

1224KEGRSOD • 24" Outdoor Keg Refrigerator • Outdoor Series

FEATURES & BENEFITS



STAINLESS SOLID (SINGLE TAP)



STAINLESS SOLID (DOUBLE TAP)

PERFORMANCE	<ul style="list-style-type: none"> • Volume of 5.6 cu ft can fit up to one 1/4 slim barrel and one 1/6 barrel, or standard 1/4 barrel • Holds up to 111 bottles (12 oz) or 165 cans (12 oz) • Digital Touch Pad Control is conveniently located on upper face of unit • Temperature range: 34°F - 45°F • Convection cooling system rapidly and efficiently takes items to the set temperature • Wi-Fi ready - Compatible with U-Line U-Connect iOS and Android app
INTERIOR/EXTERIOR	<ul style="list-style-type: none"> • White interior is illuminated with LED lighting • Two chrome plated durable wire shelves • Removable stainless steel liner protects the interior floor • Standard professional stainless steel handle is interchangeable with commercial handle accessory • Full stainless steel cabinet and door are deemed suitable for outdoor use by UL • Door swing is field reversible, and is shipped right-hand hinged • Center top plug is removed when using Tap Tower Kits • Single Tap Tower Kit and Double Tap Tower Kit accessories sold separately • Tap Tower Kits include low profile tap head(s), CO2 tank and regulator, tubing and clamps, mounting hardware, black tap handle(s), drip tray, and cleaning kit
INTEGRATION	<ul style="list-style-type: none"> • Unit is designed to be built-in or can be freestanding with the freestanding accessory kit • Four independently adjustable leveling legs provide a precise undercounter fit • May be used for indoor applications

MODEL DETAILS

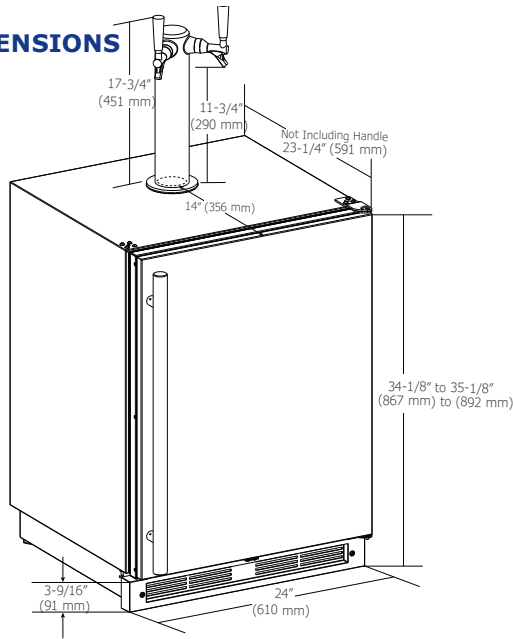
Model	Voltage/Hz	Door Swing	Finish	Shipping Weight
U-1224KEGRSOD-00A	115 / 60	Field Reversible	Stainless Solid	117 lbs

ACCESSORIES

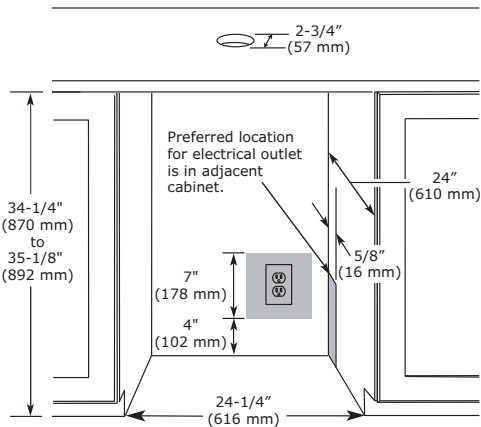
Model	Description	Finish	Shipping Weight
80-54214-00	Commercial Door Handle, 7/8" Diameter	Stainless	2 lbs
U-FSK-S	Freestanding Kit	Stainless	3 lbs
U-SINGLETAP	Single Tap Tower Kit	Stainless	20 lbs
U-DOUBLETAP	Double Tap Tower Kit	Stainless	24 lbs

Outdoor Series • Outdoor Keg Refrigerator • **1224KEGRSOD**

DIMENSIONS



CABINET CUT-OUT



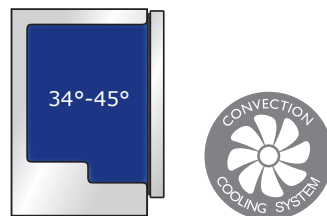
INSTALLATION NOTES

- When installing adjacent to wall, ensure 2 1/2" clearance on hinged side for 90° door opening, allowing ample room for door handle.
- Cutout includes the additional 1/4" width overall to ensure proper installation.
- No additional clearance around sides, top or rear of unit is needed for ventilation.
- Do not obstruct front grille air flow.

SPECIFICATIONS

Model	1224KEGRSOD
Amps: Running	1.2
Capacity: Bottle (12 oz)	111
Capacity: Can (12 oz)	165
Capacity: Volume (cu ft)	5.6
Control Type	Digital Touch Pad
Dimensions: Product Depth	23 1/4" / 591 mm
Dimensions: Product Height	34 1/8" / 867 mm
Dimensions: Product Width	24" / 610 mm
Energy Consumption: Avg. Per Year	240 kWh
ENERGY STAR	ENERGY STAR / Tier 3
Product Weight: Max	107 lbs
Refrigerant Type	R600a
Sabbath (Star K Certified)	Yes
Temperature Range	34°F - 45°F
Wi-Fi Capable	Yes (Production Beginning January 2017)

COOLING SYSTEM



ELECTRICAL REQUIREMENTS

This unit requires a grounded, polarized 115 VAC, 60 Hz, 15 A power supply (normal household current).

Please visit u-line.com to view this model's User Guide & Service Manual. All Specifications are subject to change without notice.

Residential

Deemed suitable for outdoor use by UL.

U-Connect
iOS & Android

Warranty