

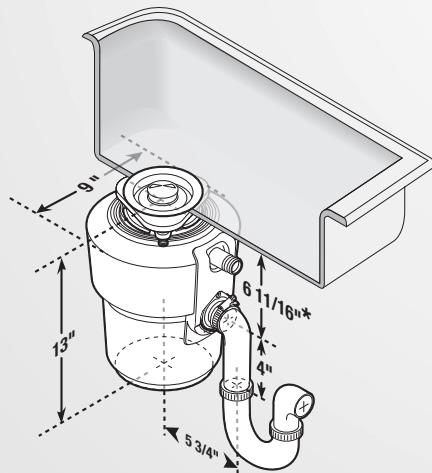
in sink erator®

Evolution Series®

Grind More. Hear Less.®

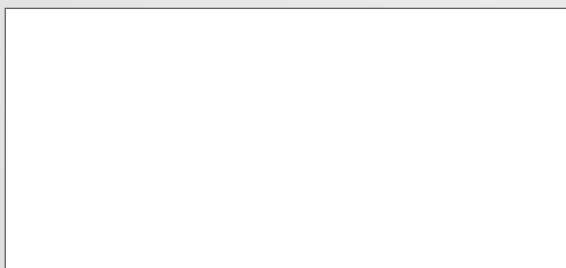


Dimensions



* Add 1/2" when stainless steel sinks are used.

Job Specifications



Food Waste Disposers

Evolution Prestige™

Ultimate performing food waste disposer.

Submittal Sheet

Ultimate performing food waste disposer.

- **SoundSeal®** technology delivers ultra-quiet performance. Hold a conversation with normal voices in the same room.
- **MultiGrind®** technology delivers 3 stages of grind vs. 1 stage in standard disposer.
- Includes Quiet Collar® sound reducing sink baffle.

Sample Specification

Food Waste Disposer(s) shall be InSinkErator Model Evolution Prestige™ with MultiGrind® and SoundSeal® technologies, 1 HP motor, Auto-Reverse Grind System®, stainless steel grind chamber and components.

Warranty:
7- Year parts and in-home service.

* The complete InSinkErator warranty is included in the Care & Use Booklet packed with each unit.

Specifications

Type of Feed	Continuous
On/Off Control	Wall Switch
Motor	Single Phase
HP	1
Volts	120
Reversing	Auto-Reverse Grind System® feature
HZ	60
RPM	1725
Amp. (Avg. Load)	10.2
Time Rating	Intermittent
Lubrication	Permanently Lubricated Upper & Lower Bearings
Shipping Weight (Approx.)	22.9 lbs.
Unit Finish	Black Enamel / Blue
Overall Height	13"
SoundSeal Technology	Anti-Vibration Mount® Anti-Vibration Tailpipe Mount™ Quiet Collar® Sink Baffle Multi-Layer SoundLimiter® Insulation
MultiGrind Technology	GrindShear Ring® Tri-Action Lug® System feature Undercutter Disk®
Grind Chamber Capacity	40 oz.
Motor Protection	Manual Reset Overload
Average Water Usage	Approx. 1 Gallon Per Person Per Day
Average Electrical Usage	3-4 KWH Per Year
Drain Connection	1-1/2" Anti-Vibration (Hose Clamp)
Dishwasher Drain Connection	Yes

MADE IN USA™ Disposers are designed and manufactured in the USA with over 80% domestic content



The mark of responsible forestry
BV-COC-080715
© 1996 Forest Stewardship Council A.C.

EMERSON™
Commercial & Residential Solutions

The Emerson logo is a trademark and service mark of Emerson Electric Co. The mounting collar configuration is a trademark of Emerson Electric Co. Quick Lock® is a registered trademark of Emerson Electric Co.

InSinkErator may make improvements and/or changes in the specifications at any time, in its sole discretion, without notice or obligation and further reserves the right to change or discontinue models.

1-800-558-5700
www.insinkerator.com