

DWD, ERWD, EWD, IWD, MRWD, MWDH, MWDV, OWD, RWDV

Document # PG02-002

Revised 01/18/12 Page 1/3

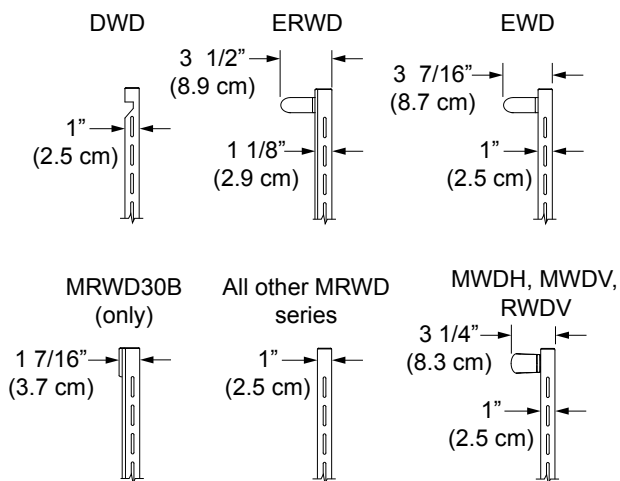


24", 27", 30", 36" Wide Warming Drawers

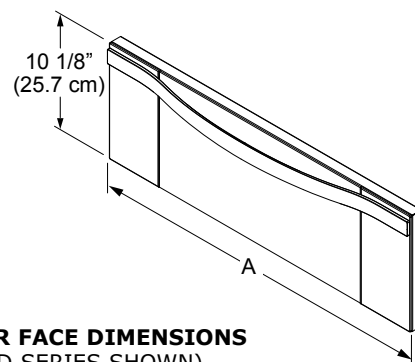
PLANNING GUIDE

Product tolerances: $\pm 1/16"$ (± 1.6 mm) unless otherwise stated

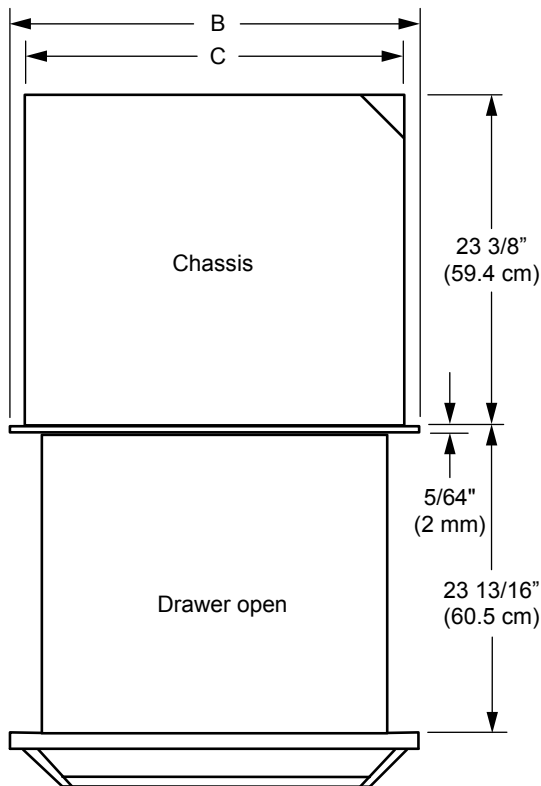
Electrical Circuit Required	Total Connected Load	Minimum Ambient Operating Temperature
120 Vac, 60 Hz, 15 Amp. grounded, dedicated circuit	4.0 Amp. @ 120 Vac, 60 Hz.	32°F (0°C)



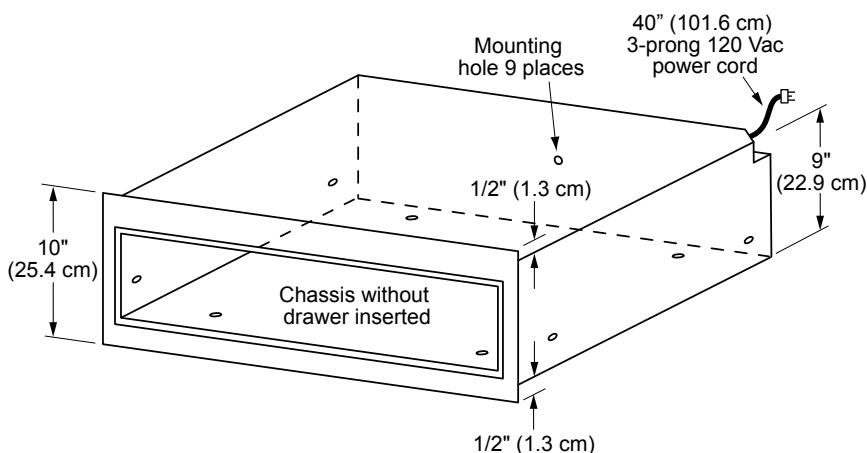
HANDLE DIMENSIONS - SIDE VIEW



DRAWER FACE DIMENSIONS (MWD SERIES SHOWN)



OVERALL DIMENSIONS - TOP VIEW (EWD SERIES SHOWN)



CHASSIS DIMENSIONS

Model	(A) Drawer Face Width	(B) Chassis Face Width	(C) Chassis Width
DWD30	30" (76.2 cm)	29 5/8" (75.2 cm)	28 1/4" (71.8 cm)
ERWD27	27" (68.6 cm)	26 5/8" (67.6 cm)	25 1/4" (64.1 cm)
ERWD30	30" (76.2 cm)	29 5/8" (75.2 cm)	28 1/4" (71.8 cm)
EWD24	24" (61.0 cm)	23 5/8" (60.0 cm)	22 1/4" (56.5 cm)
EWD27	27" (68.6 cm)	26 5/8" (67.6 cm)	25 1/4" (64.1 cm)
EWD30	30" (76.2 cm)	29 5/8" (75.2 cm)	28 1/4" (71.8 cm)
EWD36	36" (91.4 cm)	35 5/8" (90.5 cm)	34 1/4" (87.0 cm)
MRWD27	26 3/4" (67.9 cm)	26 5/8" (67.6 cm)	25 1/4" (64.1 cm)
MRWD30	29 3/4" (75.6 cm)	29 5/8" (75.2 cm)	28 1/4" (71.8 cm)
MWDH27	27" (68.6 cm)	26 5/8" (67.6 cm)	25 1/4" (64.1 cm)
MWDH30	30" (76.2 cm)	29 5/8" (75.2 cm)	28 1/4" (71.8 cm)
MWDV27	27" (68.6 cm)	26 5/8" (67.6 cm)	25 1/4" (64.1 cm)
MWDV30	30" (76.2 cm)	29 5/8" (75.2 cm)	28 1/4" (71.8 cm)
RWDV30	30" (76.2 cm)	29 5/8" (75.2 cm)	28 1/4" (71.8 cm)

WARMING DRAWER OVERALL DIMENSIONS

DWD, ERWD, EWD, IWD, MRWD, MWDH, MWDV, OWD, RWDV

Document # PG02-002

Revised 01/18/12 Page 2/3

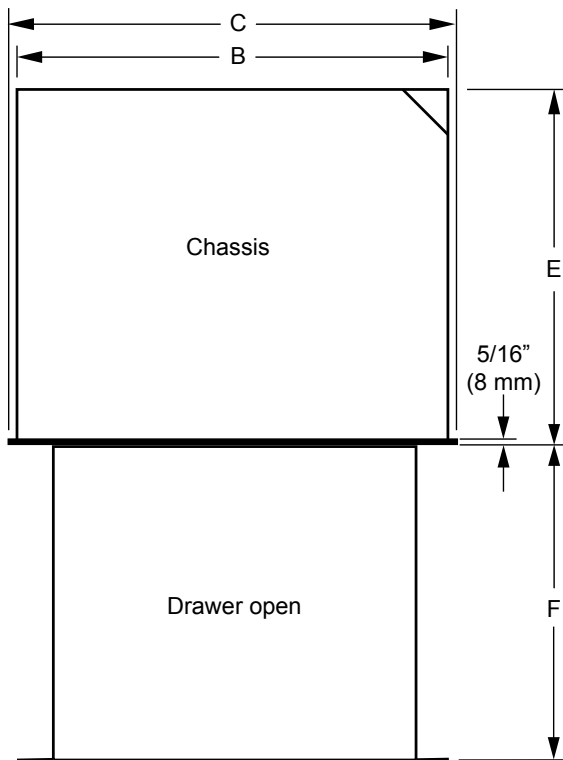


24", 27", 30", 36" Wide Warming Drawers

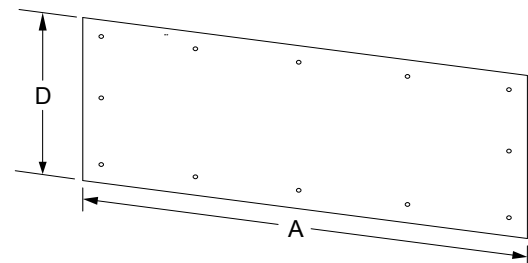
PLANNING GUIDE

Product tolerances: $\pm 1/16"$ (± 1.6 mm) unless otherwise stated

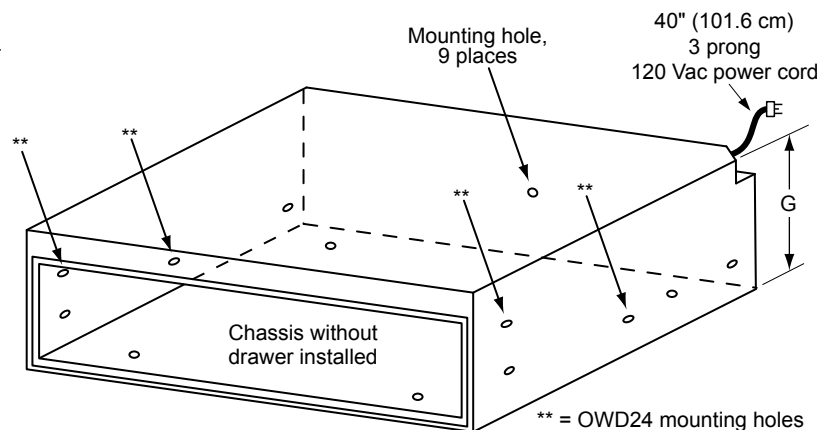
Electrical Circuit Required	Total Connected Load	Minimum Ambient Operating Temperature
120 Vac, 60 Hz, 15 Amp. grounded, dedicated circuit	4.0 Amp. @ 120 Vac, 60 Hz.	32°F (0°C)



**OVERALL DIMENSIONS - IWD/OWD SERIES
TOP VIEW**



**DRAWER FACE DIMENSIONS
(IWD/OWD SERIES SHOWN)**



**CHASSIS DIMENSIONS
(IWD/OWD SHOWN)**

Model	(A) Dimension Drawer Face Width	(B) Dimension Chassis Width	(C) Dimension Chassis Face Width	(D) Dimension Drawer Face Height	(E) Dimension Chassis Depth	(F) Dimension Drawer Depth	(G) Dimension Chassis Height
IWD24	22 5/16" (56.7 cm)	22 1/4" (56.5 cm)	22 3/8" (56.8 cm)	8 15/16" (22.7 cm)	23 3/8" (59.4 cm)	23 13/16" (60.5 cm)	9 1/16" (23.0 cm)
IWD27	25 5/16" (64.3 cm)	25 1/4" (64.1 cm)	25 3/8" (64.5 cm)				
IWD30	28 5/16" (71.9 cm)	28 1/4" (71.8 cm)	28 3/8" (72.1 cm)				
OWD24	22 1/2" (57.1 cm)	22 1/2" (57.1 cm)	22 1/2" (57.1 cm)	11 7/8" (30.2 cm)	20" (50.8 cm)	18" (45.7 cm)	11 7/8" (30.2 cm)

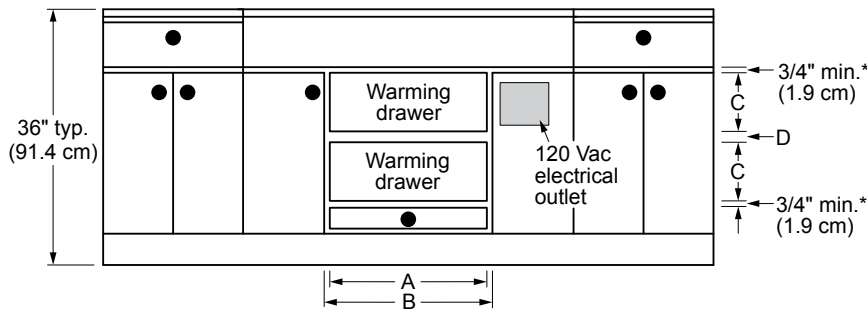
DWD, ERWD, EWD, IWD, MRWD, MWDH, MWDV, OWD, RWDV



24", 27", 30", 36" Wide Warming Drawers

PLANNING GUIDE

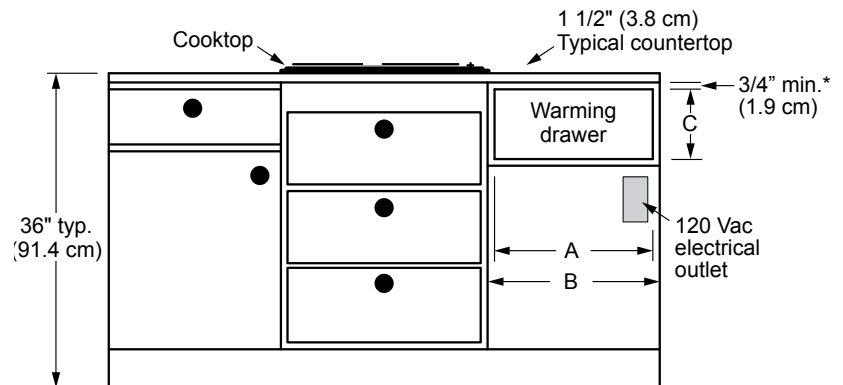
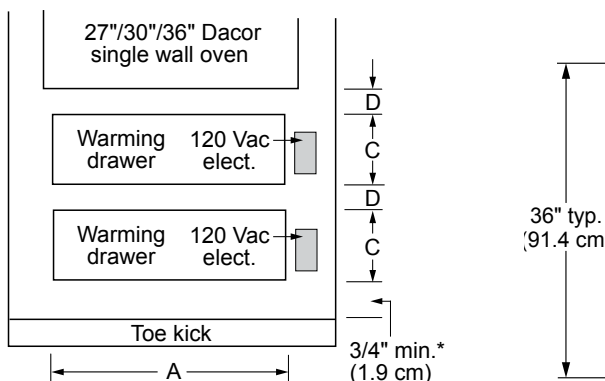
Cabinet/countertop tolerances: +1/16" (+1.6 mm), -0 unless otherwise stated



⚠ WARNING

- Observe all governing codes and ordinances during planning and installation. Contact your local building department for further information.
- This appliance must be installed in accordance with the accompanying installation instructions.

Mounting platform must be 3/4" (1.9 cm) thick and support 100 lbs.



Model	(A) Cutout Width	(B) Min. Width to Adjacent Doors/ Drawers	(C) Cutout Height	(D) Min. Vertical Gap Between Cutouts	Min. Cutout Depth	
DWD30	28 1/2" (72.4 cm)	30 1/4" (76.8 cm)*	9 1/8" (23.2 cm)	1 1/4" (3.2 cm)*	24" (61.0 cm)	
ERWD27	25 1/2" (64.8 cm)	27 1/4" (69.2 cm)*	9 1/8" (23.2 cm)	1 1/4" (3.2 cm)*		
ERWD30	28 1/2" (72.4 cm)	30 1/4" (76.8 cm)*	9 1/8" (23.2 cm)	1 1/4" (3.2 cm)*		
EWD24	22 1/2" (57.2 cm)	24 1/4" (61.6 cm)*	9 1/8" (23.2 cm)	1 1/4" (3.2 cm)*		
EWD27	25 1/2" (64.8 cm)	27 1/4" (69.2 cm)*	9 1/8" (23.2 cm)	1 1/4" (3.2 cm)*		
EWD30	28 1/2" (72.4 cm)	30 1/4" (76.8 cm)*	9 1/8" (23.2 cm)	1 1/4" (3.2 cm)*		
EWD36****	34 1/2" (87.6 cm)	36 1/4" (92.1 cm)*	9 1/8" (23.2 cm)	NA		
IWD24	22 1/2" (57.2 cm)	**	9 1/8" (23.2 cm)	1 1/16" (2.7 cm)		
IWD27	25 1/2" (64.8 cm)	**	9 1/8" (23.2 cm)	1 1/16" (2.7 cm)		
IWD30	28 1/2" (72.4 cm)	**	9 1/8" (23.2 cm)	1 1/16" (2.7 cm)		
MRWD27	25 1/2" (64.8 cm)	27" (68.6 cm)*	9 1/8" (23.2 cm)	1 1/4" (3.2 cm)*		
MRWD30	28 1/2" (72.4 cm)	30" (76.2 cm)*	9 1/8" (23.2 cm)	1 1/4" (3.2 cm)*		
MWDH27	25 1/2" (64.8 cm)	27 1/4" (69.2 cm)*	9 1/8" (23.2 cm)	1 1/4" (3.2 cm)*		
MWDH30	28 1/2" (72.4 cm)	30 1/4" (76.8 cm)*	9 1/8" (23.2 cm)	1 1/4" (3.2 cm)*		
MWDV27	25 1/2" (64.8 cm)	27 1/4" (69.2 cm)*	9 1/8" (23.2 cm)	1 1/4" (3.2 cm)*		
MWDV30	28 1/2" (72.4 cm)	30 1/4" (76.8 cm)*	9 1/8" (23.2 cm)	1 1/4" (3.2 cm)*		
OWD24****	22 5/8" (57.5 cm)	24 1/4" (61.6 cm)***	11 15/16" (30.3 cm)	NA		20 1/8" (51.1 cm)
RWDV30	28 1/2" (72.4 cm)	30 1/4" (76.8 cm)*	9 1/8" (23.2 cm)	1 1/4" (3.2 cm)*		24" (61.0 cm)

* Bare minimum spacing to allow for ventilation and avoid scraping on DWD, ERWD, EWD, MRWD, MWDH, MWDV and RWDV series models.

** On IWD series models or OWD24 without the optional front panel kit: The chassis and the drawer faceplate are smaller than the cutout. The custom front panel mounts to the drawer faceplate. The height and width of the custom front panel must exceed the appropriate cutout dimensions (A and C above) to cover the hole. Allow 1/4" minimum additional space on the top, bottom and sides from the custom front panel edge to prevent scraping against adjacent doors, drawers and the countertop.

*** OWD24 with optional factory front panel kit only. Bare minimum spacing shown to avoid scraping. Gap above and below cutout is 3/4" minimum. See ** above for OWD24 with custom front panel.

**** Model EWD36 cannot be installed above or below another warming drawer (any type).

***** Model OWD24 cannot be installed above, below or adjacent to a wall oven or warming drawer (any type).

