

# **Installation Guide**

**Range/Rangetop Rear Island Trim / Backguard / High Shelf Accessories  
Range Curb Base Fronts**

# Rear Trim Accessories

<b>MODELS</b>	<b>BACKGUARD</b>	<b>HIGH SHELF</b>	<b>CURB BASE</b>
C/VGCC530 C/VDSC530 C/VESC530 C/VISC530 C/VGRT530	P30BG8SS	B30HS24SS	P30CBF4SS
C/VGCC536 C/VDSC536 C/VGRT536	P36BG8SS	B36HS24SS	P36CBF4SS
C/VGCC548 C/VDSC548 C/VGRT548	P48BG8SS	B48HS24SS	P48CBF4SS
C/VGCC560 C/VDSC560 C/VGRT530	P601BG8SS	B60HS24SS	P60CBF4SS
C/RVGR3301 C/RVDR3301 C/RVER3301	RD301BG6SS	N/A	P30CBF4SS

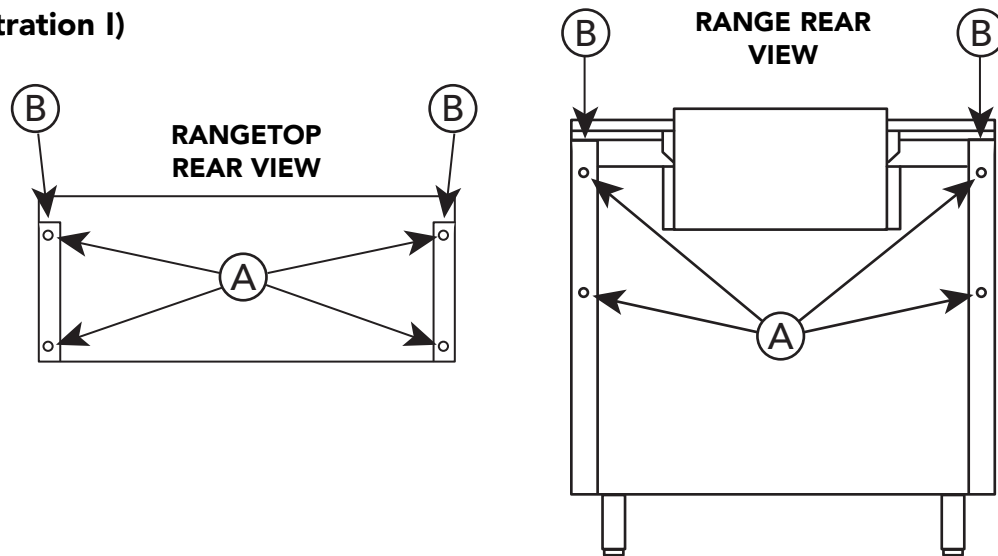
# Rear Trim Accessories

All rear trim devices are installed in the same basic way.

## ATTACHING REAR TRIM (Illustration I)

Grasp the trim on each end and carefully place in the channels (B) located at each rear corner of the product. Align the screw holes (A) at each end of the trim device with the holes (A) in each rear channel of the product. Secure with the 4 enclosed screws.

(Illustration I)



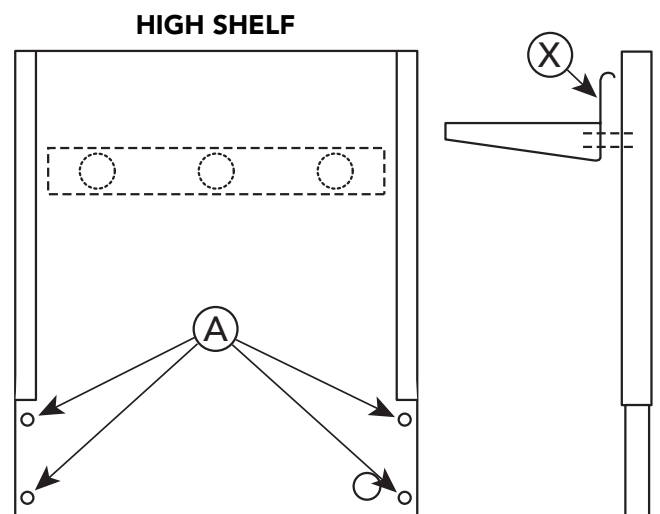
## ATTACHING SHELF ON HIGH-SHELF (Illustration II)

Place the top rolled edge (X) over the front lip of the high-shelf back trim and secure with the 4 enclosed screws, two at each end.

**⚠ WARNING**

To reduce the risk of fire or injury to persons, check to make sure all packaging has been removed from the outside and inside parts of the rear trim device before installing. **MAKE SURE ALL CORRUGATED MATERIAL IS REMOVED FROM INSIDE THE HIGH SHELF.**

(Illustration II)

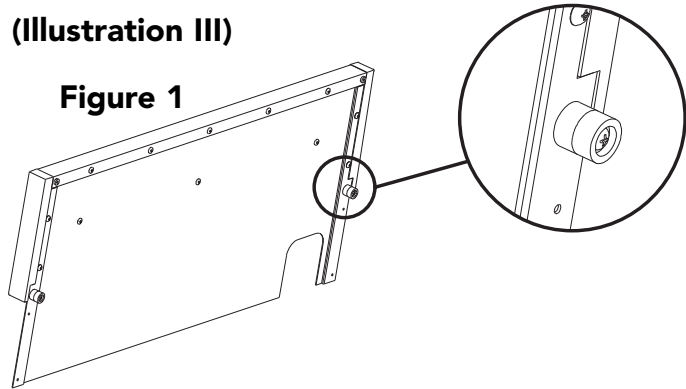


# Rear Trim Accessories

## ATTACHING BACKGUARD (Illustration III)

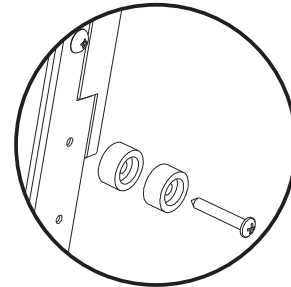
Backguards come equipped with Nylon Spacers (See **Figure 1**), which are needed to space the range off a combustible wall a prescribed safe distance.

(Illustration III)



**Figure 1**

**Note: If the back wall is Non-Combustible, these spacers can be removed. (See Figure 2)**



**Figure 2**

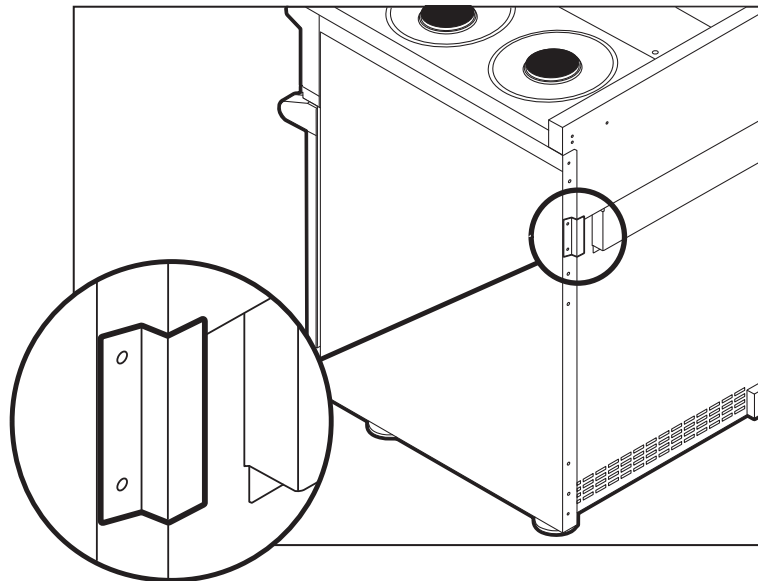
These spacers can also be removed if used with any of the models\* listed below:

- C/VGCC530
- C/VDSC530
- C/VDSC536
- C/VGRT530
- C/VGRT536

**\*If you have one of these models, the spacers are not required, even if with a combustible wall.**

C/VGCC560 ranges require that two 1" standoff spacers be attached to the back of the range when using a range with a backguard against a combustible surface. (See **Figure 3**)

**Figure 3**

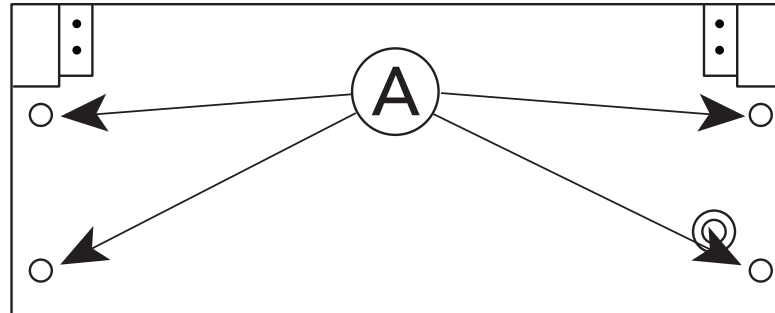


Once you determine whether or not your product needs the provided spacers, the backguard is ready to be attached. Simply slide the backguard down onto the rear of the unit behind the spacers and attach using the (4) screws provided. (See **Figure 4**)

# Rear Trim Accessories

## ATTACHING ISLAND TRIM

Figure 4



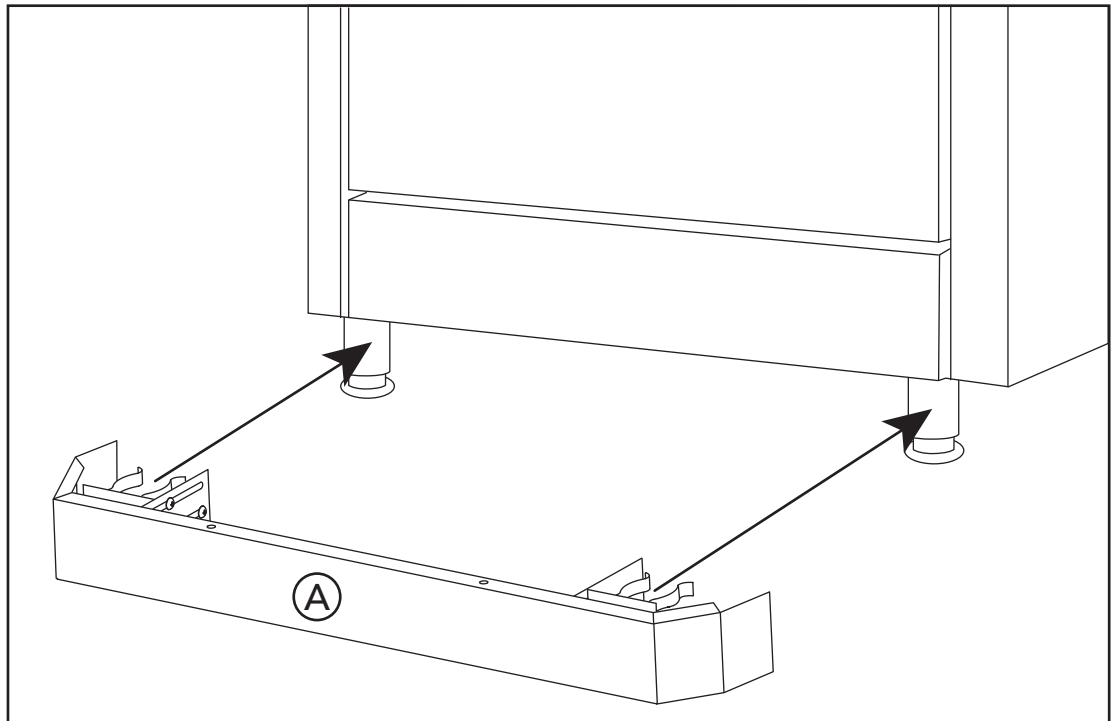
### **IMPORTANT: USE OF ISLAND TRIM WITH AND WITHOUT 6" (15.2 CM) CLEARANCE.**

Normal installation for island trim on either a range or rangetop is in an island/peninsula or where there is a minimum clearance of 6"(15.2 cm) to any type of wall at the rear of the unit. Ranges and rangetops with an island trim installation can be installed at zero clearance to the rear wall as long as the wall is non-combustible. The responsibility for ensuring that the rear wall is non-combustible and heat resistant lies with the individual owner and/or end user. Only in those cases where the island trim is installed with 6" (15.2 cm) of minimum clearance to a rear wall, or when a truly non-combustible material is used, will the warranty apply. In no case will Viking Range, LLC accept responsibility for any claims which may result from heat damage against a rear wall, including cosmetic damage. It is the total responsibility of the owner/end user to ensure that the material utilized in such applications is not only non-combustible, but is also truly heat-resistant.

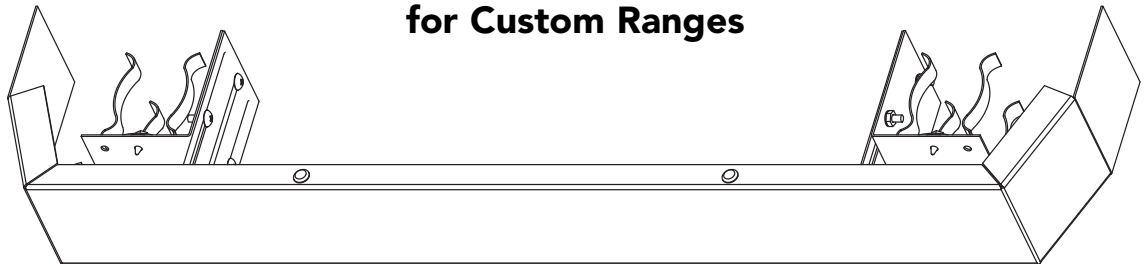
# Curb Bases

## STANDARD CURB BASE FRONT

1. The standard curb base front (A) is completely assembled.
2. Remove the assembly from the carton and simply clip onto the front range legs.
3. The assembly is adjustable about 2" (5.1 cm) front to back so that alignment with the cabinet toe front is possible. Loosen brackets on each side, **but allow snug fit**. Clip assembly onto range legs; determine front to back setting; remove, tighten bolts, and reattach.



## Alternate Curb Base View for Custom Ranges



**Important Note:** The range must be installed as specified in the range installation guide for proper airflow when using the standard curb base.

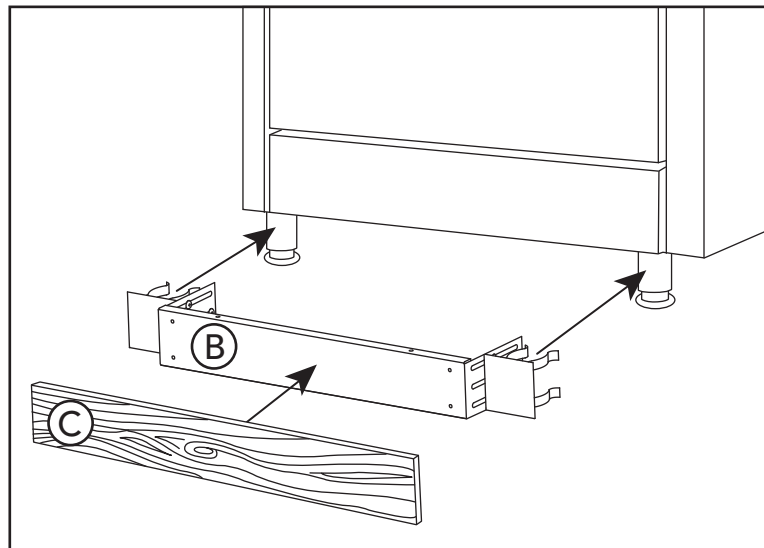
# Curb Bases

## CUSTOM CURB BASE FRONT

1. Remove the standard curb base front assembly from the carton.
2. Remove the front (A) from the mounting assembly (B).
3. Attach locally supplied front (C) to the mounting assembly (B) and simply clip onto the front range legs.

**Important Note:** The locally supplied front must not be any taller than 3-1/8" (7.9 cm) tall. Fronts taller than 3-1/8" (7.9 cm) could obstruct the airflow.

4. The assembly is adjustable about 2" (5.1 cm) front to back so that alignment with the cabinet toe front is possible. Loosen brackets on each side, **but allow snug fit**. Clip assembly onto range legs; determine front to back setting; remove, tighten bolts, and reattach.



**Important Note:** The range must be installed as specified in the range installation guide for proper airflow when using the custom curb base.

Viking Range, LLC  
111 Front Street  
Greenwood, Mississippi 38930 USA  
(662) 455-1200

For product information  
call 1-888-845-4641