

The Danby logo is presented in a bold, black, sans-serif font. It is contained within a white oval that has a subtle drop shadow, giving it a three-dimensional appearance. The oval is set against a dark grey horizontal band that spans the width of the page.

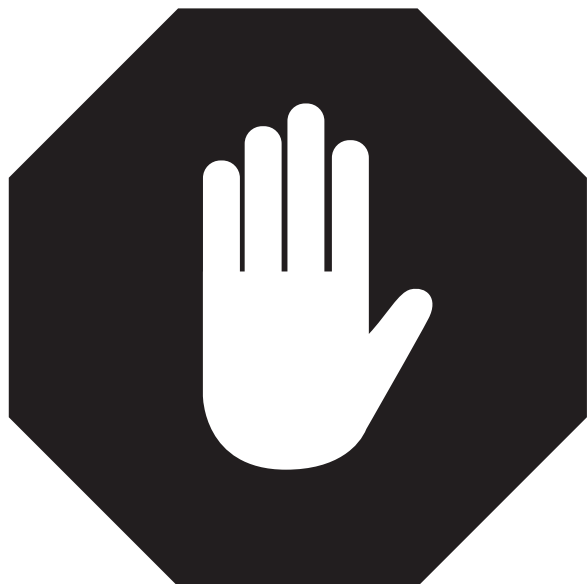
Danby

OWNER'S USE AND CARE GUIDE
GUIDE D'UTILISATION ET D'ENTRETIEN
GUÍA DE UTILIZACIÓN Y CUIDADO PARA EL PROPIETARIO

MICROWAVE
FOUR À MICRO-ONDES
HORNO DE MICROONDAS

MODEL • MODÈLE • MODELO
DMW12A4BDB / DMW12A4SDB
DMW12A4WDB / DMW14A4SDB





**1-800-263-2629
(1-800-26-DANBY)**

**DO NOT RETURN THIS UNIT TO THE RETAILER
WITHOUT FURTHER INSTRUCTIONS**

Dear valued customer, we hope your Danby product purchase fulfills all your requirements. Your satisfaction is our priority!
Please contact us at our toll free consumer service number for any inquiries you may have about your new unit.

**NE PAS RETOURNER CET APPAREIL CHEZ LE
DÉTAILLANT SANS CONSIGNES SUPPLÉMENTAIRES**

Cher(ère) client(e) important(e), nous espérons que votre produit Danby répond à tous vos besoins. Votre satisfaction est notre priorité!
Veuillez nous contacter au numéro gratuit de service après-vente, si vous avez des questions quelconques à propos de votre nouvel appareil.

**NO DEVUELVA ESTA UNIDAD A LA TIENDA SIN
INSTRUCCIONES ADICIONALES**

Estimado cliente, esperamos que el producto Danby que ha comprado satisfaga completamente sus necesidades. Su satisfacción es nuestra prioridad!
Por favor, contáctenos gratuitamente a nuestro número de Servicio al Cliente para cualquier pregunta que tenga sobre su nuevo electrodoméstico.



TO OBTAIN WARRANTY SERVICE YOU MUST PROVIDE A VALID PROOF OF PURCHASE. PLEASE STAPLE YOUR RECEIPT TO THIS PAGE FOR FUTURE REFERENCE.

POUR OBTENIR LE SERVICE SUR GARANTIE, VOUS DEVEZ FOURNIR UNE PREUVE D'ACHAT VALIDE. VEUILLEZ AGRAFER VOTRE REÇU À CETTE PAGE POUR RÉFÉRENCE FUTURE.

PARA OBTENER SERVICIO DE GARANTÍA, DEBE PROVEER UN RECIBO ORIGINAL. POR FAVOR ENGRAPE SU RECIBO A ÉSTA PÁGINA EN CASO QUE NECESITE HACER UN RECLAMO.

IMPORTANT - GROUNDING METHOD

This product is factory equipped with a power supply cord that has a three-pronged grounded plug. It must be plugged into a mating grounding type receptacle in accordance with the National Electrical Code and applicable local codes and ordinances. If the circuit does not have a grounding type receptacle, it is the responsibility and obligation of the customer to exchange the existing receptacle in accordance with the National Electrical Code and applicable local codes and ordinances. The third ground prong should not, under any circumstances, be cut or removed. Never use the cord, the plug or the appliance when they show any sign of damage. Do not use your appliance with an extension cord unless it has been checked and tested by a qualified electrician or electrical supplier.

IMPORTANT - MÉTHODE POUR LA MISE À LA TERRE

Ce produit arrive d'origine avec un cordon d'alimentation équipé d'une prise à trois fiches. Il doit être branché dans une prise avec une fiche de mise à la terre en conformité avec le Code national de l'électricité et les codes et règles locaux applicables. Si la prise murale n'a pas de mise à la terre, il est de la responsabilité et l'obligation du client de changer la prise existante pour la rendre conforme au Code national de l'électricité et aux codes et règles locaux applicables. La fiche de mise à la terre ne doit pas, en aucune circonstance, être coupée ou retirée. Si vous apercevez des signes de dommage, n'utilisez jamais le cordon d'alimentation, la prise ou l'appareil. N'utilisez jamais l'appareil avec une rallonge sauf si elle a été vérifiée et testée par un électricien qualifié ou un fournisseur de matériel électrique.

IMPORTANTE- MÉTODO DE CONEXIÓN A TIERRA

Este producto viene equipado con un cable eléctrico que tiene un enchufe de tres patas conexión a tierra. Este debe colocarse en una toma de corriente con conexión a tierra de acuerdo con el Código nacional de electricidad y códigos y ordenanzas locales correspondientes. Si el circuito no cuenta con una toma de corriente con conexión a tierra, es responsabilidad y obligación del cliente sustituir la toma de corriente actual de acuerdo con el Código nacional de electricidad u códigos u ordenanzas locales correspondientes. Bajo ninguna circunstancia se debe cortar o eliminar la tercera pata de conexión a tierra. Nunca utilice el cable, el enchufe o el artefacto cuando muestre un signo de daño visible. No utilice el artefacto con una extensión salvo que un proveedor eléctrico o electricista calificado la inspeccione y la pruebe.

CONTENTS

TABLE DES MATIÈRES

ÍNDICE

MICROWAVE

Owner's Use and Care Guide2-15

- Welcome
- Important Safety Information
- Features
- Installation Instructions
- Operation Instructions
- Care and Maintenance
- Troubleshooting
- Warranty

FOUR À MICRO-ONDES

Guide d'utilisation et d'entretien du propriétaire....16-29

- Bienvenue
- Consignes de sécurité importantes
- Caractéristiques
- Consignes d'installation
- Consignes d'utilisation
- Soins et entretien
- Dépannage
- Garantie

HORNO DE MICROONDAS

Guía de utilización y cuidado para el propietario..30-43

- Bienvenido
- Información importante sobre seguridad
- Características
- Instrucciones de instalación
- Instrucciones de funcionamiento
- Cuidado y mantenimiento
- Solución sugerida
- Garantía



WARNING

Improper connection of the grounding plug can result in risk of fire, electric shock and/or injury to persons associated with the appliance. Check with a qualified service representative if in doubt that the appliance is properly grounded.



AVERTISSEMENT

Une fiche de mise à la terre mal branchée peut entraîner un risque d'incendie, de choc électrique ou de blessures aux personnes qui utilisent l'appareil. Si vous n'êtes pas certain que l'appareil est correctement mis à la terre, consultez un préposé du service qualifié.



ADVERTENCIA

Una instalación inadecuada de la conexión a tierra puede dar como resultado un riesgo de incendio, descarga eléctrica o lesiones a las personas asociadas con el artefacto. Verifique con un representante calificado de servicio en caso de dudas sobre si el artefacto tiene una buena conexión a tierra.



Model • Modèle • Modelo

DMW12A4BDB / DMW12A4SDB / DMW12A4WDB / DMW14A4SDB

Thank you for choosing Danby

We know you're excited. We are too! However, the more familiar you are with your new appliance, the better experience you will have. We therefore strongly suggest that you **read this Owner's Manual before plugging in your new appliance**. It contains important operational information that will help you make full use of the technical features available in your Danby appliance. The manual also contains information designed to enhance operating reliability and safety, as well as tips to maintaining your new appliance so that it brings you happiness for years to come.

Please visit www.danby.com to access self-service tools, FAQs and more. Should you need additional assistance, please call 1-800-26-DANBY (1-800-263-2629).

**Note: You will need the below information to obtain service under warranty.
To receive service, you must provide the original receipt.**

Model Number: _____

Serial Number: _____

Date of Purchase: _____

NEED HELP?

Before you call for service, here are a few things you can do to help us serve you better:

Read this Owner's Manual:

It contains instructions to help you use and maintain your appliance properly.

If you received a damaged appliance:

Immediately contact the retailer (or builder) that sold you the appliance.

Save time and money:

Check the Troubleshooting section at the end of the guide before calling. This section helps you solve common problems that may occur.

If you do need service, you can relax, knowing help is only a phone call away.



1-800-26-**Danby**
(1-800-263-2629)



IMPORTANT SAFETY INFORMATION

READ AND FOLLOW ALL SAFETY INSTRUCTIONS

FEDERAL COMMUNICATIONS COMMISSION RADIO FREQUENCY INTERFERENCE STATEMENT (U.S.A. ONLY)

This equipment generates and uses ISM frequencies and if not installed and used properly, that is in strict accordance with the manufacturer's instructions, may cause interference to radio and television reception. It has been type-tested and found to comply with limits for ISM Equipment pursuant to Part 18 of FCC Rules, which are designed to provide reasonable protection against such interference in a residential installation.

However, there is no guarantee that interference will not occur in particular installations. If this equipment does cause interference to radio or television reception, which can be determined by turning the equipment off and on, the user is encouraged to try to correct the interference by one or more of the following:

- Reorient the receiving antenna of radio or television.
- Relocate the microwave oven with respect to the receiver.
- Move the microwave oven away from the receiver.
- Plug the microwave into a different outlet so that microwave and receiver are on different branch circuits.



The Manufacturer is not responsible for any radio or TV interference caused by UNAUTHORIZED MODIFICATION to this microwave oven. It is the responsibility of the user to correct such interference.

This ISM device complies with Canadian ICES-001.

PRECAUTIONS TO AVOID POSSIBLE EXPOSURE TO EXCESSIVE MICROWAVE ENERGY

For your safety the information in this manual must be followed to minimize the risk of fire or explosion or to prevent property damage, personal injury or loss of life.

Do not attempt to operate this oven with the door open since open-door operation can result in harmful exposure to microwave energy. It is important not to defeat or tamper with the safety interlocks.

Do not place any object between the oven front face and the door, or allow soil or cleaner residue to accumulate on sealing surfaces.

Do not operate the oven if it is damaged. It is particularly important that the oven door close properly and that there is no damage to the:

1. door (bent),
2. hinges and latches (broken or loosened),
3. door seals and sealing surfaces.

The **oven should not** be adjusted or repaired by anyone except properly qualified service personnel.

SAVE THESE INSTRUCTIONS!



IMPORTANT SAFETY INSTRUCTIONS

READ AND FOLLOW ALL SAFETY INSTRUCTIONS

IMPORTANT WARNING

This unit needs to operate on its own dedicated 15 amp circuit. PLEASE DO NOT CONNECT ANYTHING ELSE TO THIS CIRCUIT.

IMPORTANT WARNING

To reduce the risk of fire, electric shock or injury to persons or exposure of excessive microwave energy when using your appliance, please adhere to the following instructions:

1. Read all instructions before using the appliance.
2. Read and follow the specific "PRECAUTIONS TO AVOID POSSIBLE EXPOSURE TO EXCESSIVE MICROWAVE ENERGY."
3. This appliance must be grounded. Connect only to properly grounded outlet. See "GROUNDING INSTRUCTIONS."
4. Install or locate this appliance only in accordance with the provided installation instructions.
5. Some products such as whole eggs and sealed containers -for example, closed glass jars- are able to explode and should not be heated in this oven.
6. Use this appliance only for its intended use as described in this manual. Do not use corrosive chemicals or vapors in this appliance. This type of oven is specifically designed to heat, cook, or dry food. It is not designed for industrial or laboratory use.
7. As with any appliance, close supervision is necessary when used by children.
8. To reduce the risk of fire in the oven cavity:
 - Do not overcook food. Carefully attend appliance when paper, plastic, or other combustible materials are placed inside the oven to facilitate cooking.
 - Remove wire twist-ties from paper or plastic bags before placing bag in oven.
 - If materials inside the oven should ignite, keep oven door closed, turn oven off, and disconnect the power cord or shut off power at the fuse or circuit breaker panel.
 - Do not use the cavity for storage purposes. Do not leave paper products, cooking utensils or food in the cavity when not in use.
9. Liquids, such as water, coffee, or tea are able to be overheated beyond the boiling point without appearing to be boiling due to the surface tension of the liquid. Visible bubbling or boiling when the container is removed from the microwave oven is not always present. **THIS COULD RESULT IN VERY HOT LIQUIDS SUDDENLY BOILING OVER WHEN A SPOON OR OTHER UTENSIL IS INSERTED INTO THE LIQUID.** To reduce the risk of injury to persons:
 - Do not overheat the liquid.
 - Stir the liquid both before and halfway through heating it.
 - Do not use straight-sided containers with narrow necks.
 - After heating, allow the container to stand in the microwave oven for a short time before removing the container.
 - Use extreme care when inserting a spoon or other utensil into the container.
10. Do not heat oil or fat for deep-frying. It is difficult to control the temperature of oil in a microwave oven.
11. Pierce foods with heavy skins such as potatoes, whole squash, apples and chestnuts before cooking.
12. The contents of feeding bottles and baby jars should be stirred or shaken and the temperature should be checked before serving in order to avoid burns.
13. Cooking utensils may become hot because of heat transferred from the heated food. Oven mitts may be needed to handle the utensil.
14. Do not cover or block any openings on the appliance.
15. Do not store or use this appliance outdoors. Do not use this product near water, for example, near a kitchen sink, in a wet basement, near a swimming pool, or similar locations.
16. Do not operate this appliance if it has a damaged cord or a plug, if it is not working properly or if it has been damaged or dropped.
17. Do not immerse the cord or plug in water. Keep the cord away from heated surfaces. Do not let the cord hang over the edge of a table or counter.
18. Use only thermometers, which are specifically designed for use in microwave ovens.
19. Do not operate any heating or cooking appliance beneath this appliance.
20. Be certain that the glass tray and roller rings are in place when you operate the oven.
21. This appliance should be serviced only by qualified service personnel. Contact the nearest authorized service facility for examinations, repair, or adjustment.
22. When cleaning surfaces of the door and the oven that come together when the door is closed, use only mild, non-abrasive soaps or detergents, applied with a sponge or soft cloth.

SAVE THESE INSTRUCTIONS!



IMPORTANT SAFETY INSTRUCTIONS

SPECIAL NOTES ABOUT MICROWAVING

ARCING

If you see arcing, press the “STOP” button and correct the problem. Arcing is the microwave term for sparks in the oven.

Arcing is caused by:

- Metal or foil touching the side of the oven.
- Foil not molded to food (upturned edges act like antennae).
- Metal, such as twist-ties, poultry pins, or gold-rimmed dishes, in the microwave.
- Recycled paper towels containing small metal pieces being used in the microwave.

FOODS

- Only cook popcorn in your microwave oven using a special microwave popcorn accessory dish, unless you use popcorn labeled for use in microwave ovens.
- Some products- such as whole eggs (with shell), sealed containers, and closed jars - will explode and should not be heated in this microwave oven. Heating these products in the microwave oven could result in injury.
- Do not boil eggs in a microwave oven. Pressure will build up inside egg yolk and will cause it to burst, possibly resulting in injury.
- Operating the microwave with no food inside may cause damage to the oven and could start a fire. It increases the heat around the magnetron and can shorten the life of the oven.
- Foods with unbroken outer “skin” such as potatoes, hot dogs, sausages, tomatoes, apples, chicken livers and other giblets, and egg yolks should be pierced to allow steam to escape before cooking.

SAFETY FACT

- Microwaved water and other liquids do not always bubble when they reach the boiling point; they can actually get superheated and not bubble at all. Superheated liquid can bubble up when it is moved or when something like a spoon or tea bag is put into it. To prevent this from happening and causing injury, do not heat any liquid for more than 2 minutes per cup. After heating, let the cup stand in the microwave for 30 seconds before moving it or putting anything into it.
- Avoid heating baby food in glass jars, even with the lid off. Make sure all infant food is thoroughly cooked. Stir food to distribute the heat evenly. Be careful to prevent scalding when warming formula. The container may feel cooler than the milk really is. Always test the milk before feeding the baby.
- Spontaneous boiling- Under certain circumstances, liquids may start to boil during or shortly after removal from the microwave oven. To prevent burns from splashing liquid, we recommend the following:

Before removing the container from the oven, allow the container to stand in the oven for 30 to 40 seconds. Do not boil liquids in narrow-necked containers such as soft drink bottles and especially narrow-necked coffee cups. Even if the container is opened, excessive steam can build up and cause it to burst or overflow.
- Don't defrost frozen beverages in narrow-necked bottles (especially carbonated beverages). Even if the container is opened, pressure can build up. This can cause the container to burst, possibly resulting in injury.
- Hot foods and steam can cause burns. Be careful when opening any containers of hot food, including popcorn bags, cooking pouches and boxes. To prevent possible injury, direct steam away from hands and face.
- Do not overcook potatoes. They could dehydrate and catch fire, causing damage to your oven.
- Cook meat and poultry thoroughly- meat to at least an INTERNAL temperature of 160°F (71.1°C), and poultry to at least an INTERNAL temperature of 180°F (82.2°C). Cooking to these temperatures usually protects against food borne illness.



IMPORTANT SAFETY INFORMATION

SPECIAL NOTES ABOUT MICROWAVING

PERMISSIBLE MATERIALS

CAUTION: PERSONAL INJURY HAZARD

Tightly-closed containers could explode. Closed containers should be opened and plastic pouches should be pierced before cooking.

This section lists which utensils can be used in the microwave, which ones have limited use for short periods, and which ones should not be used in the microwave.

RECOMMENDED

Microwave browning dish — Use to brown the exterior of small items such as steaks, chops, or pancakes. Follow the directions provided with your browning dish.

Microwaveable plastic wrap — Use to retain steam. Leave a small opening for some steam to escape and avoid placing it directly on the food.

Paper towels and napkins — Use for short-term heating and covering; these absorb excess moisture and prevent spattering. Do not use recycled paper towels, which may contain metal and could ignite.

Glass and glass-ceramic bowls and dishes — Use for heating or cooking.

Paper plates and cups — Use for short-term heating at low temperatures. Do not use recycled paper, which may contain metal and could ignite.

Wax paper — Use as a cover to prevent spattering.

Thermometers — Use only those labeled “Microwave Safe” and follow all directions. Check the food in several places. Conventional thermometers may be used on microwave food once the food has been removed from the oven.

LIMITED USE

Aluminum foil — Use narrow strips of foil to prevent overcooking of exposed areas. Using too much foil can damage your oven, so be careful. You should keep a distance of 1 inch (2.54 cm) between the aluminum foil and the microwave cavity.

Ceramic, porcelain, and stoneware — Use these if they are labeled “Microwave Safe.” If they are not labeled, test them to make sure they can be used safely.

Plastic — Use only if labeled “Microwave Safe”. Other plastics can melt.

NOT RECOMMENDED

Glass jars and bottles — Regular glass is too thin to be used in a microwave. It can shatter and cause damage and injury.

Paper bags — These are a fire hazard, except for popcorn bags that are designed for microwave use.

Styrofoam plates and cups — These can melt and leave an unhealthy residue on food.

Plastic storage and food containers — Containers such as margarine tubs can melt in the microwave.

Metal utensils — These can damage your oven. Remove all metal before cooking.

Note:

Should you wish to check if a dish is safe for microwaving, place the empty dish in the oven and microwave on HIGH for 30 seconds. A dish which becomes very hot should not be used.



IMPORTANT SAFETY INFORMATION

READ AND FOLLOW ALL SAFETY INSTRUCTIONS

GROUNDING INSTRUCTIONS

DANGER: ELECTRIC SHOCK HAZARD

Touching some of the internal components can cause serious injury or death. DO NOT disassemble this appliance.

WARNING: ELECTRIC SHOCK HAZARD

Improper grounding can result in electric shock. Do not plug unit into an outlet until the appliance is properly grounded.

Three- pronged (grounding) plug



This appliance must be grounded. In the event of an electrical short circuit, grounding reduces the risk of electric shock by providing an escape wire for the electric current. This appliance comes with a cord that is equipped with a grounding wire and grounding plug. The plug must be plugged into an outlet that is properly installed and grounded.

Consult a qualified electrician or serviceworker if the grounding instructions are not completely understood or if doubt exists as to whether the appliance is properly grounded. If it is necessary to use an extension cord, use only a 3-wire extension cord that has a 3-pronged grounding plug, and a 3-slot receptacle that will accept the plug on the appliance. The marked rating of the extension cord shall be equal to or greater than the electrical rating of the appliance.

A short power-supply cord is provided to reduce the risks resulting from becoming entangled in or tripping over a longer cord.

Longer cord sets or extension cords are available and may be used if care is exercised in their use.

If a long cord set or extension cord is used:

1. The marked electrical rating of the cord set or extension cord should be at least as great as the electrical rating of the appliance
2. The extension cord must be a grounding type 3 wire cord, and;
3. The cord should be arranged so that it will not drape over the countertop or tabletop where it could be pulled on by children or tripped over unintentionally.

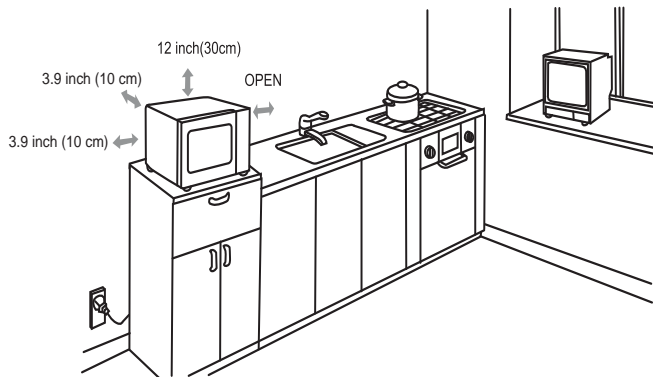
Model:	DMW12A4BDB / DMW12A4SDB / DMW12A4WDB
Rated voltage:	120V ~ 60 Hz
Rated output power:	1200W
Rated input power:	1650W
Oven capacity:	1.2 cu.ft.
External dimensions:	539 mm W x 300 mm H x 450 mm D (21.22" W x 11.81" H x 17.72" D)
Net weight:	17.3 kg (38.1 lbs)

Model:	DMW14A4SDB
Rated voltage:	120V ~ 60 Hz
Rated output power:	1200W
Rated input power:	1650W
Oven capacity:	1.4 cu.ft.
External dimensions:	553 mm W x 311 mm H x 440 mm D (21.77" W x 12.24" H x 17.32" D)
Net weight:	18 kg (39.7 lbs)

INSTALLATION INSTRUCTIONS

COUNTERTOP INSTALLATION

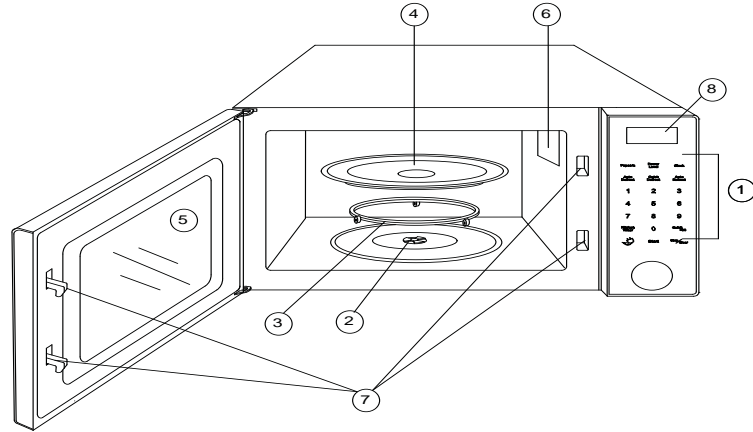
1. Make sure that all the packing materials are removed from the inside of the door or on cabinet surface. **Do not remove the light brown mica sheet that is attached to the oven cavity to protect the magnetron.**
2. Check the oven for any damage, such as a misaligned or bent door, damaged door seals and sealing surface, broken or loose door hinges and latches and dents inside the cavity or on the door. If there is any damage, do not operate the oven but contact qualified service personnel
3. This microwave oven must be placed on a flat, stable surface to hold its weight and the heaviest food likely to be cooked in the oven.
4. Do not place the oven where heat, moisture, or high humidity are generated, or near combustible materials.
5. For correct operation, the oven must have sufficient airflow. Allow 30cm of space above the oven, 10 cm at back and 10 cm at both sides (see diagram). Do not cover or block any openings on the appliance. Do not remove feet on which oven stands.
6. Do not operate the oven without glass tray, roller support, and shaft in their proper positions.
7. Make sure that the power supply cord is undamaged and does not run under the oven or over any hot or sharp surface.
8. The socket must be readily accessible so that it can be easily unplugged in an emergency. The socket must have the same voltage and frequency as the rating label of the appliance.
9. Place the microwave oven away from radios and tvs to avoid interference.




OPERATING INSTRUCTIONS

PART NAMES

1. Control Panel
2. Turntable Shaft
3. Roller Ring
4. Glass Tray
5. Oven Window
6. Mica Sheet (Do not remove)
7. Door Safety Lock System
8. Display Screen



CONTROL PANEL AND FEATURES

- **Popcorn** - Use to cook popcorn based on bag size
- **Power Level** - Use to set power level before or during cooking and to check power level during cooking
- **Clock** - Use to set the clock
- **Auto Defrost** - Use to Defrost based on weight
- **Quick Defrost** - Will allow you to quickly defrost foods
- **Auto Reheat** - Use to reheat food items
- **Number Keys**
- **Kitchen Timer** - Use to set a timer
- **Quick +30** - Will add 30 seconds to cooking time or cook for 30 seconds at 100% power
- **Stop/Clear** - Clears all previous settings pressed before the start of cooking. Press once to stop the microwave, press twice to stop and clear all entries.
- **Eco**  - Will turn the display on and off during standby
- **Start** - Starts cooking



OPERATING INSTRUCTIONS

AVAILABLE POWER LEVELS

Level	10	9	8	7	6	5	4	3	2	1
Power	100%	90%	80%	70%	60%	50%	40%	30%	20%	10%
Display	P100	P-90	P-80	P-70	P-60	P-50	P-40	P-30	P-20	P-10

SETTING THE CLOCK

1. Touch CLOCK pad once to display a 12 hour clock, press CLOCK twice to display a 24 hour clock.
2. Use the number pads to enter the correct time.
3. Touch CLOCK pad again or START.

SETTING THE MICROWAVE TO COOK

1. Enter the amount of cooking time, in minutes and seconds, by touching the number pads. (The maximum time that can be set is 99 minutes and 99 seconds).
2. Press "POWER" once, the display will show "P100." The default power level is 100%. You can adjust the power level pressing the Power button multiple times.
3. Press "START" to start cooking.

SETTING THE TIMER

1. Touch KITCHEN TIMER.
2. Enter the amount of time by touching the number pads (the maximum time is 99 minutes 99 seconds).
3. Touch START.
4. When the timer is done, the unit will beep.

Note: To cancel the timer, press KITCHEN TIMER and then Stop/Clear

QUICK DEFROST

1. Touch QUICK DEFROST, the unit will automatically start defrosting for 2 minutes.
2. To add more time while it is running, use the number pads. The maximum time is 98 minutes.

AUTO DEFROST

1. Touch AUTO DEFROST.
2. Use the number pads to enter the defrosting weight (in ounces). The maximum weight is 90 ounces.

OPERATING INSTRUCTIONS

POPCORN

The popcorn feature has 3 pre-programmed popcorn sizes, Mini, Regular and Bowl.

1. Press POPCORN once for Mini, twice for Regular and 3 times for Bowl.

Press Button:	Display (Weight)	Time 1.2 cubic ft / 1.4 cubic ft	Power level
1 time	MINI (45g / 1.6 oz)	1:35 / 1:35 minutes	P-100
2 times	REG (100g / 3.5 oz)	2:00 / 2:10 minutes	
3 times	BOWL (86g / 3 oz)	1:50 / 2:00 minutes	

AUTO REHEAT

1. Press the AUTO REHEAT button based on the below chart, to choose the reheat time.
2. Press START.

Press Button:	Weight	Time	Power level
1 time	12 oz	2:00 minutes	P-100
2 times	1 lb 2 oz	2:45 minutes	
3 times	1 lb 14 oz	4:40 minutes	
4 times	2 lb 8 oz	6:30 minutes	



To use the ECO function:

1. Press the ECO button once, the display will darken. When you press any button or open the microwave door the ECO mode will be disabled and the display will return to the default setting.

OR

2. Press and hold the ECO button for 5 seconds, the unit will beep, this will activate the ECO button and the default setting will be ECO mode, meaning when you press a button or open the door, after 1-2 minutes of no activity, the unit will default to ECO mode again. To turn off ECO mode, press and hold the ECO button for another 5 seconds, the unit will beep.

CHILD LOCK

The Child Lock prevents children from operating the microwave without supervision.

- To set the lock, while the unit is in standby mode, press and hold the Stop/Clear button for 3 seconds, the unit will beep. The lock will display, but the microwave will not operate.
- To cancel the lock, press and hold the Stop/Clear button for 3 seconds, the unit will beep. The microwave will now operate.

Note: When the child lock is active, after pressing any button, the display will show "LOC" and the unit will beep.

OPERATING INSTRUCTIONS

COOKING TECHNIQUES

Your microwave makes cooking easier than conventional cooking, provided you keep these considerations in mind:

STIRRING - Stir foods such as casseroles and vegetables while cooking to distribute heat evenly. Food at the outside of the dish absorbs more energy and heats more quickly, so stir from the outside to the centre. The oven will turn off when you open the door to stir your food.

ARRANGEMENT - Arrange unevenly shaped foods, such as chicken pieces or chops, with the thicker, meatier parts toward the outside of the turntable where they receive more microwave energy. To prevent overcooking, place delicate items, such as asparagus tips, toward the centre of the turntable.

SHIELDING - Shield food with narrow strips of aluminum foil to prevent overcooking. Areas that need shielding include poultry wing tips, the ends of poultry legs, and corners of square baking dishes. Use only small amounts of aluminum foil. Larger amounts can damage your oven.

TURNING - Turn foods over midway through cooking to expose all parts to microwave energy. This is especially important with large foods such as roasts.

STANDING - Foods cooked in the microwave build up internal heat and continue to cook for a few minutes after heating stops. Let foods stand to complete cooking, especially foods such as cakes and whole vegetables. Roasts need this time to complete cooking in the centre without overcooking the outer areas. All liquids, such as soup or hot chocolate, should be shaken or stirred when cooking is complete. Let liquids stand a moment before serving. When heating baby food, stir well at removal and test the temperature before serving.

ADDING MOISTURE - Microwave energy is attracted to water molecules. Food that is uneven in moisture content should be covered or allowed to stand so that the heat disperses evenly. Add a small amount of water to dry food to help it cook.

CARE AND MAINTENANCE

The interior of this unit is equipped with XpressClean technology. When spills and splatters in your microwave become caked on, simply wet a cloth or sponge, put the cloth over the spill or splatter, apply pressure and wipe clean.

Note: Please make sure that the interior of the unit has cooled before cleaning.

- Turn off the oven and remove the power plug from the wall socket before cleaning.
- Keep the inside of the oven clean. When food splatters or spilled liquids adhere to oven walls, wipe with a damp cloth, while applying pressure on the cloth or sponge.
- The outside surfaces should be cleaned with a damp cloth. To prevent damage to the operating parts inside the oven, water should not be allowed to seep into the ventilation openings.
- Wipe the window on both sides with a damp cloth to remove any spills or splatters.
- Do not allow the control panel to become wet. Clean with a soft, damp cloth. When cleaning the control panel, leave oven door open to prevent oven from accidentally turning on.
- It is occasionally necessary to remove the glass tray for cleaning. Wash the tray in warm soapy water or in a dishwasher.
- The roller ring and oven floor should be cleaned regularly to avoid excessive noise. Simply wipe the bottom surface of the oven with a damp cloth. The roller ring may be washed in mild soapy water or dishwasher. When removing the roller ring from cavity floor for cleaning, be sure to replace in the proper position.
- Remove odors from your oven by combining a cup of water with the juice and skin of one lemon in a deep bowl, microwave for 5 minutes. Wipe thoroughly and dry with a soft cloth.
- When it becomes necessary to replace the oven light, please consult a dealer to have it replaced.
- Please do not dispose of this appliance in a domestic trash bin; it should be disposed of at the appropriate disposal centre provided by the municipalities.
- DO NOT DAMPEN THE MICA SHEET WHILE CLEANING THE UNIT.

POWER OUTAGES

- When the cord is unplugged or the power goes off for more than a few seconds, once power resumes to the unit or the cord is plugged back in, the clock will need to be reset and any timer or cooking time that remained on the unit will have to be reprogrammed.

TROUBLESHOOTING

Occasionally, a minor problem may arise, and a service call may not be necessary - use this troubleshooting guide for a possible solution. If the unit continues to operate improperly, call an authorized service depot or **Danby's Toll Free Number** for assistance.

Tel: 1-800-26-**Danby**® (1-800-263-2629)

PROBLEM	POSSIBLE CAUSE	SOLUTION
Microwave will not start	<ul style="list-style-type: none"> • Electrical cord for Microwave is not plugged in • Door is open • Wrong operation is set 	<ul style="list-style-type: none"> • Plug the unit into the outlet • Close the door and try again • Check instructions
Arcing or sparking	<ul style="list-style-type: none"> • Materials to be avoided in microwave were used • The microwave is operated when empty • Spilled food remains in the cavity 	<ul style="list-style-type: none"> • Use microwave safe cook-ware only • Do not operate with an empty oven • Clean the cavity with a wet towel
Unevenly cooked foods	<ul style="list-style-type: none"> • Materials to be avoided in the microwave were used • Food is not defrosted completely • Cooking time or power level are not suitable • Food is not turned or stirred 	<ul style="list-style-type: none"> • Use microwave safe cook-ware only • Completely defrost food • Use correct cooking time and power level • Turn and stir food
Overcooked foods	<ul style="list-style-type: none"> • Cooking time or power level are not suitable 	<ul style="list-style-type: none"> • Use correct cooking time and power level
Under cooked foods	<ul style="list-style-type: none"> • Materials to be avoided in microwave oven were used • Food is not defrosted completely • Oven ventilation ports are restricted • Cooking time and power level are not suitable 	<ul style="list-style-type: none"> • Use microwave safe cook-ware only • Completely defrost food • Check to see that oven ventilation ports are not restricted • Use correct cooking time and power level
Poor defrosting	<ul style="list-style-type: none"> • Materials to be avoided in microwave were used • Cooking time and power level setting are unsuitable • Food was not turned or stirred 	<ul style="list-style-type: none"> • Use microwave safe cook-ware only • Use correct cooking time and power level • Stir or turn food during defrosting

LIMITED APPLIANCE WARRANTY

This quality product is warranted to be free from manufacturer's defects in material and workmanship, provided that the unit is used under the normal operating conditions intended by the manufacturer.

This warranty is available only to the person to whom the unit was originally sold by Danby Products Limited (Canada) or Danby Products Inc. (U.S.A.) (hereafter "Danby") or by an authorized distributor of Danby, and is non-transferable.

TERMS OF WARRANTY

Plastic parts, are warranted for thirty (30) days only from purchase date, with no extensions provided.

First Year During the first twelve (12) months, any functional parts of this product found to be defective, will be repaired or replaced, at warrantor's option, at no charge to the ORIGINAL purchaser.

To obtain service It will be the consumer's responsibility to transport the appliance (at their own expense) to the original retailer (point of purchase) or a service depot for repair. Contact your dealer from whom your unit was purchased, or contact your nearest authorized Danby service depot, where service must be performed by a qualified service technician. If service is performed on the unit by anyone other than an authorized service depot, or the unit is used for commercial application, all obligations of Danby under this warranty shall be void.

Nothing within this warranty shall imply that Danby will be responsible or liable for any spoilage or damage to food or other contents of this appliance, whether due to any defect of the appliance, or its use, whether proper or improper.

EXCLUSIONS

Save as herein provided, by Danby, there are no other warranties, conditions, representations or guarantees, express or implied, made or intended by Danby or its authorized distributors and all other warranties, conditions, representations or guarantees, including any warranties, conditions, representations or guarantees under any Sale of Goods Act or like legislation or statute is hereby expressly excluded. Save as herein provided, Danby shall not be responsible for any damages to persons or property, including the unit itself, howsoever caused or any consequential damages arising from the malfunction of the unit and by the purchase of the unit, the purchaser does hereby agree to indemnify and hold harmless Danby from any claim for damages to persons or property caused by the unit.

GENERAL PROVISIONS

No warranty or insurance herein contained or set out shall apply when damage or repair is caused by any of the following:

- 1) Power failure.
- 2) Damage in transit or when moving the appliance.
- 3) Improper power supply such as low voltage, defective house wiring or inadequate fuses.
- 4) Accident, alteration, abuse or misuse of the appliance such as inadequate air circulation in the room or abnormal operating conditions (extremely high or low room temperature).
- 5) Use for commercial or industrial purposes (ie. If the appliance is not installed in a domestic residence).
- 6) Fire, water damage, theft, war, riot, hostility, acts of God such as hurricanes, floods etc.
- 7) Service calls resulting in customer education.
- 8) Improper Installation (ie. Building-in of a free standing appliance or using an appliance outdoors that is not approved for outdoor application).

Proof of purchase date will be required for warranty claims; so, please retain bill of sale. In the event warranty service is required, present this document to our AUTHORIZED SERVICE DEPOT.

Warranty Service
Carry-In

Danby Products Limited
PO Box 1778, Guelph, Ontario, Canada N1H 6Z9
Telephone: (519) 837-0920 FAX: (519) 837-0449

1-800-263-2629
07/13

Danby Products Inc.
PO Box 669, Findlay, Ohio, U.S.A. 45840
Telephone: (419) 425-8627 FAX: (419) 425-8629

Merci d'avoir choisi Danby

Nous savons que vous êtes excité. Nous sommes aussi! Cependant, le plus que vous vous familiarisez avec votre nouvel appareil, le mieux va être votre expérience. Nous suggérons donc de **lire ces instructions avant connecter votre nouvel appareil**. Ce manuel contient des informations opérationnel important qui vous aidera à faire un usage pleine de les caractéristiques techniques disponibles dans votre appareil Danby. Le manuel contient également des informations conçu pour améliorer la fiabilité et la sécurité de votre appareil ainsi que des conseils pour le maintien, pour vous assurez des années de bonheur.

Se il vous plaît visitez www.danby.com pour accéder les outils libre-service, FAQ et plus encore. Si jamais vous avez besoin d'aide supplémentaire, s'il vous plaît appelez 1-800-26-Danby (1-800-263-2629). S'il vous plaît ayez votre facture d'achat, le numéro de modèle, et le numéro de série près durant l'appel.

Remarque : Ces renseignements seront nécessaires si votre appareil a besoin d'entretien ou pour les demandes de renseignements généraux. Pour bénéficier d'une opération de maintenance ou de dépannage, le reçu original sera exigé.

Numéro de modèle : _____

Numéro de serie : _____

Date d'achat : _____

BESOIN D'ASSISTANCE ?

Veillez trouver quelques conseils avant de faire appel à nos services, cela nous aidera à mieux vous servir :

Lisez ce guide :

Il comprend des instructions pour l'utilisation et l'entretien adapté de votre appareil.

Si votre nouvel appareil est endommagé :

Contactez immédiatement le revendeur (ou le fabricant).

Gagnez du temps et de l'argent :

Avant de faire appel à nos services, consultez à nouveau la section « Dépannage ». Cette section vous aidera à résoudre des problèmes courants.

Si une réparation est nécessaire, ne vous inquiétez pas, la solution est au bout du fil.



1-800-26-**Danby**
(1-800-263-2629)



INFORMATION DE SÉCURITÉ IMPORTANTE

LISEZ TOUTES LES CONSIGNES DE SÉCURITÉ AVANT L'UTILISATION

DÉCLARATION QUANT AUX INTERFÉRENCES DE FRÉQUENCE RADIO DE LA COMMISSION FÉDÉRALE DES COMMUNICATIONS (É.-U. SEULEMENT)

Cet équipement génère et utilise des fréquences sur bande ISM. S'il n'est pas installé et utilisé correctement, c'est-à-dire selon les directives du fabricant, ces fréquences peuvent entraîner des interférences dans les réceptions radiophoniques et télévisuelles. Cet équipement a été mis à l'essai et déclaré conforme aux limitations de l'équipement ISM énoncées à l'article 18 de la réglementation de la Commission, dont le but est d'offrir une protection raisonnable contre de telles interférences dans les installations résidentielles.

Il n'existe cependant aucune garantie que des interférences ne surviendront pas dans des installations particulières. Si cet équipement entraîne des interférences dans les réceptions radiophonique et télévisuelle, ce qui peut être déterminé en allumant et en éteignant l'équipement, l'utilisateur devrait tenter de corriger l'interférence en posant un ou plusieurs des gestes suivants :

- Réorienter l'antenne réceptrice de la radio ou de la télévision;
- Déplacer le four à micro-ondes par rapport au récepteur;
- Éloigner le four à micro-ondes du récepteur;
- Brancher le four à micro-ondes dans une prise différente afin qu'il ne se trouve pas sur le même circuit que le récepteur.



Le fabricant n'est pas responsable des interférences radiophoniques ou télévisuelles causées par une MODIFICATION NON AUTORISÉE à ce four à micro-ondes. L'utilisateur est responsable de la correction de telles interférences.

Cet appareil ISM est conforme à la norme NMB-001 du Canada.

PRÉCAUTIONS À PRENDRE AFIN D'ÉVITER UNE EXPOSITION EXCESSIVE À L'ÉNERGIE MICRO-ONDE

Afin d'assurer votre sécurité, les consignes de ce guide doivent être suivies afin de réduire les risques d'incendie ou d'explosion, de dommages à la propriété, de blessure ou de décès.

Ne faites pas fonctionner ce four la porte ouverte : un tel fonctionnement peut entraîner une exposition dangereuse à l'énergie micro-onde. Il est important de ne pas contourner ou altérer le verrouillage de sécurité.

Ne déposez pas d'objet entre la face du four et la porte.

Ne laissez pas la saleté ou les résidus de produits nettoyants s'accumuler sur les surfaces d'étanchéité.

Ne faites pas fonctionner le four s'il est endommagé. Il est très important que la porte du four se ferme bien et que les éléments suivants ne soient pas endommagés :

1. porte (courbée);
2. charnières et loquets (brisés ou lâches);
3. surface d'étanchéité et porte étanche.

Le **four doit être** réglé ou réparé par un technicien qualifié.

CONSERVEZ CES INSTRUCTIONS!



Renseignements importants relatifs à la sécurité

LISEZ ET RESPECTEZ TOUTES LES CONSIGNES RELATIVES À LA SÉCURITÉ

AVERTISSEMENT IMPORTANT

Cet appareil doit fonctionner sur son propre circuit de 15 ampères. NE PAS RACCORDER UN AUTRE APPAREIL À CE CIRCUIT.

AVERTISSEMENT IMPORTANT

Afin de réduire les risques d'incendie, d'électrocutions, de blessures humaines ou d'exposition à une énergie des micro-ondes excessive lorsque vous utilisez votre appareil, veuillez vous conformer aux instructions suivantes :

1. Lisez toutes ces instructions avant d'utiliser l'appareil.
2. Lisez et respectez les « PRÉCAUTIONS À PRENDRE AFIN D'ÉVITER UNE EXPOSITION EXCESSIVE À L'ÉNERGIE MICRO-ONDE ».
3. Cet appareil doit être mis à la terre. Ne branchez cet appareil que sur une prise correctement mise à la terre. Voir « INSTRUCTIONS RELATIVES À LA MISE À LA TERRE ».
4. N'installez ou placez cet appareil que conformément aux instructions d'installation fournies.
5. Certains produits, tels que les œufs entiers et les récipients hermétiques, par exemple les bocaux en verre fermés, pourraient exploser et ne doivent pas être réchauffés dans ce four.
6. Utilisez cet appareil uniquement pour ce à quoi il est destiné, tel qu'il est décrit dans le présent manuel. Ne pas utiliser de produits chimiques corrosifs ou de vapeurs corrosives dans cet appareil. Ce type de four est conçu spécialement pour chauffer, cuire ou assécher de la nourriture. Il n'est pas conçu pour une utilisation industrielle ou en laboratoire.
7. Comme avec tout appareil, une supervision est indispensable lorsqu'il est utilisé par un enfant.
8. Afin de réduire le risque d'incendie dans la cavité du four :
 - Ne pas faire cuire les aliments trop longtemps. Surveillez minutieusement l'appareil lorsque du papier, du plastique ou toute autre matière inflammable est placée dans le four pour faciliter la cuisson.
 - Retirez les liens torsadés métalliques des sacs en papier ou en plastique avant de placer le sac dans le four.
 - Si une matière dans le four prend feu, laissez la porte du four fermée, éteignez le four et débranchez le cordon d'alimentation ou coupez l'alimentation au fusible ou au panneau de disjoncteurs.
 - Ne pas utiliser la cavité à des fins d'entreposage. Ne laissez pas de produits en papier, d'ustensiles de cuisine ou de nourriture dans la cavité du four lorsque celui-ci n'est pas utilisé.
9. Les liquides comme l'eau, le café ou le thé peuvent être surchauffés au-delà du point d'ébullition sans donner l'apparence d'être en train de bouillir. Des bulles ou d'autres signes visibles d'ébullition ne sont pas toujours présents lorsque le récipient est sorti du four à micro-ondes. CELA PEUT ENTRAÎNER LE DÉBORDEMENT SOUDAIN DE LIQUIDES BRÛLANTS LORSQU'UNE CUILLÈRE OU UN AUTRE USTENSILE EST PLONGÉ DANS LE LIQUIDE. Pour réduire le risque de blessure :
 - Ne pas faire trop chauffer les liquides.
 - Remuez le liquide avant de le réchauffer et à la moitié du temps de réchauffage.
 - N'utilisez pas de récipients à parois droits et à goulot étroit.
 - Après avoir réchauffé le récipient, laissez-le refroidir dans le four à micro-ondes pendant une courte période avant de retirer le récipient.
 - Soyez extrêmement prudent lorsque vous insérez une cuillère ou un autre ustensile dans le récipient.
10. Ne réchauffez pas de l'huile ou du gras pour y faire frire des aliments. Il est difficile de contrôler la température de l'huile dans un four à micro-ondes.
11. Faites des entailles dans les aliments aux peaux épaisses, tels que les pommes de terre, les courges entières, les pommes et les châtaignes.
12. Le contenu des biberons et des bocaux pour bébés devrait être mélangé ou agité, et la température doit être vérifiée avant de servir le contenu, dans le but d'éviter des brûlures.
13. Les ustensiles de cuisson peuvent devenir chauds en raison du transfert de chaleur provenant de la nourriture réchauffée. Des maniques peuvent s'avérer nécessaires pour manipuler les ustensiles.
14. Ne recouvrez ni ne bloquez aucune ouverture de l'appareil.
15. Ne rangez et n'utilisez pas cet appareil à l'extérieur. N'utilisez pas ce produit à proximité d'eau, par exemple, près d'un évier, dans un sous-sol humide, près d'une piscine ou dans un endroit similaire.
16. Ne faites pas fonctionner cet appareil si le cordon ou la fiche sont endommagés, s'il ne fonctionne pas correctement, s'il a été endommagé ou s'il est tombé par terre.
17. N'immergez pas le cordon ou la fiche dans l'eau. Gardez le cordon d'alimentation à l'écart des surfaces chaudes. Ne laissez pas le cordon électrique pendre du bord d'une table ou d'un plan de travail.
18. Ne vous servez que d'un modèle de thermomètre ayant été spécifiquement conçu pour une utilisation dans un four à micro-ondes.
19. N'utilisez aucun appareil de chauffage ou de cuisson sous cet appareil.
20. Assurez-vous que le plateau de verre et les billes de roulement sont bien positionnés pendant que vous utilisez le four.
21. Cet appareil ne doit être réparé que par un professionnel qualifié; communiquez avec les ateliers de réparation agréés les plus proches de chez vous pour une évaluation, une réparation ou un réglage.
22. Pour nettoyer la surface de la porte et la surface du four qui entrent en contact lors de la fermeture de la porte, servez-vous d'un savon ou d'un détergent doux et non abrasif appliqué par une éponge ou un chiffon doux.

CONSERVEZ CES INSTRUCTIONS!



INFORMATION DE SÉCURITÉ IMPORTANTE

REMARQUES PARTICULIÈRES CONCERNANT LA CUISSON MICRO-ONDE

FORMATION D'ÉTINCELLES (ARCING)

Si vous voyez des étincelles, appuyez sur le bouton « STOP » ARRÊT et corrigez le problème. « Arcing » est le terme des micro-ondes pour décrire la formation d'étincelles dans le four. La formation d'étincelles est causée par :

- Du métal ou du papier d'aluminium en contact avec la paroi du four;
- Du papier d'aluminium non moulé autour des aliments (les arêtes pointant vers le haut agissent comme des antennes);
- Du métal, tel des attaches métalliques, des broches de volaille ou de la vaisselle cordonnée d'or dans le four à micro-ondes;
- Essuie-tout recyclé contenant de petits morceaux de métal dans le four à micro-ondes.

ALIMENTS

- Le maïs soufflé ne doit être cuit dans votre four à micro-ondes qu'à l'aide d'un accessoire de cuisson spécialement conçu à cet effet, à moins que vous n'utilisiez du maïs soufflé identifié pour l'utilisation au four à micro-ondes.
- Certains produits, tels les œufs entiers (dans leur coquille), les contenants hermétiques et les pots de verre fermés, peuvent exploser et ne devraient pas être chauffés dans ce four à micro-ondes.
- Ne faites pas bouillir des œufs au four à micro-ondes. La pression s'accumulera dans le jaune d'œuf et le fera exploser, entraînant potentiellement des blessures.
- Faire fonctionner le four à micro-ondes sans aliment à l'intérieur peut l'endommager et causer un incendie. La chaleur autour du magnétron augmente et peut réduire la durée de vie du four.
- Les aliments dotés d'une «peau» fermée tels les pommes de terre, saucisses, tomates, pommes, foie de poulet ou autres abattis et les jaunes d'œuf doivent être piqués avant la cuisson afin de permettre que la vapeur s'en échappe.

DONNÉES DE SÉCURITÉ

- L'eau et les autres liquides ne font pas toujours de bulles lorsqu'ils atteignent le point d'ébullition au four à micro-ondes. Ils peuvent en fait surchauffer sans faire une seule bulle. Le liquide surchauffé peut faire des bulles lorsqu'il est déplacé ou que quelque chose y est déposé, telle une cuiller ou un sachet de thé. Afin d'éviter cette situation pouvant entraîner des blessures, ne chauffez aucun liquide pendant plus de 2 minutes par tasse. Une fois le liquide chauffé, laissez reposer la tasse pendant 30 secondes dans le four à micro-ondes avant de la déplacer ou d'y déposer quoi que ce soit.
- Évitez de chauffer de la nourriture pour bébé dans des pots de verre, même sans le couvercle. Assurez-vous que la nourriture pour bébé est entièrement cuite. Vérifiez toujours la température du lait avant de nourrir le bébé.
- Mélangez les aliments afin de répartir la chaleur également. Prenez soin de ne pas vous ébouillanter lorsque vous chauffez du lait maternisé. Le contenant peut sembler plus froid que le lait ne l'est en réalité.

Ébullition spontanée – Dans certains cas, un liquide peut commencer à bouillir pendant qu'on le retire du four à micro-ondes ou immédiatement après. Afin d'éviter les blessures causées par un éclaboussement, nous vous recommandons de laisser le contenant reposer entre 30 et 40 secondes dans le four éteint avant de l'en retirer. Ne faites pas bouillir de liquide dans des contenants à col mince tels les bouteilles de boissons gazeuses, les flacons de vin et surtout les tasses à café étroites. Même si le contenant est ouvert, de la vapeur peut s'accumuler en excès et entraîner une explosion ou un débordement.

- Ne faites pas décongeler de boissons surgelées dans des bouteilles étroites (surtout les boissons gazeuses). Même si le contenant est ouvert, de la pression peut s'accumuler. Le contenant pourrait exploser, entraînant des blessures.
- La vapeur et les aliments chauds peuvent entraîner des brûlures. Soyez prudent lorsque vous ouvrez des contenants d'aliments chauds, y compris les sacs de maïs soufflé, les pochettes de cuisson et les boîtes. Afin d'éviter les blessures, dirigez la vapeur loin des mains et du visage.
- Ne cuisez pas trop les pommes de terre. Elles pourraient se déshydrater et s'enflammer, endommageant votre four.
- Cuisez entièrement la viande et la volaille : la viande doit avoir une température INTERNE d'au moins 71,1°C (160°F) et la volaille 82,2°C (180°F). La cuisson à ces températures prévient habituellement les maladies alimentaires.



INFORMATION DE SÉCURITÉ IMPORTANTE

REMARQUES PARTICULIÈRES CONCERNANT LA CUISSON MICRO-ONDE

MATÉRIAUX AUTORISÉS

AVERTISSEMENT : RISQUE DE BLESSURES

Les récipients solidement fermés pourraient exploser. Les récipients fermés doivent être ouverts et les sachets en plastique doivent être perforés avant la cuisson.

Cette section énumère les ustensiles qui peuvent être utilisés dans ce four à micro-ondes, ceux qui peuvent être utilisés de façon limitée pendant de courtes périodes, et ceux qui ne doivent pas être utilisés dans ce four à micro-ondes.

RECOMMANDÉS

Plat à brunir pour four à micro-ondes — Utilisez-le pour faire brunir l'extérieur de petits aliments comme des steaks, des côtelettes ou des crêpes. Suivez les instructions fournies avec votre plat à brunir.

Film plastique allant au micro-ondes — Utilisez-le pour retenir la vapeur. Laissez une petite ouverture pour que la vapeur puisse s'échapper et ne la placez pas directement sur les aliments.

Essuie-tout et serviettes — Utilisez-les pour réchauffer et couvrir les aliments pendant une courte période; ils absorbent l'excès d'humidité et préviennent les éclaboussures. N'utilisez pas d'essuie-tout en papier recyclé, qui peuvent contenir du métal et pourraient s'enflammer.

Bols et assiettes en verre et en vitrocéramique — Utilisez-les pour réchauffer ou cuire les aliments.

Assiettes et verres en papier — Utilisez-les pour réchauffer les aliments pendant une courte période à de basses températures. N'utilisez pas de papier recyclé, qui peut contenir du métal et pourrait s'enflammer.

Papier ciré — Utilisez-le pour recouvrir les aliments afin d'éviter les éclaboussures.

Thermomètres — N'utilisez que ceux étiquetés « Va au four à micro-ondes » et suivez toutes les instructions. Vérifiez les aliments à plusieurs endroits. Les thermomètres conventionnels peuvent être utilisés sur les aliments cuits au four à micro-ondes une fois que les aliments ont été retirés du four.

UTILISATION LIMITÉE

Papier d'aluminium — N'utilisez que de fines bandes de papier d'aluminium pour empêcher que certaines régions exposées ne cuisent trop. Comme l'utilisation d'une quantité trop importante de papier d'aluminium peut endommager votre four à micro-ondes, soyez prudent. Il est nécessaire de laisser un espace d'un pouce (2,54 cm) entre le papier d'aluminium et la cavité du four.

Céramique, porcelaine et grès — Ne les utilisez que s'ils sont étiquetés « Va au micro-ondes ». S'ils ne portent pas cette mention, testez-les pour vous assurer qu'ils peuvent être utilisés en toute sécurité.

Plastique — Ne l'utilisez que s'il est étiqueté « Va au micro-ondes ». D'autres plastiques pourraient fondre.

NON RECOMMANDÉS

Bocaux et bouteilles en verre — Le verre courant est trop mince pour être utilisé dans un four micro-ondes. Il peut éclater et causer des dommages et des blessures.

Sacs de papier — Ces derniers constituent un risque d'incendie, à l'exception des sacs de maïs soufflé qui sont conçus à cet effet.

Assiettes et verres en mousse de polystyrène — Ces derniers peuvent fondre et laisser des résidus nocifs sur la nourriture.

Récipients en plastique et pots de nourriture — Les récipients tels que les pots de margarine peuvent fondre dans le micro-ondes.

Ustensiles en métal — Ils peuvent endommager votre micro-ondes. Enlevez tout le métal avant la cuisson.

Remarque :

Pour vérifier si un plat va au four à micro-ondes, placez le plat vide dans le four à micro-ondes et faites chauffer à puissance élevée pendant 30 secondes. Un plat qui devient très chaud ne doit pas être utilisé.



INFORMATION DE SÉCURITÉ IMPORTANTE

LISEZ TOUTES LES CONSIGNES DE SÉCURITÉ AVANT L'UTILISATION

INSTRUCTIONS RELATIVES À LA MISE À LA TERRE

DANGER : RISQUE DE CHOC ÉLECTRIQUE

Il est préférable d'éviter de toucher des composants internes, car cela pourrait entraîner des blessures sérieuses, voire la mort. **NE PAS démonter cet appareil.**

AVERTISSEMENT : RISQUE DE CHOC ÉLECTRIQUE

Une mise à la terre inadéquate pourrait causer un choc électrique. **Ne pas brancher dans une prise tant que l'appareil n'a pas été correctement mis à la terre.**

Fiche à trois broches
(pour mise à la terre)



Cet appareil doit être mis à la terre. Dans l'éventualité où un court-circuit électrique se produit, la mise à la terre réduit les risques de choc électrique en assurant la présence d'un câble d'échappement pour le courant électrique. Un cordon d'alimentation équipé d'un câble et d'une prise de mise à la terre est fourni avec cet appareil. La prise doit être insérée dans une prise murale qui est elle-même correctement installée et mise à la terre.

Consultez un électricien ou un spécialiste des réparations qualifié si les instructions de mise à la terre ne vous sont pas parfaitement compréhensibles ou si vous avez des doutes pour savoir si l'appareil est correctement mis à la terre ou non. S'il s'avère nécessaire d'utiliser un cordon d'extension, n'utilisez qu'un cordon d'extension à 3 câbles disposant d'une prise à trois fiches pour la mise à la terre, et un réceptacle à trois fentes qui pourra recevoir la prise de l'appareil. La classification électrique du cordon d'extension devra être égale ou supérieure à celle de l'appareil.

Un cordon d'alimentation court est fourni afin de réduire les risques de trébucher sur un cordon plus long, ou de s'y emmêler.

Des cordons amovibles ou d'extension plus longs sont disponibles et peuvent être utilisés avec les précautions qui s'imposent.

Dans le cas où un cordon amovible ou d'extension est utilisé :

- 1) La classification électrique du cordon amovible ou d'extension doit être au moins égale à celle de l'appareil;
- 2) Il doit s'agir d'une cordon d'extension à trois câbles avec mise à la terre; et
- 3) Le cordon doit être disposé de manière à ne pas pendre de la table ou du plan de travail, car il pourrait être tiré par des enfants ou faire trébucher certaines personnes accidentellement.

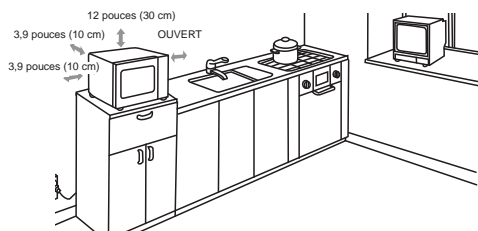
Modèle :	DMW12A4BDB / DMW12A4SDB / DMW12A4WDB
Tension classifiée :	120V ~ 60 Hz
Puissance d'alimentation classifiée :	1200W
Puissance de sortie classifiée :	1650W
Capacité du four :	1,2 cu.ft.
Dimensions externes :	539 mm W x 300 mm H x 450 mm D (21,22" W x 11,81" H x 17,72" D)
Poids net :	17,3 kg (38,1 lbs)

Modèle :	DMW14A4SDB
Tension classifiée :	120V ~ 60 Hz
Puissance d'alimentation classifiée :	1200W
Puissance de sortie classifiée :	1650W
Capacité du four :	1,4 cu.ft.
Dimensions externes :	553 mm W x 311 mm H x 440 mm D (21,77" W x 12,24" H x 17,32" D)
Poids net :	18 kg (39,7 lbs)

GUIDE D'INSTALLATION

INSTALLATION DE COMPTOIR

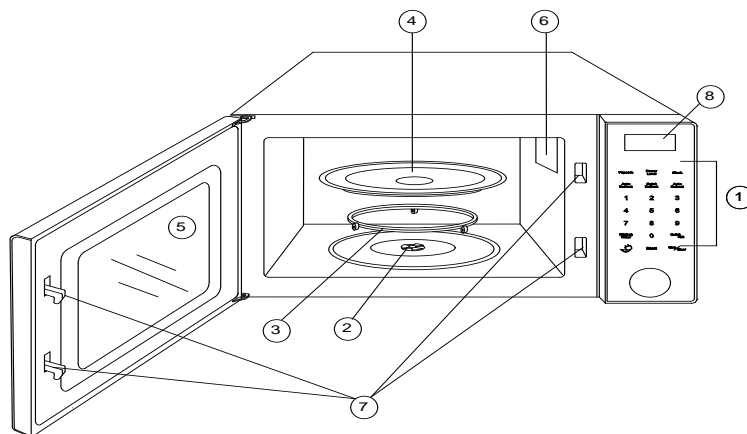
1. Assurez-vous que tout le matériel d'emballage est retiré de la face intérieure de la porte ou de la surface intérieure du four. **Ne retirez pas la mince feuille de mica brun apposée sur la cavité du four à micro-ondes pour protéger le magnétron.**
2. Vérifiez que le four n'est pas endommagé, par exemple que la porte n'est pas irrégulière ou tordue, que les joints de porte ou les surfaces assurant l'étanchéité ne sont pas endommagés, que les charnières et loquets ne sont pas brisés ou ne jouent pas, et qu'il n'y a pas d'indentations dans la cavité ou sur la porte. Si vous remarquez des dommages, ne faites pas fonctionner le four à micro-ondes et communiquez avec un professionnel de réparation qualifié.
3. Ce four à micro-ondes doit être posé sur une surface plane et stable qui peut supporter son poids en plus du poids des aliments les plus lourds qui risquent d'être placés dans le four à micro-ondes.
4. Ne placez pas le four à proximité d'une source de chaleur ou d'humidité, ou près de matériaux combustibles.
5. Pour assurer un fonctionnement correct, un débit d'aération suffisant doit être présent. Prévoyez un espace de 30 cm au-dessus du four, de 10 cm à l'arrière et des deux côtés (voir le schéma). Ne pas recouvrir ou bloquer les événements se trouvant sur l'appareil. Ne pas retirer les pieds sur lesquels le four repose.
6. Ne pas faire fonctionner si le plateau de verre, le support de roulement et l'axe ne se trouvent pas dans la position appropriée.
7. Assurez-vous que le cordon d'alimentation est exempt de tout dommage et qu'il ne passe pas sous le four ni au-dessus d'une surface très chaude ou tranchante.
8. La prise femelle doit être facilement accessible pour permettre de débrancher l'appareil rapidement en cas d'urgence. La prise femelle doit être de la même tension et fréquence que ce qui est indiqué sur l'étiquette de classification de l'appareil.
9. Placez le four à micro-ondes loin de tout appareil radio ou téléviseur afin d'éviter les interférences.




FONCTIONNEMENT

CARACTÉRISTIQUES

1. Panneau de commande
2. Arbre de plaque tournante
3. Anneau de roulement
4. Plateau de verre
5. Fenêtre du four
6. Feuille mica (Ne pas enlever)
7. Système de verrouillage de sécurité de la porte
8. Affichage



PANNEAU DE COMMANDES ET CARACTÉRISTIQUES

- **Maïs soufflé** – Utilisez pour cuire le maïs soufflé en fonction de la taille du sac.
- **Niveau de puissance** – Utilisez pour régler le niveau de puissance avant la cuisson et pendant la cuisson, ainsi que pour vérifier le niveau de puissance pendant la cuisson.
- **Horloge** – Utilisez pour régler l'horloge
- **Décongélation auto** – Utilisez pour décongeler des aliments selon leur poids
- **Décongélation rapide** – Utilisez pour rapidement décongeler les aliments
- **Réchauffe auto** – Utilisez pour réchauffer les aliments
- Touches chiffrées
- **Minuterie de cuisine** – Utilisez pour régler une minuterie
- **Rapide +30** – Ajoute 30 secondes au temps de cuisson ou cuit pendant 30 secondes à la puissance 100 %
- **Arrêt/annuler** - Réinitialise tous les réglages sélectionnés avant la cuisson. Appuyez une fois pour arrêter le four microondes, et deux fois pour l'arrêter et réinitialiser les réglages.
- **Éco**  – Allume et éteint l'écran lorsque l'appareil est en veille.
- **Mise en marche** - Commence la cuisson

maïs soufflé	puissance niveau	horloge
dégivrage auto.	dégel rapide	réchauf. auto
1	2	3
4	5	6
7	8	9
minuterie de cuisine	0	rapide +30
	mise en marche	arrêt / annuler
		

FONCTIONNEMENT

NIVEAUX DE PUISSANCE

Niveau	10	9	8	7	6	5	4	3	2	1
Courant	100%	90%	80%	70%	60%	50%	40%	30%	20%	10%
Affichage	P100	P-90	P-80	P-70	P-60	P-50	P-40	P-30	P-20	P-10

RÉGLAGE DE L'HORLOGE

1. Appuyez sur HORLOGE/CLOCK une fois pour afficher l'horloge de 12 heures, ou deux fois pour afficher l'horloge de 24 heures.
2. Utilisez les touches chiffrées pour saisir l'heure correcte.
3. Appuyez sur HORLOGE de nouveau ou MISE EN MARCHÉ.

RÉGLAGE D'UN PROGRAMME DE CUISSON

1. Saisissez le temps de cuisson en minutes et secondes en appuyant sur les touches chiffrées (le temps maximum est de 99 minutes et 99 secondes).
2. Appuyez sur « PUISSANCE/POWER » une fois, et l'écran affichera « PL10 ». Le niveau de puissance par défaut est de 100 %. Vous pouvez ajuster le niveau de puissance en appuyant le bouton Puissance plusieurs fois.
3. Appuyez sur « MISE EN MARCHÉ/START » pour commencer la cuisson.

RÉGLAGE DE LA MINUTERIE

1. Appuyez sur MINUTERIE DE CUISINE/KITCHEN TIMER.
2. Saisissez le temps de cuisson en appuyant sur les touches chiffrées (le temps maximum est de 99 minutes et 99 secondes).
3. Appuyez sur DÉMARRER/START.
4. Lorsque la minuterie se termine, l'appareil sonnera.

Remarque : Pour annuler la minuterie, appuyez sur MINUTERIE DE CUISINE/ KITCHEN TIMER et ensuite sur Arrêt/annuler (Stop/Clear).

DÉGIVRAGE RAPIDE

1. Appuyez sur DÉCONGÉLATION RAPIDE/ QUICK DEFROST, et l'appareil décongèlera les aliments automatiquement pendant 2 minutes.
2. Pour prolonger le temps de décongélation, appuyez sur les touches chiffrées. Le temps maximum est de 98 minutes.

DÉGIVRAGE AUTOMATIQUE

1. Appuyez sur DÉCONGÉLATION AUTO/AUTO DEFROST.
2. Utilisez les touches chiffrées pour saisir le poids de décongélation (en onces). Le poids maximum est de 90 onces.

FONCTIONNEMENT

MAÏS À SOUFFLE

La fonction de maïs soufflé vous offre trois tailles préprogrammées, soit Mini, Régulier et Bol.

1. Appuyez sur MAÏS SOUFFLÉ/POPCORN une fois pour Mini, deux fois pour Régulier, et 3 fois pour Bol.

Appuie sur le bouton :	Afficher (poids)	Temps 1,2 pi. cubes / 1,4 pi. cubes	Niveau de puissance
1 temps	MINI (45g / 1.6 oz)	1:35 / 1:35 minutes	P-100
2 temps	REG (100g / 3.5 oz)	2:00 / 2:10 minutes	
3 temps	BOWL (86g / 3 oz)	1:50 / 2:00 minutes	

RÉCHAUFFAGE AUTOMATIQUE

1. Appuyez sur le bouton AUTO REHEAT/RÉCHAUFFE AUTO en fonction du tableau ci-dessous pour choisir le temps de décongélation.
2. Appuyez sur MISE EN MARCHE/START.

Appuie sur le bouton :	Poids	Temps	Niveau de puissance
1 time	12 oz	2:00 minutes	P-100
2 times	1 lb 2 oz	2:45 minutes	
3 times	1 lb 14 oz	4:40 minutes	
4 times	2 lb 8 oz	6:30 minutes	



Pour utiliser la fonction ECO :

1. Appuyez sur le bouton « ECO » une fois; l'écran va noircir. Lorsque vous pesez un bouton ou ouvrez la porte du microonde, le mode « ECO » se dégagera, et l'écran retournera au défaut.

OU

2. Appuyez et tenez le bouton « ECO » pour 5 secondes; l'appareil sonnera. Ceci indique que les paramètres de défaut sont maintenant le mode « ECO ». C'est-à-dire, quand vous pesez un bouton or si vous laissez la porte ouverte, après 1 à 2 minutes sans activité, l'appareil se mettra en mode « ECO ». Pour dégager le mode « ECO », pesez et tenez le bouton « ECO » pour 5 secondes. L'appareil sonnera, et le mode « ECO » sera dégagé.

RÉGLAGE SÉCURITÉ POUR LES ENFANTS

Le verrou de sécurité pour enfants empêche les enfants d'utiliser le four microondes sans supervision.

- Pour régler le verrou, appuyez et maintenez le bouton Arrêt/Annuler (Stop/Clear) pendant 3 secondes alors que l'appareil est en mode de veille, et il sonnera. L'horloge apparaîtra, mais le four microondes ne fonctionnera pas.
- Pour annuler le verrou, appuyez et maintenez le bouton Arrêt/Annuler (Stop/Clear) pendant 3 secondes, et l'appareil sonnera. Le four microondes est maintenant fonctionnel.

Remarque : Lorsque la sécurité enfants est active, après appuyant sur un bouton sur l'appareil, l'écran affiche "LOC" et l'appareil émet un bip.

FONCTIONNEMENT

TECHNIQUES DE CUISSON

Votre four à micro-ondes rend la cuisine plus facile que la cuisine conventionnelle, à condition de tenir compte de ces considérations.

REMUER - Remuez les aliments comme les plats en sauce et les légumes pendant la cuisson pour répartir uniformément la chaleur. Les aliments situés à l'extérieur du plat absorbent plus d'énergie et chauffent plus rapidement; remuez donc de l'extérieur vers le centre. Le four à micro-ondes s'éteindra lorsque vous ouvrirez la porte pour remuer les aliments.

DISPOSITION - Disposez les aliments de forme inégale, comme des morceaux de poulet ou des côtelettes, de façon à ce que les parties plus épaisses soient situées vers l'extérieur du plateau rotatif, là où elles recevront le plus d'énergie des micro-ondes. Pour éviter la cuisson excessive, placez les sections délicates, comme les pointes d'asperges, vers le centre du plateau rotatif.

PROTECTION - Protégez les aliments avec de minces bandes de papier d'aluminium pour les empêcher de trop cuire. Les sections qui doivent être protégées comprennent les extrémités des ailes et des pattes des volailles, et les coins des plats de cuisson carrés. N'utilisez que de petites quantités de papier d'aluminium. De plus grandes quantités peuvent endommager votre micro-ondes.

RETOURNER - Retournez les aliments à la mi-cuisson afin d'exposer toutes les régions à l'énergie des micro-ondes. Ceci est particulièrement important lors de la cuisson de gros aliments, comme des rôtis.

REPOS - Les aliments cuits au four à micro-ondes accumulent de la chaleur interne et continuent de cuire pendant quelques minutes après la fin du chauffage. Laissez les aliments reposer pour terminer la cuisson, particulièrement les gâteaux et les légumes entiers. Les rôtis ont besoin de cette période de repos pour que le centre puisse finir de cuire sans que les parties extérieures cuisent trop. Tous les liquides, comme la soupe ou le chocolat chaud, doivent être agités ou remués à la fin de la cuisson. Laissez reposer les liquides un moment avant de les servir. Lorsque vous réchauffez des aliments pour bébés, mélangez-les bien lorsque vous les retirez du four et vérifiez la température avant de les servir.

AJOUT D'HUMIDITÉ - L'énergie des micro-ondes est attirée par les molécules d'eau. Les aliments dont la teneur en humidité n'est pas répartie de façon égale doivent être recouverts, ou doivent être laissés reposer quelque temps afin de permettre à la chaleur de se diffuser uniformément. Ajoutez une petite quantité d'eau aux aliments secs afin de les aider à cuire.

SOINS ET ENTRETIEN

L'intérieur de cet appareil est équipé de la technologie de nettoyage XpressClean. Lorsque les éclaboussures et les déversements d'aliments deviennent incrustés, humidifiez un linge ou une éponge, placez-le/la sur l'éclaboussure ou le déversement, exercez de la pression et essuyez.

Remarque : Assurez-vous que l'intérieur de l'appareil se refroidisse avant le nettoyage.

- Éteignez le four et retirez la fiche de courant de la prise murale avant de nettoyer celui-ci.
- Conservez l'intérieur du four propre. Lorsque la nourriture éclabousse ou coule sur les parois du four, essuyez avec un chiffon humide, en exerçant de la pression sur le linge ou l'éponge.
- Les surfaces extérieures doivent être nettoyées à l'aide d'un chiffon humide. Pour éviter d'endommager les pièces à l'intérieur du four, ne laissez pas de l'eau pénétrer dans les ouvertures de ventilation.
- Essuyez les deux faces du hublot à l'aide d'un chiffon humide pour éliminer tout liquide déversé ou toute éclaboussure.
- Évitez d'asperger d'eau le panneau de commande. Nettoyez avec un chiffon humide, doux. Lorsque vous nettoyez le panneau de commande, laissez la porte ouverte pour éviter la mise en marche accidentelle du four.
- Il est à l'occasion nécessaire de retirer le plateau tournant en verre pour le nettoyer. Nettoyez le plateau dans de l'eau tiède et savonneuse ou dans un lave-vaisselle.
- L'anneau qui assure la rotation du plateau et la partie inférieure du four devraient être nettoyés régulièrement afin d'éviter qu'ils fassent trop de bruit. Nettoyez simplement la surface inférieure du four avec un chiffon humide. On peut laver l'anneau à l'eau tiède savonneuse ou dans un lave-vaisselle. Veillez à remettre l'anneau à sa place lorsque vous le retirez du four pour le nettoyer.
- Pour éliminer les odeurs de votre four, mélangez une tasse d'eau avec le jus et l'écorce d'un citron dans un bol profond et placez ce bol pendant 5 minutes dans le four. Essuyez-le à fond et séchez à l'aide d'un chiffon doux.
- S'il vous faut remplacer l'ampoule du four, consultez un distributeur qui effectuera la tâche.
- Ne pas jeter cet appareil dans une poubelle domestique; il devrait être éliminé dans un centre de déchets municipal approprié.
- NE PAS HUMIDIFIER LA FEUILLE DE MICA EN NETTOYANT L'APPAREIL.

PANNES D'ÉLECTRICITÉ

- Dans le cas où on débranche le fil ou l'alimentation est coupée pendant plus de quelques secondes, l'horloge devra être réglée et le temps de cuisson restant reprogrammé.

DEPANNAGE

De temps en temps, un problème est mineur et un appel de service peut ne pas être nécessaire. Utilisez ce guide de dépannage pour trouver une solution possible. Si l'unité continue de fonctionner incorrectement, appelez un dépôt de service autorisé ou le **numéro sans frais de Danby** pour obtenir de l'assistance.

Tel: 1-800-26-**Danby**® (1-800-263-2629)

PROBLEME	CAUSE PROBABLE	SOLUTION
Le four à micro-ondes ne veut pas démarrer	<ul style="list-style-type: none"> Le cordon électrique du four à micro-ondes n'est pas branché La porte est ouverte Vous avez choisi une opération incorrecte 	<ul style="list-style-type: none"> Brancher dans la prise murale Fermer la porte et essayer à nouveau Consulter les instructions
Production d'arcs électrique ou d'étincelles	<ul style="list-style-type: none"> Des matériaux à éviter dans un four à micro-ondes ont été utilisés Le four est mis en fonction à vide Les aliments renversés demeurent dans la cavité 	<ul style="list-style-type: none"> Utiliser de la vaisselle allant au micro-ondes seulement Ne pas faire fonctionner quand le four est vide Nettoyer la cavité avec un chiffon humide
Aliments avec une cuisson inégale	<ul style="list-style-type: none"> Des matériaux à éviter dans un four à micro-ondes ont été utilisés Les aliments ne sont pas décongelés complètement La durée de cuisson et la puissance ne sont pas adéquates L'aliment n'est pas retourné ou remué 	<ul style="list-style-type: none"> Utiliser de la vaisselle allant au four à micro-ondes seulement Les aliments sont complètement décongelés Utiliser une durée de cuisson et une puissance appropriées Retourner ou remuer les aliments
Aliments trop cuits	<ul style="list-style-type: none"> La durée de cuisson et la puissance ne sont pas adéquates 	<ul style="list-style-type: none"> Utiliser un temps de cuisson et une puissance appropriés
Aliments mal cuits	<ul style="list-style-type: none"> Les matériaux à éviter dans un four à micro-ondes ont été utilisés Les aliments ne sont pas décongelés complètement Les ouvertures d'aération du four sont bloquées Le temps de cuisson et la puissance ne sont pas adéquates 	<ul style="list-style-type: none"> Utiliser de la vaisselle allant au four à micro-ondes seulement Les aliments sont complètement décongelés Assurez-vous que les ouvertures d'aération du four ne sont pas bloquées Utiliser un temps de cuisson et une puissance appropriés
Mauvaise décongélation	<ul style="list-style-type: none"> Des matériaux à éviter dans un four à micro-ondes ont été utilisés La durée de cuisson et la puissance ne sont pas adéquates L'aliment n'a pas été retourné ou remué 	<ul style="list-style-type: none"> N'utiliser que de la vaisselle compatible avec les fours à micro-ondes Utiliser une durée de cuisson et une puissance appropriées Remuer ou retourner les aliments pendant la décongélation

GARANTIE LIMITÉE SUR APPAREIL ÉLECTROMÉNAGER

Cet appareil de qualité est garanti exempt de tout vice de matière première et de fabrication, s'il est utilisé dans les conditions normales recommandées par le fabricant.

Cette garantie n'est offerte qu'à l'acheteur initial de l'appareil vendu par Danby Products Limited (Canada) ou Danby Products Inc. (E.- U. A.) (ci-après « Danby ») ou par l'un des ses distributeurs agréés et elle ne peut être transférée.

CONDITIONS

Les pièces en plastique sont garanties pour trente (30) jours seulement à partir de la date de l'achat, sans aucune prolongation prévue.

Premiers 12 mois Pendant les premiers douze (12) mois, toutes pièces fonctionnelles de ce produit qui s'avèrent défectueuses seront réparées ou remplacées, selon le choix du garant, sans frais à l'acheteur INITIAL.

Pour bénéficier du service Le client sera responsable pour le transport et tous les frais d'expédition de tout appareil exigeant le service au dépôt de service autorisé le plus proche. S'adresser au détaillant qui a vendu l'appareil, ou à la station technique agréée de service la plus proche, où les réparations doivent être effectuées par un technicien qualifié. Si les réparations sont effectuées par quiconque autre que la station de service agréée où à des fins commerciales, toutes les obligations de Danby en vertu de cette garantie seront annulées.

Aucune partie de la garantie ne prévoit implicitement que le fabricant sera tenu responsable des dommages subis par les aliments ou d'autres types de contenu, qu'ils soient causés par la défectuosité de l'appareil ou par son usage adéquat ou inadéquat.

EXCLUSIONS

En vertu de la présente, il n'existe aucune autre garantie, condition ou représentation, qu'elle soit exprimée ou tacite, de façon manifeste ou intentionnelle, par Danby ou ses distributeurs agréés. De même, sont exclues toutes les autres garanties, conditions ou représentations, y compris les garanties, conditions ou représentations en vertu de toute loi régissant la vente de produits ou de toute autre législation ou règlement semblables.

En vertu de la présente, Danby ne peut être tenue responsable en cas de blessures corporelles ou des dégâts matériels, y compris à l'appareil, quelle qu'en soit les causes. Danby ne peut pas être tenue responsable des dommages indirects dus au fonctionnement défectueux de l'appareil. En achetant l'appareil, l'acheteur accepte de mettre à couvert et de dégager Danby de toute responsabilité en cas de réclamation pour toute blessure corporelle ou tout dégât matériel causé par cet appareil.

CONDITIONS GÉNÉRALES

La garantie ou assurance ci-dessus ne s'applique pas si les dégâts ou réparations sont dus aux cas suivants :

- 1) Panne de courant.
- 2) Dommages subis pendant le transport ou le déplacement de l'appareil.
- 3) Alimentation électrique incorrecte (tension faible, câblage défectueux, fusibles incorrects).
- 4) Accident, modification, emploi abusif ou incorrect de l'appareil tel qu'une circulation d'air inadéquate dans la pièce ou des conditions de fonctionnement anormales (température extrêmement élevée ou basse).
- 5) Utilisation dans un but commercial ou industriel (à savoir, si l'appareil n'est pas installé dans un domicile résidentiel).
- 6) Incendie, dommages causés par l'eau, vol, guerre, émeute, hostilités, cas de force majeure (ouragan, inondation, etc.).
- 7) Visites d'un technicien pour expliquer le fonctionnement de l'appareil au propriétaire.
- 8) Installation inappropriée (par exemple, encastrement d'un appareil autoportant, ou utilisation extérieure d'un appareil non conçu à cet effet). Une preuve d'achat doit être présentée pour toute demande de réparation sous garantie. Prière de garder le reçu. Pour faire honorer la garantie, présenter ce document à la station technique agréée ou s'adresser à :

Service sous garantie
En Atelier

Danby Products Limited
PO Box 1778, Guelph, Ontario, Canada N1H 6Z9
Téléphone: (519) 837-0920 Télécopieur: (519) 837-0449

1-800-263-2629
03/14

Danby Products Inc.
PO Box 669, Findlay, Ohio, U.S.A. 45840
Téléphone: (419) 425-8627 Télécopieur: (419) 425-8629

Gracias por elegir Danby

Sabemos que está emocionado. Nosotros lo estamos también! Sin embargo, cuanto más se familiarice con su nuevo aparato, mejor será su experiencia. Por lo tanto le sugerimos de manera especial que lea **este manual de instrucciones antes de conectar su nuevo aparato**. Este manual contiene importante información operacional que le ayudará a hacer un uso completo de las características técnicas disponibles en su aparato Danby. El manual también contiene información diseñada para mejorar la fiabilidad y seguridad operacional de su aparato, así como consejos para el mantenimiento del mismo, lo que le traerá felicidad en los años venideros.

Por favor, visite www.danby.com para acceder a herramientas de autoservicio, preguntas frecuentes y más. En caso de necesitar asistencia adicional, por favor llame al 1-800-26-DANBY (1-800-263-2629). Por favor tenga disponible su recibo de compra y número de modelo cuando llame.

Nota: Esta información será necesaria si su unidad requiere servicio o para hacer consultas generales. Para recibir servicio técnico debe sonstrar el recibo original.

Número de modelo: _____
Número de serie: _____
Fecha de la compra: _____

NECESITA AYUDA

Antes de solicitar servicio, hay algunas cosas que puede hacer para ayudarnos a servirle mejor:

Lea este manual:

Contiene instrucciones que lo ayudarán a mantener correctamente su unidad.

Si usted recibe un artefacto dañado:

Llame inmediatamente al distribuidor (o constructor) que se lo vendió.

Ahorre tiempo y dinero:

Lea la sección de Diagnóstico de problemas antes de llamar. Esta sección le ayudará a resolver problemas comunes que pudieran ocurrir.

Si necesita asistencia, no se preocupe y llámenos.





INFORMACIÓN IMPORTANTE SOBRE SEGURIDAD

LEA Y SIGA TODAS LAS INSTRUCCIONES DE SEGURIDAD

DECLARACIÓN DE INTERFERENCIAS DE RADIOFRECUENCIA DE LA COMISIÓN FEDERAL DE COMUNICACIONES (EE. UU. ÚNICAMENTE)

Este equipo genera y utiliza frecuencias ISM (industriales, científicas y médicas) y si no se instala y usa correctamente, es decir, en estricta conformidad con las instrucciones del fabricante, puede ocasionar interferencias en la recepción de radio y televisión. Se ha probado y se determinó que cumple con los límites para equipos ISM, según la Parte 18 de las Reglas de la FCC (Comisión Federal de Comunicaciones), que están diseñadas para proporcionar una protección razonable contra tal interferencia en una instalación residencial.

Sin embargo, no se garantiza la inexistencia de interferencias en las instalaciones particulares. Si este equipo genera interferencias en la recepción de radio o televisión, lo cual puede determinarse mediante el apagado y encendido del equipo, el usuario puede intentar corregir la interferencia realizando las siguientes acciones:

- Reorientar la antena receptora de la radio o televisión.
- Reubicar el horno de microondas con respecto al receptor.
- Alejar el horno de microondas del receptor.
- Conectar el microondas a una toma de corriente diferente para que el microondas y el receptor estén en circuitos derivados distintos.



El fabricante no es responsable de ninguna interferencia de radio o televisión ocasionada por la MODIFICACIÓN NO AUTORIZADA de este horno de microondas. Es responsabilidad del usuario corregir tal interferencia.

El dispositivo ISM cumple con la norma canadiense ICES-001.

PRECAUCIONES PARA EVITAR LA POSIBLE EXPOSICIÓN A UNA ENERGÍA EXCESIVA DEL MICROONDAS

Para su seguridad, se debe seguir la información de este manual para minimizar el riesgo de incendio o explosión o para evitar daños a la propiedad, lesiones personales o la muerte.

No intente hacer funcionar este horno con la puerta abierta ya que el funcionamiento con la puerta abierta podría ocasionar una exposición nociva a la energía del microondas. Es importante no alterar ni modificar los enclavamientos de seguridad.

No coloque ningún objeto entre la parte frontal del horno y la puerta ni permita que se acumule suciedad o residuos de productos de limpieza en las superficies de sellado.

No haga funcionar el horno si está dañado. Es particularmente importante que la puerta del horno cierre correctamente y que no haya daños en:

1. La puerta (torcida).
2. Las bisagras y pestillos (rotos o flojos).
3. Las juntas de la puerta y las superficies de sellado.

Solamente personal de mantenimiento correctamente calificado debe ajustar o reparar el horno.

¡GUARDE ESTAS INSTRUCCIONES!



INSTRUCCIONES IMPORTANTES DE SEGURIDAD

LEA Y SIGA TODAS LAS INSTRUCCIONES DE SEGURIDAD

ADVERTENCIA IMPORTANTE

Esta unidad necesita funcionar en su propio circuito dedicado de 15 amperios. **NO CONECTE NINGUNA OTRA COSA A ESE CIRCUITO.**

ADVERTENCIA IMPORTANTE

Para reducir el riesgo de incendio, descargas eléctricas o lesiones físicas, o exposición a exceso de energía del horno de microondas al utilizar su electrodoméstico, siga las siguientes instrucciones:

1. Lea todas las instrucciones antes de utilizar el electrodoméstico.
2. Lea y siga las "PRECAUCIONES PARA EVITAR LA POSIBLE EXPOSICIÓN A ENERGÍA EXCESIVA DE MICROONDAS."
3. Este electrodoméstico debe estar conectado a tierra. Enchúfelo solamente en un tomacorriente debidamente conectado a tierra. Consulte "INSTRUCCIONES PARA LA CONEXIÓN A TIERRA."
4. Instale o coloque este artefacto siguiendo específicamente las instrucciones de instalación provistas.
5. Ciertos productos, como huevos enteros o recipientes sellados (por ej. jarras de vidrio cerradas) pueden explotar, por lo que no deben calentarse en este horno.
6. Utilice este electrodoméstico solamente para su uso previsto como se describe en este manual. No utilice vapores ni productos químicos corrosivos. Este tipo de horno está específicamente diseñado para calentar, cocinar o secar comida. No fue diseñado para un uso industrial ni de laboratorio.
7. Al igual que con cualquier otro electrodoméstico, se debe controlar de cerca el uso que hagan de él los niños.
8. Para reducir el riesgo de incendio en la cavidad del horno:
 - No cocine de más los alimentos. Preste atención al aparato al introducir papel, plástico u otros materiales combustibles para facilitar la cocción.
 - Retire las sujeciones de alambre de bolsas plásticas o de papel antes de colocarlas en el horno.
 - Si lo colocado en el horno se incendiara, mantenga cerrada la puerta del horno, apáguelo y desconecte el cable de alimentación o la corriente desde el panel de fusibles o disyuntores.
 - No utilice el interior del horno para almacenar. No deje productos de papel, utensilios de cocina ni alimentos en el interior mientras no esté en uso.
9. Los líquidos como agua, café o té pueden llegar a calentarse demasiado y exceder el punto de ebullición sin que parezca que están hirviendo. No siempre se observan burbujas o signos de ebullición cuando se saca el recipiente del horno de microondas. **ESTO PUEDE TENER COMO RESULTADO QUE SE DERRAME INESPERADAMENTE LÍQUIDO CALIENTE AL TOMAR EL RECIPIENTE O CUANDO SE COLOQUE UNA CUCHARA U OTRO UTENSILIO EN EL LÍQUIDO.** Para evitar lesiones personales:
 - No caliente excesivamente los líquidos.
 - Revuelva el líquido antes de calentarlo y a la mitad del proceso.
 - No utilice recipientes con laterales planos y cuellos angostos.
 - Luego de calentar, deje el recipiente en el horno microondas por un momento antes de retirarlo.
 - Sea extremadamente cuidadoso al introducir una cuchara u otro utensilio en el recipiente.
10. No caliente aceite ni grasa para realizar frituras. Es difícil controlar la temperatura del aceite en un horno microondas.
11. Perfore los alimentos de cáscara gruesa, como papas, calabazas enteras, manzanas o castañas.
12. El contenido de biberones y alimentos para bebés debe revolverse o agitarse, y se debe controlar la temperatura antes de servirlos para evitar quemaduras.
13. Los utensilios de cocina pueden calentarse al transferirse la temperatura de los alimentos calentados. Tal vez deban usarse manoplas para horno para manejarlos.
14. No cubra ni bloquee ninguna abertura del electrodoméstico.
15. No almacene ni utilice este artefacto al aire libre. No lo utilice cerca de agua, por ejemplo, cerca de la pila de la cocina, en un sótano con humedad, cerca de una piscina, o en ubicaciones similares.
16. No utilice el artefacto si el cable o el enchufe están dañados, si no funciona debidamente ni si se ha dañado o caído.
17. No sumerja en agua el cable ni el enchufe. Mantenga el cable lejos de superficies calientes. El cable no debe colgar por debajo del borde de una mesa o encimera.
18. Use solo termómetros especialmente diseñados para su uso en hornos microondas.
19. No utilice ningún artefacto de calefacción ni cocción detrás de este artefacto.
20. Al utilizar el horno, corrobore que el plato de vidrio y el anillo de rotación estén debidamente colocados.
21. Solo personal calificado podrá realizar el mantenimiento de este artefacto; comuníquese con el servicio de mantenimiento autorizado más cercano para el diagnóstico, reparación o ajuste del aparato.
22. Al limpiar superficies de la puerta y el horno que entran en contacto al cerrar la puerta, utilice jabones o detergentes suaves y no abrasivos, y aplíquelos con una esponja o paño suave.

¡GUARDE ESTAS INSTRUCCIONES!



INSTRUCCIONES IMPORTANTES DE SEGURIDAD

NOTAS ESPECIALES SOBRE EL USO DEL MICROONDAS

ARCO ELÉCTRICO Si observa arcos eléctricos, presione el botón « STOP » DETENER y corrija el problema. Arco eléctrico es el término del microondas para las chispas en el horno.

El arco eléctrico es ocasionado por:

- Metal o papel aluminio en contacto con las paredes del horno.
- Papel aluminio no amoldado a la comida (los bordes hacia arriba actúan como antenas).
- Metal, como tiras para torcer, alfileres para aves o platos con adornos dorados en el microondas.
- Toallas de papel reciclado que contienen trozos pequeños de metal y que se usan en el microondas.

COMIDAS

- Cocine palomitas de maíz en su horno de microondas solo en un plato accesorio especial para cocinar palomitas en microondas, a menos que use palomitas de maíz indicadas para usarse en hornos de microondas.
- Algunos productos como huevos enteros (con cáscara), recipientes sellados y jarras cerradas explotarán y no deben calentarse en este horno de microondas. Calentar estos productos en el microondas puede ocasionar lesiones.
- No hierva huevos en un horno de microondas. Aumentará la presión dentro de la yema del huevo y hará que explote, lo que puede ocasionar lesiones.
- Si se pone en funcionamiento el microondas sin comida, el horno puede dañarse y se podría iniciar un incendio. Hace que aumente el calor alrededor del magnetron y puede acortar la vida útil del horno.
- Las comidas con “piel” exterior intacta, como papas, hot dogs, salchichas, tomates, manzanas, hígado de pollo y otras vísceras de ave y yemas de huevos, se deben agujerear para permitir que escape vapor antes de cocinarse.

DATO DE SEGURIDAD

El agua y otros líquidos calentados en el microondas no siempre hacen burbujas cuando alcanzan su punto de ebullición; de hecho pueden sobrecalentarse y no formar burbujas. Los líquidos sobrecalentados pueden derramarse cuando se los mueve o cuando se coloca una cuchara o bolsa de té, por ejemplo. Para evitar que esto ocurra y cause lesiones, no caliente ningún líquido durante más de 2 minutos por taza. Después de calentar una taza, déjela en el microondas durante 30 segundos antes de moverla o de colocarle algo.

- Evite calentar comida para bebé en frascos de vidrio, incluso si no tienen tapa. Asegúrese de que todas las comidas para niños se cocinen por completo. Revuelva la comida para distribuir el calor de manera uniforme. Al calentar leche de fórmula tenga cuidado de que no hierva. El recipiente puede parecer más frío de lo que realmente está la leche. Siempre pruebe la leche antes de alimentar al bebé.

- Ebullición espontánea: en algunas circunstancias, los líquidos pueden comenzar a hervir durante o al poco tiempo de sacarlos del horno de microondas. Para evitar quemaduras a causa de salpicaduras de líquidos, recomendamos lo siguiente:

Antes de retirar el recipiente del horno, déjelo en el horno durante 30 a 40 segundos. No hervir líquidos en recipientes con cuellos angostos tales como botellas de refresco, botellas de vino y en especial tazas de café de cuello angosto. Incluso si el recipiente está abierto, se puede acumular vapor en exceso y hacer que explote o se derrame.

- No descongele bebidas congeladas en botellas de cuello angosto (en especial bebidas carbonatadas). La presión se puede acumular incluso si el recipiente está abierto. Esto puede ocasionar que el recipiente explote y cause lesiones.
- Las comidas calientes y el vapor pueden causar quemaduras. Tenga cuidado al abrir cualquier recipiente de comida caliente, incluidas las bolsas de palomitas de maíz, bolsas y cajas para cocinar. Para evitar posibles lesiones, aleje el vapor de las manos y la cara.
- No cocine demasiado las papas. Se podrían deshidratar e incendiar, lo cual dañaría su horno.
- Cocine la carnes rojas y de ave por completo: la carne roja a una temperatura INTERNA mínima de 160 °F (71.1 °C) y la carne de ave a una temperatura INTERNA mínima de 180 °F (82.2 °C). Al cocinar hasta alcanzar estas temperaturas por lo general se protege de las enfermedades transmitidas por los alimentos.



INFORMACIÓN IMPORTANTE SOBRE SEGURIDAD

NOTAS ESPECIALES SOBRE EL USO DEL MICROONDAS

MATERIALES ACEPTABLES

PRECAUCIÓN: PELIGRO DE LESIONES FÍSICAS

Los recipientes cerrados herméticamente podrían explotar. Los recipientes cerrados deben abrirse y las bolsas de plástico agujerearse antes de cocinar.

Esta sección indica qué utensilios se pueden usar en el microondas, cuáles tienen un uso limitado durante períodos cortos y cuáles no se deben usar en el microondas.

RECOMENDADOS

Sartenes para microondas: úselos para dorar el exterior de elementos pequeños, como bistecs, costillas o panqueques. Siga las instrucciones proporcionadas con su sartén para microondas.

Papel plástico para envolver apto para microondas: úselos para conservar el vapor. Deje una pequeña abertura para que escape algo de vapor y evite colocarlo directamente sobre la comida.

Toallas y servilletas de papel: úselos para calentar y cubrir a corto plazo; absorben el exceso de humedad y evitan las salpicaduras. No use toallas de papel reciclado, que pueden contener metal y podrían encenderse.

Tazones y platos de vidrio y vidrio cerámico: úselos para calentar o cocinar.

Platos y tazas de papel: úselos para calentar por breves instantes a bajas temperaturas. No use papel reciclado, que puede contener metal y podría encenderse.

Papel de cera: use como revestimiento para evitar salpicaduras.

Termómetros: use solamente los que tienen una etiqueta que indica "Seguro para microondas" y siga todas las indicaciones. Revise la comida en varias partes. Los termómetros convencionales pueden usarse en la comida del microondas una vez que ésta se ha retirado del microondas.

USO LIMITADO

Papel aluminio: use tiras angostas de aluminio para evitar que se quemen las partes expuestas. Al utilizar demasiado aluminio puede dañar su horno, por lo tanto sea cuidadoso. Debe mantener una distancia de 1 pulgada (2.54 cm) entre el papel de aluminio y la cavidad del microondas.

Cacerolas de cerámica, porcelana y gres: úselas solamente si tienen una etiqueta que indica "Seguro para microondas". Si no tienen ninguna indicación, pruébelos para asegurarse de que los puede usar de manera segura.

Plástico: úselo solamente si tiene una etiqueta que indica "Seguro para microondas". Otros plásticos se pueden derretir.

NO RECOMENDADO

Botellas y jarras de vidrio: el vidrio común es demasiado fino como para usarse en un microondas. Puede romperse y ocasionar daños y lesiones.

Bolsas de papel: implican un riesgo de incendio, a excepción de las bolsas para palomitas de maíz que están diseñadas para usarse en microondas.

Platos y tazas de poliestireno: pueden derretirse y dejar un residuo insalubre en la comida.

Recipientes de plástico para comidas y almacenamiento: los recipientes como los tubos de margarina pueden derretirse en el microondas.

Utensilios de metal: pueden dañar su horno. Quite todo el metal antes de cocinar.

Nota:

Si quiere saber si un plato es seguro para el uso en microondas, coloque el plato vacío en el horno y caliente en HIGH (alto) durante 30 segundos. Si un plato se calienta mucho no debe usarse.



INFORMACIÓN IMPORTANTE SOBRE SEGURIDAD

LEA Y SIGA TODAS LAS INSTRUCCIONES DE SEGURIDAD

INSTRUCCIONES PARA LA CONEXIÓN A TIERRA

PELIGRO: PELIGRO DE DESCARGA ELÉCTRICA

Tocar algunos de los componentes internos puede causar graves lesiones o la muerte. NO desarme este electrodoméstico.

Enchufe de tres patas
(para conexión a tierra)



ADVERTENCIA: PELIGRO DE DESCARGA ELÉCTRICA

La inadecuada conexión a tierra puede generar una descarga eléctrica. No enchufe la unidad a una toma de corriente hasta que el electrodoméstico esté bien conectado a tierra.

Este electrodoméstico debe conectarse a tierra. En caso de un cortocircuito eléctrico, la conexión a tierra reduce el riesgo de descarga eléctrica al proporcionar un cable de escape para la corriente eléctrica. Este electrodoméstico está equipado con un cable de conexión a tierra y un enchufe de conexión a tierra. El enchufe debe conectarse en una toma de corriente correctamente instalada y conectada a tierra.

Consulte a un técnico o electricista calificado si las instrucciones para la conexión a tierra no se entienden por completo o si tiene dudas de que el electrodoméstico esté correctamente conectado a tierra. Si es necesario utilizar una extensión, use únicamente un cable de extensión trifásico que tenga un enchufe de conexión a tierra de tres patas y un receptáculo de tres ranuras que acepte el enchufe en el electrodoméstico. El valor nominal indicado en la extensión debe ser igual o superior al valor eléctrico nominal del electrodoméstico.

Se proporciona un cable eléctrico corto para reducir el riesgo de enredarse o tropezarse con un cable más largo.

Existen cables eléctricos más largos o extensiones y pueden utilizarse si se tiene cuidado en su uso.

Si se utilizan cables eléctricos largos o extensiones:

- 1) El valor nominal eléctrico indicado del cable eléctrico o extensión debe ser al menos igual al valor eléctrico del electrodoméstico.
- 2) La extensión debe ser un cable de tres puntas con conexión a tierra.
- 3) El cable se debe ubicar de manera que no cuelgue de la barra o mesa, ya que los niños podrían jalarlo o tropezarse involuntariamente.

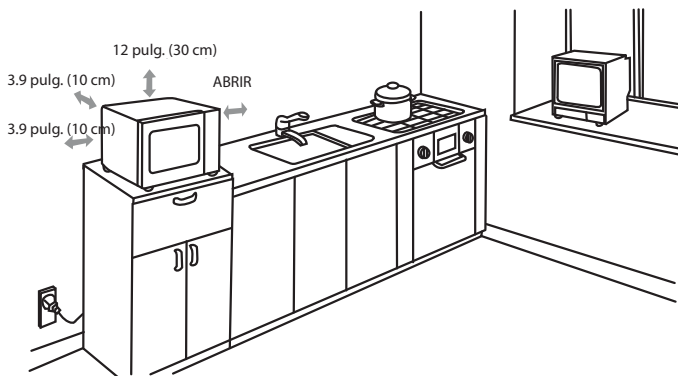
Modelo:	DMW12A4BDB / DMW12A4SDB / DMW12A4WDB
Tensión nominal:	120V ~ 60 Hz
Potencia de entrada nominal:	1200W
Potencia de salida nominal:	1650W
Capacidad del horno:	1,2 cu.ft.
Dimensiones exteriores:	539 mm ancho x 300 mm altura x 450 mm profundidad (21,22" x 11,81" x 17,72")
Peso neto:	17,3 kg (38,1 lbs)

Modelo:	DMW14A4SDB
Tensión nominal:	120V ~ 60 Hz
Potencia de entrada nominal:	1200W
Potencia de salida nominal:	1650W
Capacidad del horno:	1,4 cu.ft.
Dimensiones exteriores:	553 mm ancho x 311 mm altura x 440 mm profundidad (21,77" x 12,24" x 17,32")
Peso neto:	18 kg (39,7 lbs)

GUÍA DE INSTALACIÓN

INSTALACIÓN ENCIMERA

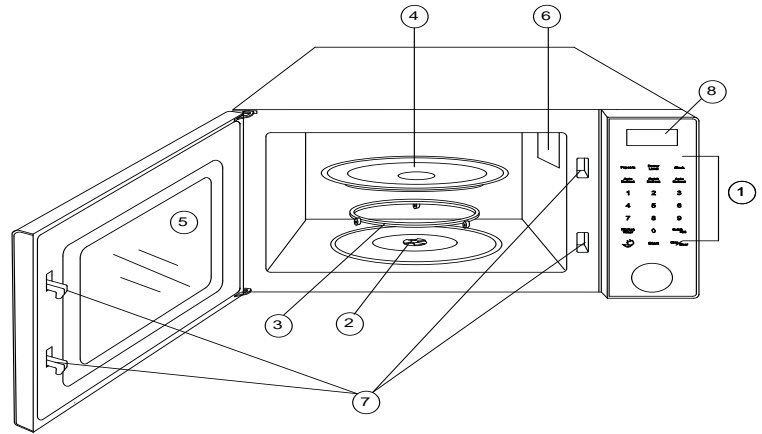
1. Asegúrese de que se hayan quitado todos los materiales de embalaje del interior de la puerta o en la superficie del gabinete. **No quite la hoja de mica marrón claro que está pegada a la cavidad del horno para proteger el magnetrón.**
2. Revise que el horno no tenga ningún daño, como una puerta torcida o desalineada, juntas de la puerta y superficie de sellado dañados, bisagras y pestillos rotos o flojos y abolladuras dentro de la cavidad o en la puerta. Si observa algún daño, no haga funcionar el horno y contáctese con personal de mantenimiento calificado.
3. Este microondas se debe colocar sobre una superficie nivelada y estable para soportar su peso y las comidas más pesadas que probablemente se cocinen en el horno.
4. No coloque el horno en lugares donde se genere calor, vaho o mucha humedad, ni tampoco cerca de materiales inflamables.
5. Para un funcionamiento correcto, el horno debe tener un flujo de aire suficiente. Permita que haya un espacio de 30 cm arriba del horno, 10 cm en la parte posterior y 10 cm en ambos costados (vea el esquema). No cubra ni bloquee ninguna apertura en el electrodoméstico. No quite la base sobre la que se apoya el horno.
6. No haga funcionar el horno si la bandeja de vidrio, el soporte del rodillo y el eje no están en sus posiciones correctas.
7. Asegúrese de que el cable de alimentación eléctrica no esté dañado y que no pase por debajo del horno ni sobre ninguna superficie caliente o cortante.
8. Se debe poder acceder fácilmente a la toma de corriente para que pueda desconectarse con facilidad en caso de una emergencia. La toma de corriente debe tener el mismo voltaje y frecuencia que se indican en la etiqueta de valor nominal del electrodoméstico.
9. Coloque el microondas alejado de radios y televisores para evitar interferencias.




INSTRUCCIONES DE FUNCIONAMIENTO

NOMBRES DE LAS PARTES

1. Panel de control
2. Eje de la bandeja giratoria
3. Aro giratorio
4. Bandeja de vidrio
5. Ventana del horno
6. Hoja de mica (no retire)
7. Sistema de traba de seguridad de la puerta
8. Despleger



PANEL DE CONTROL Y FUNCIONES

- **Popcorn** - Úselo para cocinar palomitas de maíz de acuerdo con el tamaño de la bolsa
- **Power Level** - Se utiliza para ajustar el nivel de alimentación antes de cocinar y durante la cocción, y para el nivel de primera potencia verifi durante cocinar.
- **Clock** - Úselo para ajustar el reloj
- **Auto Defrost** - Úselo para descongelar de acuerdo con el peso
- **Quick Defrost** - Le permite descongelar rápidamente los alimentos
- **Auto Reheat** - Úselo para recalentar comida
- **Teclado numérico (0-9)**
- **Kitchen Timer** - Úselo para ajustar un temporizador
- **Quick +30** - Agrega 30 segundos al tiempo de cocción o cocina durante 30 segundos al 100% de la potencia
- **Stop/Clear** - Borra todos los ajustes previos antes de empezar a cocinar. Presionar una vez para detener el microondas, y dos veces para detenerlo y borrar todos los ajustes.
- **Eco**  - Prende y apaga la pantalla cuando está en reposo
- **Start** - Comenzar a cocinar.



INSTRUCCIONES DE FUNCIONAMIENTO

NIVELES DE POTENCIA VARIABLES

Nivel	10	9	8	7	6	5	4	3	2	1
Energía	100%	90%	80%	70%	60%	50%	40%	30%	20%	10%
Pantalla	P100	P-90	P-80	P-70	P-60	P-50	P-40	P-30	P-20	P-10

CONFIGURACIÓN DEL RELOJ

1. Toque CLOCK una vez para que aparezca un reloj de 12 horas, toque CLOCK dos veces para que aparezca un reloj de 24 horas.
2. Use el teclado numérico para ingresar la hora actual.
3. Toque nuevamente CLOCK o START.

CONFIGURACIÓN DE UN PROGRAMA DE COCCIÓN

1. Ingrese el tiempo de cocción en minutos y segundos mediante el teclado numérico. (El tiempo máximo de cocción que puede programar es 99 minutos y 99 segundos).
2. Presione "POWER" una vez, la pantalla mostrará "PL10." El nivel de potencia por defecto es 100%. Puede ajustar el nivel de potencia presionando varias veces el botón Power.
3. Presione "START" para comenzar a cocinar.

CONFIGURACIÓN DEL TEMPORIZADOR

1. Toque KITCHEN TIMER.
2. Ingrese la cantidad de tiempo mediante el teclado numérico (el tiempo máximo es de 99 minutos y 99 segundos).
3. Toque START.
4. Cuando el temporizador llega a cero, la unidad emite pitidos.

Nota: Para cancelar el temporizador, toque KITCHEN TIMER y luego Stop/Clear.

DESCONGELADO RÁPIDO

1. Toque QUICK DEFROST, la unidad comenzará a descongelar automáticamente por 2 minutos.
2. Para agregar más tiempo mientras esté funcionando, use el teclado numérico. El tiempo máximo es de 98 minutos.

DESCONGELAMIENTO AUTOMÁTICO

1. Toque AUTO DEFROST.
2. Use el teclado numérico para ingresar el peso a descongelar (en onzas). El peso máximo es de 90 onzas.

INSTRUCCIONES DE FUNCIONAMIENTO

MAÍZ PALOMERO (POPCORN)

La función Popcorn tiene 3 tamaños pre-programados de palomitas de maíz: Mini, Regular y Bowl.

- Presione POPCORN una vez para Mini, dos veces para Regular y 3 veces para Bowl

Presiona el botón:	Monitor (Peso)	Horas 1.2 pie cúbico / 1.4 pie cúbico	Nivel de energía
1 hora	MINI (45g / 1.6 oz)	1:35 / 1:35 minutos	P-100
2 horas	REG (100g / 3.5 oz)	2:00 / 2:10 minutos	
3 horas	BOWL (86g / 3 oz)	1:50 / 2:00 minutos	

RECALENTAMIENTO AUTOMÁTICO

1. Presione el botón AUTO REHEAT basándose en la tabla de abajo para elegir el tiempo de recalentamiento.
2. Presione START.

Presiona el botón:	Peso	Horas	Nivel de energía
1 hora	12 oz	2:00 minutos	P-100
2 horas	1 lb 2 oz	2:45 minutos	
3 horas	1 lb 14 oz	4:40 minutos	
4 horas	2 lb 8 oz	6:30 minutos	



Para utilizar la función ECO:

1. Pulse la tecla "ECO" una vez; la pantalla se volverá negra. Si usted presiona cualquier botón o abre la puerta del horno microondas, el modo "ECO" se va a deshabilitar y la pantalla volverá a los valores iniciales.
- O
2. Mantenga pulsado el botón "ECO" durante 5 segundos; la unidad sonará para indicar que la configuración predeterminada es ahora el modo "ECO". Es decir, que cuando usted presione un botón o si abre la puerta después de 1-2 minutos de inactividad, el dispositivo regresará al modo "ECO" por defecto. Para apagar el modo "ECO", presione el botón "ECO" durante 5 segundos hasta que la unidad haga un sonido confirmando que el modo está desactivado.

CONFIGURACIÓN DEL SEGURO PARA NIÑOS

El Child Lock evita que los niños puedan usar el microondas sin supervisión.

- Para activar la traba, con la unidad en reposo, mantenga presionado el botón Stop/Clear durante 3 segundos, la unidad emitirá un pitido. Se verá el reloj, pero el microondas no funcionará.
- Para cancelar la traba, mantenga presionado el botón Stop/Clear durante 3 segundos, la unidad emitirá un pitido. Ahora funcionará el microondas.

Nota: Cuando el seguro de niños está activo, después de presionar cualquier botón en la unidad, la pantalla mostrará el mensaje "LOC" y la unidad emitirá un sonido.

INSTRUCCIONES DE FUNCIONAMIENTO

MÉTODOS DE COCCIÓN

Si tiene en cuenta las siguientes consideraciones, la cocción con el horno microondas será más fácil que con el método convencional.

MEZCLAR: Mezcle las comidas, como guisos y verduras, durante su cocción para distribuir bien el calor. La comida ubicada en los bordes del plato absorbe más energía y se calienta más rápidamente; mezcle desde los bordes hacia el centro. El horno se detendrá al abrir la puerta para mezclar los alimentos.

DISTRIBUCIÓN: Distribuya los alimentos de distintos tamaños, como piezas de pollo o costillas, colocando las partes más gruesas y con más carne hacia los bordes de la placa giratoria para que reciban más energía de microondas. Para evitar la sobrecocción, ubique las zonas delicadas, como puntas de espárragos, hacia el centro de la placa giratoria.

PROTECCIÓN: Proteja la comida con tiras angostas de papel de aluminio para evitar su sobrecocción. Algunas partes que requieren protección: puntas de alas de pollo, extremos de patas de pollo y esquinas de fuentes para hornear cuadradas. Use solo pequeñas cantidades de papel de aluminio. Usar grandes cantidades puede dañar el horno.

VOLTEAR: Dé vuelta los alimentos a mitad de cocción para que todas las partes queden expuestas a la energía de microondas. Este aspecto es muy importante en comidas de gran volumen, como carne asada.

REPOSO: Los alimentos cocidos con microondas acumulan calor interno y siguen cociéndose durante algunos minutos después de finalizado el programa. Déjelos reposar para completar la cocción, especialmente en el caso de pasteles y verduras enteras. Las carnes asadas precisan de este tiempo adicional para completar la cocción del centro sin que se cuezan en exceso las partes exteriores. Todos los líquidos, como la sopa o el chocolate caliente, se deben agitar o mezclar al finalizar su cocción. Déjelos reposar un momento antes de servir. Al cocinar comida para bebés, mézclela bien después de retirarla y compruebe su temperatura antes de servir.

HUMEDAD AÑADIDA: La energía de microondas es atraída hacia las moléculas de agua. Los alimentos con diferencias en el contenido de humedad deben cubrirse o dejarse reposar para que el calor se distribuya uniformemente. Agregue una pequeña cantidad de agua a los alimentos secos para facilitar su cocción.

CUIDADO Y MANTENIMIENTO

El interior de la unidad está equipado con tecnología XpressClean. Una vez que las salpicaduras y derrames dentro de su microondas se hayan cocinado, simplemente humedezca un trapo o una esponja, coloque el trapo sobre la salpicadura, aplique presión y límpiela.

Nota: Asegúrese de que el interior de la unidad se haya enfriado antes de limpiarlo.

- Antes de limpiarlo, apague el horno y desconecte el enchufe de alimentación del tomacorriente.
- Mantenga limpio el interior del horno. Si se salpica comida o líquidos a las paredes del horno, limpie con un paño húmedo, mientras presiona con el trapo o la esponja.
- Las superficies exteriores deben limpiarse con un paño húmedo. Para evitar daños a las piezas de funcionamiento interno del horno, no debe filtrarse agua por los orificios de ventilación.
- Limpie la ventana del horno de ambos lados con un paño húmedo para quitar salpicaduras o derrames.
- Evite que el panel de control se humedezca. Límpielo con un paño suave y húmedo. Al limpiar el panel de control, mantenga la puerta del horno abierta para evitar que se encienda por accidente.
- Ocasionalmente, es necesario retirar la bandeja de vidrio para su limpieza. Lávela en agua tibia jabonosa o en el lavavajillas.
- El anillo de rotación y la base del horno se deben limpiar con regularidad para evitar un ruido excesivo. Simplemente limpie la base del horno con un paño húmedo. El anillo de rotación puede lavarse con agua tibia jabonosa o en el lavavajillas. Si quita el anillo de rotación de la cavidad para limpiarlo, asegúrese de volver a colocarlo en la posición correcta.
- Elimine los olores del horno colocando una taza de agua y el jugo y la cáscara de un limón en un recipiente profundo y haciendo funcionar el horno durante 5 minutos. Limpie profundamente y seque con un paño suave.
- Si fuera necesario cambiar la luz del horno, consulte a un distribuidor para que realice la tarea.
- No arroje este electrodoméstico en un cubo de basura doméstico; colóquelo en el centro de desechos adecuado provisto por el gobierno local.
- **NO HUMEDezca LA LÁMINA DE MICA CUANDO LIMPIE LA UNIDAD.**

FALLAS DE ENERGÍA

- Si se desenchufa el cable de alimentación o se corta la energía eléctrica durante más de unos pocos segundos, al volver a enchufar el cable o cuando vuelve la electricidad, tendrá que volver a ajustar el reloj y tendrá que volver a programar cualquier tiempo de cocción o temporizador que haya tenido la unidad cuando fue desconectada.

SOLUCION SUGERIDA

A menudo, un problema sencillo puede surgir y no es necesario hacer una llamada al servicio de reparación, use esta guía para encontrar una posible solución a problemas menores en su unidad. Si la unidad sigue funcionando mal, llame a los números gratuitos de un centro Danby de servicio autorizado.

Tel: 1-800-26-Danby® (1-800-263-2629)

PROBLEMA	POSSIBLE CAUSA	SOLUCIÓN SUGERIDA
El horno de microondas no enciende	<ul style="list-style-type: none"> • El cable eléctrico del horno no está enchufado • La puerta está abierta • Se ha configurado una operación equivocada 	<ul style="list-style-type: none"> • Enchufe el cable en el tomacorriente • Cierre la puerta e inténtelo nuevamente • Corrobore las instrucciones
Arco eléctrico o chispas	<ul style="list-style-type: none"> • Se han utilizado materiales que deben evitarse en el horno de microondas • El horno funciona estando vacío • En la cavidad hay restos de alimentos derramados 	<ul style="list-style-type: none"> • Utilice solamente utensilios de cocina aptos para microondas • No utilice el horno estando vacío • Limpie la cavidad con un paño húmedo
Los alimentos no se cuecen de forma pareja	<ul style="list-style-type: none"> • Se han utilizado materiales que deben evitarse en el horno de microondas • Los alimentos no se han descongelado por completo • El tiempo de cocción o el nivel de potencia no son adecuados • No se giran ni mezclan los alimentos 	<ul style="list-style-type: none"> • Utilice solamente utensilios de cocina aptos para microondas • Descongele por completo los alimentos • Utilice un tiempo de cocción y nivel de potencia adecuados • Dé vuelta o mezcle los alimentos
Alimentos sobrecocidos	<ul style="list-style-type: none"> • El tiempo de cocción o el nivel de potencia no son adecuados 	<ul style="list-style-type: none"> • Utilice un tiempo de cocción y nivel de potencia adecuados
Alimentos poco cocidos	<ul style="list-style-type: none"> • Se han utilizado materiales que deben evitarse en el horno de microondas • Los alimentos no se han descongelado por completo • Están bloqueados los orificios de ventilación • El tiempo de cocción o el nivel de potencia no son adecuados 	<ul style="list-style-type: none"> • Utilice solamente utensilios de cocina aptos para microondas • Descongele por completo los alimentos • Verifique que los orificios de ventilación del horno no estén obstruidos • Utilice en tiempo de cocción y nivel de potencia adecuados
Escasa descongelación	<ul style="list-style-type: none"> • Se han utilizado materiales que deben evitarse en el horno de microondas • La configuración del tiempo de cocción o el nivel de potencia no es correcta • No se mezclaron ni se dieron vuelta los alimentos 	<ul style="list-style-type: none"> • Utilice solamente utensilios de cocina aptos para microondas • Utilice un tiempo de cocción y nivel de potencia adecuados • Mezcle o dé vuelta los alimentos durante la descongelación

GARANTÍA LIMITADA PARA ELECTRODOMÉSTICOS

Este producto de calidad está garantizado contra defectos de fabricación, incluyendo partes y mano de obra, siempre y cuando la unidad se utilice bajo las condiciones normales de funcionamiento para las que fue diseñado.

Esta garantía está solamente disponible para la persona que haya comprado originalmente esta unidad directamente de DanbyProducts Limited (Canada) o Danby Products Inc. (U.S.A.) (en adelante "Danby") o uno de sus distribuidores autorizados, y no es transferible.

CONDICIONES DE LA GARANTÍA

Las piezas plásticas, se autorizan por treinta (30) días solamente a partir de la fecha de la compra, sin las extensiones proporcionadas.

Primeros 12 meses Durante los primeros 12 meses, cualquier parte en buen estado de este producto que resulte defectuosa, será reparado o reemplazado, a del fabricante, sin cargo para el comprador ORIGINAL.

Para obtener servicio El cliente será responsable por transportar dicho artefacto hasta el Taller de Servicio Autorizado mas cercano. Comuníquese con el distribuidor donde haya comprado la unidad, o llame al Taller de Servicio Autorizado más cercano, donde debe ser reparada por un técnico calificado. Si esta unidad es reparada en otro lugar que no sea un Taller de Servicio Autorizado, o si la unidad se utiliza para aplicaciones comerciales, Danby no se hará responsable de ninguna forma y la garantía será nulo.

Nada de lo indicado en esta garantía debe implicar que Danby se hará responsable por el deterioro de los alimentos o el daño a otros componentes de este electrodoméstico, ya sea debido a defectos del aparato, o al uso que se le dé, sea éste adecuado o inadecuado.

EXCLUSIONES

Salvo lo aquí indicado por Danby, no existen otras garantías, condiciones o representaciones, explícitas o implícitas, concretas o intencionales por parte de Danby o sus distribuidores autorizados y todas las demás garantías, condiciones o representaciones, incluyendo cualquier garantía, condiciones o representaciones bajo cualquier Acta de Venta de Productos o legislación o estatuto similar, quedan de esta forma expresamente excluidas. Salvo lo aquí indicado, Danby no serán responsables por ningún daño a personas o bienes, incluyendo la propia unidad, sin importar su causa, o de ningún daño indirecto causado por el desperfecto de la unidad, y al comprar esta unidad, el comprador acepta por la presente, indemnizar y proteger a Danby contra cualquier reclamo por daños a personas o bienes causados por la unidad.

CONDICIONES GENERALES

No se considerará ninguna de estas garantías o seguros cuando el daño o la necesidad de reparación sea el producto de los siguientes casos:

- 1) Falla del suministro eléctrico.
- 2) Daños en tránsito o durante el transporte de la unidad.
- 3) Alimentación incorrecta, como bajo voltaje, instalación eléctrica defectuosa o fusibles inadecuados.
- 4) Accidente, modificación, abuso o uso incorrecto del artefacto, tal como insuficiente ventilación del ambiente o condiciones de operación anormales (temperatura ambiente extremadamente alta o baja).
- 5) Utilización comercial o industrial (v.g., si el electrodoméstico no está instalado en una vivienda particular).
- 6) Incendio, daños por agua, robo, guerra, disturbios, hostilidades, actos de fuerza mayor como huracanes, inundaciones, etc.
- 7) Pedidos de servicio debido a desinformación del usuario.
- 8) Instalación inadecuada (v.g., instalación empotrada de un electrodoméstico diseñado como unidad independiente o uso de un electrodoméstico al aire libre que no esté aprobado para dicho fin).

Para acceder a la garantía se solicitará un comprobante de compra; por lo tanto, guarde su recibo. En caso de necesitar servicio de garantía, presente ese documento al TALLER DE SERVICIO AUTORIZADO.

Servicio de Garantía
Garantía para Llevar a Taller de Servicio

Danby Products Limited
PO Box 1778, Guelph, Ontario, Canada N1H 6Z9
Telephone: (519) 837-0920 FAX: (519) 837-0449

1-800-263-2629
07/13

Danby Products Inc.
PO Box 669, Findlay, Ohio, U.S.A. 45840
Telephone: (419) 425-8627 FAX: (419) 425-8629



MICROWAVE

All repair parts are available for purchase or special order when you visit your nearest service depot. To request service and/or the location of the service depot nearest you, call the TOLL FREE number.

When requesting service or ordering parts, always provide the following information:

- Product Type
- Model Number
- Part Number
- Part Description

HORNO DE MICROONDAS

Todas las piezas de reparación disponibles para la compra o la orden especial cuando usted visita su depósito más cercano del servicio. Para pedir servicio y/o la localización del depósito del servicio lo más cerca posible usted, llame Danby gratis.

Al pedir servicio o pidiendo piezas, proporcione siempre la información siguiente:

- Tipo de producto
- Número de modelo
- Número de pieza
- Descripción de la parte

FOUR À MICRO-ONDES

Toutes les pièces de rechange ou commandes spéciales sont disponibles à votre centre de service régional autorisé. Pour obtenir le service et/ou la localité de votre centre de service régional, signalez le NUMÉRO D'APPEL SANS FRAIS.

Ayez les renseignements suivants à la portée de la main lors de la commande de pièce ou service:

- Type de produit
- Numéro de modèle
- Numéro de pièce
- Description de la pièce



MODEL • MODÈLE • MODELO
DMW12A4BDB / DMW12A4SDB
DMW12A4WDB / DMW14A4SDB