



Installation Instructions

Distinctive® Wall Mount Range Hoods

DTHP30, DTHP36, DTHP48

APPROVED FOR USE WITH ALL DACOR® RANGES AND COOKTOPS.

**TESTED IN ACCORDANCE WITH THE LATEST EDITION OF ANSI/UL 507
STANDARD FOR ELECTRIC FANS AND CAN/CSA-C22.2 NO. 115 STANDARD
FOR FANS AND VENTILATORS.**

Table of Contents

Important Safety Instructions	1	Planning the Ductwork	9
Important Information About Safety Instructions	1	Preparing the Mounting Location	11
General Safety Precautions	2	Installation Instructions	12
Product Specifications	3	Marking the Centerlines	12
General Specifications	3	Installing the Holding Brackets.....	13
Weight Specifications	3	Rotating the Fan(s) for Rear Exhaust.....	14
Dimensions	4	Using the Dual to Single Transition Kit# AHT10	18
Preparation and Setup	6	Hanging the Range Hood	20
Parts List	6	Hardwiring the Hood	21
Necessary Tools and Hardware	6	Verifying the Setup.....	23
Meeting Electrical Codes	7	The Installation Checklist	24
Installing the Electrical Source.....	7	Wiring Diagrams	25
Meeting Installation Requirements.....	8		

Before You Begin...

Important:

- **Installer:** In the interest of safety and to minimize problems, read these **Installation Instructions** completely and carefully before you begin the installation process. Leave these installation instructions with the consumer. Write the Data Plate Information in the Use and Care Manual before installing the unit.
- **Customer:** Keep these **Installation Instructions** for future reference and the local electrical inspector's use.

If You Need Help...

If you have questions or problems with installation, contact your Dacor dealer or the Dacor Customer Service Team. For repairs to Dacor appliances under warranty call the Dacor Distinctive Service line. Whenever you call, have the model and serial number of the appliance ready. The model and serial number are printed on the appliance data plate.

Dacor Customer Service Team

Phone: (800) 793-0093 ex. 2813 (U.S.A. and Canada)
Monday — Friday 6:00 A.M. to 5:00 P.M. Pacific Time
Website: www.dacor.com

Dacor Distinctive Service (for repairs under warranty only)

Phone: (800) 793-0093 ex. 2822 (U.S.A. and Canada)
Monday — Friday 6:00 A.M. to 5:00 P.M. Pacific Time

Appliance Data Plate

The appliance data plate is a label that:

- has the model and serial number information and electrical requirements.
- is located inside the hood, above the filters on the back wall of the chassis. Remove the filters to view it.

All specifications subject to change without notice. Dacor assumes no liability for changes to specifications.

Important Safety Instructions

Important Information About Safety Instructions

- The **Important Safety Instructions** and warnings in these instructions are not meant to cover all possible problems and conditions that can occur. Use common sense and caution when installing, maintaining or operating this or any other appliance.
- Always contact the Dacor Customer Service Team about problems and conditions that you don't understand.

Safety Symbols and Labels

DANGER

Immediate hazards that **WILL** result in severe personal injury or death.

WARNING

Hazards or unsafe practices that **COULD** result in severe personal injury or death.

CAUTION

Hazards or unsafe practices that **MIGHT** result in minor personal injury or property damage.

DANGER

To avoid the possibility of explosion or fire, do not store or use combustible, flammable or explosive vapors and liquids (such as gasoline) inside or in the vicinity of this or any other appliance. Also keep items that could explode, such as aerosol cans away from cooktop burners, ovens and range hoods. Do not store flammable or explosive materials in adjacent cabinets or areas.

WARNING

If the information in this manual is not followed exactly, a fire or explosion may result causing property damage, personal injury or death.

WARNING

WARNING - TO REDUCE THE RISK OF FIRE, ELECTRIC SHOCK, OR INJURY TO PERSONS, OBSERVE THE FOLLOWING:

- a) Use this unit only in the manner intended by the manufacturer. If you have questions, contact the manufacturer.
- b) Before servicing or cleaning unit, switch power off at service panel and lock the service disconnecting means to prevent power from being switched on accidentally. When the service disconnecting means cannot be locked, securely fasten a prominent warning device, such as a tag, to the service panel.

WARNING

WARNING – TO REDUCE THE RISK OF FIRE, ELECTRIC SHOCK, OR INJURY TO PERSONS, OBSERVE THE FOLLOWING:

- a) Installation work and electrical wiring must be done by qualified person(s) in accordance with all applicable codes and standards, including fire-rated construction.
- b) Sufficient air is needed for proper combustion and exhausting of gases through the flue(chimney) of fuel burning equipment to prevent back drafting. Follow the heating equipment manufacturer's guideline and safety standards such as those published by the National Fire Protection Association (NFPA), and the American Society for Heating, Refrigeration and Air Conditioning Engineers (ASHRAE), and the local code authorities.
- c) When cutting or drilling into wall or ceiling, do not damage electrical wiring and other hidden utilities.
- d) Ducted fans must always be vented to the outdoors.

READ AND SAVE THESE INSTRUCTIONS

Important Safety Instructions

CAUTION

For general ventilating use only. Do not use to exhaust hazardous or explosive materials and vapors.

General Safety Precautions

To reduce the risk of fire, electric shock, serious injury or death when using your appliance, follow basic safety precautions, including the following:

WARNING

- Do not install or operate this hood if it has been damaged, dropped, has damaged electrical wires or is not working properly. If the product is damaged when received, immediately contact the dealer or builder.
- This range hood must be installed and grounded by a qualified installer according to these installation instructions.
- Install or locate this appliance only in accordance with these installation instructions and the requirements specified by the manufacturer of the cooktop or range. Improper installation, adjustment, alteration, service, or maintenance can cause serious personal injury or property damage.
- The user should not install, repair, or replace any part of the range hood unless specifically recommended in the literature accompanying it. A qualified service technician should perform all other service. Contact the nearest Dacor authorized service representative at (800) 793-0093, or at www.dacor.com for examination, repair or adjustment.
- Keep all packaging materials away from children. Plastic bags can cause suffocation.
- Do not use an extension cord or adapter plug with this appliance.
- The installer must show the user the fuse box or circuit breaker panel box and how to turn the power on/off.
- Before installing or servicing the range hood, switch the power OFF at the fuse box circuit breaker and lock the electrical panel door to prevent power from being switched on accidentally. When the electrical panel cannot be locked, securely fasten a prominent warning device, such as a tag, to the electrical panel.
- Read the Use and Care Manual completely before using the appliance. Clean the appliance only as instructed in the Use and Care Manual. Use only the cleaners specified.
- Do not tamper with the controls.
- Never allow the filters to become blocked or clogged. Do not allow foreign objects, such as cigarettes or napkins, to be sucked into the hood.
- Clean the filters, channels, and all grease-laden surfaces often to prevent grease fires and to maintain performance.
- If the cooktop and range hood are near a window, use an appropriate window treatment; Avoid long drapes or window coverings that could blow over the cooktop and hood and create a fire hazard.
- Always run the fan(s) whenever the cooktop is operating.
- Never leave the range or cooktop unattended when a burner (or element) is in use. Boil-overs and greasy spills may smoke and/or ignite.
- Do not leave children alone or unattended in the area where the cooktop and range hood are in use. Never allow children to sit or stand on an appliance. Do not let children play with a range, cooktop, or range hood. Do not store items of interest to children above or around the cooktop, range, or range hood.
- The minimum vertical distance between the cooktop surface and the exterior part of the hood must be no less than 30" (76.2 cm). The vertical distance may be longer for the range or cooktop being used. Consult the range or cooktop Installation Instructions for the minimum and maximum vertical distance from the appliance being used.
- TO REDUCE THE RISK OF FIRE, USE ONLY METAL DUCTWORK.
- PROLONGED POWER FAILURE Do not attempt to use this appliance during a continuous power failure.

Product Specifications

General Specifications

All Models

Features	Description
Fan Speeds	Adjustable
Filters	Mesh style, dishwasher safe
Exhaust(s)	8-inch duct diameter
Total Connected Load	120V, 60 Hz, 9 Amp. Max. (10.0 Amp Max. surge)
Lights	Halogen 120V, 75W Size: PAR16 E26/27 (All Replacement Types: Dimmable with 75W Max)

Individual Models

Model Number	DTHP48	DTHP36	DTHP30
Lights	4	3	2
Filters	4	3	2
Fans	2	1	1
Exhaust Vents	2	1	1
Fan Rating	1200 CFM	600 CFM	600 CFM

Individual Models

Model	Weight
DTHP3010	51 lbs. (23 kg)
DTHP3018 DTHP3610	53 lbs. (24 kg)
DTHP3618	57 lbs. (26 kg)
DTHP4810	70 lbs. (32 kg)
DTHP4818	77 lbs. (35 kg)

Individual Models

Model Number	Top Vent	Rear Vent	Rotatable Fan
DTHP3010	x		
DTHP3018	x	x	x
DTHP3610	x		
DTHP3618	x	x	x
DTHP4810	x		
DTHP4818	x	x	x

Product Specifications

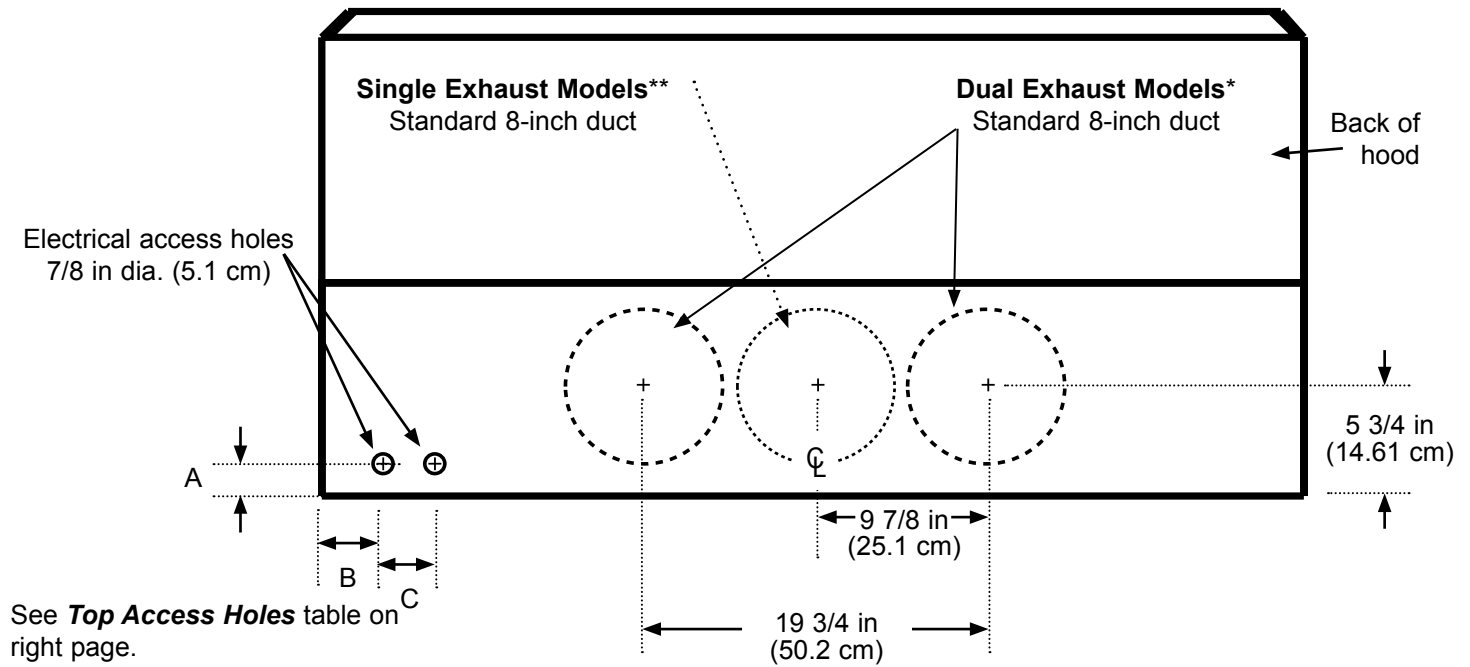
Dimensions

Electrical and Ductwork Connections

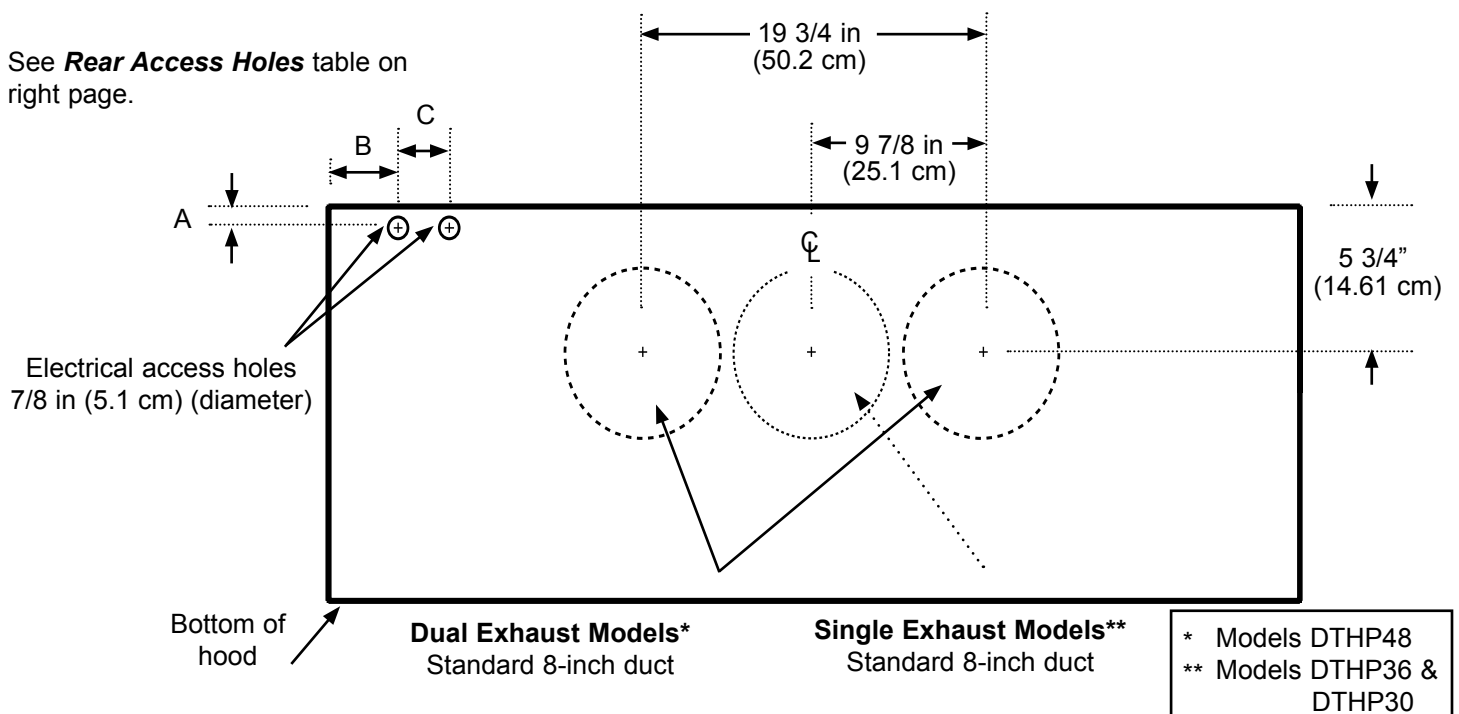
Tolerances: +1/16" -0", unless otherwise stated.

Connect electrical wires and ductwork through the top or rear of the hood.

Top Connections: All Models



Rear Connections: DTHP3018, 3618, 4818

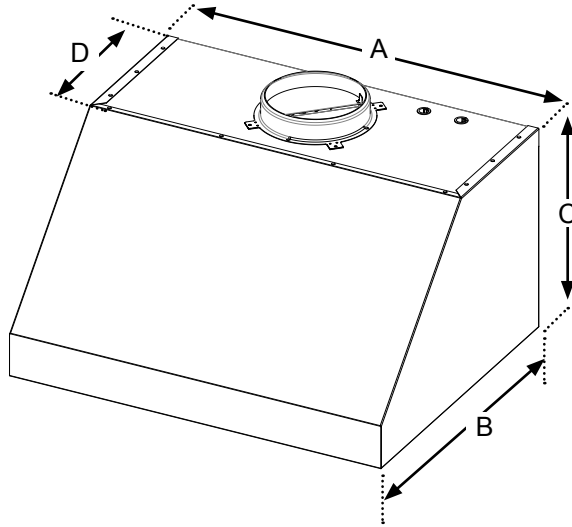


Product Specifications

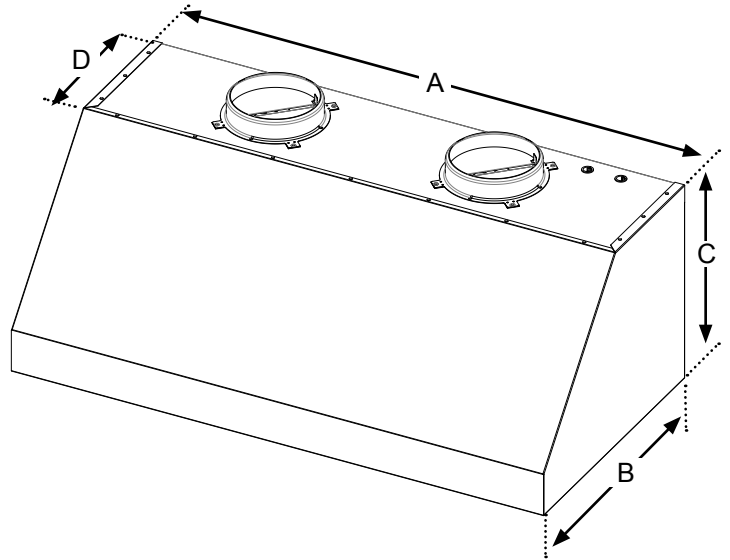
Dimensions

Tolerances: +1/16" -0" unless otherwise stated.

Single Fan: DTHP30 & DTHP36 Series



Dual Fan: Model DTHP48 Series



Hood Dimensions

Model	A	B	C	D
DTHP3010	29 7/8" (75.9 cm)	24" (61 cm)	10" (25.4 cm)	11 7/8" (30.2 cm)
DTHP3610	35 7/8" (91.1 cm)			
DTHP4810	47 7/8" (121.6 cm)			
DTHP3018	29 7/8" (75.9 cm)	24" (61 cm)	18" (45.7 cm)	11 7/8" (30.2 cm)
DTHP3618	35 7/8" (91.1 cm)			
DTHP4818	47 7/8" (121.6 cm)			

Page 4: Electrical Access Dimensions

Top Access Holes	A	B	C
DTHP48	1 1/2" (3.81 cm)	5" (12.7 cm)	3" (7.62 cm)
DTHP36	1 1/2" (3.81 cm)	4 1/2" (11.43 cm)	3" (7.62 cm)
DTHP30	1 1/2" (3.81 cm)	5 1/2" (13.97 cm)	3" (7.62 cm)

Rear Access Holes	A	B	C
DTHP48	1" (2.54 cm)	5" (12.7 cm)	3" (7.62 cm)
DTHP36	1" (2.54 cm)	4 1/2" (11.43 cm)	3" (7.62 cm)
DTHP30	1" (2.54 cm)	5 1/2" (13.97 cm)	3" (7.62 cm)

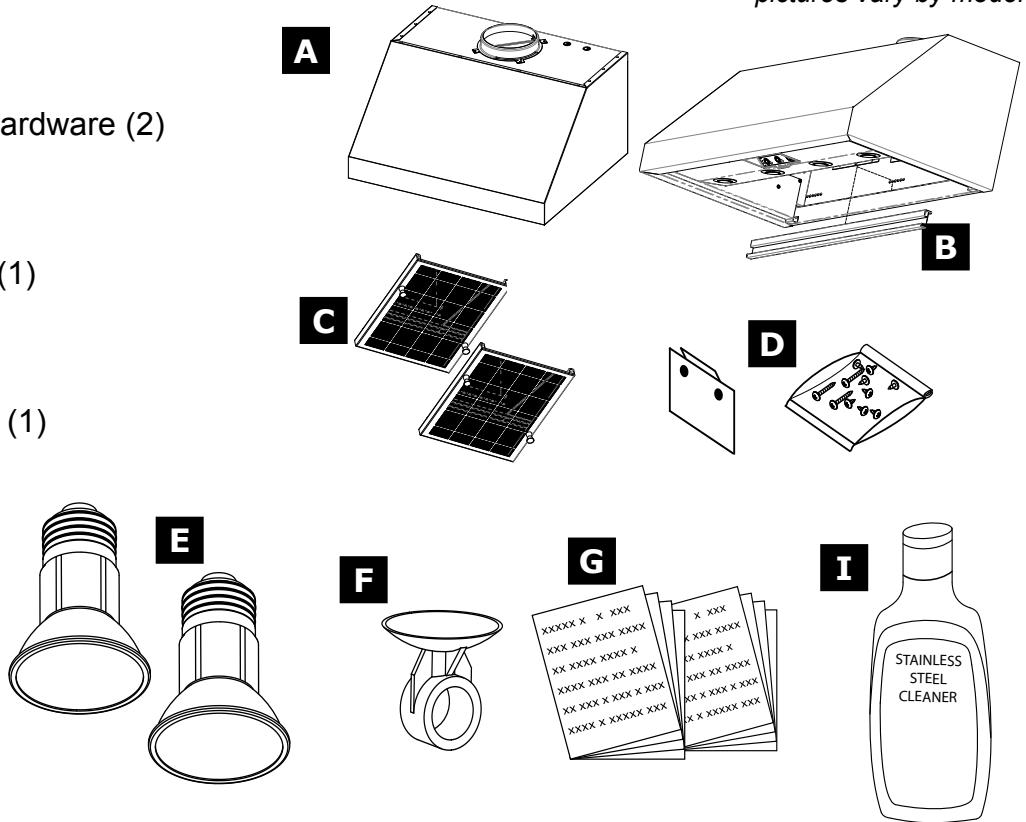
Preparation and Setup

Parts List

Hood Model	DTHP48	DTHP36	DTHP30
C Mesh Filters	4	3	2
E Halogen Lights	4	3	2

- A** Hood (1)
- B** Grease channel (1)
- C** Mesh filter
- D** Holding brackets and hardware (2)
- E** Halogen light bulbs
- F** Light replacement tool (1)
- G** Literature (2)
- I** Dacor Cleaning Creme (1)

pictures vary by model



Necessary Tools and Hardware

Please make sure these tools and hardware are within reach before beginning the installation.

Hood Installation		
Phillips screwdriver	Drill + bits	Jigsaw
Flathead screwdriver	Tape measure	8" Ducting
Pencil or marking tool	Stud finder	Foil tape
Wire connector caps	Level	Sheet metal screws
Wire stripper	Junction box	18 AWG Wire or 3-prong power cord

Blower Rotation (optional)	
Phillips screwdriver	5/16" Nut driver

Dual to Single Vent Transition Kit (optional accessory)		
Dacor Kit #AHT10	Drill	Foil tape
10" Ducts and ducting materials	Sheet metal screws	

Preparation and Setup

Meeting Electrical Codes

Installing the Electrical Source

WARNING

Make sure electrical service to the range hood is installed by a licensed electrician.

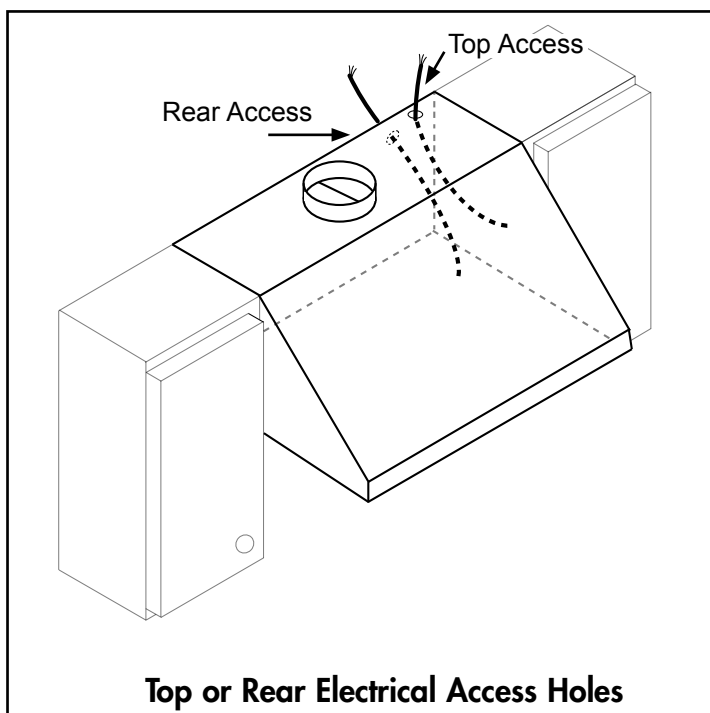
It is the owner's responsibility to confirm that all electrical requirements are met by a qualified electrician who is servicing this appliance.

The electrical installation, including the minimum supply-wire size and grounding, must be in accordance with the National Electric code ANSI/NFPA* (or latest revision), local codes, and ordinances.

*A copy of this standard can be obtained from:

National Fire Protection Association
1 Batterymarch Park
Quincy, Massachusetts 02269-9101

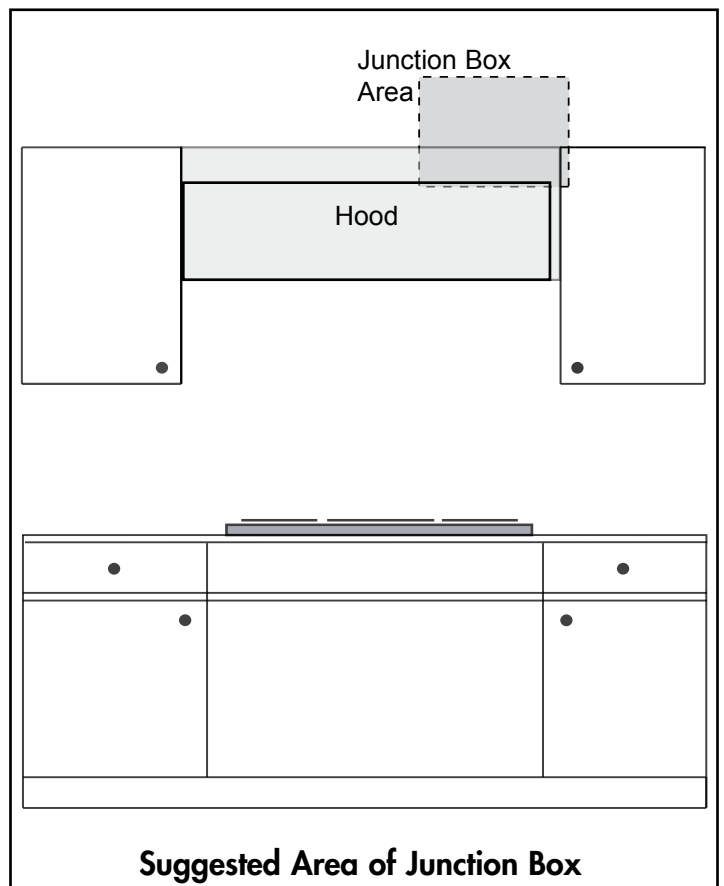
- The ground terminal on the hood must be connected to a grounded, metallic, permanent wiring system, or a grounding conductor installed by a licensed electrician.
- Do not ground the appliance or appliance wiring to a gas pipeline or to the neutral (white) power supply wire.
- Do not install a fuse in the neutral or ground circuit.
- **Connect the hood directly to an electrical junction box.** Hard-wire the hood according to local code directly to a dedicated three-wire grounded, single phase circuit rated at 120 Vac 60 Hz, 15 Amp.
- See the diagram below: **Top or Rear Electrical Access Holes** for wire hole locations inside the hood.
- See **Wiring Diagrams** at the end of this document.



Install an electrical junction box near the hood's electrical access holes according to local codes.

See image below: **Suggested Area of Junction Box.**

1. Drill 7/8" holes in the wall or cabinet (as needed) to act as a passageway for the electrical wiring.
2. See the last pages of this Installation Guide for wire diagrams.



Preparation and Setup

Meeting Installation Requirements

WARNING

Observe all governing codes and ordinances during planning and installation. Contact your local building department for further information. Use only ductwork deemed acceptable by state, municipal and local codes.

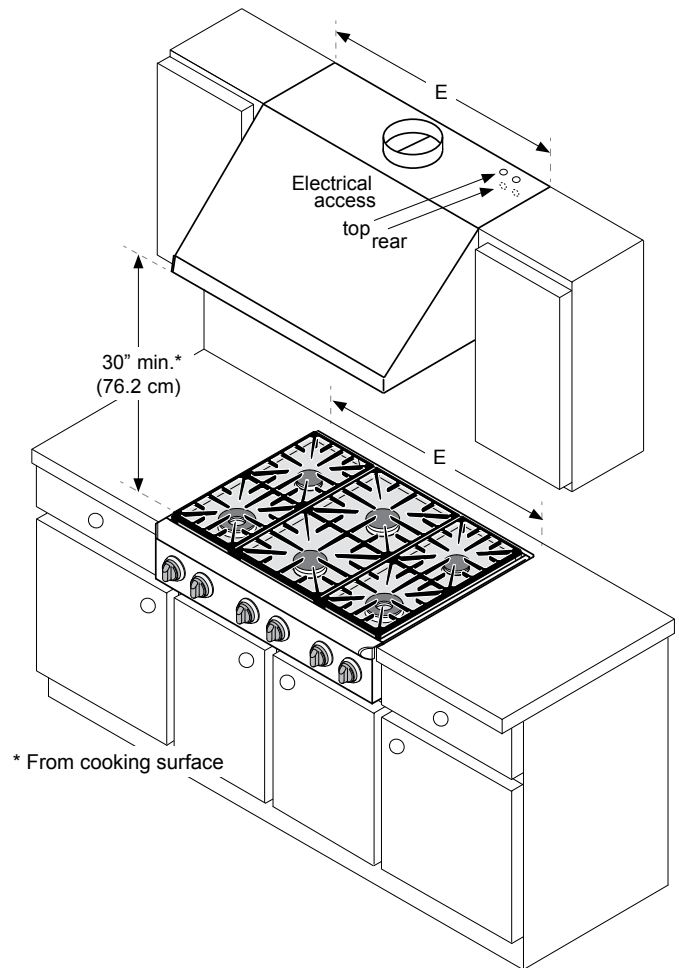
WARNING

To reduce the risk of personal injury caused by reaching over a hot appliance, cabinet storage space located directly above the range should be avoided.

IMPORTANT

See the diagram for minimum installed distance from the hood to the cooktop surface. The minimum specified distance may be higher for the particular range or cooktop in use. Check the manufacturers specifications for the cooktop or range.

- The hood must be as wide as the cooktop surface or wider.
- Plan the installation so that all minimum dimensions are met or exceeded.
- Dimensions given are minimum clearances, unless otherwise noted.
- All contact surfaces between the hood and any cabinetry or walls must be sturdy, solid, and at right angles.
- Install the hood and cooking appliance(s) so that they can be removed if service is required.



Cabinet Layout Dimensions

Minimum Width of E: Upper Cabinet Cutout & Appliance Width	
Models	E
DTHP3010, DTHP3018	30 inches (76.2 cm)
DTHP3610, DTHP3618	36 inches (91.5 cm)
DTHP4810, DTHP4818	48 inches (121.9 cm)

All tolerances: +1/16" -0", unless otherwise stated.

Preparation and Setup

Planning the Ductwork

WARNING

- To prevent combustion by-products, smoke or odors from entering the home and to improve efficiency, tape all duct joints securely.
- Range hoods may interrupt the proper flow of smoke and combustion gases from furnaces, gas water heaters, and fireplaces. To avoid drawing lethal gases into the home, follow the manufacturer's recommendation for these devices and consult NFPA and ASHRAE recommendations.
- Failure to install a remote blower or proper ductwork may result in a backdraft and/or insufficient venting of smoke and fumes.
- **DO NOT** install an additional in-line or external blower to increase the length of the duct run. Even small differences between blower air flow rates can greatly reduce the air draw by the hood.

CAUTION

To reduce the risk of fire and to properly exhaust air, be sure to duct air outside the house or building. Do not vent exhaust air into spaces within walls or ceilings or into attics, crawl spaces or garages.

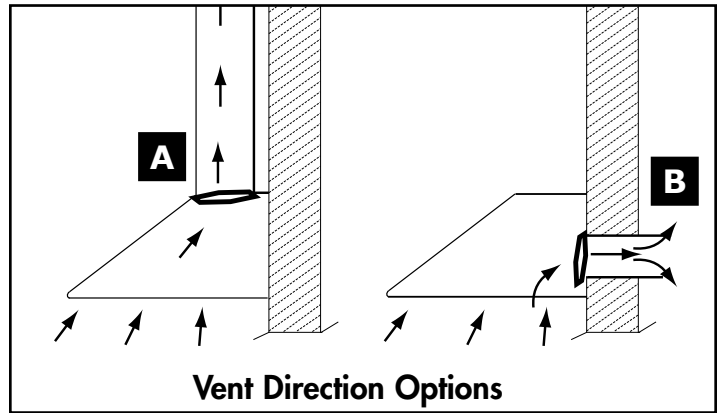
WARNING

During duct installation, make sure there are no obstructions that keep the damper flaps on the top of the hood from opening.

- Local building codes may require the use of makeup air systems with ventilation systems that move air greater than the specified movement rate (CFM).

The specified rate varies based on locale. Consult a qualified HVAC specialist when designing the system for the requirements in your area and to assure optimal performance.

- All ductwork materials (including screws and foil tape) must be purchased separately.
- Make sure ductwork does not interfere with floor joists or wall studs.
- Fasten all joints with sheet metal screws and seal with certified duct tape or foil tape.
- Two 8-inch exhausts may be merged into one 10-inch duct using Dacor transition kit AHT10. See page 18 for details.



The fan factory default direction is through top **A** of the hood. However, **the fan can be rotated** to vent through the rear **B** of the hood.

When planning new ductwork, always find the shortest, most direct route to the outside.

Duct Length Calculation Table

The maximum straight duct length for the hood is determined by the type of duct used. See the chart below.

Duct Size	Maximum Duct Run
8-inch Round	60 feet
10-inch Round	50 feet
3 1/4-in x 10-in Rectangular	50 feet

For each elbow and transition added, a certain length must be subtracted from the maximum duct run to compensate for wind resistance.

To determine your maximum length:

1. Start with the total max. length of your duct run, then
2. Subtract all of the ductwork equivalent lengths (see chart below).

Ductwork Equivalent Lengths

Piece	Subtract	Piece	Subtract
8-inch 90° Elbow	7 feet	10-inch 90° Elbow	5 feet
8-inch 45° Elbow	3 feet	10-inch 45° Elbow	2 feet
3-in x 10-inch to Round 90° Transition	25 feet	3 1/4 in x 10 in to 8 in / 10 in Round Transition	4 feet
Roof Cap	*	Wall Cap with Damper	*

* The equivalent lengths of roof and wall caps vary with model and configuration.

Preparation and Setup

Ductwork Tips

Wherever possible, reduce the number of transitions, turns, and sharp angles. Two staggered 45° angles are better than one sharp 90° angle.

Keep turns as far away from the hood exhaust as possible, and keep as much space between any bends as possible.

For best performance: use round duct instead of rectangular, especially when elbows are required.

If multiple elbows are used, try to keep at least 24 inches of straight duct between each elbow.

Avoid using “S” or back-to-back adjacent elbows.

In extremely cold weather regions, use thermal breaks, i.e., short sections of non-metallic duct, to avoid indoor heat loss. Locate the break as close as possible to the outside pass-through point.

Do not use flexible metal duct. Do not use ductwork that is smaller than what is advised in the tables.

- The hood exhaust connects to an 8-inch round duct. You can *increase* the duct size over the duct run if desired.
- To prevent a backdraft, *never decrease* the duct size over the run. If existing ductwork is smaller than 8 inches in diameter, remove it and replace it with 8-inch ductwork.
- Do not rely on tape alone to seal duct joints. Fasten all connections with sheet metal screws, and tape all joints with certified duct tape or foil tape.
- Use sheet metal screws as needed to support the weight of the ducting.
- To prevent backdrafts, a damper at the duct outlet may also be required.

Preparation and Setup

WARNING

- The electricity to the range hood should be installed only by a licensed electrician.
- Observe all governing codes and ordinances during site preparation and installation. Contact your local building department for further information.
- Failure to properly anchor the hood to the wall may result in personal injury due to the unit falling off the wall.
- To avoid an electric shock hazard and property damage, locate electric wires and water pipes and avoid drilling or cutting in the vicinity.
- Use the *temporary* holding brackets only to hold the hood in place until permanent anchoring is secured.

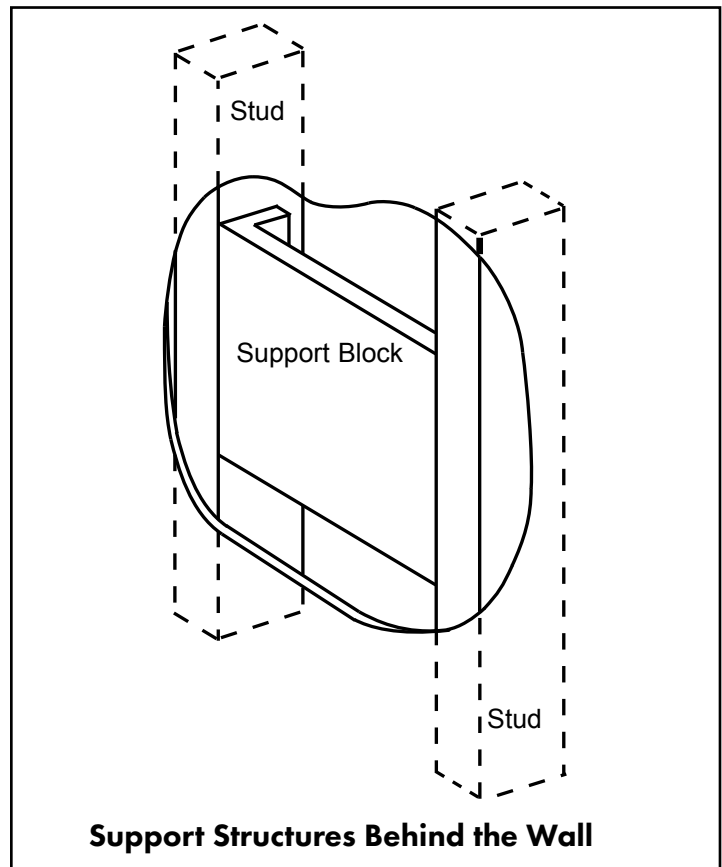
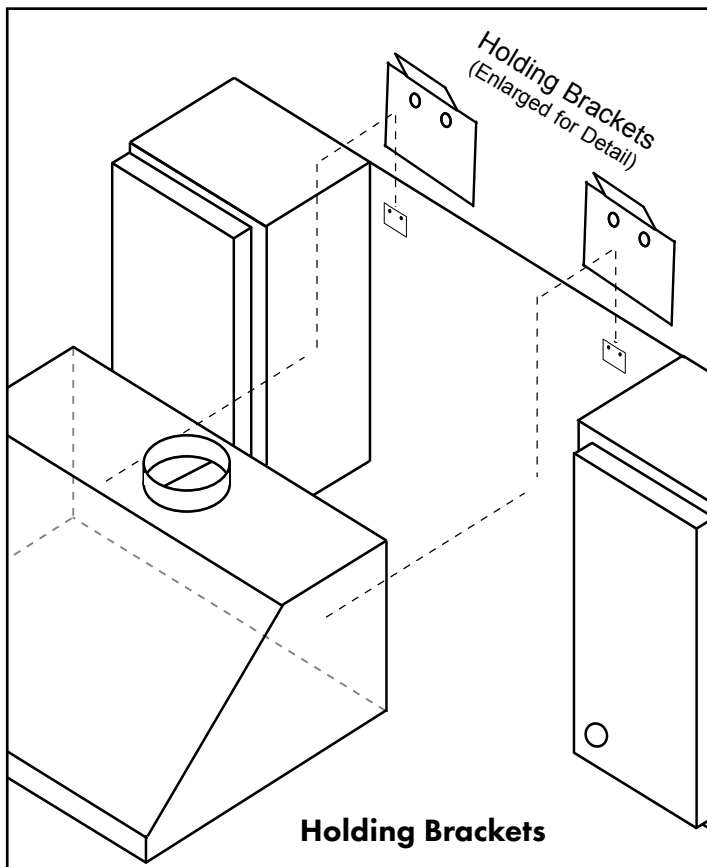
Preparing the Mounting Location

Holding brackets and hardware are provided to temporarily hold the hood in place while you permanently fasten the hood to the wall.

The illustrations below show the purpose of the holding brackets and the support behind the wall.

1. If mounting the hood to brick or masonry, select anchors capable of holding the full weight of the hood.
 2. Make sure the mounting surface is properly reinforced to support the full weight of the unit.
- If mounting the unit to drywall or a plastered surface, install a reinforced mounting block between the studs.
 - Attach screws directly to the studs and cabinets if they align with the mounting holes in the back and top of the hood.

Model	Weight
DTHP3010	51 lbs. (23 kg)
DTHP3018 DTHP3610	53 lbs. (24 kg)
DTHP3618	57 lbs. (26 kg)
DTHP4810	70 lbs. (32 kg)
DTHP4818	77 lbs. (35 kg)



Installation Instructions

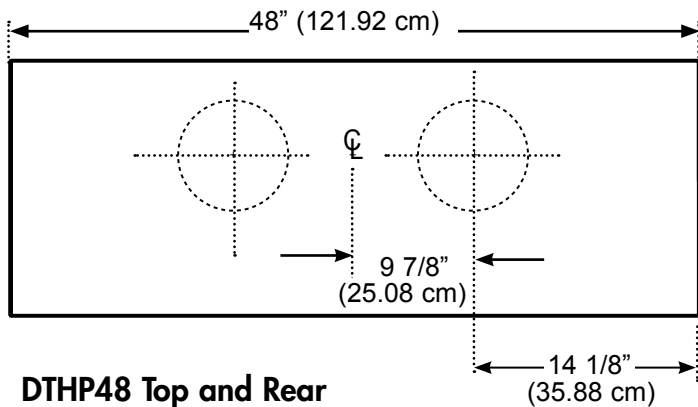
Marking the Centerlines

These measurements and marks are for centering and leveling the hood, marking the duct cutouts, and installing the holding brackets.

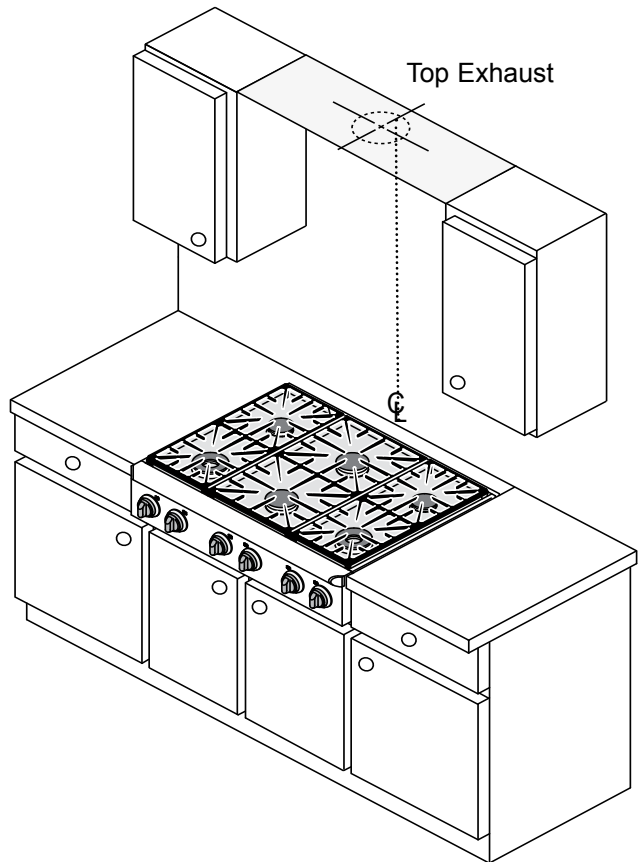
The holding brackets temporarily hold the hood while you mount it permanently into place.

Have a marking tool, tape measure, and level ready.

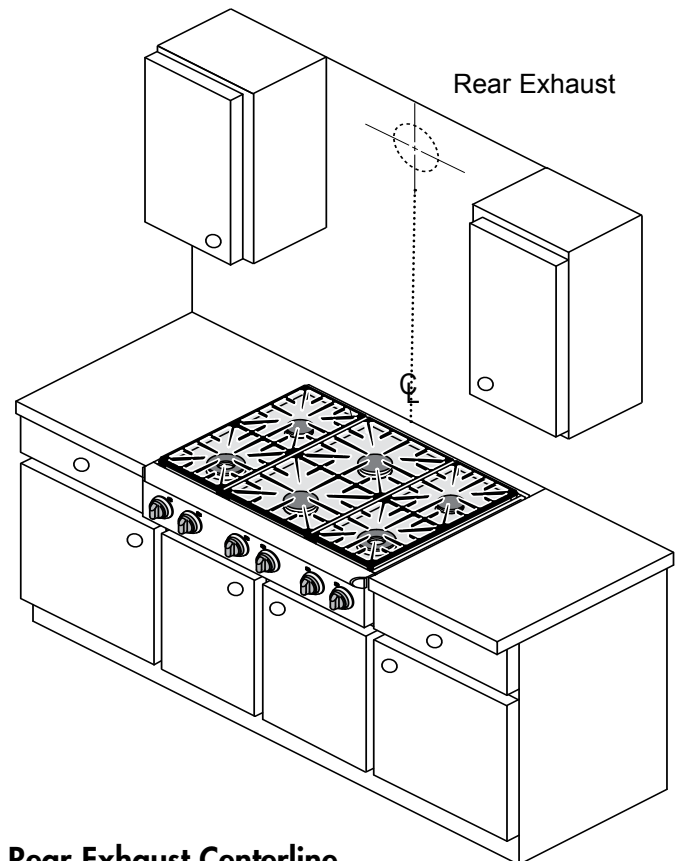
1. Position the hood in the same orientation as it will be when installed. (For example, if it is a top vent installation, set the hood with the vents on top.)
2. Measure the distance from the edge of the hood to the center of the exhaust port.
3. Transfer that measurement to the wall (for a rear vent), or overhead (for top vent). Measure the X and Y axis to find the centerline.
4. Extend the line down 10 inches (25.4 cm).
5. Cut a hole that is 1 inch larger than the duct. Dual exhaust models require two (2) holes.



DTHP48 Top and Rear Exhaust Centerline



Top Exhaust Centerline



Rear Exhaust Centerline

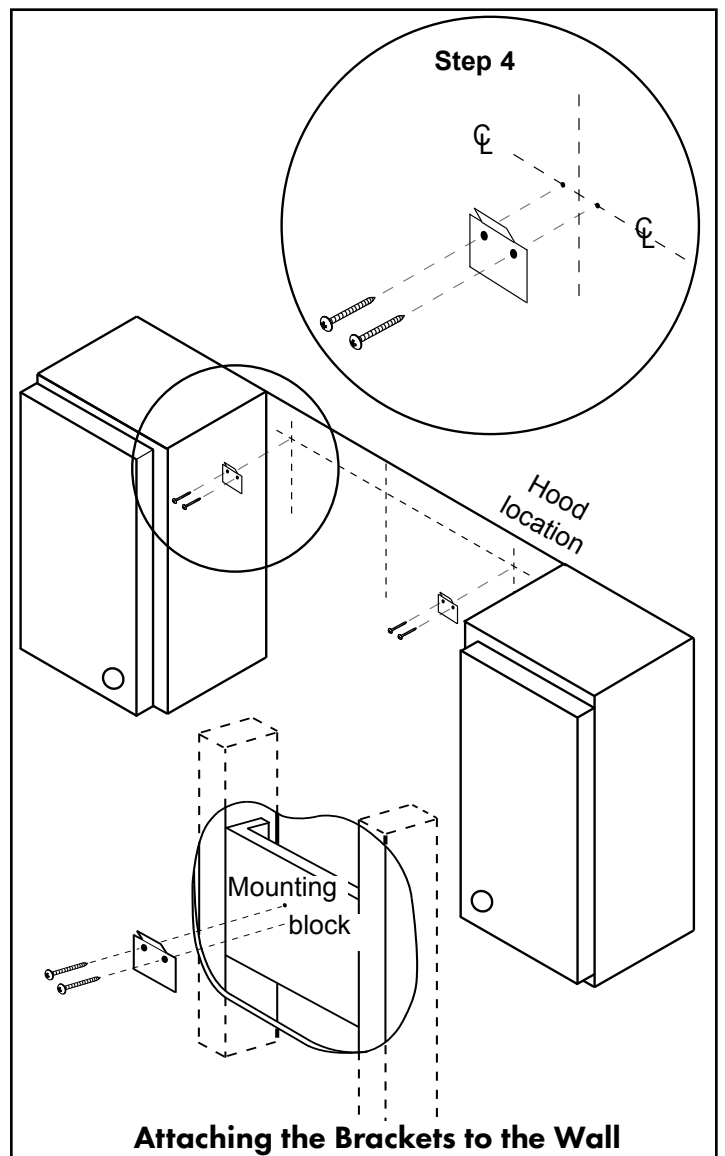
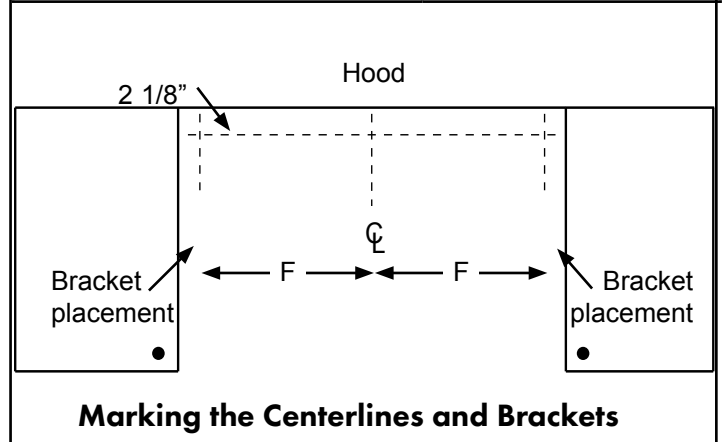
Installation Instructions

Installing the Holding Brackets

IMPORTANT: Placing the holding brackets above, below, or off the centerline will cause alignment problems during final installation.

1. Mark the holding bracket's horizontal centerline 2 1/8 inches (54 cm) below the top of the hood.
2. Next, mark the holding bracket's two vertical centerlines. Refer to the table and image on right.
3. Measure and mark the "F" distance.
4. Lay the bracket against the wall, and align the screwholes with the horizontal centerline.
 - Make sure the anchors and/or screws being used are strong enough to support the hood.
 - Make sure drywall installations are properly reinforced.
5. Mark the two holes in the bracket.
6. Drill those two holes for screws or anchors.
7. Attach the brackets securely to the wall.

Holding Bracket Centerline Distance	
Models	F
DTHP3010, DTHP3018	10 1/2 in (31.75 cm)
DTHP3610, DTHP3618	7 1/8 in (18.1 cm)
DTHP4810, DTHP4818	17 in (43.18 cm)



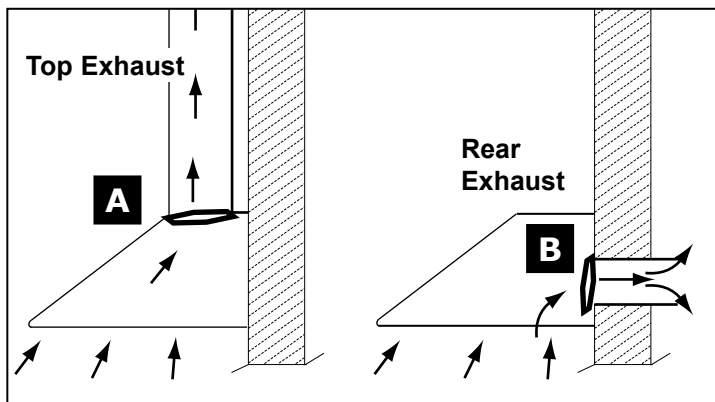
Installation Instructions

Rotating the Fan(s) for Rear Exhaust

WARNING

- Do not install the range hood unless the electrical service provided meets the range hood specifications.
- Observe all governing codes and ordinances during installation. Contact your local building department for further information.
- A qualified technician must complete the installation of this built-in appliance. More than one person is required to raise the hood into place. The owner is responsible to make sure the hood is properly installed.

DTHP Models with Fan Rotation:
3018, 3618, 4818



The 18-inch hoods have fan(s) that can be rotated so that the air is vented out the back of the hood.

If the hood will be installed in a **top exhaust A** configuration your hood is already in the factory default, top exhaust position.

If the hood will be installed in a **rear exhaust B** configuration, *the fans must be rotated* so the exhaust vents through the rear of the hood and to the outside.

This must be done before hanging the hood.

Tools and Hardware Needed

5/16" Nut driver	Phillips screwdriver	
Cable ties	AHT10 Transition Kit (optional) plus metal screws and foil tape 10" Ducts and ducting materials	8" Duct and ducting materials

Installation Instructions

Rotating the Fans(s) for Rear Exhaust

Various models illustrate these instructions, so the images presented might not be an exact replication of the hood being installed.

However, the best illustrations were chosen to help communicate the intended information.

Instructions:

Disassembling Parts

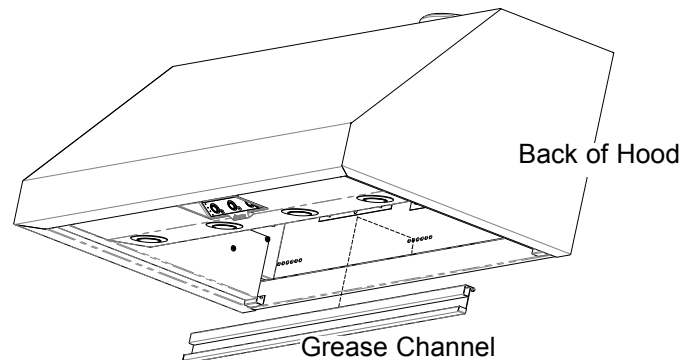
1. Unhook and remove the grease channel.
2. Place the hood assembly on a large, flat surface.
Take special care not to scratch the hood.
3. Remove the duct collar from the top of the unit.
Save the collar and screws.

Removing the Fan(s)

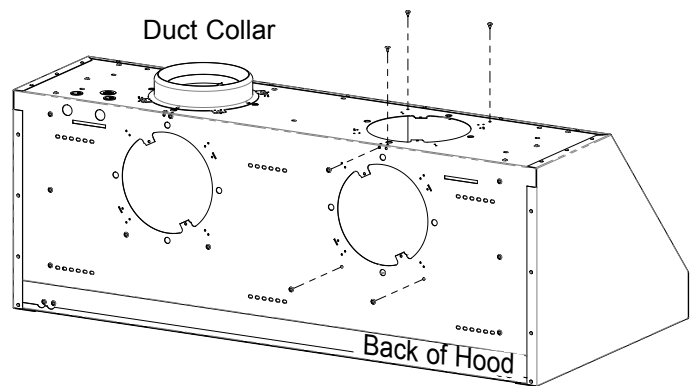
4. Tip the hood up, so that it lays on its *back*.
You are now facing inside the hood.
5. Find the end of the cable assembly, squeeze the connector, and unplug it.
Do not pull directly on the cable assembly.
Doing so will damage the contacts and wires; always pull from the connectors.
7. Unscrew the cable clamp(s) and remove the hardware that holds the fan and L-bracket.
8. Detach the fan and plate, and place them nearby.

continued...

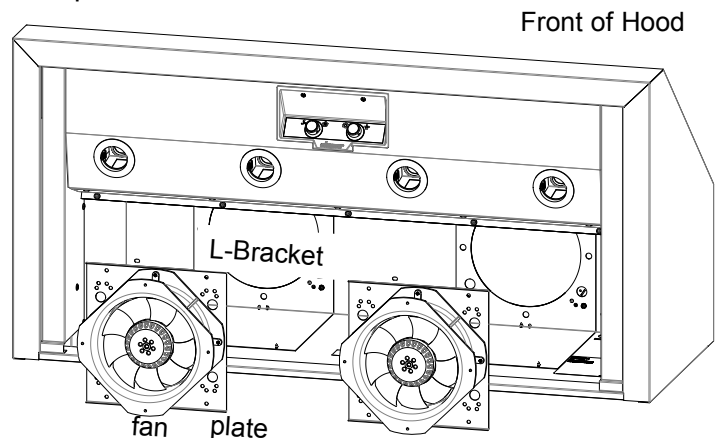
Step 1



Steps 2-3



Steps 4-8



Installation Instructions

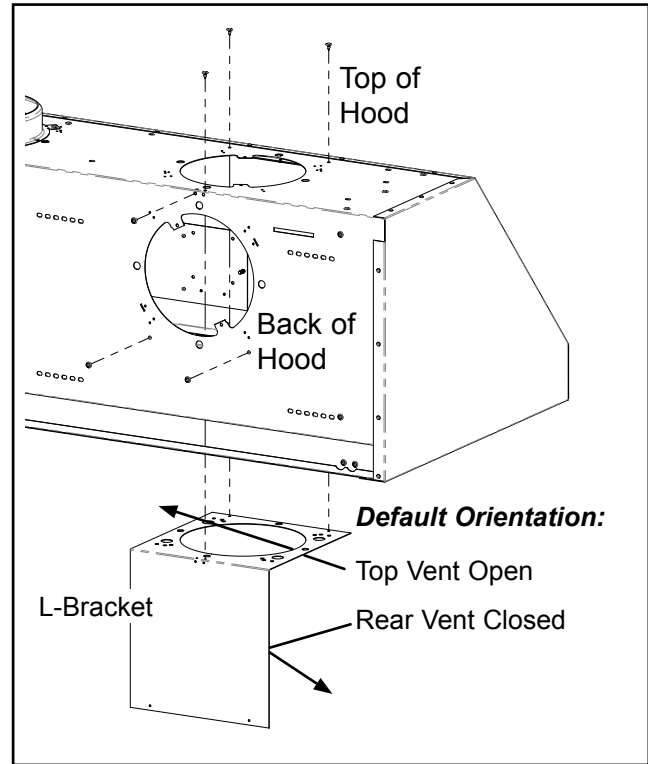
Rotating the Fans(s) for Rear Exhaust

Orientating the Blower/Vent L-Brackets

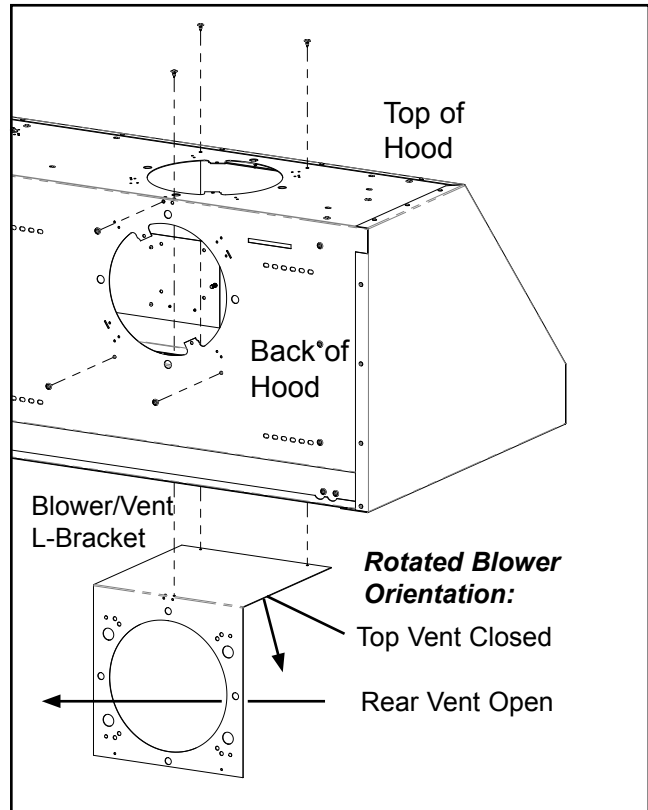
9. Unscrew and remove the L-bracket that is in the default top-venting orientation.
10. Turn and align the L-bracket so the hole is in back of the hood, allowing a rear-venting configuration.

continued...

Step 9



Step 10



Installation Instructions

Rotating the Fan(s) for Rear Exhaust

Orientating the Blower(s)

It is imperative that the fan(s) are installed in the correct orientation.

To do this, make sure the *cable I/O port* is against the **back** of the hood. Confirm the orientation is correct by comparing it with the figures on the right.

11. Lay the fan over the exit vent with this specific placement:

When facing the inside of the hood,

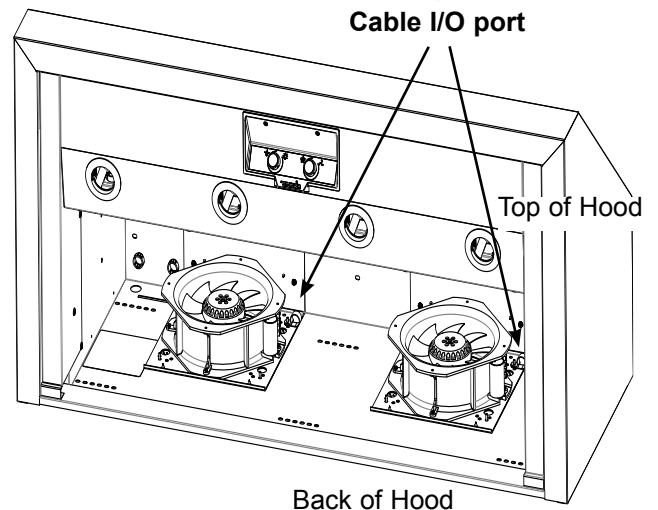
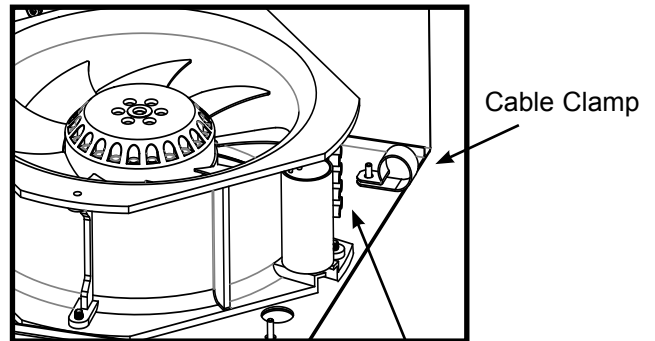
- The cable I/O port must be on the *right*, and
- The cable I/O port must be against the *back* of the hood.

Finalizing the Rear Vent Setup

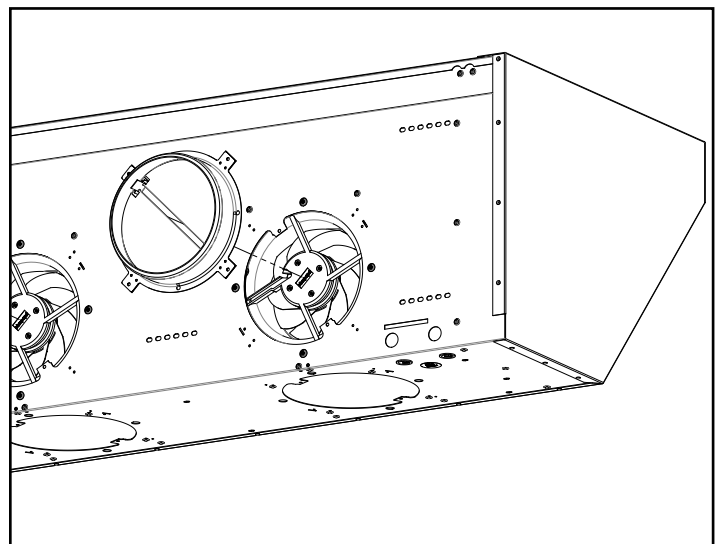
12. Refasten the cable clamps and cable assembly to the hood.
13. Connect the cable assembly to the I/O port.
14. Attach the duct collars to the back of the hood.
15. Place the hood in a safe, upright position.

Steps 11-13

Detail: Location of Cable I/O Port



Step 14

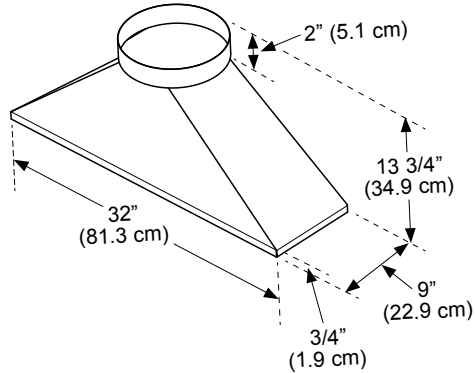


Installation Instructions

Using the Dual to Single Transition Kit# AHT10

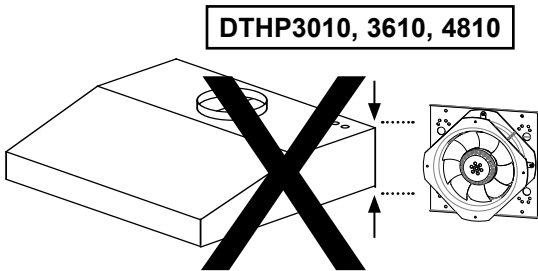
On dual exhaust models, the two 8-inch duct exhausts can be transitioned into one 10-inch duct.

Assemble the Dacor transition kit # AHT10 *before hanging the hood*. This transition kit fits over the top or rear ventilation exits.



IMPORTANT:

DTHP3010, 3610, 4810 models
CANNOT vent through the rear ducts.

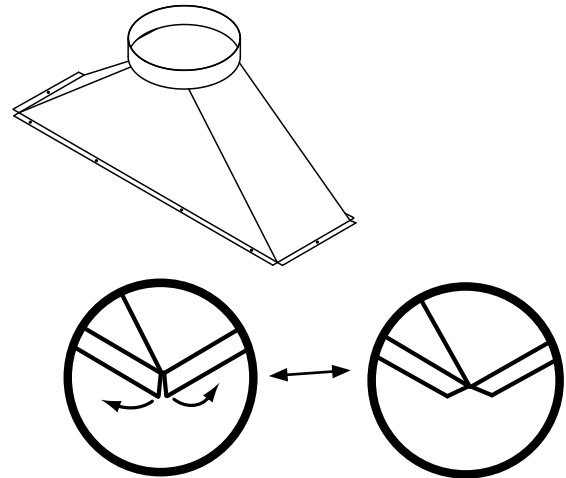


Preparing the AHT10

1. Create a lip around the transition kit by *bending the bottom edges backward* at right angles to create a 3/4" flange around the base.

Bending the Flange for:

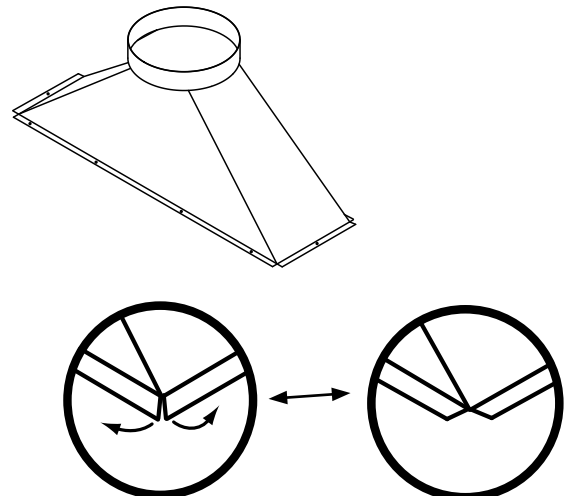
- **Rear Vent Configuration**
On models 3018, 3618, 4818
- **Notes:** 18" hood height requirement



Four (4) corners are bent backward 90 degrees.

Bending the Flange for:

- **Top Vent Configuration**
On models 3010, 3610, 4810
3018, 3618, 4818



Four (4) corners are bent backward 90 degrees.

Installation Instructions

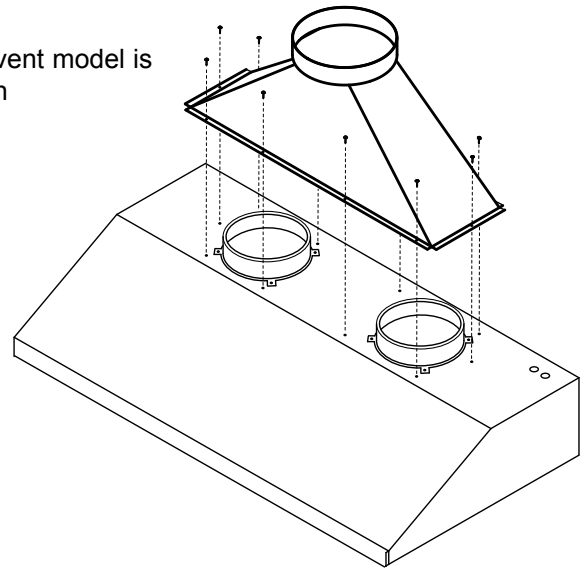
Installing the AHT10

Top Vent: 3010, 3610, 4810
3018, 3618, 4818

1. Center the AHT10 transition kit over the duct collars.
2. Drill holes for screws in the flanges. Make sure the holes pierce the top of the hood (see right).
3. Fasten the AHT10 into place using sheet metal screws (not included).
4. Seal the base of the AHT10 with foil or duct tape.

Top Vent: 3010, 3610, 4810
3018, 3618, 4818

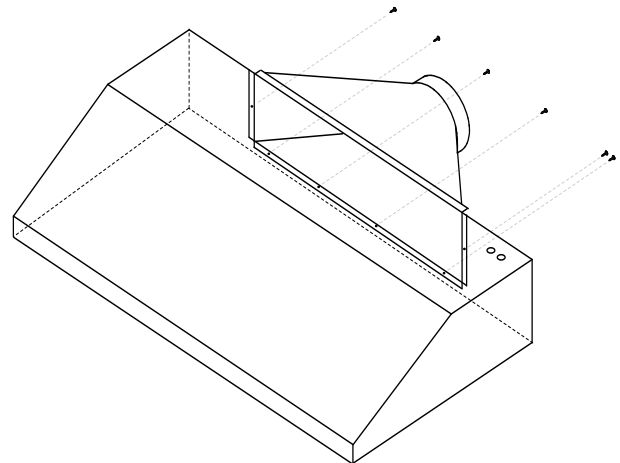
Dual vent model is shown



Rear Vent: 3018, 3618, 4818
(18-inch height requirement)

1. Center the AHT10 transition kit over the duct collars.
2. Drill holes for screws in the flanges. Make sure the holes pierce the rear of the hood (see right).
3. Fasten the AHT10 into place using sheet metal screws (not included).
4. Seal the base of the AHT10 with foil or duct tape.

Rear Vent: 3018, 3618, 4818



Installation Instructions

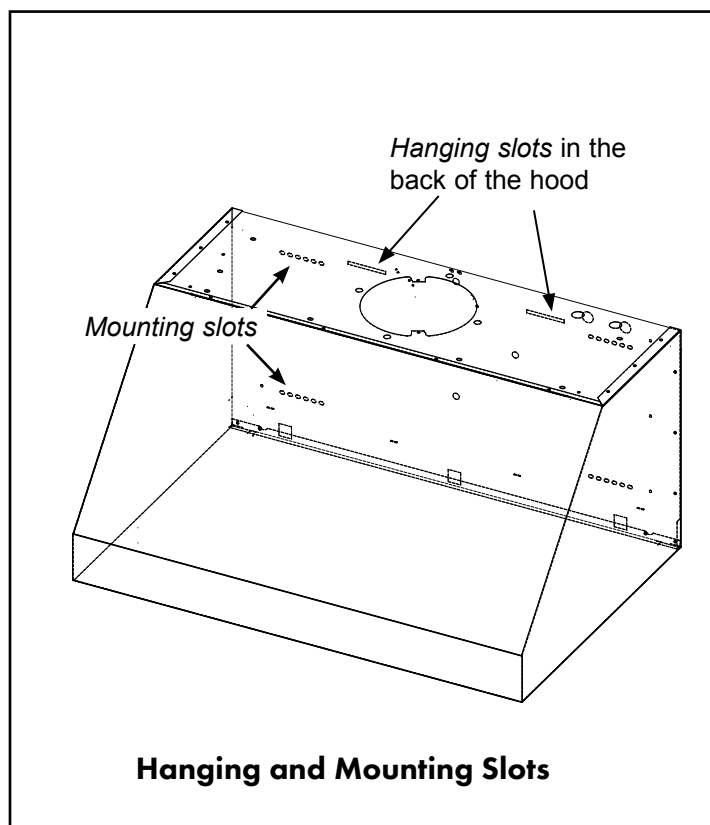
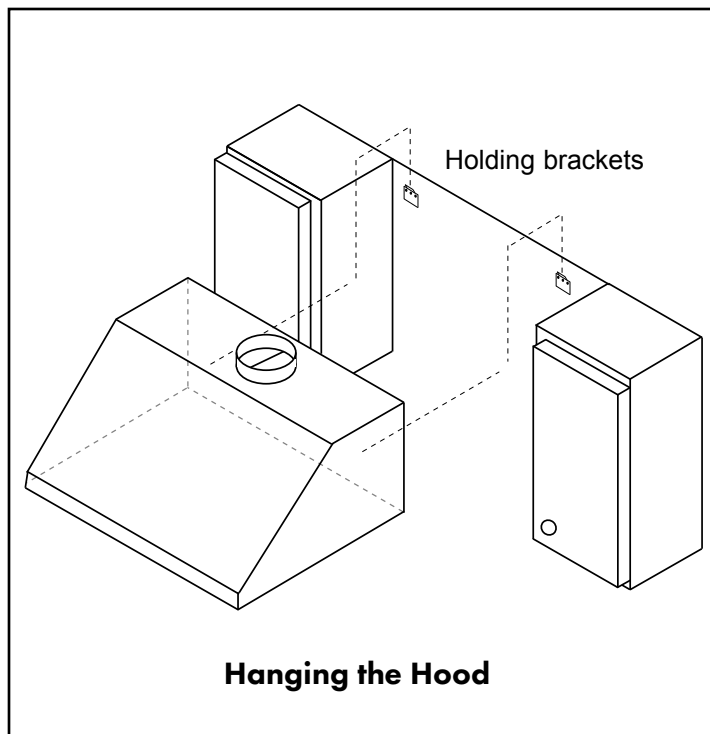
Hanging the Range Hood

 **WARNING**

Hanging the range hood requires two people. Do not attempt to lift the hood without assistance.

When hanging the hood, be careful not to scratch or damage the hood.

1. Remove the plastic film from the hood.
There are *hanging slots* in the back of the hood a few inches from the top. The holding brackets on the wall engage here and temporarily hold the hood in place.
2. Lift the hood up and catch holding brackets in the *hanging slots* in the back of the hood (see figure Hanging the Hood).
3. Adjust the hood into its final position.
4. Mark the spot by drawing in a mounting hole in the back of the hood (see figure Hanging and Mounting Slots). This is where a screw will hold the hood to the wall stud or (concrete) anchor.
5. Mark the top of the hood if the configuration calls for the hood to be secured at the top.
6. Remove the hood from the wall.
7. Drill the pilot or anchor holes. If using anchors, insert them into the anchor holes.
8. Reattach the hood to the holding brackets.
9. Adjust the hood into its final position and fasten it into place:
Insert the fasteners through the mounting slots in the back and top of the hood and into the studs, mounting blocks, or anchors.



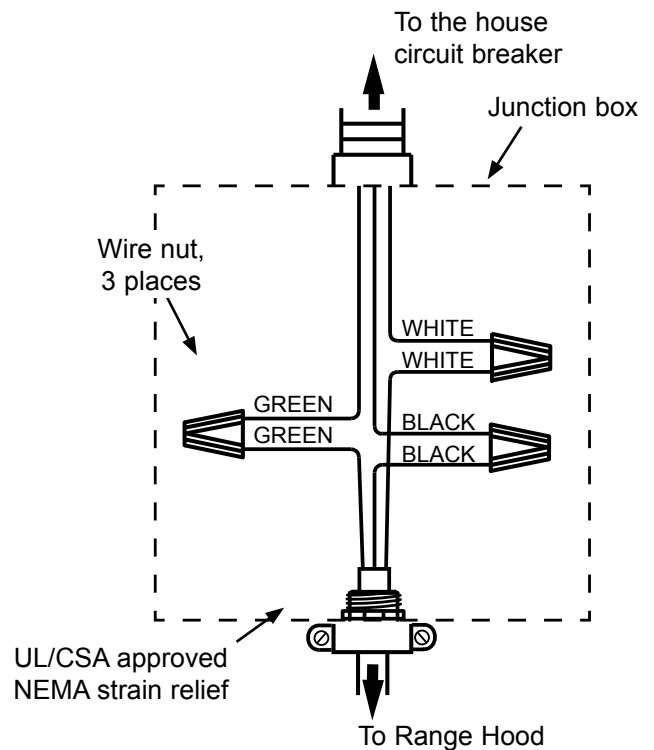
Installation Instructions

Hardwiring the Hood

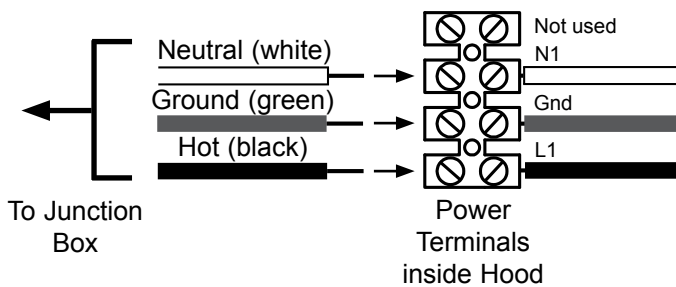
WARNING

- To avoid electric shock or fire hazard, make sure that power to the hood power supply line is turned OFF at the fuse box or circuit breaker before connecting the electrical wiring.
- Miswiring the hood electrical wiring can create an electric shock or fire hazard and could damage the hood's electrical system. See page 25.
- Do not ground the wires to the neutral (white) wire. Connect the ground wire to a separate, properly grounded ground-wire installed by a licensed electrician.
- Make sure that all wire used is the correct gauge and capable of handling the total connected loads and meeting all codes.

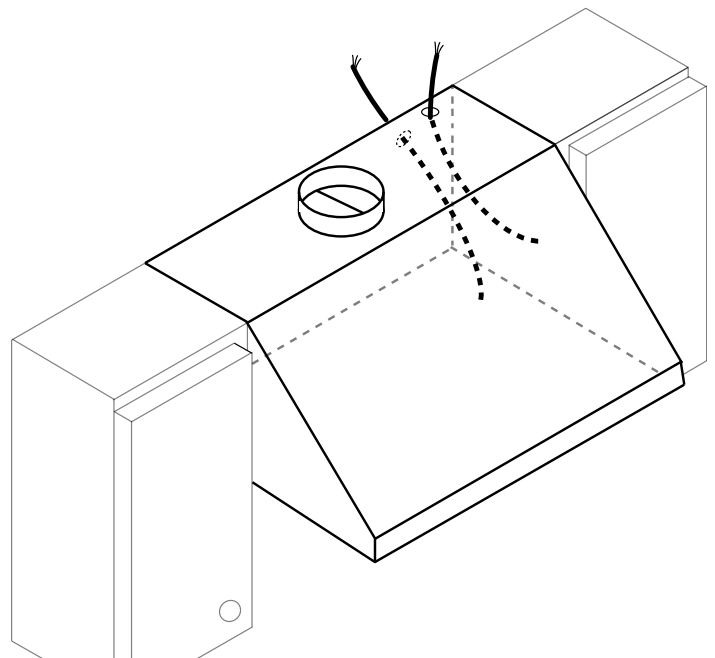
1. Shut the power OFF at the circuit breaker or fuse box.
 2. Feed the cable assembly through the hood.
 3. Connect the cable assembly to the fan.
 4. Connect the hood wiring to an electrical junction box on a dedicated circuit.
 5. See next page for instructions on how to ground the hood to a cold water pipe.
- Refer to **Wire Diagrams** on page 25.



Junction Box Wire Diagram



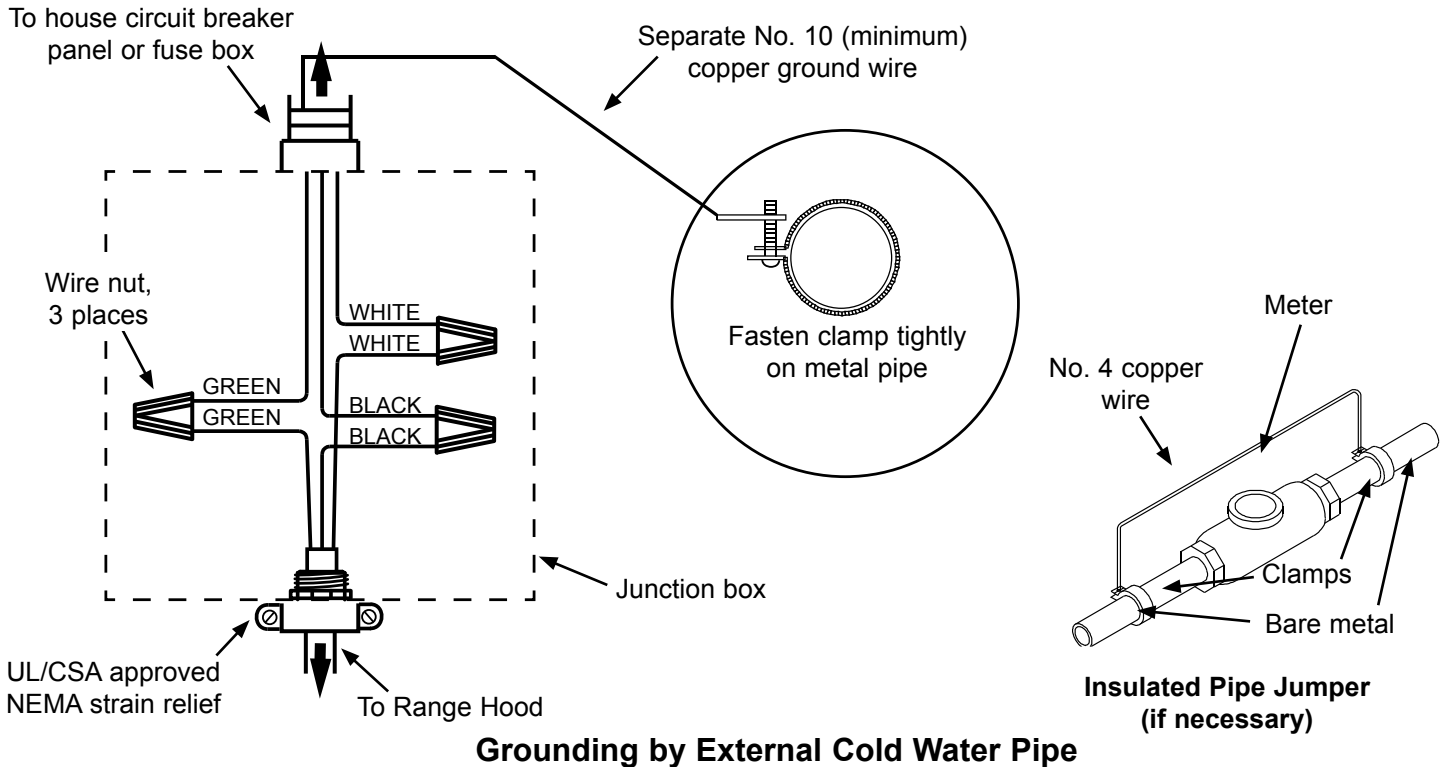
Control Panel Wire Diagram



Installation Instructions

WARNING

- Do not ground the circuit to a gas line.
- Do not ground the circuit to a hot water pipe.
- Water lines that are insulated must be jumped to assure continuity to ground. See below.



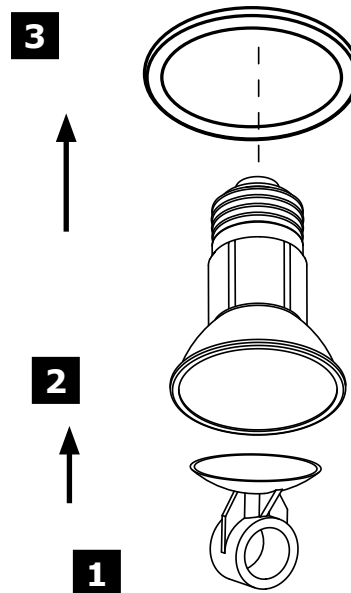
Inserting Light Bulbs

Make sure dimmable bulbs are used. The electronic board was designed for dimmable lights and using non-dimmable types will cause damage and faulty performance.

Shut the main circuit breaker OFF while inserting new or while changing bulbs. *If an electrical short occurs while the main power circuit is ON, significant damage can occur.*

Follow the diagram to the right for instructions.

1. Attach the suction cup to the lens of a dimmable light bulb. (Both are supplied parts.)
Make sure the bulb faces are clean so the suction cup can stick.
2. Insert the bulb into one of the light fixtures.
3. Screw it into place and remove the suction cup.
4. Repeat for the remaining light fixtures.
5. Switch the main circuit power ON.

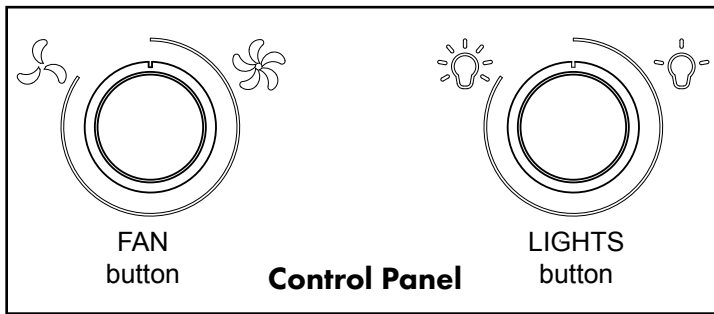


Inserting Light Bulbs with the Suction Cup Tool

Replacement Part Number	Replacement Part Description
700975	Halogen Bulb Replacement Kit (1 bulb + 1 suction cup tool)

Installation Instructions

Verifying the Setup

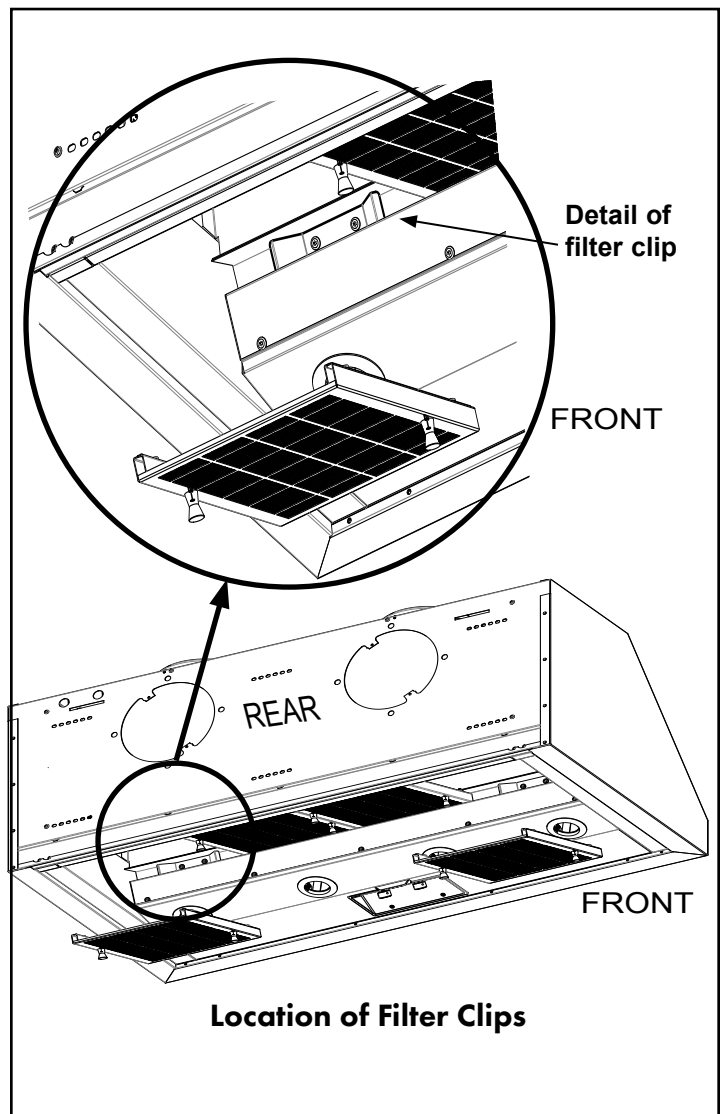
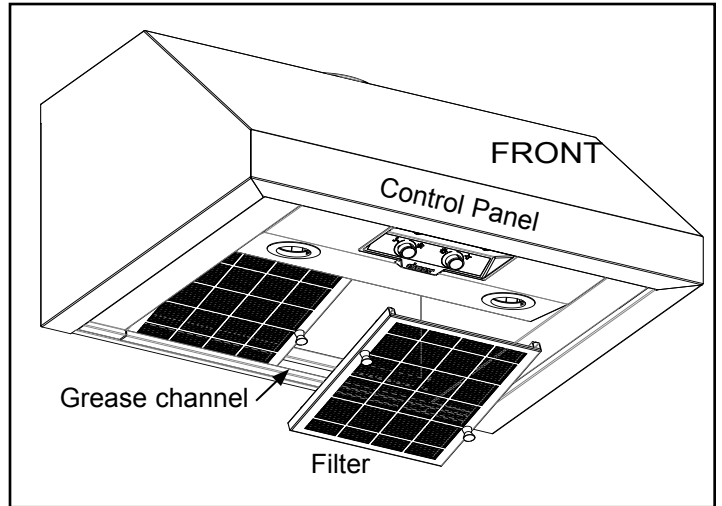


Verify the setup to ensure everything functions correctly.

1. Turn the power ON at the circuit panel or fuse box.
2. Assemble the filters if not already done so.
3. Insert the filters gently:
 - *Be careful not to scratch the back of the grease channel!*
 - Raise the front edge into the filter clip, and press forward.
 - Lift the rear edge up and above the grease channel. *Use caution not to scratch the filter against the grease channel or scratch other parts of the hood or filters.*
 - Set the rear edge onto the grease channel.
4. Turn the **LIGHTS** knob. Twist the knob half-way around for the lights to illuminate.
5. Turn the **LIGHTS** knob in the opposite direction to turn the lights off.
6. Turn the **FAN** knob. The fan(s) will start at maximum speed and decrease as you continue.
7. Turn the **FAN** knob in the opposite direction to turn the fan(s) off.

If the Hood Fails to Function Correctly:

1. Verify that power is supplied to the hood via the outlet, circuit breaker, or another main power source.
2. Make sure the electrical supply has not been disrupted by a blown fuse or problems in the outlet or service.
3. Check the electrical connections to ensure that the wiring installation has been completed correctly.
4. Repeat the above steps.
 - If the hood still does not work, contact Dacor Distinctive Service at (800) 793-0093 ex. 2822.
 - Do not attempt to repair the appliance yourself.
 - Dacor is not responsible for service required to correct a faulty installation.



Replacement Part Number	Replacement Part Description
702586	Mesh Style Filter (1 fully assembled filter)

Installation Instructions

The Installation Checklist



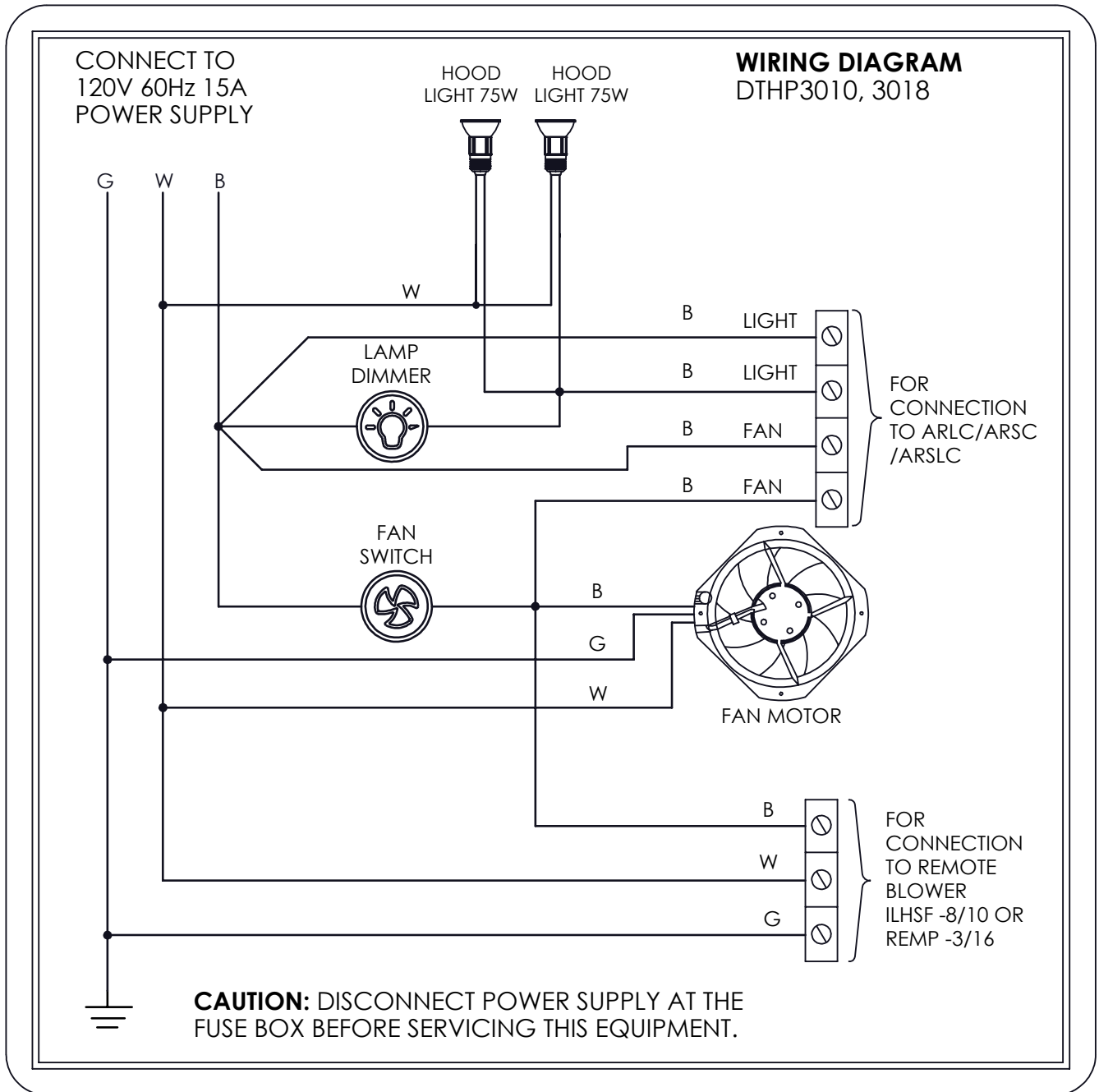
WARNING

- To ensure a safe and correct installation, the following checklist should be completed by the installer to ensure that no part of the installation has been overlooked.
- Proper installation is the responsibility of the homeowner. The importance of proper installation of your Dacor range hood cannot be overemphasized.

- Is the hood properly attached to the wall according to the instructions on pages 13 and 20?
- Is the ductwork completely installed? Are all joints attached with sheet metal screws and wrapped with foil tape? See page 19.
- Is the range hood wired and grounded according to these instructions and in accordance with all applicable electric codes? See pages 7 and 21.
- Has the setup been verified? See page 23.
- Have any problems been noted on the warranty card or during the on-line warranty activation?
- Has the warranty been activated on-line or the warranty card filled out completely and mailed?

Wiring Diagrams

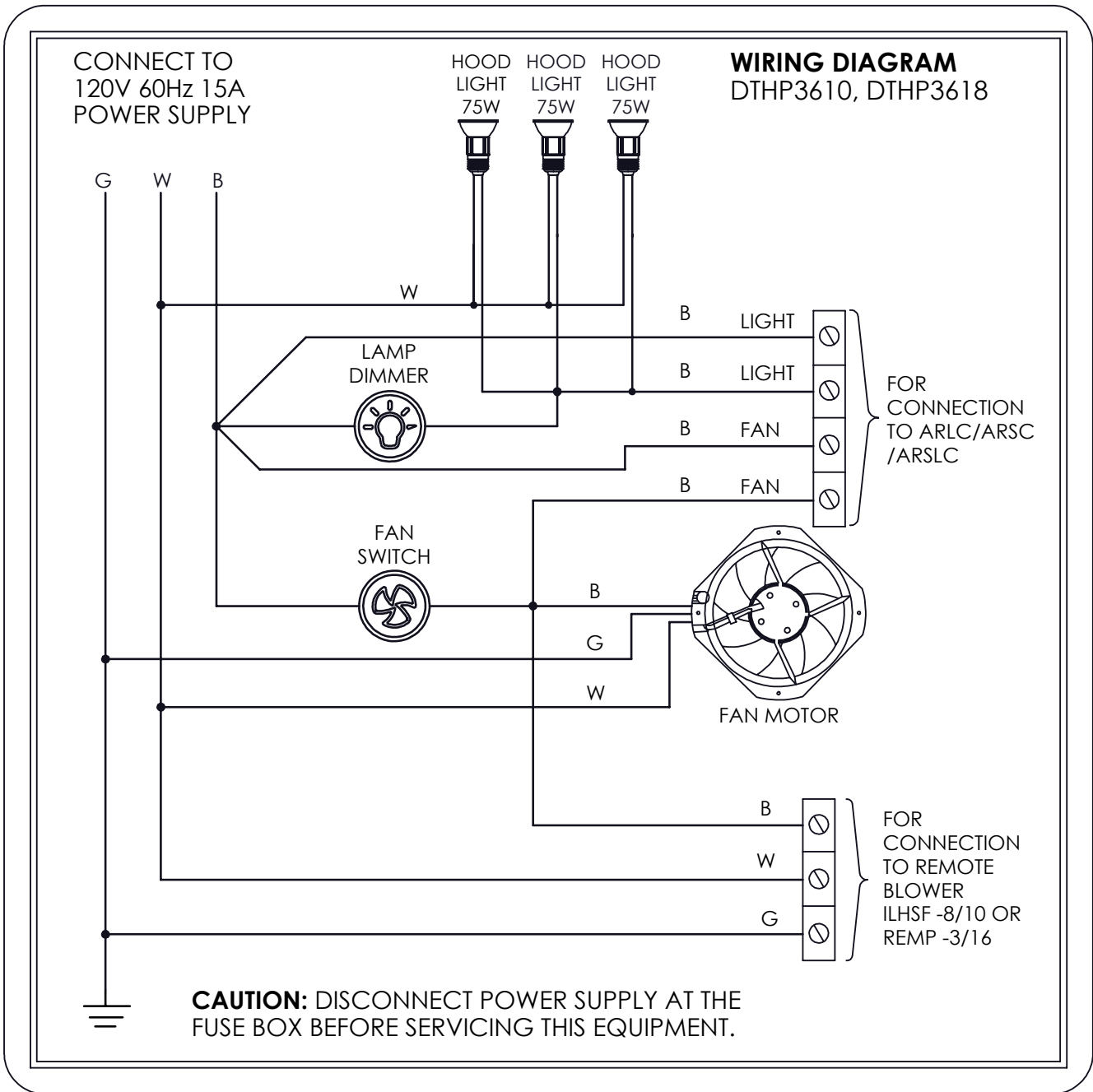
DTHP3010, DTHP3018



Wiring Diagram: 1-Fan, 2-Light Models

Wiring Diagrams

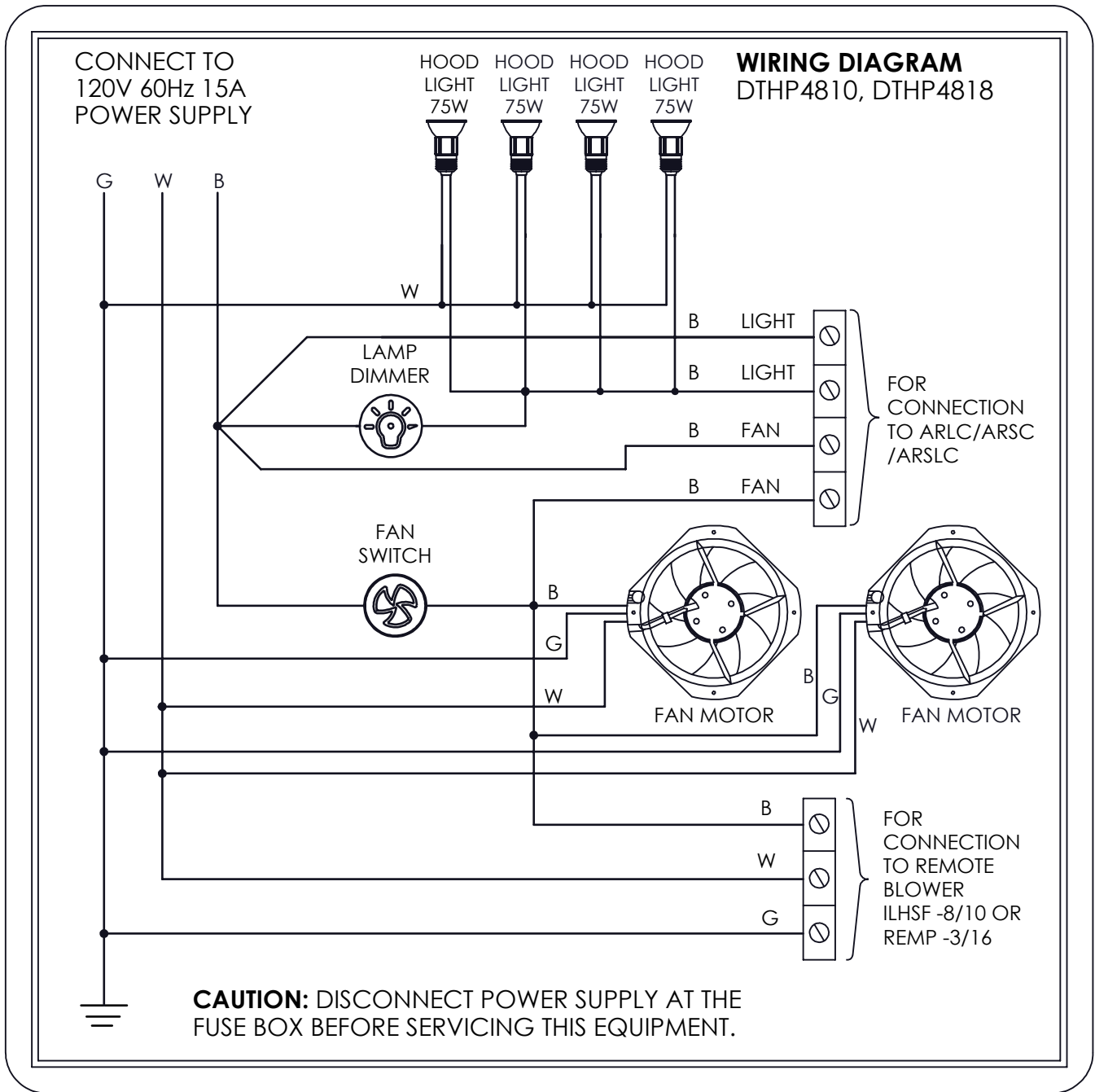
DTHP3610, DTHP3618



Wiring Diagram: 1-Fan, 3-Light Models

Wiring Diagrams

DTHP4810, DTHP4818



Wiring Diagram: 2-Blower, 4-Light Models

Notes

dacor
The Life of the Kitchen.®

