



## Installation Instructions

### Renaissance® Wall Mount Range Hoods

Models RNHP30, RNHP36, and RNHP48

**APPROVED FOR USE WITH ALL DACOR® RANGES AND COOKTOPS.**

**TESTED IN ACCORDANCE WITH THE LATEST EDITION OF ANSI/UL 507  
STANDARD FOR ELECTRIC FANS AND CAN/CSA-C22.2 NO. 115 STANDARD  
FOR FANS AND VENTILATORS.**

# Table of Contents

<b>Important Safety Instructions</b> .....	1	Planning the Ductwork .....	9
Important Information About Safety Instructions .....	1	Preparing the Mounting Location .....	11
General Safety Precautions .....	2	<b>Installation Instructions</b> .....	<b>12</b>
<b>Product Specifications</b> .....	<b>3</b>	Marking the Centerlines .....	12
General Specifications .....	3	Installing the Holding Brackets.....	13
Weight Specifications .....	3	Rotating the Blower(s) for Rear Exhaust .....	14
Dimensions .....	4	Assembling the Filters.....	18
<b>Preparation and Setup</b> .....	<b>6</b>	Using the Dual to Single Transition Kit# AHT10 .....	19
Parts List .....	6	Hanging the Range Hood .....	21
Necessary Tools and Hardware .....	6	Hardwiring the Hood .....	22
Meeting Electrical Codes .....	7	Verifying the Setup.....	24
Installing the Electrical Source.....	7	The Installation Checklist .....	25
Meeting Installation Requirements.....	8	<b>Wiring Diagrams</b> .....	<b>26</b>

## Before You Begin...

### Important:

- **Installer:** In the interest of safety and to minimize problems, read these **Installation Instructions** completely and carefully before you begin the installation process. Leave these installation instructions with the consumer. Write the Data Plate Information in the Use and Care Manual before installing the unit.
- **Customer:** Keep these **Installation Instructions** for future reference and the local electrical inspector's use.

### If You Need Help...

If you have questions or problems with installation, contact your Dacor dealer or the Dacor Customer Service Team. For repairs to Dacor appliances under warranty call the Dacor Distinctive Service line. Whenever you call, have the model and serial number of the appliance ready. The model and serial number are printed on the appliance data plate.

#### Dacor Customer Service Team

Phone: (800) 793-0093 ex. 2813 (U.S.A. and Canada)  
Monday — Friday 6:00 A.M. to 5:00 P.M. Pacific Time  
Web site: [www.dacor.com](http://www.dacor.com)

#### Dacor Distinctive Service (for repairs under warranty only)

Phone: (800) 793-0093 ex. 2822 (U.S.A. and Canada)  
Monday — Friday 6:00 A.M. to 5:00 P.M. Pacific Time

### Appliance Data Plate

The appliance data plate is a label that:

- has the model and serial number information and electrical requirements.
- is located inside the hood, above the filters on the back wall of the chassis. Remove the filters to view it.

**All specifications subject to change without notice. Dacor assumes no liability for changes to specifications.**

# Important Safety Instructions

## Important Information About Safety Instructions

- The **Important Safety Instructions** and warnings in these instructions are not meant to cover all possible problems and conditions that can occur. Use common sense and caution when installing, maintaining or operating this or any other appliance.
- Always contact the Dacor Customer Service Team about problems and conditions that you don't understand.

## Safety Symbols and Labels

### **DANGER**

Immediate hazards that **WILL** result in severe personal injury or death.

### **WARNING**

Hazards or unsafe practices that **COULD** result in severe personal injury or death.

### **CAUTION**

Hazards or unsafe practices that **MIGHT** result in minor personal injury or property damage.

### **DANGER**

To avoid the possibility of explosion or fire, do not store or use combustible, flammable or explosive vapors and liquids (such as gasoline) inside or in the vicinity of this or any other appliance. Also keep items that could explode, such as aerosol cans away from cooktop burners, ovens and range hoods. Do not store flammable or explosive materials in adjacent cabinets or areas.

### **WARNING**

If the information in this manual is not followed exactly, a fire or explosion may result causing property damage, personal injury or death.

### **WARNING**

**WARNING - TO REDUCE THE RISK OF FIRE, ELECTRIC SHOCK, OR INJURY TO PERSONS, OBSERVE THE FOLLOWING:**

- a) Use this unit only in the manner intended by the manufacturer. If you have questions, contact the manufacturer.
- b) Before servicing or cleaning unit, switch power off at service panel and lock the service disconnecting means to prevent power from being switched on accidentally. When the service disconnecting means cannot be locked, securely fasten a prominent warning device, such as a tag, to the service panel.

### **WARNING**

**WARNING – TO REDUCE THE RISK OF FIRE, ELECTRIC SHOCK, OR INJURY TO PERSONS, OBSERVE THE FOLLOWING:**

- a) Installation work and electrical wiring must be done by qualified person(s) in accordance with all applicable codes and standards, including fire-rated construction.
- b) Sufficient air is needed for proper combustion and exhausting of gases through the flue(chimney) of fuel burning equipment to prevent back drafting. Follow the heating equipment manufacturer's guideline and safety standards such as those published by the National Fire Protection Association (NFPA), and the American Society for Heating, Refrigeration and Air Conditioning Engineers (ASHRAE), and the local code authorities.
- c) When cutting or drilling into wall or ceiling, do not damage electrical wiring and other hidden utilities.
- d) Ducted fans must always be vented to the outdoors.

**READ AND SAVE THESE INSTRUCTIONS**

# Important Safety Instructions

## CAUTION

For general ventilating use only. Do not use to exhaust hazardous or explosive materials and vapors.

## General Safety Precautions

To reduce the risk of fire, electric shock, serious injury or death when using your appliance, follow basic safety precautions, including the following:

## WARNING

- Do not install or operate this hood if it has been damaged, dropped, has damaged electrical wires or is not working properly. If the product is damaged when received, immediately contact the dealer or builder.
- This range hood must be installed and grounded by a qualified installer according to these installation instructions.
- Install or locate this appliance only in accordance with these installation instructions and the requirements specified by the manufacturer of the cooktop or range. Improper installation, adjustment, alteration, service, or maintenance can cause serious personal injury or property damage.
- The user should not install, repair, or replace any part of the range hood unless specifically recommended in the literature accompanying it. A qualified service technician should perform all other service. Contact the nearest Dacor authorized service representative at (800) 793-0093, or at [www.dacor.com](http://www.dacor.com) for examination, repair or adjustment.
- Keep all packaging materials away from children. Plastic bags can cause suffocation.
- Do not use an extension cord or adapter plug with this appliance.
- The installer must show the user the fuse box or circuit breaker panel box and how to turn the power on/off.
- Before installing or servicing the range hood, switch the power OFF at the fuse box circuit breaker and lock the electrical panel door to prevent power from being switched on accidentally. When the electrical panel cannot be locked, securely fasten a prominent warning device, such as a tag, to the electrical panel.
- Read the Use and Care Manual completely before using the appliance. Clean the appliance only as instructed in the Use and Care Manual. Use only the cleaners specified.
- Do not tamper with the controls.
- Never allow the filters to become blocked or clogged. Do not allow foreign objects, such as cigarettes or napkins, to be sucked into the hood.
- Clean the filters, channels, and all grease-laden surfaces often to prevent grease fires and to maintain performance.
- If the cooktop and range hood are near a window, use an appropriate window treatment; Avoid long drapes or window coverings that could blow over the cooktop and hood and create a fire hazard.
- Always run the blower(s) whenever the cooktop is operating.
- Never leave the range or cooktop unattended when a burner (or element) is in use. Boil-overs and greasy spills may smoke and/or ignite.
- Do not leave children alone or unattended in the area where the cooktop and range hood are in use. Never allow children to sit or stand on an appliance. Do not let children play with a range, cooktop, or range hood. Do not store items of interest to children above or around the cooktop, range, or range hood.
- The minimum vertical distance between the cooktop surface and the exterior part of the hood must be no less than 30" (76.2 cm). The vertical distance may be longer for the range or cooktop being used. Consult the range or cooktop Installation Instructions for the minimum and maximum vertical distance from the appliance being used.
- TO REDUCE THE RISK OF FIRE, USE ONLY METAL DUCTWORK.
- PROLONGED POWER FAILURE Do not attempt to use this appliance during a continuous power failure.

# Product Specifications

## General Specifications

### All Models

Features	Description
Blower Speeds	Four (4)
Filters	Baffle style, dishwasher safe
Exhaust(s)	8-inch duct diameter
Total Connect Load	120V, 60 Hz, 9 Amp. Max. (10.0 Amp Max. surge)
Lights	Dimmable LED: PAR16 E26/27 120V, 7.5W (75W Max. other bulbs)

### Individual Models

Model Number	RNHP48	RNHP36	RNHP30
Lights	4	3	2
Filters	4	3	2
Blowers	2	1	1
Exhaust Vents	2	1	1
Blower Rating	1200 CFM	600 CFM	600 CFM

## Weight Specifications

### Individual Models

Model	Weight
RNHP3012	51 lbs. (23 kg)
RNHP3018 RNHP3612	53 lbs. (24 kg)
RNHP3618	57 lbs. (26 kg)
RNHP4812	70 lbs. (32 kg)
RNHP4818	77 lbs. (35 kg)

### Individual Models

Model Number	Top Vent	Rear Vent	Rotatable Fan
RNHP3012	x	x	x
RNHP3018	x	x	x
RNHP3612	x	x	x
RNHP3618	x	x	x
RNHP4812	x	x	x
RNHP4818	x	x	x

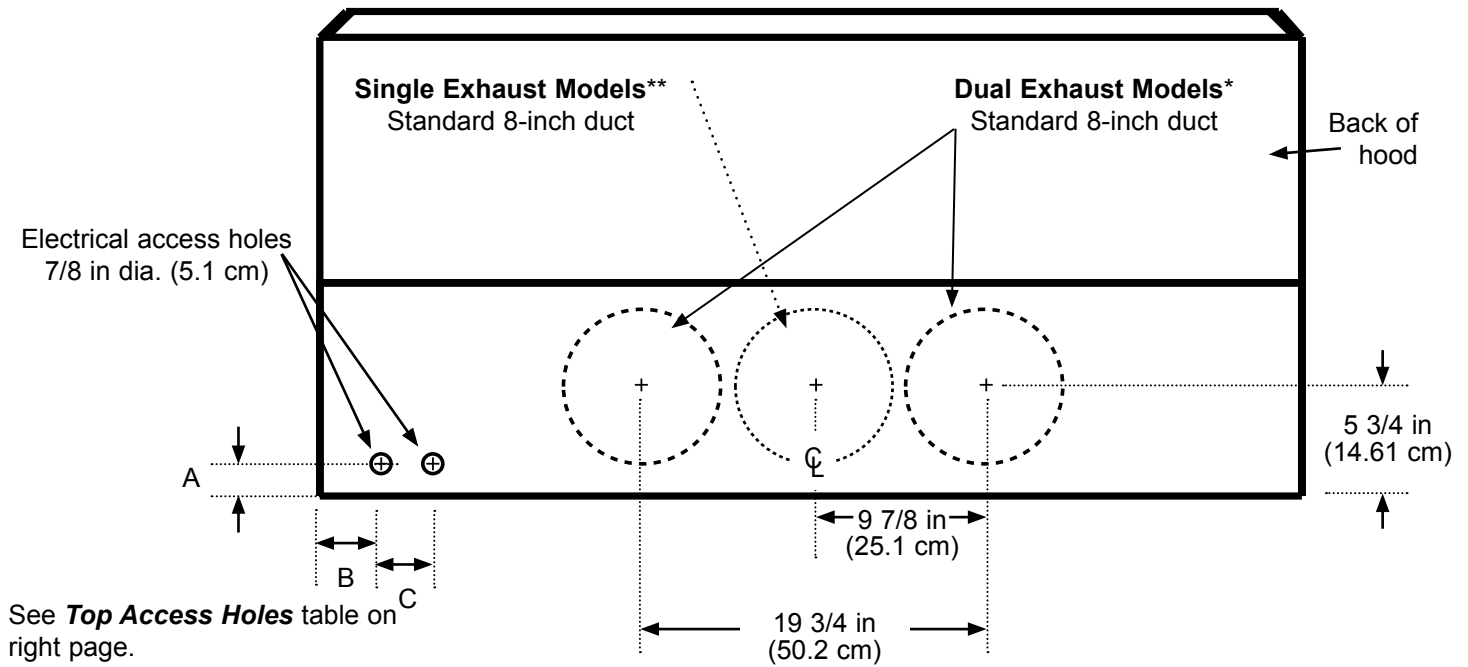
# Product Specifications

## Dimensions

### Electrical and Ductwork Connections

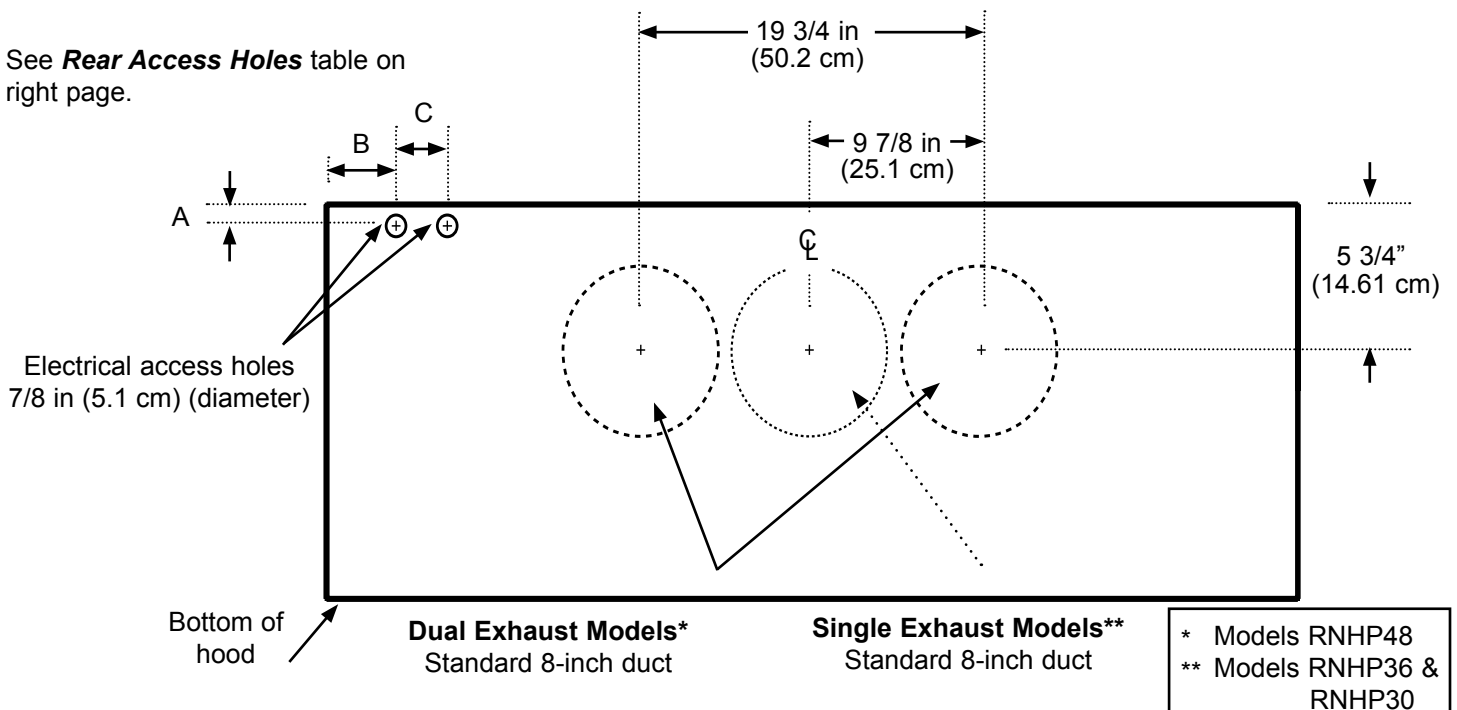
Connect electrical wires and ductwork through the top or rear of the hood. Before installing the hood, mark the access holes according to the diagrams below.

#### Top Connections: Electrical and Duct Dimensions



Tolerances: +1/16" -0", unless otherwise stated.

#### Rear Connections: Electrical and Duct Dimensions

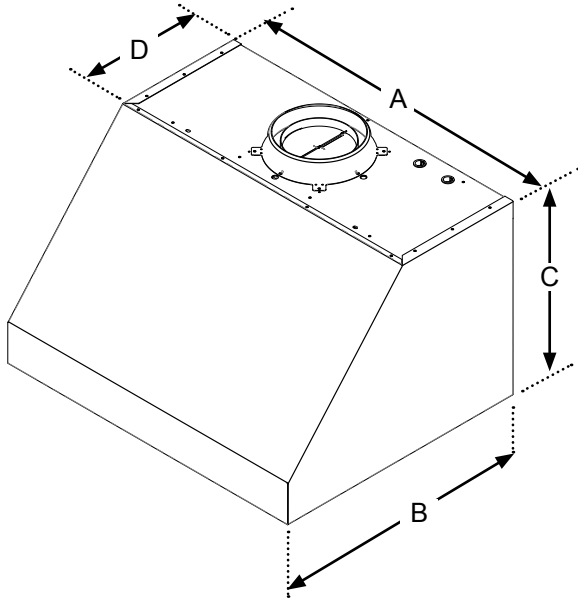


# Product Specifications

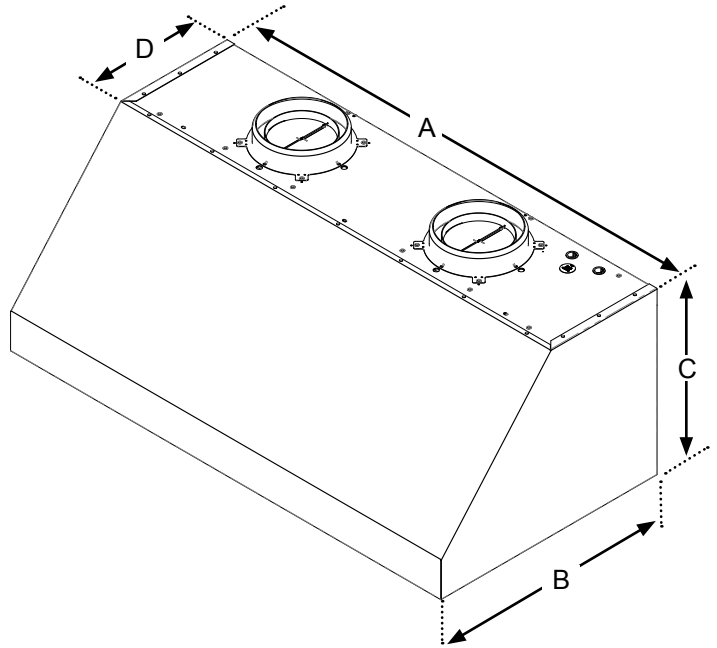
## Dimensions

Tolerances: +1/16" -0" unless otherwise stated.

### Single Blower: RNHP30 & RNHP36 Series



### Dual Blower: Model RNHP48 Series



### Hood Dimensions

Model	A	B	C	D
RNHP3012	29 7/8" (75.9 cm)	24" (61 cm)	12" (30.48 cm)	11 7/8" (30.2 cm)
RNHP3612	35 7/8" (91.1 cm)			
RNHP4812	47 7/8" (121.6 cm)			
RNHP3018	29 7/8" (75.9 cm)	24" (61 cm)	18" (45.7 cm)	11 7/8" (30.2 cm)
RNHP3618	35 7/8" (91.1 cm)			
RNHP4818	47 7/8" (121.6 cm)			

### Page 4: Electrical Access Dimensions

Top Access Holes	A	B	C
RNHP48	1 1/2" (3.81 cm)	5" (12.7 cm)	3" (7.62 cm)
RNHP36	1 1/2" (3.81 cm)	4 1/2" (11.43 cm)	3" (7.62 cm)
RNHP30	1 1/2" (3.81 cm)	5 1/2" (13.97 cm)	3" (7.62 cm)

Rear Access Holes	A	B	C
RNHP48	1" (2.54 cm)	5" (12.7 cm)	3" (7.62 cm)
RNHP36	1" (2.54 cm)	4 1/2" (11.43 cm)	3" (7.62 cm)
RNHP30	1" (2.54 cm)	5 1/2" (13.97 cm)	3" (7.62 cm)

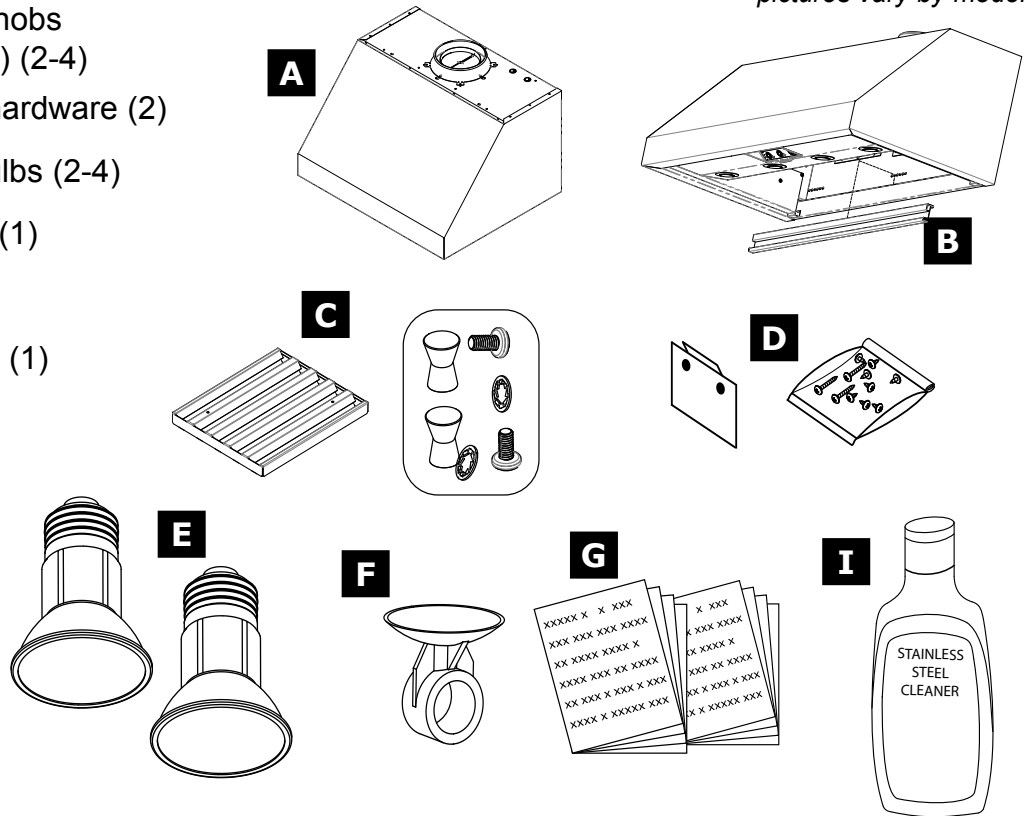
# Preparation and Setup

## Parts List

Hood Model	RNHP48	RNHP36	RNHP30
LED Lights	4	3	2
Baffle-Style Filters	4	3	2

- A** Hood (1)
- B** Grease channel (1)
- C** Baffle-style filter with knobs (ready-to-assemble kit) (2-4)
- D** Holding brackets and hardware (2)
- E** Dimmable LED light bulbs (2-4)
- F** Light replacement tool (1)
- G** Literature (2)
- I** Dacor Cleaning Creme (1)

*pictures vary by model*



## Necessary Tools and Hardware

Please make sure these tools and hardware are within reach before beginning the installation.

Hood Installation		
Phillips screwdriver	Drill + bits	Jigsaw
Flathead screwdriver	Tape measure	8" Ducting
Pencil or marking tool	Stud finder	Foil tape
Wire connector caps	Level	Sheet metal screws
Wire stripper	Junction box	

Blower Rotation (optional)	
Phillips screwdriver	5/16" Nut driver

Dual to Single Vent Transition Kit (optional accessory)		
Dacor Kit #AHT10	Drill	Foil tape
10" Ducts and ducting materials	Sheet metal screws	



# Preparation and Setup

## Meeting Electrical Codes

## Installing the Electrical Source

### WARNING

Make sure electrical service to the range hood is installed by a licensed electrician.

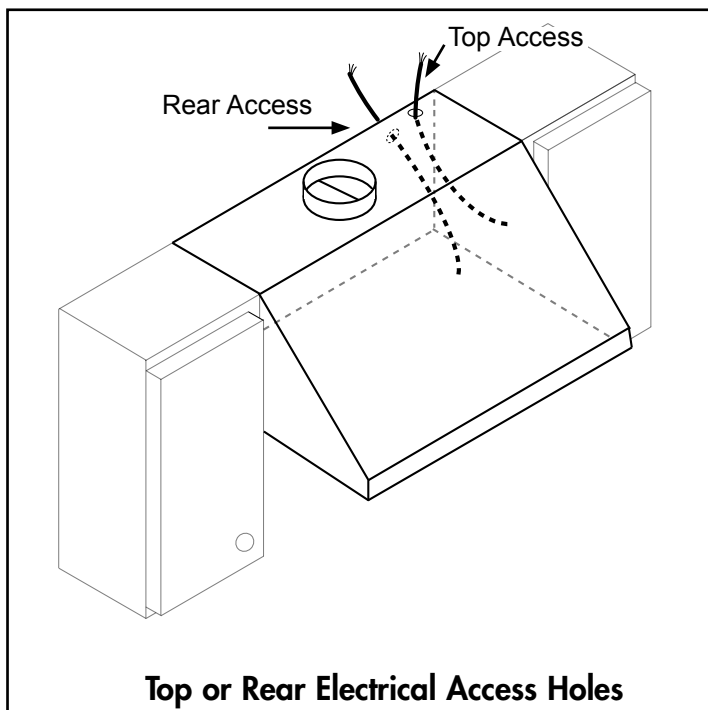
It is the owner's responsibility to confirm that all electrical requirements are met by a qualified electrician who is servicing this appliance.

The electrical installation, including the minimum supply-wire size and grounding, must be in accordance with the National Electric code ANSI/NFPA\* (or latest revision), local codes, and ordinances.

\*A copy of this standard can be obtained from:

National Fire Protection Association  
1 Batterymarch Park  
Quincy, Massachusetts 02269-9101

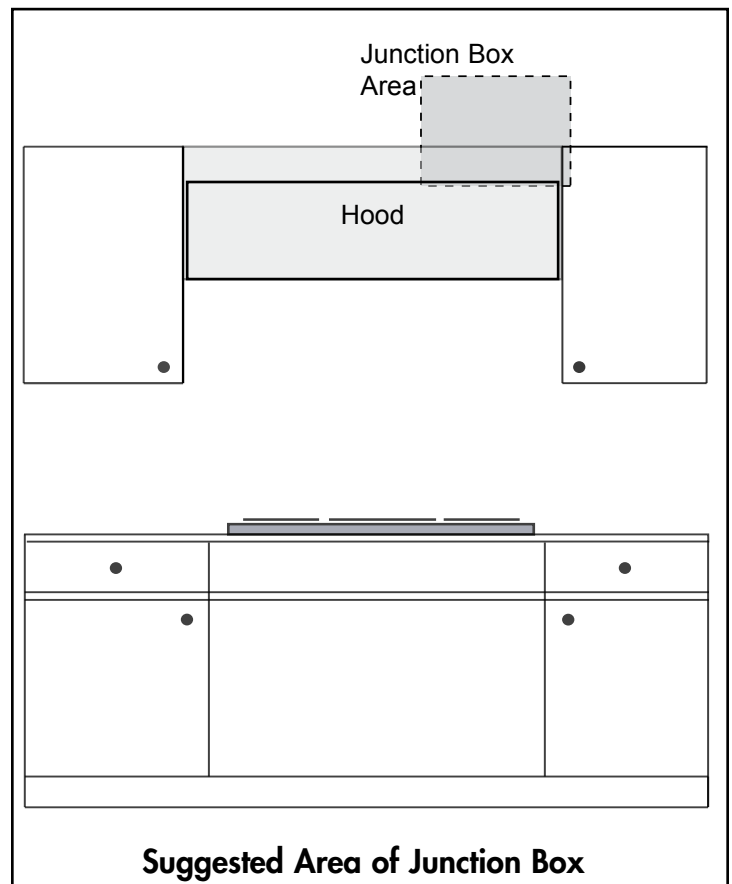
- The ground terminal on the hood must be connected to a grounded, metallic, permanent wiring system, or a grounding conductor installed by a licensed electrician.
- Do not ground the appliance or appliance wiring to a gas pipeline or to the neutral (white) power supply wire.
- Do not install a fuse in the neutral or ground circuit.
- **Connect the hood directly to an electrical junction box.** Hard-wire the hood according to local code directly to a dedicated three-wire grounded, single phase circuit rated at 120 Vac 60 Hz, 15 Amp.
- See the diagram below: **Top or Rear Electrical Access Holes** for wire hole locations inside the hood.
- See **Wiring Diagrams** at the end of this document.



Install an electrical junction box near the hood's electrical access holes according to local codes.

See image below: **Suggested Area of Junction Box.**

1. Drill 7/8" holes in the wall or cabinet (as needed) to act as a passageway for the electrical wiring.
2. See the last pages of this Installation Guide for wire diagrams.



# Preparation and Setup

## Meeting Installation Requirements

### WARNING

Observe all governing codes and ordinances during planning and installation. Contact your local building department for further information. Use only ductwork deemed acceptable by state, municipal and local codes.

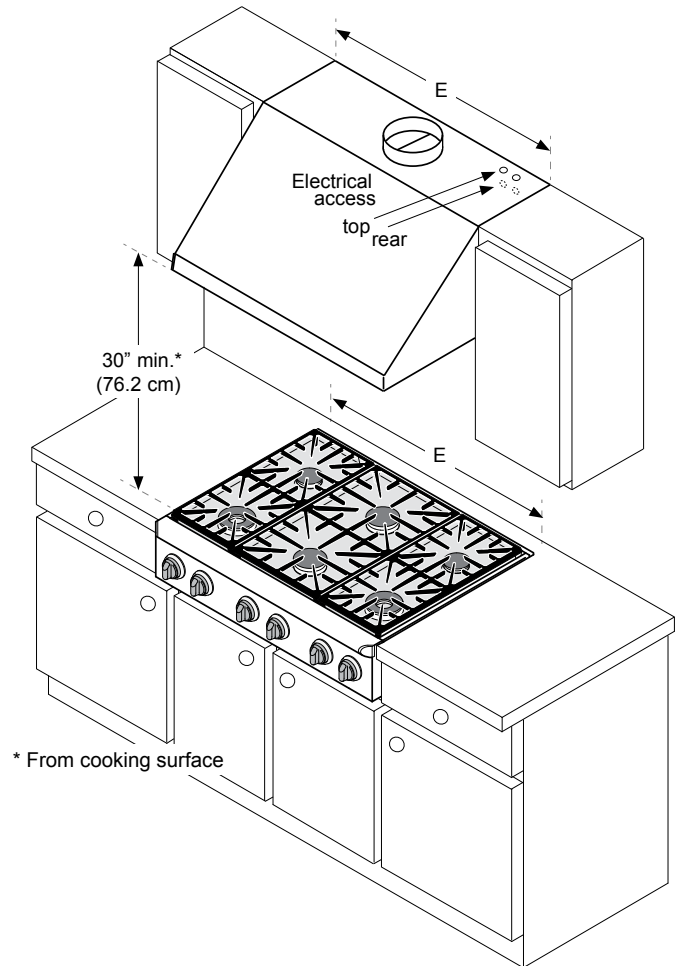
### WARNING

To reduce the risk of personal injury caused by reaching over a hot appliance, cabinet storage space located directly above the range should be avoided.

### IMPORTANT

See the diagram for minimum installed distance from the hood to the cooktop surface. The minimum specified distance may be higher for the particular range or cooktop in use. Check the manufacturers specifications for the cooktop or range.

- The hood must be as wide as the cooktop surface or wider.
- Plan the installation so that all minimum dimensions are met or exceeded.
- Dimensions given are minimum clearances, unless otherwise noted.
- All contact surfaces between the hood and any cabinetry or walls must be sturdy, solid, and at right angles.
- Install the hood and cooking appliance(s) so that they can be removed if service is required.



**Cabinet Layout Dimensions**

Minimum Width of E: Upper Cabinet Cutout & Appliance Width	
Models	E
RNHP3012, RNHP3018	30 inches (76.2 cm)
RNHP3612, RNHP3618	36 inches (91.5 cm)
RNHP4812, RNHP4818	48 inches (121.9 cm)

*All tolerances: +1/16" -0", unless otherwise stated.*

# Preparation and Setup

## Planning the Ductwork

### WARNING

- To prevent combustion by-products, smoke or odors from entering the home and to improve efficiency, tape all duct joints securely.
- Range hoods may interrupt the proper flow of smoke and combustion gases from furnaces, gas water heaters, and fireplaces. To avoid drawing lethal gases into the home, follow the manufacturer's recommendation for these devices and consult NFPA and ASHRAE recommendations.
- Failure to install a remote blower or proper ductwork may result in a backdraft and/or insufficient venting of smoke and fumes.
- **DO NOT** install an additional in-line or external blower to increase the length of the duct run. Even small differences between blower air flow rates can greatly reduce the air draw by the hood.

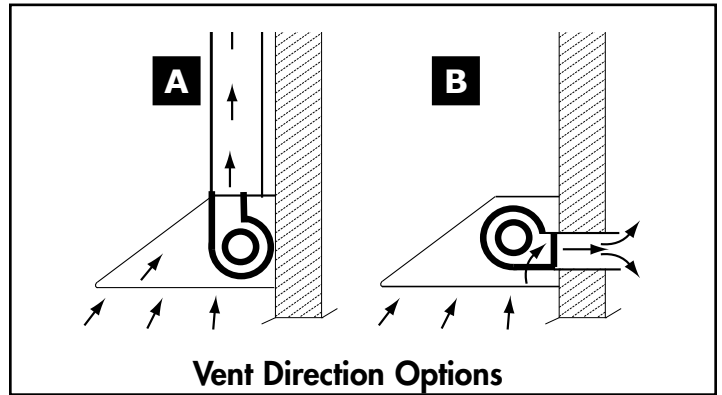
### CAUTION

To reduce the risk of fire and to properly exhaust air, be sure to duct air outside the house or building. Do not vent exhaust air into spaces within walls or ceilings or into attics, crawl spaces or garages.

### WARNING

During duct installation, make sure there are no obstructions that keep the damper flaps on the top of the hood from opening.

- Local building codes may require the use of makeup air systems with ventilation systems that move air greater than the specified movement rate (CFM). The specified rate varies based on locale. Consult a qualified HVAC specialist when designing the system for the requirements in your area and to assure optimal performance.
- All ductwork materials (including screws and foil tape) must be purchased separately by the customer.
- Make sure ductwork does not interfere with floor joists or wall studs.
- On dual exhaust models, the two 8-inch exhausts may be merged into one 10-inch duct using Dacor transition kit AHT10. See page 19 for details.
- Fasten all joints with sheet metal screws and seal with certified duct tape or foil tape.



The blower direction is through top **A** of the hood. However, the blower can be rotated to vent through the rear **B** of the hood.

When planning new ductwork, always find the shortest, most direct route to the outside.

## Duct Length Calculation Table

The maximum straight duct length for the hood is determined by the type of duct used. See the chart below.

Duct Size	Maximum Duct Run
8-inch Round	60 feet
10-inch Round	50 feet
3 1/4-in x 10-in Rectangular	50 feet

For each elbow and transition added, "equivalent lengths" must be subtracted from your total maximum duct run length to compensate for wind resistance.

To determine your maximum length:

1. Start with the total max. length of your duct run, then
2. Subtract all of the ductwork equivalent lengths (see chart below).

## Ductwork Equivalent Lengths

Piece	Subtract	Piece	Subtract
8-inch 90° Elbow	7 feet	10-inch 90° Elbow	5 feet
8-inch 45° Elbow	3 feet	10-inch 45° Elbow	2 feet
3-in x 10-inch to Round 90° Transition	25 feet	3 1/4 in x 10 in to 8 in / 10 in Round Transition	4 feet
Roof Cap	*	Wall Cap with Damper	*

\* The equivalent lengths of roof and wall caps vary with model and configuration.

# Preparation and Setup

## Ductwork Tips

Wherever possible, reduce the number of transitions, turns, and sharp angles. Two staggered 45° angles are better than one sharp 90° angle.

Keep turns as far away from the hood exhaust as possible, and keep as much space between any bends as possible.

For best performance: use round duct instead of rectangular, especially when elbows are required.

If multiple elbows are used, try to keep at least 24 inches of straight duct between each elbow.

Avoid using “S” or back-to-back adjacent elbows.

In extremely cold weather regions, use thermal breaks, i.e., short sections of non-metallic duct, to avoid indoor heat loss. Locate the break as close as possible to the outside pass-through point.

Do not use flexible metal duct. Do not use ductwork that is smaller than what is advised in the tables.

- The hood exhaust connects to an 8-inch round duct. You can *increase* the duct size over the duct run if desired.
- To prevent a backdraft, *never decrease* the duct size over the run. If existing ductwork is smaller than 8 inches in diameter, remove it and replace it with 8-inch ductwork.
- Do not rely on tape alone to seal duct joints. Fasten all connections with sheet metal screws, and tape all joints with certified duct tape or foil tape.
- Use sheet metal screws as needed to support the weight of the ducting.
- To prevent backdrafts, a damper at the duct outlet may also be required.

# Preparation and Setup

## WARNING

- The electricity to the range hood should be installed only by a licensed electrician.
- Observe all governing codes and ordinances during site preparation and installation. Contact your local building department for further information.
- Failure to properly anchor the hood to the wall may result in personal injury due to the unit falling off the wall.
- To avoid an electric shock hazard and property damage, locate electric wires and water pipes and avoid drilling or cutting in the vicinity.
- Use the *temporary* holding brackets only to hold the hood in place until permanent anchoring is secured.

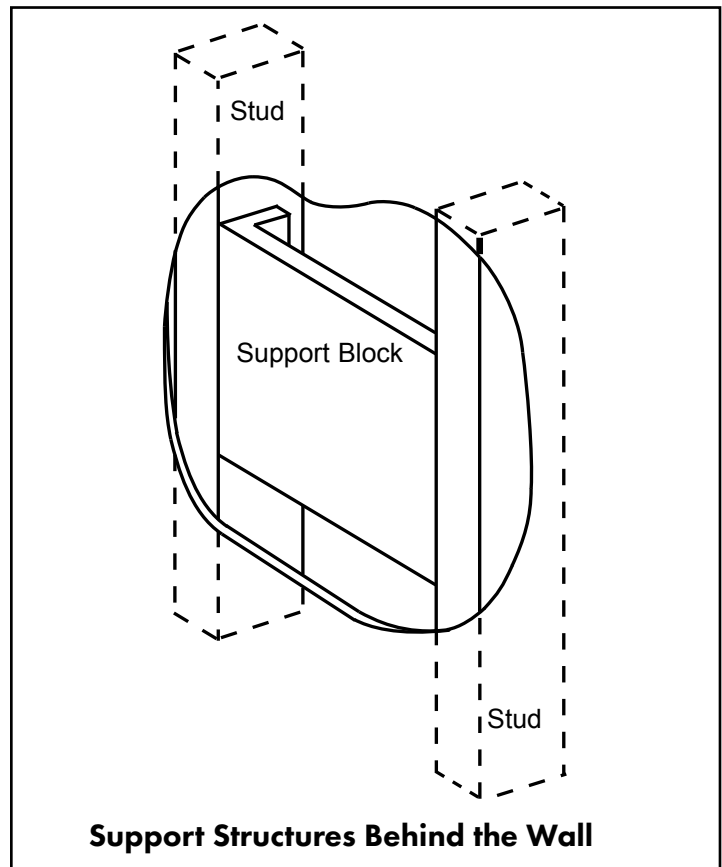
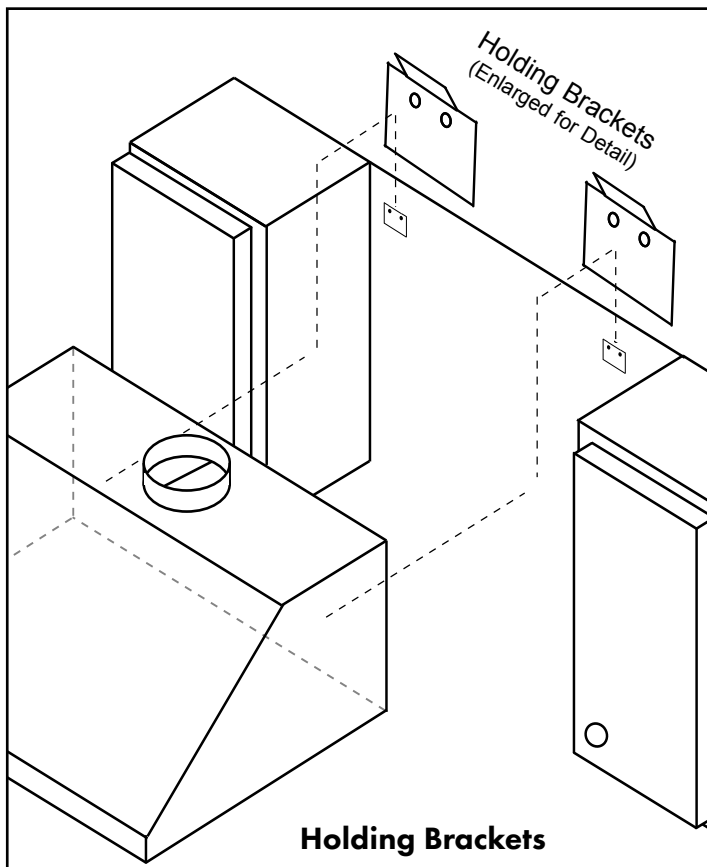
## Preparing the Mounting Location

Holding brackets and hardware are provided to temporarily hold the hood in place while you permanently fasten the hood to the wall.

The illustrations below show the purpose of the holding brackets and the support behind the wall.

1. If mounting the hood to brick or masonry, select anchors capable of holding the full weight of the hood.
  2. Make sure the mounting surface is properly reinforced to support the full weight of the unit.
- If mounting the unit to drywall or a plastered surface, install a reinforced mounting block between the studs.
  - Attach screws directly to the studs and cabinets if they align with the mounting holes in the back and top of the hood.

Model	Weight
RNHP3012	51 lbs. (23 kg)
RNHP3018 RNHP3612	53 lbs. (24 kg)
RNHP3618	57 lbs. (26 kg)
RNHP4812	70 lbs. (32 kg)
RNHP4818	77 lbs. (35 kg)



# Installation Instructions

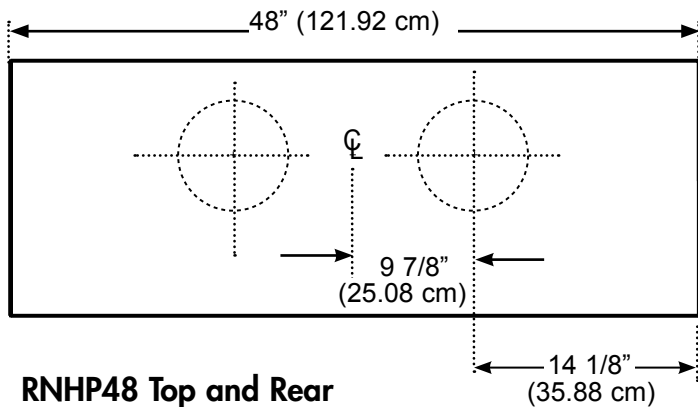
## Marking the Centerlines

These measurements and marks are for centering and leveling the hood, marking the duct cutouts, and installing the holding brackets.

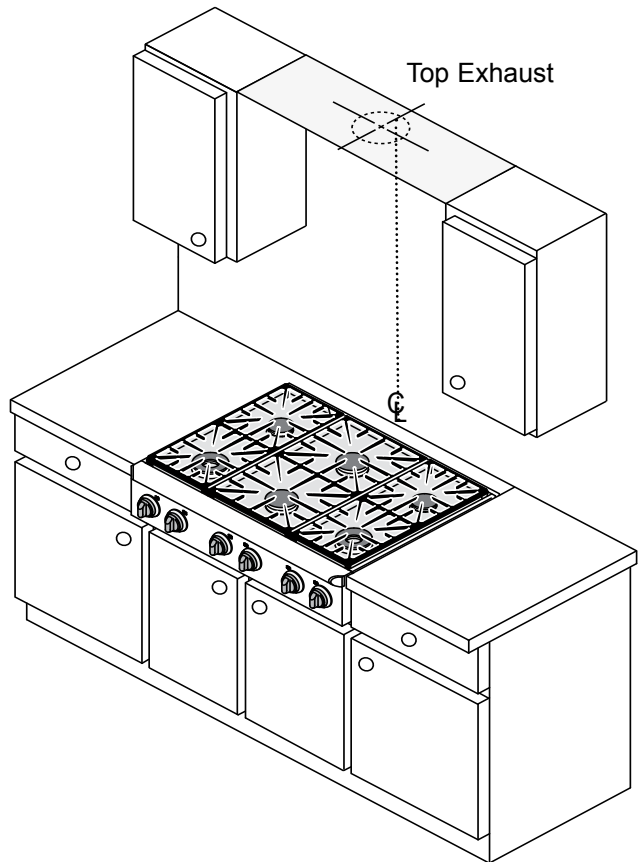
The holding brackets temporarily hold the hood while you mount it permanently into place.

Have a marking tool, tape measure, and level ready.

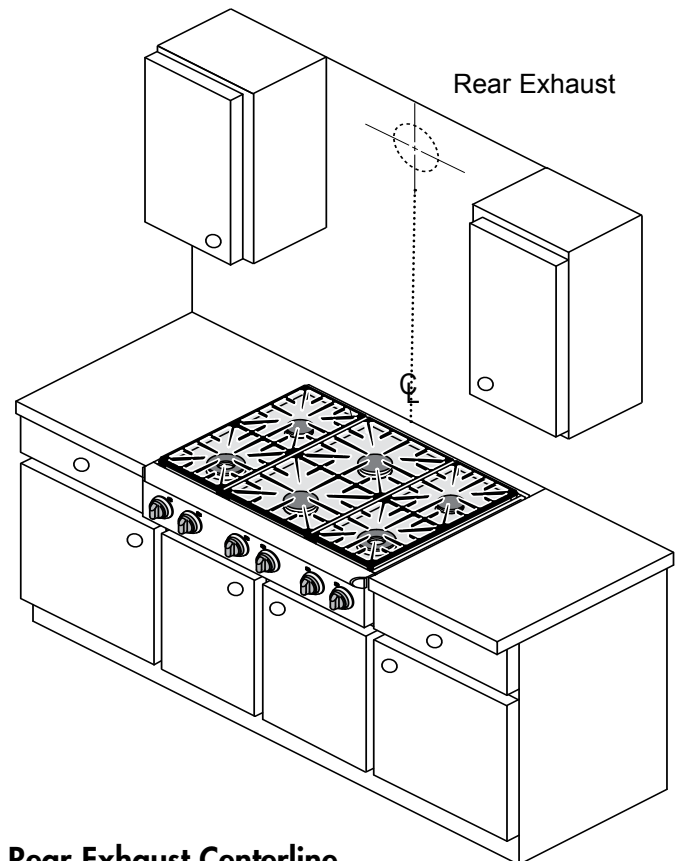
1. Position the hood in the same orientation as it will be when installed. (For example, if it is a top vent installation, set the hood with the vents on top.)
2. Measure the distance from the edge of the hood to the center of the exhaust port.
3. Transfer that measurement to the wall (for a rear vent), or overhead (for top vent). Measure the X and Y axis to find the centerline.
4. Extend the line down 10 inches (25.4 cm).
5. Cut a hole that is 1 inch larger than the duct. Dual exhaust models require two (2) holes.



**RNHP48 Top and Rear Exhaust Centerline**



**Top Exhaust Centerline**



**Rear Exhaust Centerline**

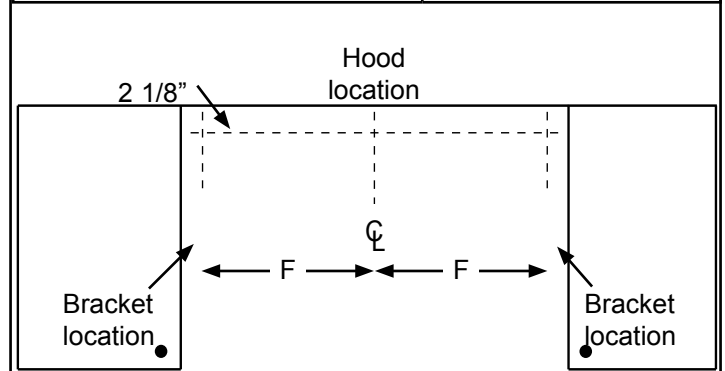
# Installation Instructions

## Installing the Holding Brackets

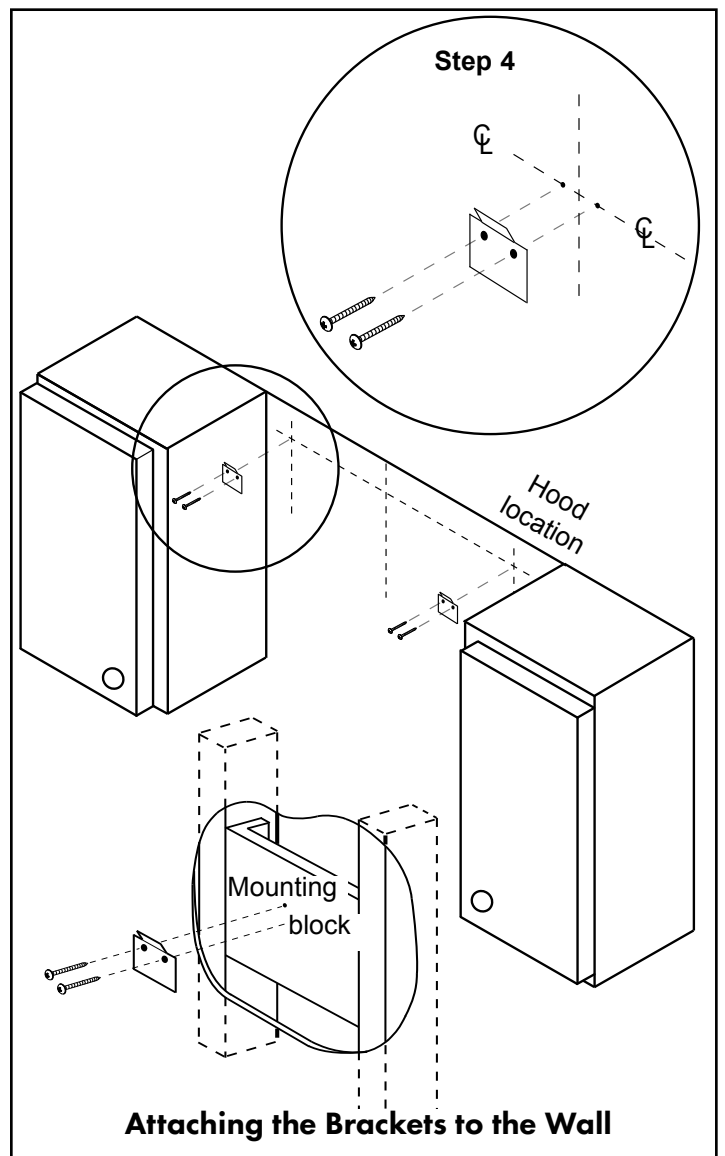
**IMPORTANT:** Placing the holding brackets above, below, or off the centerline will cause alignment problems during final installation.

1. Mark the holding bracket's horizontal centerline 2 1/8 inches (54 cm) below the top of the hood.
2. Next, mark the holding bracket's two vertical centerlines. Refer to the table and image on right.
3. Measure and mark the "F" distance.
4. Lay the bracket against the wall, and align the screwholes with the horizontal centerline.
  - Make sure the anchors and/or screws being used are strong enough to support the hood.
  - Make sure drywall installations are properly reinforced.
5. Mark the two holes in the bracket.
6. Drill those two holes for screws or anchors.
7. Attach the brackets securely to the wall.

Holding Bracket Centerline Distance	
Models	F
RNHP3012, RNHP3018	12 1/2 in (31.75 cm)
RNHP3612, RNHP3618	7 1/8 in (18.1 cm)
RNHP4812, RNHP4818	17 in (43.18 cm)



**Marking the Centerlines and Brackets**



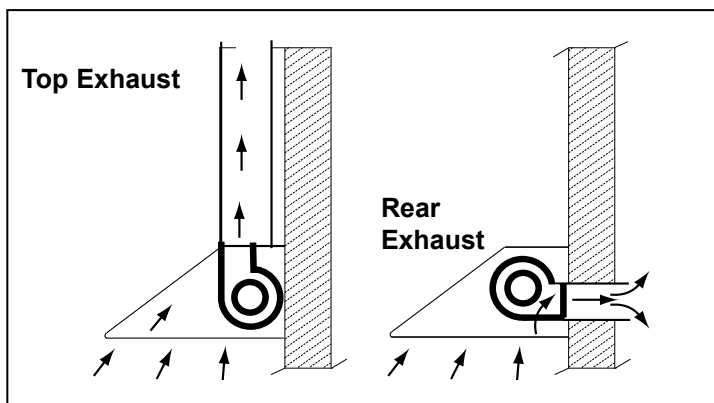
**Attaching the Brackets to the Wall**

# Installation Instructions

## Rotating the Blower(s) for Rear Exhaust

### WARNING

- Do not install the range hood unless the electrical service provided meets the range hood specifications.
- Observe all governing codes and ordinances during installation. Contact your local building department for further information.
- A qualified technician must complete the installation of this built-in appliance. More than one person is required to raise the hood into place. The owner is responsible to make sure the hood is properly installed.



Tools Needed		
5/16" Nut driver	Phillips screwdriver	
Cable ties	AHT10 Transition Kit (optional) plus metal screws and foil tape 10" Ducts and ducting materials	8" Duct and ducting materials

The blowers (also called fans) can be rotated so that the air is vented out the back of the hood.

If the hood will be installed in a **top exhaust** configuration, your hood is already in the default top exhaust position.

If the hood will be installed in a **rear exhaust** configuration, *the blowers must be rotated* so the exhaust vents through the rear of the hood and to the outside.

**This must be done before hanging the hood.**



# Installation Instructions

## Rotating the Blower(s) for Rear Exhaust

Various models illustrate these instructions, so the images presented might not be an exact replication of the hood being installed.

However, the best illustrations were chosen to help communicate the intended information.

### Instructions:

#### Disassembling Parts

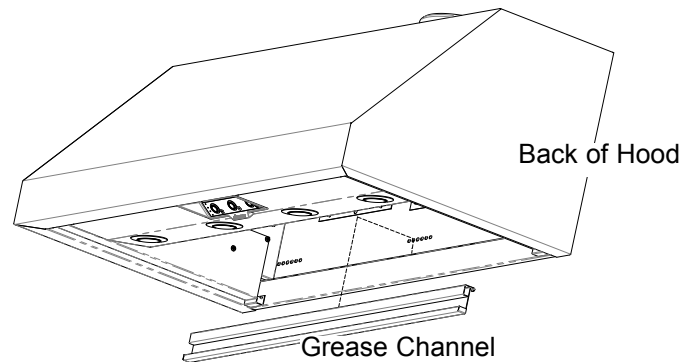
1. Unhook and remove the grease channel.
2. Place the hood assembly on a large, flat surface.  
*Take special care not to scratch the hood.*
3. Remove the duct collar from the top of the unit.  
Save the collar and screws.

#### Removing the Blower(s)

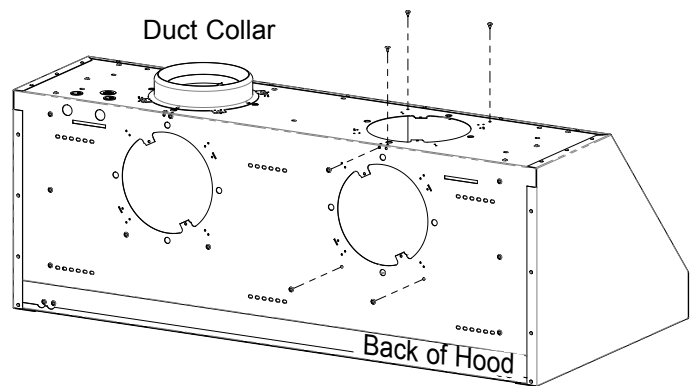
4. Tip the hood up, so that it lays on its *back*.  
You are now facing inside the hood.
5. Find the end of the cable assembly plugged into the *bottom left of the blower*.
6. Squeeze the connector, and unplug it.  
Do not pull directly on the cable assembly.  
Doing so will damage the contacts and wires; always pull from the connectors.
7. Unscrew the cable clamp(s) and remove the hardware that holds the blower and L-bracket.
8. Detach the blower and plate, and place them nearby.

continued...

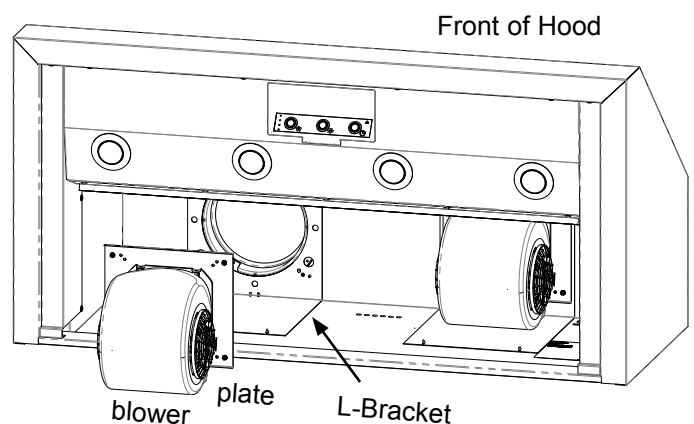
### Step 1



### Steps 2-3



### Steps 4-8



# Installation Instructions

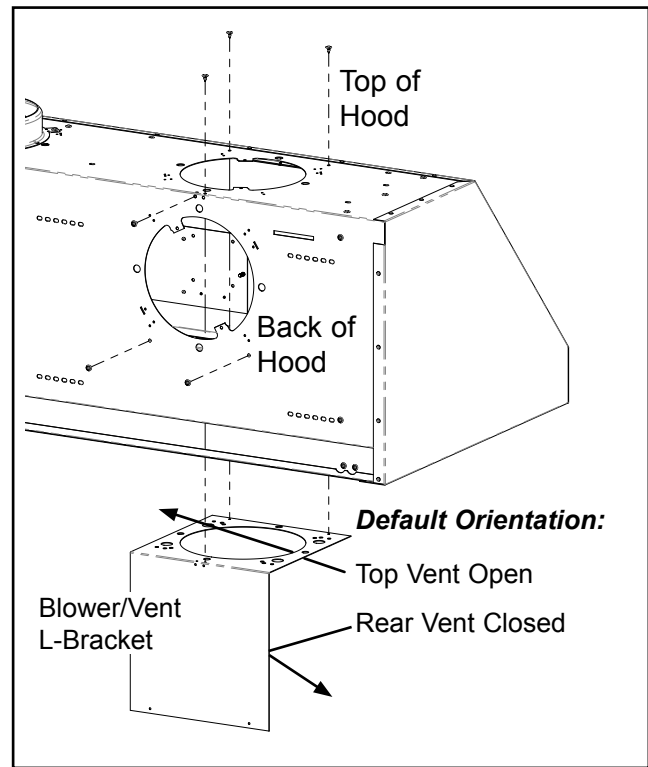
## Rotating the Blower(s) for Rear Exhaust

### Orientating the Blower/Vent L-Brackets

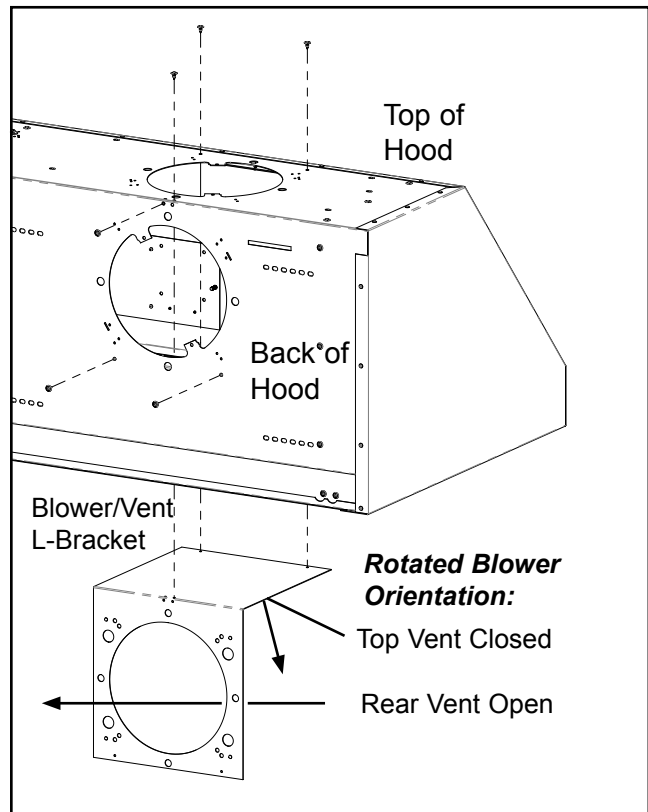
9. Unscrew and remove the L-bracket that is in the default top-venting orientation.
10. Turn and align the L-bracket so the hole is in back of the hood, allowing a rear-venting configuration.

continued...

### Step 9



### Step 10



# Installation Instructions

## Rotating the Blower(s) for Rear Exhaust

### Orientating the Blower(s)

It is imperative that the blower(s) are installed in the correct orientation.

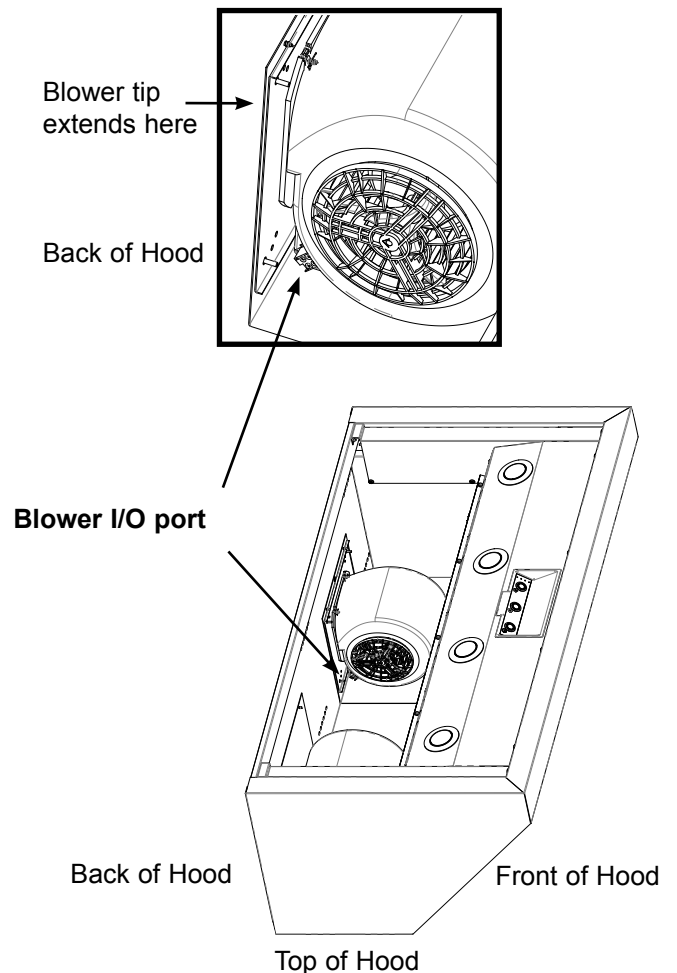
To do this, make sure the *blower I/O port* is against the **back** of the hood. Confirm the placement is correct by comparing it with the figures on the right.

11. Roll the hood on its top so the tip of the blower can extend beyond the exit vent.
12. Insert the blower into the exit vent with this specific placement:  
When standing at the *back of the hood* and looking down at the blower:
  - The blower I/O port must be on the right, and
  - The blower I/O port must be against the back of the hood.

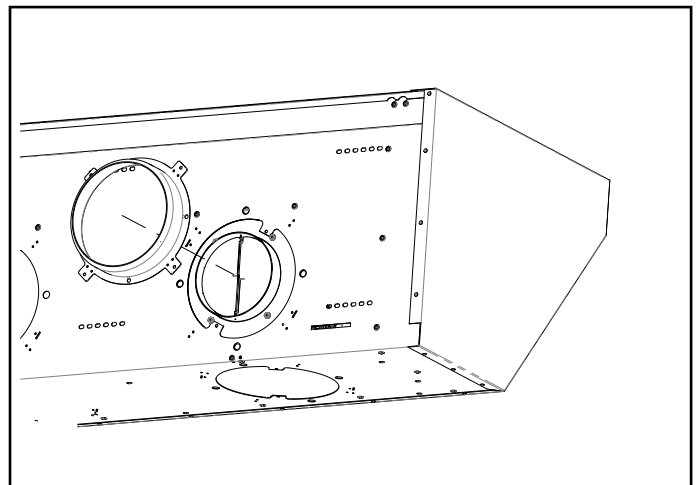
### Finalizing the Rear Vent Setup

13. Refasten the cable clamps and assembly to the hood.
14. Connect the cable assembly to the blower's I/O port.
15. Attach the duct collars to the back of the hood.
16. Place the hood in a safe, upright position.

Steps 11-12



Step 15



# Installation Instructions

## Assembling the Filters

Filters are boxed separately and must be assembled during installation. All knobs and hardware that is needed is included with the filters.

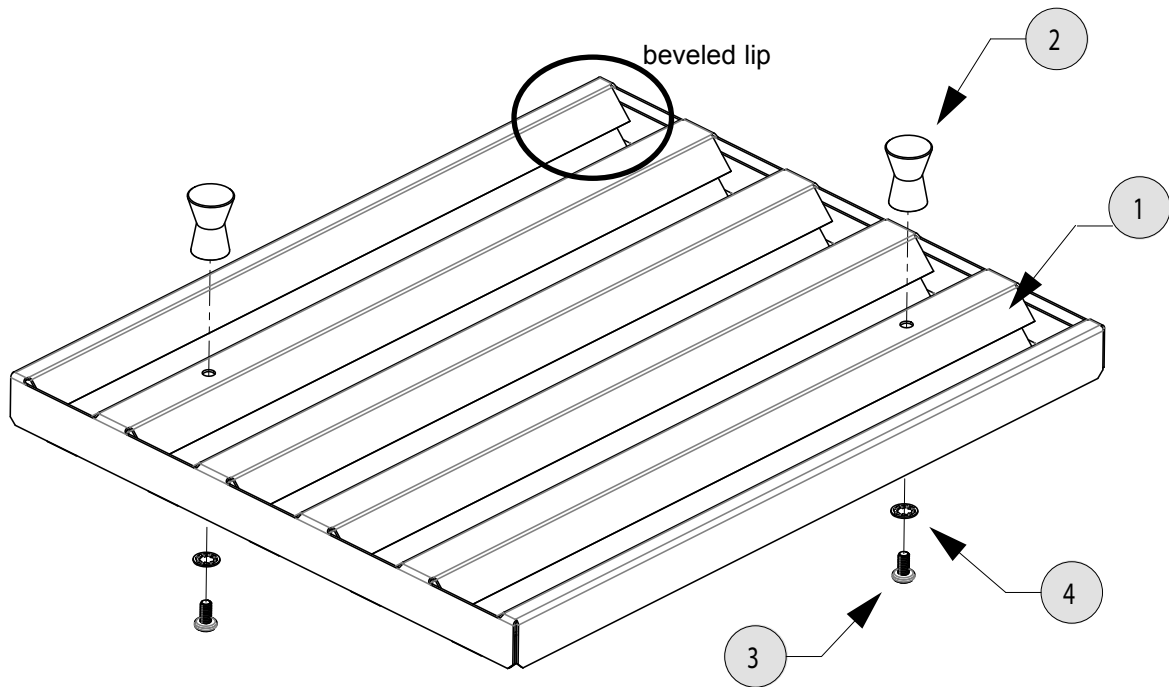
To ensure the correct orientation, make sure the top of the filter lays face-up.

The face of the filter has:

- plastic peel-away coating
- beveled lip on the inside frame
- screw holes up on the ridge (not down in the trough)

## Instructions

1. Remove the plastic coating and confirm that the inside lip is beveled. If this is true, proceed. If not, flip the frame.
2. Align the screw, lock washer, and knob with the filter. Make sure the knob is *on the ridge* and the screw and lock washer are *in the trough*.
3. Twist and secure until tight.
4. Proceed with the Installation Instructions and install the filters after hanging the hood.



**RNHP Baffle-Style Filter**

Parts	
1	Filter (baffle style)
2	Knob
3	Screw M8
4	Lock washer #10

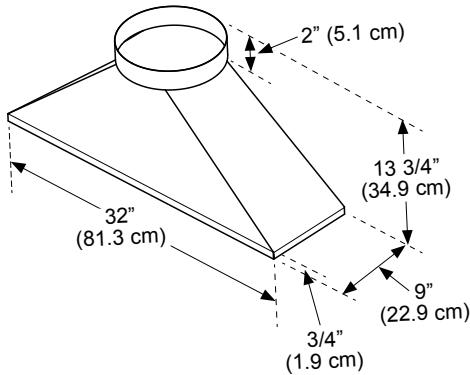
Replacement Part Number	Replacement Part Description
702579	Baffle Filter Kit (1 pc + hardware)
702580	Baffle Filter Kit (2 pc + hardware)

# Installation Instructions

## Using the Dual to Single Transition Kit# AHT10

On dual exhaust models, the two 8-inch duct exhausts can be transitioned into one 10-inch duct.

Assemble the Dacor transition kit # AHT10 *before hanging the hood*. This transition kit fits over the top or rear ventilation exits.

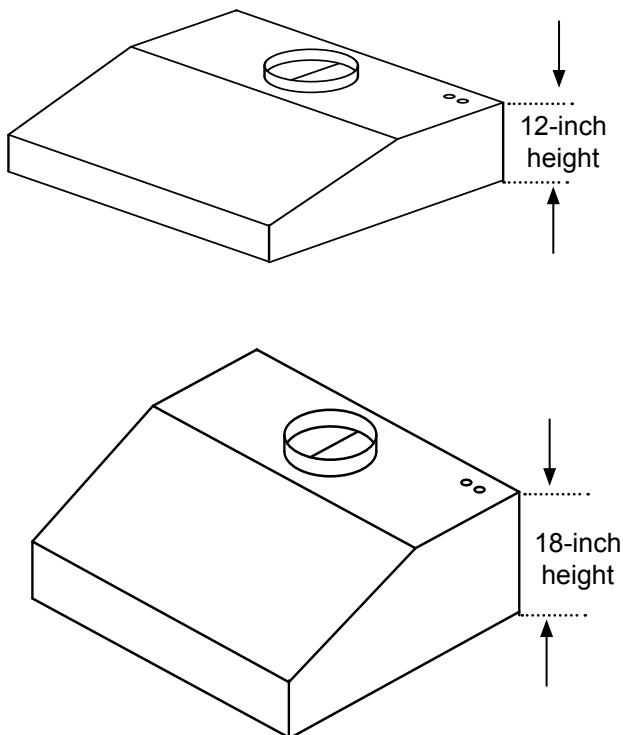


### Preparing the AHT10

1. Create a lip around the transition kit by *bending the bottom edges backward* at right angles to create a 3/4" flange around the base.

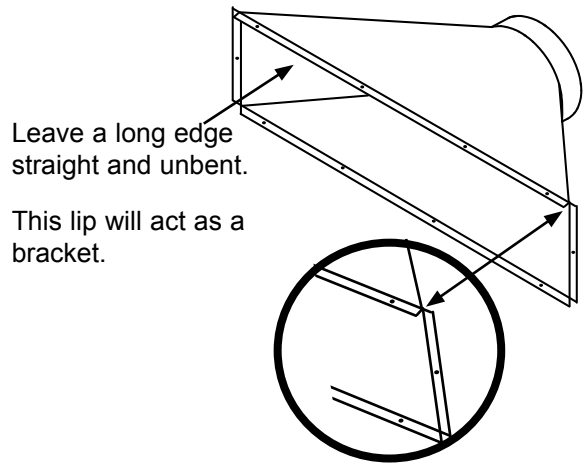
**IMPORTANT:** Rear vent, 12-inch tall hood configurations, *keep one of the long edges straight*.

12-inch tall hoods are models: 3012, 3612, 4812



### Bending the Flange for:

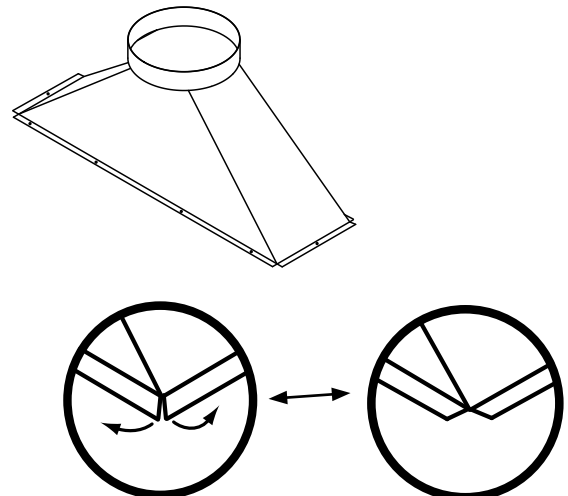
- **Top Vent Configuration:** None. Rear Only
- **Rear Vent Configuration**  
On models 3012, 3612, 4812
- **Notes:** 12" hood height requirement  
*Keep one of the long edges straight!*



One (1) edge remains straight and unbent.

### Bending the Flange for:

- **Top Vent Configuration:** 3012, 3612, 4812  
3018, 3618, 4818
- **Rear Vent Configuration**  
On Models: 3018, 3618, 4818
- **Notes:** 18" hood height requirement
- If your hood model ends in "12" see above



Four (4) corners are bent backward 90 degrees.

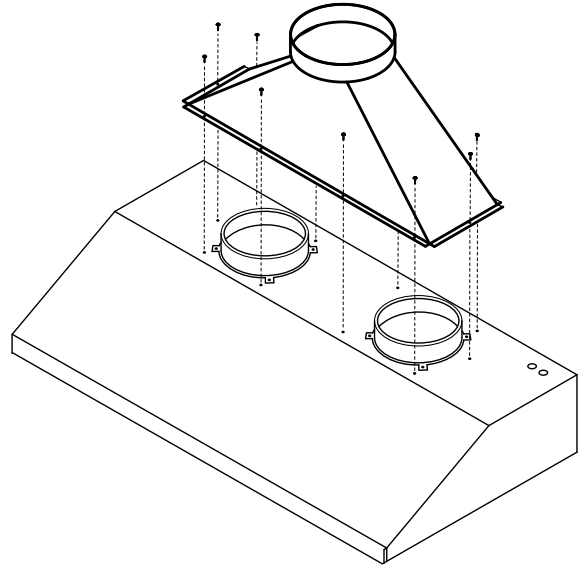
# Installation Instructions

## Installing the AHT10

**Top Vent:** 3012, 3612, 4812  
3018, 3618, 4818

1. Drill holes on the flanges for metal screws. Make sure the holes pierce the top of the hood (see right).
2. Center the transition kit over the duct collars.
3. Fasten the kit into place using sheet metal screws (not included).
4. Seal the base of the transition kit with foil tape or duct tape.

**Top Vent:** 3012, 3612, 4812  
3018, 3618, 4818

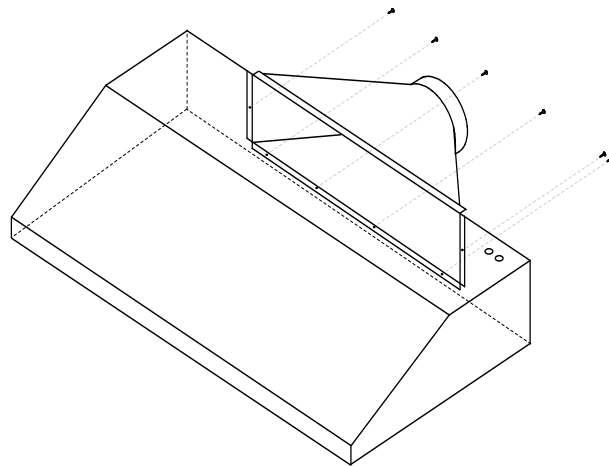


**Rear Vent:** 3018, 3618, 4818

(18-inch height requirement)

1. Drill holes for screws in the flanges. Make sure the holes pierce the rear of the hood (see right).
2. Center the AHT10 transition kit over the duct collars.
3. Fasten the AHT10 into place using sheet metal screws (not included).
4. Seal the base of the AHT10 with foil or duct tape.

**Rear Vent:** 3018, 3618, 4818



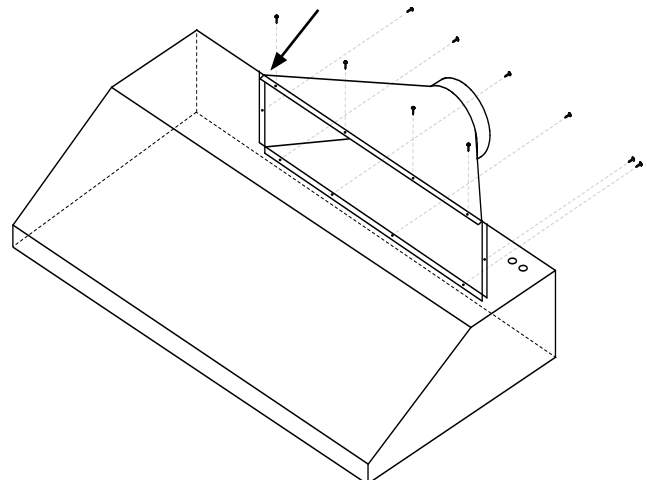
**Rear Vent:** 3012, 3612, 4812

(12-inch height requirement)

1. Drill holes for screws in the flanges. Make sure the holes pierce the top of the hood (see right).
2. Center the AHT10 transition kit over the duct collars.
3. Lay the long edge of the AHT10 over the top of the hood.
4. Fasten the AHT10 into place using sheet metal screws (not included).
5. Seal the base of the AHT10 with foil or duct tape.

**Rear Vent:** 3012, 3612, 4812

Long edge on top of kit is straight and unbent. It overlaps the top of the hood and works like a bracket.



# Installation Instructions

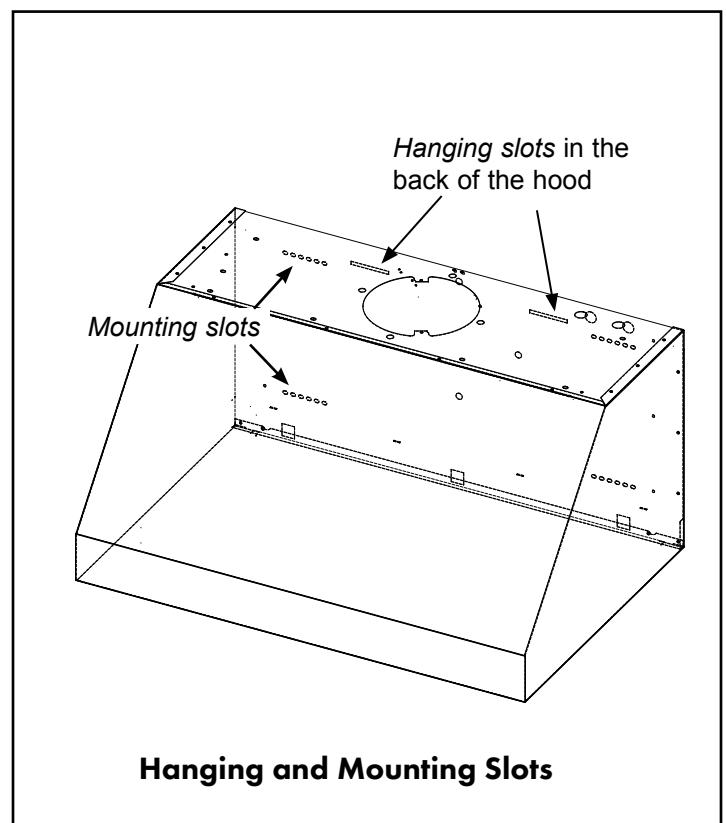
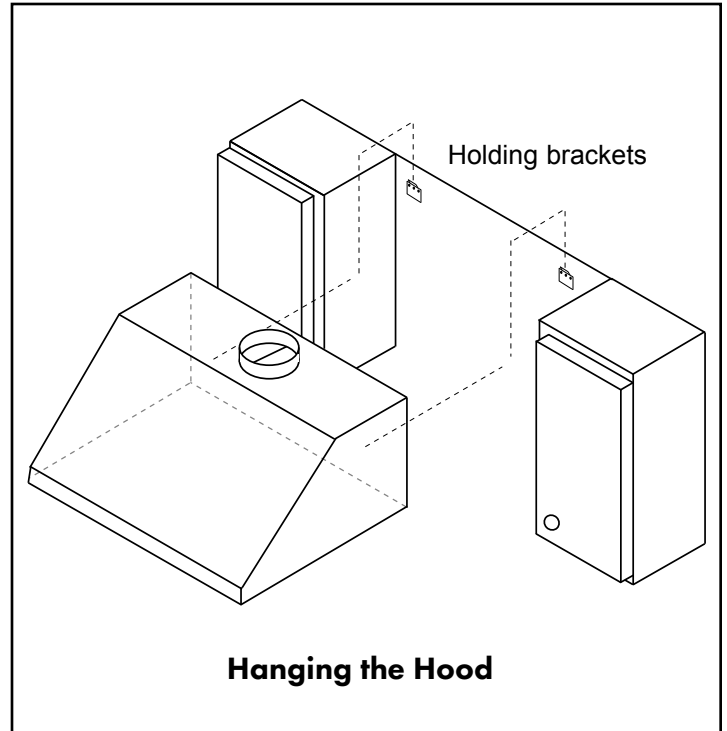
## Hanging the Range Hood

 **WARNING**

*Hanging the range hood requires two people. Do not attempt to lift the hood without assistance.*

When hanging the hood, be careful not to scratch or damage the hood.

1. Remove the plastic film from the hood.  
There are *hanging slots* in the back of the hood a few inches from the top. The holding brackets on the wall engage here and temporarily hold the hood in place.
2. Lift the hood up and catch holding brackets in the *hanging slots* in the back of the hood (see figure Hanging the Hood).
3. Adjust the hood into its final position.
4. Mark the spot by drawing in a mounting hole in the back of the hood (see figure Hanging and Mounting Slots ). This is where a screw will hold the hood to the wall stud or (concrete) anchor.
5. Mark the top of the hood if the configuration calls for the hood to be secured at the top.
6. Remove the hood from the wall.
7. Drill the pilot or anchor holes. If using anchors, insert them into the anchor holes.
8. Reattach the hood to the holding brackets.
9. Adjust the hood into its final position and fasten it into place:  
Insert the fasteners through the mounting slots in the back and top of the hood and into the studs, mounting blocks, or anchors.



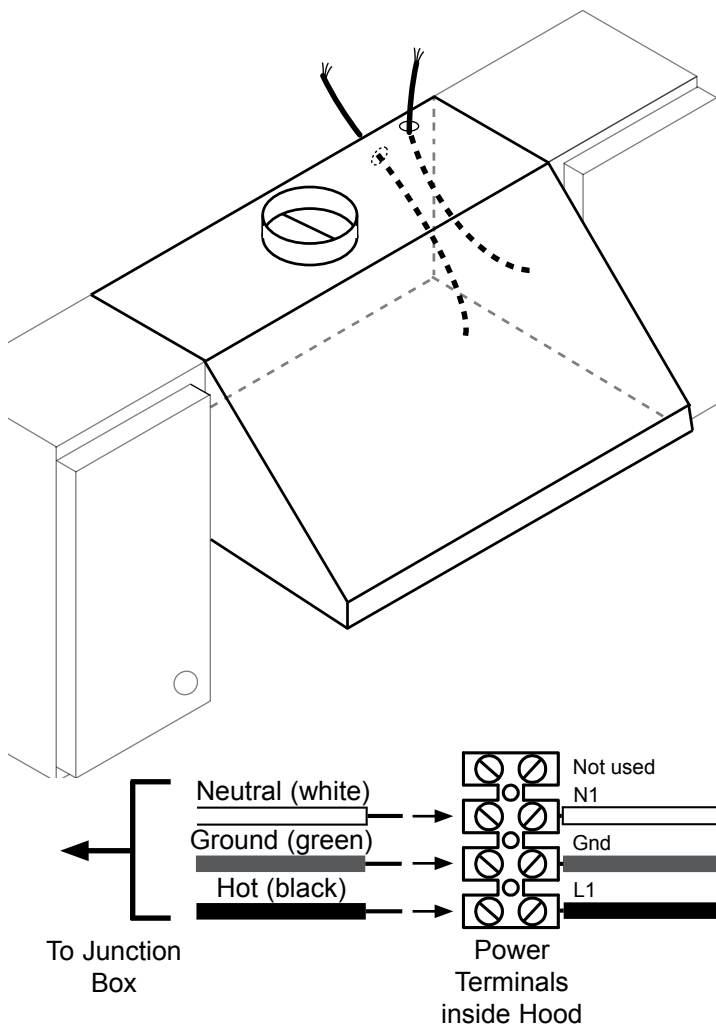
# Installation Instructions

## Hardwiring the Hood

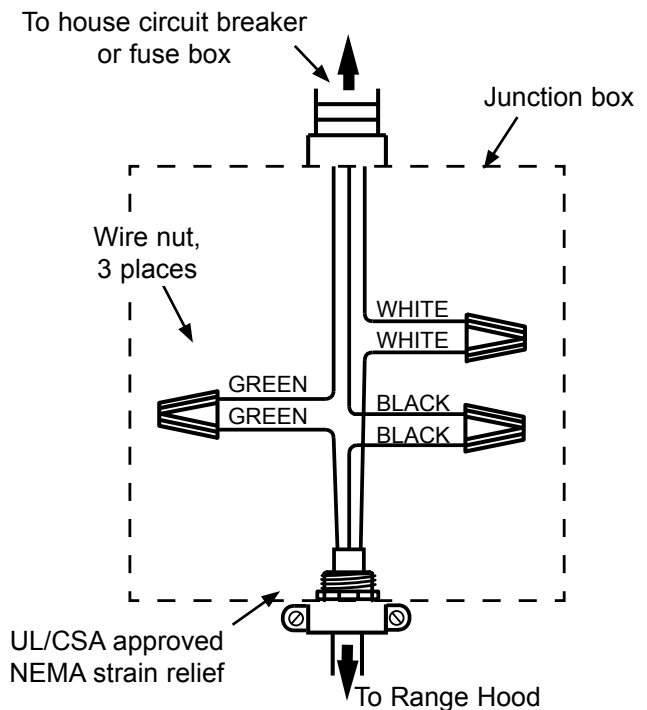
### WARNING

- To avoid electric shock or fire hazard, prior to connecting the electrical wiring to the hood, make sure that power to the hood power supply line is turned off at the fuse box or circuit breaker panel.
- Improper connection of the hood electrical wiring may create an electric shock or fire hazard and may result in damage to the hood's electrical system. See page 7 for specifications.
- Do not ground the hood to the neutral (white) power supply wire. Connect the hood ground wire to a separate, properly grounded wire installed by a licensed electrician.
- Make sure all wire used is capable of handling the total connected load. See page 3.

1. Shut power OFF at the circuit breaker or fuse box.
2. Feed the cable assembly through the hood.
3. Connect the cable assembly to the blower.
4. Connect the hood wiring to an electrical junction box on a dedicated circuit. See Wire Diagrams.



**Control Panel Wire Diagram**



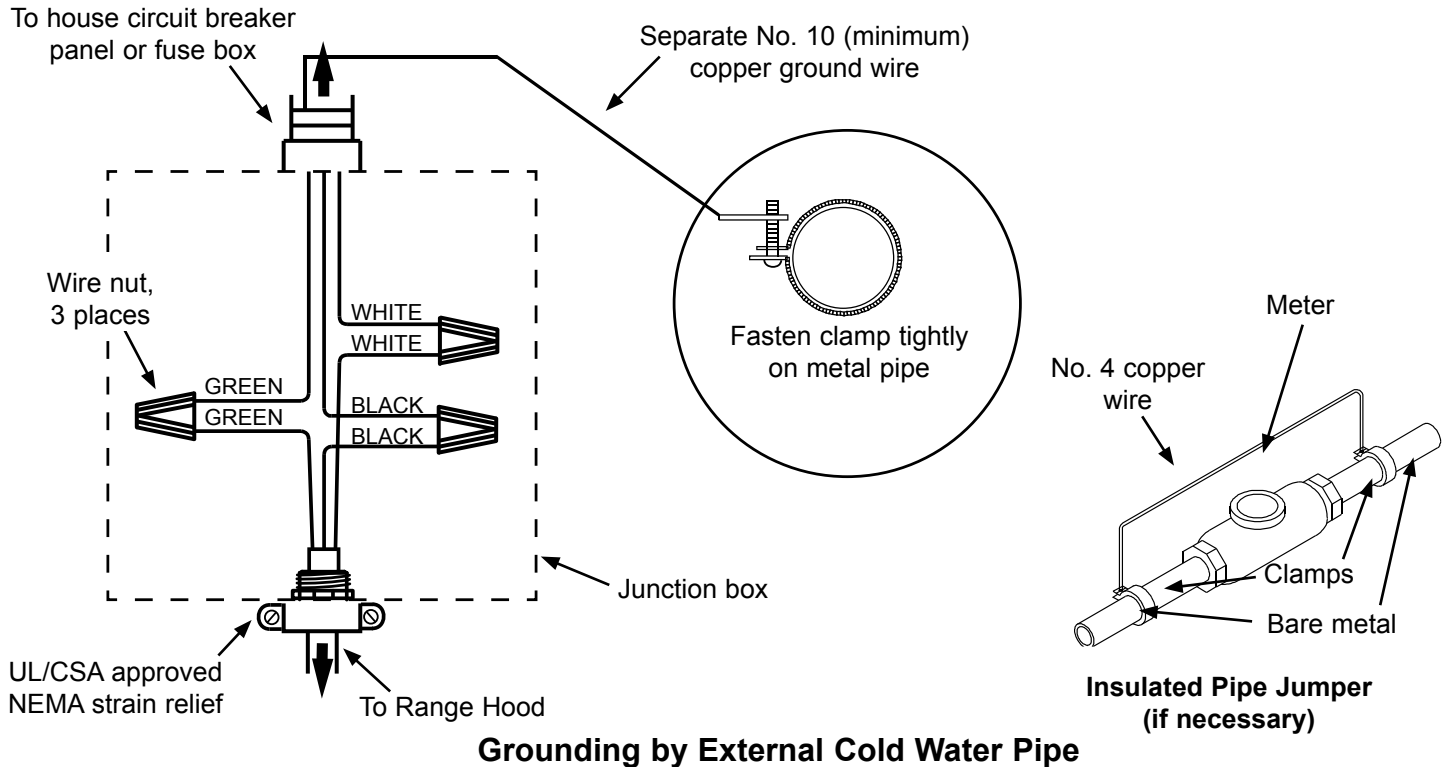
**Junction Box Wire Diagram**



# Installation Instructions

## ⚠ WARNING

- Do not ground the circuit to a gas line.
- Do not ground the circuit to a hot water pipe.
- Water lines that are insulated must be jumped to assure continuity to ground. See below.



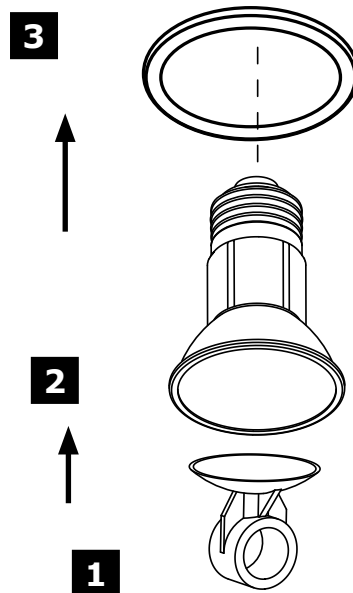
## Inserting Light Bulbs

Make sure dimmable bulbs are used. The electronic board was designed for dimmable lights and using non-dimmable types will cause damage and faulty performance.

Shut the main circuit breaker OFF while inserting new or while changing bulbs. *If an electrical short occurs while the main power circuit is ON, significant damage can occur.*

Follow the diagram to the right for instructions.

1. Attach the suction cup to the lens of a dimmable light bulb. (Both are supplied parts.)  
Make sure the bulb faces are clean so the suction cup can stick.
2. Insert the bulb into one of the light fixtures.
3. Screw it into place and remove the suction cup.
4. Repeat for the remaining light fixtures.
5. Switch the main circuit power ON.

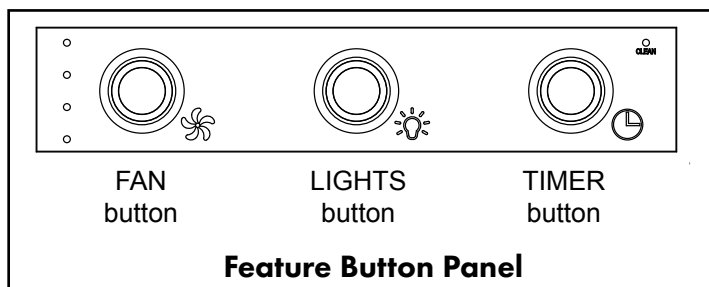


**Inserting Light Bulbs with the Suction Cup Tool**

Replacement Part Number	Replacement Part Description
702666	Dimmable LED Bulb Replacement Kit (1 bulb + 1 suction cup tool)

# Installation Instructions

## Verifying the Setup



1. Make sure the main power switch is OFF. (Refer to the figures at right.)
2. Turn power ON at the circuit panel or fuse box.
3. Then turn the main power switch ON. The control panel will flash several times during startup.
4. Insert the filters gently:

*Be careful not to scratch the back of the grease channel!*

- Raise the front edge into the clip, and press forward.
  - Lift the rear edge up and above the grease channel. *Use care not to scratch the grease channel or other parts of the hood or filters.*
  - Set the rear edge onto the grease channel.
5. Press the **LIGHTS** button. Verify that all the lights illuminate.
  6. Press the **LIGHTS** button again to turn the lights to the low setting.
  7. Press the **LIGHTS** button again to turn the lights off.
  8. Press the **FAN** button once and release. Verify that one light is showing on the fan speed indicator and that the fan is on at low speed.
  9. Slowly touch and release the **FAN** button three times. **Verify** that with each touch, the number of lights rises and that the fan speed increases.
  10. Press the **FAN** button again to turn the fan OFF

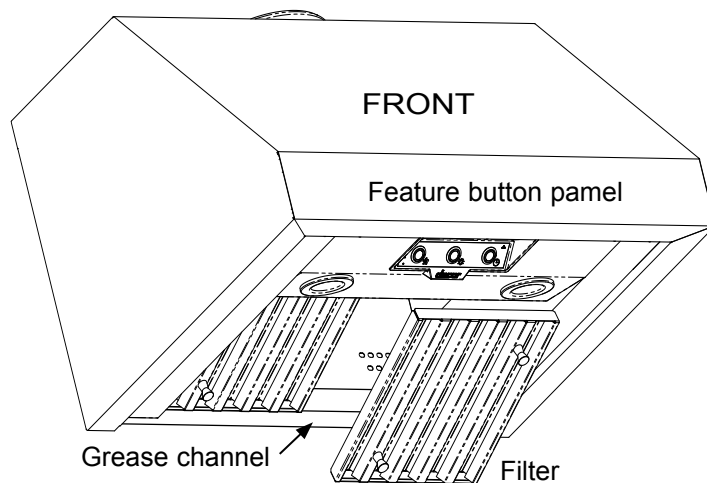
### If the Hood Fails to Function Correctly:

1. Verify that power is supplied to the hood.
  2. Remove the right filter, find main power switch behind the front panel, and confirm the main power switch is ON.
  3. Check the electrical connections to ensure that the installation has been completed correctly.
  4. Repeat the above steps.
- If the hood still does not work, contact Dacor Distinctive Service at (800) 793-0093 ex. 2822. Do not attempt to repair the appliance yourself. Dacor is not responsible for service required to correct a faulty installation.

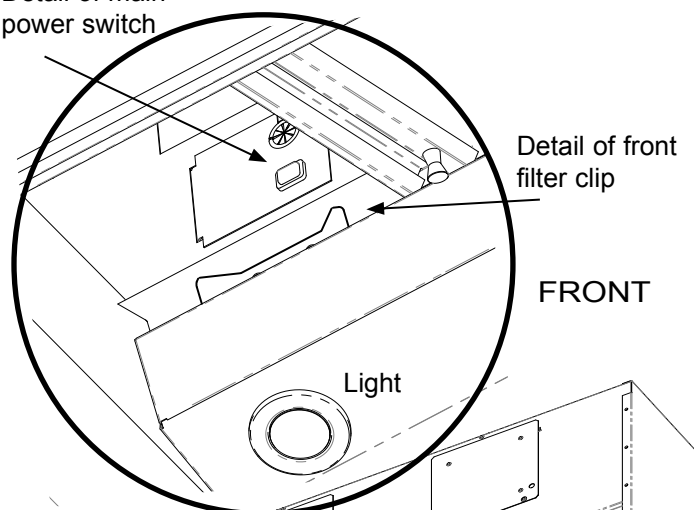


OFF ON

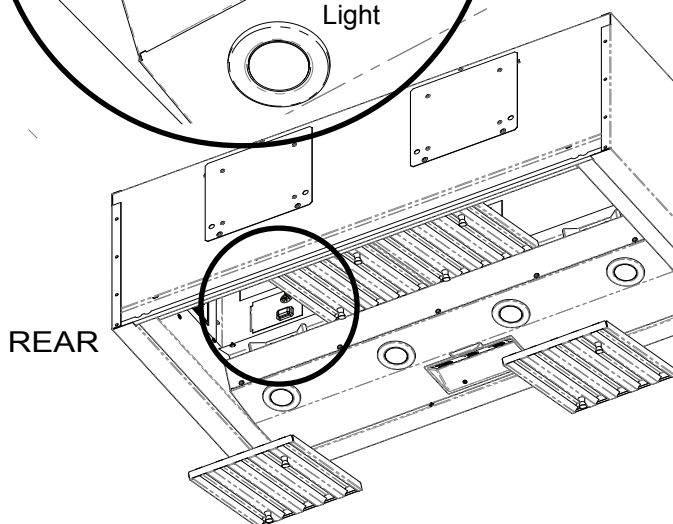
**Main Power Switch**



Detail of main power switch



FRONT



**FRONT** **Location of Main Power Switch**

# Installation Instructions

## The Installation Checklist



### WARNING

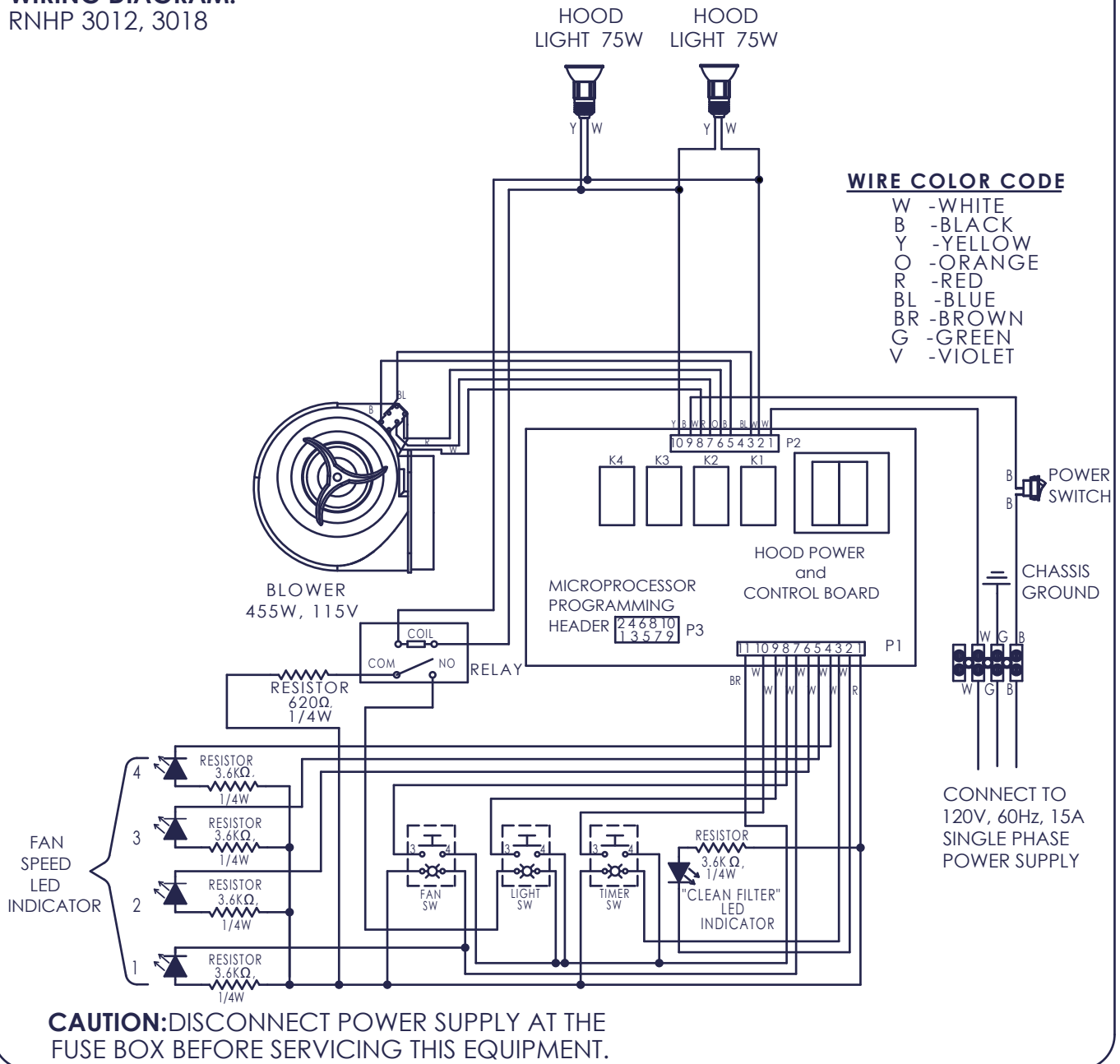
- To ensure a safe and correct installation, the following checklist should be completed by the installer to ensure that no part of the installation has been overlooked.
- Proper installation is the responsibility of the homeowner. The importance of proper installation of your Dacor range hood cannot be overemphasized.

- Is the hood properly attached to the wall according to the instructions on page 13 and 21?
- Is the ductwork completely installed? Are all joints attached with sheet metal screws and wrapped with foil tape? See page 19.
- Is the range hood wired and grounded according to these instructions and in accordance with all applicable electric codes? See page 7 and 22.
- Are the filters properly assembled according to page 18?
- Has setup been verified?
- Have any problems been noted on the warranty card or during the on-line warranty activation? Has the warranty been activated on-line or the warranty card filled out completely and mailed?

# Wiring Diagrams

RNHP3012, RNHP3018

**WIRING DIAGRAM:**  
RNHP 3012, 3018

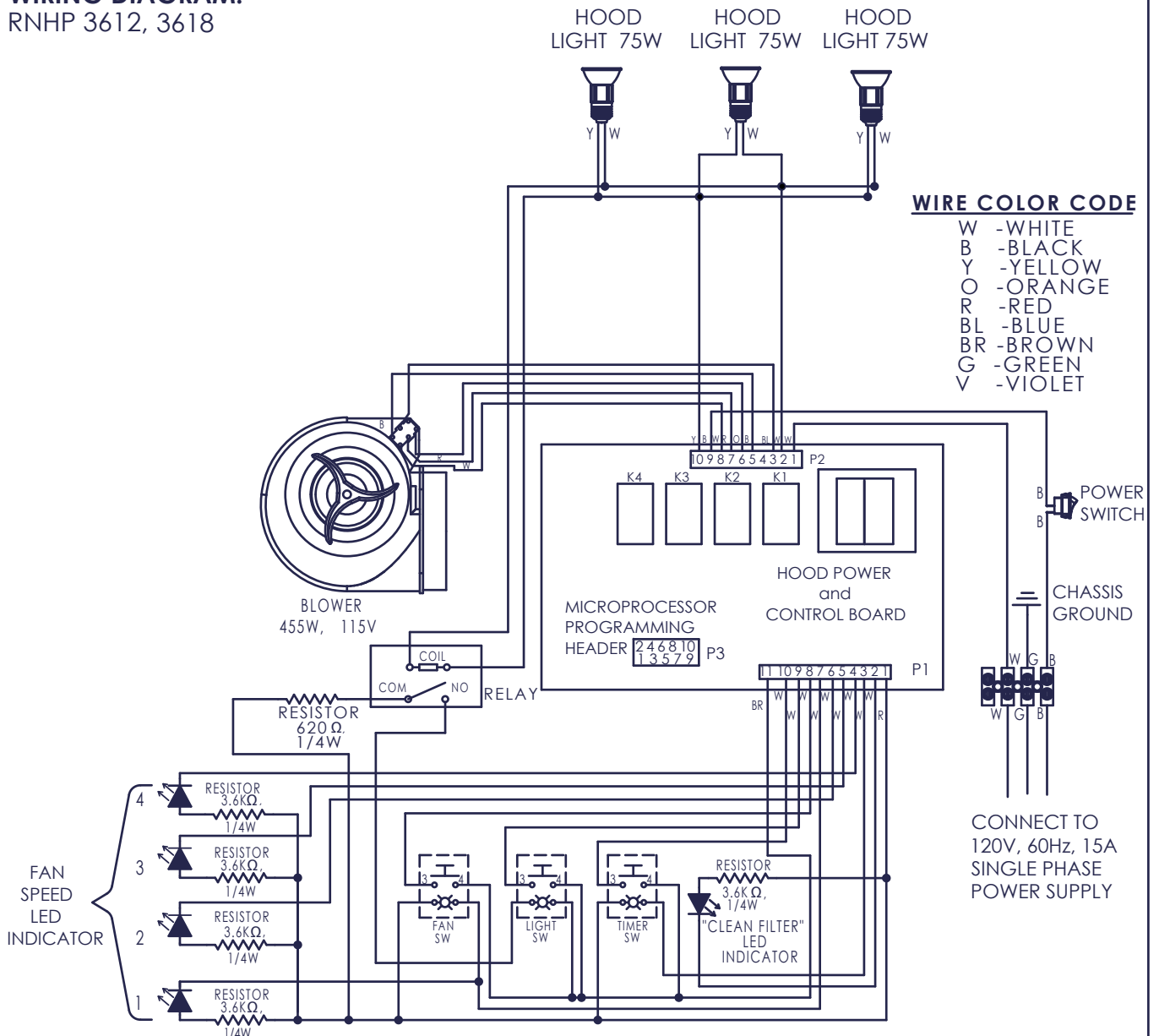


**Wiring Diagram: 1-Blower, 2-Light Models**

# Wiring Diagrams

RNHP3612, RNHP3618

**WIRING DIAGRAM:**  
RNHP 3612, 3618



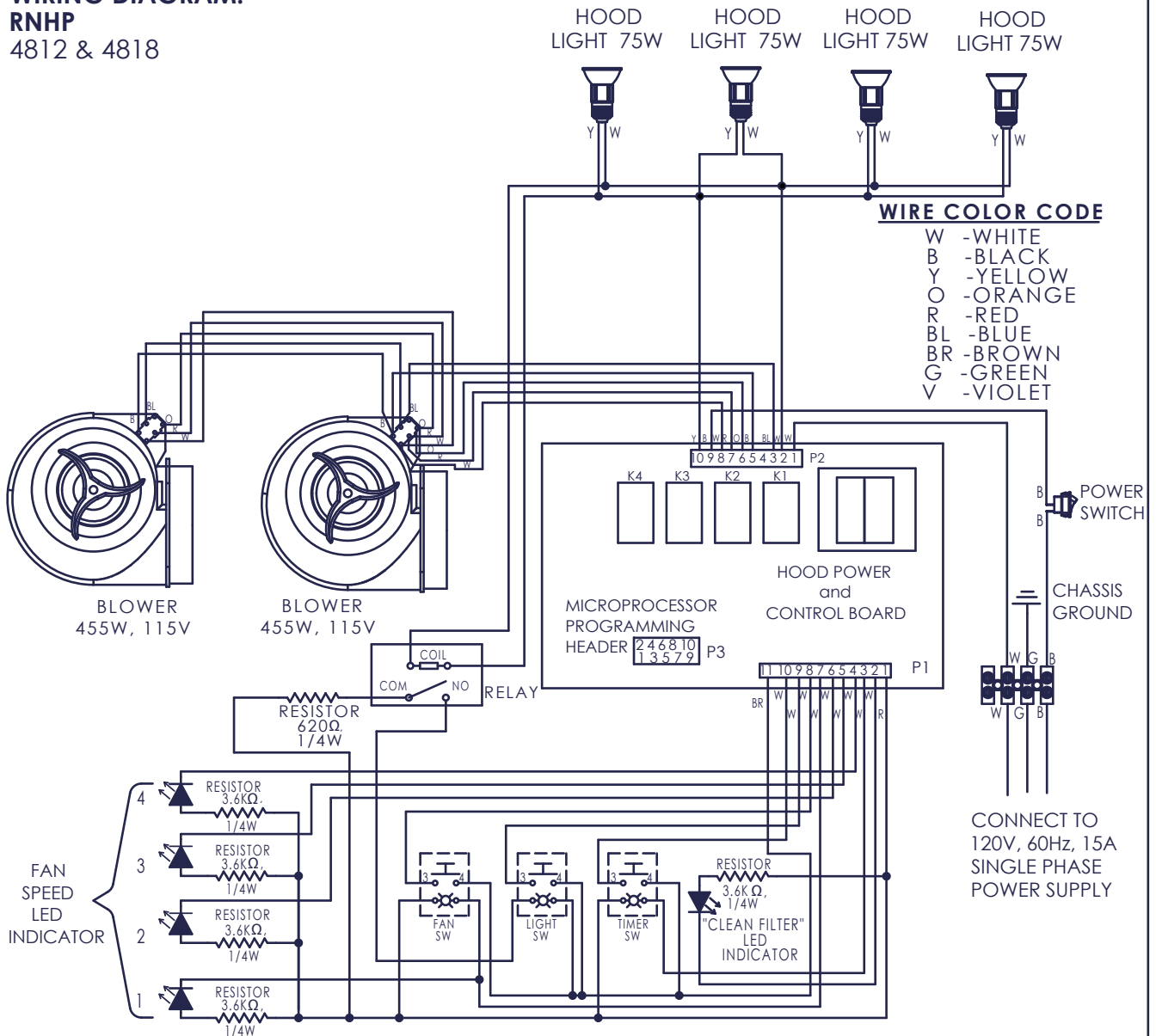
**CAUTION:** DISCONNECT POWER SUPPLY AT THE FUSE BOX BEFORE SERVICING THIS EQUIPMENT.

**Wiring Diagram: 1-Blower, 3-Light Models**

# Wiring Diagrams

RNHP4812, RNHP4818

**WIRING DIAGRAM:**  
**RNHP**  
 4812 & 4818



**CAUTION:** DISCONNECT POWER SUPPLY AT THE FUSE BOX BEFORE SERVICING THIS EQUIPMENT.

**Wiring Diagram: 2-Blower, 4-Light Models**

# Notes





***dacor***  
The Life of the Kitchen.®

