



SUBMITTAL SHEET

MODEL 111 • 1/3 H.P.

- Space saving compact design!
- High-speed 1900 r.p.m. permanent magnet motor produces more power per pound.
- Corrosion resistant grinding components.
- Fast and easy mount system provides a no hassle installation.
- Removable splash guard is included.
- Safe for properly sized septic tanks.
- Longest warranties in the industry demonstrate commitment to quality.

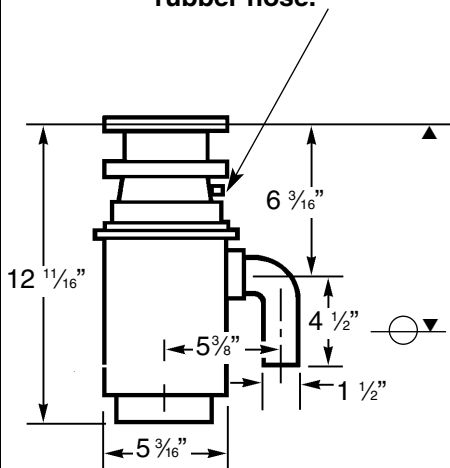


Two Year In-Home Service Warranty
(see below).



DIMENSIONS

Knock-out for dishwasher drain connector sized for 7/8" I.D. rubber hose.



Measurements are in inches

SPECIFICATIONS

| | |
|------------------------|--|
| Motor Horsepower | 1/3 H.P. |
| Motor Speed R.P.M. | 1900 |
| Voltage | 115 |
| Hz | 60 |
| Current-Amps | 4.0 |
| Motor Type | Permanent Magnet |
| Sink Flange | Stainless Steel & Celcon |
| Stopper | Positive Seal |
| Splash Guard | Removable |
| Waste Elbow | ABS |
| Feed | Continuous |
| Grind Ring | Heavy Gauge Galvanized Steel |
| Swivel Impellers | Stainless Steel |
| Turntable | Galvanized Steel |
| Hopper | Glass Filled Nylon |
| Grinding Chamber | Corrosion Proof Glass Filled Polyester |
| Bearings | Permanently Lubricated; Sleeve Type |
| Overload Protector | Manual Reset Type |
| Shipping Weight (lbs.) | 8.1 |
| Pallet Quantity | 196 |

Due to continued product improvement, system configurations and specifications may change without notice.

Waste King® Warranty

Any Waste King® Model 111 less than two years old that develops a material or mechanical defect will be repaired or replaced in your home free of charge.



4240 E. La Palma Avenue
Anaheim, California 92807
(800) 854-3229



SUBMITTAL SHEET

MODEL 1001 • 1/2 H.P.

- Space saving compact design!
- High-speed 2600 r.p.m. permanent magnet motor produces more power per pound.
- Corrosion resistant grinding components.
- Fast and easy mount system provides a no hassle installation.
- Removable splash guard is included.
- Safe for properly sized septic tanks.
- Longest warranties in the industry demonstrate commitment to quality.



SEPTIC SAFE

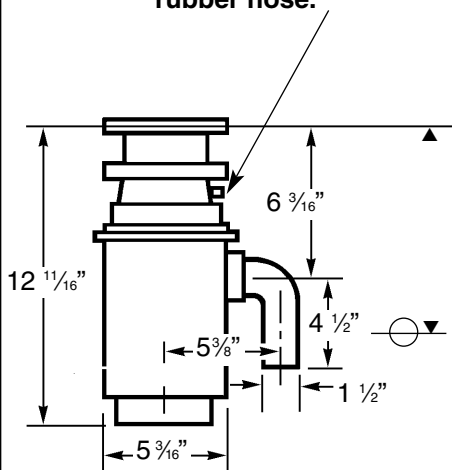


Two Year In-Home Service Warranty
(see below).



DIMENSIONS

Knock-out for dishwasher drain connector sized for 7/8" I.D. rubber hose.



Measurements are in inches

SPECIFICATIONS

| | |
|------------------------|--|
| Motor Horsepower | 1/2 H.P. |
| Motor Speed R.P.M. | 2600 |
| Voltage | 115 |
| Hz | 60 |
| Current-Amps | 4.5 |
| Motor Type | Permanent Magnet |
| Sink Flange | Stainless Steel & Celcon |
| Stopper | Positive Seal |
| Splash Guard | Removable |
| Waste Elbow | ABS |
| Feed | Continuous |
| Grind Ring | Heavy Gauge Galvanized Steel |
| Swivel Impellers | Stainless Steel |
| Turntable | Galvanized Steel |
| Hopper | Glass Filled Nylon |
| Grinding Chamber | Corrosion Proof Glass Filled Polyester |
| Bearings | Permanently Lubricated; Sleeve Type |
| Overload Protector | Manual Reset Type |
| Shipping Weight (lbs.) | 8.1 |
| Pallet Quantity | 196 |

Waste King® Warranty

Any Waste King® Model 1001 less than two years old that develops a material or mechanical defect will be repaired or replaced in your home free of charge.

Due to continued product improvement, system configurations and specifications may change without notice.



4240 E. La Palma Avenue
Anaheim, California 92807
(800) 854-3229



SUBMITTAL SHEET

MODEL SS2600 • 1/2 H.P.

- Space saving compact design!
- High-speed 2600 r.p.m. permanent magnet motor produces more power per pound.
- Stainless steel grinding components.
- Fast and easy mount system provides a no hassle installation.
- Removable splash guard is included.
- Safe for properly sized septic tanks.
- Longest warranties in the industry demonstrates commitment to quality.



SEPTIC SAFE

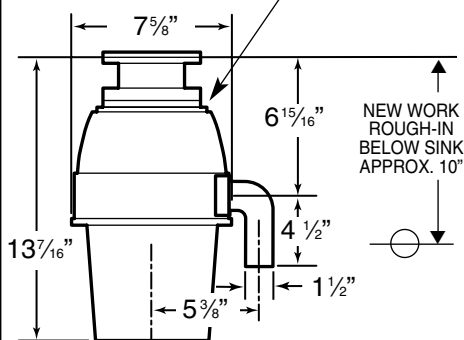


Five Year In-Home Service and LIFETIME Corrosion Warranty (see below).



DIMENSIONS

Knock-out for dishwasher drain connector sized for 7/8" I.D. rubber hose.



Measurements are in inches

SPECIFICATIONS

| | |
|------------------------|--|
| Motor Horsepower | 1/2 H.P. |
| Motor Speed R.P.M. | 2600 |
| Voltage | 115 |
| Hz | 60 |
| Current-Amps | 4.5 |
| Motor Type | Permanent Magnet |
| Sink Flange | Stainless Steel & Celcon |
| Stopper | Positive Seal |
| Splash Guard | Removable |
| Waste Elbow | ABS |
| Feed | Continuous |
| Grind Ring | Stainless Steel |
| Swivel Impellers | Stainless Steel |
| Turntable | Stainless Steel |
| Hopper | Glass Filled Nylon |
| Grinding Chamber | Corrosion Proof Glass Filled Polyester |
| Bearings | Permanently Lubricated; Sleeve Type |
| Overload Protector | Manual Reset Type |
| Sound Dampening Shell | Yes |
| Shipping Weight (lbs.) | 9.5 |
| Pallet Quantity | 100 |

Waste King® Warranty

Any Waste King® Model SS2600 less than 5 years old that develops a material or mechanical defect will be repaired or replaced, in your home free of charge.

LIFETIME WARRANTY AGAINST CORROSION.

Any Waste King® Model SS2600 that fails to operate because of corrosion will be repaired or replaced free of charge to the original purchaser. Labor not included.

Due to continued product improvement, system configurations and specifications may change without notice.



4240 E. La Palma Avenue
Anaheim, California 92807
(800) 854-3229

Waste King *Gourmet*
by Anaheim Manufacturing *series*

SUBMITTAL SHEET
MODEL SS3100 • 1/2 H.P.
HEAVY DUTY

- High-speed 2600 r.p.m. permanent magnet motor produces more power per pound.
- Stainless steel grinding components.
- Fast and easy mount system provides a no hassle installation.
- Power cord included.
- Removable splash guard is included.
- Safe for properly sized septic tanks.
- Longest warranties in the industry demonstrates commitment to quality.

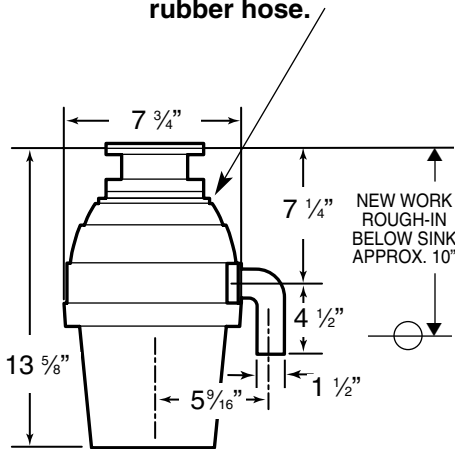


Eight Year In-Home Service and LIFETIME Corrosion Warranty (see below).



DIMENSIONS

Knock-out for dishwasher drain connector sized for 7/8" I.D. rubber hose.



Measurements are in inches

Waste King® Warranty

Any Waste King® Model SS3100 less than 8 years old that develops a material or mechanical defect will be repaired or replaced, in your home free of charge.

LIFETIME WARRANTY AGAINST CORROSION.

Any Waste King® Model SS3100 that fails to operate because of corrosion will be repaired or replaced free of charge to the original purchaser. Labor not included.

SPECIFICATIONS

| | |
|------------------------|--|
| Motor Horsepower | 1/2 H.P. |
| Motor Speed R.P.M. | 2600 |
| Voltage | 115 |
| Hz | 60 |
| Current-Amps | 4.5 |
| Motor Type | Permanent Magnet |
| Power Cord | Attached |
| Stopper | Positive Seal |
| Sink Flange | Stainless Steel & Celcon |
| Splash Guard | Removable |
| Waste Elbow | ABS |
| Feed | Continuous |
| Grind Ring | Stainless Steel |
| Swivel Impellers | Stainless Steel |
| Turntable | Stainless Steel |
| Hopper | Glass Filled Nylon |
| Grinding Chamber | Corrosion Proof Glass Filled Polyester |
| Bearings | Permanently Lubricated; Sleeve Type |
| Overload Protector | Manual Reset Type |
| Sound Shell | Yes - Foam Insulated |
| Shipping Weight (lbs.) | 10.7 |
| Pallet Quantity | 100 |

Due to continued product improvement, system configurations and specifications may change without notice.

Waste King *Gourmet*
by Anaheim Manufacturing *series*

4240 E. La Palma Avenue
Anaheim, California 92807
(800) 854-3229



SUBMITTAL SHEET

MODEL SS3300 • 3/4 H.P.

- High-speed 2700 r.p.m. permanent magnet motor produces more power per pound.
- Stainless steel grinding components.
- Fast and easy mount system provides a no hassle installation.
- Power cord included.
- Removable splash guard is included.
- Safe for properly sized septic tanks.
- Sound insulated for quiet operation.
- Longest warranties in the industry demonstrates commitment to quality.

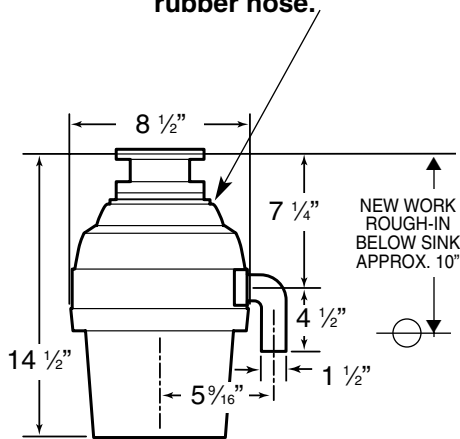


Ten Year In-Home and LIFETIME Corrosion Warranty (see below).



DIMENSIONS

Knock-out for dishwasher drain connector sized for 7/8" I.D. rubber hose.



Measurements are in inches

SPECIFICATIONS

| | |
|------------------------|--|
| Motor Horsepower | 3/4 H.P. |
| Motor Speed R.P.M. | 2700 |
| Voltage | 115 |
| Hz | 60 |
| Current-Amps | 6.0 |
| Motor Type | Permanent Magnet |
| Power Cord | Attached |
| Stopper | Positive Seal |
| Sink Flange | Stainless Steel & Celcon |
| Splash Guard | Removable |
| Waste Elbow | ABS |
| Feed | Continuous |
| Grind Ring | Stainless Steel |
| Swivel Impellers | Cast Stainless Steel |
| Turntable | Stainless Steel |
| Hopper | Glass Filled Nylon |
| Grinding Chamber | Corrosion Proof Glass Filled Polyester |
| Bearings | Permanently Lubricated; Sleeve Type |
| Overload Protector | Manual Reset Type |
| Sound Dampening Shell | Yes - Foam Insulated |
| Shipping Weight (lbs.) | 13 |
| Pallet Quantity | 100 |

Due to continued product improvement, system configurations and specifications may change without notice.

Waste King® Warranty

Any Waste King® Model SS3300 less than 10 years old that develops a material or mechanical defect will be repaired or replaced, in your home free of charge.

LIFETIME WARRANTY AGAINST CORROSION.

Any Waste King® Model SS3300 that fails to operate because of corrosion will be repaired or replaced free of charge to the original purchaser. Labor not included.



4240 E. La Palma Avenue
Anaheim, California 92807
(800) 854-3229

- High-speed 2800 r.p.m. permanent magnet motor produces more power per pound.
- Stainless steel grinding components.
- Fast and easy mount system provides a no hassle installation.
- Power cord included.
- Removable splash guard is included.
- Safe for properly sized septic tanks.
- Sound insulated for quiet operation.
- Longest warranties in the industry demonstrates commitment to quality.

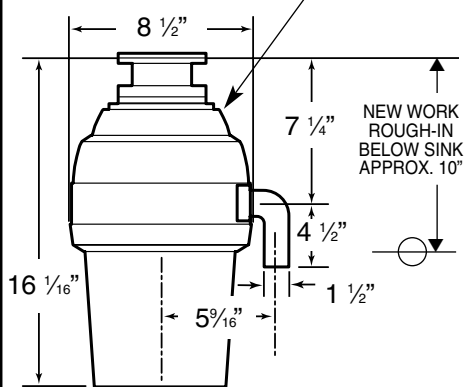


Limited LIFETIME In-Home Service Warranty
(see below).



DIMENSIONS

Knock-out for dishwasher drain connector sized for 7/8" I.D. rubber hose.



Measurements are in inches

SPECIFICATIONS

| | |
|------------------------|--|
| Motor Horsepower | 1 H.P. |
| Motor Speed R.P.M. | 2800 |
| Voltage | 115 |
| Hz | 60 |
| Current-Amps | 7.0 |
| Motor Type | Permanent Magnet |
| Power Cord | Attached |
| Stopper | Positive Seal |
| Sink Flange | Stainless Steel & Celcon |
| Splash Guard | Removable |
| Waste Elbow | ABS |
| Feed | Continuous |
| Grind Ring | Stainless Steel |
| Swivel Impellers | Cast Stainless Steel |
| Turntable | Stainless Steel |
| Hopper | Glass Filled Nylon |
| Grinding Chamber | Corrosion Proof Glass Filled Polyester |
| Bearings | Permanently Lubricated; Sleeve Type |
| Overload Protector | Manual Reset Type |
| Sound Dampening Shell | Yes - Foam Insulated |
| Shipping Weight (lbs.) | 15.4 |
| Pallet Quantity | 100 |

Due to continued product improvement, system configurations and specifications may change without notice.

Waste King® Warranty

Any Waste King® Model SS8000 that fails to operate during the lifetime of the original purchaser, and limited to the original purchaser, will be repaired or replaced, in your home free of charge.

Waste King *Gourmet*
by Anaheim Manufacturing *series*

SUBMITTAL SHEET
MODEL SS5000TC • 3/4 H.P.
BATCHFEED DISPOSER

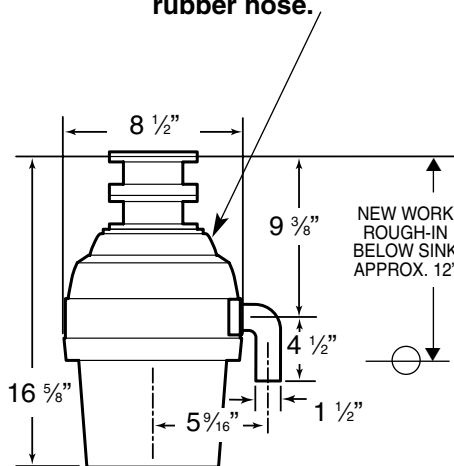
- Batchfeed operation...No wall switch required!
- High-speed 2700 r.p.m. permanent magnet motor produces more power per pound.
- Stainless steel grinding components.
- Fast and easy mount system provides a no hassle installation.
- Power cord included.
- Safe for properly sized septic tanks.
- Longest warranties in the industry demonstrates commitment to quality.

Ten Year In-Home Service Warranty
(see below).



DIMENSIONS

Knock-out for dishwasher drain connector sized for 7/8" I.D. rubber hose.



Measurements are in inches

SPECIFICATIONS

| | |
|------------------------|--|
| Motor Horsepower | 3/4 H.P. |
| Motor Speed R.P.M. | 2700 |
| Voltage | 115 |
| Hz | 60 |
| Current-Amps | 6.0 |
| Motor Type | Permanent Magnet |
| Power Cord | Attached |
| Sink Flange | Stainless Steel & Celcon |
| Stopper/Actuator | 3 Position |
| Waste Elbow | ABS |
| Feed | Batch Loading |
| Grind Ring | Stainless Steel |
| Swivel Impellers | Cast Stainless Steel |
| Turntable | Stainless Steel |
| Hopper | Glass Filled Nylon |
| Grinding Chamber | Corrosion Proof Glass Filled Polyester |
| Bearings | Permanently Lubricated; Sleeve Type |
| Overload Protector | Manual Reset Type |
| Sound Dampening Shell | Yes - Foam Insulated |
| Shipping Weight (lbs.) | 14 |
| Pallet Quantity | 75 |

Waste King® Warranty

Any Waste King® Model SS5000TC less than ten years old that develops a material or mechanical defect will be repaired or replaced, in your home free of charge .

Due to continued product improvement, system configurations and specifications may change without notice.

Waste King *Gourmet*
by Anaheim Manufacturing *series*

4240 E. La Palma Avenue
Anaheim, California 92807
(800) 854-3229



SUBMITTAL SHEET

MODEL SS8000TC • 1 H.P.

- Top control/batch feed operation...No wall switch!
- High-speed 2800 r.p.m. permanent magnet motor produces more power per pound.
- Stainless steel, rust free grinding components.
- Fast and easy mount system provides a no hassle installation.
- Power cord included.
- Sound insulated for quiet operation.
- Safe for properly sized septic tanks.
- Longest warranties in the industry demonstrates commitment to quality.

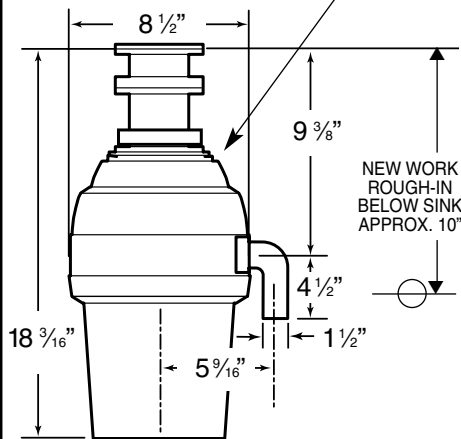


Ten Year In-Home Service Warranty
(see below).



DIMENSIONS

Knock-out for dishwasher drain connector sized for 7/8" I.D. rubber hose.



Measurements are in inches

SPECIFICATIONS

| | |
|------------------------|--|
| Motor Horsepower | 1 H.P. |
| Motor Speed R.P.M. | 2800 |
| Voltage | 115 |
| Hz | 60 |
| Current-Amps | 7.0 |
| Motor Type | Permanent Magnet |
| Power Cord | Attached |
| Sink Flange | Stainless Steel & Celcon |
| Stopper/Actuator | 3 Position |
| Waste Elbow | ABS |
| Feed | Batch Loading |
| Grind Ring | Stainless Steel |
| Swivel Impellers | Cast Stainless Steel |
| Turntable | Stainless Steel |
| Hopper | Glass Filled Nylon |
| Grinding Chamber | Corrosion Proof Glass Filled Polyester |
| Bearings | Permanently Lubricated; Sleeve Type |
| Overload Protector | Manual Reset Type |
| Sound Dampening Shell | Yes - Foam Insulated |
| Shipping Weight (lbs.) | 16.4 |
| Pallet Quantity | 100 |

Due to continued product improvement, system configurations and specifications may change without notice.

Waste King® Warranty

Any Waste King® Model SS8000TC less than 10 years old that develops a material or mechanical defect will be repaired or replaced in your home free of charge.



4240 E. La Palma Avenue
Anaheim, California 92807
(800) 854-3229