



PRO200SS



43" x 20" x 24.5" (H x W x D)

20" wide gas range in stainless steel with electronic ignition, oven window, and open burners

Highlights:

Slim 20" width for an easy fit in small kitchens

Stainless steel doors bring a professional look to smaller kitchen spaces

Includes an oven window and light for cooking convenience

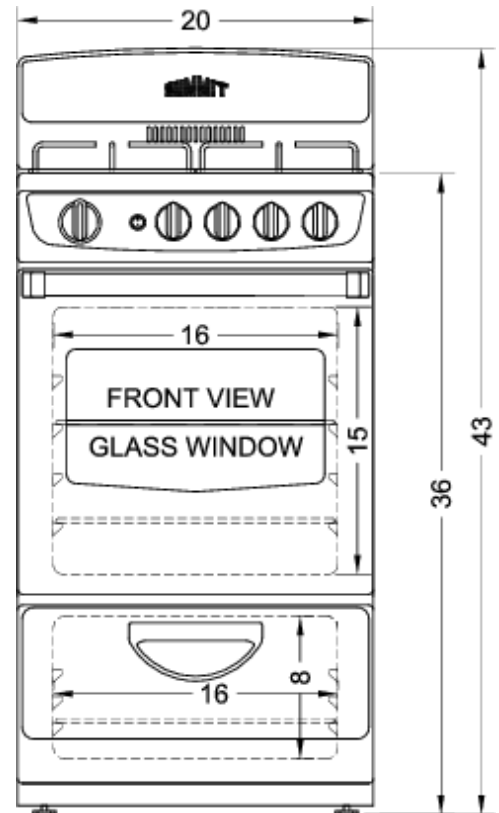
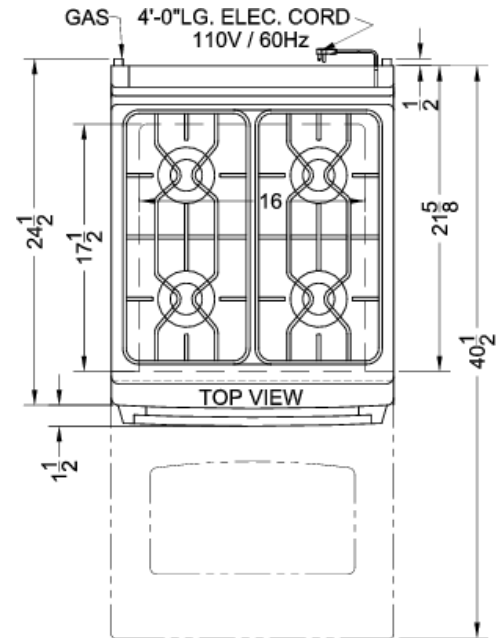
Product Features:

20" Width	Perfectly sized for apartments and smaller kitchens
Stainless steel finish	Door, broiler, backguard, control panel, and handle feature a stainless steel finish for a professional look
Oven window with light	Easier monitoring of your cooking with an oven window and on/off light
LP Convertible	Includes a kit that allows the unit to be converted from natural to LP gas after purchase
Continuous grates	Two sets of continuous grates made from heavy duty enamel steel make it easy to move your cookware to different burners
Upfront controls	Control panel is conveniently located to prevent users from reaching over hot cooktop surface for adjustments
Backguard	High backing prevents stovetop contents from splashing up or boiling over and staining walls
Porcelain construction	Oven interior features high quality porcelain construction for long-lasting durability
Slide-out oven racks	Two racks with four glide positions for flexible cooking



PRO200SS Specifications:

Overview	
Height of Cabinet	43.0" (109 cm)
Width	20.0" (51 cm)
Depth	24.5" (62 cm)
Depth with Handle	26.0" (66 cm)
Depth with door at 90°	40.5" (103 cm)
Door	Stainless Steel
Cabinet	Black
US Electrical Safety	CSA
Voltage/Frequency	115 V AC/60 Hz
Weight	97.0 lbs. (44 kg)
Shipping Weight	110.0 lbs. (50 kg)
Parts & Labor Warranty	1 Year
Gas Range	
Ignition	Spark
LP Convertible	Yes
Oven Capacity	2.4 cu.ft
Cooktop Surface	Porcelain
Burner Type	Open
Number of Burners	4
Grate Material	Porcelain Enamel
Burner #1 BTU	9100.0
Burner #2 BTU	9100.0
Burner #3 BTU	9100.0
Burner #4 BTU	9100.0
Burner Controls	Dial
Oven Controls	Dial
Oven Light	Yes
Backguard	Yes
Cleaning Type	Manual
Oven Rack Qty	2
Oven Window	Yes
Oven Interior Height	15.0" (38 cm)
Oven Interior Width	16.0" (41 cm)
Oven Interior Depth	17.5" (44 cm)
Broiler Location	Below Oven





Ranges present a tip-over hazard that can be extremely dangerous, especially to any setting with children. All Summit ranges ship with an anti-tip bracket.

Failure to install the anti-tip bracket can result in death or serious burns to children or adults.

The bracket helps to prevent the range from tipping forward if excess weight is applied to an open oven door. It is strongly recommended that you install the anti-tip bracket when installing your range.

For a replacement anti-tip bracket, call our Parts Department at **718-893-3900 ext. 598**