

# WU 3400 Vinidor

## 24" Wine Cabinet 2 Temperature Zone

The **WU 3400** offers a number of innovative solutions for wine storage. Controls are integrated into the insulation layer between the temperature zones, making it possible to set two different temperatures within the unit between **+41 °F and +68 °F**. Store red and white wines according to your preference - use the entire cabinet for one or store both, each at its optimum drinking temperature. Because the wine cabinet ventilates through the toe kick, no counter slots are necessary, and the cabinet can be integrated easily and elegantly into your kitchen. The glass door starts your high-quality wine experience before you even select a bottle. The LED interior light can be dimmed to provide an ambient atmosphere.

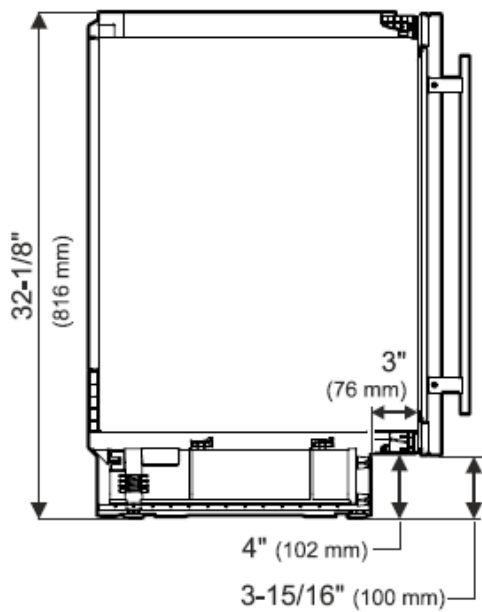


LED lightning

<b>Capacity</b>	34 Bordeaux Bottles
Volume	94 liters /3.3 cu. ft.
Climate rating	SN-T 10°C to 43°C(50°F to 110°F)
Power	115v at 60hz 2.5 amps / 300 watt
Shipping Weight	110 lbs. /50 kg
Glass Door	Right Hand Reversible
	Stainless Steel Frame
	Lock
Bottle Shelves	4 Wooden Slide Out
Hinge Kit for Door Panel	Available

THIS IS A QUICK REFERENCE GUIDE FOR WU 3400, FOR COMPLETE INSTRUCTIONS, PLEASE REFER TO THE DESIGN GUIDE OR VISIT <http://www.liebherr-appliances.com>

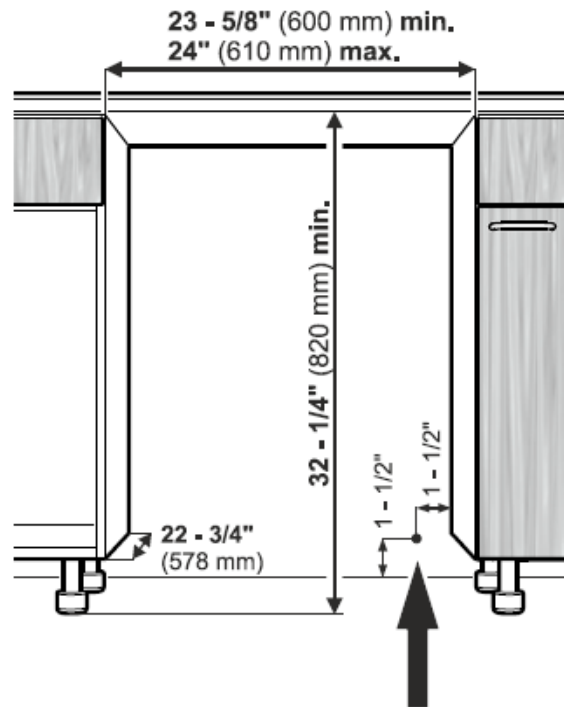
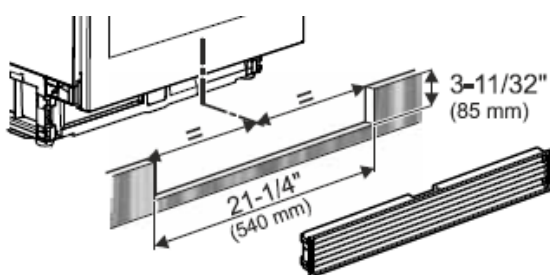
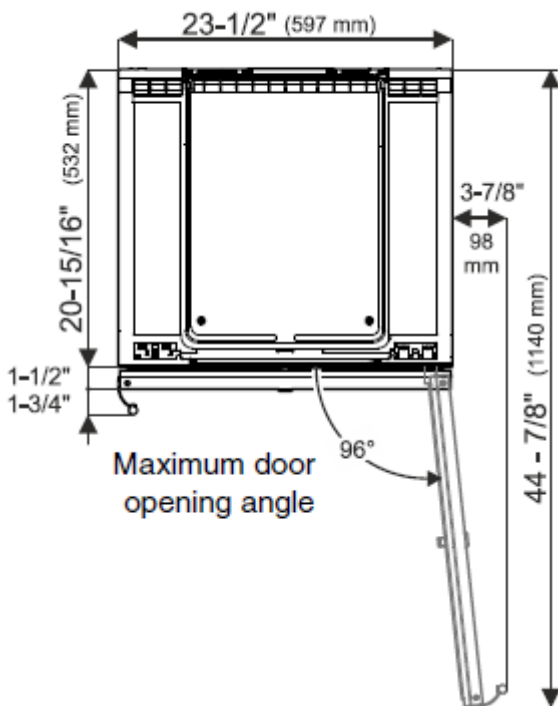
**Side view**



Height when adjustable feet have been screwed in as far as they will go.

**Maximum height adjustment = 2" (51 mm)** to allow for a 6" (153 mm) toe kick.

**Top view**



This is where the power cord extends from the back of the appliance.

Free length of the power cord = 78 - 3/4 inch (2000 mm)

