

WU 4500 GrandCru 24" Wine Cabinet

This wine storage cabinet is ideal for storing wines for long periods of time allowing them to mature to perfection. Depending on what temperature the appliance is set at, it can also be used for keeping white or red wine at exactly the right temperature for serving. The **WU 4500** is the smart under counter solution that allows you to store at a temperature level between **+41° F and +68° F**. A specially developed compressor ensures that the wines are stored vibration-free. Since the wine cabinet ventilates through the toe kick, no counter slots are necessary and the cabinet can be integrated easily and elegantly into your kitchen. This unit also boasts a digital temperature display conveniently located at the top

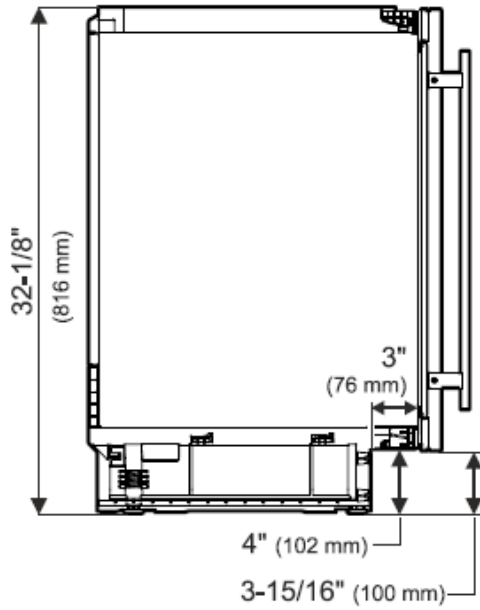


LED lightning

Capacity	46 Bordeaux Bottles
Volume	110 liters /3.3 cu. ft.
Climate rating	SN-T 10°C to 43°C(50°F to 110°F)
Power	115v at 60hz 2.5 amps / 300 watt
Shipping Weight	110 lbs. /50 kg
Glass Door	Right Hand Reversible
	Stainless Steel Frame
	Lock
Bottle Shelves	3 Wooden Slide Out
Hinge Kit for Door Panel	Available

THIS IS A QUICK REFERENCE GUIDE FOR WU 4500, FOR COMPLETE INSTRUCTIONS, PLEASE REFER TO THE DESIGN GUIDE OR VISIT <http://www.liebherr-appliances.com>

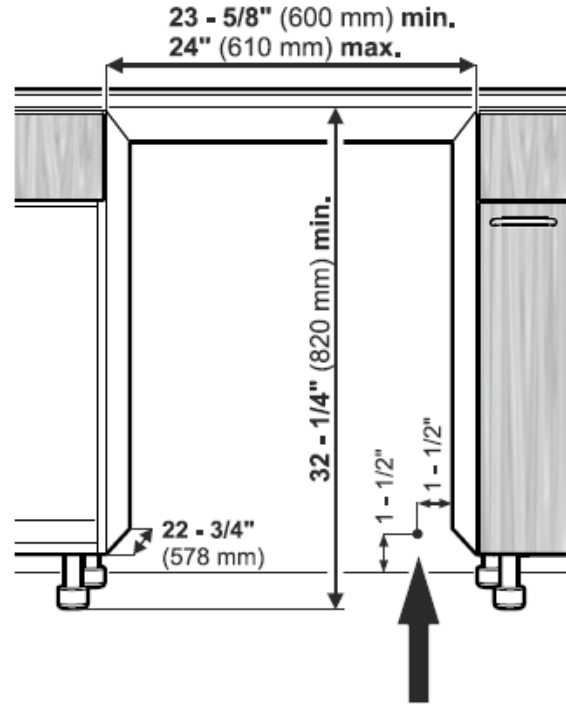
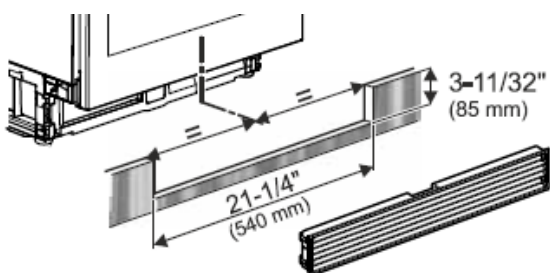
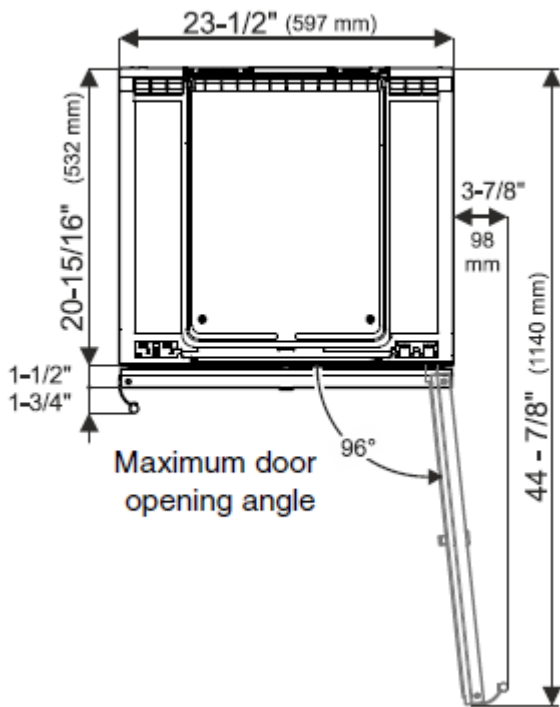
Side view



Height when adjustable feet have been screwed in as far as they will go.

Maximum height adjustment = 2" (51 mm) to allow for a 6" (153 mm) toe kick.

Top view



This is where the power cord extends from the back of the appliance.

Free length of the power cord = 78 - 3/4 Inch (2000 mm)

