



OPEN THE DOOR TO
INSPIRATION



INNOVATION

NEW Blue and White LED Lighting Included on all Signature Series models, you can change the look of your Perlick from Crisp White to Cool Blue illumination with just the flip of a switch.

Forced-air refrigeration Perlick's RAPIDcool™ technology circulates cool air via a fan located at the top of the refrigerator. Chills beverages in under 30 minutes — the fastest temperature pull-down in the industry!

Extra-wide magnetic gasket Produces stronger seal between door and unit for better, more efficient cooling.

Adjustable height, full-extension pullout shelves Vinyl-coated protection and commercial-grade slides provide an unmatched solution in convenience and reliability.

Strong, yet elegant door pulls Sturdy and attractive design that run full height of the door.

Variable-speed compressor Provides optimal efficiency and performance with considerably less noise (*24- and 48-inch Signature Series models only*).

Doors (and drawers) that readily accept a fully integrated wood panel Seamlessly integrate your Perlick into surrounding cabinetry with wood panels from your cabinetmaker built to Perlick specifications. Wood accepting overlay kits are available for all solid door, glass door and drawer models.



Commercial-grade, zero-clearance hinging

Laser-cut for a level of precision that ensures strength and a straight hang of the door.

State-of-the-art control modules A discreetly located module for each temperature zone.

Recessed, UV-protected lighting Light is recessed into the ceiling to prevent accidental contact with goods.

All stainless steel interior The elegant look of the outside continues to the inside of the cabinet for a sanitary, aesthetic design.



24" Signature Series Refrigerator (shown)

QUALITY & INNOVATION THAT **INSPIRES**

CONTENTS

- Find Your Perfect Perlick.....6
- Freezers.....11
- Refrigerators.....19
- Beverage Centers.....29
- Wine Reserves.....39
- Beer Dispensers.....49
- NEW** Dual-Zone Models.....57
- Clear Ice Makers.....65
- Outdoor Models.....71
- Quick Reference.....78
- Door Styles.....83
- Accessories.....84
- Specifications.....86

Enjoy ice cold beverages, brewery-fresh draft beer, the perfectly chilled vintage, crisp fruits and vegetables bursting with flavor, and even chilled face cream – all made possible with Perlick’s quality line of residential undercounter refrigeration.

Featuring the most innovative products in the industry, Perlick makes it easier than ever to add refrigeration to any room of the home – including the home bar, entertainment room, kitchen, family room and bathroom – no matter how much space you have.

For more than 95 years, Perlick’s award-winning products have inspired our customers.

GET INSPIRED. **CHOOSE PERLICK.**





Perlick®

Why Choose **PERLICK?**

Is it possible to be inspired by your refrigeration? **It is when you choose Perlick.**

Offering unmatched quality and innovative, industry-leading features, Perlick has been pleasing customers since 1917. Here are the top ten promises Perlick makes to our customers:

- 
- 1. The fastest cool.** Front-vented, RAPIDcool™ forced-air refrigeration system circulates cool air, chilling your room temperature product inside your units in under 30 minutes – the fastest in the industry.
 - 2. Ease of use.** Enjoy industry-exclusive full-extension pullout shelving and easy-gliding drawers with stainless steel ball bearing glides that ensure smooth extension.
 - 3. The most sanitary interiors.** Our commercial grade stainless steel interiors are durable, attractive, easy to clean, and resistant to odors, stains and mold. They're what the professionals choose for their kitchens.
 - 4. The best airflow.** Unlike the competition, our high quality vinyl-coated grid shelving allows for optimal airflow throughout your unit, so no air is blocked and the temperatures within your unit stay consistently cold.
 - 5. Whisper-quiet compressor.** Perlick's variable-speed compressor is the most energy efficient and quietest compressor available. It delivers consistent temperature throughout your unit, and best of all, it uses half the energy of a standard compressor.
 - 6. Doors and drawers to fit your decor.** The convertible door design allows you to convert your Perlick doors and drawers to wood overlay to match your cabinetry, and zero-clearance hinging allows for perfect abutment with surrounding cabinetry.
 - 7. Perfect for indoors and out.** Many of our units are UL rated for both indoor and outdoor use, so you can enjoy Perlick wherever you are.
 - 8. The best insulation.** Two-inch thick walls provide superior insulation and minimize vibrations, while low-E, UV-coated glass offers industry-leading protection and insulation.
 - 9. Industry-best full three year warranty plus 3 additional years on the sealed refrigeration systems*.** Enjoy peace of mind with the best warranty in the business. We stand behind our products.
 - 10. Made in the U.S.A.** Your Perlick product is proudly made in Milwaukee, Wisconsin, U.S.A., so you can feel good about supporting American industry.

GET INSPIRED. **CHOOSE PERLICK.**

**Product must be registered within 90 days to receive full warranty. Clear Ice Makers excluded.*

FIND YOUR PERFECT PERLICK

SIGNATURE SERIES



- Designed with fully integrated depth to allow flush fit with cabinetry
- Zero-clearance hinging allows for abutment with cabinetry
- Available in 15", 24", 48" and all new 24" dual-zone configurations
- Perlick's exclusive whisper-quiet variable-speed compressor (24" series has a 995-Btu, and the 48" series has a 1,985-Btu). The 15" series uses a standard 700-Btu compressor.
- With 3/4-inch wood overlay, the unit will stand flush with cabinetry
- Front-vented, RAPIDCool™ forced-air refrigeration system
- Commercial-grade stainless steel interior and exterior
- Digital temperature control and Crisp White™ and Cool Blue™ LED lighting
- **Industry Exclusive** adjustable black vinyl-coated full-extension shelves
- **Industry Exclusive** convertible door design allows all doors to be converted to wood overlay from stainless steel
- Low-E, UV-coated glass provides industry leading insulation and protection.
- Available in both indoor and outdoor models
- NEW Dual-Zone models available, featuring two independently-controlled temperature zones within a 24" footprint.

C-SERIES



- Designed with fully-integrated depth to allow flush fit with cabinetry
- Zero-clearance hinging allows for abutment with cabinetry
- Best in Class 700-Btu commercial-grade compressor
- With 3/4-inch wood overlay, the unit will stand flush with cabinetry
- Front-vented, RAPIDCool™ forced-air refrigeration system
- Commercial-grade stainless steel interior
- Interior temperature control and light
- **Industry Exclusive** adjustable black vinyl-coated full-extension shelves
- **Industry Exclusive** convertible door design allows all doors to be converted to wood overlay from stainless steel
- Low-E, UV-coated glass provides industry leading insulation and protection.
- Outdoor refrigerator with solid door or drawers available.

Perlick is proud to offer the widest selection of undercounter refrigeration products in the industry, making it easier than ever to find the unit that is perfect for your space. There are four series of refrigeration available, including Perlick's Signature Series, C-Series, ADA-Compliant Series and the world's first and only 18-inch Shallow-Depth Series. Below you'll find highlights from each series to start you off on your search for the perfect Perlick.

ADA-COMPLIANT SERIES



- 32" height with leveling legs
- Designed for maximum capacity while adhering to strict 34" counter height ADA-Compliant requirements
- Designed with fully integrated depth to allow flush fit with cabinetry
- Best in Class 700-Btu commercial-grade compressor
- Front-vented, RAPIDcool forced-air refrigeration system
- Commercial-grade stainless steel interior
- **Industry Exclusive** adjustable black vinyl-coated full-extension shelves
- **Industry Exclusive** convertible door design allows all doors to be converted to wood overlay from stainless steel

18" SHALLOW-DEPTH SERIES



- 32" height with leveling legs
- Designed for maximum capacity while adhering to strict 34" counter height ADA-Compliant requirements
- **Industry Exclusive** 18" depth for design flexibility
- Designed with fully integrated depth to allow flush fit with cabinetry
- Best in Class 700-Btu whisper-quiet commercial-grade compressor
- Front-vented RAPIDcool forced-air refrigeration system
- Commercial-grade stainless steel interior
- **Industry Exclusive** adjustable black vinyl-coated full-extension shelves
- **Industry Exclusive** convertible door design allows all doors to be converted to wood overlay from stainless steel



24-inch C-Series Beverage
Center (shown)

INSPIRE

“Since the introduction of the Perlick residential product offering, our firm has specified, procured and installed well over 200 units. We have found that Perlick’s wide selection of product offerings, fresh styling and features included as standard are suited well for any residential or commercial application. The environments in which we have installed the Perlick units require very quiet refrigeration systems, yet each unit must be robust and reliable for a demanding clientele. To date with over 200 units installed globally, we have experienced no failures or the need for any warranty service. At RDS our reputation is our brand, and the Perlick offering and product reliability complements our philosophy well.”

Fred Lillian, General
Manager/Director of Operations
Restaurant Design and Sales

INSPIRE

“Perlick’s undercounter refrigeration is an attractive and dependable addition for my residential projects. For my discerning clients, Perlick equipment is a must-have.”

John Repasky, Owner
Tradewinds Hawaii, Kona, Hawaii



*Signature Series 48-inch solid door
Freezer/glass door Refrigerator (shown)*

COLD FREEZERS

When it comes to stylish freezer solutions for your entertaining purposes, we have thought of it all. Quiet, powerful and energy-efficient, all Perlick freezers feature forced-air refrigeration, automatic hot gas defrost and our unique variable speed compressor.

Perlick's door models are ideal for frozen pizzas, bulky boxes or other frozen goods. Drawers are the perfect freezer storage solution for containers of ice cream, frozen fruits and vegetables, breads, ice packs, and other items. Perlick's undercounter freezers are also perfect for your bar area, as they are available with Industry Exclusive full-extension vinyl-coated racks for storing martini glasses and beer mugs.

24- AND 48-INCH SIGNATURE SERIES



ADA-COMPLIANT
SERIES



FEATURES

FREEZERS

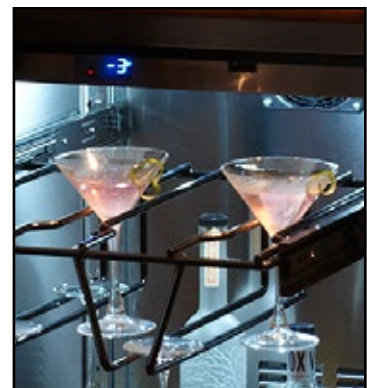
- Available in door and drawer models; door models include two (2) adjustable black vinyl-coated full-extension shelves
- Maintenance-free automatic defrost
- Powered by a commercial-grade compressor
- Convertible door design allows all doors the ability to be converted to wood overlay from stainless steel
- 2-inch thick walls provide superior insulation and minimize vibrations
- Zero-clearance hinging allows for abutment with surrounding cabinetry
- Freezer temperature: -10 to 10 degrees F (Factory set to 0°F)



Signature Series models feature Crisp White and Cool Blue LED lighting; easily switch back and forth with the flip of a switch!



Features commercial-grade stainless steel interior



Optional vinyl-coated martini racks available for storing martini glasses and beer mugs



*24-inch Signature Series Freezer
Drawers (left) and 15-inch Signature
Series Refrigerator Drawers*

FREEZERS

24" SIGNATURE SERIES



HP24FS

Specifications

Overall Width 23-7/8" (60.64 cm)
Overall Height 34-1/4" (86.96 cm)
Overall Depth 24" (60.96 cm)
Capacity 5.2 cu. ft.
Voltage 115/60/1
Amps 2.3
Shipping Weight 191 lbs.

Door Styles

- 1 - solid stainless steel door
- 2 - integrated solid wood overlay door
- 5 - stainless steel drawers
- 6 - integrated wood overlay drawers

Features

- Two (2) **Industry Exclusive** full-extension pull-out shelves (adjustable) (*door models only*)
- Freezer equipped with hot gas defrost for maintenance-free defrosting
- Available with stainless steel drawers
- Indoor and outdoor models available



Perlick's Patented

48" SIGNATURE SERIES



HP48FR-S-1L-1R

HP48FR-S

Specifications

Overall Width 47-7/8" (121.60 cm)
Overall Height 34-1/4" (86.96 cm)
Overall Depth 24" (60.96 cm)
Capacity 11 cu. ft.
Voltage 115/60/1
Amps 3.8
Shipping Weight 332 lbs.

Door Styles (Freezer)

- 1 - solid stainless steel door
- 2 - integrated solid wood overlay door
- 5 - stainless steel drawers
- 6 - integrated wood overlay drawers

Features

- Two (2) **Industry Exclusive** full-extension pull-out shelves (adjustable) (*door models only*)
- Freezer equipped with hot gas defrost for maintenance-free defrosting
- Available with stainless steel drawers





HP48FR-S-5-5

24" ADA-COMPLIANT SERIES



HA24FB-1R



HA24FB-5

HA24FB

Additional Compartment Information

HP48FR-S Freezer/Refrigerator

- Two (2) **Industry Exclusive** full-extension pullout shelves (*drawer models excluded*)
- **Industry Exclusive** stainless steel drawers tall enough to store milk gallons and Corona bottles
- Refrigerator zone temperature: 30° to 42° F
- Refrigerator zone door styles: 1, 2, 3, 4, 5, 6

Specifications

Overall Width 23-7/8" (60.64 cm)
Overall Height 32" (81.28 cm)
Overall Depth 24" (60.96 cm)
Capacity 4.8 cu. ft.
Voltage 115/60/1
Amps 2.3
Shipping Weight 196 lbs.

Door Styles

1 - solid stainless steel
 2 - integrated wood overlay
 5 - stainless steel drawers
 6 - integrated wood overlay drawers

Features

- Two (2) **Industry Exclusive** full-extension pullout shelves (adjustable) (*drawer models excluded*)
- Available with **Industry Exclusive** stainless steel drawers



AVAILABLE MODELS

24" SIGNATURE SERIES FREEZER

- HP24FS-1L*†** 24" freezer with solid stainless steel door, hinge left
- HP24FS-2L*†** 24" freezer with integrated solid wood overlay door, hinge left
- HP24FS-5L†** 24" freezer with solid stainless steel drawers
- HP24FS-6L†** 24" freezer with solid wood overlay drawers

48" SIGNATURE SERIES FREEZER

- HP48RB*†** 48" freezer/refrigerator

Available Door Styles	1	2	3	4	5	6	
Freezer	●	●			●	●	1 - Solid stainless steel door
Refrigerator	●	●	●	●	●	●	2 - Solid wood overlay door
							3 - Stainless steel glass door
							4 - Wood overlay glass door
							5 - Solid stainless steel drawers
							6 - Solid wood overlay drawers

24" ADA-COMPLIANT SERIES FREEZER

- HA24FB-1L*** 24" ADA-Compliant freezer with solid stainless steel door, hinge left
- HA24FB-2L*** 24" ADA-Compliant freezer with integrated solid wood overlay door, hinge left
- HA24FB-5** 24" ADA-Compliant freezer with solid stainless steel drawers
- HA24FB-6** 24" ADA-Compliant freezer with solid wood overlay drawers

* Also available with right hinge

†  Energy Star rated model

OPTIONAL FREEZER ACCESSORIES

- (L) Factory Installed** Door lock
- RS-15-15R** Shelf, refrigerator (15" unit)
- RS-24-24R** Shelf, refrigerator (24" unit)
- RS-24-24DS** Shelf, divider (24" unit)
- RS-24-24M** Shelf, Martini Rack (24" unit)
- HP24** Stacking kit (24" unit)
- HP48** Stacking kit (48" unit)
- 66736** Casters (24"/48" unit)
- 67439L** Hinge kit, left
- 67439R** Hinge kit, right
- 65305-1** Door handle (Signature Series)
- 65870** Door handle (C-Series, ADA-Compliant Series, 18" Shallow-Depth Series)
- 67164** 6" toe kick and riser (ADA-Compliant model)

MAKE IT YOUR OWN ...

Customize your Perlick product with any of our Perlick accessories. For our full line of accessories, see our Accessories Gallery on pages 84 and 85.



▶ **Perlick** DESIGNINSPIRATION

Entertaining? Our industry exclusive martini rack lets you chill your martini glasses and beer mugs icy cold before serving beverages for your guests' — and your own — optimal enjoyment!

24-inch Signature Series Freezer with optional Martini Rack (shown)

INSPIRE

"We have been proud to showcase a Perlick beverage refrigerator in our conference room for the last three to four years. Not only have we enjoyed it — our clients have enjoyed it. The design is classic, industrial and clean — very much in alignment with our design aesthetic."

Susan Marinello, Principal
Design Director
Susan Marinello Interiors

*15-inch Signature Series
Refrigerator Drawers
(shown)*

CHILL REFRIGERATORS

Perlick's luxury undercounter units are the perfect solution to adding customizable refrigeration to any room of your home. In a bathroom, our 15-inch drawers (shown left) are great for bottled water, medication and cosmetics. The 24-inch glass door refrigerators are great for kitchens that need a touch more refrigeration, and are the perfect height for storing children's snacks. And, our 48-inch units offer the most refrigeration capacity (12 cubic feet) along with the ability to customize storage space with the options of a freezer, refrigerator, beverage center, wine reserve or beer dispenser.

Our ADA-Compliant line makes refrigeration accessible to all, while our C-Series refrigerator provides an affordable option. Our new line of internationally renowned Shallow-Depth refrigerators solve any design challenge thanks to their exclusive 18-inch depth.

15-, 24- AND 48-INCH SIGNATURE SERIES

C-SERIES

ADA-COMPLIANT
SERIES

18-INCH
SHALLOW-
DEPTH SERIES



FEATURES

REFRIGERATORS

- Available in door and drawer models; door models include two (2) adjustable black vinyl-coated full-extension shelves
- Powered by a commercial-grade compressor
- 2-inch thick walls provide superior insulation and minimize vibrations
- Commercial-grade sanitary stainless steel interior
- Zero-clearance hinging allows for abutment with surrounding cabinetry
- Refrigerator rated for both food and beverage storage
- Refrigerator temperature 30 to 42 degrees F (Factory set to 38°F)



Signature Series models feature Crisp White and Cool Blue LED lighting; easily switch back and forth with the flip of a switch!



Convertible door design allows all doors the ability to be converted to wood overlay from stainless steel



Drawers are deep enough to hold gallons of milk and Corona bottles



48-inch Signature Series Refrigerator/Wine Reserve (top), 48-inch Signature Series Freezer/Refrigerator Drawers (below)

REFRIGERATORS

15" SIGNATURE SERIES



HP15RS

Specifications

Overall Width 14-7/8" (37.78 cm)
Overall Height 34-1/4" (86.96 cm)
Overall Depth 24" (60.96 cm)
Capacity 3.0 cu. ft.
Voltage 115/60/1
Amps 2.3
Shipping Weight 144 lbs.

Door Styles

- 1 - solid stainless steel door
- 2 - integrated solid wood overlay door
- 3 - stainless steel glass door
- 4 - integrated wood overlay glass door
- 5 - stainless steel drawers
- 6 - integrated wood overlay drawers

Features

- Two (2) full-extension pullout shelves (adjustable) (*door models only*)
- Available with **Industry Exclusive** stainless steel drawers
- Indoor and outdoor models available



24" SIGNATURE SERIES



HP24RS

Specifications

Overall Width 23-7/8" (60.64 cm)
Overall Height 34-1/4" (86.96 cm)
Overall Depth 24" (60.96 cm)
Capacity 5.2 cu. ft.
Voltage 115/60/1
Amps 2.3
Shipping Weight 191 lbs.

Door Styles

- 1 - solid stainless steel door
- 2 - integrated solid wood overlay door
- 3 - stainless steel glass door
- 4 - integrated wood overlay glass door
- 5 - stainless steel drawers
- 6 - integrated wood overlay drawers

Features

- Two (2) full-extension pullout shelves (adjustable) (*door models only*)
- Available with stainless steel drawers
- Indoor and outdoor models available



Perlick's Patented

48" SIGNATURE SERIES



HP48RR-S-1L-3R



HP48RR-S-1L-1R



HP48RT-S-3L-1R



HP48RR-S-5-5



HP48RW-S-3L-3R

HP48*

*Multiple 48" configurations with a refrigerator compartment are available. See page 26 for complete list of models.

Specifications

Overall Width 47-7/8" (121.60 cm)
Overall Height 34-1/4" (86.96 cm)
Overall Depth 24" (60.96 cm)
Capacity 11.0 to 12.0 cu. ft.
Voltage 115/60/1
Amps 2.3
Shipping Weight 332 lbs.

Door Styles
(Refrigerator)

- 1 - solid stainless steel door
- 2 - integrated solid wood overlay door
- 3 - stainless steel glass door
- 4 - integrated wood overlay glass door
- 5 - stainless steel drawers
- 6 - integrated wood overlay drawers

Features

- Two (2) full-extension pullout shelves (adjustable) (*door models only*)
- Available with stainless steel drawers
- Refrigerator zone temperature: 30° to 42°F
- Indoor and outdoor models available (*HP48RR and HP48RT only*)

Additional Compartment Information

HP48FR-S Freezer/Refrigerator

- Freezer equipped with hot gas defrost for maintenance-free defrosting
- Capacity: 11.0 cu. ft.
- Freezer zone temperature: -10° to 10° F
- Freezer door styles: 1, 2, 5, 6

HP48RW-S Refrigerator/Wine Reserve

- Wine Reserve holds up to 48 bottles of wine
- Capacity: 11.0 cu. ft.
- Wine Reserve zone temperature: 40° to 68°F
- Wine Reserve door styles: 1, 2, 3, 4

HP48RT-S Refrigerator/Beer Dispenser

- Complete, self-contained beer system
- Available with one, two or three taps to accommodate up to three different types of beer
- Will hold one 1/2 barrel + 1/4 barrel (drawer model excluded) or one, two or three 1/6 kegs
- Capacity: 12.0 cu. ft.
- Beer Dispenser zone temperature: 30° to 42°F
- Beer Dispenser door styles: 1, 2



REFRIGERATORS

C-SERIES



HC24RB-3R

HC24RB-1R

HC24RB-5

HC24RB

Specifications

Overall Width 23-7/8" (60.64 cm)
Overall Height 34-1/4" (86.96 cm)
Overall Depth 24" (60.96 cm)
Capacity 5.3 cu. ft.
Voltage 115/60/1
Amps 2.3
Shipping Weight 183 lbs.

Door Styles

- 1 - solid stainless steel door
- 2 - integrated solid wood overlay door
- 3 - stainless steel glass door
- 4 - integrated wood overlay glass door
- 5 - stainless steel drawers
- 6 - integrated wood overlay drawers

Features

- Two (2) full-extension pullout shelves (adjustable) (*drawer models excluded*)
- Refrigerator with solid door or drawers available as outdoor model



24" ADA-COMPLIANT SERIES



HA24RB-3R

HA24RB-1R

HA24RB-5

HA24RB

Specifications

Overall Width 23-7/8" (60.64 cm)
Overall Height 32" (81.28 cm)
Overall Depth 24" (60.96 cm)
Capacity 4.8 cu. ft.
Voltage 115/60/1
Amps 2.3
Shipping Weight 181 lbs.

Door Styles

- 1 - solid stainless steel door
- 2 - integrated solid wood overlay door
- 3 - stainless steel glass door
- 4 - integrated wood overlay glass door
- 5 - stainless steel drawers
- 6 - integrated wood overlay drawers

Features

- Two (2) full-extension pullout shelves (adjustable) (*drawer models excluded*)
- Available with stainless steel drawers



18" SHALLOW-DEPTH SERIES



HH24RS-3R



HH24RS-1R

HH24RS

Specifications

Overall Width 23-7/8" (60.64 cm)
Overall Height 32" (81.28 cm)
Overall Depth 18" (45.72 cm)
Capacity 3.1 cu. ft.
Voltage 115/60/1
Amps 2.3
Shipping Weight 185 lbs.

Door Styles

- 1 - solid stainless steel door
- 2 - integrated solid wood overlay door
- 3 - stainless steel glass door
- 4 - integrated wood overlay glass door

Features

- **Industry Exclusive** 18" depth
- Two (2) full-extension pullout shelves (adjustable)

DESIGNINSPIRATION

Looking to add versatile food and beverage storage? Perlick's **Refrigerator Drawers** are versatile and deep enough to fit chilled goods and beverages such as large juice bottles and a gallon of milk in the kitchen, and taller bottles of beer like Corona in your bar or entertainment area. Plus, our smaller 15-inch Refrigerator Drawers are great for chilling bottled water, medication and natural cosmetics in the bath. Let Perlick inspire you in every area of your home.



AVAILABLE MODELS

15" SIGNATURE SERIES REFRIGERATOR

HP15RS-1L*	15" refrigerator with solid stainless steel door, hinge left
HP15RS-2L*	15" refrigerator with integrated solid wood overlay door, hinge left
HP15RS-3L*	15" refrigerator with stainless steel glass door, hinge left
HP15RS-4L*	15" refrigerator with integrated wood overlay glass door, hinge left
HP15RS-5	15" refrigerator with solid stainless steel drawers
HP15RS-6	15" refrigerator with integrated solid wood overlay drawers

24" SIGNATURE SERIES REFRIGERATOR

HP24RS-1L* †	24" refrigerator with solid stainless steel door, hinge left
HP24RS-2L* †	24" refrigerator with integrated solid wood overlay door, hinge left
HP24RS-3L* †	24" refrigerator with stainless steel glass door, hinge left
HP24RS-4L* †	24" refrigerator with integrated wood overlay glass door, hinge left
HP24RS-5†	24" refrigerator with solid stainless steel drawers
HP24RS-6†	24" refrigerator with integrated solid wood overlay drawers

48" SIGNATURE SERIES REFRIGERATOR

HP48FR* †	48" freezer/refrigerator
HP48RR*	48" refrigerator=refrigerator
HP48RB *	48" refrigerator/beverage center
HP48RT*	48" refrigerator/beer dispenser
HP48RW*	48" refrigerator/wine reserve

Available Door Styles	1	2	3	4	5	6	
Freezer	●	●			●	●	1 - Solid stainless steel door
Refrigerator	●	●	●	●	●	●	2 - Solid wood overlay door
Beverage Center	●	●	●	●			3 - Stainless steel glass door
Wine Reserve	●	●	●	●			4 - Wood overlay glass door
Beer Dispenser	●	●					5 - Solid stainless steel drawers
							6 - Solid wood overlay drawers

24" C-SERIES REFRIGERATOR

HC24RB-1L* †	24" Commercial-Series refrigerator with solid stainless steel door, hinge left
HC24RB-2L* †	24" Commercial-Series refrigerator with integrated solid wood overlay door, hinge left
HC24RB-3L* †	24" Commercial-Series refrigerator with stainless steel glass door, hinge left
HC24RB-4L* †	24" Commercial-Series refrigerator with integrated wood overlay glass door, hinge left
HC24RB-5†	24" Commercial-Series refrigerator with solid stainless steel drawers
HC24RB-6†	24" Commercial-Series refrigerator with integrated solid wood overlay drawers

* Also available with right hinge

†  Energy Star rated model

24" ADA-COMPLIANT SERIES REFRIGERATOR

HA24RB-1L* †	24" ADA-Compliant refrigerator with solid stainless steel door, hinge left
HA24RB-2L* †	24" ADA-Compliant refrigerator with integrated solid wood overlay door, hinge left
HA24RB-3L* †	24" ADA-Compliant refrigerator with stainless steel glass door, hinge left
HA24RB-4L* †	24" ADA-Compliant refrigerator with integrated wood overlay glass door, hinge left
HA24RB-5†	24" ADA-Compliant refrigerator with solid stainless steel drawers
HA24RB-6†	24" ADA-Compliant refrigerator with integrated solid wood overlay drawers

18" SHALLOW-DEPTH SERIES REFRIGERATOR

HH24RS-1L* †	18" Shallow-Depth refrigerator with solid stainless steel door, hinge left
HH24RS-2L* †	18" Shallow-Depth refrigerator with integrated solid wood overlay door, hinge left
HH24RS-3L* †	18" Shallow-Depth refrigerator with stainless steel glass door, hinge left
HH24RS-4L* †	18" Shallow-Depth refrigerator with integrated wood overlay glass door, hinge left

* Also available with right hinge

†  Energy Star rated model

OPTIONAL REFRIGERATOR ACCESSORIES

(L) Factory Installed	
	Door lock
RS-15-15R	Shelf, refrigerator (15" unit)
RS-24-24R	Shelf, refrigerator (24" unit)
RS-24-24DS	Shelf, divider (24" unit)
RS-24-24M	Shelf, martini Rack (24" unit)
RS-18-18R	Shelf, refrigeration (18" depth unit)
HP15	Stacking kit (15" unit)
HP24	Stacking kit (24" unit)
HP48	Stacking kit (48" unit)
66736-15	Casters (15" unit)
66736	Casters (24"/48" unit)
67439L	Hinge kit, left
67439R	Hinge kit, right
65305-1	Door handle (Signature Series)
65870	Door handle (C-Series, ADA-Compliant Series, 18" Shallow-Depth Series)
67164	6" toe kick and riser
67360	6" toe kick and riser (18" Shallow-Depth Series)

MAKE IT YOUR OWN ...

Customize your Perlick product with any of our Perlick accessories. For our full line of accessories, see our Accessories Gallery on pages 84 and 85.

INSPIRE

"In addition to compliments regarding the aesthetics and ease of use of the Perlick refrigerators used in our rooms, our guests are consistently amazed by how quiet the units are."

Tim Dixon, Owner
The Iron Horse Hotel, Milwaukee, Wisconsin



*24-inch C-Series Beverage
Center with optional Wood Wine Fronts (shown)
(photo courtesy of The Iron Horse Hotel)*

REFRESH BEVERAGE CENTERS

The practicality of a refrigerator meets the elegance of a wine reserve in Perlick's full line of beverage centers. Two full-extension wine racks keep your wine at the perfect serving temperature, while the full-extension refrigerator shelf keeps cans, bottles and snacks chilled below. With a variety of sizes available, Perlick makes it easy, and stylish, to refresh any room in your home.

15-, 24- AND 48-INCH SIGNATURE SERIES



C-SERIES

ADA-COMPLIANT
SERIES

18-INCH
SHALLOW-
DEPTH SERIES





FEATURES

BEVERAGE CENTERS

- All models include two (2) adjustable black vinyl-coated full-extension wine shelves and one (1) adjustable black vinyl-coated full-extension shelf
- Powered by a commercial-grade compressor
- Convertible door design allows all doors the ability to be converted to wood overlay from stainless steel
- 2-inch thick walls provide superior insulation and minimize vibrations
- Commercial-grade sanitary stainless steel interior
- Zero-clearance hinging allows for abutment with surrounding cabinetry
- Beverage Center rated for both food and beverage storage
- Beverage Center temperature 30 to 48 degrees F (Factory set to 42°F)



Signature Series models feature Crisp White and Cool Blue LED lighting; easily switch back and forth with the flip of a switch!



Full-extension wine shelves are vinyl-coated, virtually eliminating any vibration to bottles



Low-E, UV-coated glass provides industry leading insulation and protection



18-inch Shallow-Depth Beverage
Center (shown)

BEVERAGE CENTERS

15" SIGNATURE SERIES



HP15BS

Specifications

Overall Width 14-7/8" (37.78 cm)
Overall Height 34-1/4" (86.96 cm)
Overall Depth 24" (60.96 cm)
Capacity 3.0 cu. ft.
Voltage 115/60/1
Amps 2.3
Shipping Weight 150 lbs.

Door Styles

- 1 - solid stainless steel door
- 2 - integrated solid wood overlay door
- 3 - stainless steel glass door
- 4 - integrated wood overlay glass door

Features

- Two (2) full-extension wine shelves and one (1) full-extension vinyl-coated shelf that are removable and adjustable
- Will hold 8 wine bottles (750 ml) on wine shelves



24" SIGNATURE SERIES



HP24BS

Specifications

Overall Width 23-7/8" (60.64 cm)
Overall Height 34-1/4" (86.96 cm)
Overall Depth 24" (60.96 cm)
Capacity 5.2 cu. ft.
Voltage 115/60/1
Amps 2.3
Shipping Weight 203 lbs.

Door Styles

- 1 - solid stainless steel door
- 2 - integrated solid wood overlay door
- 3 - stainless steel glass door
- 4 - integrated wood overlay glass door

Features

- Two (2) full-extension wine shelves and one (1) full-extension vinyl-coated shelf.
- Will hold 16 wine bottles (750 ml) and 42 cans (12 oz)



Perlick's Patented

48" SIGNATURE SERIES



HP48RB-S-3L-3R



HP48RB-S-1L-1R

HP48*

*Multiple 48" configurations with a beverage center compartment are available. See page 36 for complete list of models.

Specifications

- Overall Width** 47-7/8" (121.60 cm)
- Overall Height** 34-1/4" (86.96 cm)
- Overall Depth** 24" (60.96 cm)
- Capacity** 12 cu. ft.
- Voltage** 115/60/1
- Amps** 3.8
- Shipping Weight** 332 lbs.

Door Styles
(Beverage Center)

- 1 - solid stainless steel door
- 2 - integrated solid wood overlay door
- 3 - stainless steel glass door
- 4 - integrated wood overlay glass door

Features

- Two (2) separate temperature zones
- Two (2) full-extension wine shelves and one (1) full-extension vinyl-coated shelf
- Beverage Center temperature: 30° to 48°F
- Will hold 16 wine bottles (750 ml) and 42 cans (12 oz)

Additional Compartment Information

HP48RB-S Refrigerator / Beverage Center

- Perfect for storing food, cans, bottles and wine
- Refrigerator zone features two (2) full-extension pull-out shelves (drawer models excluded)
- Refrigerator zone available with stainless steel drawer or integrated wood overlay drawers
- Refrigerator temperature: 30° to 42° F
- Refrigerator door styles: 1, 2, 3, 4, 5, 6



BEVERAGE CENTERS

C-SERIES



HC24BB-3R

HC24BB-1R

HC24BB

Specifications

Overall Width 23-7/8" (60.64 cm)
Overall Height 34-1/4" (86.96 cm)
Overall Depth 24" (60.96 cm)
Capacity 5.3 cu. ft.
Voltage 115/60/1
Amps 2.3
Shipping Weight 195 lbs.

Door Styles

- 1 - solid stainless steel door
- 2 - integrated solid wood overlay door
- 3 - stainless steel glass door
- 4 - integrated wood overlay glass door

Features

- Two (2) full-extension wine shelves and one (1) full-extension vinyl-coated shelf
- Will hold 16 wine bottles (750 ml) and 42 cans (12 oz)



Intertek

24" ADA-COMPLIANT SERIES



HA24BB-3R

HA24BB-1R

HA24BB

Specifications

Overall Width 23-7/8" (60.64 cm)
Overall Height 32" (81.28 cm)
Overall Depth 24" (60.96 cm)
Capacity 4.8 cu. ft.
Voltage 115/60/1
Amps 2.3
Shipping Weight 195 lbs.

Door Styles

- 1 - solid stainless steel door
- 2 - integrated solid wood overlay door
- 3 - stainless steel glass door
- 4 - integrated wood overlay glass door

Features

- Two (2) full-extension wine shelves and one (1) full-extension vinyl-coated shelf
- Will hold 16 wine bottles (750 ml) and 42 cans (12 oz)



Intertek

18" SHALLOW-DEPTH SERIES



HH24BS-3R

HH24BS-1R

HH24BS

Specifications

Overall Width 23-7/8" (60.64 cm)
Overall Height 32" (81.28 cm)
Overall Depth 18" (47.72 cm)
Capacity 3.1 cu. ft.
Voltage 115/60/1
Amps 2.3
Shipping Weight 185 lbs.

Door Styles

- 1 - solid stainless steel door
- 2 - integrated solid wood overlay door
- 3 - stainless steel glass door
- 4 - integrated wood overlay glass door

Features

- Industry Exclusive 18" depth design
- Two (2) full-extension wine shelves and one (1) full-extension vinyl-coated shelf
- Will hold 10 wine bottles (750 ml) and 42 cans (12 oz)

DESIGN INSPIRATION

Short on space? We have solutions so you can enjoy a Perlick **Beverage Center** in nearly any room. At just over a foot wide, our sleek and slim 15" Signature Series model can squeeze into the narrowest spaces. Our 18" Shallow-Depth model offers less depth, so you can enjoy your Perlick - as well as a little more floor space.



AVAILABLE MODELS

15" SIGNATURE SERIES BEVERAGE CENTER

- HP15BS-1L*** 15" beverage center with solid stainless steel door, hinge left
- HP15BS-2L*** 15" beverage center with integrated solid wood overlay door, hinge left
- HP15BS-3L*** 15" beverage center with stainless steel glass door, hinge left
- HP15BS-4L*** 15" beverage center with integrated wood overlay glass door, hinge left

24" SIGNATURE SERIES BEVERAGE CENTER

- HP24BS-1L* †** 24" beverage center with solid stainless steel door, hinge left
- HP24BS-2L* †** 24" beverage center with integrated solid wood overlay door, hinge left
- HP24BS-3L* †** 24" beverage center with stainless steel glass door, hinge left
- HP24BS-4L* †** 24" beverage center with integrated wood overlay glass door, hinge left

48" SIGNATURE SERIES BEVERAGE CENTER

- HP48RB*** 48" refrigerator/beverage center

Available Door Styles	1	2	3	4	5	6	
Refrigerator	●	●	●	●	●	●	1 - Solid stainless steel door
Beverage Center	●	●	●	●			2 - Solid wood overlay door
							3 - Stainless steel glass door
							4 - Wood overlay glass door
							5 - Solid stainless steel drawers
							6 - Solid wood overlay drawers

24" C-SERIES BEVERAGE CENTER

- HC24BB-1L* †** 24" Commercial-Series beverage center with solid stainless steel door, hinge left
- HC24BB-2L* †** 24" Commercial-Series beverage center with integrated solid wood overlay door, hinge left
- HC24BB-3L* †** 24" Commercial-Series beverage center with stainless steel glass door, hinge left
- HC24BB-4L* †** 24" Commercial-Series beverage center with integrated wood overlay glass door, hinge left

24" ADA-COMPLIANT SERIES BEVERAGE CENTER

- HA24BB-1L* †** 24" ADA-Compliant beverage center with solid stainless steel door, hinge left
- HA24BB-2L* †** 24" ADA-Compliant beverage center with integrated solid wood overlay door, hinge left
- HA24BB-3L* †** 24" ADA-Compliant beverage center with stainless steel glass door, hinge left
- HA24BB-4L* †** 24" ADA-Compliant beverage center with integrated wood overlay glass door, hinge left

18" SHALLOW-DEPTH SERIES BEVERAGE CENTER

- HH24BS-1L* †** 18" Shallow-Depth beverage center with solid stainless steel door, hinge left
- HH24BS-2L* †** 18" Shallow-Depth beverage center with integrated solid wood overlay door, hinge left
- HH24BS-3L* †** 18" Shallow-Depth beverage center with stainless steel glass door, hinge left
- HH24BS-4L* †** 18" Shallow-Depth beverage center with integrated wood overlay glass door, hinge left

* Also available with right hinge

†  Energy Star rated model

OPTIONAL BEVERAGE CENTER ACCESSORIES

(L) Factory Installed	Door lock
RS-15-15R	Shelf, refrigerator (15" unit)
RS-15-15W	Shelf, wine (15" unit) SS fronts
RS-24-24R	Shelf, refrigerator (24" unit)
RS-24-24W	Shelf, wine (24" unit) SS fronts
RS-24-24DS	Shelf, divider (24" unit)
RS-24-24M	Shelf, martini Rack (24" unit)
RS-18-18R	Shelf, refrigerator (18" depth unit)
RS-18-18W	Shelf, wine (18" depth unit) SS fronts
67115-15	Wine shelf wood faces (15" unit) (bundle of 5)
67115-24	Wine shelf wood faces (24" unit) (bundle of 6)
HP15	Stacking kit (15" unit)
HP24	Stacking kit (24" unit)
HP48	Stacking kit (48" unit)
66736-15	Casters (15" unit)
66736	Casters (24"/48" unit)
67439L	Hinge kit, left
67439R	Hinge kit, right
65305-1	Door handle (Signature Series)
65870	Door handle (C-Series, ADA-Compliant Series, 18" Shallow-Depth Series)
67164	6" toe kick and riser
67360	6" toe kick and riser (18" Shallow-Depth Series)

MAKE IT YOUR OWN ...

Customize your Perlick product with any of our Perlick accessories. For our full line of accessories, see our Accessories Gallery on pages 84 and 85.

INSPIRE

"The impressive wine storage capabilities, clean lines and industrial feel of Perlick's products, along with the ability to use glass doors, appealed to our entire design team."

Marc Steron, Managing Partner
Shanahan's Steakhouse
Denver, Colorado



48" Wine Reserve/Wine Reserve (shown)

CHEERS **WINE RESERVES**

For the serious wine connoisseur, Perlick manufactures the most well-built and skillfully designed wine storage in the world. Perlick's wine reserves are simply designed and built to store wines properly and beautifully, and offer numerous features not found in any competitor models.

Available in 15-, 24-, 48- and 18-inch Shallow-Depth configurations, Perlick wine reserve's fit any room in your home. Each unit features stunning stainless steel interiors, vinyl-coated full-extension wine racks and is available in a variety of door styles.

15-, 24- AND 48-INCH SIGNATURE SERIES



C-SERIES ADA-COMPLIANT 18-INCH SHALLOW-DEPTH SERIES





FEATURES

WINE RESERVES

- Black vinyl-coated full-extension wine shelves are adjustable to accommodate oversized (magnum) bottles
- Powered by a whisper-quiet, commercial-grade compressor
- Convertible door design allows all doors the ability to be converted to wood overlay from stainless steel
- 2-inch thick walls provide superior insulation and minimize vibrations
- Commercial-grade sanitary stainless steel interior
- Zero-clearance hinging allows for abutment with surrounding cabinetry
- Wine Reserve temperature 40 to 68 degrees F (Factory set to 45°F)



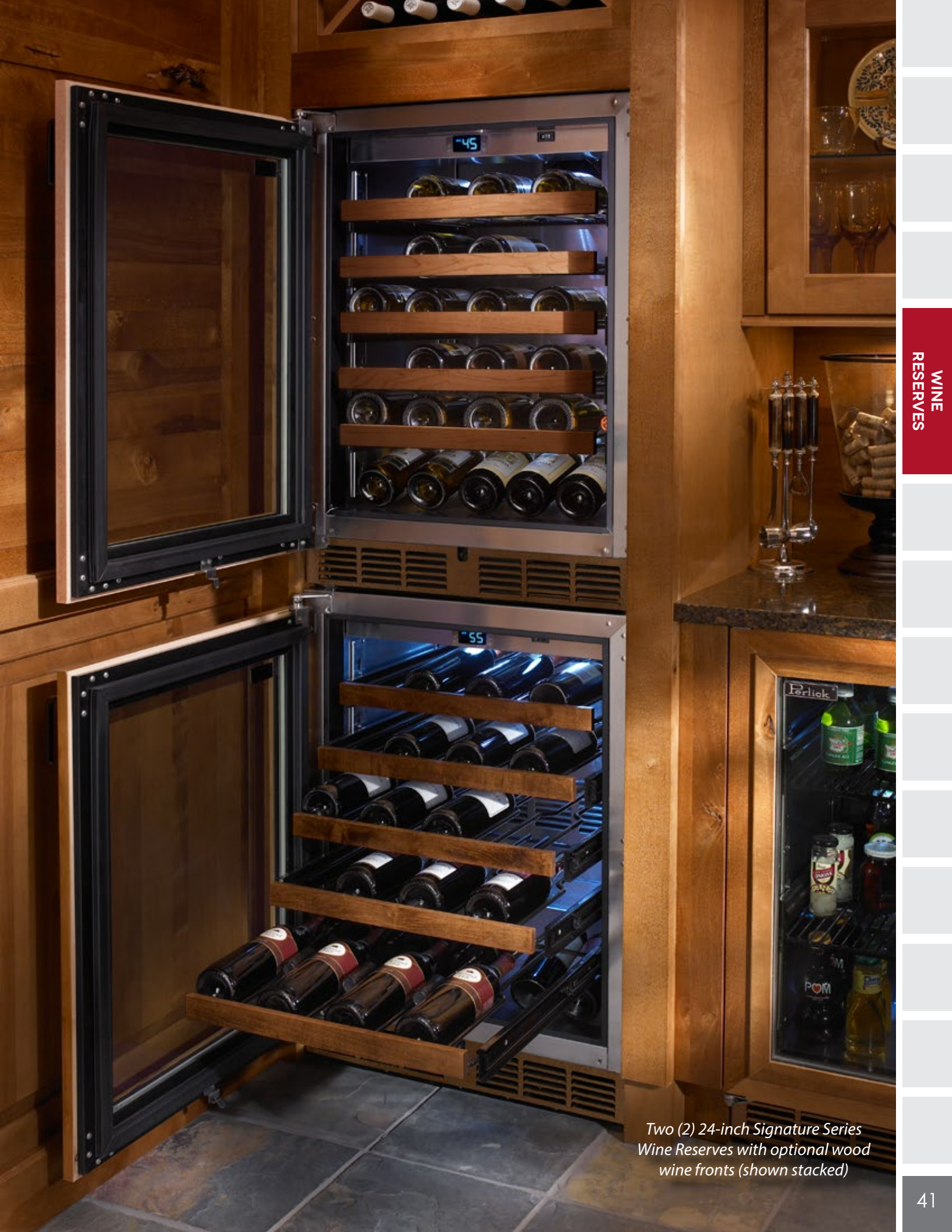
*Wine Reserve temperature:
40 to 68 degrees F to properly chill
white or red wines*



*Low-E, UV-coated glass provides
industry leading insulation
and protection*



*Stacking kits available for all models to
create the perfect custom storage*



Two (2) 24-inch Signature Series Wine Reserves with optional wood wine fronts (shown stacked)

WINE RESERVES

15" SIGNATURE SERIES



HP15WS-3R

HP15WS-1R

HP15WS

Specifications

Overall Width 14-7/8" (37.78 cm)
Overall Height 34-1/4" (86.96 cm)
Overall Depth 24" (60.96 cm)
Capacity 3.0 cu. ft.
Voltage 115/60/1
Amps 2.3
Shipping Weight 175 lbs.

Door Styles

1 - solid stainless steel door
 2 - integrated solid wood overlay door
 3 - stainless steel glass door
 4 - integrated wood overlay glass door

Features

- Five (5) full-extension shelves that hold up to 20 wine bottles (750 ml) with additional room on the bottom; shelves are adjustable to accommodate magnum bottles
- Indoor and outdoor models available



24" SIGNATURE SERIES



HP24WS-3R

HP24WS-1R

HP24WS

Specifications

Overall Width 23-7/8" (60.64 cm)
Overall Height 34-1/4" (86.96 cm)
Overall Depth 24" (60.96 cm)
Capacity 5.2 cu. ft.
Voltage 115/60/1
Amps 2.3
Shipping Weight 222 lbs.

Door Styles

1 - solid stainless steel door
 2 - integrated solid wood overlay door
 3 - stainless steel glass door
 4 - integrated wood overlay glass door

Features

- Five (5) full-extension shelves that hold up to 40 wine bottles (750 ml) with additional room on the bottom; shelves are adjustable to accommodate magnum bottles
- Indoor and outdoor models available



Perlick's Patented

48" SIGNATURE SERIES



HP48WO-S-3L-3R



HP48WW-S-1L-1R



HP48RW-S-3L-3R

HP48*

*Multiple 48" configurations with a wine reserve compartment are available. See page 46 for complete list of models.

Specifications

- Overall Width** 47-7/8" (121.60 cm)
- Overall Height** 34-1/4" (86.96 cm)
- Overall Depth** 24" (60.96 cm)
- Voltage** 115/60/1
- Amps** 3.8
- Shipping Weight** 332 lbs.

Door Styles (Wine Reserve)

- 1 - solid stainless steel door
- 2 - integrated solid wood overlay door
- 3 - stainless steel glass door
- 4 - integrated wood overlay glass door

Features

- Ten (10) full-extension shelves that hold up to 80 wine bottles (750 ml) with additional room on the bottom of the left compartment; shelves are adjustable to accommodate magnum bottles.
- Available with one (WO) or two (WW) temperature zones.

Additional Compartment Information

HP48RW-S Refrigerator/Wine Reserve

- Refrigerator rated for both food and beverage storage
- Refrigerator temperature: 30° to 42° F
- Capacity: 11 cubic ft.
- Door styles available for refrigerator compartment: 1, 2, 3, 4, 5, 6

HP48WW-S Wine Reserve/Wine Reserve

- Unit features two separate temperature zones — giving you the ability to store both red and white wine at different temperatures
- Wine Reserve temperature: 40° to 68° F
- WW model capacity: 11 cu. ft.

HP48WO-S Wine Reserve=Wine Reserve

- Single temperature zone throughout
- Wine Reserve temperature: 40° to 68° F
- WO model capacity: 12 cu. ft.



WINE RESERVES

C-SERIES



HC24WB-3R

HC24WB-1R

HC24WB

Specifications

Overall Width 23-7/8" (60.64 cm)
Overall Height 34-1/4" (86.96 cm)
Overall Depth 24" (60.96 cm)
Capacity 5.3 cu. ft.
Voltage 115/60/1
Amps 2.3
Shipping Weight 215 lbs.

Door Styles

- 1 - solid stainless steel door
- 2 - integrated solid wood overlay door
- 3 - stainless steel glass door
- 4 - integrated wood overlay glass door

Features

- Five (5) full-extension wine shelves that are adjustable to accommodate magnum bottles
- Will hold 40 wine bottles (750 ml) plus room for five additional bottles below



24" ADA-COMPLIANT SERIES



HA24WB-3R

HA24WB-1R

HA24WB

Specifications

Overall Width 23-7/8" (60.64 cm)
Overall Height 32" (81.28 cm)
Overall Depth 24" (60.96 cm)
Capacity 4.8 cu. ft.
Voltage 115/60/1
Amps 2.3
Shipping Weight 190 lbs.

Door Styles

- 1 - solid stainless steel door
- 2 - integrated solid wood overlay door
- 3 - stainless steel glass door
- 4 - integrated wood overlay glass door

Features

- Five (5) full-extension wine shelves that are adjustable to accommodate magnum bottles
- Will hold 40 wine bottles (750 ml) plus room for five additional bottles below



DESIGNINSPIRATION

Do you like the rustic Napa Valley look of wooden wine shelving? We offer wine shelf wood faces for all **Wine Reserves** so you can get the look you want.

18" SHALLOW-DEPTH SERIES



HH24WS-3R



HH24WS-1R

HH24WS

Specifications

Overall Width 23-7/8" (60.64 cm)
Overall Height 32" (81.28 cm)
Overall Depth 18" (45.72 cm)
Capacity 3.1 cu. ft.
Voltage 115/60/1
Amps 2.3
Shipping Weight 185 lbs.

Door Styles

- 1 - solid stainless steel door
- 2 - integrated solid wood overlay door
- 3 - stainless steel glass door
- 4 - integrated wood overlay glass door

Features

- Industry Exclusive 18" depth design
- Five (5) full-extension wine shelves that are adjustable to accommodate magnum bottles
- Will hold 20 wine bottles



AVAILABLE MODELS

15" SIGNATURE SERIES WINE RESERVES

- HP15WS-1L*** 15" wine reserve with solid stainless steel door, hinge left
- HP15WS-2L*** 15" wine reserve with integrated solid wood overlay door, hinge left
- HP15WS-3L*** 15" wine reserve with stainless steel glass door, hinge left
- HP15WS-4L*** 15" wine reserve with integrated wood overlay glass door, hinge left

24" SIGNATURE SERIES WINE RESERVES

- HP24WS-1L*** 24" wine reserve with solid stainless steel door, hinge left
- HP24WS-2L*** 24" wine reserve with integrated solid wood overlay door, hinge left
- HP24WS-3L*** 24" wine reserve with stainless steel glass door, hinge left
- HP24WS-4L*** 24" wine reserve with integrated wood overlay glass door, hinge left

48" SIGNATURE SERIES WINE RESERVES

- HP48RW** 48" refrigerator/wine reserve
- HP48WW** 48" wine reserve/wine reserve (two zone)
- HP48WO** 48" wine reserve=wine reserve (single zone)

Available Door Styles	1	2	3	4	5	6	
Refrigerator	●	●	●	●	●	●	1 - Solid stainless steel door 2 - Solid wood overlay door 3 - Stainless steel glass door 4 - Wood overlay glass door 5 - Solid stainless steel drawers 6 - Solid wood overlay drawers
Wine Reserve	●	●	●	●			

24" C-SERIES WINE RESERVES

- HC24WB-1L*** 24" Commercial-Series wine reserve with solid stainless steel door, hinge left
- HC24WB-2L*** 24" Commercial-Series wine reserve with integrated solid wood overlay door, hinge left
- HC24WB-3L*** 24" Commercial-Series wine reserve with stainless steel glass door, hinge left
- HC24WB-4L*** 24" Commercial-Series wine reserve with integrated wood overlay glass door, hinge left

24" ADA-COMPLIANT SERIES WINE RESERVES

- HA24WB-1L*** 24" ADA-Compliant wine reserve with solid stainless steel door, hinge left
- HA24WB-2L*** 24" ADA-Compliant wine reserve with integrated solid wood overlay door, hinge left
- HA24WB-3L*** 24" ADA-Compliant wine reserve with stainless steel glass door, hinge left
- HA24WB-4L*** 24" ADA-Compliant wine reserve with integrated wood overlay glass door, hinge left

18" SHALLOW-DEPTH SERIES WINE RESERVES

- HH24WS-1L*** 18" Shallow-Depth wine reserve with solid stainless steel door, hinge left
- HH24WS-2L*** 18" Shallow-Depth wine reserve with integrated solid wood overlay door, hinge left
- HH24WS-3L*** 18" Shallow-Depth wine reserve with stainless steel glass door, hinge left
- HH24WS-4L*** 18" Shallow-Depth wine reserve with integrated wood overlay glass door, hinge left

* Also available with right hinge

OPTIONAL WINE RESERVE ACCESSORIES

(L) Factory Installed	Door lock
RS-15-15R	Shelf, refrigerator (15" unit)
RS-15-15W	Shelf, wine (15" unit) SS fronts
RS-24-24R	Shelf, refrigerator (24" unit)
RS-24-24W	Shelf, wine (24" unit) SS fronts
RS-24-24DS	Shelf, divider (24" unit)
RS-18-18R	Shelf, refrigeration (18" depth unit)
RS-18-18W	Shelf, wine (18" Depth unit) SS fronts
65629	Wine bottle display rack (24" unit)
68151-2	Wine bottle display rack (18" depth unit)
67115-15	Wine shelf wood faces (15" unit) (bundle of 5)
67115-24	Wine shelf wood faces (24" unit) (bundle of 6)
HP15	Stacking kit (15" unit)
HP24	Stacking kit (24" unit)
HP48	Stacking kit (48" unit)
66736-15	Casters (15" unit)
66736	Casters (24"/48" unit)
67439L	Hinge kit, left
67439R	Hinge kit, right
65305-1	Door handle (Signature Series)
65870	Door handle (C-Series, ADA-Compliant Series, 18" Shallow-Depth Series)
67164	6" toe kick with riser
67360	6" toe kick with riser (18" Shallow-Depth Series)

MAKE IT YOUR OWN ...

Customize your Perlick product with any of our Perlick accessories. For our full line of accessories, see our Accessories Gallery on pages 84 and 85.



To learn more about wine storage and preservation, visit perlick.com to download a PDF of our Enemies of Wine brochure.

INSPIRE

"We are extraordinarily happy with Perlick's products and our relationship with the company. Perlick's products have managed to make our customers happy, while reducing our operating expenses and increasing our bottom line."

Greg Karl, President and COO
Epicurean Culinary Group



*2-Tap Dispensing head on a
48-inch Refrigerator + Beer
Dispenser unit (shown)*

DRAUGHT BEER DISPENSERS

Enjoy brewery-fresh draught beer at home with a Perlick Signature Series Beer Dispenser. Since before Prohibition, Perlick has been making the finest commercial beverage dispensing equipment on the market. Today, you can avail yourself of a wide range of choices for your home needs — including models with one, two and even three taps. Available in 15-, 24- and 48-inch sizes, you can impress guests with your ability to serve cold draught beer from around the world without leaving your home bar!

15-, 24- AND 48-INCH SIGNATURE SERIES



FEATURES

BEER DISPENSERS

- Available with up to three (3) taps to accommodate multiple types of beer (*48-inch models only*)
- Powered by a whisper-quiet, commercial-grade compressor
- Convertible door design allows all doors the ability to be converted to wood overlay from stainless steel
- 2-inch thick walls provide superior insulation and minimize vibrations
- Commercial-grade sanitary stainless steel interior
- Zero-clearance hinging allows for abutment with surrounding cabinetry
- Portable drainer; no plumbing required
- Complete, self-contained beer system
- Drawers are deep enough to hold gallons of milk and Corona bottles
- Beer Dispenser temperature 30 to 42 degrees F (Factory set to 38°F)



Beer Dispenser temperature: 30 to 42 degrees F to accommodate various types of beer



Convertible door design allows all doors the ability to be converted to wood overlay from stainless steel



15" Signature Series Beer Dispenser is the first 15" Beer Dispenser on the market



(left to right) 24-inch Signature Series Beverage Center with optional Wood Wine Fronts, 15-inch Signature Series Beer Dispenser (shown)

BEER DISPENSERS

15" SIGNATURE SERIES



HP15TS-1R

HP15TS

Specifications

Overall Width 14-7/8" (37.783 cm)
Overall Height 34-1/4" (86.96 cm)
Overall Depth 24" (60.96 cm)
Capacity 3.0 cu. ft.
Voltage 115/60/1
Amps 2.3
Shipping Weight 144 lbs.

Door Styles

1 - solid stainless steel door
 2 - integrated solid wood overlay door

Features

- Capacity to hold one (1) 1/6 barrel
- Beer Dispenser temperature: 30° to 42°F
- Available with one (1) tap
- Includes one (1) of Perlick's patented front-seated sanitary Perl faucet and one (1) Low profile coupler for "D" system keg valves



24" SIGNATURE SERIES



HP24TS-1R2

HP24TS

Specifications

Overall Width 23-7/8" (60.64 cm)
Overall Height 34-1/4" (86.96 cm)
Overall Depth 24" (60.96 cm)
Capacity 5.2 cu. ft.
Voltage 115/60/1
Amps 2.3
Shipping Weight 193 lbs.

Door Styles

1 - solid stainless steel door
 2 - integrated solid wood overlay door

Features

- Capacity to hold one (1) 1/4 barrel or two (2) 1/6 barrels
- Beer Dispenser temperature: 30° to 42°F
- Available with one (1) or two (2) taps
- Each tap includes one (1) of Perlick's patented front-seated sanitary Perl faucet and one (1) Low profile coupler for "D" system keg valves



Perlick's Patented

48" SIGNATURE SERIES



HP48RT-S-3L-1R2



HP48RT-S-1L-1R2



HP48RT-S-5-1R2

HP48RT-S

Specifications

- Overall Width** 47-7/8" (121.60 cm)
- Overall Height** 34-1/4" (86.96 cm)
- Overall Depth** 24" (60.96 cm)
- Capacity** 12 cu. ft.
- Voltage** 115/60/1
- Amps** 3.8
- Shipping Weight** 332 lbs.

Door Styles
(Beer Dispenser)

- 1 - solid stainless steel door
- 2 - integrated solid wood overlay door

Features

- Can be ordered with one (1), two (2) or three (3) taps
- Capacity to hold 1/6, 1/4 and 1/2 barrel configurations
- Beer Dispenser temperature: 30° to 42°F
- Each tap includes one (1) of Perlick's patented front-seated sanitary Perl faucet and one (1) Low profile coupler for "D" system keg valves

Additional Compartment Information

Refrigerator/Beer Dispenser

- Refrigerator rated for both food and beverage storage
- Refrigerator zone includes two (2) full-extension pull-out shelves (drawer models excluded)
- Refrigerator temperature: 30° to 42° F
- Door styles available for refrigerator compartment: 1, 2, 3, 4, 5, 6



AVAILABLE MODELS

15" SIGNATURE SERIES BEER DISPENSER

HP24TS-1L* 24" beer dispenser with solid stainless steel door, hinge left

HP24TS-2L* 24" beer dispenser with integrated solid wood overlay door, hinge left

24" SIGNATURE SERIES BEER DISPENSER

HP24TS-1L* 24" beer dispenser with solid stainless steel door, hinge left

HP24TS-2L* 24" beer dispenser with integrated solid wood overlay door, hinge left

48" SIGNATURE SERIES BEER DISPENSER

HP48RT* 48" refrigerator/beer dispenser

Available Door Styles	1	2	3	4	5	6	
Refrigerator	●	●	●	●	●	●	1 - Solid stainless steel door
Beer Dispenser	●	●					2 - Solid wood overlay door
							3 - Stainless steel glass door
							4 - Wood overlay glass door
							5 - Solid stainless steel drawers
							6 - Solid wood overlay drawers

* Also available with right hinge

OPTIONAL BEER DISPENSER ACCESSORIES

(L) Factory Installed	Door lock
RS-24-24R	Shelf, refrigerator (24" unit)
RS-24-24DS	Shelf, divider (24" unit)
66736-15	Casters (15" unit)
66736	Casters (24"/48" unit)
67439L	Hinge kit, left
67439R	Hinge kit, right
65305-1	Door handle (Signature Series)
63797	Cleaning kit (includes pump, sanitizer and tools to clean the lines)
BLC4	Sanitizer, 4-oz. bottle
BLC32	Sanitizer, 32-oz. bottle
63992	European keg coupler kit
308-40B	Faucet lock
67141-1	Perlick faucet handle
67782	Drip pan for beer dispensers

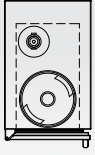
MAKE IT YOUR OWN ...

Customize your Perlick product with any of our Perlick accessories. For our full line of accessories, see our Accessories Gallery on pages 84 and 85.

KEG LAYOUTS

Below you'll find keg configurations for Perlick 15-, 24- and 48-inch Beer Dispensers. Note that 15-inch units can accommodate one (1) tap, 24-inch units can accommodate up to two (2) taps, and 48-inch units can accommodate up to three (3) taps.

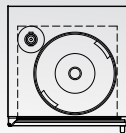
15"



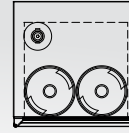
(1) 1/6



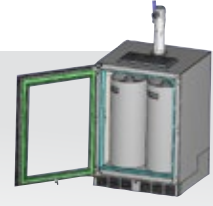
24"



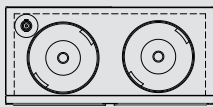
(1) 1/4



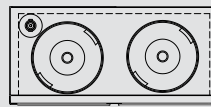
(2) 1/6



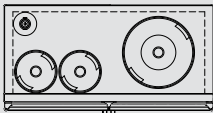
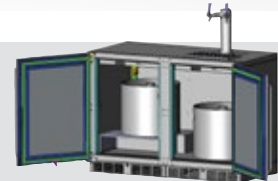
48"



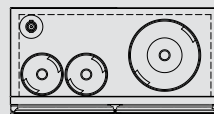
(1) 1/4 + (1) 1/2*



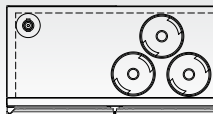
(1) 1/4 + (1) 1/4



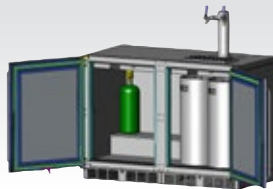
(2) 1/6 + (1) 1/2*



(2) 1/6 + (1) 1/4



(empty) + (3) 1/6



* Please note that a 1/2 barrel can only fit when the refrigerator compartment is a door style. If refrigerator drawers are on the left, a 1/2 barrel will not fit into the cabinet.



To learn more about draught beer, visit perlick.com to download a PDF of our Draught Beer Basics brochure.

INSPIRE

"As the leader in quality undercounter refrigeration, Perlick Corporation has expanded its Signature Series with a line of inventive, 24" Dual-Zone refrigerated units.

The line offers the flexibility to be installed indoors or outdoors – all units, including units configured with glass doors, are UL-rated for outdoor use."

ADEX Awards for Design Excellence

Largest and most prestigious awards program for product and project design in the architectural and design industry



2013 ADEX Winner Signature
Series Dual-Zone Wine Reserve (shown with option 3rd wine
rack in upper and lower compartments)

NEW DUAL-ZONE MODELS

Enjoy your margaritas on the rocks or frozen, store beer, soda and other beverages along with wine for entertaining, and ensure that your white and red wines chill properly at two different temperatures – all with Perlick Dual-Zone.

Indoors or out, enjoy two independently-controlled temperature zones within one footprint with the 24-inch Signature Series Dual-Zone line. These award-winning products let you enjoy the ultimate in food and beverage storage and serving and are UL-rated for both indoor and outdoor use. And as always, they feature the industry-leading style and benefits you've come to expect from your Perlick.

24" DUAL-ZONE
MODELS



DUAL-ZONE
REFRIGERATOR/
WINE RESERVE



DUAL-ZONE
FREEZER/
REFRIGERATOR



DUAL-ZONE
WINE RESERVE



FEATURES

DUAL-ZONE PRODUCTS

- Two separate temperature zones are each independently controlled by state-of-the-art digital controls
- Convertible door design allows all doors/drawers the ability to be converted to wood overlay from stainless steel
- Powered by a whisper-quiet, commercial-grade compressor
- Front-vented, RAPIDcool forced-air refrigeration system
- Commercial-grade stainless steel interior
- Zero-clearance hinging allows for abutment with surrounding cabinetry
- 2-inch thick walls provide superior insulation and minimize vibrations
- Low-E, UV-coated glass provides industry leading insulation and protection
- State-of-the-art digital control module
- 5.0 cubic feet of capacity



NEW Crisp White and Cool Blue LED light (now standard on all Signature Series models)



Features two (2) independently-controlled temperature zones



UL-approved for outdoor use



24" DUAL-ZONE
MODELS

*Signature Series Dual-Zone Freezer/
Refrigerator Drawers*

DUAL-ZONE MODELS

REFRIGERATOR/ FREEZER DRAWERS



HP24ZS-5

HP24ZS

Specifications

Overall Width 23-7/8" (60.64 cm)
Overall Height 34-1/4" (86.96 cm)
Overall Depth 24" (60.96 cm)
Capacity 5.0 cu. ft.
Voltage 115/60/1
Amps 2.3
Shipping Weight 191 lbs.

Door Styles

5 - solid stainless steel drawers
 6 - integrated solid wood overlay drawers

Features

- Refrigerator (top drawer) 30°- 42°F (factory set to 38°F)
- Freezer (bottom drawer) -10- 10°F (factory set to 0°F)



REFRIGERATOR/ WINE RESERVE



HS24CS-3L



HP24CS-1R

HP24CS

Specifications

Overall Width 23-7/8" (60.64 cm)
Overall Height 34-1/4" (86.96 cm)
Overall Depth 24" (60.96 cm)
Capacity 5.0 cu. ft.
Voltage 115/60/1
Amps 2.3
Shipping Weight 203 lbs.

Door Styles

1 - solid stainless steel door
 2 - integrated solid wood overlay door
 3 - stainless steel glass door
 4 - integrated wood overlay glass door

Features

- Wine Reserve temperature (top compartment) 40°- 68°F (factory set to 55°)
- Refrigerator temperature (bottom compartment) 30°- 42°F (factory set to 38°F)
- Two (2) full-extension wine shelves hold total of 14 bottles



WINE RESERVE/ WINE RESERVE



HP24DS-3R

HP24DS-1R

HP24DS

Specifications

Overall Width 23-7/8" (60.64 cm)
Overall Height 34-1/4" (86.96 cm)
Overall Depth 24" (60.96 cm)
Capacity 5.0 cu. ft.
Voltage 115/60/1
Amps 2.3
Shipping Weight 222 lbs.

Door Styles

1 - solid stainless steel door
2 - integrated solid wood overlay door
3 - stainless steel glass door
4 - integrated wood overlay glass door

Features

- Wine Reserve temperature (for both compartments) 40°- 68°F (factory set to 55°F)
- Four and a half (4 1/2) full-extension wine shelves that hold up to 32 wine bottles

DESIGNINSPIRATION

Need to save space but have an array of refrigeration needs? The **indoor/outdoor 24" Dual-Zone Refrigerator/Wine Reserve** lets you store wines at their optimal temperatures while beer, other beverages and food chill separately below – all within the same unit. Perlick is the only manufacturer to offer a refrigerator and a wine reserve within the same 24" footprint.

AVAILABLE MODELS

DUAL-ZONE FREEZER/REFRIGERATOR DRAWERS

HP24ZS-5	24" freezer/refrigerator drawers with solid stainless steel drawers
HP24ZS-6	24" freezer/refrigerator drawers with solid wood overlay drawers

DUAL-ZONE REFRIGERATOR/WINE RESERVE

HP24CS-1L*	24" refrigerator/wine reserve with solid stainless steel door, hinge left
HP24CS-2L*	24" refrigerator/wine reserve with integrated solid wood overlay door, hinge left
HP24CS-3L*	24" refrigerator/wine reserve with stainless steel glass door, hinge left
HP24CS-4L*	24" refrigerator/wine reserve with solid wood overlay glass door, hinge left

DUAL-ZONE WINE RESERVE

HP24DS-1L*	24" wine reserve/wine reserve with solid stainless steel door, hinge left
HP24DS-2L*	24" wine reserve/wine reserve with integrated solid wood overlay door, hinge left
HP24DS-3L	24" wine reserve/wine reserve with stainless steel glass door, hinge left
HP24DS-4L	24" wine reserve/wine reserve with solid wood overlay glass door, hinge left

* Also available with right hinge

OPTIONAL DUAL-ZONE ACCESSORIES

(L) Factory Installed	Door lock
RS-24-24R	Shelf, refrigerator (24" unit)
RS-24-24WD	Shelf, wine, dual-zone (24" unit)
RS-24-24DS	Shelf, divider (24" unit)
HP24	Stacking kit (24" unit)
66736	Casters (24"/48" unit)
67439L	Hinge kit, left
67439R	Hinge kit, right
65305-1	Door handle (Signature Series)

MAKE IT YOUR OWN ...

Customize your Perlick product with any of our Perlick accessories. For our full line of accessories, see our Accessories Gallery on pages 84 and 85.

Introducing **DUAL-ZONE**

SMALL FOOTPRINT, **BIG DESIGN AND FEATURES**

The new 24" Signature Series Dual-Zone line adds three industry-exclusive products and 40 more configurations to Perlick's already impressive residential product line-up.

In fact, Perlick is the only manufacturer to offer 24" Dual-Zone units UL-rated for both indoor and outdoor use.

Enjoy Perlick's Dual-Zone line of products, which offers big design inspiration for both indoors and outdoors as well as industry-exclusive features within one 24" footprint.

24" DUAL-ZONE WINE RESERVE - With one zone for red wines and another for whites, this industry-exclusive model features programmable ranges of 40 - 68°F for each zone to chill vintages to their optimal serving temperature. The zones are interchangeable/reversible to accommodate your wine preferences and storage needs. Store up to 32 wine bottles on the adjustable shelves. This model has been awarded a 2013 ADEX Gold Award for Design Excellence.

24" DUAL-ZONE FREEZER/REFRIGERATOR DRAWERS - The bottom drawer stores frozen goods while the top drawer perfectly chills in the industry's first indoor and outdoor freezer/refrigerated drawer model. The freezer temperature range is -10 - 10°F and the refrigerator temperature range is 30 - 42°F. The freezer drawer is equipped with an automatic hot gas defrost for maintenance-free defrosting. Chill both your refrigerated and frozen goods in just one unit, indoors or out. This model has been awarded a 2013 ADEX Platinum Award for Design Excellence.

24" DUAL-ZONE REFRIGERATOR/WINE RESERVE - This model features the industry-exclusive ability to properly store food and other beverages as well as wine in two independently controlled temperature zones. The refrigerator zone is 30 - 42°F and the wine reserve zone range is 40 - 68°F. The wine reserve capacity is 14 wine bottles, while the refrigeration capacity equivalent is 41 cans (12 oz.). It's never been easier to store all your foods, beers, other beverages and wines together in one unit for entertaining.



INSPIRE

“Perlick’s innovative ideas help me provide excellent solutions for my clients. Their 18-inch Shallow-Depth Series beverage center can easily fit into smaller space wet bars and entertainment centers. I’ve always been a fan of Perlick’s “top hat” clear ice maker which showcases their ability to deliver impeccable quality with high style and flair.”

Marie Lail Blackburn, CMKBD
Principal, MLBdesigngroup

15-inch Clear Ice Maker (shown)

BRRRR! CLEAR ICE MAKERS

Measuring a mere 15 inches wide, the Perlick Clear Ice Maker can create up to 50 pounds of crystal-clear ice in a single day (and stores up to 22 pounds), fulfilling even the most generous home entertaining needs.

The distinctive top hat shape of each cube is more than just attractive: The shape is part of Perlick's method in ensuring that each cube is absolutely free of impurities, for a flawless look and taste. This unique shape also prevents the ice from clumping, guaranteeing that you always serve your guests the perfect beverage every time.

15-INCH SIGNATURE
SERIES



ADA-COMPLIANT
SERIES



FEATURES

CLEAR ICE MAKERS

- Up to 55 lbs. of ice production per 24 hours
- Can store up to 22 lbs. of ice
- Unique top hat shape prevents ice from clumping
- Quiet, efficient operation
- Easily disassembled water circuit for easy cleaning
- Optional drain pump
- Optional wood overlay door panel to match surrounding cabinetry
- Stainless steel exterior and elegant stainless steel polished handle
- Ice Makers carry a full one (1) year warranty



Distinctive top hat shape of each cube is more than attractive; the shape ensures that each cube is absolutely free of impurities for flawless look and taste.



Durable stainless steel exterior and elegant stainless steel polished handle



Can store up to 22 lbs. of ice

CLEAR ICE MAKERS

15" SIGNATURE SERIES



H50IMS

Specifications

Overall Width 14-7/8" (37.78 cm)
Overall Height 33-1/2" (85.09 cm)
Overall Depth 22-5/8" (57.47 cm)
Storage Capacity 22 lbs. of ice
Voltage 115/60/1
Amps 3.4
Shipping Weight 115 lbs.

Operation
Limits/Plumbing

Ambient Temp. Range: 45°-100°F
Water Temp. Range: 45°- 95°F
Voltage Range: 104V-127V
Water Pressure: 7-113 psig

Plumbing: 1/2" FTP Water Inlet, 1/2" FPT Drain

Features

- Ice production of up to 55 lbs. per 24 hours
- UL approved for outdoor use
- Optional drain pump
- R-134A refrigerant



ADA-COMPLIANT SERIES



H50IMS-AD

Specifications

Overall Width 14-7/8" (37.78 cm)
Overall Height 31-1/2" (80.01 cm)
Overall Depth 22-5/8" (57.47 cm)
Storage Capacity 22 lbs. of ice
Voltage 115/60/1
Amps 3.4
Shipping Weight 115 lbs.

Operation
Limits/Plumbing

Ambient Temp. Range: 45°-100°F
Water Temp. Range: 45°- 95°F
Voltage Range: 104V-127V
Water Pressure: 7-113 psig

Plumbing: 1/2" FTP Water Inlet, 1/2" FPT Drain

Features

- Ice production of up to 55 lbs. per 24 hours
- UL approved for outdoor use
- Optional drain pump
- R-134A refrigerant



AVAILABLE MODELS

15" SIGNATURE SERIES CLEAR ICE MAKER

H5OIMS-L	15" clear ice maker with solid stainless steel door, hinge left
H5OIMS-R	15" clear ice maker with solid stainless steel door, hinge right
H5OIMW	15" clear ice maker with solid wood overlay door, hinge left or right

15" ADA-COMPLIANT SERIES CLEAR ICE MAKER

H5OIMS-ADL	15" ADA-Compliant clear ice maker with solid stainless steel door, hinge left
H5OIMS-ADR	15" ADA-Compliant clear ice maker with solid stainless steel door, hinge right
H5OIMW-AD	15" ADA-Compliant clear ice maker with solid wood overlay door, hinge left or right

OPTIONAL CLEAR ICE MAKER ACCESSORIES

63802	Ice Maker Pump
68117-1	Optional Stainless Steel Toe Kick

MAKE IT YOUR OWN ...

Customize your Perlick product with any of our Perlick accessories. For our full line of accessories, see our Accessories Gallery on pages 84 and 85.

TIP YOUR CAP TO **PERFECT ICE**

Each ice cube features a distinctive and stylish top hat shape which, like the Clear Ice Maker, is more than just attractive — it serves multiple functions. The "top hat" shaped ice is part of Perlick's method of ensuring that each cube is absolutely free of impurities, for a flawless look and taste.

The unique shape is also extremely functional because the top hat design prevents the ice from clumping, guaranteeing that the perfect beverage is served every time.





CLEAR ICE
MAKERS

15-inch Clear Ice Maker (shown)

INSPIRE

"The most well built commercial product for the residential home."

Mike Placido , Assistant Sales Manager
Atherton Appliance & Kitchens



*15-inch Signature Series Clear Ice Maker
(left) and 24-inch Signature Series Dual-Zone
Outdoor Refrigerator/Freezer Drawers (right)*

GATHER

OUTDOOR MODELS

Designed to complement any outdoor kitchen or entertainment space, Perlick's line of Signature Series and C-Series Outdoor units feature unprecedented quality and durability.

The Signature Series Outdoor line includes a freezer, refrigerator, wine reserve, beverage center and 1-, 2- or 3-tap beer dispenser to complement any outdoor entertainment area.

Perlick now offers an outdoor refrigerator as part of its C-Series product line. These stylish and functional units can hold up to 108 bottles of beer with room left over to store food for the grill.

15-, 24- AND 48-INCH SIGNATURE SERIES



DUAL-ZONE SERIES



C-SERIES



OUTDOOR MODELS

15" SIGNATURE SERIES



HP15T0-1R



HP15R0-3R



HP15B0-3R



HP15W0-3R



HP15R0-1R



HP15R0-5

HP15

Specifications

Overall Width 14-7/8" (37.783 cm)
Overall Height 34-1/4" (86.96 cm)
Overall Depth 24" (60.96 cm)
Capacity 3.0 cu. ft.
Voltage 115/60/1
Amps 2.3
Shipping Weight 175 lbs.

Available Models

- Refrigerator
- Wine Reserve
- Beverage Center
- Beer Dispenser

Door Styles

- 1 - solid stainless steel door
- 2 - integrated solid wood overlay door
- 3 - stainless steel glass door
- 4 - integrated wood overlay glass door
- 5 - stainless steel drawers
- 6 - integrated wood overlay drawers



Refrigerator

Temperature 30° to 42° F
Door Styles Available 1, 2, 3, 4, 5, 6

- **Industry Exclusive** Refrigerator Drawers tall enough to store milk gallons and Corona bottles
- Two (2) **Industry Exclusive** full-extension pullout shelves

Beverage Center

Temperature 30° to 48° F
Door Styles Available 1, 2, 3, 4

- Two (2) wine shelves, one (1) **Industry Exclusive** full-extension pullout shelf; each wine shelf holds four (4) bottles of wine

Wine Reserve

Temperature 40° to 68° F
Door Styles Available 1, 2, 3, 4

- Five (5) wine shelves to hold a total of 20 wine bottles
- Shelves are removable and adjustable to accommodate magnum bottles

Beer Dispenser

Temperature 30° to 42° F
Door Styles Available 1, 2

- Complete, self-contained beer system
- Portable drainer; no plumbing required
- Will hold one 1/6 keg

24" SIGNATURE SERIES



HP24TO-1R2



HP24RO-3R



HP24BO-3R



HP24WO-3R



HP24FO-5



HP24RO-1R

HP24

Specifications

- Overall Width** 23-7/8" (60.64 cm)
- Overall Height** 34-1/4" (86.96 cm)
- Overall Depth** 24" (60.96 cm)
- Capacity** 5.2 cu. ft.
- Voltage** 115/60/1
- Amps** 2.3
- Shipping Weight** 191 - 222 lbs.

Available Models

- Freezer
- Refrigerator
- Wine Reserve
- Beverage Center
- Beer Dispenser

Door Styles

- 1 - solid stainless steel door
- 2 - integrated solid wood overlay door
- 3 - stainless steel glass door
- 4 - integrated wood overlay glass door
- 5 - stainless steel drawers
- 6 - integrated wood overlay drawers



Freezer

- Temperature** -10° to 10° F
- Door Styles Available** 1, 2, 5, 6

- Two (2) *Industry Exclusive* full-extension pullout shelves (drawer models excluded)

Refrigerator

- Temperature** 30° to 42° F
- Door Styles Available** 1, 2, 3, 4, 5, 6

- *Industry Exclusive* Refrigerator Drawers tall enough to store milk gallons and Corona bottles
- Two (2) *Industry Exclusive* full-extension pullout shelves (drawer models excluded)

Beverage Center

- Temperature** 30° to 48° F
- Door Styles Available** 1, 2, 3, 4

- Two (2) wine shelves, one (1) *Industry Exclusive* full-extension pullout shelf; each wine shelf holds eight (8) bottles of wine

Wine Reserve

- Temperature** 40° to 68° F
- Door Styles Available** 1, 2, 3, 4

- Five (5) wine shelves to hold a total of 40 wine bottles
- Shelves are removable and adjustable to accommodate magnum bottles

Beer Dispenser

- Temperature** 30° to 42° F
- Door Styles Available** 1, 2

- Complete, self-contained beer system
- Portable drainer; no plumbing required
- Will hold one 1/4 keg or two 1/6 kegs

OUTDOOR MODELS

48" SIGNATURE SERIES



HP48RR-0-5-5



HP48RT-0-3L-1R2

HP48* **Multiple 48" outdoor configurations are available. See page 77 for complete list of models.*

Overall Width 41-7/8" (121.603 cm)
Overall Height 34-1/4" (86.96 cm)
Overall Depth 24" (60.96 cm)
Capacity 12.0 cu. ft.
Voltage 115/60/1
Amps 2.3
Shipping Weight 360 lbs.

Door Styles

- 1 - solid stainless steel door
- 2 - integrated solid wood overlay door
- 3 - stainless steel glass door
- 4 - integrated wood overlay glass door
- 5 - stainless steel drawers
- 6 - integrated wood overlay drawers

Features

- Low-E, UV-coated glass provides industry-leading insulation and protection (glass door option)
- Interior digital display is located on the inside of the unit and is therefore protected from the elements

Refrigerator=Refrigerator

Refrigerator=Refrigerator **HP48RR-O**

- **Industry Exclusive** refrigerator drawers tall enough to store milk gallons and Corona bottles
- Two (2) **Industry Exclusive** full-extension pullout shelves (per zone, drawer models excluded)
- Refrigerator temperature: 30° to 42°F
- Refrigerator door styles: 1, 2, 3, 4, 5, 6

Refrigerator/Beer Dispenser

Refrigerator/Beer Dispenser **HP48RT-O**

- Beer dispenser is a complete, self-contained beer system; includes a portable drainer, so no plumbing is required
- Available with one (1), two (2) or three (3) taps to accommodate up to three different types of beer
- Will hold a variety of keg configurations (see page 55 for diagrams)
- Refrigerator zone temperature: 30° to 42°F
- Beer Dispenser zone temperature: 30° to 42°F
- Refrigerator zone door styles: 1, 2, 3, 4, 5, 6
- Beer Dispenser zone door styles: 1, 2





DESIGNINSPIRATION

Need refrigeration for your outdoor kitchen or entertaining space? Turn to Perlick. Perlick boasts the widest selection of outdoor models in the industry. Available in 15-, 24- and 48-inch configurations, there is sure to be a Perlick that will meet your food and beverage refrigeration needs.

C-SERIES



HC24RO-1R



HC24RO-5

HC24RO

Overall Width 23-7/8" (60.64 cm)
Overall Height 34-1/4" (86.96 cm)
Overall Depth 24" (60.96 cm)
Capacity 5.3 cubic ft.
Voltage 115/60/1
Amps 3.8
Shipping Weight 183 lbs.

Door Styles

- 1 - solid stainless steel door
- 2 - integrated solid wood overlay door
- 5 - stainless steel drawers
- 6 - integrated wood overlay drawers

Features

- Refrigerator rated for both food and beverage storage
- Best in Class 700-Btu commercial-grade compressor



AVAILABLE MODELS

15" OUTDOOR SIGNATURE SERIES REFRIGERATOR

- HP15RO-1L*** 15" refrigerator with solid stainless steel door, hinge left
- HP15RO-2L*** 15" refrigerator with integrated solid wood overlay door, hinge left
- HP15RO-3L*** 15" refrigerator with stainless steel glass door, hinge left
- HP15RO-4L*** 15" refrigerator with integrated wood overlay glass door, hinge left
- HP15RO-5** 15" refrigerator with solid stainless steel drawers
- HP15RO-6** 15" refrigerator with integrated solid wood overlay drawers

15" OUTDOOR SIGNATURE SERIES BEVERAGE CENTER

- HP15BO-1L*** 15" beverage center with solid stainless steel door, hinge left
- HP15BO-2L*** 15" beverage center with integrated solid wood overlay door, hinge left
- HP15BO-3L*** 15" beverage center with stainless steel glass door, hinge left
- HP15BO-4L*** 15" beverage center with integrated wood overlay glass door, hinge left

15" OUTDOOR SIGNATURE SERIES WINE RESERVE

- HP15WO-1L*** 15" wine reserve with solid stainless steel door, hinge left
- HP15WO-2L*** 15" wine reserve with integrated solid wood overlay door, hinge left
- HP15WO-3L*** 15" wine reserve with stainless steel glass door, hinge left
- HP15WO-4L*** 15" wine reserve with integrated wood overlay glass door, hinge left

15" OUTDOOR SIGNATURE SERIES BEER DISPENSER

- HP15TO-1L*** 15" beer dispenser with solid stainless steel door, hinge left
- HP15TO-2L*** 15" beer dispenser with integrated solid wood overlay door, hinge left

24" OUTDOOR SIGNATURE SERIES FREEZER

- HP24FO-1L*** 24" freezer with solid stainless steel door, hinge left
- HP24FO-2L*** 24" freezer with integrated solid wood overlay door, hinge left
- HP24FO-5** 24" freezer with solid stainless steel drawers
- HP24FO-6** 24" freezer with integrated solid wood overlay drawers

24" OUTDOOR SIGNATURE SERIES REFRIGERATOR

- HP24RO-1L*** 24" refrigerator with solid stainless steel door, hinge left
- HP24RO-2L*** 24" refrigerator with integrated solid wood overlay door, hinge left
- HP24RO-3L*** 24" refrigerator with stainless steel glass door, hinge left
- HP24RO-4L*** 24" refrigerator with integrated wood overlay glass door, hinge left
- HP24RO-5** 24" refrigerator with solid stainless steel drawers
- HP24RO-6** 24" refrigerator with integrated solid wood overlay drawers

24" OUTDOOR SIGNATURE SERIES BEVERAGE CENTER

- HP24BO-1L*** 24" beverage center with solid stainless steel door, hinge left
- HP24BO-2L*** 24" beverage center with integrated solid wood overlay door, hinge left
- HP24BO-3L*** 24" beverage center with stainless steel glass door, hinge left
- HP24BO-4L*** 24" beverage center with integrated wood overlay glass door, hinge left

24" OUTDOOR SIGNATURE SERIES WINE RESERVE

- HP24WO-1L*** 24" wine reserve with solid stainless steel door, hinge left
- HP24WO-2L*** 24" wine reserve with integrated solid wood overlay door, hinge left
- HP24WO-3L*** 24" wine reserve with stainless steel glass door, hinge left
- HP24WO-4L*** 24" wine reserve with integrated wood overlay glass door, hinge left

24" OUTDOOR SIGNATURE SERIES BEER DISPENSER

- HP24TO-1L*** 24" beer dispenser with solid stainless steel door, hinge left
- HP24TO-2L*** 24" beer dispenser with integrated solid wood overlay door, hinge left

48" OUTDOOR SIGNATURE SERIES

- HP48RR-O** 48" refrigerator=refrigerator
- HP48RT-O** 48" refrigerator/beer dispenser

Available Door Styles	1	2	3	4	5	6	
Refrigerator	●	●	●	●	●	●	1 - Solid stainless steel door
Beer Dispenser	●	●					2 - Solid wood overlay door
							3 - Stainless steel glass door
							4 - Wood overlay glass door
							5 - Solid stainless steel drawers
							6 - Solid wood overlay drawers

* Also available with right hinge

24" C-SERIES REFRIGERATOR

- HC24RO-1L*** 24" Commercial-Series refrigerator with solid stainless steel door, hinge left
- HC24RO-2L*** 24" Commercial-Series refrigerator with integrated solid wood overlay door, hinge left
- HC24RO-5** 24" Commercial-Series refrigerator with solid stainless steel drawers
- HC24RO-6** 24" Commercial-Series refrigerator with integrated solid wood overlay drawers




15" SIGNATURE SERIES CLEAR ICE MAKER

- HMOIMS-L** 15" clear ice maker with solid stainless steel door, hinge left
- HMOIMS-R** 15" clear ice maker with solid stainless steel door, hinge right
- HMOIMW** 15" clear ice maker with solid wood overlay door, hinge left or right

15" ADA-COMPLIANT SERIES CLEAR ICE MAKER

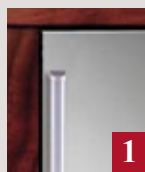
- HMOIMS-ADL** 15" ADA-Compliant clear ice maker with solid stainless steel door, hinge left
- HMOIMS-ADR** 15" ADA-Compliant clear ice maker with solid stainless steel door, hinge right
- HMOIMW-AD** 15" ADA-Compliant clear ice maker with solid wood overlay door, hinge left or right

QUICK REFERENCE

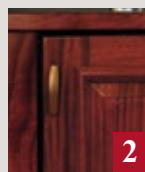
	Model & Series	Overall Dimensions	Shelving	Capacity	Door Styles Available	UL Rated for Outdoor
REFRIGERATOR	  15" Signature Series HP15RS HP15RO	14-7/8"W x 24" x 34-1/4"	2 full-extension pullout shelves*	3.0 cu. ft.	1 4 2 5 3 6	HP15RO
	   24" Signature Series HP24RS HP24RO	23-7/8" x 24" x 34-1/4"	2 full-extension pullout shelves*	5.2 cu. ft.	1 4 2 5 3 6	HP24RO
	    24" C-Series HC24RB	23-7/8" x 24" x 34-1/4"	2 full-extension pullout shelves*	5.3 cu. ft.	1 4 2 5 3 6	HC24RO
	    ADA-Compliant Series HA24RB	23-7/8" x 24" x 32"	2 full-extension pullout shelves*	4.8 cu. ft.	1 4 2 5 3 6	N/A
	    18" Shallow-Depth Series HH24RS	23-7/8" x 18" x 32"	2 full-extension pullout shelves*	3.8 cu. ft.	1 3 2 4	N/A
	  15" Signature Series HP15BS HP15BO	14-7/8"W x 24" x 34-1/4"	1 full-extension pullout shelf + 2 wine shelves	3.0 cu. ft.	1 3 2 4	HP15BO
BEVERAGE CENTER	   24" Signature Series HP24BS HP24BO	23-7/8" x 24" x 34-1/4"	1 full-extension pullout shelf + 2 wine shelves	5.2 cu. ft.	1 3 2 4	HP24BO
	    24" C-Series HC24BB	23-7/8" x 24" x 34-1/4"	1 full-extension pullout shelf + 2 wine shelves	5.3 cu. ft.	1 3 2 4	N/A
	    ADA-Compliant Series HA24BB	23-7/8" x 24" x 32"	1 full-extension pullout shelf + 2 wine shelves	4.8 cu. ft.	1 3 2 4	N/A
	    18" Shallow-Depth Series HH24BS	23-7/8" x 18" x 32"	1 full-extension pullout shelf + 2 wine shelves	3.8 cu. ft.	1 3 2 4	N/A

DOOR STYLES FOR EVERY DESIGN

Perlick has a variety of door styles to complement any design. The numbered images below coordinate with the "Door Styles Available" column in the Quick Reference chart. All doors can be hinged left or right, and wood overlay doors are fully integrated for a seamless look.



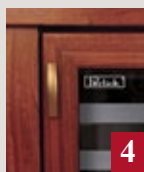
1
Solid Stainless Steel Door



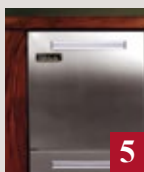
2
Solid Wood Overlay



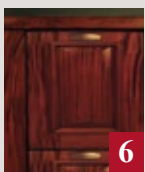
3
Stainless Steel Glass Door



4
Wood Overlay Glass Door



5
Solid Stainless Steel Drawers









6
Solid Wood Overlay Drawers

	Model & Series	Overall Dimensions	Shelving	Capacity	Door Styles Available	UL Rated for Outdoor
WINE RESERVE	 15" Signature Series HP15WS HP15WO	14-7/8"W x 24" x 34-1/4"	5 full-extension pullout wine shelves	3.0 cu. ft. (20 wine bottles)	1 2 3 4	HP15WO
	 24" Signature Series HP24WS HP24WO	23-7/8" x 24" x 34-1/4"	5 full-extension pullout wine shelves	5.2 cu. ft. (40 wine bottles)	1 3 2 4	HP24WO
	 24" C-Series HC24WB	23-7/8" x 24" x 34-1/4"	5 full-extension pullout wine shelves	5.3 cu. ft. (40 wine bottles)	1 3 2 4	N/A
	 ADA-Compliant Series HA24WB	23-7/8" x 24" x 32"	5 full-extension pullout shelves	4.8 cu. ft. (40 wine bottles)	1 3 2 4	N/A
	 18" Shallow-Depth Series HH24WS	23-7/8" x 18" x 32"	5 full-extension pullout wine shelves	3.8 cu. ft. (20 wine bottles)	1 3 2 4	N/A
BEER DISPENSER	 15" Signature Series HP15TS HP15TO	14-7/8"W x 24" x 34-1/4"	Not Available	3.0 cu. ft. (one 1/6 keg)	1 2	HP15TO
	 24" Signature Series HP24TS HP24TO	23-7/8" x 24" x 34-1/4"	Not Available	5.2 cu. ft. (up to 1/4 keg)	1 2	HP24TO
FREEZER	 24" Signature Series HP24FS HP24FO	23-7/8" x 24" x 34-1/4"	2 full-extension pullout shelves*	5.2 cu. ft.	1 5 2 6	HP24FO
	 ADA-Compliant Series HA24FB	23-7/8" x 24" x 32"	2 full-extension pullout shelves*	4.8 cu. ft.	1 5 2 6	N/A
CLEAR ICE MAKER	 15" Signature Series H50IMS	14-7/8" x 22-5/8" x 33-1/2"	Not Available	22 lbs. of ice (produces 55 lbs. of ice/day)	1 2	H50IMS
	 ADA-Compliant Series H50IMS-AD	14-7/8" x 22-5/8" x 31-1/2"	Not Available	22 lbs. of ice (produces 55 lbs. of ice/day)	1 2	H50IMS-AD
NEW DUAL-ZONE MODELS	 24" Refrigerator/ Freezer Drawers HP24ZS/HP24ZO	23-7/8" x 24" x 34-1/4"	Not Available (Drawer Model)	5.2 cu. ft.	5 6	HP24ZO
	 24" Refrigerator/ Wine Reserve HP24CS/HP24CO	23-7/8" x 24" x 34-1/4"	1 full-extension pullout shelf + 2 wine shelves	5.0 cu. ft.	1 3 2 4	HP24CO
	 24" Wine Reserve/ Wine Reserve HP24DS/HP24DO	23-7/8" x 24" x 34-1/4"	4 + 1/2 wine shelves	5.0 cu. ft.	1 3 2 4	HP24DO

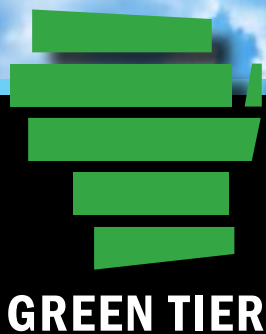
* Door models only; drawer models excluded

QUICK
REFERENCE

QUICK REFERENCE

	Model & Series	Overall Dimensions	Shelving	Capacity	Door Styles Available		UL Rated for Outdoor
					Left	Right	
48-INCH MODELS	 48" Signature Series Freezer/Refrigerator HP48FR	47-7/8"W x 24" x 34-1/4"	2 full-extension pullout shelves (L)* 2 Full-extension pullout shelves (R)*	11 cu. ft.	1 5 2 6	1 4 2 5 3 6	N/A
	 48" Signature Series Refrigerator/Refrigerator HP48RR	47-7/8"W x 24" x 34-1/4"	2 full-extension pullout shelves (L)* 2 Full-extension pullout shelves (R)*	12 cu. ft.	1 4 2 5 3 6	1 4 2 5 3 6	HP48RR-0
	 48" Signature Series Refrigerator/Beverage Center HP48RB	47-7/8"W x 24" x 34-1/4"	2 full-extension pullout shelves (L)* 2 full-extension wine shelves + 1 full-extension pullout shelf (R)	12 cu. ft.	1 4 2 5 3 6	1 3 2 4	N/A
	 48" Signature Series Refrigerator/Beer Dispenser HP48RT	47-7/8"W x 24" x 34-1/4"	2 full-extension pullout shelves (L)*	12 cu. ft.	1 4 2 5 3 6	1 2	HP48RT-0
	 48" Signature Series Refrigerator/Wine Reserve HP48RW	47-7/8"W x 24" x 34-1/4"	2 full-extension pullout shelves (L)* 6 full-extension wine shelves (R)	11 cu. ft.	1 4 2 5 3 6	1 3 2 4	N/A
	 48" Signature Series Wine Reserve/Wine Reserve HP48WW/WO	47-7/8"W x 24" x 34-1/4"	4 full-extension wine shelves (L) 6 full-extension wine shelves (R)	11 cu. ft. (WW) 12 cu. ft. (WO)	1 3 2 4	1 3 2 4	N/A

* Door models only; drawer models excluded



“Perlick is about innovation and inspiration. We strive to produce the best products through inspired styling and use of the highest quality materials and processes resulting in the best performing undercounter refrigeration in the market.”

Tim Ebner, VP of Sales and Marketing, Perlick Corporation

DOING OUR PART

At Perlick, we take great pride in the designations and certifications we’ve earned for our green practices. We believe that environmentally friendly manufacturing is just as important as the products that we put our name on.

Our commitment to environmental initiatives has earned us certification by the **Wisconsin Green Tier Program**. This designation is given to manufacturers that continually evolve their efforts to meet high standards set toward superior environmental performance. We take extra steps to run our facility in an environmentally conscious manner, including housing our own water purification system in-house to ensure the water we send out of the plant is as clean as the water coming in.

Perlick is proud to offer a wide variety of products that have earned the **Energy Star** label. These products are identified as energy-efficient by the EPA because of their reduced greenhouse gas emissions and their significant energy savings nationwide. When you see the Energy Star label on one of our many Perlick products, you know that you are purchasing a product that is energy-efficient without sacrificing features and performance.

Several Perlick products also meet **Consortium for Energy Efficiency** (CEE) specifications for energy performance. These residential initiatives promote greater availability of high-efficiency appliances, lighting, HVAC systems and gas heating to consumers. CEE identifies energy saving opportunities in the residential market, as the products and equipment it covers counts for a sizable portion of a typical household’s energy bill.

Products that have earned the Energy Star label are clearly marked throughout this design guide.



(From upper left counterclockwise): Two (2) 24-inch Wine Reserves (stacked), 48-inch Refrigerator/ Beverage Center, 15-inch Beer Dispenser– All with custom wood overlay

MAKE IT YOUR OWN DOOR STYLES

We love stainless steel, but that doesn't mean you have to. Perlick doors and drawers are manufactured to readily accept a fully-integrated wood panel, which means you can seamlessly blend any of our units into your new or existing cabinetry. Wood panels are built to Perlick specifications by your cabinetmaker, which means you are in full control of the wood, design and finish of your doors and drawers.

Perlick is the *only* manufacturer to feature a Convertible Door Design, which means any of our doors can be converted to wood overlay from stainless steel. As the look of your space changes, so can the look of your Perlick. Wood overlays are simple to install, which means you can change out panels to match new cabinetry or decor. Visit perlick.com to download wood overlay templates and create your custom look today.

AVAILABLE DOOR STYLES



1 Solid Stainless Steel Door



2 Solid Wood Overlay Door



3 Stainless Steel Glass Door



4 Wood Overlay Glass Door



5 Stainless Steel Drawers



6 Wood Overlay Drawers

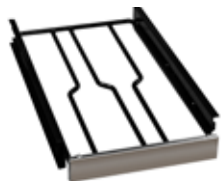
MAKE IT YOUR OWN ACCESSORIES

Perlick offers an array of accessories to complement any of our quality refrigeration products. Whether it is one of our exclusive martini shelves, stacking kits or our commercial-quality tapping products, we have the right accessories to put the personal touch on your Perlick. Each accessory is designed for each application and maintains the highest quality and craftsmanship.

SHELVING



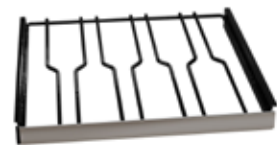
RS-15-15R Shelf,
Refrigerator 15"



RS-15-15WS Shelf, Wine
15" (stainless steel front)



RS-24-24R Shelf,
Refrigerator 24"



RS-24-24WS Shelf, Wine
24" (stainless steel front)



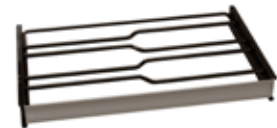
RS-24-24M Shelf,
Martini Rack 24"



RS-24-24DS Shelf,
Divider



RS-18-18R Shelf,
Refrigerator (18" Depth)

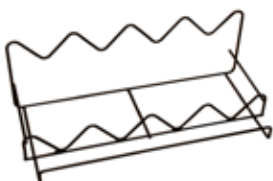


RS-18-18W Shelf, Wine
(18" Depth)



RS-24-24WD Shelf,
Dual-Zone Wine 24"

DISPLAYS / WINE SHELF FRONTS



65629 Wine Bottle
Display Rack 24"



67115-15 Wine Shelf
wood faces 15" (6)



67115-24 Wine Shelf
wood faces 24" (6)

HANDLES / HARDWARE

65305-4 Drawer Handle (15" Signature Series Only)



65305-1 Door Handle (Signature Series Only)



65870 Door Handle (C-Series, ADA-Compliant, Shallow-Depth Only)



(L) Factory Installed
Door Lock



66736 Casters (add -15 for 15", -24 for 24" units)



67439L/67439R Left (L)
or Right (R) Door Hinge Kit



HP15/HP24/HP48
Stacking Kits

TOE KICKS / RISERS



67164 6" Toe Kick Kit for
ADA-Compliant Series



67360 6" Toe Kick Kit for
18" Shallow-Depth Series



68117-1 Optional SS Toe
Kick for Ice Makers

BEER DISPENSER / ICE MAKER ACCESSORIES



BLC4/BLC32 Sanitizer, 4-
or 32-oz. bottle



63992 European Keg
Coupler, Kit



308-40B Faucet Lock



67141-1 Perlick
Faucet Handle



63797 Cleaning Kit

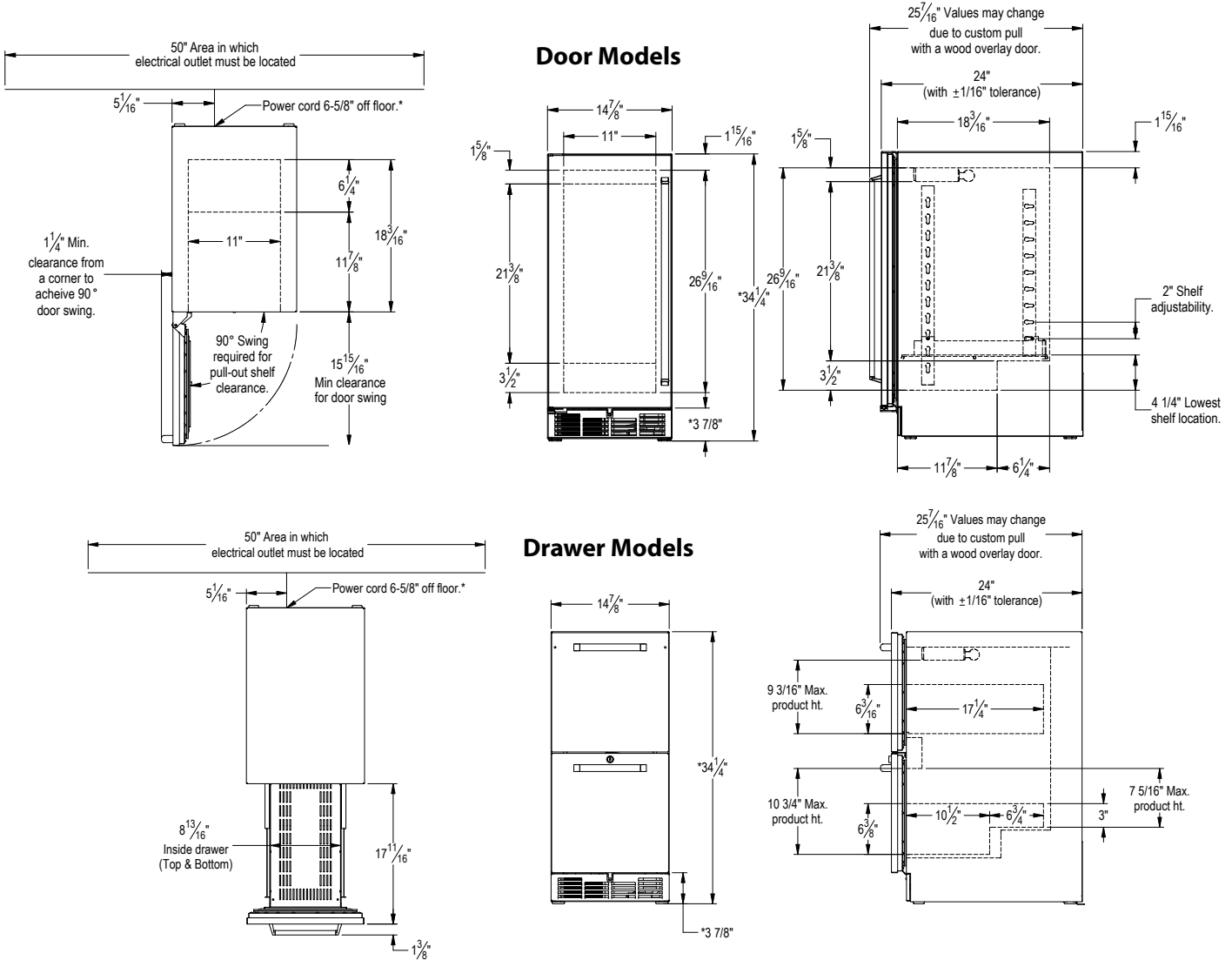


63802 Pump for
Clear Ice Maker



67782 Drip Pan for Beer
Dispenser

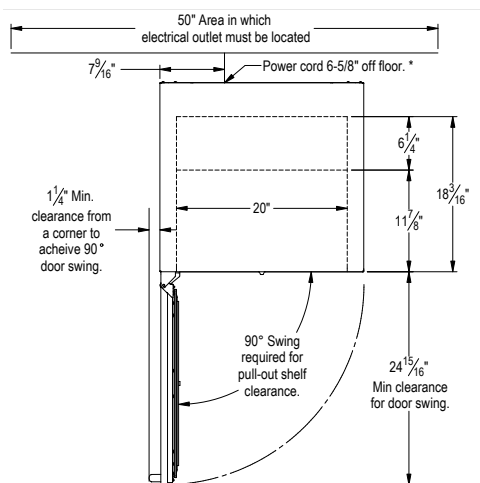
15" SIGNATURE SERIES SPECIFICATIONS



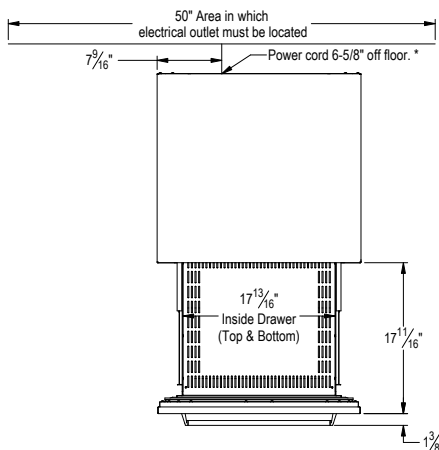
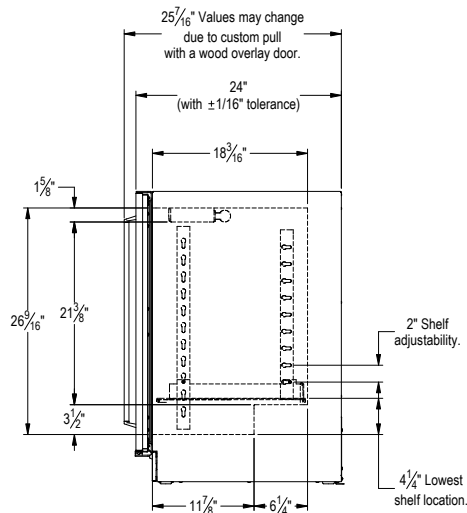
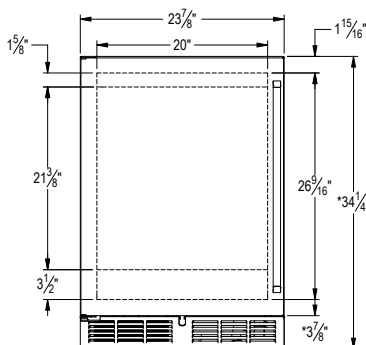
For complete specifications, including drawings of the 15" Beer Dispenser, visit perlick.com.

Overall Width	14-7/8" (37.78 cm)
Overall Height	34-1/4" (86.96 cm)
Overall Depth	24" (60.96 cm)
Capacity	3.0 cu. ft.
Minimum Height Required	34-3/8" (87.31 cm)
Electrical	115V, 60Hz, 1 Phase AC, 2.3 amps
Plumbing	none required

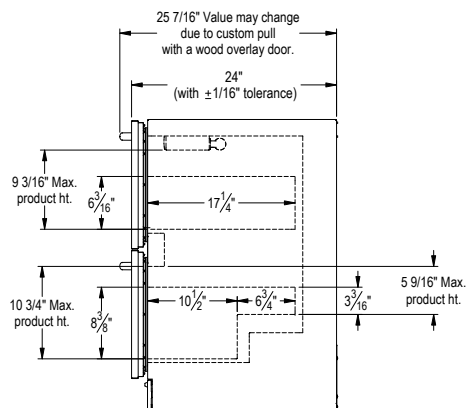
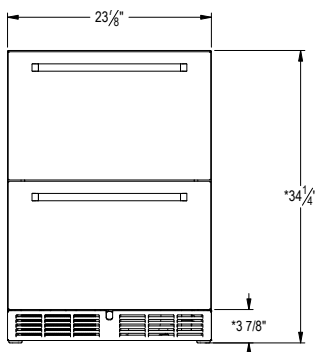
24" SIGNATURE SERIES SPECIFICATIONS



Door Models



Drawer Models

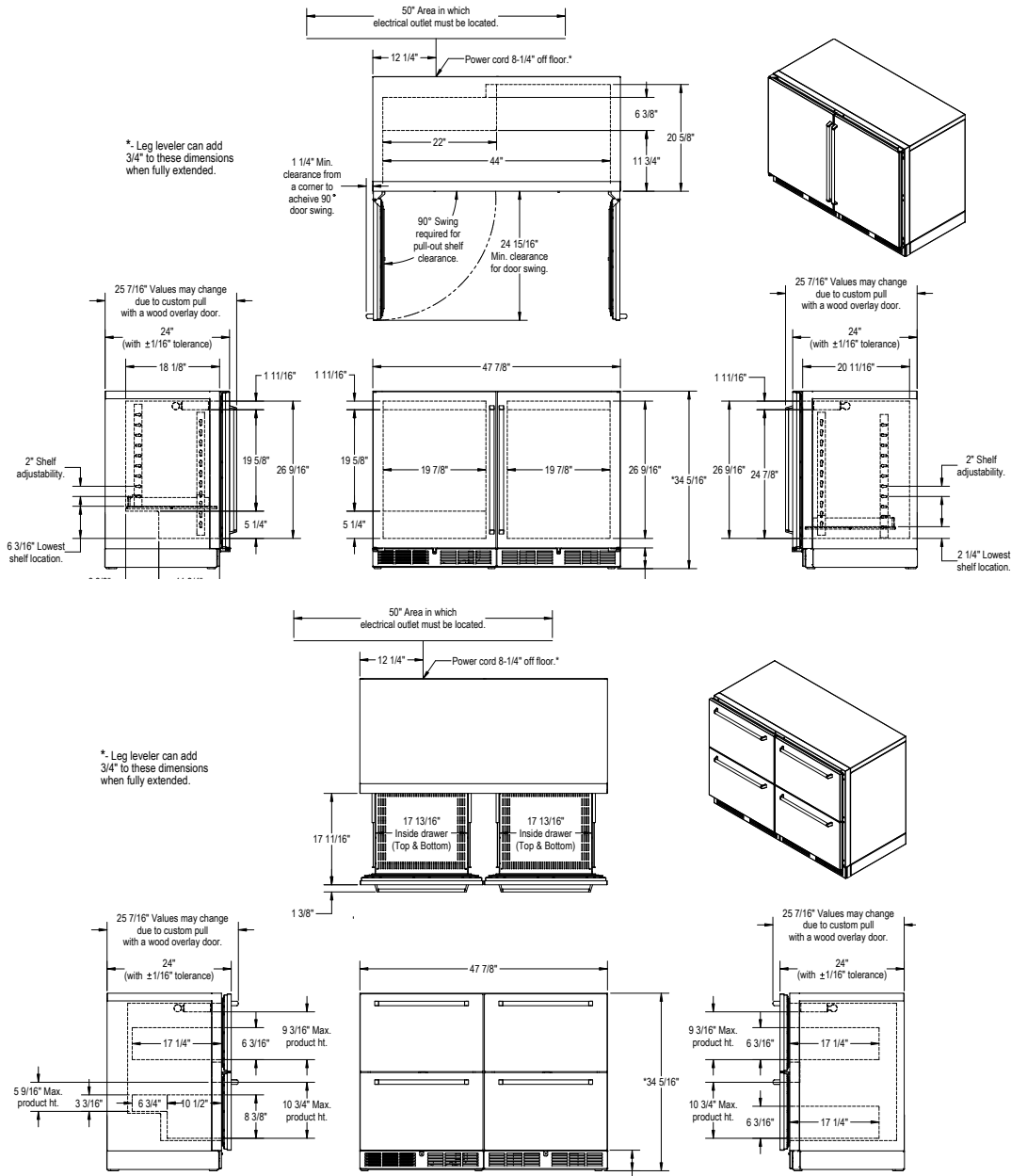


* -Leg leveler can add 3/4" to these dimensions when fully extended

For complete specifications, including drawings of the 24" Beer Dispenser, visit perlick.com.

Overall Width	23-7/8" (60.64 cm)
Overall Height	34-1/4" (86.96 cm)
Overall Depth	24" (60.96 cm)
Capacity	5.2 cu. ft.
Minimum Height Required	34-3/8" (87.31 cm)
Electrical	115V, 60Hz, 1 Phase AC, 2.3 amps
Plumbing	none required

48" SIGNATURE SERIES SPECIFICATIONS



For complete specifications, including drawings of the 48" Beer Dispenser/Refrigerator, visit perlick.com.

Overall Width 47-7/8" (121.60 cm)

Overall Height 34-1/4" (86.96 cm)

Overall Depth 24" (60.96 cm)

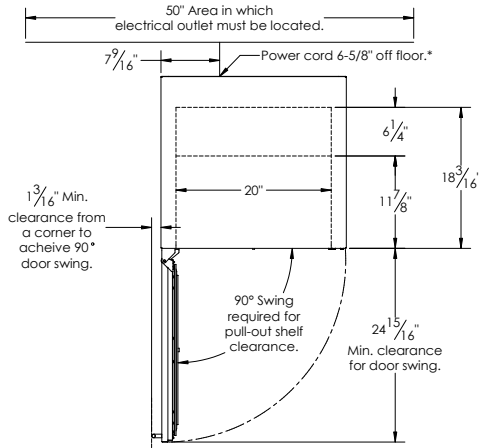
Capacity 11.0-12.0 cu. ft.

Minimum Height Required 34-3/8" (87.31 cm)

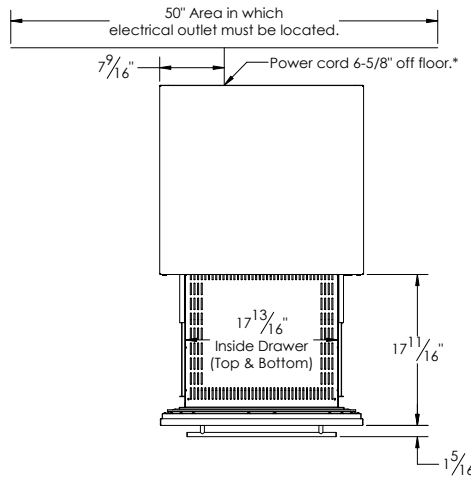
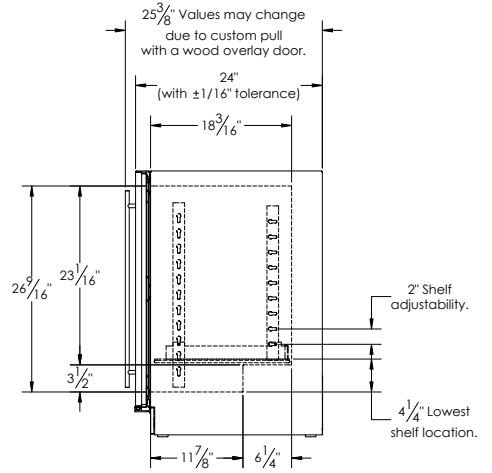
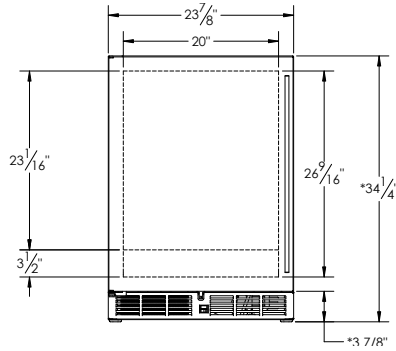
Electrical 115V, 60Hz, 1 Phase AC, 2.3 amps

Plumbing none required

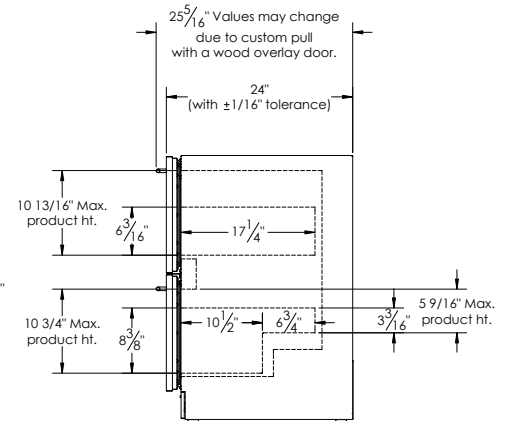
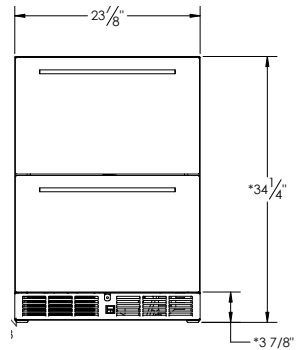
24" C-SERIES SPECIFICATIONS



Door Models



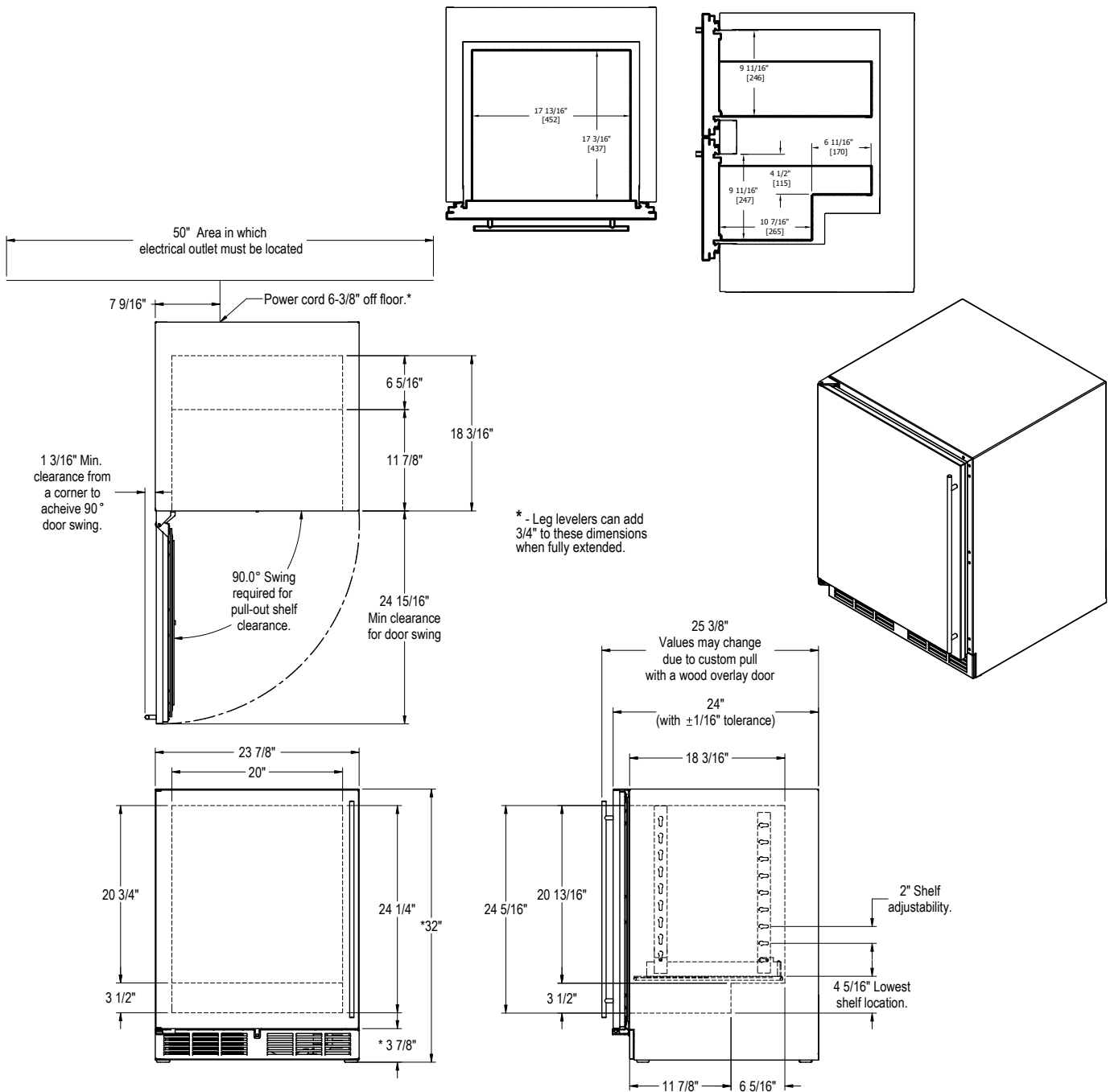
Drawer Models



Overall Width	23-7/8" (60.64 cm)
Overall Height	34-1/4" (86.96 cm)
Overall Depth	24" (60.96 cm)
Capacity	5.3 cu. ft.
Minimum Height Required	34-3/8" (87.31 cm)
Electrical	115V, 60Hz, 1 Phase AC, 2.3 amps
Plumbing	none required

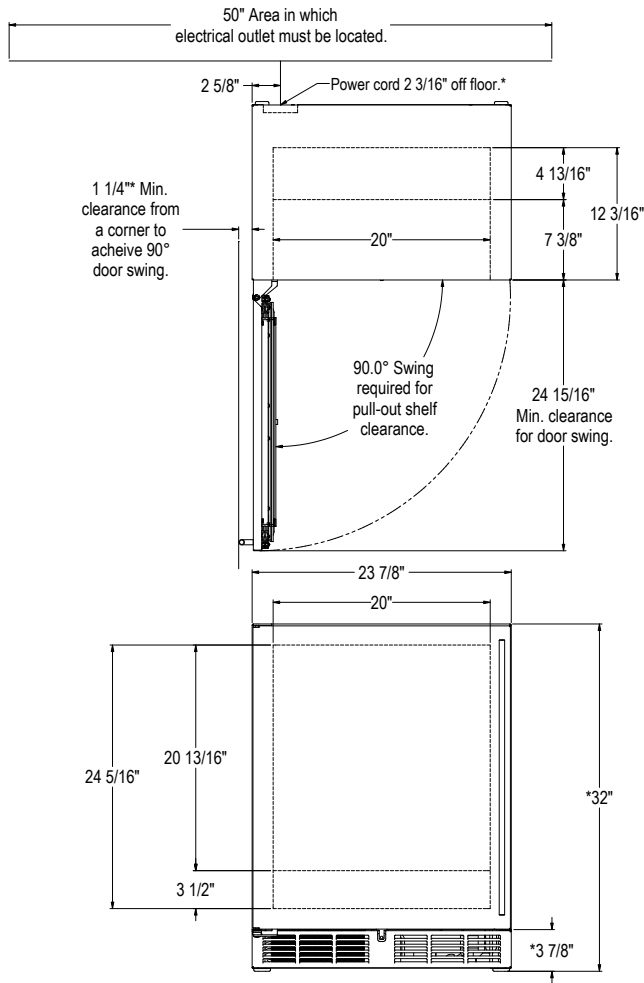
24" ADA-COMPLIANT SERIES SPECIFICATIONS

Drawer Models

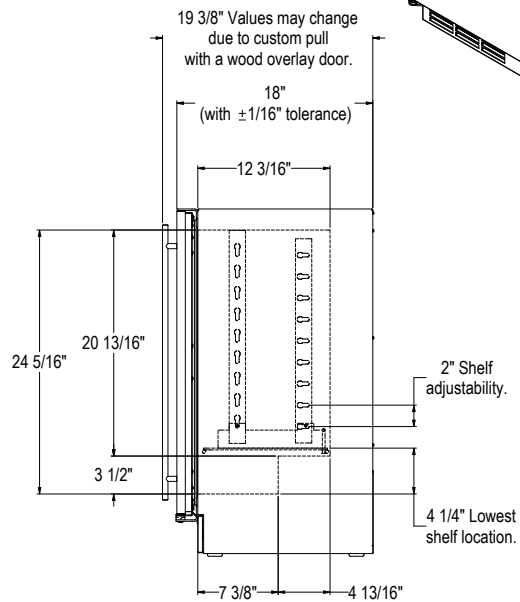
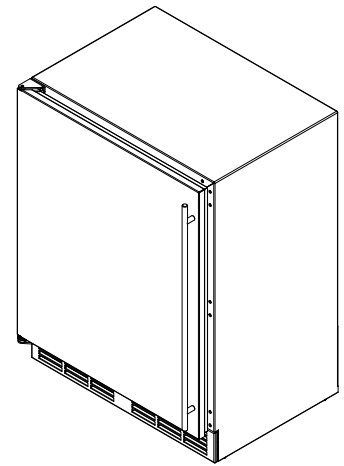


Overall Width	23-7/8" (60.64 cm)
Overall Height	32" (81.28 cm)
Overall Depth	24" (60.96 cm)
Capacity	4.8 cu. ft.
Minimum Height Required	32-1/8" (81.60 cm)
Electrical	115V, 60Hz, 1 Phase AC, 2.3 amps
Plumbing	none required

18" SHALLOW-DEPTH SERIES SPECIFICATIONS



*- Leg levelers can add 3/4" to these dimensions when fully extended.



Overall Width 23-7/8" (60.64 cm)

Overall Height 32" (81.28 cm)

Overall Depth 18" (45.72 cm)

Capacity 3.1 cu. ft.

Minimum Height Required 32-1/8" (87.31 cm)

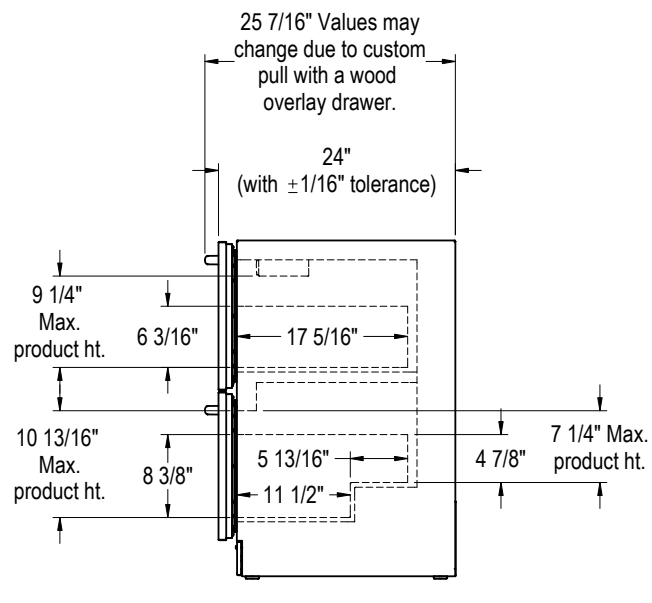
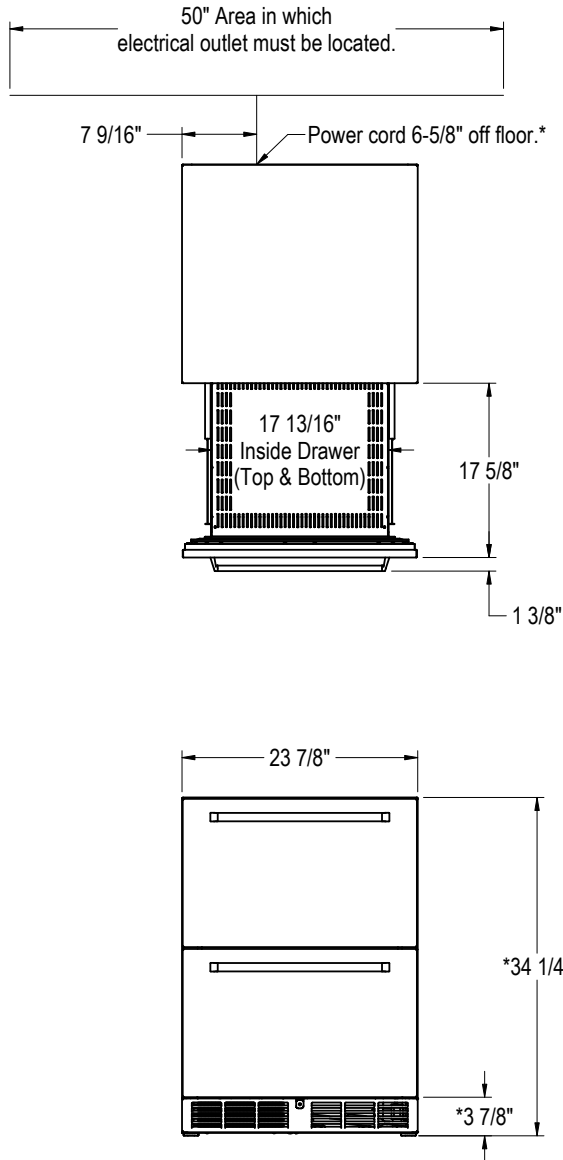
Electrical 115V, 60Hz, 1 Phase AC, 2.3 amps

Plumbing none required

24" NEW SIGNATURE SERIES

DUAL-ZONE FREEZER/REFRIGERATOR DRAWERS

SPECIFICATIONS



Overall Width 23-7/8" (60.64 cm)

Overall Height 34-1/4" (86.96 cm)

Overall Depth 24" (60.96 cm)

Capacity 5.0 cu. ft.

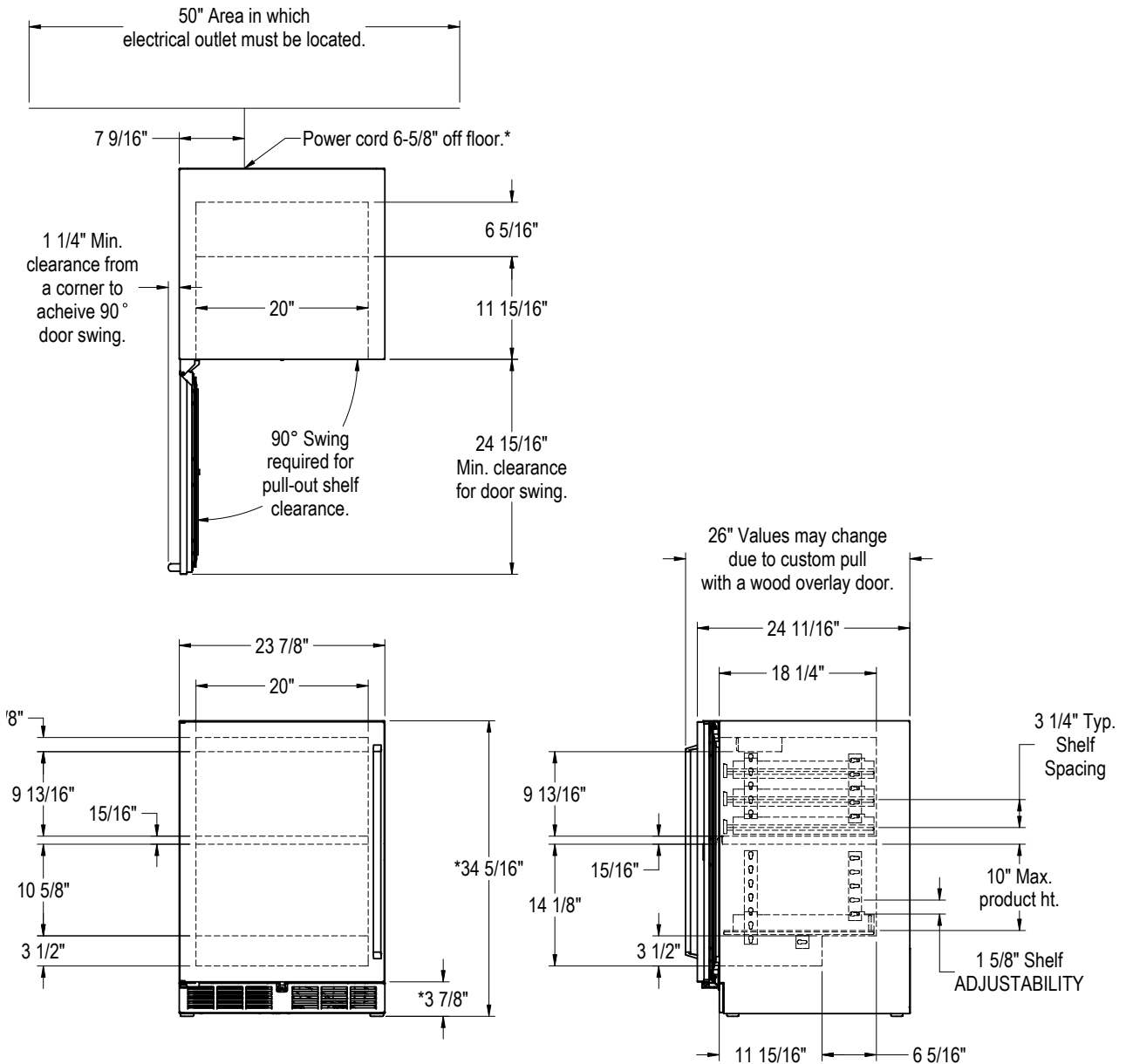
Minimum Height Required 34-3/8" (87.31 cm)

Electrical 115V, 60Hz, 1 Phase AC, 2.3 amps

Plumbing none required

24" NEW SIGNATURE SERIES

DUAL-ZONE REFRIGERATOR/WINE RESERVE SPECIFICATIONS

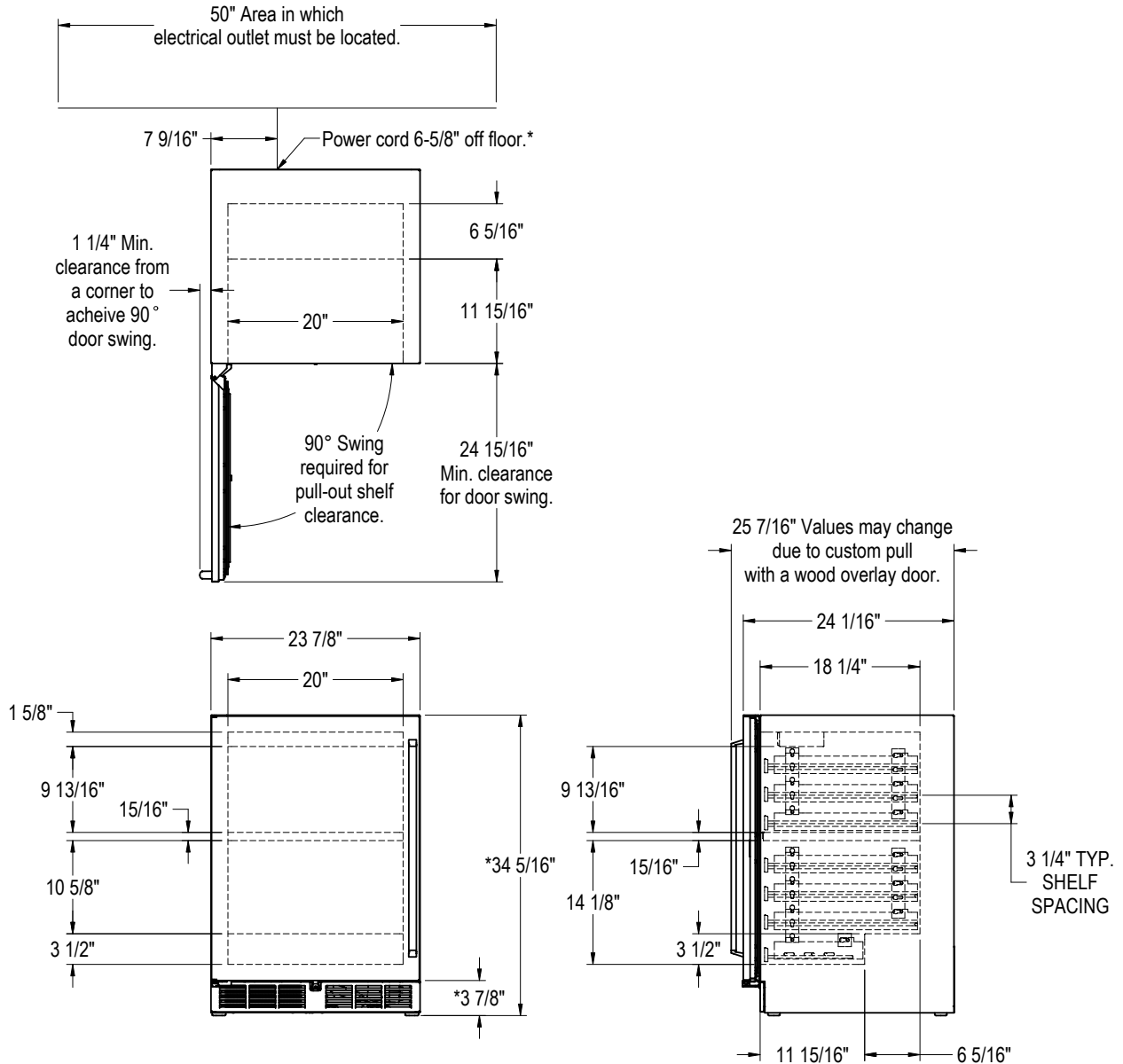


Overall Width	23-7/8" (60.64 cm)
Overall Height	34-1/4" (86.96 cm)
Overall Depth	24" (60.96 cm)
Capacity	5.0 cu. ft.
Minimum Height Required	34-3/8" (87.31 cm)
Electrical	115V, 60Hz, 1 Phase AC, 2.3 amps
Plumbing	none required

24" NEW SIGNATURE SERIES

DUAL-ZONE REFRIGERATOR/WINE RESERVE

SPECIFICATIONS



Overall Width 23-7/8" (60.64 cm)

Overall Height 34-1/4" (86.96 cm)

Overall Depth 24" (60.96 cm)

Capacity 5.0 cu. ft.

Minimum Height Required 34-3/8" (87.31 cm)

Electrical 115V, 60Hz, 1 Phase AC, 2.3 amps

Plumbing none required



24-inch Signature Series Dual-Zone Refrigerator/Wine Reserve (shown with optional third wine rack)

INSPIRE



QUALITY & INNOVATION
THAT **INSPIRES**

8300 West Good Hope Road
Milwaukee, WI 53223

800.558.5592 • www.perlick.com

