

24" SIGNATURE SERIES DUAL-ZONE FREEZER/REFRIGERATOR DRAWERS

HP24ZS | 24" INDOOR MODEL
HP24ZO | 24" OUTDOOR MODEL

Perlick[®]
QUALITY & INNOVATION
THAT **INSPIRES**



Drawer Model



GENERAL SIGNATURE SERIES FEATURES

- Perlick's exclusive commercial-grade 1,000 Btu variable speed compressor
- Front-vented, RAPIDcool forced-air refrigeration system
- Commercial-grade stainless steel interior and exterior
- **Industry Exclusive** convertible door design allows all doors the ability to be converted to wood overlay from stainless steel
- **Industry Exclusive** adjustable, full-extension pull-out shelves (drawer models and beer dispenser excluded)
- Stainless-steel ball-bearing glides provide smooth movement of shelves
- Low E, UV-coated glass provides industry leading insulation and protection.
- State-of-the-art digital control module
- Optional door locks and Industry-Exclusive drawer locks (factory installed)
- Stacking kit available
- Indoor and outdoor models available
- Also available - 24" Freezer, Refrigerator, Beverage Center, Beer Dispenser, Dual-zone Wine Reserve and Dual-Zone Refrigerator/Wine Reserve.
- 5.0 cubic feet of capacity
- Industry Best Three Year Warranty plus additional three years on sealed system

HP24ZS/ZO FEATURES

- Available with stainless steel drawers or wood overlay drawers
- Freezer equipped with automatic hot gas defrost for maintenance-free defrosting
- Drawers are full-extension for easy stocking and access to goods
- Freezer drawer temperature -10° - 10°F (factory set at 0°F)
- Refrigerator drawer temperature 30°F - 42°F (factory set at 38°F)

Form No.HP24Z
Rev. 01.29.2014

PRODUCT SPECIFICATIONS

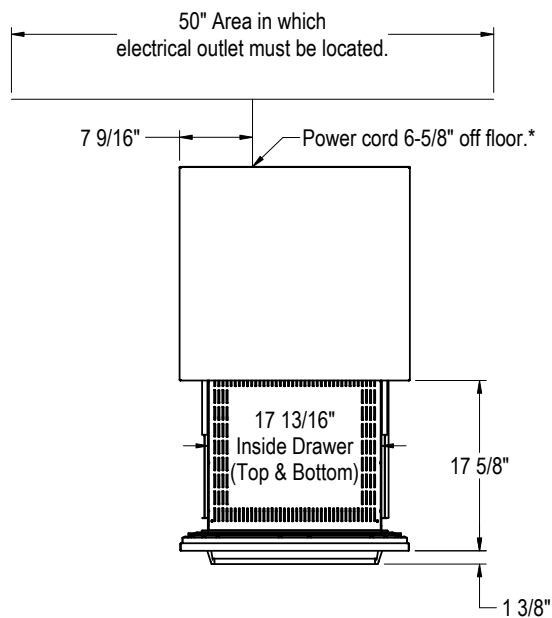
Overall Width	23-7/8" (60.64 cm.)
Overall Height	34-1/4" (86.96 cm.)
Overall Depth	24" (60.96 cm.)
Opening Width	24" (60.96 cm.)
Opening Height	34-3/8" (87.31 cm.)
Opening Depth	24" (60.96 cm.)
Refrigerated Volume	5.0 cu. ft.
Drawer Clearance	18.25" (46.5 cm.) minimum
Electrical	115V, 60Hz, 1 Phase, 2.3 amps
Plumbing	None Required
Annual Energy Usage	393 kWh/yr
Shipping Weight	191 lbs (100.70 kg.)

INDOOR MODELS

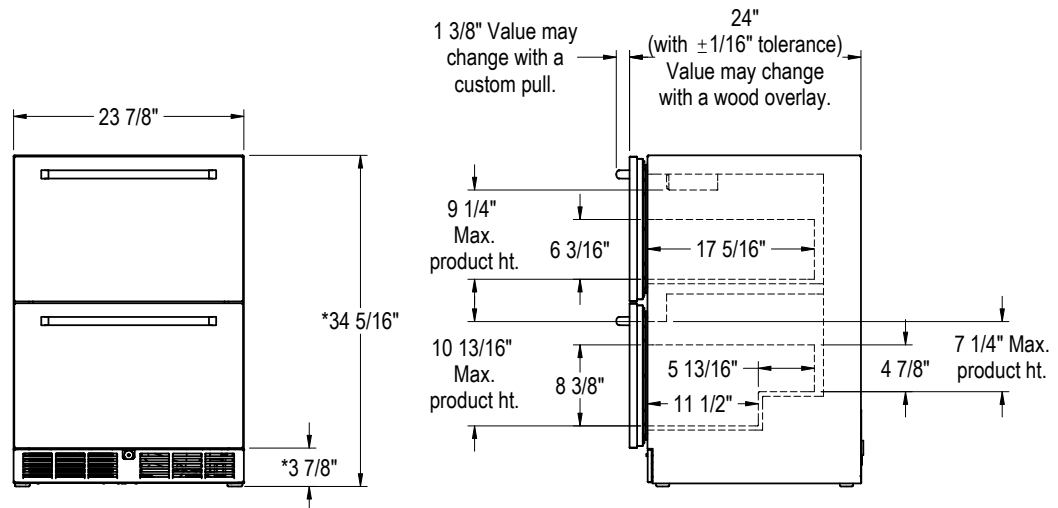
HP24ZS-5	Stainless steel drawers
HP24ZS-6	Wood overlay drawers

OUTDOOR MODELS

HP24ZO-5	Stainless steel drawers
HP24ZO-6	Wood overlay drawers



*- Leg leveler can add 3/4" to these dimensions when fully extended.



Form No.HP24Z
Rev. 01.29.2014