

# 24" SIGNATURE SERIES WINE RESERVE

**HP24WS-3** | 24" INDOOR MODEL  
**HP24WO-3** | 24" OUTDOOR MODEL

**Perlick**<sup>®</sup>  
QUALITY & INNOVATION  
THAT **INSPIRES**



Glass Door Model



Solid Door Model



## GENERAL SIGNATURE SERIES FEATURES

- Zero-clearance hinging allows for abutment with surrounding cabinetry
- Perlick's exclusive commercial-grade 1,000 Btu variable speed compressor
- Front-vented, RAPIDcool forced-air refrigeration system
- Commercial-grade stainless steel interior and exterior
- **Industry Exclusive** convertible door design allows all doors the ability to be converted to wood overlay from stainless steel
- **Industry Exclusive** adjustable, full-extension pull-out shelves (drawer models and beer dispenser excluded)
- Stainless-steel ball-bearing glides provide smooth movement of shelves
- Adjustable Crisp White and Cool Blue LED lighting
- Low E, UV-coated glass provides industry leading insulation and protection.
- State-of-the-art digital control module
- Optional door locks and Industry-Exclusive drawer locks (factory installed)
- Stacking kit available
- Indoor and outdoor models available
- Also available - 24" Freezer, Refrigerator, Beverage Center, Beer Dispenser, and Dual-Zone Wine Reserve
- 5.2 cubic feet of capacity
- Industry Best Three Year Warranty plus additional three years on sealed system

## HP24WS-3/WO-3 FEATURES

- Available with solid stainless steel door, solid wood overlay door, stainless steel glass door or wood overlay glass door
- Includes five (5) full-extension pull-out wine shelves
- Wine shelves feature stainless steel fronts
- Product capacity is 40 wine bottles (750 ml.) with room below for an additional five (5) bottles
- Wine Reserve temperature 45°- 65°F

Form No.HP24W-3  
Rev. 06.15.2015

## PRODUCT SPECIFICATIONS

<b>Overall Width</b>	23-7/8" (60.64 cm.)
<b>Overall Height</b>	34-1/4" (86.96 cm.)
<b>Overall Depth</b>	24" (60.96 cm.)
<b>Opening Width</b>	24" (60.96 cm.)
<b>Opening Height</b>	34-3/8" (87.31 cm.)
<b>Opening Depth</b>	24" (60.96 cm.)
<b>Refrigerated Volume</b>	5.2 cu. ft.
<b>Door Swing Clearance</b>	25" (63.5 cm.) minimum
<b>Electrical</b>	115V, 60Hz, 1 Phase, 2.3 amps
<b>Plumbing</b>	None Required
<b>Shipping Weight</b>	222 lbs (100.7 kg.)

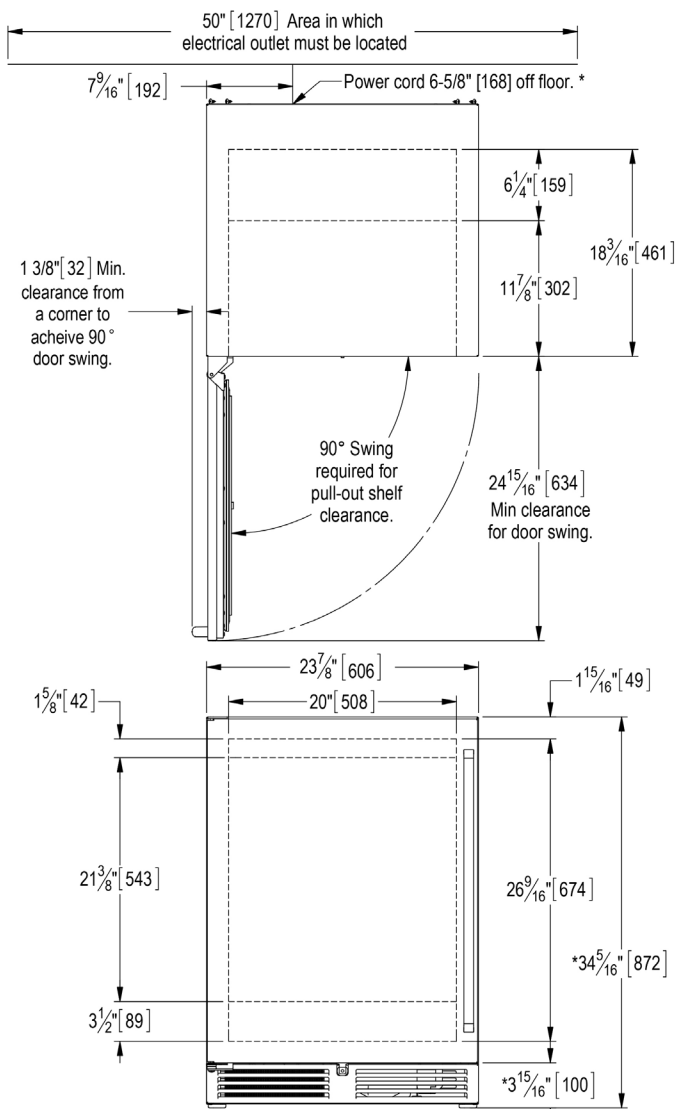
## INDOOR MODELS

<b>HP24WS-3-1L*</b>	Solid stainless steel door, hinge left
<b>HP24WS-3-2L*</b>	Solid wood overlay door, hinge left
<b>HP24WS-3-3L*</b>	Stainless steel glass door, hinge left
<b>HP24WS-3-4L*</b>	Wood overlay glass door, hinge left

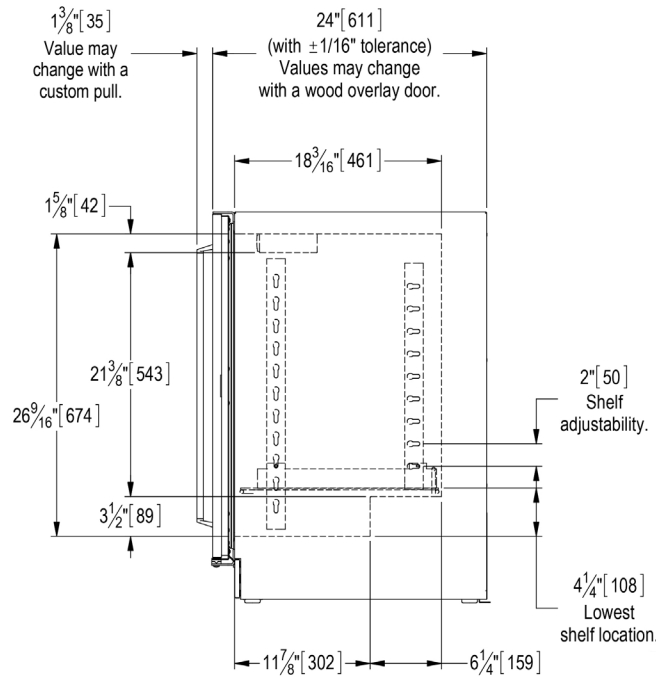
## OUTDOOR MODELS

<b>HP24WO-3-1L*</b>	Solid stainless steel door, hinge left
<b>HP24WO-3-2L*</b>	Solid wood overlay door, hinge left
<b>HP24WO-3-3L*</b>	Stainless steel glass door, hinge left
<b>HP24WO-3-4L*</b>	Wood overlay glass door, hinge left

\* Also available hinge right



\* - Leg levelers can add 3/4" [19] to these dimensions when fully extended.



Form No.HP24W-3  
Rev. 06.15.2015