

15" SIGNATURE SERIES BEVERAGE CENTER

HP15BS-3 | 15" INDOOR MODEL
HP15BO-3 | 15" OUTDOOR MODEL

Perlick[®]
QUALITY & INNOVATION
THAT **INSPIRES**



Glass Door Model



Solid Door Model



GENERAL SIGNATURE SERIES FEATURES

- Zero-clearance hinging allows for abutment with surrounding cabinetry
- 525 Btu commercial-grade compressor
- Front-vented, RAPIDcool forced-air refrigeration system
- Commercial-grade stainless steel interior and exterior
- **Industry Exclusive** convertible door design allows all doors the ability to be converted to wood overlay from stainless steel
- **Industry Exclusive** adjustable, full-extension pull-out shelves (drawer models and beer dispenser excluded)
- Stainless-steel ball-bearing glides provide smooth movement of shelves
- Adjustable Crisp White and Cool Blue LED light options
- Low E, UV-coated glass provides industry leading insulation and protection.
- State-of-the-art digital control module
- Optional door locks and Industry-Exclusive drawer locks (factory installed)
- Stacking kit available
- Indoor and outdoor models available
- Also available - 15" Refrigerator, Wine Reserve, Beer Dispenser and Clear Ice Maker
- 2.8 cubic feet of capacity
- Industry Best Three Year Warranty plus additional three years on sealed system

HP15BS/BO FEATURES

- Available with solid stainless steel door, solid wood overlay door, stainless steel glass door or wood overlay glass door
- Includes two (2) full-extension pull-out wine shelves and one (1) full-extension pull-out shelf
- Wine shelves feature stainless steel fronts
- Product capacity is 8 wine bottles
- Beverage Center temperature 30°- 48°F (factory set at 42°)

Form No.HP15B-3
Rev. 06.15.2015

PRODUCT SPECIFICATIONS

Overall Width	14-7/8" (37.78 cm)
Overall Height	34-1/4" (86.96 cm)
Overall Depth	24" (60.96 cm.)
Opening Width	15" (38.1 cm.)
Opening Height	34-3/8" (87.31 cm.)
Opening Depth	24" (60.96 cm.)
Refrigerated Volume	2.8 cu. ft.
Door Swing Clearance	16" (40.64 cm) minimum
Electrical	115V, 60Hz, 1 Phase, 2.3 amps
Plumbing	None Required
Shipping Weight	150 lbs (68.04 kg)
Annual Energy Usage	280 kWh/yr

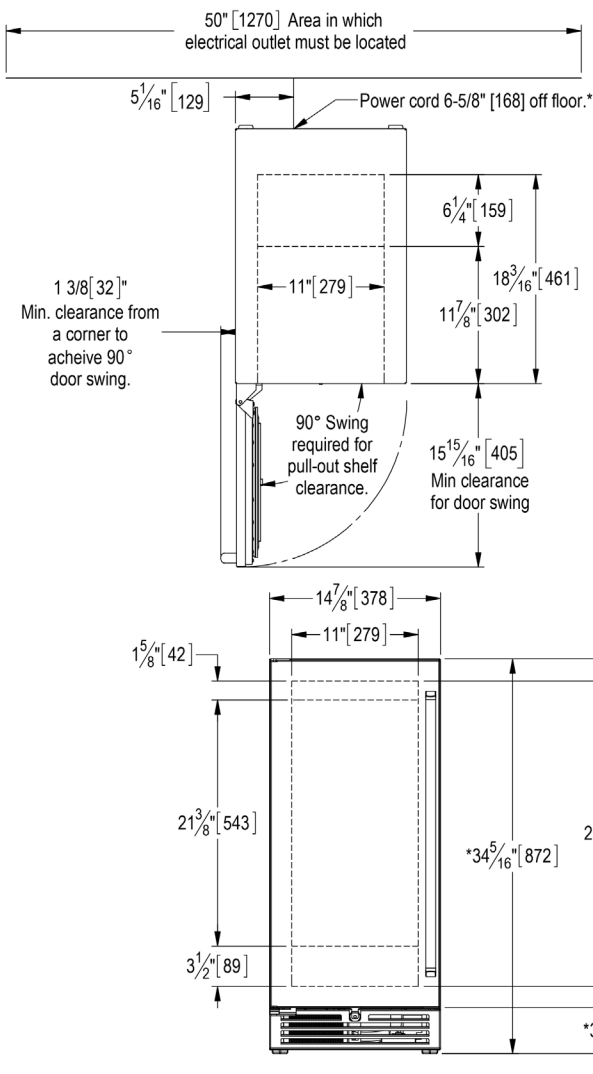
INDOOR MODELS

HP15BS-3-1L*	Solid stainless steel door, hinge left
HP15BS-3-2L*	Solid wood overlay door, hinge left
HP15BS-3-3L*	Stainless steel glass door, hinge left
HP15BS-3-4L*	Wood overlay glass door, hinge left

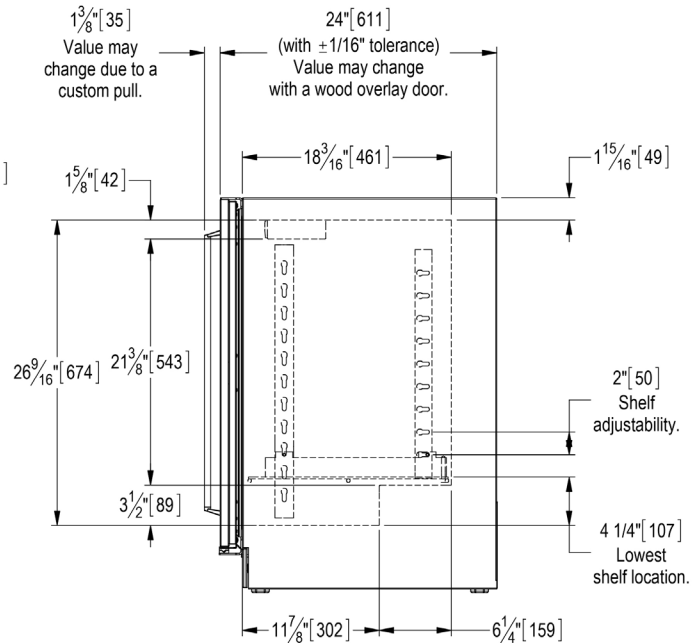
OUTDOOR MODELS

HP15BO-3-1L*	Solid stainless steel door, hinge left
HP15BO-3-2L*	Solid wood overlay door, hinge left
HP15BO-3-3L*	Stainless steel glass door, hinge left
HP15BO-3-4L*	Wood overlay glass door, hinge left

* Also available hinge right



* - Leg leveler can add 3/4" [19] to these dimensions when fully extended.



Form No. HP15B-3
Rev. 06.15.2015