

Danby®

- OWNER'S MANUAL
- LE MANUEL DU PROPRIÉTAIRE
- DWC113BLSDB

CAUTION

Read and follow all safety rules and operating instructions before first use of this product.

PRÉCAUTION

Veillez lire attentivement les consignes de sécurité et les instructions d'utilisation avant l'utilisation initiale de ce produit.



Danby Products Limited, Guelph, Ontario Canada N1H 6Z9
Danby Products Inc., Findlay, Ohio USA 45839-0669

Version 1.01.06

TABLE OF CONTENTS

Important Safety Information

3

Safety Precautions	3
Grounding Instructions	4
location	4

Operating Instructions

5

Features of Your Wine Cooler	5
The Controls of Your Wine Cooler	6
Setting the Temperature	6
Wine Storage	7
Shelf Instructions	7

Installation Instructions

8

Door Swing Reversal	8
---------------------	---

Care and Cleaning

9

Helpfull Hints	9
How to Clean the Inside	9
How to Clean the Outside	9

Trouble Shooting

10

Before Your Call For Service	10
------------------------------	----

Warranty

11

WELCOME

Welcome to the Danby family. We're proud of our quality products and we believe in dependable service.

You'll see it in this easy-to-use manual and you'll hear it in the friendly voices of our consumer service department.

Tel: 1-800-26-**Danby**[®]

Best of all, you'll experience these values each time you use your Wine Cooler. That's important, because your new appliance will be part of your family for a long time.

Start Here!...Before using your Wine Cooler

Write down the model and serial numbers here. They are on a label located on the back of the unit

Staple your receipt to the inside back cover of this manual. You will need it to obtain service under warranty.

Model number **DWC113BLSDD**

Serial number _____

Date purchased _____

NEED HELP?

Before you call for service, there are a few things you can do to help us serve you better...

Read this manual

It contains instructions to help you use and maintain your appliance properly.

If you received a damaged appliance

Immediately contact the dealer (or builder) that sold you the Wine Cooler.

Save time and money

Check the Trouble Shooting section before calling. This section helps you solve common problems that may occur.

If you do need service, you can relax knowing help is only a phone call away.

Tel: 1-800-26-**Danby**[®]

IMPORTANT SAFETY INFORMATION

READ ALL SAFETY INFORMATION BEFORE USING

WARNING

DANGER, RISK OF CHILD ENTRAPMENT!

An empty refrigerator is a very dangerous attraction to children. Remove either the gasket, latches, lids, lock and/or doors from unused or discarded appliances, or take some other action to guarantee it harmless.

DON'T WAIT, DO IT NOW!

To reduce the risk of fire, burns, electric shock, or injury to persons when using your appliance, follow basic precautions, including the following sections;

SAFETY PRECAUTIONS

- This appliance must be grounded. Connect only to a properly grounded outlet. See "Grounding Instructions" section on page 4.
- Do not operate this appliance if it has a damaged power cord or plug, if it is not working properly, or if the appliance has been damaged or dropped.
- Do not splice the power cord that is equipped with this appliance.
- Keep power cord away from heated surfaces.
- Do not immerse power cord, plug or the appliance itself in water.
- Do not use this product near water-for example, in a wet basement, near a swimming pool or near a sink.
- Do not use corrosive chemicals or vapors in this appliance.
- Use this appliance only for its intended use, as described in this manual.
- Do not store perishable food items such as (but not limited to) meats and dairy products in your Wine Cooler.
- Store Wine in sealed containers only.
- See door surface cleaning instructions in the Care and Cleaning section(s) of this manual.
- Do not cover or block any openings on the appliance.
- This appliance is intended for household use only. Do not attempt to operate or store this appliance outdoors.
- This appliance should be serviced only by qualified service personnel. Contact nearest authorized service facility for examination, repair or adjustment.

SAVE THESE INSTRUCTIONS

IMPORTANT SAFETY INFORMATION

GROUNDING INSTRUCTIONS

WARNING

Improper use of the grounding plug can result in a risk of electric shock.

This appliance must be grounded. In the event of an electrical short circuit, grounding reduces the risk of electric shock by providing an escape wire for the electric current.

This appliance is equipped with a power cord having a grounding wire with a grounding plug. The plug must be plugged into an outlet that is properly installed and grounded.

Consult a qualified electrician or service technician if the grounding instructions are not completely understood, or if doubt exists as to whether the appliance is properly grounded.

If the outlet is a standard 2-prong wall outlet, it is your personal responsibility and obligation to have it replaced with a properly grounded 3-prong wall outlet.

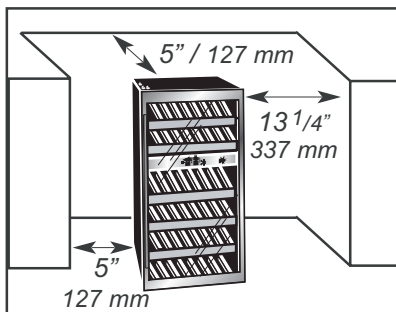
For best operation, plug this appliance into its own electrical outlet to prevent flickering of lights, blowing of fuse or tripping of circuit breaker.

Do not under any circumstances cut or remove the third (ground) prong from the power cord.

Do not use an adapter plug with this appliance.

Do not use an extension cord with this appliance. If the power cord is too short, have a qualified electrician or service technician install an outlet near the appliance.

Location



Allow 13 1/4" (33.7 cm) of space between the (hinge) side of the door and any adjacent wall to accommodate door swing.

DO...

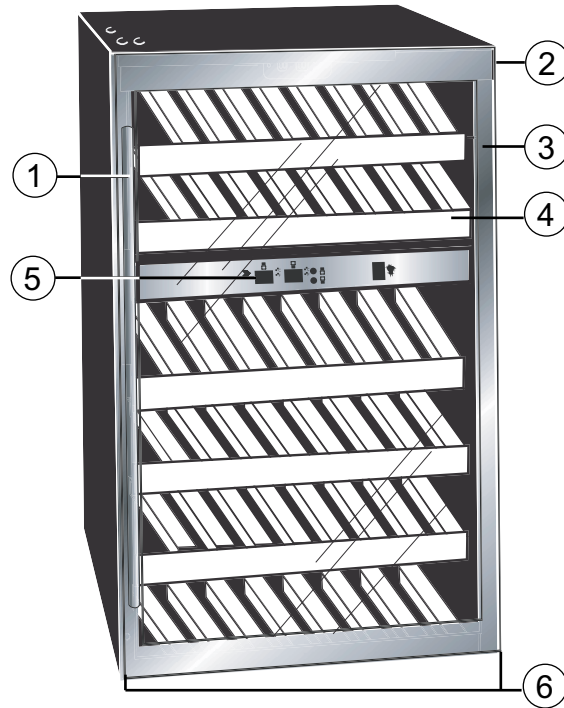
- Select a location with a strong, level floor.
- Allow 5 inches of space between the back of the appliance and any adjacent wall.
- Avoid direct sunlight and heat. Direct sunlight may affect the acrylic coating, heat sources nearby will cause higher electricity consumption.

DO NOT...

- Use this appliance outdoors: This appliance is intended for household use only. Do not attempt to operate or store this appliance outdoors.
- Build this appliance into an enclosure: This appliance is designed for a free-standing application only and is not intended to be "built-in".

Operating Instructions

Features of your Wine Cooler



1. Handle

2. Magnetic Door Gaskets: Tight fitting seals retain all the cooling power and humidity levels.

3. Glass Door: Allowing for easy interior viewing.

4. Beechwood shelves

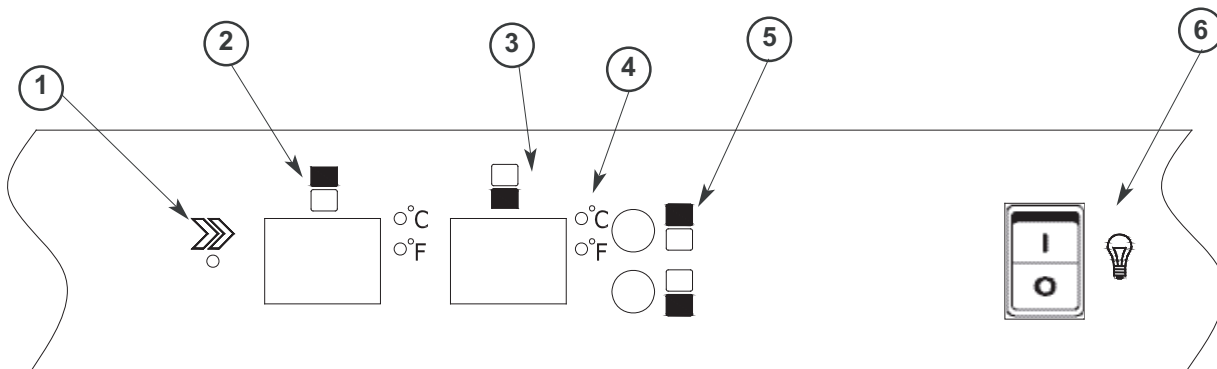
5. Electronic Display and Controls: For viewing and regulating the temperature for both compartments of the wine cooler.

6. Leveling Legs

Specifications			
Width	493mm / 19 7/16	Temperature Range (Minimum ~Maximum)	Top 5~10°C / 41~50°F Bottom 10~18°C 50~64°F
Height	840mm / 33 1/16	Net Weight	44 kg (97 lb)
Depth	633mm / 24 15/16	Refrigerant	R134a

Operating Instructions

The Controls of your Wine Cooler



1. : Indicator light illuminates to signify the cooling mode is currently in operation.
2. **Window** : For viewing the temperature of the upper zone.
3. **Window** : For viewing the temperature of the lower zone.
4. °C/°F : Adjacent indicator light denotes which scale of temperature is displayed.
5. **Button** : Used to set the temperature in the upper zone (see 'Setting the Temperature' below).
 Button : Used to set the temperature in the lower zone (see 'Setting the Temperature' below).
6. : To control the inner light turn ON/OFF.
 Switch: Continuous illumination.
 Switch: Illumination only when the door is open.

Setting the Temperature

IMPORTANT

In the event of a power failure, wait 3 to 5 minutes before restarting.

- To switch the display between the Fahrenheit (°F) and Celsius (°C) scale, depress the and control buttons simultaneously for approximately five(5) seconds.

- The temperature range can be set as low as 39°F (4°C) or as high as 64°F (18°C) to suit your specific storage requirements. Each depres-

sion of the or button will allow you adjust the temperature in 1° degree increments within the aforementioned range.

Operating Instructions

Wine Storage

IMPORTANT!

Store wine in sealed bottles only.

The maximum* wine capacity of your wine cooler is 38 (750 ml) bottles.

**When stocked as per instructions.*

In order to achieve the maximum capacity of thirty-eight (38) bottles, it will be necessary to position the bottles alternately on the upper four (4) racks, as shown in **Fig. A**. This will allow for the storage of seven (7) 750 ml bottles per rack in each of the top four (4) racks, and five (5) bottles on the bottom two (2) racks (**Fig. B**).

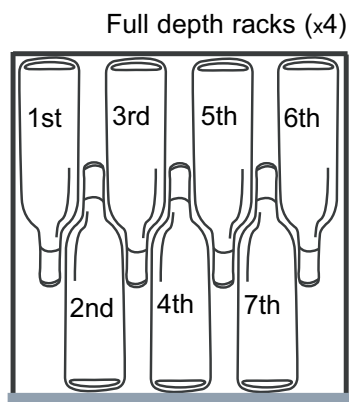


Fig. A

Half depth racks (x2)

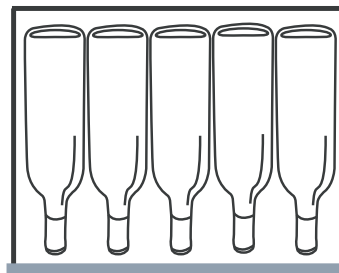


Fig. B

Shelf Instructions

IMPORTANT!

Do not cover racks with aluminum foil or any other material that will prevent adequate air circulation within the cabinet.

To remove a rack from its locked position, tilt the rack as shown in **Fig. C** and pull outward.

To re-install, ensure the rack is resting securely on the support brackets and push the rack inward until it locks into place.

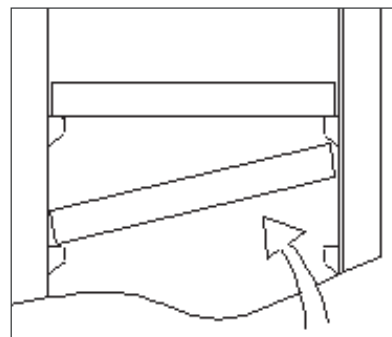


Fig. C

Installation Instructions - Door Swing Reversal

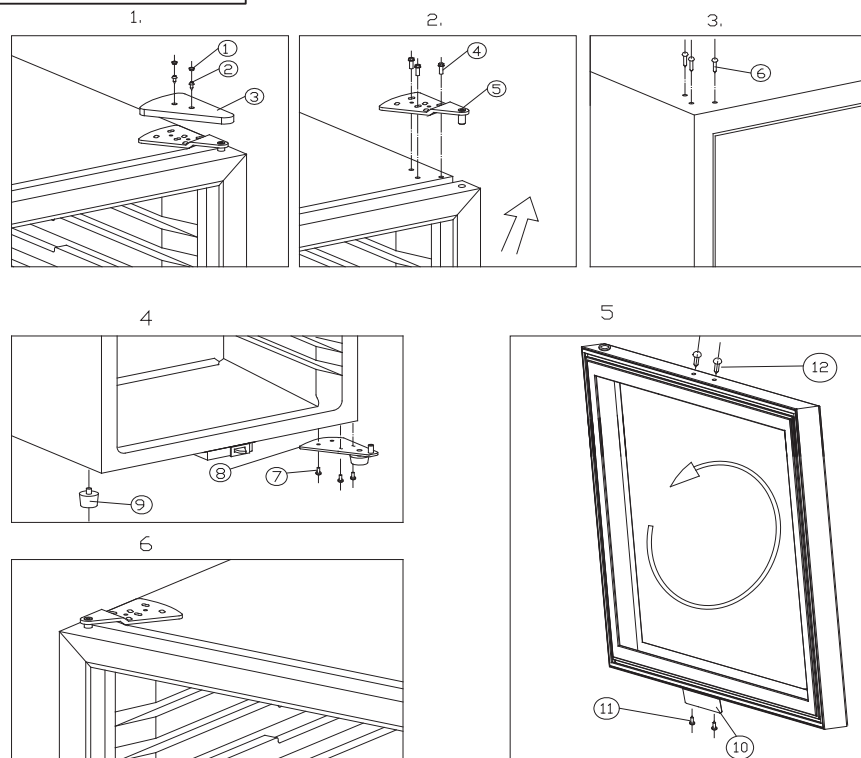
TOOLS REQUIRED

Phillips #2 screwdriver and an adjustable wrench.

WARNING!

Excessive Weight Hazard
Use two or more people when moving the wine cooler.

- ① Rubber cover
- ② Screws
- ③ Decorative cover
- ④ Screws
- ⑤ Top hinge
- ⑥ Decorative nail
- ⑦ Screws
- ⑧ Lower hinge
- ⑨ Cabinet leg
- ⑩ Extrusion-board of lamp switch
- ⑪ Screws
- ⑫ Decorative nail



1. Close the door and take out rubber cover (1), unscrew two screws (2) and remove decorative cover (3). (Fig.1)
2. Unscrew screws (4) and take out top hinge (5), then remove the door. (Fig. 2)
3. Put door safety, unscrew decorative nail (12) and take out 2 screws (11) at bottom, pull out extrusion-board of lamp switch (10) and fix it at top of door. Block holes at bottom of door with spare decorative nail. (Fig. 5)
4. Pull out decorative nail (6) from left top of cabinet. (Fig.3)
5. Unscrew 3 screws (7) from right bottom of cabinet and remove lower hinge (8). (Fig.4)
6. Pull out cabinet leg (9) from left bottom of cabinet and fix it onto right bottom of cabinet. (Fig.4)
7. Fix the lower hinge (8) onto left bottom of cabinet with screws (7). (Fig. 4)
8. The door revolves 180 degrees, put lower door axis to aim at lower hinge (8) and install the door onto lower hinge (8), then close the door carefully. (Fig.5)
9. Fix top hinge (5) onto left top of cabinet with screws (4), adjust door and install decorative cover (3) and rubber cover (1). (Fig.6)
10. Block 3 screw holes at right top of cabinet with spare decorative nail.

Care and Cleaning

Helpful Hints

Allow the Wine Cooler door to remain open for a few minutes after manual cleaning to air out and dry the inside of the wine cooler cabinet

NOTE: Be certain the power is off before cleaning any part of this appliance.

How to Clean the Inside

Never use any commercial or abrasive cleaners or sharp objects on any part of the Wine Cooler.

Walls, Floor, Inside Window, and Shelves

Some water deposits and dust can be removed with a dry paper towel, others may require a damp cloth.

How to Clean the Outside

Do not use cleaners containing ammonia or alcohol on the Wine Cooler.

Ammonia or alcohol can damage the appearance of the appliance.

Outer Case

It's important to keep the area clean where the door seals against the cabinet. Clean this area with a sudsy cloth. Rinse and then dry.

Door surface

Use only mild, non-abrasive detergents applied with a clean sponge or soft cloth. Rinse well.

Control Panel and Door

Wipe with a damp cloth and dry thoroughly. Do not use cleaning sprays, large amounts of soap and water, abrasive or sharp objects on the panel—they can damage it. Some paper towels may also scratch the control panel and door glass.

Trouble Shooting

Before You Call For Service

Problem	Possible Cause	What to do
No Power.	A fuse in your home may be blown or the circuit breaker tripped.	Replace fuse or reset circuit breaker.
	Power surge.	Unplug the Wine Cooler, wait a few seconds and then plug it back in.
	Plug not fully inserted into wall outlet	Make sure the 3-prong plug is fully inserted into outlet.
Cabinet Temperature too High	Temperature setting	Verify the temperature control setting. adjust if necessary
	Door not shut properly or opened excessively	Ensure that the door is fully closed and that the gasket is sealing. against the cabinets. Open the doors only as needed and for short periods of time
	Interior lights toggled on	The interior lights are intended for temporary lighting of cabinets for display purposes only. They are not intended to be left on for prolonged time periods
	Exhaust vent is obstructed	Verify there is nothing blocking the front mounted exhausting vent.
	Recently added a large quantity of warm bottles to the cabinet	Limit the quantity of warm bottles being introduced to the cabinet at the same time. Attempt to stagger the load introduction if possible.
Condensation on the cabinet and/or doors	High humidity conditions in the home.	The condensation will subside once humidity conditions return to normal.
	Door not shut properly or opened excessively	Ensure that the door is fully closed and that the gasket is sealing. against the cabinets. Open the door only as needed and for short periods of time

If none of the above rectify the situation please contact our customer care department at **1-800-26-Danby® (1-800-263-2629)**



LIMITED IN-HOME APPLIANCE WARRANTY

This quality product is warranted to be free from manufacturer's defects in material and workmanship, provided that the unit is used under the normal operating conditions intended by the manufacturer.

This warranty is available only to the person to whom the unit was originally sold by Danby Products Limited (Canada) or Danby Products Inc. (U.S.A.) (hereafter "Danby") or by an authorized distributor of Danby, and is non-transferable.

TERMS OF WARRANTY

Plastic parts, are warranted for thirty (30) days only from purchase date, with no extensions provided.

First Year During the first twelve (12) months, any functional parts of this product found to be defective, will be repaired or replaced, at warrantor's option, at no charge to the ORIGINAL purchaser.

To obtain Service Danby reserves the right to limit the boundaries of "In Home Service" to the proximity of an Authorized Service Depot. Any appliance requiring service outside the limited boundaries of "In Home Service", it will be the consumer's responsibility to transport the appliance (at their own expense) to the original retailer (point of purchase) or a service depot for repair. See "Boundaries of In Home Service" below. Contact your dealer from whom your unit was purchased, or contact your nearest authorized Danby service depot, where service must be performed by a qualified service technician.

If service is performed on the units by anyone other than an authorized service depot, or the unit is used for commercial application, all obligations of Danby under this warranty shall be void.

Boundaries of In Home Service If the appliance is installed in a location that is 100 kilometers (62 miles) or more from the nearest service center your unit must be delivered to the nearest authorized Danby Service Depot, as service must only be performed by a technician qualified and certified for warranty service by Danby. Transportation charges to and from the service location are not protected by this warranty and are the responsibility of the purchaser.

Nothing within this warranty shall imply that Danby will be responsible or liable for any spoilage or damage to food or other contents of this appliance, whether due to any defect of the appliance, or its use, whether proper or improper.

EXCLUSIONS

Save as herein provided, Danby, there are no other warranties, conditions, representations or guarantees, express or implied, made or intended by Danby or its authorized distributors and all other warranties, conditions, representations or guarantees, including any warranties, conditions, representations or guarantees under any Sale of Goods Act or like legislation or statute is hereby expressly excluded. Save as herein provided, Danby shall not be responsible for any damages to persons or property, including the unit itself, howsoever caused or any consequential damages arising from the malfunction of the unit and by the purchase of the unit, the purchaser does hereby agree to indemnify and hold harmless Danby from any claim for damages to persons or property caused by the unit.

GENERAL PROVISIONS

No warranty or insurance herein contained or set out shall apply when damage or repair is caused by any of the following:

- 1) Power failure.
- 2) Damage in transit or when moving the appliance.
- 3) Improper power supply such as low voltage, defective house wiring or inadequate fuses.
- 4) Accident, alteration, abuse or misuse of the appliance such as inadequate air circulation in the room or abnormal operating conditions (extremely high or low room temperature).
- 5) Use for commercial or industrial purposes (ie. If the appliance is not installed in a domestic residence).
- 6) Fire, water damage, theft, war, riot, hostility, acts of God such as hurricanes, floods etc.
- 7) Service calls resulting in customer education.
- 8) Improper Installation (ie. Building-in of a free standing appliance or using an appliance outdoors that is not approved for outdoor application).

Proof of purchase date will be required for warranty claims; so, please retain bills of sale. In the event warranty service is required, present this document to our AUTHORIZED SERVICE DEPOT.

Warranty Service
In-home

Danby Products Limited
PO Box 1778, Guelph, Ontario, Canada N1H 6Z9
Telephone: (519) 837-0920 FAX: (519) 837-0449

1-800-263-2629

Danby Products Inc.
PO Box 669, Findlay, Ohio, U.S.A. 45840
Telephone: (419) 425-8627 FAX: (419) 425-8629

TABLE DES MATIÈRES

Informations de sécurité importantes

14

Précautions	14
Instructions de mise à la terre	15

Instructions de fonctionnement

16

Caractéristiques de votre Centre de Breuvages	16
Commandes de votre Centre de Breuvages	17
Réglage de la température	17
Entreposage des vins	18
Instruction des tabletts	18

Instructions d'installation

19

Renversement de la Porte	19
--------------------------	----

Soin et nettoyage

20

Conseils utiles	20
Comment nettoyer l'intérieur	20
Comment nettoyer l'extérieur	20

En cas de panne

21

Avant de placer un appel de service	21
Garantie	22

BIENVENUE

Bienvenue dans la famille Danby. Nous sommes fiers de nos produits de qualité et croyons au bien fondé de fournir une assistance fiable à nos clients.

Vous le découvrirez par ce guide facile d'utilisation et vous pourrez l'entendre en provenance des voix amicales de notre service d'assistance à la clientèle. Tél.: 1-800-26-**Danby**[®]

Mais, ce qui est encore mieux, vous pourrez bénéficier de ces valeurs à chaque utilisation de votre refroidisseur de vin. Ceci est important parce que votre nouvelle appareil fera partie de votre famille pour longtemps.

Point de départ...AVANT d'utiliser votre Cabinet à Vin

Enregistrez ici les numéros de modèle et de série. Ces numéros se trouvent sur l'étiquette au dos de l'appareil.

Agrafez votre reçu d'achat à l'intérieur de la couverture arrière de de guide. Il sera requis pour faire une réclamation de la garantie.

Numéro de modèle **DWC113BLSDB**

Numéro de série _____

Date d'achat _____

EN CAS DE BESOIN D'ASSISTANCE

Voici quelques contributions que vous pouvez effectuer avant de faire un appel de service, pour nous aider à mieux vous servir :

Lisez ce guide

Il comprend des instructions pour vous assister à l'utilisation et l'entretien adéquats de votre refroidisseur de vin.

Si votre appareil neuf est avarié

Communiquez immédiatement avec le revendeur (ou le fabricant).

Épargnez temps et argent

Avant de faire un appel de service, révissez le chapitre intitulé "Dépannage". Ce chapitre vous aidera à solutionner des problèmes communs qui pourraient survenir.

Si une réparation est requise, vous pouvez avoir l'esprit tranquille parce que de l'aide ne sera l'affaire que d'un appel téléphonique.

Tél.: 1-800-26-**Danby**[®]

INFORMATIONS DE SÉCURITÉ IMPORTANTES

LISEZ TOUTES LES INFORMATIONS DE SÉCURITÉ AVANT DE FAIRE FONCTIONNER L'APPAREIL

AVERTISSEMENT

DANGER, RISQUE DES ENFANTS DEVIENNENT COINCER DANS L'APPAREIL

Un refroidisseur de vin vide est une attraction dangereuse aux enfants. Enlever les joints étanches, les loquets, les couvercles ou les porte des appareils qui ne sont pas utiliser, ou faites de soit que l'appareil ne présente aucun danger.

N'ATTENDEZ PAS! FAITES-LE IMMEDIATEMEN!

Pour minimiser le risque d'incendie, de brûlures, de chocs électriques ou de blessures, suivez les chapitres suivants en plus d'appliquer les précautions de base.

PRÉCAUTIONS

- Cet appareil doit être mis à la terre. Branchez le seulement dans une prise correctement mise à la terre. Référez-vous au chapitre intitulé "Instructions de mise à la terre" à la page 16.
- Ne faites pas fonctionner cet appareil s'il a un cordon ou fiche électrique endommagé, s'il ne fonctionne pas correctement, ou si l'appareil a été endommagé ou échappé.
- N'épissez pas le cordon électrique
- Gardez le cordon électrique éloigné des sources de chaleur.
- N'immersez pas le cordon ou sa fiche dans aucun liquide.
- N'utilisez pas cet appareil près de bassins d'eau, par exemple dans un sous-sol détrempe, près d'une piscine ou d'un évier.
- N'utilisez pas de produits chimiques ou vapeurs corrosives dans/près de cet appareil.
- N'utilisez cet appareil que pour les fins auxquelles il est conçu comme indiqué dans ce guide.
- Ne placez pas les articles périssables de nourriture dans votre refroidisseur de vin. (Pour exemple, les viandes et les produits laitiers)
- Entreposez le vin dans des bouteilles scellées seulement.
- Référez-vous aux instructions de nettoyage du fini de la porte se trouvant au(x) chapitre(s) de Soins et nettoyage de ce guide.
- Ne recouvrez pas ou n'obstruez aucune ouverture de l'appareil.
- Cet appareil est conçu pour un usage domestique à l'intérieur seulement. N'entreposez ni n'utilisez pas cet appareil à l'extérieur.
- Cet appareil ne devrait être réparé que par du personnel qualifié. Pour tout examen, réparation ou réglage, contactez votre centre de service le plus rapproché.

SAUVEGARDEZ CES INSTRUCTIONS

INFORMATIONS DE SÉCURITÉ IMPORTANTES

INSTRUCTIONS DE MISE À LA TERRE

AVERTISSEMENT

Une mauvaise utilisation de la mise à la terre de la fiche constitue un danger d'électrocution.

Cet appareil doit être mis à la terre. Dans l'éventualité d'un court-circuit, la mise à la terre procure un chemin direct de contournement du courant pour prévenir l'électrocution des manipulateurs de l'appareil.

Cet appareil est muni d'un cordon comprenant une fiche et fil de mise à la terre.

La fiche doit être branchée dans une prise correctement installée et mise à la terre.

Si les directives de mise à la terre ne sont pas tout à fait comprises ou en cas de tout doute relatif à la mise à la terre appropriée de l'appareil, faites appel à un électricien ou à un technicien qualifié.

Si la prise murale est une prise à 2 branches, c'est votre obligation, et la responsabilité vous en incombe, de la faire remplacer par une prise à trois branches adéquatement mise à la terre.

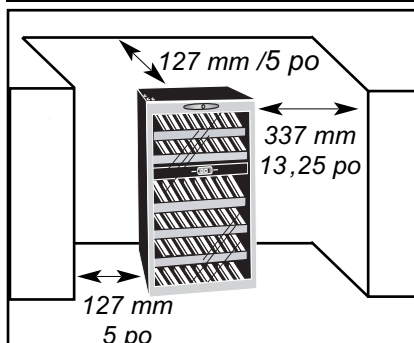
Pour un meilleur rendement et pour éviter que les ampoules d'éclairage de la résidence soient affectées d'un affaiblissement de tension, ou que le fusible ou disjoncteur du circuit ne grille ou ne se déclenche, dédiez un circuit individuel d'alimentation à la machine à glaçons (prise (double) unique sur le circuit).

Sous aucun prétexte il est permis de couper ou d'enlever la troisième branche (mise à la terre) de la fiche du cordon électrique.

N'utilisez pas d'adaptateur de fiche avec cet appareil.

N'utilisez pas de cordon de rallonge avec cet appareil. Si le cordon électrique de l'appareil ne rejoint pas la prise murale, faites installer une prise plus rapprochée par un électricien ou un technicien qualifié.

EMPLACEMENT



Laissez 13¼" (33,7cm) d'espace entre le côté de la porte (charnière) et tout mur adjacent pour permettre l'ouverture de la porte.

À FAIRE :

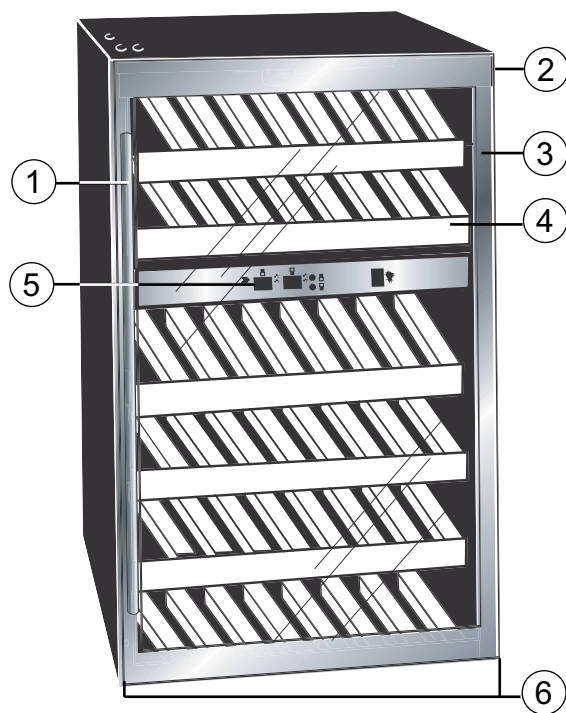
- Choisir un endroit avec un plancher solide et au niveau.
- Laisser un espace de 13 cm (5 po) entre l'arrière de l'appareil et tout mur adjacent.
- Éviter l'exposition au soleil direct et à la chaleur. Le soleil direct peut affecter la couche d'acrylique. Les sources de chaleur à proximité peuvent causer une plus grande consommation d'électricité.

À NE PAS FAIRE :

- **Utiliser cet appareil à l'extérieur:** Cet appareil a été conçu pour usage domestique seulement. Ne pas faire fonctionner ou entreposer cet appareil à l'extérieur.
- **Incorporer cet appareil dans une armoire:** Cet appareil est conçu pour une utilisation autonome seulement et n'est pas prévu pour être encastré.

Instructions de fonctionnement

Caractéristiques de votre refroidisseur de vin



1. Poignée

2. Joint Étanche Magnétique: Le joint étanche permet de conserver le niveau de température et d'humidité à l'intérieur du cabinet.

3. Portes en Verre: en permettant de voir facilement le contenu du cabinet

4. Étagères en bois

5. Double commande électronique : Pour ajuster la température des deux compartiments du refroidisseur de vin individuellement.

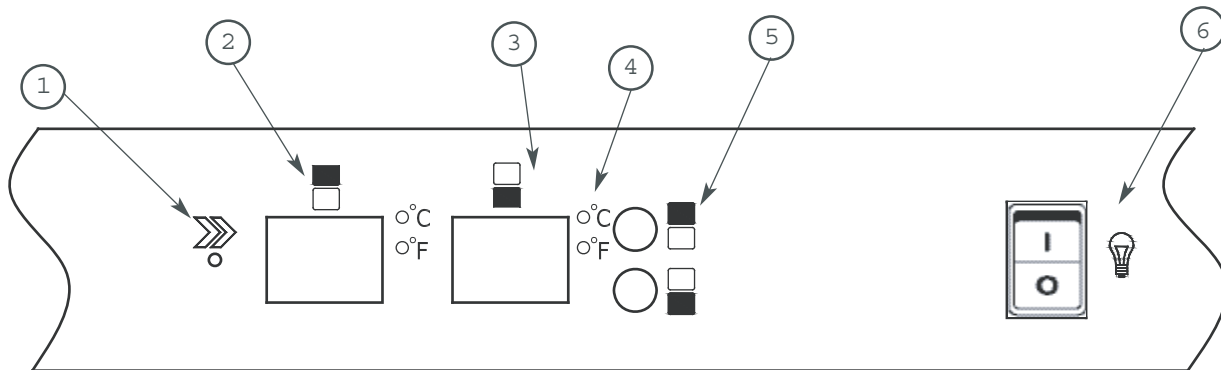
6. Pieds Adjustables

Spécifications

Largeur	493mm / 19 7/16 po	Écart de température (minimum ~ maximum)	Haut 5~10°C / 41~50°F Bas 10~18°C / 50~64°F
Hauteur	840mm / 33 1/16 po	Poids net	44 kg (97 lb)
Profondeur	633mm / 24 15/16 po	Réfrigérant	R134a

Instructions de fonctionnement

Commandes de votre refroidisseur de vin



1. Le voyant s'allume pour indiquer que le cycle de refroidissement est presentement en marche.
2. **Fenêtre:**
Pour vue la température de la zone supérieure.
3. **Fenêtre:**
Pour vue la température de la zone inférieure.
4. **C° / F°** Le voyant situés à côté, dénote quelle balance de la température est montrée.
5. **Réglage Supérieure :** Réglez la température du chambre supérieure par intervalle de un degré (référez-vous au "Réglage du température" ci-dessous).
Réglage Inférieure : Réglez la température du chambre inférieure par intervalle de un degré (référez-vous au "Réglage du température" ci-dessous).
6. **Manuellement illuminer ou éteignez les lumières intérieures.**
" I " éclairage continu
" O " éclairage que lorsque la porte est ouverte

Réglage du température

En cas de panne de courant, attendez de 3 à 5 minutes avant de redémarrer.

- Pour changer l'affichage entre la température en Celsius (°C) et la la température en Fahrenheit (°F) appuyez sur les bouton de control et en même temps pour environ 5 secondes.

- La température pour les deux compartiments peut être ajustée aussi basse que 39°F (4°C) ou aussi haut que 64°F (18°C) pour satisfaire à vos besoin spécifiques pour votre entreposage de vin.

Chaque pression du bouton commande ou vous permettra d'ajuster la température par intervalle de un degré dans la marge mentionnée ci-dessus.

Instructions de fonctionnement

Entreposage des vins

IMPORTANT !

Entreposez le vin dans des bouteilles scellées seulement.

Le cabinet à vin peut accepter un maximum* de trente-huit (38) bouteilles de vin de 750 ml.

**Lorsque chargées selon les instructions*

Pour atteindre la capacité maximum de trente huit (38) bouteilles, vous devrez placer les bouteilles de façon alternative sur les quatre (4) tablettes du haut, tel qu'illustré dans **Fig. A**. Ceci permettra le stockage de sept (7) bouteilles de 750 ml par tablette sur chacune des quatre (4) tablettes du haut, et cinq (5) bouteilles sur les deux (2) tablettes du bas (**Fig.B**).

Tablettes de pleine profondeur (x4)

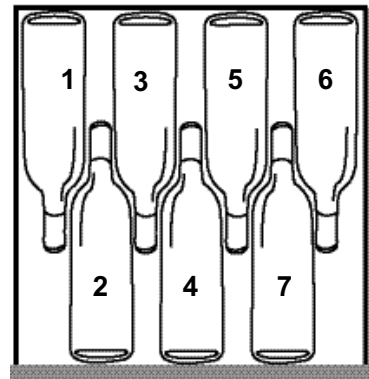


Fig. A

Tablettes de demi profondeur (x2)

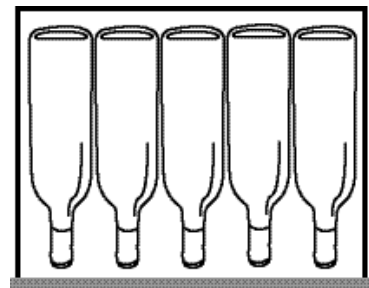


Fig. B

Instructions des tablette

IMPORTANT !

Ne recouvrez PAS les étagères de feuilles d'aluminium ou de tout autre membrane qui préviendrait la circulation de l'air à l'intérieur du cabinet.

Pour enlever une tablette de la position verrouillée, incline l'étagère comme montré dans la **figure C** et tire à l'extérieur.

Pour réinstaller, assurez l'étagère se repose sur les supports et poussée la tablette vers l'intérieur jusqu'à ce qu'elle soit verrouillée en place.

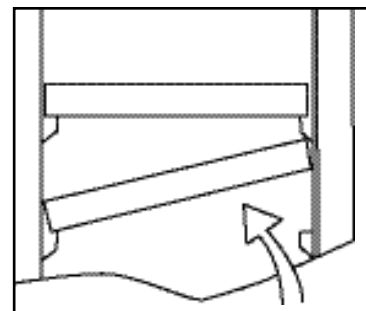


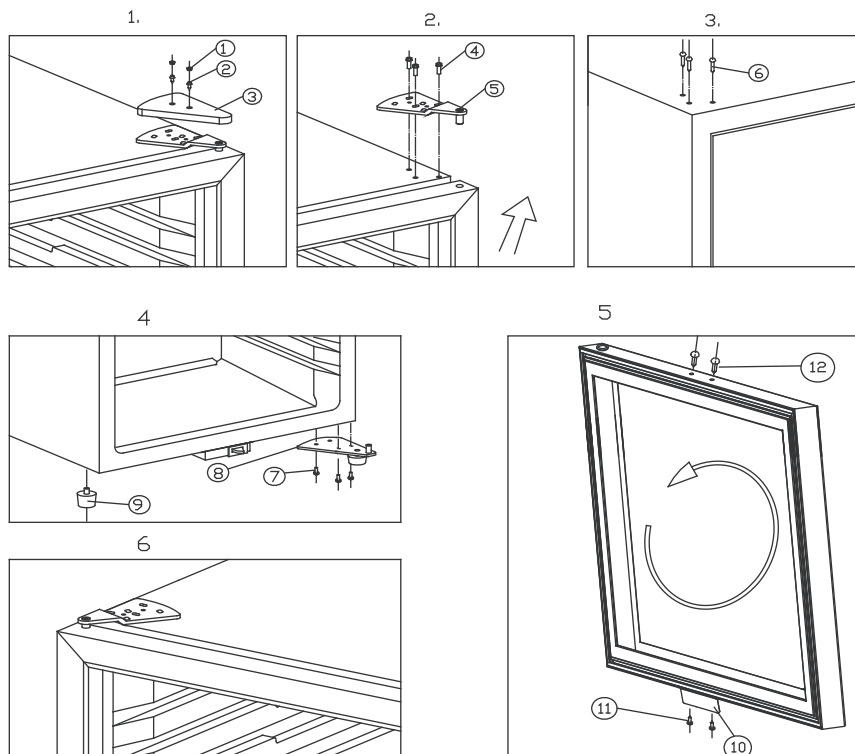
Fig. C

Instructions d'installation - Renversement de la Porte

Outils Nécessaires

Tournevis cruciforme n° 2 et une clé réglable.

- ① Couvercle en caoutchouc
- ② Vis
- ③ Couvercle décoratif
- ④ Vis
- ⑤ Charnière supérieure
- ⑥ Clou décoratif
- ⑦ Vis
- ⑧ Charnière inférieure
- ⑨ Pied du cabinet
- ⑩ Plaque d'extrusion de l'interrupteur d'éclairage
- ⑪ Vis
- ⑫ Clou décoratif



1. Fermez la porte et enlevez le couvercle en caoutchouc (1), puis dévissez deux vis (2) et enlevez le couvercle décoratif (3). (Fig. 1)
2. Dévissez les vis (4) et enlevez la charnière supérieure (5), puis enlevez la porte. (fig. 2)
3. Mettez la porte de côté, enlevez le clou décoratif (12) et enlevez 2 vis (11) au bas, tirez sur la plaque d'extrusion de l'interrupteur d'éclairage (10) pour l'enlever et fixez-la sur le dessus de la porte. Bloquez les orifices au bas de la porte au moyen du clou décoratif supplémentaire. (fig. 5)
4. Enlevez le clou décoratif (6) au coin supérieur gauche du cabinet en tirant dessus. (Fig. 3)
5. Dévissez 3 vis (7) du coin inférieur droit du cabinet et enlevez la charnière inférieure (8). (Fig. 4)
6. Enlevez le pied du cabinet (7) du coin inférieur gauche du cabinet en tirant dessus, puis insérez-le dans le coin inférieur droit du cabinet. (Fig. 4)
7. Fixez la charnière intérieure (8) dans le coin inférieur gauche du cabinet au moyen de vis (7). (fig. 4)
8. La porte pivote sur 180 degrés; alignez l'axe inférieur de la porte avec la charnière inférieure (8) et insérez la porte dans la charnière inférieure (8); ensuite, fermez la porte doucement. (Fig. 5)
9. Fixez la charnière supérieure (5) sur le coin supérieur gauche du cabinet au moyen de vis (4), ajustez la porte et installez le couvercle décoratif (3) et le couvercle en caoutchouc (1). (Fig. 6)
10. Bloquez les 3 trous de vis qui se trouvent dans le coin supérieur droit du cabinet avec les clous décoratifs supplémentaires.

Soins et entretien

MISE EN GARDE!

Assurez vous que l'alimentation est coupée avant de nettoyer n'importe quelle partie de cet appareil.

Conseils utiles

Après avoir fait de la glace, effectué un autonettoyage ou un nettoyage manuel, laissez la porte de la machine ouverte durant quelques minutes pour aérer et assécher l'intérieur de l'armoire.

Comment nettoyer l'intérieur

Murs, plancher, vitre intérieure, et tablettes

Les dépôts d'eau et la poussière peuvent être enlevés avec un linge humide.

Réservoirs D'Humidité

Lavez le délicatement à l'eau tiède et savonneuse.

IMPORTANT:

Pour ne pas qu'il brise, ne placez pas le reservoir dans l'eau chade immédiatement après l'avoir enlevée du refroidisseur de vin.

IMPORTANT

Ne jamais utiliser de nettoyeurs industriels ou abrasifs ou des objets acérés sur n'importe quelle partie de votre cabinet à vin

Comment nettoyer l'extérieur

Extérieur de l'armoire

Il est important de garder la région de scellement de la porte sur l'armoire propre. Nettoyez avec un tissu savonneux, rincez le régionr et puis séchez

Panneau de commande et Porte

Essuyez avec un chiffon humide. Asséchez bien avec un chiffon sec. N'utilisez pas de nettoyeurs en aérosol, de grandes quantités d'eau et de savon, d'abrasifs ou d'objets acérés sur le panneau, ceci pourrait l'endommager. Certains essuie-tout peuvent aussi égratigner le panneau de commande et verre de la porte.

IMPORTANT

Ne pas utiliser de nettoyeurs contenant de l'ammoniaque ou de l'alcool sur le cabinet à vin.

L'ammoniaque ou l'alcool peut altérer le fini du cabinet.

Surface du Porte

N'utilisez que des détergents doux, non abrasifs, appliqués avec une éponge propre ou un chiffon doux. Rincez abondamment.

En cas de panne

Avant de placer un appel de service

Problème	Cause possible	Ce qu'il faut faire
L'appareil n'est pas alimenté	Un fusible de votre panneau de distribution peut être grillé ou le disjoncteur déclenché.	Remplacez le fusible ou réarmez le disjoncteur.
	Surtension.	Débranchez la refroidisseur de vin et attendez quelques secondes, et puis rebranchez la.
	La fiche n'est pas complètement insérée dans la prise murale.	Assurez-vous que la fiche à 3 branches de la refroidisseur de vin est complètement insérée dans la prise.
La température dans le cabinet est trop haute	Réglage du température	Vérifiez que la commande est réglée à la bonne arrangement.
	Les portes ne sont pas fermées correctement ou son ouverte trop souvent	Assurez-vous que les portes sont fermées et que les joint étanches sont contre le coffret. Ouvrez les portes seulement quand nécessaire.
	Stocké une grande quantité de bouteilles chaudes dans le cabinet	Limitez la quantité de bouteilles chaudes qui sont stockées dans le cabinet en même temps.. Essayez d'introduire progressivement des charge chaudes si possible (ex. ne chargez pas plus de 6 bouteilles chaudes à la fois- trois par cabinet)
L'eau de condensation sur le coffret et/ou les portes	Niveau de humidité élevé dans la maison..	La formation de l'eau de condensation s'arrêtera quand le niveau.d'humidité retours à normale
	Les portes ne sont pas fermées correctement ou son ouverte trop souvent	Assurez-vous que les portes sont fermées et que les joint étanches sont contre le coffret. Ouvrez les portes seulement quand nécessaire.
Son de "cliquetis"	Son normal	Aucune intervention nécessaire de la part de l'utilisateur puisque ce son est normal durant le fonctionnement de l'appareil. Ce son de "cliquetis" audible peut être entendu lorsque l'appareil finit ou débute un cycle de refroidissement.

Si aucune des suggestions ci-dessus ne corrigent le problème, communiquez avec notre service d'assistance au **1-800-26 Danby® (1-800-263-2629)**



GARANTIE LIMITÉE SUR APPAREIL ÉLECTROMÉNAGER À DOMICILE

Cet appareil de qualité est garanti exempt de tout vice de matière première et de fabrication, s'il est utilisé dans les conditions normales recommandées par le fabricant.

Cette garantie n'est offerte qu'à l'acheteur initial de l'appareil vendu par Danby Products Limited (Canada) ou Danby Products Inc. (E.- U. d'A) (ci-après "Danby") ou par l'un des ses distributeurs agréés et elle ne peut être transférée.

CONDITIONS

Les pièces en plastique sont garanties pour trente (30) jours seulement à partir de la date de l'achat, sans aucune prolongation prévue.

Première 12 mois Pendant les douze (12) mois, toutes pièces fonctionnelles de ce produit s'avèrent défectueuses, seront réparées ou remplacées, selon le choix du garant, sans frais à l'acheteur INITIAL.

Pour bénéficier du Service Le client sera responsable pour le transport et tous les frais d'expédition de tout appareil exigeant le service au dépôt de service autorisé le plus proche. S'adresser au détaillant qui a vendu l'appareil, ou à la station technique agréée de service la plus proche, où les réparations doivent être effectuées par un technicien qualifié. Si les réparations sont effectuées par quiconque autre que la station de service agréée ou à des fins commerciales, toutes les obligations de Danby en vertu de cette garantie seront annulées.

Limites de l'entretien à domicile Si l'appareil est installé à plus de 100 kilomètres (62 milles) du centre de service le plus proche, il doit être livré à l'atelier de réparation autorisé par Danby le plus proche, car l'entretien doit uniquement être réalisé par un technicien qualifié et certifié pour effectuer un entretien couvert par la garantie de Danby. Les frais de transport entre votre domicile et le lieu de l'entretien ne sont pas couverts par la présente garantie et doivent être acquittés par l'acheteur.

Cette garantie indique en aucun temps la responsabilité de Danby de l'avarie ou dommage de la vin ou autre contenu, soit par les vices de l'appareil, ou soit par l'utilisation convenable ou inexacte.

EXCLUSIONS

En vertu de la présente, il n'existe aucune autre garantie, condition ou représentation, qu'elle soit exprimée ou tacite, de façon manifeste ou intentionnelle, par Danby ou ses distributeurs agréés. De même, sont exclues toutes les autres garanties, conditions ou représentations, y compris les garanties, conditions ou représentations en vertu de toute loi régissant la vente de produits ou de toute autre législation ou règlement semblables.

En vertu de la présente, Danby ne peut être tenue responsable en cas de blessures corporelles ou des dégâts matériels, y compris à l'appareil, quelle qu'en soit les causes. Danby ne peut pas être tenue responsable des dommages indirects dus au fonctionnement défectueux de l'appareil. En achetant l'appareil, l'acheteur accepte de mettre à couvert et de dégager Danby de toute responsabilité en cas de réclamation pour toute blessure corporelle ou tout dégât matériel causé par cet appareil.

CONDITIONS GÉNÉRALES

La garantie ou assurance ci-dessus ne s'applique pas si les dégâts ou réparations sont dus aux cas suivants:

- 1) Panne de courant.
- 2) Dommages subis pendant le transport ou le déplacement de l'appareil.
- 3) Alimentation électrique incorrecte (tension faible, câblage défectueux, fusibles incorrects).
- 4) Accident, modification, emploi abusif ou incorrect de l'appareil tel qu'une circulation d'air inadéquate dans la pièce ou des conditions de fonctionnement anormales (température extrêmement élevée ou basse).
- 5) Utilisation dans un but commercial ou industriel (à savoir, si l'appareil n'est pas installé dans un domicile résidentiel).
- 6) Incendie, dommages causés par l'eau, vol, guerre, émeute, hostilités, cas de force majeure (ouragan, inondation, etc.).
- 7) Visites d'un technicien pour expliquer le fonctionnement de l'appareil au propriétaire.
- 8) Installation inappropriée (par exemple, encastrement d'un appareil autoportant, ou utilisation extérieure d'un appareil non conçu à cet effet).

Une preuve d'achat doit être présentée pour toute demande de réparation sous garantie. Prière de garder le reçu. Pour faire honorer la garantie, présenter ce document à la station technique agréée ou s'adresser à:

Service sous-garantie
Service au domicile

Danby Products Limited
PO Box 1778, Guelph, Ontario, Canada N1H 6Z9
Telephone: (519) 837-0920 FAX: (519) 837-0449

1-800-263-2629

Danby Products Inc.
PO Box 669, Findlay, Ohio, U.S.A. 45840
Telephone: (419) 425-8627 FAX: (419) 425-8629



Model • Modèle
DWC113BLSDB

For service, contact your nearest service depot or call:

1-800-26-Danby®
(1-800-263-2629)

to recommend a depot in your area.

Pour obtenir de l'assistance, communiquez avec votre centre de service le plus rapproché ou composez le :

1-800-26-Danby®
(1-800-263-2629)

pour localiser le dépositaire de votre région

Wine Cooler

The model number can be found on the serial plate located on the back panel of the unit.

All repair parts available for purchase or special order when you visit your nearest service depot. To request service and/or the location of the service depot nearest you, call the TOLL FREE NUMBER.

When requesting service or ordering parts, always provide the following information:

- Product Type
- Model Number
- Part Description

Refroidisseur de vin

Le numéro de modèle se trouve sur la plaque signalétique au dos de l'unité.

Vous pouvez vous procurer/commander toute pièce de rechange chez votre dépositaire le plus rapproché. Pour toute demande de service ou pour localiser le dépositaire/centre de service le plus rapproché, composez le NUMÉRO SANS FRAIS.

Pour toute demande de service ou commande de pièces, fournissez toujours l'information suivante :

- Type de produit
- Numéro de modèle
- Description de la pièce requise