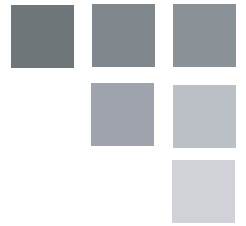


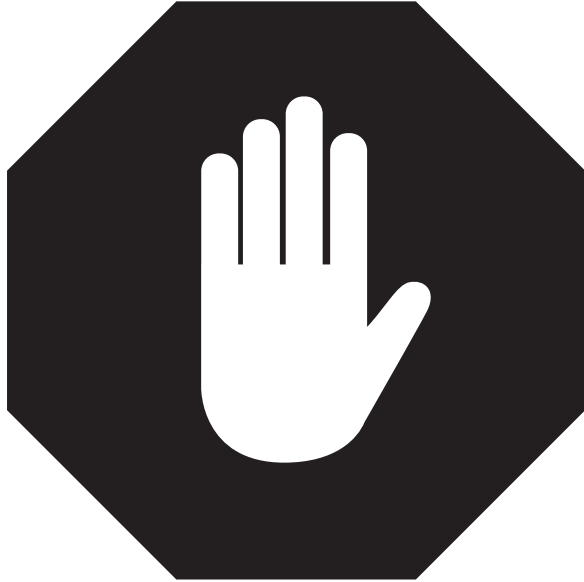


OWNER'S USE AND CARE GUIDE
GUIDE D'UTILISATION ET D'ENTRETIEN
GUÍA DE UTILIZACIÓN Y CUIDADO PARA EL PROPIETARIO

PARTIAL FROST FREE REFRIGERATOR
LE GEL PARTIEL RÉFRIGÉRATEUR GRATUITEMENT
REFRIGERADOR LIBRE DE ESCARCHA PARCIAL

MODEL • MODÈLE • MODELO
DPF073C1WDB





**1-800-263-2629
(1-800-26-DANBY)**

**DO NOT RETURN THIS UNIT TO THE RETAILER
WITHOUT FURTHER INSTRUCTIONS**

Dear valued customer, we hope your Danby product purchase fulfills all your requirements. Your satisfaction is our priority!
Please contact us at our toll free consumer service number for any inquiries you may have about your new unit.

**NE PAS RETOURNER CET APPAREIL CHEZ LE
DÉTAILLANT SANS CONSIGNES SUPPLÉMENTAIRES**

Cher(ère) client(e) important(e), nous espérons que votre produit Danby répond à tous vos besoins. Votre satisfaction est notre priorité!
Veuillez nous contacter au numéro gratuit de service après-vente, si vous avez des questions quelconques à propos de votre nouvel appareil.

**NO DEVUELVA ESTA UNIDAD A LA TIENDA SIN
INSTRUCCIONES ADICIONALES**

Estimado cliente, esperamos que el producto Danby que ha comprado satisfaga completamente sus necesidades. Su satisfacción es nuestra prioridad!
Por favor, contáctenos gratuitamente a nuestro número de Servicio al Cliente para cualquier pregunta que tenga sobre su nuevo electrodoméstico.

CONTENTS

TABLE DES MATIÈRES

ÍNDICE

PARTIAL FROST FREE REFRIGERATOR

Owner's Use and Care Guide1-11

- Welcome
- Important Safety Information
- Features
- Installation Instructions
- Operation Instructions
- Care and Maintenance
- Troubleshooting
- Warranty

LE GEL PARTIEL RÉFRIGÉRATEUR GRATUITEMENT

Guide d'utilisation et d'entretien du propriétaire.....12-22

- Bienvenue
- Consignes de sécurité importantes
- Caractéristiques
- Consignes d'installation
- Consignes d'utilisation
- Soins et entretien
- Dépannage
- Garantie

REFRIGERADOR LIBRE DE ESCARCHA PARCIAL

Guía de utilización y cuidado para el propietario.....23-33

- Bienvenido
- Información importante sobre seguridad
- Características
- Instrucciones de instalación
- Instrucciones de funcionamiento
- Cuidado y mantenimiento
- Solución sugerida
- Garantía

CAUTION:

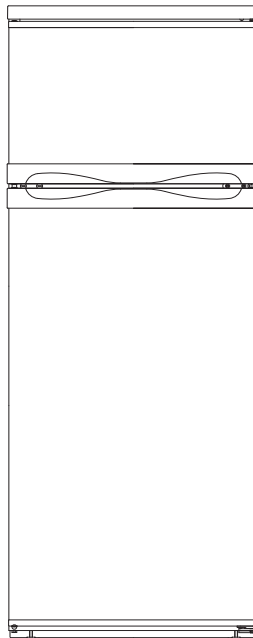
Read and follow all safety rules and operating instructions before first use of this product.

PRÉCAUTION :

Veillez lire attentivement les consignes de sécurité et les instructions d'utilisation avant l'utilisation initiale de ce produit.

PRECAUCIÓN:

Lea y observe todas las reglas de seguridad y las instrucciones de operación antes de usar este producto por la primera vez.



Model • Modèle • Modelo
DPF073C1WDB

Thank you for choosing Danby

We know you're excited. We are too! However, the more familiar you are with your new appliance, the better experience you will have. We therefore strongly suggest that you **read this Owner's Manual before plugging in your new appliance**. It contains important operational information that will help you make full use of the technical features available in your Danby appliance. The manual also contains information designed to enhance operating reliability and safety, as well as tips to maintaining your new appliance so that it brings you happiness for years to come.

Please visit www.danby.com to access self-service tools, FAQs and more. Should you need additional assistance, please call 1-800-26-DANBY (1-800-263-2629).

**Note: You will need the below information to obtain service under warranty.
To receive service, you must provide the original receipt.**

| | |
|--------------------------|-------|
| Model Number: | _____ |
| Serial Number: | _____ |
| Date of Purchase: | _____ |

NEED HELP?

Before you call for service, here are a few things you can do to help us serve you better:

Read this Owner's Manual:

It contains instructions to help you use and maintain your appliance properly.

If you received a damaged appliance:

Immediately contact the retailer (or builder) that sold you the appliance.

Save time and money:

Check the Troubleshooting section at the end of the guide before calling. This section helps you solve common problems that may occur.

If you do need service, you can relax, knowing help is only a phone call away.



1-800-26-**Danby**
(1-800-263-2629)



Important Safety Information

READ AND FOLLOW ALL SAFETY INSTRUCTIONS

Please ensure that component parts shall be replaced with like components and that servicing shall be done by factory authorized service personnel, so as to minimize the risk of possible ignition due to incorrect parts or improper service.

This appliance must be grounded. In the event of an electrical short circuit, grounding reduces the risk of electrical shock by providing an escape wire for the electrical current.

ELECTRICAL REQUIREMENTS

WARNING

ELECTRICAL RATING: The serial rating plate indicates the voltage and frequency the unit is designed for.

Due to possible variations in line voltage (caused by overloading of circuits), it is advisable to install a separate fuse circuit from the meter panel. This will help to eliminate current fluctuation which might cause motor trouble.



IMPORTANT WARNING

An empty refrigerator is a very dangerous attraction to children. Remove either the gasket or lid from unused appliances, or take some other action that will guarantee it harmless.

DANGER: Risk of child entrapment. Before you throw away your old refrigerator:

- Take off doors.
- Leave the shelves in place so that children may not easily climb in.

DON'T WAIT! DO IT NOW!



WARNING! EXPLOSION HAZARD!

Risk of fire or explosion due to puncturing of refrigerant tubing. Do not use sharp objects to aid in defrost. Please handle with care. Keep flammable materials and vapors such as gasoline away from the refrigerator. Use nonflammable cleaner.

Disposal of this unit should be in accordance with federal and local regulations.

GROUNDING INSTRUCTIONS

This appliance is equipped with a cord having a grounding wire with a grounding plug. The plug must be plugged into an outlet that is properly installed and grounded.

WARNING - Improper use of the grounding plug can result in a risk of electric shock. Consult a qualified electrician or service agent if the grounding instructions are not completely understood, or if doubt exists as to whether the appliance is properly grounded.

DO NOT USE AN EXTENSION CORD

Use an exclusive 115V wall outlet. Do not connect your refrigerator to extension cords or together with another appliance in the same wall outlet. Do not splice the cord.

SAVE THESE INSTRUCTIONS!



Important Safety Information

READ AND FOLLOW ALL SAFETY INSTRUCTIONS

ENERGY SAVING TIPS

- Try not to open the door too often, especially when the weather is hot and humid. Once you open the door, close it as soon as possible.
- Every now and then check if the appliance is sufficiently ventilated (adequate air circulation behind the appliance).
- Set the thermostat from cooler to warmer settings whenever possible (depending on how loaded the appliance is, ambient temperatures etc.).
- Before loading the appliance with packages of hot food, make sure that they are cooled to ambient temperature.
- Ice and frost layers increase energy consumption, so defrost the appliance as soon as the frost layer is 1/4 inch / 3-5 mm thick.
- If the gasket is damaged or the door seal is poor, energy consumption is substantially higher. To restore efficiency, replace the gasket.
- Always follow instructions stated in this manual.

DISPOSING OF YOUR OLD APPLIANCE

The refrigerator system of the appliance is filled with refrigerant and insulating substances which should be separately treated and processed. Call your nearest authorized service agent or specialized servicing centre. If you are unable to locate one, contact your local authorities or your distributor. Be careful not to damage the tubes on the rear wall of the appliance.

BEFORE STARTING

- To avoid vibration, the unit must be set level. This is accomplished by adjusting the front leveling leg, located under the refrigerator.
- Before connecting this appliance to electrical power supply, leave it to stand for approximately 24 hours, which will reduce the possibility of malfunction in the cooling system due to transport handling.
- This unit is not designed for outside installation, including installation anywhere that is not temperature controlled (including garages, porches, carports, etc.).
- If the unit is unplugged, has lost power, or is turned off, you must wait 3 to 5 minutes before restarting the unit. If you attempt to restart before this time delay, the refrigerator-freezer will not start.

SAVE THESE INSTRUCTIONS!



Installation Instructions

Remove exterior and interior packaging, wipe the outside thoroughly with a soft dry cloth and the inside with a luke-warm, wet cloth. Avoid placing the unit in a narrow recess or near any heat source, direct sunlight or moisture. Let air circulate freely around the unit. Keep the rear of the refrigerator 5 inches away from the wall.

LOCATION

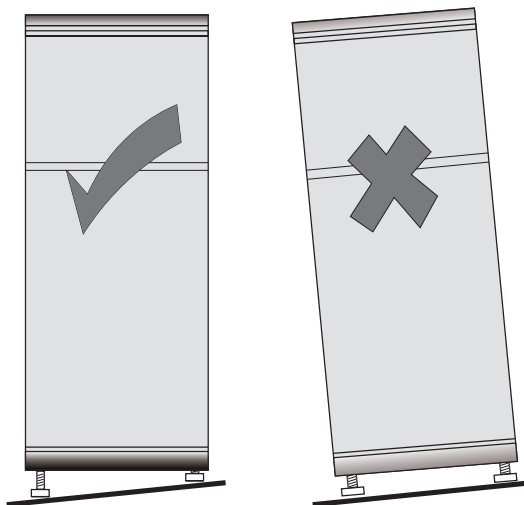
1. Select a place with a strong, level floor.
2. Allow 5 inches of space between the back of the refrigerator and any adjacent wall.
3. Avoid direct sunlight and heat. Direct sunlight could damage the unit. Heat sources nearby will cause higher electricity consumption.
4. Avoid moist places. Too much moisture in the air will cause frost to form very quickly on the evaporator, and your refrigerator will have to be defrosted more frequently.

To avoid vibration, the unit must be set level. This is accomplished by adjusting the front leveling leg, located under the refrigerator.

INSTALLATION

Place the appliance firmly on a solid base. This appliance has adjustable feet on the front side; use them to level the appliance.

NOTE: This appliance is intended for FREE-STANDING INSTALLATION ONLY, and is NOT intended to be built-in. This appliance is approved for INDOOR USE ONLY and is NOT intended for outdoor operation.

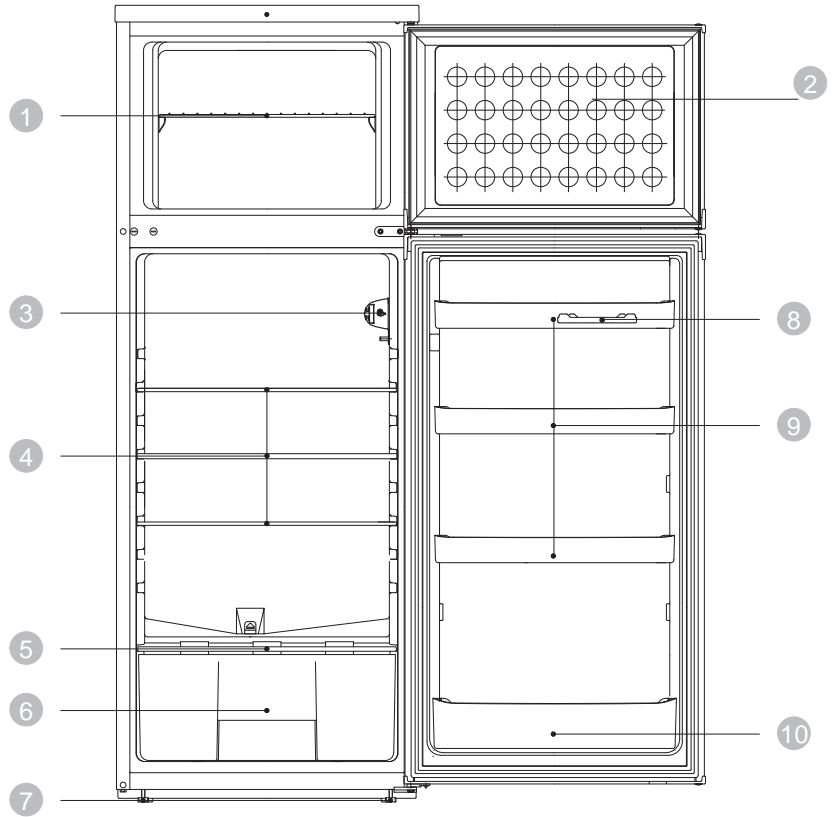




Operating Instructions

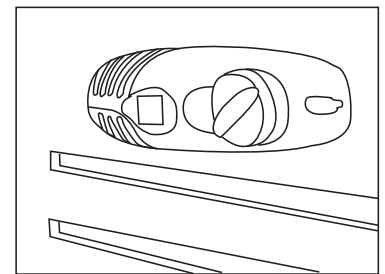
FEATURES

1. Freezer Shelf
2. Freezer Door
3. Thermostat Control
4. Refrigerator Shelves
5. Crisper Cover
6. Crisper
7. Leveling Legs
8. Egg Tray
9. Refrigerator Door Bin
10. Lower Door Bin



BULB REPLACEMENT

- Unplug the AC power cord from the wall.
- Remove the screw that holds the light bulb cover.
- Squeeze the tabs at the top and bottom of the light bulb cover simultaneously.
- Remove the light bulb cover.
- Make sure the light bulb is cool before removing.
- Unscrew the bulb
- Replace with a 10 watt bulb that is the same shape and size.
- Replace the light bulb cover.

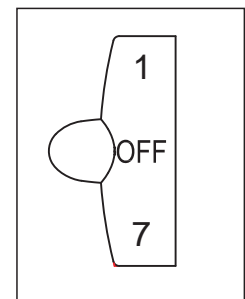


TEMPERATURE SELECTION

- The first time you turn the unit on, set the temperature control to “7,” the coolest setting.
- The range of temperature controls are from position “OFF,” or NO COOLING to “7,” the coldest. After 24 hours, adjust the temperature control to the setting that best suits your needs. The setting of “4” should be sufficient for home or office refrigerator use.

Note:

- If the unit is unplugged, has lost power, or has been turned off, you must wait 3 to 5 minutes before restarting the unit. If you attempt to restart before this time delay, the refrigerator will not start.
- Turning the refrigerator temperature control to the “OFF” position stops the cooling cycle but does not shut off the power to the unit.





Operating Instructions

DEFROSTING YOUR APPLIANCE

For most efficient operation and minimum energy consumption, defrost the freezer compartment when the frost on the appliance walls is excessive or 1/4 inch / 3-5 mm thick (see instructions below). There is no need to defrost the refrigerator compartment, because ice build up on the inner back wall is defrosted automatically. Ice may deposit on the inner back wall during the compressor operation; later on, when the compressor is not operating the ice will defrost and the water drops collect and drain through the outlet in the inner back wall into the drain pan situated above the compressor, from where it evaporates.

Caution: Do not use boiling water because it may damage the plastic parts. In addition, never use a sharp or metallic instrument to remove frost as it may damage the cooling coils and will void the warranty. We recommend using a plastic scraper if necessary.

- Reset the thermostat to the “0” or “Off” position and disconnect the power supply.
- Remove the frozen food from the appliance and place it in a cooler to protect the food.
- Leave the door open for a while so that you can easily remove the frost.
- Use a plastic scraper but be careful not to damage the inner surfaces of the freezer.
- Wipe up the scraped off frost and ice before it is completely defrosted.

FREEZING FRESH FOODS

- Proper use of the appliance, adequately packed food, correct temperature and taking into account hygienic precautions will substantially influence the quality of freezing the food or storing of the frozen foods.
- This compartment is designed for the short-term storage of frozen food.
- The storage life of frozen foods varies and the recommended storage time should not be exceeded.
- Pre-packaged commercially frozen food should be stored in accordance with the frozen foods manufacturer’s instructions for a three star frozen food storage compartment or home freezer.
- Place frozen food into the freezer as quickly as possible after purchase. If there are instructions on the package, carefully follow these instructions regarding storage times.
- Carefully select food you intend to freeze, it should be of adequate quality and suitable for freezing.
- Use correct packaging and wrap it tight.
- The packaging should be airtight and shouldn’t leak since this could cause substantial dehydration of foods.
- Foils and bags should be soft enough to tightly wrap around the foods.
- When preparing foods to be frozen, take sanitary precautions.
- Mark packages with the following data: kind and amount of food and the date of loading.
- It is extremely important that the food is frozen as quickly as possible.
- If the loading amount is too large, the quality of freezing is reduced which affects the quality of frozen foods.

FOOD STORAGE SUGGESTIONS

Fresh Food Compartment

- Never cover food compartment shelves with aluminum foil or any other shelf covering material which may prevent air circulation.
- Always remove porous store wrapping paper from meats, poultry and fish. Meats should be wrapped individually and placed in a dish for storage. Wrap fish and poultry in foil or heavy waxed paper. Most fish should be used the same day of purchase. Packaged meats such as ham, bacon, dried beef, or frankfurter, store best in their original packages.
- Allow warm foods to cool to room temperature before placing them in the refrigerator.
- Always cover open dishes of food, especially leftovers. Use leftovers within 2 or 3 days.



Operating Instructions

DOOR REVERSAL INSTRUCTIONS

CAUTION

To avoid personal injury to yourself and/or property, we recommend someone assist you during the door reversal process.

Your refrigerator is built with a reversible door. You have the choice of either opening it from the left or the right side. In order to reverse the opening direction of your door, please follow these simple instructions:

Door and Hinge Removal

1. Unplug refrigerator or disconnect power.
2. Keep both doors closed until you are ready to lift them free from the cabinet.

NOTE: Provide additional support for the doors while the hinges are being moved. Do not depend on the door magnets to hold the doors in place while you are working.

3. Remove the parts for the top hinge as shown in Top Hinge graphic. Lift the freezer door from the cabinet.
4. Remove the parts for the center hinge as shown in the Center Hinge graphic. Lift the refrigerator door free from the cabinet.
5. Remove the parts for the bottom hinge as shown in the Bottom Hinge graphic.

Door Reversal Cabinet

1. Remove the cover of upper hinge hole from left side and move them to opposite side.
2. Remove hole plugs from left side and move them to opposite side.

Doors

1. Remove door hinge hole plug from the top of freezer and refrigerator door.
2. Remove the door stop from refrigerator door and move to the other side.
3. Take out the left door stop of freezer door and screw from the accessory bag and fix it on the handle.

Note: The left door and the right door stop of the freezer door are different. They can't replace each other.

Door and Hinge Replacement

1. Replace the parts for the bottom hinge as shown. Tighten screws. Replace the refrigerator door.

NOTE: Provide additional support for the doors while the hinges are being moved. Do not depend on the door magnets to hold the doors in place while you are working.

2. Assemble the parts for the center hinge as shown and tighten all screws. Replace the freezer door.
3. Assemble the parts for the top hinge as shown. Do not tighten screws completely.
4. Line up the doors so that the bottom of the freezer door aligns evenly with the top of the refrigerator door. Tighten all screws.

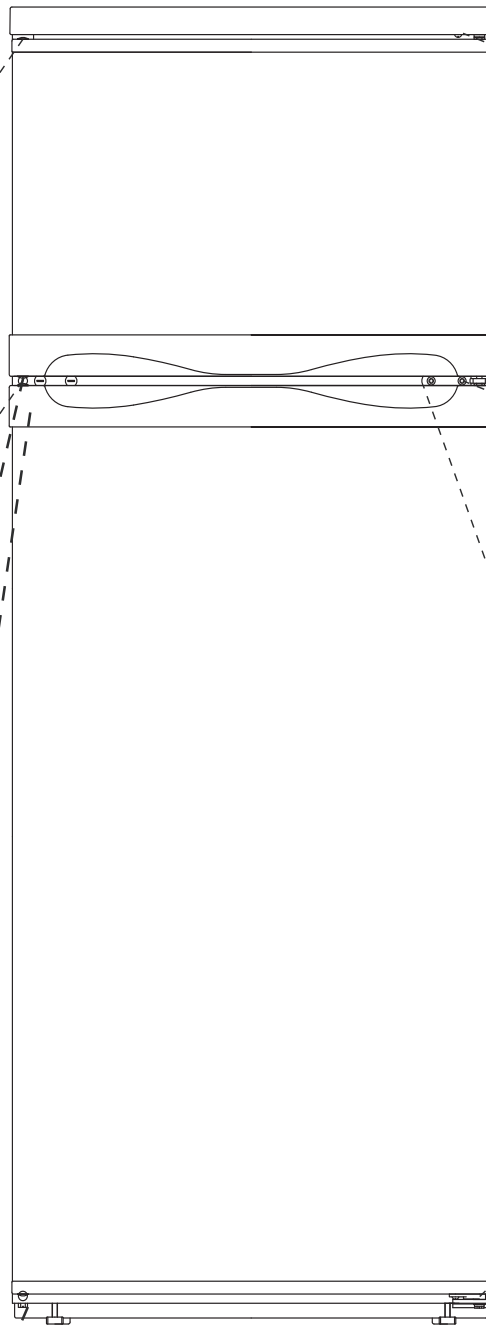
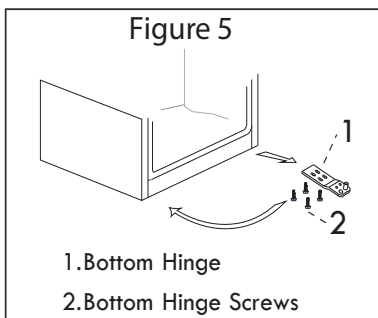
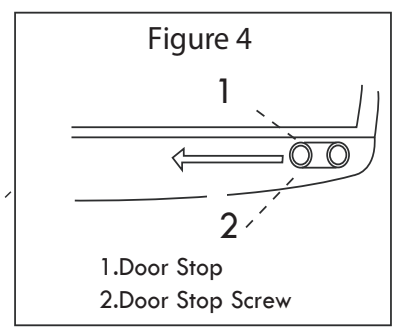
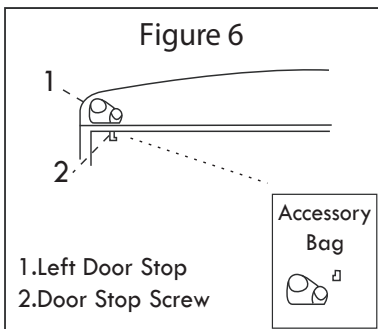
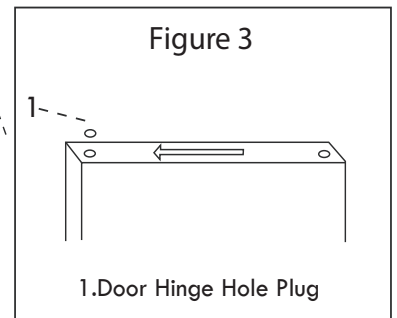
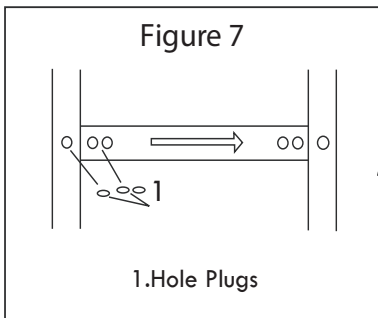
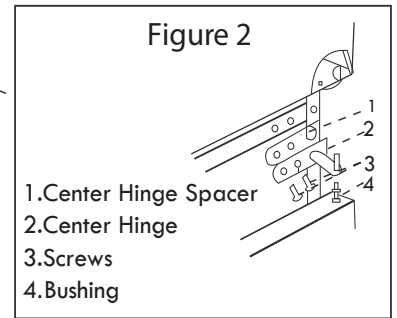
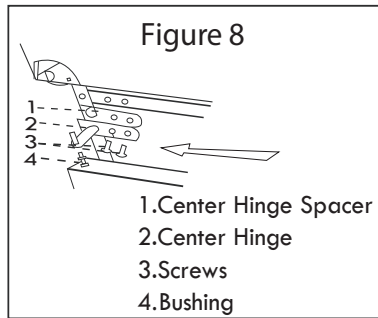
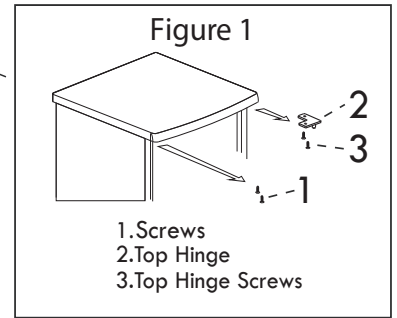
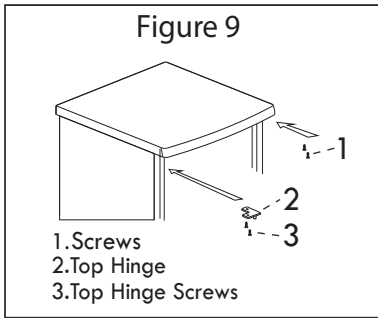
Final Steps

1. Check all holes to make sure that hole plugs and screws are in place.
2. Plug in refrigerator or reconnect power.
3. Reset the controls (see "temperature control" section).
4. Return all removable door parts to doors and food to product.



Operating Instructions

DOOR REVERSAL INSTRUCTIONS





Care and Maintenance

CLEANING THE APPLIANCE

- Turn the temperature control to the “OFF” position, unplug the unit and remove the food and interior accessories.
- Wash the inside with a warm water and baking soda solution. The solution should be about 2 tablespoons of baking soda to a quart of water.
- Wash the baskets / crisper and interior accessories with a mild detergent solution.
- The outside of the unit should be cleaned with mild detergent and warm water.

Caution: Failure to unplug the appliance could result in electrical shock or personal injury.

VEGETABLE CRISPER

The tray at the bottom of the refrigerator is covered to retain moisture. The crisper compartment will enable you to store vegetables and fruits which would otherwise dry out rapidly.

POWER FAILURE

Most power failures are corrected within a few hours and should not affect the temperature of your refrigerator-freezer if you minimize the number of times the door is opened. If the power is going to be off for a longer period of time, you need to take the proper steps to protect your food.

VACATION TIME

Short vacations: Leave the unit operating during vacations of less than three weeks.

Long vacations: If the appliance will not be used for several months, remove all food and unplug the power cord. Clean and dry the interior thoroughly. To prevent odor and mold growth, leave the door open slightly, blocking it open if necessary.

IF YOU MOVE

Remove or securely fasten down all loose items inside the unit. To avoid damaging the leveling legs (some models), turn them all the way in to the base.

SOME IMPORTANT RULES FOR THE CORRECT USE OF THE REFRIGERATOR

- Never place hot foods in the refrigerator.
- Never place spoiled foods in the refrigerator.
- Don't overload the refrigerator.
- Don't open the door unless necessary.
- Should the refrigerator be stored without use for long periods, it is suggested, after a careful cleaning, to leave the door ajar to allow the air to circulate inside the unit in order to avoid possible formations of condensation, mold or odors.



Troubleshooting

Occasionally, a minor problem may arise, and a service call may not be necessary- use this troubleshooting guide for a possible solution. If the unit continues to operate improperly, call an authorized service depot or **Danby's Toll Free Number** for assistance.

Tel: 1-800-26-**Danby**® (1-800-263-2629)

| PROBLEM | POSSIBLE CAUSE | SOLUTION |
|---|--|---|
| Does not work | <ul style="list-style-type: none"> No power to unit Power cord is unplugged Wrong voltage is being used | <ul style="list-style-type: none"> Check connection of power cord to power source Plug in the unit Use proper voltage |
| Refrigerator runs continuously | <ul style="list-style-type: none"> Temperature setting is too cold Door is not closed Hot food inserted Door opened too long or too often Close proximity to heat source or direct sunlight | <ul style="list-style-type: none"> Set temperature to a warmer setting Close door securely Be sure food is at room temperature before inserting Minimize door openings/duration Do not place unit close to heat sources or direct sunlight |
| Internal temperature not cold enough | <ul style="list-style-type: none"> No power to unit Power cord is unplugged Temperature control set too high (too warm) Door is not closed Hot food inserted Door opened too long or too often Air flow obstruction Wrong voltage is being used Close proximity to heat source or direct sunlight | <ul style="list-style-type: none"> Check connection of power cord to power source Plug in unit Check setting and increase (make cooler) as needed Close door securely Be sure that food is at room temperature Minimize door openings/duration Allow room for air to circulate around the unit Use proper voltage Do not place unit close to heat sources or direct sunlight |
| Internal temperature too cold | <ul style="list-style-type: none"> Temperature control set too cold | <ul style="list-style-type: none"> Adjust settings as needed |
| Freezer not cold enough | <ul style="list-style-type: none"> Temperature control too warm Door not closed Hot food inserted Doors open too long/often Wrong voltage being used | <ul style="list-style-type: none"> Adjust settings as needed Close door securely Cool food before inserting Minimize door openings/duration Use proper voltage |
| Light will not work | <ul style="list-style-type: none"> No power to unit Power cord is unplugged Bulb is loose/needs replacing Door switch is stuck | <ul style="list-style-type: none"> Check connection of power cord to power source Plug in unit Tighten or replace bulb Check the switch for obstructions, clean if necessary |

LIMITED IN-HOME APPLIANCE WARRANTY

This quality product is warranted to be free from manufacturer's defects in material and workmanship, provided that the unit is used under the normal operating conditions intended by the manufacturer.

This warranty is available only to the person to whom the unit was originally sold by Danby Products Limited (Canada) or Danby Products Inc. (U.S.A.) (hereafter "Danby") or by an authorized distributor of Danby, and is non-transferable.

TERMS OF WARRANTY

Plastic parts, are warranted for thirty (30) days only from purchase date, with no extensions provided.

First year During the first twelve (12) months, any functional parts of this product found to be defective, will be repaired or replaced, at warrantor's option, at no charge to the ORIGINAL purchaser.

To obtain service Danby reserves the right to limit the boundaries of "In Home Service" to the proximity of an Authorized Service Depot. Any appliance requiring service outside the limited boundaries of "In Home Service", it will be the consumer's responsibility to transport the appliance (at their own expense) to the original retailer (point of purchase) or a service depot for repair. See "Boundaries of In Home Service" below. Contact your dealer from whom your unit was purchased, or contact your nearest authorized Danby service depot, where service must be performed by a qualified service technician. If service is performed on the units by anyone other than an authorized service depot, or the unit is used for commercial application, all obligations of Danby under this warranty shall be void.

Boundaries of in-home service If the appliance is installed in a location that is 100 kilometres (62 miles) or more from the nearest service centre your unit must be delivered to the nearest authorized Danby Service Depot, as service must only be performed by a technician qualified and certified for warranty service by Danby. Transportation charges to and from the service location are not protected by this warranty and are the responsibility of the purchaser.

Nothing within this warranty shall imply that Danby will be responsible or liable for any spoilage or damage to food or other contents of this appliance, whether due to any defect of the appliance, or its use, whether proper or improper.

EXCLUSIONS

Save as herein provided, by Danby, there are no other warranties, conditions, representations or guarantees, express or implied, made or intended by Danby or its authorized distributors and all other warranties, conditions, representations or guarantees, including any warranties, conditions, representations or guarantees under any Sale of Goods Act or like legislation or statute is hereby expressly excluded. Save as herein provided, Danby shall not be responsible for any damages to persons or property, including the unit itself, howsoever caused or any consequential damages arising from the malfunction of the unit and by the purchase of the unit, the purchaser does hereby agree to indemnify and hold harmless Danby from any claim for damages to persons or property caused by the unit.

GENERAL PROVISIONS

No warranty or insurance herein contained or set out shall apply when damage or repair is caused by any of the following:

- 1) Power failure.
- 2) Damage in transit or when moving the appliance.
- 3) Improper power supply such as low voltage, defective house wiring or inadequate fuses.
- 4) Accident, alteration, abuse or misuse of the appliance such as inadequate air circulation in the room or abnormal operating conditions (extremely high or low room temperature).
- 5) Use for commercial or industrial purposes (i.e., If the appliance is not installed in a domestic residence).
- 6) Fire, water damage, theft, war, riot, hostility, acts of God such as hurricanes, floods etc.
- 7) Service calls resulting in customer education.
- 8) Improper Installation (i.e., building-in of a free standing appliance or using an appliance outdoors that is not approved for outdoor application). Proof of purchase date will be required for warranty claims; so, please retain bills of sale. In the event warranty service is required, present this document to our AUTHORIZED SERVICE DEPOT.

Warranty Service
In-home

Danby Products Limited
PO Box 1778, Guelph, Ontario, Canada N1H 6Z9
Telephone: (519) 837-0920 FAX: (519) 837-0449

1-800-263-2629
07/14

Danby Products Inc.
PO Box 669, Findlay, Ohio, U.S.A. 45840
Telephone: (419) 425-8627 FAX: (419) 425-8629

Merci d'avoir choisi Danby

Nous savons que vous êtes excité. Nous sommes aussi! Cependant, le plus que vous vous familiarisez avec votre nouvel appareil, le mieux va être votre expérience. Nous suggérons donc de **lire ces instructions avant connecter votre nouvel appareil**. Ce manuel contient des informations opérationnel important qui vous aidera à faire un usage pleine de les caractéristiques techniques disponibles dans votre appareil Danby. Le manuel contient également des informations conçu pour améliorer la fiabilité et la sécurité de votre appareil ainsi que des conseils pour le maintien, pour vous assurez des années de bonheur.

Se il vous plaît visitez www.danby.com pour accéder les outils libre-service, FAQ et plus encore. Si jamais vous avez besoin d'aide supplémentaire, s'il vous plaît appelez 1-800-26-Danby (1-800-263-2629). S'il vous plaît ayez votre facture d'achat, le numéro de modèle, et le numéro de série près durant l'appel.

Remarque : Ces renseignements seront nécessaires si votre appareil a besoin d'entretien ou pour les demandes de renseignements généraux. Pour bénéficier d'une opération de maintenance ou de dépannage, le reçu original sera exigé.

Numéro de modèle : _____

Numéro de serie : _____

Date d'achat : _____

BESOIN D'ASSISTANCE ?

Veuillez trouver quelques conseils avant de faire appel à nos services, cela nous aidera à mieux vous servir :

Lisez ce guide :

Il comprend des instructions pour l'utilisation et l'entretien adapté de votre appareil.

Si votre nouvel appareil est endommagé :

Contactez immédiatement le revendeur (ou le fabricant).

Gagnez du temps et de l'argent :

Avant de faire appel à nos services, consultez à nouveau la section « Dépannage ». Cette section vous aidera à résoudre des problèmes courants.

Si une réparation est nécessaire, ne vous inquiétez pas, la solution est au bout du fil.



1-800-26-**Danby**
(1-800-263-2629)



Consignes de sécurité importantes

PRENDRE CONNAISSANCE DE TOUTES LES INFORMATIONS RELATIVES À LA SÉCURITÉ AVANT D'UTILISER LE PRODUIT

Veillez vous assurer que les pièces de rechange sont remplacées par des pièces similaires, et que l'entretien soit effectué par un technicien agréé par l'usine, afin réduire le risque d'incendie à cause de mauvaises pièces ou d'entretien mal fait.

Cet appareil doit être mis à la terre. En cas de court-circuit, la mise à la terre réduit les risques de décharge électrique en fournissant un échappatoire au courant électrique. L'appareil est muni d'un cordon électrique comprenant un fil de mise à la terre et une fiche de terre.

CONDITIONS ÉLECTRIQUES

ATTENTION

ÉNERGIE ÉLECTRIQUE : Le voltage et la fréquence requis pour ce réfrigérateur sont indiqués sur la plaque d'identification.

Dû aux variations possibles sur la ligne de voltage (causé par une surcharge des circuits) il est recommandé d'installer un circuit séparé avec fusibles à partir du panneau compteur. Ceci aidera à éliminer les fluctuations du courant qui peuvent endommager le moteur.



AVERTISSEMENT IMPORTANT!

Un réfrigérateur vide peut représenter un attrait dangereux aux enfants. Retirer le joint d'étanchéité, les loquets, les couvercles ou portes des appareils ménagers inutilisés, ou prenez d'autres mesures qui assureront que l'appareil ne posera aucun danger.

DANGER : Risque de piéger un enfant. Avant de mettre votre vieux congélateur ou réfrigérateur au rebut :

- Enlever les portes.
- Laisser les tablettes en place afin que les enfants ne puissent pas facilement y entrer.

N'ATTENDEZ PAS! FAITES-LE IMMÉDIATEMENT!



AVERTISSEMENT! DANGER D'EXPLOSION!

Risque d'incendie ou d'explosion causé par la perforation de tuyaux frigorigènes. Ne jamais utiliser un objet pointu pour assister au dégel. Manipuler avec soin. Garder les matériaux et vapeurs inflammables comme de l'essence loin du réfrigérateur. Utiliser un nettoyant ininflammable.

La mise au rebut de cet item doit être faite selon les lois locales et fédérales.

MISE À LA TERRE

L'appareil est muni d'un cordon électrique comprenant un fil de mise à la terre et une fiche de terre. Branchez la fiche dans une prise de courant correctement installée et mise à la terre.

AVERTISSEMENT - Une fiche de mise à la terre mal branchée peut entraîner un risque d'incendie, de choc électrique ou de blessures aux personnes qui utilisent l'appareil. Si vous n'êtes pas certain que l'appareil est correctement mis à la terre, consultez un préposé du service qualifié.

N'UTILISER JAMAIS DE FIL DE RALLONGE

Branchez le réfrigérateur à son propre circuit de 115V. N'utilisez pas de rallonge électrique pour brancher votre réfrigérateur. Ne branchez pas le réfrigérateur à une prise femelle multiple qui sera également utilisée pour d'autres appareils électriques. N'épissez pas le cordon électrique.

CONSERVEZ CES INSTRUCTIONS!



Consignes de sécurité importantes

**PRENDRE CONNAISSANCE DE TOUTES LES INFORMATIONS
RELATIVES À LA SÉCURITÉ AVANT D'UTILISER LE PRODUIT**

CONSEILS RELATIFS AUX ÉCONOMIES D'ÉNERGIE

- Essayez de ne pas ouvrir la porte trop fréquemment, surtout lorsque les conditions météorologiques sont chaudes et humides. Une fois la porte ouverte, fermez-la dès que possible.
- Vérifiez de temps en temps si l'appareil est suffisamment ventilé (si l'air circule bien derrière l'appareil).
- Réglez le thermostat dès que possible pour que les paramètres passent d'une valeur élevée à moins élevée (en fonction du volume de l'appareil occupé par les aliments, de la température de la pièce, etc.).
- Avant de mettre au réfrigérateur des emballages contenant des aliments frais, assurez-vous qu'ils sont refroidis à la température de la pièce.
- La présence de couches de glace et de givre augment la consommation d'énergie; dégivrez l'appareil dès que l'épaisseur de la couche de givre atteint 3 à 5 mm / 1/4 po.
- Lorsque le joint d'étanchéité est endommagé ou que la porte ne ferme pas hermétiquement, la consommation d'énergie est considérablement plus élevée. Afin de rétablir l'efficacité remplacez le joint d'étanchéité.
- Il convient de toujours prendre en compte les directives figurant dans le guide d'utilisation.

ÉLIMINATION DES APPAREILS USÉS

Le système frigorifique de l'appareil contient un fluide frigorigène et des substances isolantes qui doivent être transformés et traités séparément. Appelez votre réparateur autorisé ou centre de réparations spécialisé le plus proche. Si vous êtes dans l'impossibilité d'en trouver un, contactez les autorités ou le distributeur de votre localité. Prenez soin de ne pas endommager les tubes situés sur la paroi arrière de l'appareil.

AVANT DE COMMENCER

- Pour éviter la vibration, l'appareil doit être absolument horizontal. Les deux premières pieds de nivellement au-dessous du réfrigérateur peuvent être ajustés.
- Laissez reposer le réfrigérateur pendant 24 heures avant de le brancher à l'alimentation électrique. Ceci réduit la possibilité de problèmes du système de refroidissement causés par la manutention durant le transport.
- Cet appareil n'a pas été conçu pour une installation extérieure, incluant l'installation dans un endroit qui n'a pas une température contrôlée (y compris les garages, les vérandas, les abris de voitures, etc.).
- Lorsque l'appareil est débranché, que le courant est coupé ou qu'il est arrêté, il faut attendre de 3 à 5 minutes avant de le remettre en marche. En cas de tentative de remise en marche avant que ce laps de temps se soit écoulé, le réfrigérateur-congélateur ne se remettra pas en marche.

CONSERVEZ CES INSTRUCTIONS!



Instructions d'installation

EMPLACEMENT

Enlevez les emballages extérieurs et intérieurs. Essuyez complètement l'extérieur avec un linge doux sec et l'intérieur avec un linge humide tiède. Il ne faut jamais situer l'appareil dans un recoin étroit, proche d'une source d'air chaud. L'air doit circuler à l'entour de l'appareil. Eloigner le réfrigérateur au moins 5 pouces du mur.

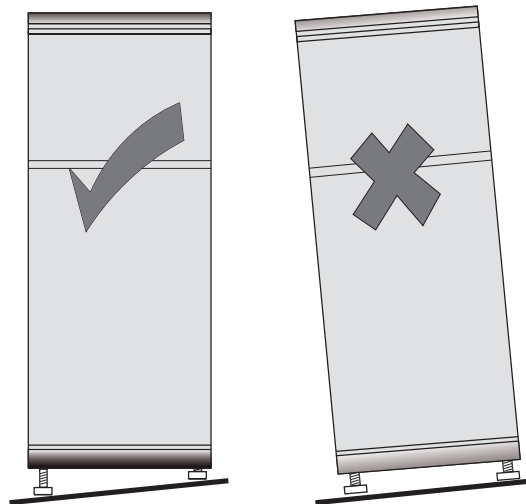
1. Choisir un place qui a un plancher fort et à niveau.
2. Éloigner l'appareil de 5 pouces des murs arrière et de côté.
3. Éviter les rayons de soleil et la chaleur directs qui peuvent affecter la surface en acrylique. Les sources de chaleur rapprochées augmentent la consommation d'énergie.
4. Éviter les endroits très humides. L'humidité élevée dans l'air occasionne la formation rapide de gèle sur l'évaporateur et le réfrigérateur. Le réfrigérateur devra être dégivré fréquemment.

Pour éviter les vibrations, l'unité doit être de niveau ensemble. Ceci est réalisé en ajustant le pied de nivellement avant, située sous le réfrigérateur.

INSTALLATION

Placez l'appareil de manière à ce qu'il repose de manière ferme sur une base solide. L'appareil possède des pieds réglables à l'avant; utilisez-les pour mettre les appareils à niveau.

REMARQUE : Cet appareil est pour L'INSTALLATION AUTONOME SEULEMENT, et n'est pas pour l'installation intégrée. Cet appareil est approuvé pour L'USAGE D'INTÉRIEUR SEULEMENT et n'est pas approuvé pour l'usage extérieur.

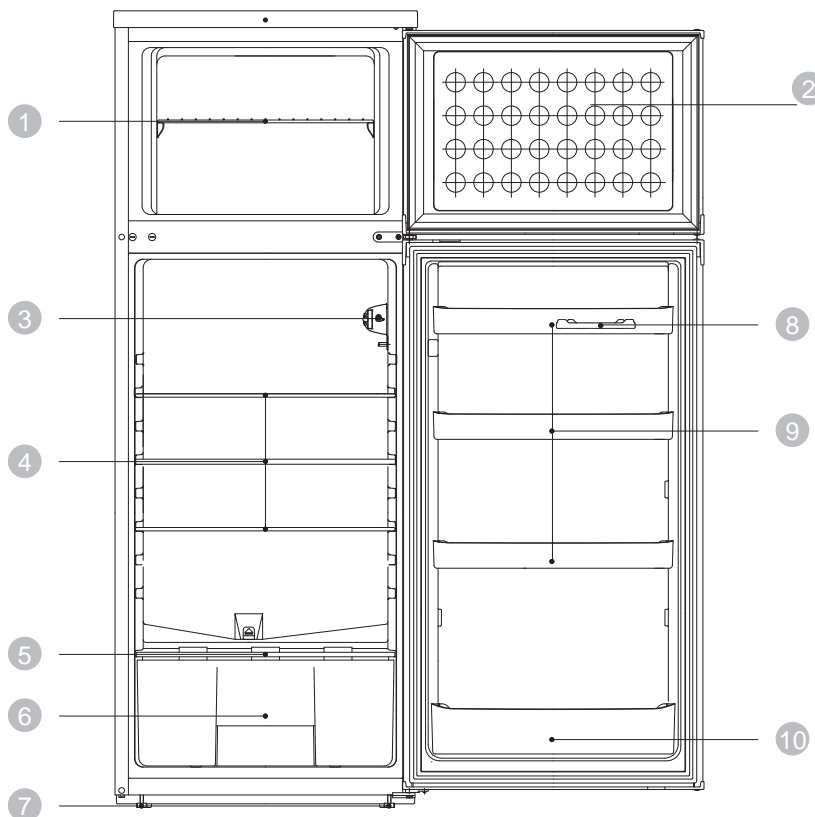




Consignes d'utilisation

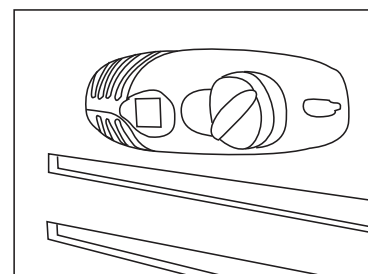
CARACTÉRISTIQUES

1. Clayette du congélateur
2. Porte du congélateur
3. Cadran du thermostat
4. Clayettes du réfrigérateur
5. Couvercle en verre
6. Bac à légumes
7. Pieds de nivellement
8. Plateau à œufs
9. Casier de rangement dans la porte du réfrigérateur
10. Casier de rangement inférieur



CHANGEMENT DE L'AMPOULE

- Débranchez le cordon d'alimentation du mur.
- Retirez la vis qui maintient le couvercle de l'ampoule.
- Pressez simultanément les onglets en haut et en bas de la couverture de l'ampoule.
- Retirez le couvercle de l'ampoule.
- Avant de la retirer, assurez-vous que l'ampoule a refroidi.
- Dévissez l'ampoule.
- Remplacez-la par une ampoule de 10 watts qui est de la même forme et de la même taille.
- Remplacez le couvercle sur l'ampoule.

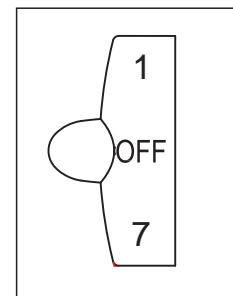


SÉLECTION DE LA TEMPÉRATURE

- La première fois que vous allumez l'appareil, réglez le contrôle de la température à « 7 », la température la plus froide.
- Le contrôle de température va de la position « OFF » c.-à-d. PAS DE REFROIDISSEMENT à la position « 7 », la température la plus froide. Après 24 à 48 heures, ajustez le thermostat à la température qui correspond le mieux à vos besoins. La position « 4 » est celle qui convient pour l'utilisation du réfrigérateur à la maison ou au bureau.

Remarque :

- Lorsque l'appareil est débranché, que le courant est coupé ou qu'il est arrêté, il faut attendre de 3 à 5 minutes avant de le remettre en marche. En cas de tentative de remise en marche avant que ce laps de temps se soit écoulé, le réfrigérateur ne se remettra pas en marche.
- Tourner le thermostat sur la position « OFF » arrête le cycle de refroidissement, mais ne coupe pas l'alimentation électrique de l'unité.





Consignes d'utilisation

DÉGIVRER VOTRE APPAREIL

Pour un fonctionnement efficace et une consommation d'énergie minimale, dégivrez le congélateur lorsque le givre sur les murs de l'appareil atteint plus de 3-5 mm ou 1/4 de pouce d'épaisseur (voir les instructions ci-dessous). Nul besoin de dégivrer la partie réfrigérateur, car les dépôts de glace se formant sur la paroi arrière intérieure sont dégivrés de manière automatique. Il se peut que de la glace se dépose sur la paroi intérieure arrière lorsque le compresseur est en marche. Par contre, si le compresseur n'est pas en état de marche, la glace sera dégivrée et les gouttes d'eau seront recueillies. Elles sont évacuées par la sortie de la paroi arrière intérieure et se déversent dans le bac situé au-dessus du compresseur, d'où elles s'évaporent.

Mise en garde : N'utilisez pas d'eau bouillante car elle pourrait abîmer les pièces en plastique. Aussi, n'utilisez jamais d'instrument pointu ou métallique pour enlever le givre car vous pourriez endommager les serpentins de refroidissement et par conséquent annuler la garantie. Nous vous recommandons d'utiliser un grattoir en plastique.

- Remettez le thermostat à la position « 0 » ou « OFF » et débranchez l'appareil.
- Retirez les aliments congelés de l'appareil et placez-les dans une glacière pour les garder au frais.
- Laissez la porte ouverte assez longtemps pour ramollir le givre pour pouvoir le retirer facilement à l'aide d'un grattoir.
- Utilisez un grattoir en plastique, mais attention à ne pas endommager les surfaces intérieures du congélateur.
- Avant qu'ils ne soient complètement décongelés, essuyez le givre et la glace.

CONGÉLATION DES DENRÉES FRAÎCHES

- Utiliser convenablement l'appareil, emballer les aliments adéquatement, ajuster la température correctement et tenir compte de précautions d'hygiène adéquates influencera de façon substantielle la qualité des aliments congelés.
- La durée de conservation des aliments congelés varie, par conséquent on ne doit dépasser la période d'entreposage maximale recommandée.
- Les aliments congelés pré-emballés commercialement doivent être entreposés conformément aux instructions du fabricant de produits congelés.
- Placez les aliments congelés au congélateur le plus rapidement possible après l'achat. Lorsque l'emballage comporte des indications, observez-les de manière stricte en ce qui touche les périodes de conservation.
- Choisir soigneusement la nourriture que vous avez l'intention de congeler, elle doit être de bonne qualité et être adaptée à la congélation.
- Utilisez l'emballage qui convient et enveloppez les aliments hermétiquement.
- L'emballage doit être hermétique et ne devrait pas avoir de fuites car cela pourrait causer la déshydratation des aliments.
- Les feuilles d'emballage et les sacs doivent être relativement souples pour bien envelopper la nourriture.
- Lorsque vous préparez des aliments pour les mettre au congélateur, prenez toutes les précautions sanitaires.
- Inscrivez les données suivantes sur tous les emballages : type et quantité de nourriture, et date d'entreposage.
- Il est extrêmement important que la nourriture soit congelée le plus vite possible.
- Si le congélateur est trop rempli, l'efficacité de la congélation est réduite, ce qui affecte la qualité des aliments congelés.

RANGEMENTS DES ALIMENTS

Compartiments pour aliments frais

- Ne jamais recouvrir les clayettes du compartiment de papier d'aluminium ou autres matériaux car ceci peut empêcher la circulation d'air.
- Enlever toujours les emballages perméables du marchand qui recouvrent la viande, volaille et le poisson. Les viandes doivent être emballées individuellement, et déposées dans un récipient pour le rangement. Emballer la volaille ou le poisson dans du papier aluminium ou du papier ciré épais. Faites cuire la plupart de sorte de poissons le jour de l'achat. Les viandes emballées par le marchand, telles que le jambon, le bacon, le boeuf sec, ou les saucisses fumées se rangent très bien dans leur emballage.
- Laisser refroidir les aliments à la température de la pièce avant de les ranger dans le réfrigérateur.
- Toujours recouvrir les aliments, surtout les restants. Utiliser les restants avant 2 à 3 jours.



Consignes d'utilisation

INSTRUCTIONS DE PORTE RÉVERSIBLE

ATTENTION

Afin d'éviter de vous blesser ou de causer des dégâts matériels, nous vous recommandons de solliciter l'aide d'autrui lors des manœuvres liées à l'inversion de la porte.

Votre réfrigérateur est muni d'une porte réversible. Vous pouvez donc l'ouvrir par la gauche ou par la droite. Pour inverser l'ouverture de la porte, il vous suffit de suivre les consignes suivantes :

Désinstallation de la porte et des charnières

1. Débranchez le réfrigérateur ou coupez l'alimentation électrique.
2. Laissez les deux portes fermées jusqu'à ce que vous soyez prêt à les soulever pour les séparer du meuble.

REMARQUE : Assurez un soutien supplémentaire des portes pendant la désinstallation des charnières. Ne vous fiez pas aux aimants des portes pour tenir celles-ci en place pendant que vous travaillez.

3. Retirez les pièces de la charnière supérieure comme le montre l'illustration de la charnière supérieure. Soulevez la porte du congélateur pour la séparer du meuble.
4. Retirez les pièces de la charnière centrale comme le montre l'illustration de la charnière centrale. Soulevez la porte du réfrigérateur pour la séparer du meuble.
5. Retirez les pièces de la charnière inférieure comme le montre l'illustration de la charnière inférieure.

Inversion de la porte

1. Retirez les capuchons des trous de la charnière supérieure du côté gauche et mettez-les sur le côté opposé.
2. Retirez les bouchons des trous du côté gauche et mettez-les sur le côté opposé.

Portes

1. Retirez le bouchon du trou de la charnière du haut de la porte du congélateur et du réfrigérateur.
2. Retirez l'arrêt de porte de la porte du réfrigérateur et mettez-le sur le côté opposé.
3. Retirez l'arrêt de porte gauche de la porte du congélateur et la vis du sac d'accessoires, puis fixez l'arrêt sur la poignée.

Remarque :

L'arrêt de porte gauche et l'arrêt de porte droit de la porte du congélateur sont différents. Ils ne sont pas interchangeables.

Remplacement de la porte et de la charnière

1. Remettez les pièces de la charnière inférieure en place comme le montre l'illustration. Resserrez les vis. Remettez la porte du réfrigérateur en place.

REMARQUE :

Assurez un soutien supplémentaire des portes pendant la désinstallation des charnières. Ne vous fiez pas aux aimants des portes pour tenir celles-ci en place pendant que vous travaillez.

2. Assemblez les pièces de la charnière centrale comme le montre l'illustration et resserrez toutes les vis. Remettez la porte du congélateur en place.
3. Assemblez les pièces de la charnière supérieure comme le montre l'illustration. Ne serrez pas les vis à fond.
4. Positionnez les portes de sorte que la partie inférieure de la porte du congélateur soit dans le prolongement exact de la partie supérieure de la porte du réfrigérateur. Resserrez toutes les vis.

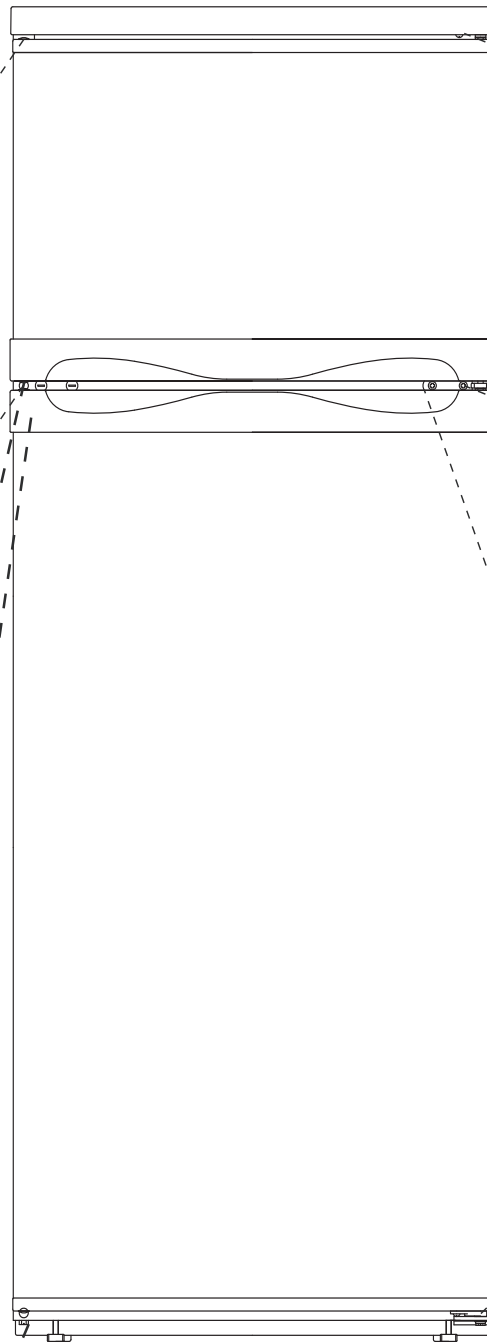
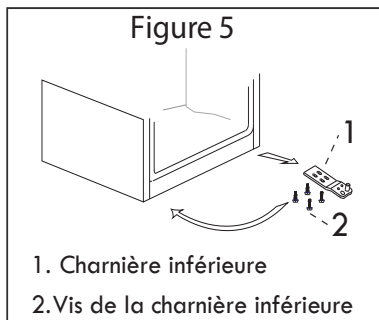
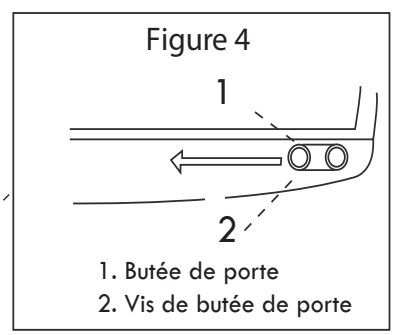
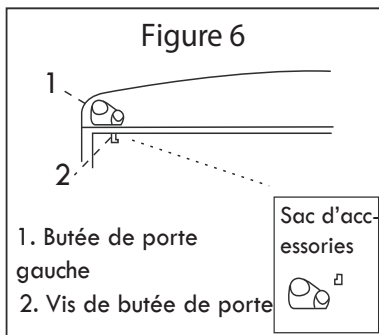
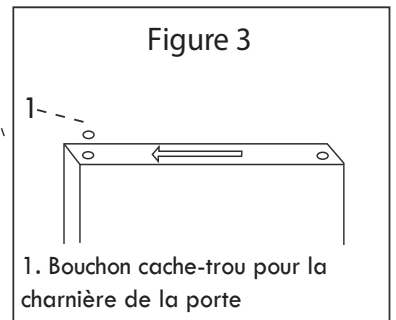
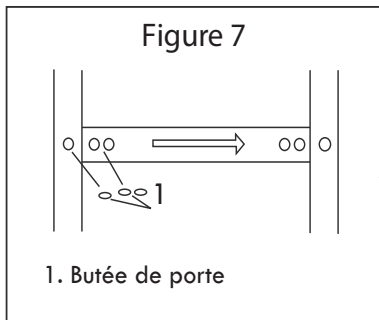
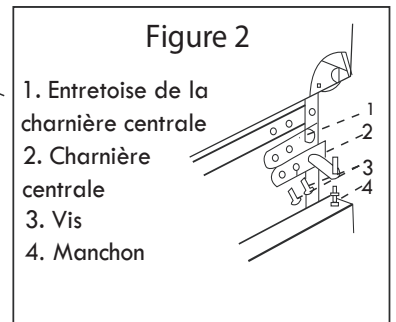
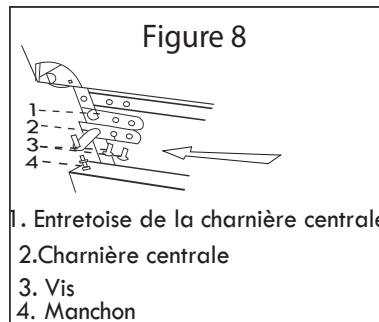
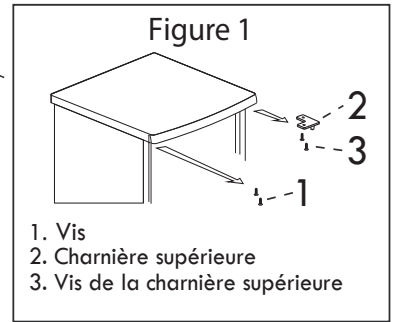
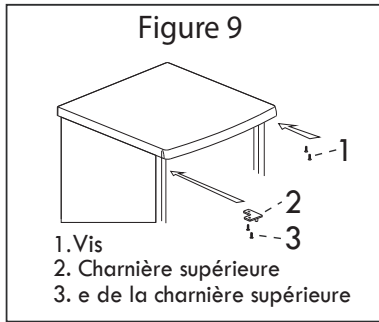
Dernières étapes

1. Inspectez chaque trou pour vous assurer que les bouchons et les vis sont en place.
2. Branchez le réfrigérateur ou rétablissez le courant.
3. Remettez les réglages au niveau désiré (voir la section intitulée « Réglage du thermostat »).
4. Réinstallez les pièces amovibles à l'intérieur des portes, et remettez la nourriture dans le réfrigérateur.



Consignes d'utilisation

INSTRUCTIONS DE PORTE RÉVERSIBLE





Soins et entretien

NETTOYAGE DE L'APPAREIL

- Tournez le thermostat à « OFF », débranchez l'appareil et retirez les accessoires intérieurs.
- Lavez l'intérieur au bicarbonate de soude dilué dans de l'eau chaude. La solution doit contenir 2 cuillères à soupe de bicarbonate de soude pour un litre d'eau.
- Lavez les accessoires intérieurs avec une solution de détergent non abrasif.
- L'extérieur de l'appareil doit être nettoyé à l'aide d'un détergent doux dilué dans de l'eau chaude.

Mise en garde : Ne pas débrancher le réfrigérateur-congélateur pourrait vous exposer à un risque de choc électrique ou de blessure corporelle.

BAC À LÉGUMES ET À FRUITS

Le plateau situé à bas du réfrigérateur est couvert pour conserver l'humidité. Le bac à légumes et à fruits vous permet de conserver les légumes et les fruits qui se dessècheraient rapidement autrement.

PANNE D'ÉLECTRICITÉ

La plupart des pannes de courant ne durent que quelques heures et ne devraient pas modifier la température de votre réfrigérateur-congélateur si vous réduisez au minimum le nombre de fois où la porte est ouverte. Si le courant reste coupé pendant une longue période, il faut prendre des mesures pour protéger les aliments dans l'appareil.

PÉRIODE DE VACANCES

Des vacances de courte durée : Laissez l'appareil fonctionner normalement pendant des vacances de moins de trois semaines.

Des vacances de longue durée : Si l'appareil ne sera pas utilisé pendant plusieurs mois, videz-le de tous ses aliments et débranchez la fiche d'alimentation. Nettoyez et asséchez minutieusement l'intérieur. Pour éviter les odeurs et le développement de moisissures, laissez la porte entrouverte : la coincer au besoin.

DÉMENAGEMENT

Enlever ou immobiliser toutes les pièces amovibles (c'-à-d les clayettes) à l'intérieur du réfrigérateur. Serrer les vis à nivellement à la base afin de ne pas les endommager (sur certains modèles).

IMPORTANTES CONSIGNES DE SÉCURITÉ POUR L'UTILISATION DU CONGÉLATEUR

- Ne jamais ranger d'aliments chauds dans le congélateur.
- Ne jamais placer des aliments pourris dans le réfrigérateur.
- Ne jamais surcharger l'appareil.
- Ouvrir le couvercle seulement si nécessaire.
- Pour un rangement prolongé de l'appareil, il est suggéré de laver l'appareil, de laisser la porte ouverte afin de fournir une circulation d'air à l'intérieur du meuble et d'éviter le développement de condensation, de moisissures et d'odeurs.



Dépannage

De temps en temps, un problème est mineur et un appel de service peut ne pas être nécessaire. Utilisez ce guide de dépannage pour trouver une solution possible. Si l'unité continue de fonctionner incorrectement, appelez un dépôt de service autorisé ou le **numéro sans frais de Danby** pour obtenir de l'assistance.

Tel: 1-800-26-**Danby**® (1-800-263-2629)

| PROBLEME | CAUSE PROBABLE | SOLUTION |
|--|--|--|
| Ne fonctionne pas | <ul style="list-style-type: none"> • Pas de tension à l'unité • Le cordon d'alimentation est débranché • Le mauvais voltage est utilisé | <ul style="list-style-type: none"> • Vérifiez la connexion du cordon d'alimentation • Branchez l'appareil • Utilisez le voltage approprié |
| Le réfrigérateur fonctionne sans arrêt | <ul style="list-style-type: none"> • La température est réglage trop haut • La porte n'est pas fermée • De la nourriture chaude a été insérée • La porte est ouverte trop souvent / longtemps • Proximité d'une source de chaleur ou source de soleil | <ul style="list-style-type: none"> • Régler la température plus élevée • Fermez la porte • Assurez-vous que la nourriture est frais avant de la placer dans l'appareil • Minimisez l'ouverture de la porte • Ne placez pas l'appareil près d'une ou exposition directe aux rayons de la chaleur et du soleil |
| La température interne n'est pas assez froide | <ul style="list-style-type: none"> • Pas de tension à l'unité • Le cordon d'alimentation est débranché • Le contrôle de la température est trop bas • La porte n'est pas fermée • La nourriture est chaude • La porte est ouverte trop souvent / longtemps • Obstruction de la circulation de l'air • Le mauvais voltage est utilisé • Proximité d'une source de chaleur ou exposition directe aux rayons du soleil | <ul style="list-style-type: none"> • Vérifiez la connexion du cordon d'alimentation • Branchez l'appareil • Vérifiez le réglage et augmentez-le au besoin • Fermez la porte • Assurez-vous que la nourriture est frais avant de la placer dans l'appareil • Minimisez l'ouverture de la porte • Laissez l'air circuler dans la pièce autour de l'appareil • Utilisez le voltage approprié • Ne placez pas l'appareil près d'une ou exposition directe aux rayons de la chaleur et du soleil |
| Température interne trop froide | <ul style="list-style-type: none"> • La commande du thermostat est à une position trop haute | <ul style="list-style-type: none"> • Vérifiez la position de la commande et réglez de nouveau |
| Congélateur pas assez froid | <ul style="list-style-type: none"> • La commande est à une position trop basse • La porte n'est pas fermée • De aliments chauds y ont été rangés • La source d'alimentation n'est pas appropriée | <ul style="list-style-type: none"> • Vérifiez la position de la commande et réglez de nouveau • Fermez bien la porte • Assurez-vous que les aliments son refroidis avant de les ranger • Utilisez la tension appropriée |
| Lampe ne fonctionne pas | <ul style="list-style-type: none"> • L'appareil n'est pas alimenté • Le cordon d'alimentation n'est pas branché | <ul style="list-style-type: none"> • Vérifiez que l'appareil est branché à la source d'alimentation • Branchez la fiche |

GARANTIE LIMITÉE SUR APPAREIL ÉLECTROMÉNAGER À DOMICILE

Cet appareil de qualité est garanti exempt de tout vice de matière première et de fabrication, s'il est utilisé dans les conditions normales recommandées par le fabricant.

Cette garantie n'est offerte qu'à l'acheteur initial de l'appareil vendu par Danby Products Limited (Canada) ou Danby Products Inc. (E.- U.A.) (ci-après « Danby ») ou par l'un des ses distributeurs agréés et elle ne peut être transférée.

CONDITIONS

Les pièces en plastique sont garanties pendant trente (30) jours seulement à partir de la date de l'achat, sans aucune prolongation prévue.

Premiers 12 mois Pendant les premiers douze (12) mois, toutes les pièces fonctionnelles de ce produit qui s'avèrent défectueuses seront réparées ou remplacées, selon le choix du garant, sans frais à l'acheteur INITIAL.

Pour bénéficier du service Le client sera responsable pour le transport et tous les frais d'expédition de tout appareil exigeant le service au dépôt de service autorisé le plus proche. S'adresser au détaillant qui a vendu l'appareil, ou à la station technique agréée de service la plus proche, où les réparations doivent être effectuées par un technicien qualifié. Si les réparations sont effectuées par quiconque autre que la station de service agréée où à des fins commerciales, toutes les obligations de Danby en vertu de cette garantie seront annulées.

Limites de l'entretien à domicile Si l'appareil est installé à plus de 100 kilomètres (62 milles) du centre de service le plus proche, il doit être livré à l'atelier de réparation autorisé par Danby le plus proche, car l'entretien doit uniquement être réalisé par un technicien qualifié et certifié pour effectuer un entretien couvert par la garantie de Danby. Les frais de transport entre votre domicile et le lieu de l'entretien ne sont pas couverts par la présente garantie et doivent être acquittés par l'acheteur.

Aucune partie de la garantie ne prévoit implicitement que le fabricant sera tenu responsable des dommages subis par les aliments ou d'autres types de contenu, qu'ils soient causés par la défectuosité de l'appareil ou par son usage adéquat ou inadéquat.

EXCLUSIONS

En vertu de la présente, il n'existe aucune autre garantie, condition ou représentation, qu'elle soit exprimée ou tacite, de façon manifeste ou intentionnelle, par Danby ou ses distributeurs agréés. De même, sont exclues toutes les autres garanties, conditions ou représentations, y compris les garanties, conditions ou représentations en vertu de toute loi régissant la vente de produits ou de toute autre législation ou règlement semblables. En vertu de la présente, Danby ne peut être tenue responsable en cas de blessures corporelles ou des dégâts matériels, y compris à l'appareil, quelle qu'en soit les causes. Danby ne peut pas être tenue responsable des dommages indirects dus au fonctionnement défectueux de l'appareil. En achetant l'appareil, l'acheteur accepte de mettre à couvert et de dégager Danby de toute responsabilité en cas de réclamation pour toute blessure corporelle ou tout dégât matériel causé par cet appareil.

CONDITIONS GÉNÉRALES

La garantie ou assurance ci-dessus ne s'applique pas si les dégâts ou réparations sont dus aux cas suivants :

- 1) Panne de courant.
- 2) Dommages subis pendant le transport ou le déplacement de l'appareil.
- 3) Alimentation électrique incorrecte (tension faible, câblage défectueux, fusibles incorrects).
- 4) Accident, modification, emploi abusif ou incorrect de l'appareil tel qu'une circulation d'air inadéquate dans la pièce ou des conditions de fonctionnement anormales (température extrêmement élevée ou basse).
- 5) Utilisation dans un but commercial ou industriel (à savoir, si l'appareil n'est pas installé dans un domicile résidentiel).
- 6) Incendie, dommages causés par l'eau, vol, guerre, émeute, hostilités, cas de force majeure (ouragan, inondation, etc.).
- 7) Visites d'un technicien pour expliquer le fonctionnement de l'appareil au propriétaire.
- 8) Installation inappropriée (par exemple, encastrement d'un appareil autoportant, ou utilisation extérieure d'un appareil non conçu à cet effet). Une preuve d'achat doit être présentée pour toute demande de réparation sous garantie. Prière de garder le reçu. Pour faire honorer la garantie, présenter ce document à la station technique agréée ou s'adresser à :

Service sous garantie
Service au domicile

Danby Products Limited
PO Box 1778, Guelph, Ontario, Canada N1H 6Z9
Téléphone : (519) 837-0920 Télécopieur: (519) 837-0449

1-800-263-2629
03/14

Danby Products Inc.
PO Box 669, Findlay, Ohio, U.S.A. 45840
Téléphone: (419) 425-8627 Télécopieur: (419) 425-8629

Gracias por elegir Danby

Sabemos que está emocionado. Nosotros lo estamos también! Sin embargo, cuanto más se familiarice con su nuevo aparato, mejor será su experiencia. Por lo tanto le sugerimos de manera especial que lea **este manual de instrucciones antes de conectar su nuevo aparato**. Este manual contiene importante información operacional que le ayudará a hacer un uso completo de las características técnicas disponibles en su aparato Danby. El manual también contiene información diseñada para mejorar la fiabilidad y seguridad operacional de su aparato, así como consejos para el mantenimiento del mismo, lo que le traerá felicidad en los años venideros.

Por favor, visite www.danby.com para acceder a herramientas de autoservicio, preguntas frecuentes y más. En caso de necesitar asistencia adicional, por favor llame al 1-800-26-DANBY (1-800-263-2629). Por favor tenga disponible su recibo de compra y número de modelo cuando llame.

Nota: Esta información será necesaria si su unidad requiere servicio o para hacer consultas generales. Para recibir servicio técnico debe sonstrar el recibo original.

| |
|----------------------------------|
| Número de modelo: _____ |
| Número de serie: _____ |
| Fecha de la compra: _____ |

NECESITA AYUDA

Antes de solicitar servicio, hay algunas cosas que puede hacer para ayudarnos a servirle mejor:

Lea este manual:

Contiene instrucciones que lo ayudarán a mantener correctamente su unidad.

Si usted recibe un artefacto dañado:

Llame inmediatamente al distribuidor (o constructor) que se lo vendió.

Ahorre tiempo y dinero:

Lea la sección de Diagnóstico de problemas antes de llamar. Esta sección le ayudará a resolver problemas comunes que pudieran ocurrir.

Si necesita asistencia, no se preocupe y llámenos.



1-800-26-**Danby**
(1-800-263-2629)



Instrucciones de seguridad importantes

LEA TODA LA INFORMACIÓN SOBRE SEGURIDAD ANTES DE UTILIZAR EL EQUIPO

Asegúrese de que las piezas del componente se reemplacen con componentes similares y que la reparación sea realizada por personal de servicio autorizado por la fábrica, para minimizar el riesgo de incendio debido a piezas incorrectas o reparación inadecuada.

Este artefacto debe ser conectado a tierra. En caso de un corto circuito eléctrico, la conexión a tierra reduce el riesgo de una descarga eléctrica proporcionando un cable de retorno para la corriente eléctrica.

REQUISITOS ELÉCTRICOS

ADVERTENCIA

POTENCIAS ELÉCTRICAS: La placa de serie indica el voltaje y frecuencia que se debe utilizar para el refrigerador.

Debido a posibles variaciones en los voltaje de lines (ocasionadas por sobrecargas de curcuitos), se recomienda instalar un circuito con fusibles separado del panel medidor. Esto ayudará a eliminar las flucuaciones de corriente que pueden causar problemas con el motor.



¡ADVERTENCIA IMPORTANTE!

Un refrigerador vacio es una atracción muy peligrosa para los niños. Saque todas las juntas, pestillos, tapas o la puerta de todo electrodoméstico que no esté en uso, o tome alguna medida para asegurar que no presente peligro.

¡PELIGRO! Peligro de atrapas los niños en la unidad. Antes de desechar su antiguo refrigerador o congelador:

- Quite las puertas.
- Deje las tablas en sus lugares exactos a fin de que los niños no pusieran subir fácilmente a la unidad.

¡NO ESPERE, HAGALO AHORA MISMO!



¡ADVERTENCIA! ¡PELIGRO DE EXPLOSIÓN!

Hay riesgo de incendio o explosión si el tubo de refrigerante es perforado. No use objetos cortantes para ayudar en descongelamiento. Tratar con cuidado. Mantenga lejos del congelador los vapores y materiales inflamables, como la gasolina. Use un limpiador no inflamable.

Siga las normas federales y locales para desechar la unidad.

LA CONECIÓN A TIERRA

Este artefacto viene con un cable de alimentación que tiene un conductor y pata del enchufe de tierra. Este cable debe enchufarse en un tomacorriente debidamente instalado y con conexión a tierra.

ADVERTENCIA - El uso inadecuado del enchufe de conexión a tierra puede resultar en un riesgo de choque eléctrico. Consulte con un electricista o persona de reparaciones competente si no comprende bien las instrucciones de conexión a tierra o si existe alguna duda sobre si el aparato está conectado a tierra correctament.

NO USE CABLES DE EXTENSIÓN

Use una toma de corriente exclusiva de 115V. No conecte su congelador a cables de extensión o junto a otro aparato en la misma toma de corriente. No empalme el cable.

¡GUARDE ESTAS INSTRUCCIONES!



Instrucciones de seguridad importantes

LEA TODA LA INFORMACIÓN SOBRE SEGURIDAD ANTES DE UTILIZAR EL EQUIPO

CONSEJOS PARA AHORRAR ENERGÍA

- Trate de no abrir la puerta con mucha frecuencia, especialmente en días cálidos y húmedos. Una vez que haya abierto la puerta, ciérrela lo más rápido posible.
- Cada cierto tiempo, verifique el aparato tenga la ventilación suficiente (una circulación de aire adecuada detrás del aparato).
- Ajuste el termostato de la graduación más alta a la más baja en cuanto sea posible (dependiendo de cuánta carga tenga el aparato, la temperatura ambiente, etc.).
- Antes de cargar el aparato con paquetes de alimentos frescos, asegúrese de que éstos estén a temperatura ambiente.
- El hielo y las capas de escarcha aumentan el consumo de energía; por consiguiente, descongelar el aparato en cuanto la capa de escarcha tenga un espesor de entre 1/4 pulg. / 3 mm y 5 mm.
- Si la junta está dañada o la puerta no cierra herméticamente, el consumo de energía aumentará significativamente. Para restablecer la eficiencia energética, cambie la junta.
- Siempre tenga en cuenta las instrucciones en la guía de utilización.

CÓMO DESECHAR LOS APARATOS USADOS

El sistema de refrigeración del aparato contiene líquido refrigerante y sustancias aislantes que deben tratarse y procesarse por separado. Llame al representante de servicio técnico o al centro de servicio especializado autorizado más cercano. Si no puede encontrar uno, comuníquese con las autoridades locales o con el distribuidor. Tenga cuidado de no dañar los tubos ubicados en la pared trasera del aparato.

ANTES DE EMPEZAR

- Para evitar vibración, el refrigerador debe estar bien nivelado. Este se logra ajustando los dos pies graduales delanteros, ubicados bajo el refrigerador.
- Antes de conectar el artefacto eléctrico a la fuente de energía eléctrica, déjelo reposar durante de horas. Esto reducirá la posibilidad de a los funcionamientos en el sistema de enfiado debido a la manipulación para su transporte.
- Esta unidad no está diseñada para instalación exterior, incluyendo la instalación en cualquier lugar que no es de temperatura controlada (incluyendo garajes, porticos, cocheras, etc.).
- Si la unidad se desenchufa, perdió potencia o se apagó, debe esperar entre 3 y 5 minutos para volver a encenderla. Si intenta hacerlo antes del tiempo señalado, el refrigerador-congelador no se encenderá.

¡GUARDE ESTAS INSTRUCCIONES!



Instrucciones de instalación

ELECCIÓN DE LA MEJOR UBICACIÓN

Saque los embalajes exteriores e interiores, limpie el exterior bien con un paño suave seco y el interior con un paño húmedo y tibio. Evite colocar la caja en un hueco estrecho o cerca de una fuente de calor, luz de sol directa, o lugar húmedo. Deje que el aire circule libremente alrededor de la caja. Mantenga la parte posterior del refrigerador a 5 pulgadas de la pared.

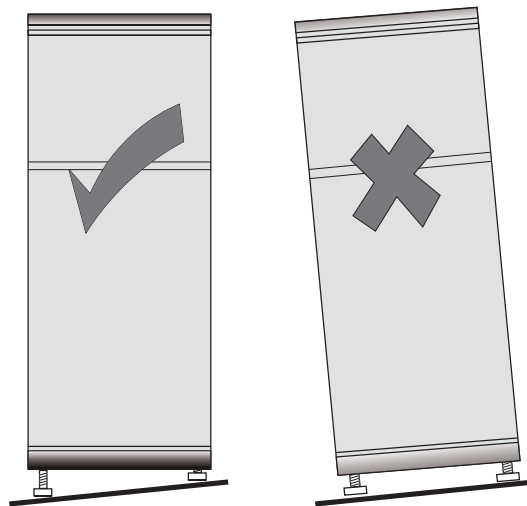
1. Seleccione un lugar con un piso firme y nivelado.
2. Deje un espacio de 5 pulgadas entre el refrigerador y cualquier pared adyacente.
3. Evite luz directa del sol o calor. La luz directa del sol puede afectar la capa de acrílico. Las fuentes de calor en su proximidad causarán un consumo mayor de electricidad.
4. Evite lugares muy húmedos. Demasiada humedad en el aire hará que se acumule escarcha rápidamente en el evaporador y deberá descongelar su refrigerador con mucha frecuencia.

Vierta éviter les vibrations, l'unité doit être de niveau conjunto. Ceci est réalisé en ajustant le pied de nivellement avant, située sous le réfrigérateur.

INSTALACIÓN

Coloque el aparato firmemente sobre una base sólida. Esto aparato tiene patas ajustables en la parte frontal; úselas para nivelarlos.

NOTAS : Este aparato es pensado para la **INSTALACIÓN AUTONOMO**, y no es pensado para la instalación integrada. Su refrigerador es aprobada para **EL USO DE INTERIOR SOLAMENTE** y no es aprobada para el uso al aire libre.

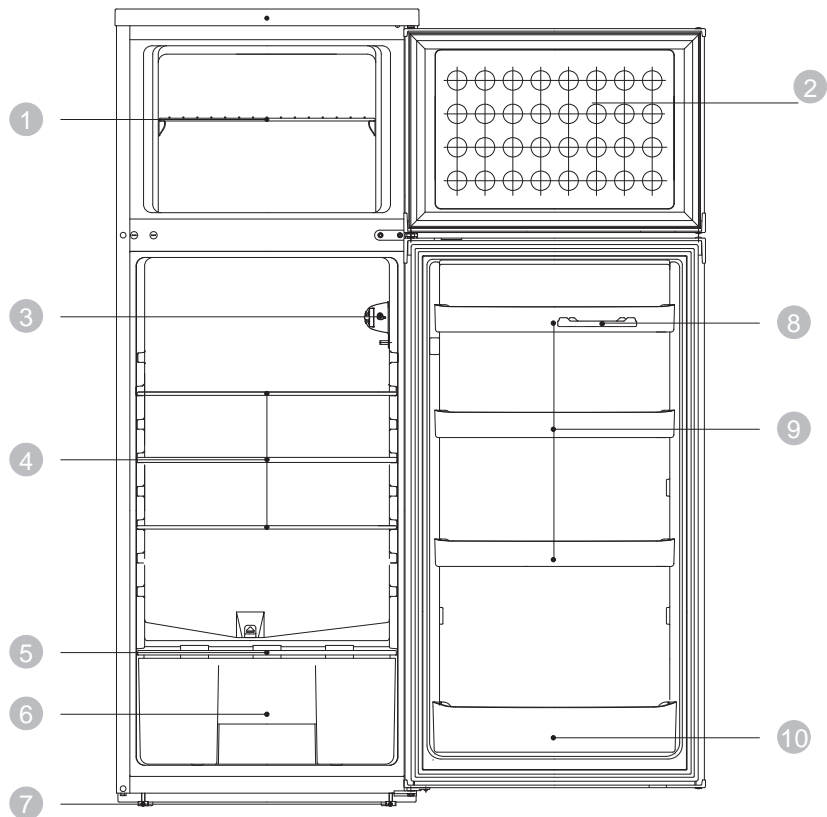




Instrucciones operadoras

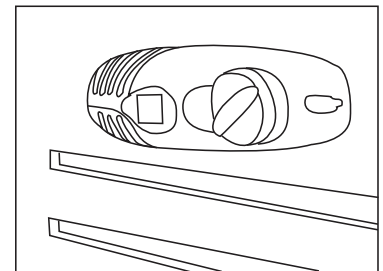
CARACTERÍSTICAS

1. Estante del congelador
2. Puerta del congelador
3. Control de temperatura
4. Estantes del refrigerador
5. Cubierta de vidrio
6. Cajón para frutas y verduras
7. Patas niveladoras
8. Bandeja de huevos
9. Contenedor de la puerta del refrigerador
10. Contenedor inferior



CAMBIO DE LA BOMBILLA

- Desenchufe el cable de alimentación de CA de la pared.
- Remueva el tornillo que sujeta la cubierta del foco.
- Apriete las lengüetas en la parte superior e inferior de la cubierta de la bombilla de luz en forma simultánea.
- Saque la cubierta de la bombilla de luz.
- Asegúrese de que la bombilla de luz esté fría antes de sacarla.
- Desenrosque la bombilla.
- Cámbiela por una bombilla de 10 vatios, que sea de la misma forma y tamaño.
- Vuelva a colocar la cubierta de la bombilla de luz.

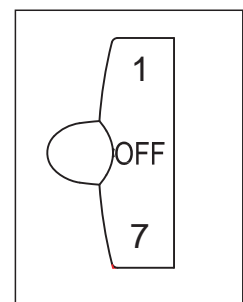


SELECCIÓN DE TEMPERATURA

- Cuando encienda la unidad por primera vez, fije el control de temperatura en la posición "7", la configuración más fría.
- El rango de controles de temperatura va desde la posición "0" o SIN REFRIGERACIÓN hasta "7", la temperatura más fría. Después de 24 a 48 horas, ajuste el control de temperatura según la configuración más acorde a sus necesidades. La configuración "4" debería ser satisfactoria para un refrigerador doméstico o de oficina.

Nota:

- Si la unidad se desenchufa, perdió potencia o se apagó, debe esperar entre 3 y 5 minutos para volver a encenderla. Si intenta hacerlo antes del tiempo señalado, el refrigerador no se encenderá.
- Al girar el control de temperatura del refrigerador a la posición "0", se interrumpirá el ciclo de refrigeración, pero no se apagará la unidad.





Instrucciones operadoras

CÓMO DESCONGELAR EL ELECTRODOMÉSTICO

Para lograr el funcionamiento más eficiente y el mínimo consumo de energía, descongele el compartimento del congelador cuando la escarcha en las paredes del electrodoméstico tenga más de 1/4 pulgada / 3-5 mm de espesor (consulte las instrucciones de abajo). No es necesario descongelar el compartimento del refrigerador, porque el hielo que se deposita en la pared interior trasera se descongela automáticamente. El hielo puede depositarse en la pared interior trasera durante el funcionamiento del compresor. Sin embargo, cuando el compresor no funcione, el hielo se descongelará y el agua caída se acumulará. Se escurrirá por la salida ubicada en la pared interior trasera hacia la bandeja de drenaje ubicada sobre el compresor, donde se evaporará.

Advertencia: No use agua hirviendo porque puede dañar las partes de plástico. Por otra parte, nunca use un instrumento filoso o metálico para sacar la escarcha ya que puede dañar el serpentín de enfriamiento y anular la garantía. Recomendamos usar un raspador de plástico.

- Restablezca el termostato a la posición « 0 » o « OFF » y desconecte el suministro eléctrico.
- Saque los alimentos congelados del electrodoméstico y colóquelos en una nevera para protegerlos.
- Deje la puerta abierta el tiempo suficiente para ablandar la escarcha y poder sacarla raspando.
- Use un raspador de plástico, pero tenga cuidado de no dañar las superficies interiores del congelador.
- Limpie la escarcha y el hielo raspados antes de que se descongelen por completo.

CÓMO CONGELAR ALIMENTOS FRESCOS

- Usar correctamente el electrodoméstico, envolver bien los alimentos, fijar la temperatura correcta y observar la higiene adecuada influirá sustancialmente en la calidad de los alimentos congelados.
- El período de almacenamiento de los alimentos congelados varía y no debe superarse el tiempo recomendado.
- Los alimentos congelados que se venden empaquetados deben almacenarse de acuerdo con las instrucciones del fabricante de esos alimentos.
- Coloque los alimentos congelados en el congelador lo más pronto posible después de haberlos comprado. Si el paquete trae instrucciones, lea con atención aquellas relacionadas con los tiempos de almacenamiento.
- Seleccione cuidadosamente los alimentos que desee congelar; deben tener la calidad adecuada y ser apropiados para congelar.
- Use el envase correcto y envuelva herméticamente los alimentos.
- El envase debe ser hermético y sin fugas porque esto podría provocar una pérdida sustancial de la deshidratación de los alimentos.
- Los envoltorios de aluminio y las bolsas deben ser suficientemente lo suaves como para envolver herméticamente los alimentos.
- Cuando prepare los alimentos para congelar, tenga en cuenta las precauciones sanitarias.
- Marque todos los paquetes con los siguientes datos: tipo y cantidad de alimento, y fecha de almacenamiento.
- Es sumamente importante que los alimentos se congelen lo antes posible.
- Si la cantidad de alimentos cargada es demasiada, la eficiencia del congelamiento se reducirá, lo que afecta la calidad de los alimentos congelados.

SUGERENCIAS PARA GUARDAR ALIMENTOS

El compartimiento para alimentos frescos

- Nunca cubra las parrillas del compartimiento para alimentos con papel de aluminio o cualquier otro material para cubrir parrillas que puedan obstruir la circulación del aire.
- Siempre saque la envoltura porosa proveniente de la tienda, de toda la carne, pollo o pescado. La carne se debe envolver en forma individual. Envuelva el pescado y el pollo en papel aluminio o papel encerado grueso. La mayoría de los pescados se debe usar el mismo día en que se compran. Las carnes empaquetadas como el jamon, tocino, carne seca o sal chichas, se almacenan mejor en sus paquetes originales.
- Permita que los alimentos calientes se enfrien a temperatura ambiente antes de colocarlos en el refrigerador.
- Siempre cubra los platos con alimentos, especialmente los restos. Use los restos en 2 o 3 días.



Instrucciones operadoras

INSTRUCCIONES PARA LA INVERSIÓN DE LA PUERTA

ADVERTENCIA

Para evitarse lesiones personales y daños a la propiedad, recomendamos que otra persona lo ayude durante el proceso de cambiar de sentido en que abre la puerta.

Su refrigerador tiene una puerta reversible. Tiene la posibilidad de abrirla desde la derecha o desde la izquierda. Para revertir la dirección de apertura de la puerta, siga estas sencillas instrucciones:

Extracción de la puerta y la bisagra

1. Desenchufe el refrigerador o corte el suministro eléctrico.
2. Mantenga ambas puertas cerradas hasta que esté listo para retirarlas del marco.

NOTA: Coloque un soporte adicional a las puertas mientras se mueven las bisagras. No deje que los imanes de la puerta soporten toda la carga de las puertas mientras usted está trabajando.

3. Retire las piezas de la bisagra superior, como se muestra en la ilustración de la bisagra superior. Levante la puerta del congelador y retírela de su marco.
4. Retire las piezas de la bisagra del centro, como se muestra en la ilustración de la bisagra del centro. Levante la puerta del refrigerador y retírela de su marco.
5. Retire las piezas de la bisagra inferior, como se muestra en la ilustración de la bisagra inferior.

Gabinete de inversión de puertas

1. Retire la tapa del orificio de la bisagra superior del lado izquierdo y colóquela en el lado opuesto.
2. Retire los tapones de los orificios del lado izquierdo y colóquelos en el lado opuesto.

Puertas

1. Retire el tapón del orificio de la bisagra de la parte superior de la puerta del congelador y del refrigerador.
2. Retire el tope de puerta de la puerta del refrigerador y colóquelo en el lado opuesto.
3. De la bolsa de accesorios, tome el tope de puerta izquierdo de la puerta del congelador y el tornillo, y colóquelo en la manija.

Nota: El tope de puerta izquierdo y de puerta derecho de la puerta del congelador son diferentes. No se pueden intercambiar.

Reemplazo de la puerta y la bisagra

1. Vuelva a colocar las piezas de la bisagra inferior, como se ilustra. Apriete los tornillos. Vuelva a colocar la puerta del refrigerador.

NOTA: Coloque un soporte adicional a las puertas mientras se mueven las bisagras. No deje que los imanes de la puerta soporten toda la carga de las puertas mientras usted está trabajando.

2. Arme las piezas de la bisagra del centro, como se ilustra y apriete todos los tornillos. Vuelva a colocar la puerta del congelador.
3. Arme las piezas de la bisagra superior, como se ilustra. No apriete los tornillos completamente.
4. Alinee las puertas de manera que la parte inferior de la puerta del congelador quede pareja con la parte superior de la puerta del refrigerador. Apriete todos los tornillos.

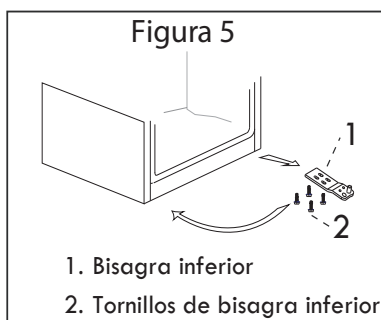
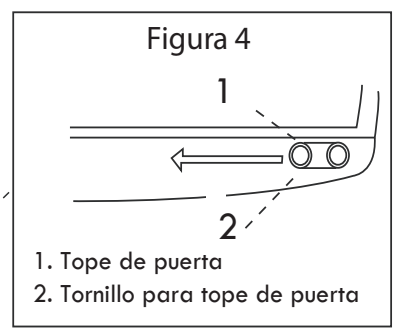
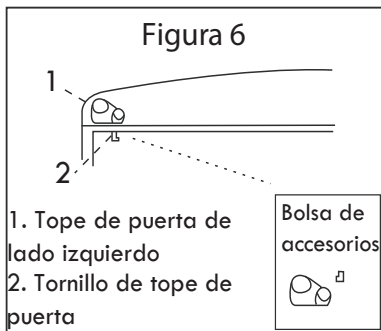
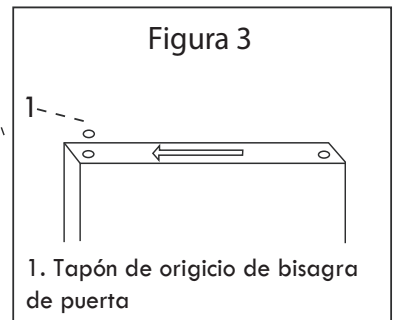
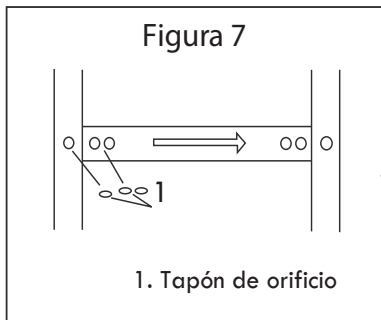
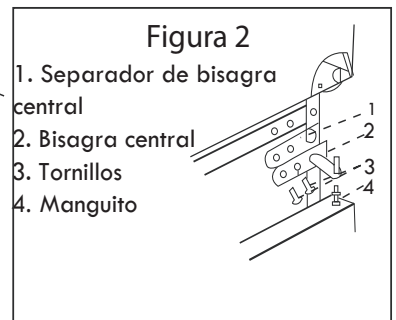
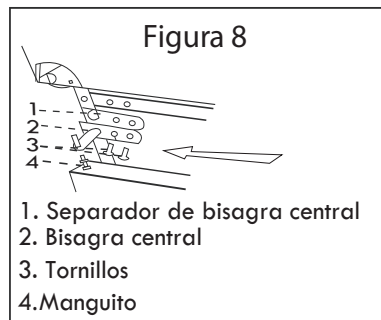
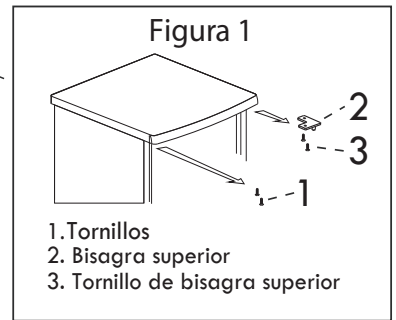
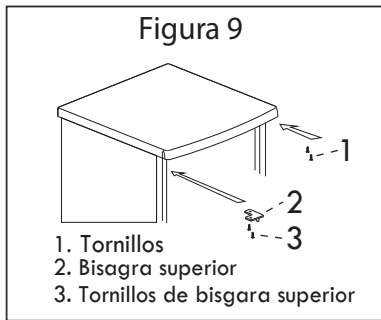
Pasos finales

1. Revise todos los orificios para asegurarse de que los tapones y tornillos estén colocados.
2. Conecte el refrigerador o vuelva a conectar el suministro eléctrico.
3. Restablezca los controles (vea la sección "Control de temperatura").
4. Vuelva a colocar todas las piezas desmontables de la puerta y los alimentos en su refrigerador.



Instrucciones operadoras

INSTRUCCIONES PARA LA INVERSIÓN DE LA PUERTA





Cuidado y mantenimiento

LIMPIEZA DEL ARTEFACTO

- Gire el control de temperatura a la posición « OFF », desenchufe la unidad y saque los accesorios del interior.
- Limpie el interior con una solución de agua tibia y bicarbonato de sodio. La solución debe contener cerca de 2 cucharadas de bicarbonato de sodio y un cuarto de galón de agua.
- Limpie los accesorios del interior con un detergente suave diluido.
- El exterior de la unidad debe limpiarse con un detergente suave y agua tibia.

Advertencia: El no desenchufar el refrigerador-congelador podría ocasionar descarga eléctrica o lesiones.

CAJÓN DE VERDURAS

La bandeja del piso del refrigerador esta cubierta para retener la humedad. El compartimiento de verduras le permitirá almacenar verduras y frutas que, en otras condiciones, se secarían con rapidez.

CORTE DE CORRIENTE

La mayoría de las fallas eléctricas se solucionan en pocas horas y no deben afectar la temperatura de su refrigerador-congelador si reduce la cantidad de veces que abre su puerta. Si la interrupción se prolonga por un período más largo, deberá tomar las medidas pertinentes para conservar sus alimentos.

VACACIONES

Vacaciones cortas: Deje la unidad funcionando durante vacaciones de menos de tres semanas.

Vacaciones largas: Si no usará el electrodoméstico durante varios meses, saque todos los alimentos y desenchufe el cable de alimentación. Limpie y seque bien el interior del equipo. Para evitar el mal olor y la proliferación de moho, deje la puerta ligeramente abierta. Si es necesario, bloquéela para mantenerla abierta.

SI UD SE MUDA

Saque o asegure todas los artículos dentro (ej. parrillas) del refrigerador. Para evitar que los tornillos de nivel se averíen, gírelos completamente hacia la base (en algunos modelos).

ALGUNAS REGLAS IMPORTANTES PARA EL USO CORRECTO DEL REFRIGERADOR

- Nunca coloque alimentos calientes en el refrigerador.
- Nunca coloque en la unidad alimentos que se hayan echado a perder.
- No sobrecargue el gabinete.
- No abra la puerta a menos que sea necesario.
- Si el refrigerador guarda sin uso por períodos largos de tiempo, se sugiere que, luego de una limpieza cuidadosa, se deje la puerta entrabiada para permitir que el aire circule dentro de el gabinete y evitar una posible formación de condensación, moho u olores.



Solucion Sugerida

A menudo, los problemas son sencillos y no es necesario hacer una llamada de reparación, use esta guía de resolución de problemas para encontrar una posible solución. Si la unidad sigue funcionando mal, llame a los números gratuitos de un centro Danby de servicio autorizado.

Tel: 1-800-26-Danby® (1-800-263-2629)

| PROBLEMA | POSSIBLE CAUSA | SOLUCIÓN SUGERIDA |
|--|---|---|
| No funciona | <ul style="list-style-type: none"> No llega alimentación a la unidad Cable de alimentación desenchufado Voltaje incorrecto | <ul style="list-style-type: none"> Revise la conexión del cable de alimentación al enchufe Enchufe la unidad Use el voltaje correcto |
| El refrigerador funciona constantemente | <ul style="list-style-type: none"> Temperatura fijada demasiado alta La puerta no está cerrada Se colocó comida caliente Se abrió la puerta demasiadas veces o durante mucho tiempo Muy cerca de una fuente de calor o bajo la luz directa del sol | <ul style="list-style-type: none"> Ajustar la temperatura más alta Cierre bien la puerta Verifique que los alimentos estén a temperatura ambiente antes de guardarlos Abra menos veces la puerta No coloque la unidad cerca de fuentes de calor o bajo la luz directa del sol |
| La temperatura interna no es muy fría | <ul style="list-style-type: none"> No llega alimentación a la unidad Cable de alimentación desenchufado Control de temperatura muy bajo La puerta no está cerrada Alimentos calientes Se abrió la puerta demasiadas veces o durante mucho tiempo Obstrucción del flujo de aire Voltaje incorrecto Muy cerca de una fuente de calor o bajo la luz directa del sol | <ul style="list-style-type: none"> Revise la conexión del cable de alimentación al enchufe Enchufe la unidad Verifique el ajuste y aumentelo como sea necesario Cierre bien la puerta Verifique que los alimentos estén a temperatura ambiente Abra menos veces la puerta Deje lugar para que circule aire alrededor de la unidad Use el voltaje correcto No coloque la unidad cerca de fuentes de calor o bajo la luz directa del sol |
| Temperatura interior es muy fría | <ul style="list-style-type: none"> Control en frío máximo o cerca | <ul style="list-style-type: none"> Verifique la posición y ajuste su gusto |
| Congelador no hela suficiente | <ul style="list-style-type: none"> Control en mínimo o cerca Puerta mal cerrada Alimentos muy calientes en interior Voltaje fuera de especificaciones | <ul style="list-style-type: none"> Ajuste la posición a su gusto Cierra bien la puerta Asegurese de meter los alimentos no muy calientes Verifique que haya corriente adecuada |
| Foco no enciende | <ul style="list-style-type: none"> No hay voltaje en el contacto Clavija desconectada Foco flojo o fundido; el interruptor de puerta pegado | <ul style="list-style-type: none"> Verifique que la clavija. esté conectada Conecte la clavija Ajuste el foco, o reemplácelo. Verifique que el interruptor no este pegado |

GARANTÍA LIMITADA PARA ELECTRODOMÉSTICO

Este producto de calidad está garantizado contra defectos de fabricación, incluyendo partes y mano de obra, siempre y cuando la unidad se utilice bajo las condiciones normales de funcionamiento para las que fue diseñado.

Esta garantía está solamente disponible para la persona que haya comprado originalmente esta unidad directamente de Danby Products Limited (Canada) o Danby Products Inc. (U.S.A.) (en adelante "Danby") o uno de sus distribuidores autorizados, y no es transferible.

CONDICIONES DE LA GARANTÍA

Las piezas plásticas, se autorizan por treinta (30) días solamente a partir de la fecha de la compra, sin las extensiones proporcionadas.

Primeros 12 meses Durante los primeros 12 meses, cualquier parte en buen estado de este producto que resulte defectuosa, incluyendo cualquier sistema sellado, será reparado o reemplazado, a opción del fabricante, sin cargo para el comprador ORIGINAL.

Para obtener servicio Danby se reserva el derecho de limitar la cobertura de "Servicio en Domicilio" sujeto a la proximidad de un Taller de Servicio Autorizado. Para todo artefacto que requiera servicio fuera del área limitada de "Servicio en Domicilio", el cliente será responsable por transportar dicho artefacto hasta el Taller de Servicio Autorizado más cercano. Consulte "Límites del servicio técnico a domicilio", a continuación. Comuníquese con el distribuidor donde haya comprado la unidad, o llame al Taller de Servicio Autorizado más cercano, donde debe ser reparada por un técnico calificado. Si esta unidad es reparada en otro lugar que no sea un Taller de Servicio Autorizado, o si la unidad se utiliza para aplicaciones comerciales, Danby no se hará responsable de ninguna forma y la garantía será anulada.

Límites del servicio técnico a domicilio Si el electrodoméstico está instalado en un lugar que se encuentra a 100 kilómetros (62 millas) o más del centro de servicios más cercano, se debe llevar la unidad al Centro de servicios Danby autorizado más cercano, ya que dicho servicio sólo puede realizarlo un técnico calificado y certificado por Danby para prestar servicios de garantía. Los cargos por transporte desde y hacia el lugar en que se efectúe el servicio técnico no están cubiertos por esta garantía y son de responsabilidad del comprador.

Nada dentro de esta garantía implica que Danby será responsable por cualquier daño que hayan sufrido los alimentos u otros contenidos de este aparato, ya sea debido a un defecto del aparato, o su uso, adecuado o inadecuado.

EXCLUSIONES

Salvo lo aquí indicado por Danby, no existen otras garantías, condiciones o representaciones, explícitas o implícitas, concretas o intencionales por parte de Danby o sus distribuidores autorizados y todas las demás garantías, condiciones o representaciones, incluyendo cualquier garantía, condiciones o representaciones bajo cualquier Acta de Venta de Productos o legislación o estatuto similar, quedan de esta forma expresamente excluidas. Salvo lo aquí indicado, Danby no serán responsables por ningún daño a personas o bienes, incluyendo la propia unidad, sin importar su causa, o de ningún daño indirecto causado por el desperfecto de la unidad, y al comprar esta unidad, el comprador acepta por la presente, indemnizar y proteger a Danby contra cualquier reclamo por daños a personas o bienes causados por la unidad.

CONDICIONES GENERALES

No se considerará ninguna de estas garantías o seguros cuando el daño o la necesidad de reparación sea el producto de los siguientes casos:

- 1) Falla del suministro eléctrico.
- 2) Daños en tránsito o durante el transporte de la unidad.
- 3) Alimentación incorrecta, como bajo voltaje, instalación eléctrica defectuosa o fusibles inadecuados.
- 4) Accidente, modificación, abuso o uso incorrecto del artefacto, tal como insuficiente ventilación del ambiente o condiciones de operación anormales (temperatura ambiente extremadamente alta o baja).
- 5) Utilización comercial o industrial (v.g., si el electrodoméstico no está instalado en una vivienda particular).
- 6) Incendio, daños por agua, robo, guerra, disturbios, hostilidades, actos de fuerza mayor como huracanes, inundaciones, etc.
- 7) Pedidos de servicio debido a desinformación del usuario.
- 8) Instalación inadecuada (v.g., instalación empotrada de un electrodoméstico diseñado como unidad independiente o uso de un electrodoméstico al aire libre que no esté aprobado para dicho fin).

Para acceder a la garantía se solicitará un comprobante de compra; por lo tanto, guarde su recibo. En caso de necesitar servicio de garantía, presente ese documento al TALLER DE SERVICIO AUTORIZADO.

Servicio de Garantía
Servicio en Domicilio

Danby Products Limited
PO Box 1778, Guelph, Ontario, Canada N1H 6Z9
Telephone: (519) 837-0920 FAX: (519) 837-0449

1-800-263-2629
07/13

Danby Products Inc.
PO Box 669, Findlay, Ohio, U.S.A. 45840
Telephone: (419) 425-8627 FAX: (419) 425-8629



PARTIAL FROST FREE REFRIGERATOR

All repair parts are available for purchase or special order when you visit your nearest service depot. To request service and/or the location of the service depot nearest you, call the TOLL FREE number.

When requesting service or ordering parts, always provide the following information:

- Product Type
- Model Number
- Part Number
- Part Description

REFRIGERADOR LIBRE DE ESCAR- CHA PARCIAL

Todas las piezas de reparación disponibles para la compra o la orden especial cuando usted visita su depósito más cercano del servicio. Para pedir servicio y/o la localización del depósito del servicio lo más cerca posible usted, llame Danby gratis.

Al pedir servicio o pidiendo piezas, proporcione siempre la información siguiente:

- Tipo de producto
- Número de modelo
- Número de pieza
- Descripción de la parte

LE GEL PARTIEL RÉFRIGÉRATEUR GRATUITEMENT

Toutes les pièces de rechange ou commandes spéciales sont disponibles à votre centre de service régional autorisé. Pour obtenir le service et/ou la localité de votre centre de service régional, signalez le NUMÉRO D'APPEL SANS FRAIS.

Ayez les renseignements suivants à la portée de la main lors de la commande de pièce ou service:

- Type de produit
- Numéro de modèle
- Numéro de pièce
- Description de la pièce



MODEL • MODÈLE • MODELO
DPF073C1WDB