

1.1 Cubic Foot Upright Freezer

HFU0100ACW



Available

Unit Specifications

Width	17 1/2"
Depth	18 5/8"
Height	19 5/8"
Weight	33.06 lbs.
UPC	688057211572

More Easy-To-Use Features

- Holds Up To 35 Pounds Of Your Favorite Frozen Food Items
- Top Pocket Handles
- 1 Full-Width Slide-Out Wire Shelf
- Manual Defrost

Warranty

- 1 Year Warranty (Parts and Labor)
- 5 Year Sealed System

Available Finishes



White

Signature Features

Storage for up to 35 lbs

Storage space to accommodate all your frozen food needs

Seamless Freezer Liner

Allows for easy and quick clean up

Adjustable Temperature Control

Easy to use controls allow you to select the perfect temperature for your needs

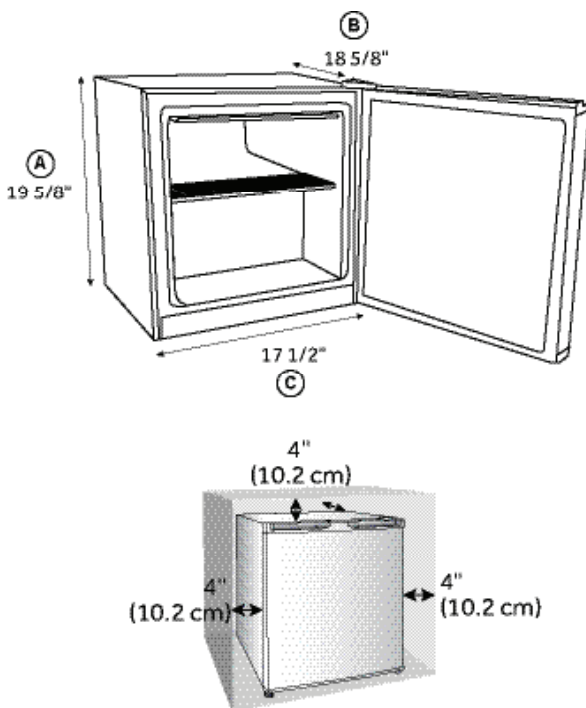
Letter	Overall Dimensions	in.
A	Height	19 5/8"
B	Depth	18 5/8"
C	Width	17 1/2"

Clearances	
Back	4"
Sides	4"
Top	4"

Power Requirements	
Electrical Rating	115V, 60Hz
Energy Use	240 kWh
Refrigerant	R600a

Overall Packaging Details	
Packaging	lb./in.
Gross Weight	41 lbs.
Dimensions	W 19 5/16"
	D 20 1/4"
	H 21. 7/16"

Product Technical Illustration



General Appliance Information

Please read all installation details and instructions before use.

Contact Us

For questions regarding this product please refer to our website at haieramerica.com or call our customer service center at 877-337-3639.

