

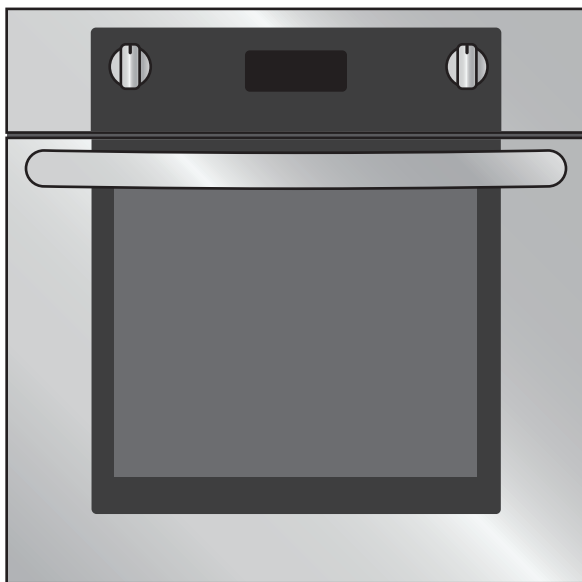
# Haier

User Manual  
Guide de l'utilisateur  
Manual del usuario  
**HCW3460AES**

**30" Built-in Oven**

**Four à convection simple de 30"**

**Horno de convección simple de 30"**





# TABLE OF CONTENTS

<b>OVEN SAFETY INSTRUCTIONS</b> .....	<b>2</b>
<b>FEATURES OF YOUR OVEN</b> .....	<b>6</b>
<b>GENERAL OVEN INFORMATION</b> .....	<b>7</b>
<b>GENERAL OVEN TIPS</b> .....	<b>8</b>
<b>ELECTRONIC CONTROL</b> .....	<b>10</b>
<b>COOKING WITH THE CONVECTION OVEN</b> .....	<b>12</b>
<b>OVEN MODES</b> .....	<b>13</b>
<b>COOKING FUNCTIONS</b> .....	<b>14</b>
<b>QUICK TIPS</b> .....	<b>15</b>
<b>SETTING AN OVEN FUNCTION MANUALLY</b> .....	<b>16</b>
<b>CONVECTION BAKE TIPS AND TECHNIQUES</b> .....	<b>18</b>
<b>BAKE TIPS AND TECHNIQUES</b> .....	<b>20</b>
<b>CONVECTION BROIL TIPS AND TECHNIQUES</b> .....	<b>21</b>
<b>BROIL TIPS AND TECHNIQUES</b> .....	<b>22</b>
<b>CONVECTION ROAST TECHNIQUES</b> .....	<b>24</b>
<b>OVEN CARE AND CLEANING</b> .....	<b>26</b>
<b>SETTING THE SELF-CLEANING MODE</b> .....	<b>28</b>
<b>GENERAL OVEN CARE</b> .....	<b>29</b>
<b>OVEN FINISHES / CLEANING METHODS</b> .....	<b>30</b>
<b>OVEN DOOR REMOVAL</b> .....	<b>31</b>
<b>REPLACING AN OVEN LIGHT</b> .....	<b>32</b>
<b>TROUBLESHOOTING</b> .....	<b>34</b>
<b>LIMITED WARRANTY</b> .....	<b>37</b>

## RECORD KEEPING

Thank you for purchasing this Haier product. This user manual will help you get the best performance from your new oven.

For future reference, record the model and serial number located on the inside frame of the oven, and the date of purchase.

Staple your proof of purchase to this manual to aid in obtaining warranty service if needed.

---

Model number

---

Serial number

---

Date of purchase

## OVEN SAFETY INSTRUCTIONS

### Your safety and the safety of others are very important.

We have provided many important safety messages in this manual and on your appliance. Always read and obey all safety messages.



This is the safety alert symbol.

This symbol alerts you to potential hazards that can kill or hurt you and others. All safety messages will follow the safety alert symbol and either the word "DANGER," "WARNING" or "CAUTION."

These words mean:



An imminently hazardous situation. You could be killed or seriously injured if you don't immediately follow instructions.



A potentially hazardous situation which, if not avoided, could result in death or serious bodily injury.



A potentially hazardous situation which, if not avoided, may result in moderate or minor injury.

All safety messages will tell you what the potential hazard is, tell you how to reduce the chance of injury, and tell you what can happen if the instructions are not followed.

## ⚠ WARNING

The California Safe Drinking Water and Toxic Enforcement Act requires the Governor of California to publish a list of substances known to the State of California to cause cancer, birth defects, or other reproductive harm, and requires businesses to warn of potential exposure to such substances.

This product contains a chemical known to the State of California to cause cancer, birth defects, or other reproductive harm. This appliance can cause low-level exposure to some of the substances listed, including benzene, formaldehyde, carbon monoxide, toluene, and soot.

## WARNINGS FOR ELECTRIC INSTALLATION

### **WARNING**



#### **Electrical Shock Hazard**

Installation and service must be performed by a qualified installer or service agency.

The models may be powered at 240V or 208V.

Always disconnect the power before servicing this unit.

This appliance must be properly grounded.

Failure to do so could result in death or serious injury.

## **IMPORTANT SAFETY INSTRUCTIONS**

**WARNING:** To reduce the risk of fire, electrical shock, injury to persons, or damage when using the oven, follow basic precautions, including the following:

#### **Proper Installation**

- This appliance must be properly installed and electrically grounded by a qualified technician. Connect only to properly grounded outlet. See "Grounding Instructions" found in the Installation Instructions.
- This appliance should be serviced only by a qualified service technician. Contact the nearest authorized service center for examination, repair or adjustment.
- Do not repair or replace any part of the oven unless specifically recommended. Refer service to an authorized servicer.
- Do not operate this appliance if it is not working properly or if it has been damaged, until an authorized servicer has examined it.
- Install or locate this appliance only in accordance with the Installation Instructions.
- Use this oven only as intended by the manufacturer. If you have any questions, contact the manufacturer.

# IMPORTANT SAFETY INSTRUCTIONS

- Do not cover or block any openings on this appliance.
- Use this appliance only for its intended use as described in this manual. Do not use corrosive chemicals, vapors, or nonfood products in this appliance. This type of oven is specifically designed to heat or cook. It is not designed for industrial or laboratory use. The use of corrosive chemicals in heating or cleaning will damage the appliance.
- Be sure the blower fan runs whenever the oven is in operation. If the fan does not operate, do not use the oven. Call an authorized service center.
- Never use the oven to warm or heat a room.

## To reduce the risk of fire in the oven cavity:

- Do not store flammable materials in or near the oven.
- Do not use water on a grease fire. Smother fire or use a dry chemical or foam-type extinguisher.
- It is highly recommended that a fire extinguisher be readily available and highly visible next to any cooking appliance.
- Do not overcook food. Carefully attend oven if paper, plastic or other combustible materials are placed inside the oven.
- Do not use the cavity for storage purposes. Do not leave paper products, cooking utensils or food in the cavity when not being used.
- If materials inside the oven should ignite, keep oven door closed. Turn oven off and disconnect the circuit at the circuit breaker box.
- Do not allow children to use this appliance unless closely supervised by an adult. Children and pets should not be left alone or unattended in the area where the appliance is in use. Never allow children to sit or stand on any part of the oven.
- Do not store items of interest to children above the oven. If children should climb onto the appliance to reach these items, they could be seriously injured.
- For personal safety, wear proper clothing. Loose fitting or garments with hanging sleeves should never be worn while using this appliance.
- Tie long hair so that it doesn't hang loose.
- Do not touch heating elements or interior surfaces of oven.
- The heating elements may be hot even though they are dark in color. Interior surfaces of an oven become hot enough to cause burns.

# IMPORTANT SAFETY INSTRUCTIONS

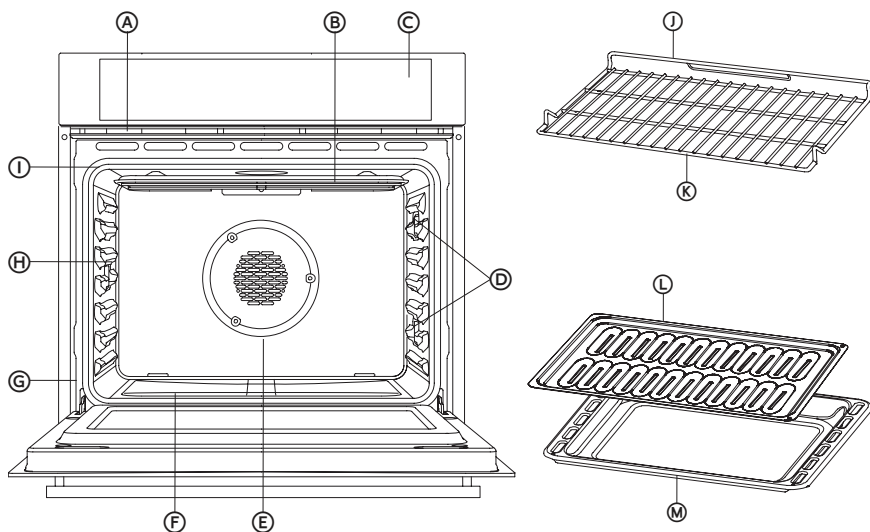
- During and after use, do not touch or let clothing or other flammable materials contact the heating elements or the interior surfaces of the oven until they have had sufficient time to cool.
- The trim on the top and sides of the oven door may become hot enough to cause burns.
- Use care when opening the door. Open the door slightly to let hot air or steam escape before removing or replacing food.
- Do not heat unopened food containers. Build-up of pressure may cause the container to burst and cause injury.
- Always place oven racks in desired location while oven is cool. If a rack must be moved while oven is hot, do not let potholder contact the hot heating elements.
- Use only dry potholders. Moist or damp potholders on hot surfaces may result in burns from steam. Do not let potholder touch hot heating elements. Do not use a towel or other bulky cloth.

## Safety for the Self-cleaning Oven:

- Before self-cleaning the oven, remove the broiler pan, oven racks (only when not made of porcelain), other utensils and excess soft spillage.
- Confirm that the door locks and will not open once both selectors are in CLEAN position and the door lock icon appears. If the door does not lock, turn the cook mode selector to OFF and do not run Self-Clean. Call an authorized servicer.
- Do not clean the door gasket. It is essential for a good seal. Care should be taken not to rub, damage, move or remove the door gasket.
- Do not use commercial oven cleaners or oven liner protective coatings of any kind in or around any part of the oven.
- Clean only oven parts listed in this manual.
- Other surfaces of the appliance may become hot enough to cause burns - among these surfaces are for example: oven vent openings and surfaces near these openings, oven doors, and windows of oven doors.

# READ AND SAVE THESE INSTRUCTIONS

## FEATURES OF YOUR OVEN



- (A) Cooling Vents
- (B) Broil Element
- (C) Control Panel
- (D) Halogen Light
- (E) Convection Fan and Element
- (F) Bottom Element (not visible)
- (G) Model and Serial # Plate
- (H) Meat Probe (if present)
- (I) Door Gasket
- (J) Oven Rack Back
- (K) Oven Rack Front
- (L) Broiler Pan Racks
- (M) Broiler Pan



## GENERAL OVEN INFORMATION

### **WARNING**



#### **Fire Hazard**

Remove all packing and foreign materials from the oven. Any material of this sort left inside may melt or burn when the appliance is used.

Failure to do so can result in death or fire.

### **240 V VS. 208 V CONNECTION**

Most oven installations will have a 240 V connection. If your oven is installed with 208 V, the preheat time may be slightly longer than with 240 V. The oven is designed to assure the same clean time at 208 V.

### **HEATING FIRST TIME**

Heat the empty appliance to the maximum temperature in order to remove any manufacturing residues, which could affect the food with unpleasant odors.

### **HIGH ALTITUDE BAKING**

When cooking at high altitude, recipes and cooking time will vary from the standard.

### **POWER FAILURE**

After the power returns to the oven, the clock displays the time 12.00.

### **E - ERROR NUMBER CODES**

If E codes are displayed when the electronic control detects a problem in the oven or in the electronics.

### **SQUEAK NOISE**

You may hear a squeak from the oven due to heat warping, but this is not a malfunction.

### **FLASHING SYMBOLS OR NUMBERS**

Signal an incomplete action that is in progress (locking the door, preheat, etc.).

### **BEEPS**

Signal that the set temperature has been reached. Beeps also signal the end of a function or an oven fault.

## CONVECTION FAN

The convection fan operates during any Convection Mode and Defrost Mode.

## COMPONENT COOLING FAN

Activates during any cooking or Self-Cleaning mode to cool inner components and outer door surfaces. This air is exhausted through the vent located above the oven door. It continues to run until components have cooled sufficiently. The cooling fan operates at double speed (or RPMs) in self-cleaning and whenever the internal components' temperature becomes high.

## USING OVEN LIGHTS

- When the oven is in use, oven lights turn on automatically when a mode is started. Oven lights will turn off automatically when finished and the oven mode is cancelled.
- The lights do not operate in the Self-Cleaning Mode.
- "Light" knob to activate the lights in the oven

## FAHRENHEIT AND CELSIUS

The temperature is preset in Fahrenheit, however it can be changed to Celsius.

## GENERAL OVEN TIPS

### DEFAULT SETTINGS

The Cooking Modes automatically select a suitable temperature. These can be changed when a different one is needed.

### OVEN CONDENSATION AND TEMPERATURE

- It is normal for a certain amount of moisture to evaporate from the food during any cooking process. The amount depends on the moisture content of the food. The moisture may condense on any surface cooler than the inside of the oven, such as the control panel.
- Your new oven has an electronic temperature sensor that allows maintaining an accurate temperature. Your previous oven may have had a mechanical thermostat that drifted gradually over time to a higher temperature. It is normal that you may need to adjust your favorite recipes when cooking in a new oven.

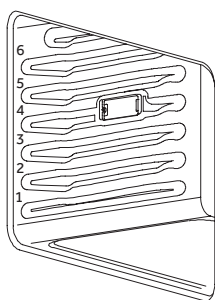
### OPERATIONAL SUGGESTIONS

- Use the Cooking Charts as a guide.
- Do not set pans or any weight on the open oven door.
- Use the interior oven lights to view the food through the oven door window rather than opening the door frequently.

## UTENSILS

- Glass baking dishes absorb heat. Reduce oven temperature 25 °F (15 °C) when baking in glass.
- Use pans that give the desired browning. The type of finish on the pan will help determine the amount of browning that will occur.
- Shiny, smooth metal or light non-stick /anodized pans reflect heat, resulting lighter more delicate browning. Cakes and cookies require this type of utensil.
- Dark, rough or dull pans will absorb heat resulting in a browner, crisper crust. Use this type for pies.
- For brown, crisp crusts, use dark non-stick/anodized or dark, dull metal utensils or glass bake ware. Insulated baking pans may increase the length of cooking time.
- Do not cook with the empty Broiler Pan in the oven, as this could change cooking performance. Store the Broiler Pan outside of the oven.

## OVEN RACKS



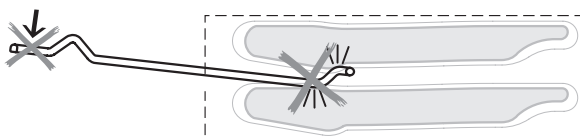
- The oven has rack guides at six levels as shown in the illustrations.
- Rack positions are numbered from the bottom rack guide (#1) to the top (#6).
- Check Cooking Charts for best rack positions to use when cooking.
- Each level guide consists of paired supports formed in the walls on each side of the oven cavity.
- Always be sure to position the oven racks before turning on the oven. Make sure that the racks are level once they are in position.

Please refer to illustration on "Features of Your Oven" if there is any question as to which side is the front or top of the rack.

- The racks are designed to stop when pulled forward to their limit.

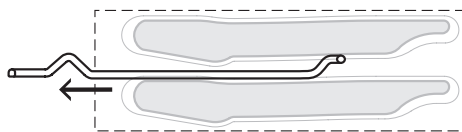
**IMPORTANT:** Never use aluminum foil to cover the oven racks or to line the oven. It can cause damage to the oven liner if heat is trapped under the foil.

**IMPORTANT:** Make sure you do not force it to avoid damage to the enamel.

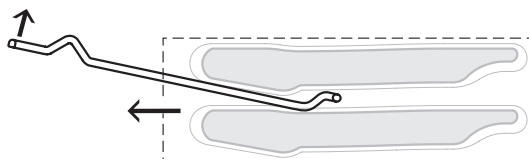


**To remove oven rack from the oven:**

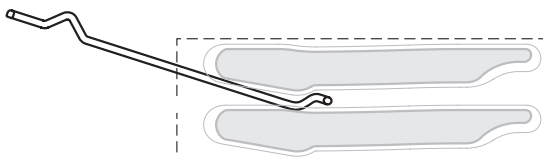
1. Pull rack forward.



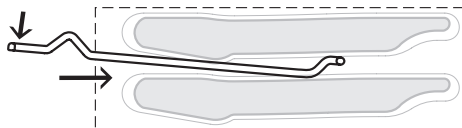
2. Lift rack up at front and then remove it.

**To replace an oven rack:**

1. Place rear of rack between rack level guides



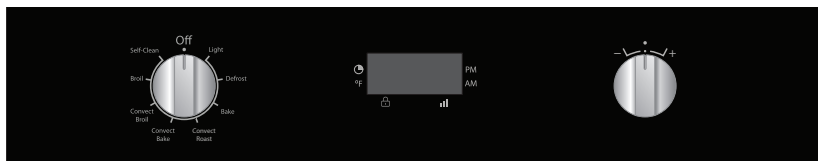
2. While lifting front of rack, slide rack in all the way while lowering the front.

**ELECTRONIC CONTROL****CONTROL PANEL DESCRIPTION**

The oven control panel is made with one display and two knobs.

- Time & Temperature display.
- Time & Temperature knob (Push and/or Turn)
- Mode (oven functions) knob.

The push & turn knob is mainly for clock or temperature setting and automatic time functions programming. Select the desired item by pushing the knob.



## THE OVEN CLOCK

**IMPORTANT:** Following initial installation and power failures, the time-of-day (12:00 a.m.) will blink to alert you to set the correct time of day. The oven will not operate until the time-of-day has been set.

## SETTING THE TIME OF DAY


Push in on the Time/Temp knob to toggle between the time-of-day and the timer, and to view the set times.

1. Turn the Oven Mode knob to the OFF position.
2. Turn the -/+ knob to the left or right, the time display starts to flash.
 


**NOTE:** Hours and minutes are set separately.
3. Turn the knob again, until just the hour digits start to flash.
4. Adjust the flashing hour numerals by turning the -/+ knob to the left or right.
5. Push in on the -/+ knob once to set the hours and the minute numerals will begin to flash.
6. Adjust the flashing minute numerals by turning the -/+ knob to the left or right. After a few seconds both the hour and minute numerals will start flashing.
7. Wait another 10 seconds until the new time of day is steady. The time is now set.

## SETTING THE TIMER

### NOTES:

- The display will show the time-of-day (default), until you push the knob to select the timer .
- The timer can be set for an amount of time from 0 to 240 minutes.
- The default time is 30 minutes.
- The oven timer may be used to time other activities even when the oven is turned off.

### To Adjust the Timer:

1. Push in on the knob to select the timer.
2. Turn the knob right or left to select the time.
3. When the time expires, the  flashes and the timer sounds with two short beeps repeated every 3 seconds.
4. Push in on the knob to stop the timer alarm.

## TIMER ALARM

**To adjust the volume of the timer alarm:**

1. Turn the Oven Mode knob to Light.
2. Turn the Time/Temp knob to the left to select between 3 available volumes.

**NOTE:** The timer alarm will sound two short beeps every 3 seconds at the selected volume level until the alarm is either turned off or times out.

## TEMPERATURE UNIT MEASUREMENT

To select Fahrenheit or Celsius press +/- knob twice, when the display shows F or C turn +/- knob to change the unit on measurement, press again +/- knob to confirm.

## COOKING WITH THE CONVECTION OVEN

In a conventional oven, the heat sources cycle on and off to maintain an average temperature in the oven cavity.

As the temperature gradually rises and falls, gentle air currents are produced within the oven. This natural convection tends to be inefficient because the currents are irregular and slow. In this convection system the heat is "conveyed" by a fan that provides continuous circulation of the hot air. This European Convection system provides state-of-the-art engineering and advanced design to create the finest convection oven. In standard convection ovens, a fan simply circulates the hot air around the food. The system is characterized by the combination of an additional heating element located around the convection fan and the venting panel that distributes heated air in three dimensions: along the sides, the top, and the full depth of the oven cavity. This European Convection system aids in maintaining a more even oven temperature throughout the oven cavity.

The circulating air aids in speeding up the baking process and cooks the food more evenly. By controlling the movement of heated air, convection cooking produces evenly browned foods that are crispy on the outside yet moist inside. Convection cooking works best for breads and pastries as well as meats and poultry. Air-leavened foods like Angel food cakes, soufflés, and cream puffs rise higher than in a conventional oven. Meats stay juicy and tender while the outside is flavorful and crisp.

By using European Convection, foods can be cooked at a lower temperature and cooking times can be shorter.

When using this mode, the standard oven temperature should be lowered by 25 °F (15 °C). Foods requiring less cooking time should be checked slightly earlier than normal. For best results, foods should be cooked uncovered, in low-sided pans to take advantage of the forced air circulation. When using the Convection Roast mode, the standard oven temperature does not need to be reduced.

## ADVANTAGES OF CONVECTION COOKING

- Baking on multiple racks at the same time is possible with even results.
- Multiple-rack baking saves time.
- Prepare whole meals at once with no flavor transfer
- Requires no specialized bakeware.
- Dehydrates herbs, fruits and vegetables
- Saves time and energy.
- Convection broiling allows for extraordinary grilling with thicker cuts of food.

## OVEN MODES

The following illustrations give an overview of what happens in the oven with each mode setting. The arrows represent the location of the heat sources during each modes. The lower heating element is concealed under the oven floor.

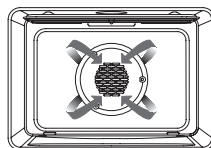
The maximum time the oven will remain on is 11 hours and 59 minutes. After this amount of time has elapsed, "END" will appear in the display.

- Adjust the time by turning the +/- knob to add more time.
- Turn the Oven Mode knob to select the desired oven function.

### CONVECTION BAKE (CONV BAKE)

Set temperature: from 120 °F (50 °C) to 480 °F (250 °C)  
(preset position 375 °F [190 °C])

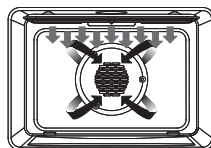
Convection Bake cooks with heat from ring elements behind the back wall of the oven. The heat is circulated throughout the oven by the convection fan.



### CONVECTION BROIL (CONV BROIL)

Set temperature: from 120 °F (50 °C) to 485 °F (250 °C)  
(preset position 445 °F [230 °C])

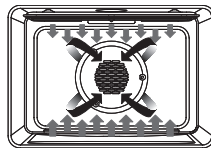
Convection Broil combines the intense heat from the upper element with the heat circulated by the convection fan.



### CONVECTION ROAST (CONV ROAST)

Set temperature: from 120 °F (50 °C) to 480 °F (250 °C)  
(preset position 375 °F [190 °C])

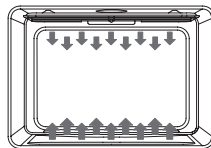
Convection Roast uses the upper and lower elements and convection fan.



### BAKE (BAKE)

Set temperature: from 120 °F (50 °C) to 485 °F (250 °C)  
(preset position 410 °F [210 °C])

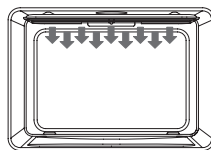
Bake cooks with heated air. Both the upper and lower elements cycle to maintain the oven temperature.



## BROIL (BROIL)

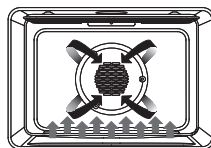
Set temperature: from 120°F (50°C) to 485°F (250°C)  
(preset position 445°F [230°C])

Broiling uses intense heat radiated from the upper element.



## DEFROST (CONV)

Does not use any heating element, only the convection fan is used to defrost foods.



## COOKING FUNCTIONS

Turn the Oven Mode knob to select the desired oven function.

Control	Mode Description	Used for:
<b>OFF</b>	All the cooking modes are OFF and the oven heating elements are OFF.	N/A
<b>Light</b>	The light is on only.	N/A
<b>Defrost</b>	In this mode only the internal oven convection fan is ON i.e. there is no oven heating.	This mode is used to defrost deep frozen food.
<b>Bake</b>	In this mode both upper (top) and lower (bottom) oven heating elements are used to heat the oven air. However, no fan is used to circulate the heat.	This is the traditional mode of cooking on one shelf. Therefore only one rack can be used when selecting the Bake mode. Ideal for Appetizers, Biscuits, Coffee Cakes and Cookies.
<b>Convection Roast</b>	The Convection Roast mode uses the upper (top) oven heating element, the lower (bottom) heating element and the convection fan inside the oven.	Ideal for the roasting of whole chickens or turkey and pizza. It can also be used for baking/cooking Appetizers, Biscuits, Coffee Cakes and Cookies on one or more levels.
<b>Convection Bake</b>	The Convection Bake mode uses the circular or third heating element hidden behind the baffle at the back wall of the oven. The heat is circulated throughout the oven by the oven convection fan.	Consequently different foods can be cooked simultaneously (maximum three levels) and is suitable for preparing a complete dinner (small portions). Mixing of flavors is avoided and an important energy saving is obtained.
<b>Convection Broil</b>	Suitable for preparing a complete dinner (small portions). Mixing of flavors is avoided and an important energy savings is obtained.	Ideal for steak, hamburgers, chicken quarters or chicken breasts.



<b>Broil</b>	The Grill mode uses intense heat radiated from the upper (top) heating element.	Ideal for preparing toast, browning and grilling.
<b>Self Clean</b>	The standard time is 1.30 h and can be changed.	Self-cleaning mode. Here the oven is automatically cleaned by burning-off cooking residue at high temperature (about 460 °C) from 1h to 3h. During the self-cleaning cycle all fumes produced are filtered and then expelled to ambient.

## QUICK TIPS

### CONVECTION COOKING

#### ABOUT CONVECTION COOKING

Standard cooking modes (Bake, Broil, etc.) use heat radiated from one or more elements to cook food. Convection modes use both heat from the elements and fans in the back of the oven to continuously circulate the heated air throughout the oven.


#### ADVANTAGES OF CONVECTION COOKING

- Even baking, browning and crisping.
- Juices and flavors are sealed in.
- Foods requiring heated air to rise such as cream puffs, soufflés, meringues and breads are higher and lighter.
- Multiple rack cooking.
- No special bake ware required.
- Saves time and energy.

**DO NOT use Convection Bake for meats. Use Convection Roast instead.**

Mode	Use this mode for:	For Best results	Quick Cooking Tip
<b>Convection Bake</b>	<ul style="list-style-type: none"> <li>Large quantities of food on multiple racks.</li> <li>Pastries, breads, snack, foods and appetizers.</li> </ul>	<ul style="list-style-type: none"> <li>Use low-sided, uncovered pans.</li> <li>Center baking sheets side to side on the oven rack.</li> </ul>	<ul style="list-style-type: none"> <li>Reduce recipe temperature by 25 °F (15 °C).</li> <li>Check food for doneness early:</li> </ul> <p><b>If recipe calls for Check food</b></p> <p>1 - 15 min. - 3 min. early          6 - 30 min. - 5 min. early          31 min.-1hr. - 10 min. early</p>
<b>Convection Broil</b>	<ul style="list-style-type: none"> <li>Thicker, tender, cuts of meat, poultry and fish.</li> <li>DO NOT use this mode for browning breads or casseroles.</li> </ul>	<ul style="list-style-type: none"> <li>Meats should be at least 1" thick.</li> </ul>	<ul style="list-style-type: none"> <li>No conversion from standard Broil is necessary.</li> <li>Refer to Convection Broil Chart in this Manual for cooking times.</li> </ul>
<b>Convection Roast</b>	<ul style="list-style-type: none"> <li>Large, tender cuts of meat and poultry such as roast or whole chicken.</li> </ul>	<ul style="list-style-type: none"> <li>DO NOT cover meat or use cooking bags</li> <li>Refer to Convection Roast Chart in this Manual for cooking times</li> </ul>	<ul style="list-style-type: none"> <li>Do NOT change recipe temperature</li> </ul>

## SETTING AN OVEN FUNCTION MANUALLY

Turn the mode knob into the desired position, the clock display shows On for a few seconds. The oven will work for a maximum time (12hours). Depending on the oven model, the number and type of available functions can be different. If the clock display function is active the symbol  appears (it doesn't appear in light position).

Turn the Temp & Time selector and set the desired oven temperature. The control offers a PRESET temperature per every cooking mode or a full range between MIN and MAX to be adjusted by hand. Check the value on the display after having selected the temperature.

The temperature appears on the clock display when the Time & Temp selector is pushed or when a new function has just been selected.

As soon as the oven starts, the preheat LED (indicated by the bars) on the bottom of the clock display starts flashing and becomes steadily on when the preheat ends with a beep.

Turn the mode selector to ZERO (OFF) position to stop any activity, the display will show OFF for a few seconds.

## SETTING AN AUTOMATIC OVEN FUNCTION

### WARNING

#### Food Poisoning Hazard

Do not let food sit in oven more than one hour before or after cooking.

Doing so can result in food poisoning or sickness.

After selecting an Oven Mode, you can program the oven for Timed cooking. The Timed cooking program will remain set even if you change the Oven Mode with the exception of the Self-Clean mode.


The following possibilities are available:

1. Timed cooking setting the cooking time (duration).
2. Timed cooking setting the end of cooking time (stop time).
3. Delayed cooking setting duration and stop time.


Push the knob to toggle between cooking duration (cook time) and end of cooking time (stop time): the words "dur" or "End" are displayed respectively.


Turn the knob left/right to adjust the duration or the stop time when the proper word is displayed:

1. When "dur" is displayed, the control shows 30 minutes as the default cooking duration. Turn the knob left/right to set the desired cooking time in a range between 0 and 240 minutes. The display will flash "dur" and its value alternately for a few seconds then it will show the time-of-day, the pot symbol and the "A" letter to indicate that a timed cooking is active. The end of cooking time is updated automatically.
2. When the word End is displayed, the control shows the current time as the initial stop time. To set the desired end-of-cooking time:
  - Turn the +/- knob left/right and the hours will flash.
  - Adjust the hours by turning the knob left/right.
  - Push in on the knob to toggle back and forth between hours and minutes or wait a few seconds until the minutes flash.
  - Adjust the minutes by turning the knob left/right.
  - Wait until the new End of Cooking time value stops flashing.

The display will flash End and its value alternately for a few seconds, and then it will show the time of day, the  symbol and the "A" letter to indicate that a timed cooking is active. The cooking duration is updated automatically.

3. Follow the instructions for setting the cooking duration (Number 1), and then push the knob until End appears. The control shows the "current time + cooking time" as the initial stop time. It is not possible to lower the end of cooking time below this value. To set the desired actual End-of-Cooking time:
- Turn the +/- knob left/right and the hours will flash.
  - Adjust the hours by turning the knob left/right.
  - Push in on the knob to toggle back and forth between hours and minutes or wait a few seconds until the minutes flash.
  - Adjust the minutes by turning the knob left/right.
  - Wait until the new End-of-Cooking time value stops flashing.

The display will flash End and its value alternately for a few seconds then it will show the time of day and the "A" letter to indicate that a delayed cooking has been programmed. As soon as the delay time expires, the oven turns on and heats for the programmed cooking time. The  symbol is displayed.

At the end of any timed activity the control turns off the oven, the timer alarm sounds (two short beeps repeated every 3 seconds), for a maximum time and makes the time related icons  flash on the display. Push the knob to turn off the timer alarm and reset the display.

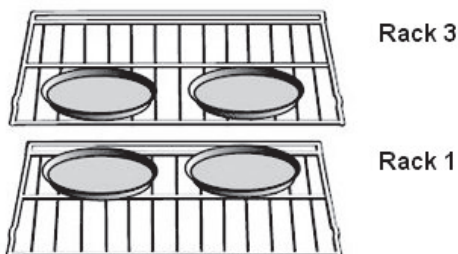
Turn the Oven Mode knob to the OFF position before reusing the oven.

## CONVECTION BAKE TIPS AND TECHNIQUES

Reduce recipe baking temperatures by 25°F (15°C).

- For best results, foods should be cooked uncovered, in low-sided pans to take advantage of the forced air circulation. Use shiny aluminum pans for best results unless otherwise specified.
- Heatproof glass or ceramic can be used. Reduce temperature by another 25 °F (15 °C) when using heatproof glass dishes for a total reduction of 50 °F (30 °C).
- Dark metal pans may be used. Note that food may brown faster when using dark metal bake ware.
- The number of racks used is determined by the height of the food to be cooked.
- Baked items, for the most part, cook extremely well in convection. Do not try to convert recipes such as custards, quiches, pumpkin pie, or cheesecakes, which do not benefit from the convection-heating process. Use the regular Bake mode for these foods.
- Multiple rack cooking for oven meals is done on rack positions 1, 2, 3, 4 and 5. All five racks can be used for cookies, biscuits and appetizers.
  - 2 rack baking: Use positions 1 and 3.
  - 3 rack baking: Use positions 2, 3 and 4 or 1, 3 and 5.

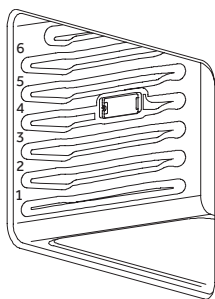
- When baking four cake layers at the same time, stagger pans so that one pan is not directly above another. For best results, place cakes on front of upper rack and back of lower rack (See graphic at right). Allow 1" - 1½" (2.5 - 3 cm) air space around pans.



- Converting your own recipe can be easy. Choose a recipe that will work well in convection.
- Reduce the temperature and cooking time if necessary. It may take some trial and error to achieve a perfect result. Keep track of your technique for the next time you want to prepare the recipe using convection.
- See Troubleshooting for tips to Solving Baking and Roasting Problems.

## FOODS RECOMMENDED FOR CONVECTION BAKE MODE:

Appetizers Biscuits Coffee Cakes, Cookies (2 to 4 racks) Yeast Breads, Cream Puffs, Popovers, Casseroles, and One-dish Entrées, Oven Meals (rack positions 1, 2, 3), Air-leavened Foods (Soufflés, Meringue-Topped Desserts, Angel Food Cakes, Chiffon Cakes)



## QUICK AND EASY RECIPE TIPS

### Converting from standard BAKE to CONVECTION BAKE:

- Reduce the temperature by 25 °F (15 °C).
- Use the same baking time as Bake mode if under 10 to 15 minutes.
- Foods with a baking time of less than 30 minutes should be checked for doneness 5 minutes earlier than in standard bake recipes.
- If food is baked for more than 40 to 45 minutes, bake time should be reduced by 25%.

## CONVECTION BAKE CHART

- Reduce standard recipe temperature by 25 °F (15 °C) for Convection Bake.
- Temperatures have been reduced in this chart.

FOOD ITEM	RACK POSITION	TEMP. °F ( °C) (PREHEATED OVEN)	TIME (Min.)
<b>Cake</b>			
Cupcakes	2	325 (165)	16-20
Bundt Cake	1	325 (165)	37-43
Angel Food	1	325 (165)	25-35
<b>Pie</b>			
2 crust, fresh, 9"	2	350-400 (175-205)	35-45
2 crust, frozen fruit, 9"	2	350 (175)	68-78
<b>Cookies</b>			
Sugar	2	325-350 (165-175)	8-12
Chocolate Chip	2	325-350 (165-175)	10-15
Brownies	2	325 (165)	25-30
<b>Breads</b>			
Yeast bread loaf, 9x5	2	350 (175)	15-22
Yeast rolls	2	350-375 (175-190)	10-15
Biscuits	2	375 (190)	6-10
Muffins	2	400 (205)	13-16
<b>Pizza (Multiple rack cooking)</b>			
Frozen	1 and 3	375-425 (190-220)	12-18
Fresh	1 and 3	375-425 (190-220)	8-14

The TEMP and TIME in the chart above are for the 240 V setting.

This chart is a guide. Follow recipe or package directions and adjust temperatures / time appropriately.

## BAKE TIPS AND TECHNIQUES

Baking is cooking with heated air. Both upper and lower elements in the oven are used to heat the air but no fan is used to circulate the heat.

Follow the recipe or convenience food directions for baking temperature, time and rack position. Baking time will vary with the temperature of ingredients and the size, shape and finish of the baking utensil.

### GENERAL GUIDELINES

- For best results, bake food on a single rack with at least 1" - 1½" (2,5 - 3cm) space between utensils and oven walls.
- Use one rack when selecting the Bake Mode.
- Check for doneness at the minimum time.
- Use metal bake ware (with or without a non-stick finish), heatproof glass, glass-ceramic, pottery or other utensils suitable for the oven.

- When using heatproof glass, reduce temperature by 25 °F (15 °C) from recommended temperature.
- Use baking sheets with or without sides or jelly roll pans.
- Dark metal pans or nonstick coatings will cook faster with more browning. Insulated bake ware will slightly lengthen the cooking time for most foods.
- Do not use aluminum foil or disposable aluminum trays to line any part of the oven. Foil is an excellent heat insulator and heat will be trapped beneath it. This will alter the cooking performance and can damage the finish of the oven.
- Avoid using the opened oven door as a shelf to place pans.
- See Troubleshooting for tips to Solving Baking and Roasting Problems.

## BAKE CHART

FOOD ITEM	RACK POSITION	TEMP. °F ( °C) (PREHEATED OVEN)	TIME (Min.)
<b>Cake</b>			
Cupcakes	2	350 (175)	19-22
Bundt Cake	1	350 (175)	40-45
Angel Food	1	350 (175)	35-39
<b>Pie</b>			
2 crust, fresh, 9"	2	375-400 (190-205)	45-50
2 crust, frozen fruit, 9"	2	375 (190)	68-78
<b>Cookies</b>			
Sugar	2	350-375 (175-190)	8-10
Chocolate Chip	2	350-375 (175-190)	8-13
Brownies	2	350 (175)	29-36
<b>Breads</b>			
Yeast bread loaf, 9x5	2	375 (190)	18-22
Yeast rolls	2	375-400 (190-205)	12-15
Biscuits	2	375-400 (190-205)	7-9
Muffins	2	425 (220)	15-19

The TEMP and TIME in the chart above are for the 240 V setting.

This chart is a guide. Follow recipe or package directions and adjust temperatures / time appropriately.

## CONVECTION BROIL TIPS AND TECHNIQUES

- Place rack in the required position needed before turning on the oven.
- Use Convection Broil mode with the oven door closed.
- Do not preheat oven. (This means, "PREHEAT" indication automatically appears when the Convection Broil mode is selected, so place food inside the oven before selecting the Cooking mode)
- Use the 2-piece broil pan. (Without the 2-piece pan there may be a risk of fire with drip of the fat from the meat).
- Turn meats once halfway through the cooking time (see Convection Broil Chart).

## CONVECTION BROIL CHART

FOOD AND THICKNESS	RACK POSITION	OVEN TEMP °F (°C)	TIME SIDE 1 (Min.)*	TIME SIDE 2 (Min.)*
<b>Beef</b>				
Steak (1" or more)				
Medium rare	4	450 (230)	10-12	10-12
Medium	4	450 (230)	15-17	13-15
Well	4	450 (230)	16-18	13-15
Hamburgers (1" or more)				
Medium	4	550 (290)	9-11	5-8
Well	4	550 (290)	11-13	8-10
<b>Poultry</b>				
Chicken Quarters	4	450 (230)	18-20	13-15
Chicken Halves	3	450 (230)	25-27	15-18
Chicken Breasts	4	450 (230)	14-16	10-14
<b>Pork</b>				
Pork Chops (1¼" or more)	4	450 (230)	13-15	12-14
Sausage - fresh	4	450 (230)	4-6	3-5

The TEMP. and TIME in the chart above are for the 240 V setting.

\* Broiling and convection broiling times are approximate and may vary slightly.

Cooking times are indicative and also depend on the thickness and the starting temperature of the meat before cooking.

## BROIL TIPS AND TECHNIQUES

- Place rack in the required position needed before turning on the oven.
- Use Broil mode with the oven door closed.
- Preheat oven for 5 minutes before use.
- Use the 2-piece broil pan. (Without using a 2-piece pan may have risk of fire with drip of the fat from the meat.)
- Turn meats once halfway through the cooking time (see Broil Chart).



## BROIL CHART

Food and Thickness	Rack Position	Broil Setting	Time Side 1 (Min.)*	Time Side 2 (Min.)*
<b>Beef</b>				
Steak (1" or more) Medium rare	5	L 5	5-7	4-6
Medium	5	L 5	6-8	5-7
Well	5	L 5	8-10	7-9
Hamburgers (1" or more) Medium	4	L 5	8-13	11
Well	4	L 5	10-15	8-12
<b>Poultry</b>				
Breast (bone-in)	4	L 4	10-12	8-10
Thigh (very well done)	4	L 3	28-30	13-15
<b>Pork</b>				
Pork Chops (1")	5	L 5	7-9	5-7
Sausage - fresh	5	L 5	5-7	3-5
Ham Slice (½")	5	L 5	4-6	3-5
<b>Seafood</b>				
Fish Filets, 1" Buttered	4	L 4	10-14	N/A
<b>Lamb Chops (1")</b>				
Medium Rare	5	L 5	5-7	4-6
Medium	5	L 5	6-8	4-6
Well	5	L 5	7-9	5-7
<b>Bread</b>				
Garlic Bread, 1" slices	4	L 5	2-3	N/A
Garlic Bread, 1" slices	3	L 5	4-6	

The BROIL SETTING and TIME in the chart above are for the 240 V setting.

\* Broiling and convection broiling times are approximate and may vary slightly.

Cooking times are approximate and also depend on the thickness and the starting temperature of the meat before cooking.

<b>Food Service Temperature Guidelines from FSIS (USDA food Safety &amp; Inspection Service)</b>			
140 °F (60 °C)	Ham, precooked (to Reheat)	165 °F (74 °C)	Stuffing (cooked alone or in bird)
145 °F (63 °C)	Fresh beef, Veal, Lamb (medium rare)		Leftovers & Casseroles
160 °F (71 °C)	Ground Meat & Meat mixtures (Beef, Pork, Veal, Lamb)	170 °F (77 °C)	Fresh beef, Veal, Lamb (well done)
	Fresh beef, Veal, Lamb (medium)		Poultry breast
	Fresh Pork (medium)		Fresh Pork (well done)
	Fresh Ham (raw)	180 °F (82 °C)	Chicken and Turkey (Whole)
	Egg Dishes		Poultry (thighs and wings)
165 °F (74 °C)	Ground Meat & Meat mixtures (Turkey, Chicken)		Duck and Goose

**NOTE:** Eggs (alone, not used in a recipe) – cook until yolk & white are firm

## CONVECTION ROAST TECHNIQUES

- Do not preheat for Convection Roast. (This mean, "PREHEAT" indication is automatically appear when the Convection Roast mode is selected, but place food inside the oven before selecting the Cooking mode.)
- Roast in a low-sided, uncovered pan.
- When roasting whole chickens or turkey, tuck wings behind back and loosely tie legs with kitchen string.
- Use the 2-piece broil pan for roasting uncovered. (Without the 2-piece pan, may have risk of fire with the drip of the fat from the meat.)

## WARNING



### Burn Hazard

Use an oven mitt to remove temperature probe.

Do not touch broil element.

Failure to do so can result in burns.

- Use the probe or a meat thermometer to determine the doneness by checking internal temperature (see Convection Roast Chart).

- Double-check the internal temperature of meat or poultry by inserting meat thermometer into another position.
- Large poultry may also need to be covered with foil (and pan roasted) during a portion of the roasting time to prevent over-browning.
- The minimum safe internal temperature for stuffing in poultry is 165°F (74°C).
- After removing the item from the oven, cover loosely with foil for 10 to 15 minutes before carving, if necessary, to increase the final foodstuff temperature by 5° to 10 °F (3° to 6° C).
- See Troubleshooting for tips to Solving Baking and Roasting Problems.

## QUICK AND EASY RECIPE TIPS

### Converting from standard bake to convection roast:

- Temperature does not have to be lowered.
- Roasts, large cuts of meat and poultry generally take 10-20% less cooking time. Check doneness early.
- Casseroles or pot roasts that are baked covered in CONVECTION ROAST will cook in about the same amount of time.

## CONVECTION ROAST CHART

MEATS	WEIGHT lb (kg)	RACK POSITION	OVEN TEMP °F (°C)	TIME (Min. per lb)	INTERNAL TEMP. °F (°C)
<b>Beef</b>					
Rib Roast	4-6 (2-3)	2	325 (165)	18-22 20-25	145 (63) medium rare 160 (71) medium
Rib Eye Roast, (boneless)	4-6 (2-3)	2	325 (165)	18-22 20-25	145 (63) medium rare 160 (71) medium
Rump, Eye, Tip, Sirloin (boneless)	3-6 (1,5-3)	2	325 (165)	18-22 20-25	145 (63) medium rare 160 (71) medium
Tenderloin Roast	2-3 (1-1,5)	2	425 (220)	15-20	145 (63) medium rare
<b>Pork</b>					
Loin Roast (boneless or bone-in)	5-8 (2,5-4)	2	350 (175)	18-22	160 (71) medium
Shoulder	3-6 (1,5-3)	2	350 (175)	20-25	160 (71) medium

<b>Poultry</b>					
Chicken whole, not stuffed	3-4 (1,5-2)	2	375 (190)	20-23	180 (82)
Turkey, not stuffed	12-15 (6-7,5)	1	325 (165)	10-14	180 (82)
Turkey, not stuffed	16-20 (8-10)	1	325 (165)	9-11	180 (82)
Turkey, not stuffed	21-25 (10,5-12,5)	1	325 (165)	6-10	180 (82)
Turkey Breast	3-8 (1,5-4)	1	325 (165)	15-20	170 (77)
Cornish Hen	1 - 1½ (0,5-0,75)	2	350 (175)	45-75 total	180 (82)
<b>Lamb</b>					
Half Leg	3-4 (1,5-2)	2	325 (165)	20-27 25-32	160 (71) medium 170 (77) well
Whole Leg	6-8 (3-4)	1	325 (165)	20-27 25-32	160 (71) medium 170 (77) well

The TEMP and TIME in the chart above are for the 240 V setting.

Cooking times are indicative and also depend on the thickness and the starting temperature of the meat before cooking.

## OVEN CARE AND CLEANING

### SELF-CLEANING THE OVEN

#### WARNING



#### Burn Hazard

Do not touch the oven during the Self-Cleaning cycle.

Keep children away from oven during Self-Cleaning cycle.

Failure to do so can result in burns.

This oven features a Self-Cleaning function that eliminates the difficult and time consuming manual scrubbing of the oven interior. During Self-Cleaning, the oven uses a very high temperature (approx. 860 °F/460 °C) to burn away food soil and grease.

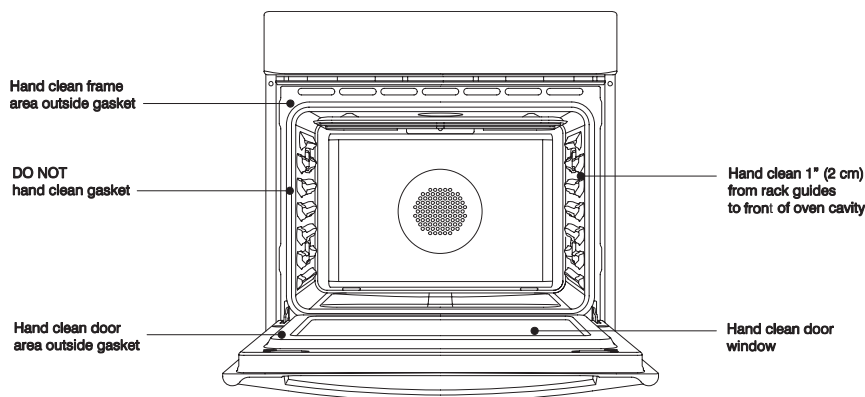
- It is common to see smoke and/or an occasional flame-up during the Self-Cleaning cycle, depending on the content and amount of soil remaining in the oven. If a flame persists, turn off the oven and allow it to cool before opening the door to wipe up the excessive food soil.
- The door latch is automatically activated after selecting the Self-Cleaning cycle. The Lock icon will appear in the display. This ensures that the door cannot be opened while the oven interior is at clean temperatures.
- The oven light does not operate during this mode.
- During Self-Cleaning, the kitchen should be well ventilated to help eliminate odors associated with Self-Cleaning. Odors will lessen with use.
- 1h:30 is the preset length of cleaning.
- The mode automatically stops at the end of the clean hours.
- When the oven heat drops to a safe temperature, the automatic door lock will release and the door can be opened.

## PREPARING THE OVEN FOR SELF-CLEANING

1. Remove all utensils and bake ware.
2. Remove non-porcelain oven racks.

**IMPORTANT:** If chromed racks are left in the oven during the Self-Cleaning cycle, they will permanently lose the shiny finish and change to a dull, dark finish. See Cleaning Chart for proper care.

3. Wipe up any soft soil spills and grease with paper towels. Excess grease will cause flames and smoke inside the oven during Self-Cleaning.
4. Review illustration below. Some areas of the oven must be cleaned by hand before the cycle begins. They do not get hot enough during the cleaning cycle for soil to burn away. Use a soapy sponge, plastic scrubber, or a detergent-filled S.O.S. pad. Hand-clean the oven door edge, oven front frame and up to 1½" (2 - 3 cm) inside the frame with detergent and hot water. Do not rub the oven gasket. Clean the oven door window by hand. Rinse all areas thoroughly then dry.
5. Be sure oven interior lights are turned off and the light bulbs and lens covers are in place.



## SETTING THE SELF-CLEANING MODE

Before using the Self-Cleaning Mode please read the Oven Care and Cleaning page carefully and follow the Preparing the Oven for Self-Cleaning first.

### SELF-CLEAN

Turn the mode knob in the proper position then press the +/- knob to start a cleaning cycle.

The oven self-cleaning time can be set using the timed cooking instructions to delay the self-cleaning cycle.

The maximum allowed clean time is 3 hours, the minimum is 1 hour. The default time is 1h:30min, the clock display shows P1:30. At the end of the self-cleaning activity the display shows P--- steady and A flashing. The icons will disappear from the display when the mode selector is turned to the OFF position. The door remains locked until the oven temperature drops below the safety threshold, at this time the control unlocks the door.

The cooling fan starts as soon as the self-clean is selected and turns to its higher speed when the internal components get hot. The oven temperature is automatically set to 460°F (238°C) in order to perfectly clean the cavity.



The control also locks the door immediately for your safety because the oven temperature will become extremely hot. The Lock icon LED shows the status of the door lock at any time:

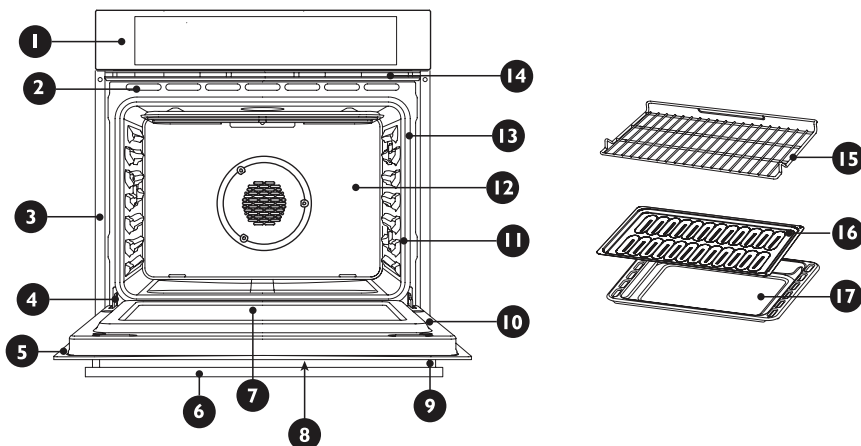
- Door unlocked, lock LED off.
- Door locked, lock LED always on.
- Latch moving, transition in progress, lock LED flashing.

To reuse the oven after self-cleaning, turn the oven mode knob to the OFF position.

# GENERAL OVEN CARE

## HOW TO USE THE CLEANING CHART

1. Locate the number of the part to be cleaned in the illustration below.
2. Find the part name in the Cleaning Chart.
3. Match the letter with the cleaning method on following chart.



## CLEANING CHART

Part		Cleaning Method			
		Stainless Steel Oven	Part		
1	Control Panel	C-G	10	Interior Oven Door	E
2	Door Cooling Vent	E	11	Oven Front Frame	E
3	Side Trim	D	12	Oven Cavity	E
4	Bottom Trim	D	13	Door Gasket	B
5	Door Frame	E	14	Oven Cooling Vents	D
6	Door Handle	G	15	Oven Rack	A
7	Interior Door Windows	F	16	Broiler Pan Rack	E
8	Door Front	C&G	17	Broiler Pan	E
9	End Caps	D			

Please refer to the following chart for Cleaning Method.

## OVEN FINISHES / CLEANING METHODS

The entire oven can be safely cleaned with a soapy sponge, rinsed and dried. If stubborn soil remains, follow the recommended cleaning methods below.

- Always use the mildest cleaner that will do the job.
- Rub metal finishes in the direction of the grain.
- Use clean, soft cloths, sponges or paper towels.
- Rinse thoroughly with a minimum of water so it does not drip into door slots.
- Dry to avoid water marks.

The cleaners listed below indicate types of products to use and are not being endorsed. Use all products according to package directions.

Part	Cleaning Method
<b>A</b> Chrome Plated	Wash with hot sudsy water. Rinse thoroughly and dry. Or, gently rub with Soft Scrub <sup>®</sup> , Bon-Ami <sup>®</sup> , Comet <sup>®</sup> , Ajax <sup>®</sup> , Brillo <sup>®</sup> or S.O.S. <sup>®</sup> pads as directed.  Easy Off <sup>®</sup> or Dow <sup>®</sup> Oven Cleaners (cold oven formula) can be used, but may cause darkening and discoloration.  Racks may be cleaned in the oven during the Self-Cleaning mode. However, chromed racks will lose their shiny finish and permanently change to a metallic gray.
<b>B</b> Fiberglass Knit	DO NOT HAND CLEAN GASKET.
<b>C</b> Glass	Spray Windex <sup>®</sup> or Glass Plus <sup>®</sup> onto a cloth first, then wipe to clean. Use Fantastik <sup>®</sup> or Formula 409 <sup>®</sup> to remove grease spatters.
<b>D</b> Painted	Clean with hot sudsy water or apply Fantastik <sup>®</sup> or Formula 409 <sup>®</sup> first to a clean sponge or paper towel and wipe clean. Avoid using powdered cleansers and steel wool pads.
<b>E</b> Porcelain	Immediately wipe up acidic spills like fruit juice, milk and tomatoes with a dry towel. Do not use a moistened sponge/towel on hot porcelain. When cool, clean with hot sudsy water or apply Bon-Ami <sup>®</sup> or Soft Scrub <sup>®</sup> to a damp sponge. Rinse and dry. For stubborn stains, gently use Brillo <sup>®</sup> or S.O.S. <sup>®</sup> pads. It is normal for porcelain to craze (fine lines) with age due to exposure from heat and food soil.
<b>F</b> Reflective Glass	Clean with hot sudsy water and sponge or plastic scrubber. Rub stubborn stains with vinegar, Windex <sup>®</sup> , ammonia or Bon-Ami <sup>®</sup> DO NOT USE HARSH ABRASIVES.
<b>G</b> Stainless	Always wipe or rub with grain. Clean with a soapy sponge then rinse and dry. Or, wipe with Fantastik <sup>®</sup> or Formula 409 <sup>®</sup> sprayed onto a paper towel. Protect and polish with Stainless Steel Magic <sup>®</sup> and a soft cloth. Remove water spots with a cloth dampened with white vinegar. Use Zud <sup>®</sup> , Cameo <sup>®</sup> , Bar Keeper's Friend <sup>®</sup> or RevereWare Stainless Steel Cleaner <sup>®</sup> , to remove heat discoloration.



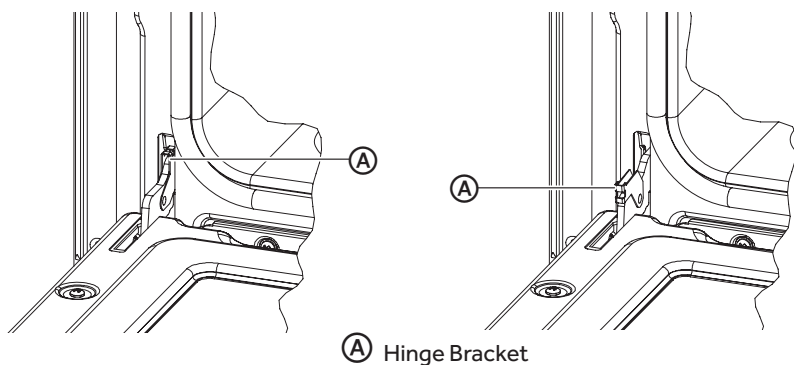
## OVEN DOOR REMOVAL

### TO REMOVE DOOR

#### IMPORTANT:

- Make sure oven is cool and power to the oven has been turned off before removing the door.
- The oven door is heavy and fragile. Use both hands to remove the oven door. The door front is glass. Handle carefully to avoid breakage.
- Grasp only the sides of the oven door. Do not grasp the handle as it may swing in your hand and cause damage or injury.

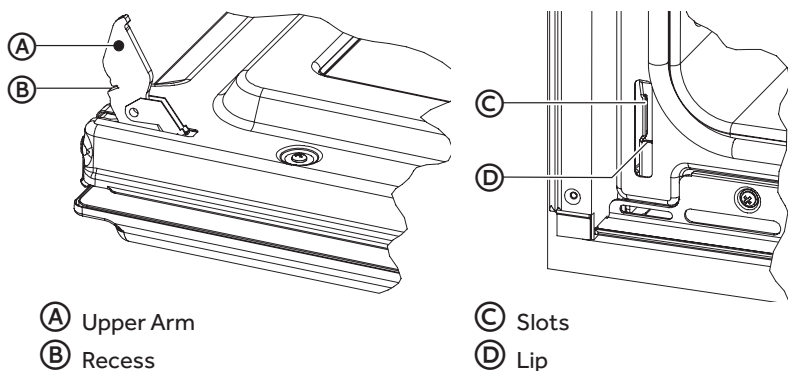
1. Open the door completely.
2. Lift up the hinge bracket.



3. Hold the door firmly on both sides using both hands and close the door.
4. Hold firmly; the door is heavy.
5. Place the door in a convenient location.

### TO REPLACE DOOR

1. Insert the upper arms of both hinges into the slots. The recesses must hook on the lips.



2. Move the hinge brackets back down into position.
3. Close and open the door slowly to assure that it is correctly and securely in place.

## REPLACING AN OVEN LIGHT

### **WARNING**



#### **Electrical Shock Hazard**

Make sure the oven and lights are cool and power to the oven has been turned off before replacing the light bulb(s).

The lenses must be in place when using the oven. The lenses serve to protect the light bulb from breaking.

The lenses are made of glass. Handle carefully to avoid breakage.

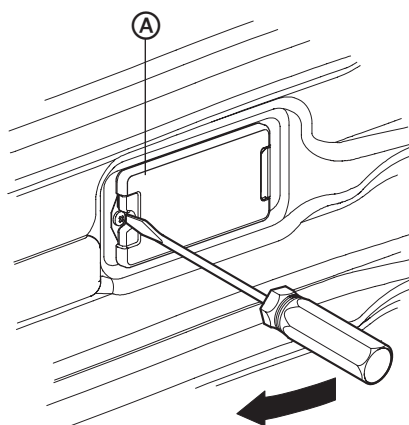
Failure to do so could result in death, electric shock, cuts or burns.

- Oven is equipped with two or three halogen lights located in the side walls of the oven.
- The lights are switched on when the door is opened or when the oven is in a cooking cycle.
- The oven lights are not illuminated during Self-Cleaning.
- Each light assembly consists of a removable lens, a light bulb as well as a light socket housing that is fixed in place.
- Light bulb replacement is considered to be a routine maintenance item.

### **TO REPLACE A LIGHT BULB**

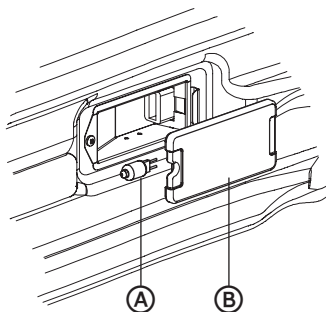
Halogen bulb type: 120 V, 25 W (G9).

1. Make sure oven is turned off and cool.
2. Disconnect power at the main power supply (fuse or breaker box).
3. Open the snap-on lens by carefully inserting the tip of a screwdriver under the metal holder of the lens next to a screw head. Refer to the graphic for the location to insert the screwdriver tip and a direction to move the driver. Unscrewing the screw is not necessary.



Ⓐ Removable Lens

4. Remove the light bulb from its socket by pulling it.



Ⓐ Light Bulb

Ⓑ Removable Lens

5. Replace the bulb with a new one. Avoid touching the bulb with fingers, as oils from hands can damage the bulb when it becomes hot.

**NOTE:** The bulb is halogen: use a bulb of the same type, checking Voltage and Wattage.

6. Replace the lens.
7. Turn on power at the main power supply (fuse or breaker box).

# ENGLISH

## TROUBLESHOOTING

### SOLVING BAKING AND ROASTING PROBLEMS

With either Bake or Convection Bake and Convection Roast poor results can occur for many reasons other than a malfunction of the oven. Check the chart below for causes of the most common problems. Since the size, shape and material of baking utensils directly affect the baking results, the best solution may be to replace old baking utensils that have darkened and warped with age and use. Check the Baking Charts.

Baking and Roasting Problem	Cause
Food browns unevenly	<ul style="list-style-type: none"><li>• Oven not preheated</li><li>• Aluminum foil on oven rack or oven bottom</li><li>• Baking utensil too large for recipe</li><li>• Pans touching each other or oven walls</li></ul>
Food too brown on bottom	<ul style="list-style-type: none"><li>• Oven not preheated</li><li>• Using glass, dull or darkened metal pans</li><li>• Incorrect rack position</li><li>• Pans touching each other or oven walls</li></ul>
Food is dry or has shrunk excessively	<ul style="list-style-type: none"><li>• Oven temperature too high</li><li>• Baking time too long</li><li>• Oven door opened frequently</li><li>• Pan size too large</li></ul>
Food is baking or roasting too slowly	<ul style="list-style-type: none"><li>• Oven temperature too low</li><li>• Oven not preheated</li><li>• Oven door opened frequently</li><li>• Tightly sealed with aluminum foil</li><li>• Pan size too small</li></ul>
Piecrusts do not brown on bottom or crust is soggy	<ul style="list-style-type: none"><li>• Baking time not long enough</li><li>• Using shiny steel pans</li><li>• Incorrect rack position</li><li>• Oven temperature is too low</li></ul>
Cakes pale, flat and may not be done inside	<ul style="list-style-type: none"><li>• Oven temperature too low</li><li>• Incorrect baking time</li><li>• Cake tested too soon</li><li>• Oven door opened too often</li><li>• Pan size may be too large</li></ul>

Cakes high in middle with crack on top	<ul style="list-style-type: none"> <li>• Oven temperature too high</li> <li>• Baking time too long</li> <li>• Pans touching each other or oven walls</li> <li>• Incorrect rack position</li> <li>• Pan size too small</li> </ul>
Piecrust edges too brown	<ul style="list-style-type: none"> <li>• Oven temperature too high</li> <li>• Edges of crust too thin</li> </ul>

## SOLVING OPERATIONAL PROBLEMS

Before calling for service, check the following to avoid unnecessary service charges.

Oven Problem	Problem Solving Steps
E008 Error appears in the display window.	A problem with latch mechanism occurred. Remove power and turn it back on again after a few seconds. The oven should run a latch auto-test. If condition persists, note the code number and call an authorized service center.
Other E Error appears in the display window.	Remove power and turn it back on again after a few seconds. If condition persists, note the code number and call an authorized service center.
The oven display stays OFF	Turn off power at the main power supply (fuse or breaker box). Turn breaker back on. If condition persists, call an authorized service center.
Cooling fan continues to run after oven is turned off	The fan turns off automatically when the electronic components have cooled sufficiently.
Oven door is locked and will not release, even after cooling	Turn the oven off at the circuit breaker and wait a few seconds. Turn breaker back on. The oven should reset itself and will be operable.
Oven is not heating	Check the circuit breaker or fuse box to your house. Make sure there is proper electrical power to the oven. Make sure the oven temperature has been selected.
Oven is not cooking evenly	Check oven calibration. Adjust calibration if necessary (see To Set Temperature). Refer to cook charts for recommended rack position. Always reduce recipe temperature by 25 °F (15 °C) when baking with Convention Bake mode.
Oven temperature is too hot or too cold	The oven thermostat needs adjustment. See Calibrating Oven Temperature.
Oven light is not working properly	Replace or reinsert the light bulb if loose or defective. Touching the bulb with fingers may cause the bulb to burn out.
Oven light stays on	Check for obstruction in oven door. Check to see if hinge is bent or door switch broken.

Cannot remove lens cover on light	There may be a soil build-up around the lens cover. Wipe lens cover area with a clean dry towel prior to attempting to remove the lens cover.
Oven will not Self-Clean properly	Allow the oven to cool before running Self-Cleaning. Always wipe out loose soils or heavy spillover before running Self-Cleaning. If oven is badly soiled, set oven for a four-hour Self-Cleaning. See Preparing the Oven for Self-Cleaning.
Clock and timer are not working properly	Make sure there is proper electrical power to the oven. See the Clock and Timer section.
Excessive moisture	When using bake mode, preheat the oven first. Convection Bake and Convection Roast will eliminate any moisture in oven (this is one of the advantages of convection).
Porcelain chips	When oven racks are removed and replaced, always tilt racks upward and do not force them to avoid chipping the porcelain.

**FOR MORE HELP, VISIT [HAIER.COM](http://HAIER.COM) OR CALL THE CUSTOMER SATISFACTION CENTER HELP LINE AT 1-877-377-3639.**

## LIMITED WARRANTY

### IN-HOME SERVICE

#### FULL TWO YEAR WARRANTY

For 24 months from the date of original retail purchase, Haier will repair or replace any part free of charge including labor that fails due to a defect in materials or workmanship.

Haier may replace or repair at their sole discretion any part, sub system including the entire product.

Product must be accessible, without encumbrance and installed properly to receive for warranty repair service.

#### LIMITED WARRANTY

**NOTE:** This warranty commences on the date the item was purchased, and the original purchase receipt must be presented to the authorized service representative before warranty repairs are rendered.

**Exceptions:** Commercial Use Warranty

**90 days labor from date of original purchase**

**90 days parts from date of original purchase**

**No other warranty applies.**

#### FOR WARRANTY SERVICE

All service must be performed by a Haier authorized service center. For the name and telephone number of the nearest authorized service center, please call 1-877-337-3639.

Before calling please have available the following information:

Model number and serial number of your appliance. The name and address of the dealer you purchased the unit from and the date of purchase.

A clear description of the problem.

A proof of purchase (sales receipt).

**This warranty covers home appliance services within the contiguous United States and Canada and where available in Alaska, Hawaii and Puerto Rico.**

#### What is not covered by this warranty:

Replacement or repair of household fuses, circuit breakers, wiring or plumbing.

A product whose original serial number has been removed or altered.

Any service charges not specifically identified as normal such as normal service area or hours.

Replacement of light bulbs.

Damage to clothing.

Damage incurred in shipping.

Damage caused by improper installation or maintenance.

Damage from misuse, abuse accident, fire, flood, or acts of nature.

Damage from service other than an authorized Haier dealer or service center.

Damage from incorrect electrical current, voltage or supply.

Damage resulting from any product modification, alteration or adjustment not authorized by Haier.

Adjustment of consumer operated controls as identified in the owner's manual.

Hoses, knobs, lint trays and all attachments, accessories and disposable parts.

Labor, service transportation, and shipping charges for the removal and replacement of defective parts beyond the initial 24-month period.

Damage from other than normal household use.

Any transportation and shipping charges.

**THIS LIMITED WARRANTY IS GIVEN IN LIEU OF ALL OTHER WARRANTIES, EXPRESS ED OR IMPLIED, INCLUDING BUT NOT LIMITED TO, THE WARRANTIES OF MERCHANTABILITY AND FITNESS FOR A PARTICULAR PURPOSE**

The remedy provided in this warranty is exclusive and is granted in lieu of all other remedies.

This warranty does not cover incidental or consequential damages, so the above limitations may not apply to you. Some states do not allow limitations on how long an implied warranty lasts, so the above limitations may not apply to you.

This warranty gives you specific legal rights, and you may have other rights, which vary from state to state.

Haier America  
Wayne, NJ 07470

# TABLE DES MATIÈRES

SÉCURITÉ DE DE FOUR .....	39
CARACTÉRISTIQUES DE VOTRE FOUR .....	44
INFORMATION GÉNÉRALE SUR LE FOUR .....	45
CONSEILS GÉNÉRAUX POUR LE FOUR.....	46
CONTRÔLE ÉLECTRONIQUE .....	49
CUISSON AVEC UN FOUR À CONVECTION .....	50
MODES DU FOUR .....	51
FONCTION DE CUISSON.....	52
CONSEILS RAPIDES .....	54
RÉGLAGE MANUEL DU FONCTIONNEMENT DU FOUR.....	55
CONSEILS ET TECHNIQUES DE CONVECTION EUROPÉENNE .....	57
CONSEILS ET TECHNIQUE DE CUISSON.....	59
CONSEILS ET TECHNIQUES POUR LE GRIL À CONVECTION.....	61
CONSEILS ET TECHNIQUES DE GRIL .....	62
CONSEILS ET TECHNIQUES DE RÔTISSAGE À CONVECTION.....	63
ENTRETIEN ET NETTOYAGE DU FOUR .....	66
RÉGLAGE DU MODE D'AUTO-NETTOYAGE.....	68
ENTRETIEN GÉNÉRAL DU FOUR .....	69
FINIS DU FOUR / MÉTHODES DE NETTOYAGE .....	70
ENTRETIEN À FAIRE SOI-MÊME RETRAIT DE LA PORTE DU FOUR .....	71
REPLACE MENT D'UNE AMPOULE DU FOUR .....	72
DÉPANNAGE.....	74
GARANTIE LIMITÉE.....	77

## DOCUMENTS À CONSERVER

Merci d'avoir acheté ce produit Haier.  
Ce manuel d'utilisation vous aidera  
à obtenir la meilleure performance  
possible de votre nouvelle four.

Pour référence ultérieure, inscrire le  
numéro de plaque signalétique situé  
sur le cadre à l'intérieur du four, et la  
date d'achat.

Pour faciliter l'obtention d'un service  
sous garantie, agrafe la preuve de la  
date d'achat à ce manuel.

---

Numéro de modèle

---

Numéro de série

---

Date d'achat



### **Votre sécurité et celle des autres est très importante.**

Nous donnons de nombreux messages de sécurité importants dans ce manuel et sur votre appareil ménager. Assurez-vous de toujours lire tous les messages de sécurité et de vous y conformer.



Voici le symbole d'alerte de sécurité.

Ce symbole d'alerte de sécurité vous signale les dangers potentiels de décès et de blessures graves à vous et à d'autres. Tous les messages de sécurité suivront le symbole d'alerte de sécurité et le mot "DANGER," "AVERTISSEMENT" ou "ATTENTION."

Ces mots signifient :

**! DANGER**

Une situation de danger imminent. Vous courez le risque d'un décès ou de blessures graves si vous ne suivez pas immédiatement les instructions.

**! AVERTISSEMENT**

Une situation potentiellement dangereuse qui, si vous ne l'évitez pas, peut provoquer la mort ou des blessures graves.

**! ATTENTION**

Une situation potentiellement dangereuse qui, si vous ne l'évitez pas, peut entraîner des blessures légères à modérées.

Tous les messages de sécurité vous diront quel est le danger potentiel et vous disent comment réduire le risque de blessure et ce qui peut se produire en cas de non-respect des instructions.

## **⚠ AVERTISSEMENT**

La loi de l'eau potable et des substances toxiques de la Californie oblige le Gouverneur de Californie à publier une liste des substances chimiques connues dans l'état de Californie comme causes de cancer, malformations congénitales ou sources d'autres risques pour la reproduction et oblige les sociétés à prévenir du danger lié à une exposition potentielle à ces substances.

Ce produit contient une substance chimique qui figure sur la liste des substances dangereuses en Californie et est connue pour être la cause de cancer, de malformations congénitales ou source d'autres risques pour la reproduction. Cet appareil électroménager peut provoquer une faible exposition à certaines de ces substances, y compris le benzène, le formaldéhyde, le monoxyde de carbone, le toluène et la suie.

## **AVERTISSEMENTS POUR L'INSTALLATION DE ELECTRIQUE**

### **⚠ AVERTISSEMENT**



#### **Risque de choc électrique**

L'installation et les opérations de dépannage doivent être effectuées par un installateur qualifié ou par une agence de réparation.

L'alimentation des modèles peut être de 240 V ou de 208 V.

Toujours déconnecter la source de courant avant toute intervention sur l'appareil.

L'appareil doit être correctement relié à la terre.

Le non-respect de ces instructions pourrait causer un décès ou une blessure grave.

# IMPORTANTES INSTRUCTIONS DE SÉCURITÉ

**AVERTISSEMENT :** Afin de réduire le risque d'incendie, de choc électrique, de blessures corporelles ou de dommage lors de l'utilisation du four, il convient d'observer certaines précautions fondamentales, notamment :

## Installation correcte

- Cet appareil doit être correctement installé et relié à la terre par un technicien qualifié. Brancher sur une prise correctement reliée à la terre uniquement. Voir les "Instructions de mise à la terre" incluses dans les instructions d'installation.
- Seul un technicien qualifié est habilité à effectuer une intervention d'entretien sur cet appareil. Contacter le centre de service agréé le plus proche pour examen, réparation ou réglage.
- Ne pas réparer ou remplacer une pièce quelconque du four sans recommandation spécifique. Confier les interventions d'entretien à un réparateur agréé.
- Ne pas utiliser cet appareil s'il ne fonctionne pas correctement ou s'il a été endommagé, jusqu'à ce qu'il soit examiné par un réparateur agréé.
- N'installer et ne choisir l'emplacement de cet appareil qu'en conformité avec les instructions d'installation.
- Utiliser cet appareil uniquement selon les modalités d'utilisation prévues par le fabricant. Pour toute question, contacter le fabricant.

- Ne pas couvrir ou obstruer toute ouverture de cet appareil.
- Utiliser cet appareil uniquement dans le but auquel il est destiné et tel que décrit dans le présent manuel d'utilisation. Ne pas utiliser de produits chimiques corrosifs ou dégageant des vapeurs, ou encore des produits non alimentaires dans cet appareil. Ce type de four est spécialement conçu pour chauffer ou cuire des aliments. Il n'est pas conçu pour une utilisation à des fins industrielles ou en laboratoire. L'utilisation de produits chimiques corrosifs durant le chauffage ou le nettoyage endommagera l'appareil.

## Pour réduire le risque d'incendie dans la cavité du four :

- Ne pas remiser de matériaux inflammables dans le four ou à proximité.
- Ne pas utiliser d'eau sur un incendie de graisse. Éteindre le feu ou utiliser un extincteur polyvalent avec agent chimique sec ou moussoux.
- Il est fortement recommandé de prévoir un extincteur à portée de main et mis en évidence près de tout appareil de cuisson.

# IMPORTANTES INSTRUCTIONS DE SÉCURITÉ

- Ne pas faire cuire les aliments excessivement. Surveiller attentivement le four si du papier, du plastique ou d'autres matériaux combustibles sont placés à l'intérieur du four.
- Ne pas utiliser la cavité du four pour remisage. Ne pas laisser de produits en papier, d'ustensiles de cuisson ou d'aliments dans la cavité lorsque le four n'est pas utilisé.
- Si des matériaux à l'intérieur du four s'enflammaient, garder la porte du four fermée. Éteindre le four et déconnecter le circuit dans le boîtier de disjoncteurs.
- S'assurer que le ventilateur est en marche chaque fois que le four est en cours d'utilisation. Si le ventilateur ne fonctionne pas, ne pas utiliser le four. Appeler un centre de service agréé.
- Ne jamais utiliser le four pour réchauffer ou chauffer une pièce. Cela peut endommager les composants du four.
- Ne pas entreposer des objets pouvant intéresser les enfants au-dessus du four. Si les enfants grimpaient sur l'appareil pour attraper ces objets, ils pourraient se blesser gravement.
- Pour votre sécurité personnelle, porter des vêtements appropriés. Ne jamais porter de vêtements non ajustés ou avec des manches pendantes lors de l'utilisation de l'appareil.
- Attacher les cheveux longs de manière à ce qu'ils ne pendent pas.
- Ne pas toucher les éléments chauffants ou les surfaces intérieures du four.
- Les éléments chauffants peuvent être chauds bien qu'ils soient de couleur sombre. Les surfaces intérieures du four peuvent devenir suffisamment chaudes pour provoquer des brûlures.
- Pendant et après l'utilisation, ne pas toucher ou laisser des vêtements ou d'autres matériaux inflammables en contact avec les éléments chauffants ou les surfaces intérieures tant qu'elles n'ont pas suffisamment refroidi.

## Sécurité personnelle

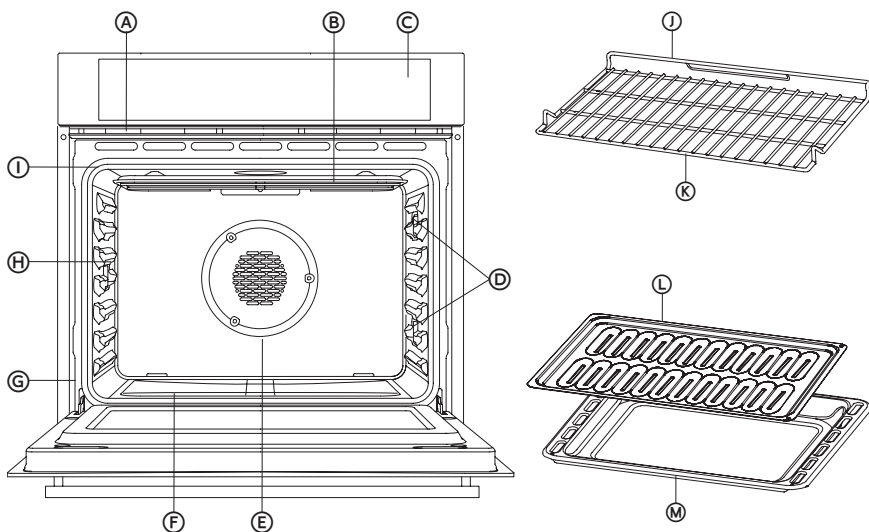
- Ne pas laisser les enfants utiliser cet appareil à moins qu'ils ne se trouvent sous la stricte surveillance d'un adulte. Les enfants et les animaux de compagnie ne doivent pas être laissés seuls ou sans surveillance dans la pièce où l'appareil est utilisé. Ne pas laisser les enfants s'asseoir ou se tenir debout sur une partie quelconque du four.
- L'encadrement supérieur et latéral de la porte du four peut devenir suffisamment chaud pour provoquer des brûlures.

# IMPORTANTES INSTRUCTIONS DE SÉCURITÉ

- Ouvrir la porte avec précaution. Entrouvrir la porte pour laisser s'échapper l'air chaud ou la vapeur avant de retirer ou de replacer des aliments.
  - Ne pas chauffer des contenants alimentaires fermés. La pression accumulée pourrait faire éclater le contenant et provoquer des blessures.
  - Toujours placer les grilles du four à la position souhaitée lorsque le four est froid. Si l'on doit déplacer une grille pendant que le four est chaud, ne pas laisser la mitaine de four entrer en contact avec les éléments chauffants brûlants.
  - Utiliser uniquement des mitaines de four sèches. Utiliser des mitaines de four humides ou trempées pour manipuler des ustensiles de cuisson chauds peut entraîner des brûlures dues à la vapeur. Ne pas laisser les mitaines toucher des éléments chauffants brûlants. Ne pas utiliser un chiffon ou tout autre tissu encombrant.
  - Confirmer que la porte se verrouille et ne s'ouvrira pas une fois que les deux sélecteurs sont en position CLEAN (nettoyage) et que l'icône de verrouillage de la porte s'affiche. Si la porte ne se verrouille pas, tourner le sélecteur de mode de cuisson sur OFF (éteint) et ne pas lancer le programme d'autonettoyage. Effectuer un appel de service.
  - Ne pas nettoyer le joint de la porte. Celui-ci est essentiel pour une bonne étanchéité. Des précautions devraient être prises pour ne pas frotter, endommager, déplacer ou retirer le joint de la porte.
  - Ne pas utiliser de nettoyant à four commercial ou tout type de revêtement de protection intérieur de four dans le four ou autour de ses composants.
  - Nettoyer uniquement les composants du four énumérés dans ce manuel.
  - Les autres surfaces de l'appareil peuvent devenir suffisamment chaudes pour entraîner des brûlures - notamment (identification des surfaces - par exemple les ouvertures d'évacuation du four et les surfaces adjacentes à ces ouvertures, les portes de four et les hublots des portes de four).
- Sécurité du four en mode d'autonettoyage :**
- Avant de lancer le programme d'autonettoyage du four, retirer la lèchefrite, les grilles du four (uniquement si elles ne sont pas en porcelaine), les autres ustensiles et l'excès de renversements mous.

**LIRE ET CONSERVER CES INSTRUCTIONS**

## CARACTÉRISTIQUES DE VOTRE FOUR



- Ⓐ Ouvertures d'aération
- Ⓑ Élément de gril
- Ⓒ Panneau de contrôle
- Ⓓ Ampoule halogène
- Ⓔ Ventilateurs à convection et éléments
- Ⓕ Élément de cuisson (non visible)
- Ⓖ Plaque de modèle et série n°
- Ⓗ Sonde pour viande (si présent)
- Ⓘ Joint de porte
- Ⓙ Grille du four arrière
- Ⓚ Grille du four devant
- Ⓛ Grille de plat du gril
- Ⓜ Plat du gril

## INFORMATION GÉNÉRALE SUR LE FOUR

### **⚠ AVERTISSEMENT**



#### **Risque d'incendie**

Retirez tout le matériel d'emballage et les matières étrangères du four. Tout matériel de ce type laissé à l'intérieur peut fondre ou brûler lorsque l'appareil est utilisé.

Le non-respect de cette instruction peut causer un décès ou un incendie.

#### **CONNEXION 240 V VS. 208 V**

La plupart des fours sont branchés dans une prise de 240 V. Si le four est alimenté par un courant de 208 V, la durée de préchauffage pourrait être légèrement plus longue que s'il est branché à une prise de 240 V. Ce four est conçu pour assurer la même durée de nettoyage s'il est branché à une installation de 208 V.

#### **CUISSON À HAUTE ALTITUDE**

Lors de la cuisson à haute altitude, les temps de cuisson peuvent varier des temps de cuisson fournis dans les recettes.

#### **PANNE DE COURANT**

Après le retour de courant, l'horloge du four affichera 12.00.

#### **CODES DE D'ERREUR E**

Si des codes d'erreur E sont affichés lorsque le régulateur électronique détecte un problème dans le four ou dans les composants électroniques.

#### **BRUITS DE GRINCEMENT**

Il se peut qu'un bruit provienne de l'appareil lors de l'utilisation du four en raison de la chaleur extrême qui est produite, mais de tels grincements sont normaux et ne doivent pas être considérés comme une défectuosité.

#### **SYMBOLES OU CHIFFRES CLIGNOTANTS**

Indique une action incomplète qui est en cours (verrouillage de la porte, préchauffage, etc.).

#### **BIPS**

Signale que la température programmée a été atteinte. Les bips indiquent également la fin d'une fonction ou une défectuosité du four.

## VENTILATEUR DE CONVECTION

Le ventilateur de convection fonctionne durant tous les modes de convection et de déshydratation.

## VENTILATEUR DE REFROIDISSEMENT

S'active durant le mode d'auto-nettoyage ou de cuisson pour refroidir les composants internes et les surfaces externes de la porte. L'air est évacué par l'évent situé au-dessus de la porte du four. Le ventilateur de refroidissement continue de fonctionner jusqu'à ce que les composants soient suffisamment refroidis. Ce ventilateur fonctionne à double vitesse (ou trs/min) en mode d'auto-nettoyage et quand la température des composants internes devient élevée.

## UTILISATION DE L'ÉCLAIRAGE DU FOUR

- Lorsque le four est utilisé, l'éclairage du four s'allume automatiquement lorsqu'un mode est activé. L'éclairage du four s'éteint automatiquement à la fin et le mode du four est annulé.
- L'éclairage ne fonctionne pas en mode d'auto-nettoyage.
- Appuyez sur la touche [LIGHT] pour activer l'éclairage du four.

## FAHRENHEIT ET CELSIUS

La température est pré-réglée en Fahrenheit, toutefois elle peut être changée en Celsius.

## CONSEILS GÉNÉRAUX POUR LE FOUR

### RÉGLAGES PAR DÉFAUT

Les modes de cuisson sélectionnent automatiquement une température appropriée. Ils peuvent être modifiés lorsqu'une température différente est nécessaire.

### CONDENSATION ET TEMPÉRATURE DU FOUR

- Il est normal qu'une certaine quantité d'humidité s'évapore des aliments pendant la cuisson. Cette quantité dépend de la teneur en humidité des aliments. Cette humidité peut se condenser sur n'importe quelle surface plus froide que l'intérieur du four, telle que le panneau de commande.
- Votre nouveau four comporte un détecteur de température électronique qui permet de maintenir une température précise. Votre ancien four avait peut-être un thermostat mécanique qui, au fil du temps, s'est désajusté pour faire chauffer le four à une température plus élevée. Il est normal d'avoir besoin d'ajuster la température de vos recettes préférées lors de la cuisson dans nouveau four.

### CONSEILS D'UTILISATION

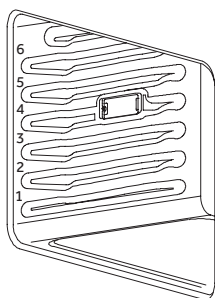
- Utilisez les tableaux d'aide-mémoire à la cuisson comme guide.
- Ne déposez pas de plateaux ou d'articles lourds sur la porte ouverte du four.
- Utilisez l'éclairage interne du four pour voir la nourriture à travers la fenêtre de la porte du four plutôt que d'ouvrir la porte fréquemment.



## USTENSILES

- Les plats de cuisson en verre absorbent la chaleur. Réduisez la température du four de 15 °C (25 °F) lors de la cuisson dans un plat en verre.
- Utilisez des casseroles qui vous permettront d'obtenir le brunissage désiré. Le type de fini de la casserole vous aidera à déterminer le niveau de brunissage que vous obtiendrez.
- Le métal lisse et brillant et les casseroles légères antiadhésives anodisés reflètent de la chaleur, entraînant un brunissage léger et plus délicat. Les gâteaux et les biscuits nécessitent ce type d'article.
- Les casseroles foncées, lourdes ou mates absorberont la chaleur permettant d'obtenir des croûtes bien dorées et croustillantes. Utilisez ce type d'assiettes pour les tartes.
- Pour le brunissage et les croûtes croustillantes, utilisez des articles en métal mat, foncé ou anodisé ou des articles en verre. Les casseroles de cuisson isolées peuvent augmenter le temps de cuisson.
- Ne faites pas cuire d'aliments avec une lèche-frite vide dans le four, puisque ceci pourrait changer le rendement de cuisson. Rangez la lèche-frite à l'extérieur du four.

## GRILLES DU FOUR



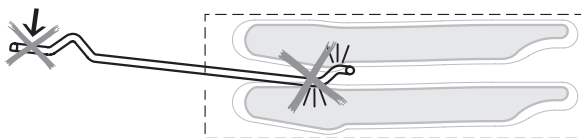
- Le four comporte des guides de grilles à six niveaux comme indiqué dans l'illustration.
- Les positions des grilles sont numérotées du guide de la grille de fond (n° 1) au guide supérieur (n° 6).
- Consultez l'aide-mémoire pour les meilleures positions de grille à utiliser lors de la cuisson.
- Chaque guide de grilles est formé de deux supports intégrés dans les parois sur chaque côté de la cavité du four.
- Veillez à toujours placer les grilles du four avant de démarrer ce dernier. Assurez-vous que les grilles sont au niveau lorsqu'elles sont en position.

Reportez-vous à l'illustration de Caractéristiques de votre four pour savoir de quel côté se trouvent l'avant et le dessus de la grille.

- Les grilles sont conçues pour s'arrêter lorsqu'elles sont tirées vers l'avant jusqu'à leur limite.

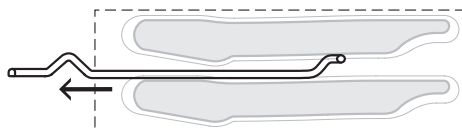
**IMPORTANT :** N'utilisez jamais de papier d'aluminium pour couvrir les grilles ou les parois du four. Le papier d'aluminium peut endommager le revêtement du four si la chaleur est emprisonnée sous le papier.

**IMPORTANT :** Ne forcez pas la grille pour la retirer afin de ne pas endommager l'émail du four.

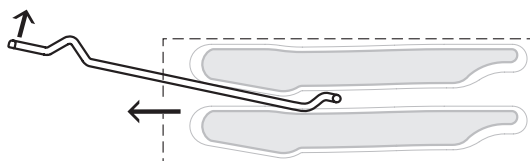


**Pour enlever les grilles du four:**

1. Tirez-les vers l'avant

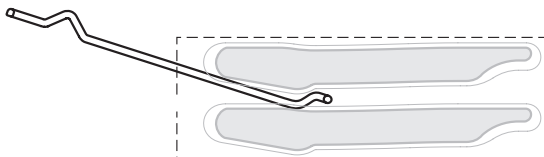


2. Soulevez-les à partir de l'avant et ensuite enlevez-les

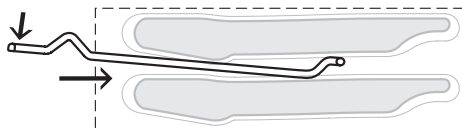


**Pour remplacer une grille:**

1. Placez l'arrière de la grille entre les guides de niveau de grille.



2. En soulevant le haut de la grille, faites-la glisser jusqu'au fond en baissant l'avant



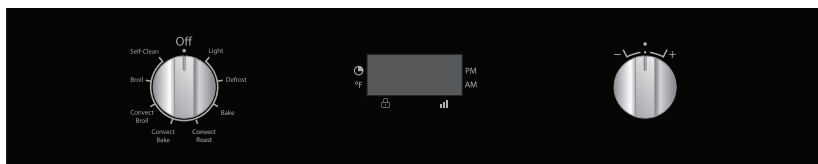
# CONTRÔLE ÉLECTRONIQUE

## DESCRIPTION DU PANNEAU DE COMMANDE

Le panneau de commande du four se compose d'un affichage et de deux boutons:

- Affichage temps et température.
- Bouton temps et température (Poussez et / ou Tourner)
- Bouton Mode (fonctions du four)

Le bouton Poussez & Tourner sert principalement à la mise au point de l'horloge et de la température et à la programmation des fonctions de temps automatiques. Sélectionner le paramètre souhaité en appuyant sur le bouton.



## L'HORLOGE DU FOUR

**IMPORTANT :** Suite à l'installation initiale et aux pannes de courant, l'heure du jour (12:00 a.m.) clignote pour indiquer qu'il faut régler l'heure correcte du jour. Le four ne fonctionnera pas tant que l'heure n'aura pas été réglée.

## RÉGLAGE DE L'HEURE

Enfoncer le bouton rotatif Time/Temp (durée/température) pour alterner entre l'heure et la minuterie, et pour afficher les heures réglées.

1. Tourner le bouton rotatif Oven Mode (mode du four) sur la position OFF (arrêt).
2. Tourner le bouton rotatif -/+ sur la gauche ou sur la droite, l'affichage de l'heure se met à clignoter.

**REMARQUE :** Les heures et les minutes se règlent séparément.


3. Tourner une nouvelle fois le bouton rotatif jusqu'à ce que les chiffres des heures uniquement se mettent à clignoter.
4. Régler les chiffres clignotants des heures en tournant le bouton rotatif -/+ sur la gauche ou sur la droite.
5. Enfoncer le bouton rotatif -/+ une fois pour régler les heures, et les chiffres des minutes se mettent à clignoter.
6. Régler les chiffres clignotants des minutes en tournant le bouton rotatif -/+ sur la gauche ou sur la droite. Après quelques secondes, les chiffres des heures et des minutes se mettent à clignoter.
7. Attendre encore 10 secondes jusqu'à ce que la nouvelle heure du jour se stabilise. L'heure est désormais réglée.

## RÉGLAGE DE LA MINUTERIE

### REMARQUES :

- L'affichage indique l'heure (par défaut) jusqu'à ce que l'on pousse le bouton rotatif pour sélectionner la minuterie (icône-symbole de la minuterie).
- La minuterie peut être réglée pour une période allant de 0 à 240 minutes.
- La durée par défaut de la minuterie est de 30 minutes.
- La minuterie du four peut être utilisée pour minuter d'autres activités, même lorsque le four est éteint.

### Réglage de la minuterie :

1. Appuyer sur le bouton rotatif pour sélectionner la minuterie.
2. Tourner le bouton rotatif sur la droite ou sur la gauche pour sélectionner la durée.
3. Lorsque le temps s'est écoulé,  l'icône clignote et la minuterie retentit avec deux signaux sonores courts répétés toutes les 3 secondes.
4. Appuyer sur le bouton rotatif pour arrêter l'alarme de la minuterie.

## VOLUME DE L'ALARME DE LA MINUTERIE

Pour modifier le volume de l'alarme de la minuterie :

1. Tourner le bouton rotatif Oven Mode (mode du four) sur Light (éclairage).
2. Tourner le bouton rotatif Time/Temp (durée/température) sur la gauche pour sélectionner l'un des 3 niveaux de volume sonore disponibles.

**REMARQUE :** L'alarme de la minuterie émet deux signaux sonores courts toutes les 3 secondes au niveau de volume sonore sélectionné jusqu'à ce que l'alarme soit éteinte ou s'arrête automatiquement.

## MESURE UNITÉ DE TEMPÉRATURE

Pour sélectionner Fahrenheit ou Celsius, presser deux fois le bouton +/-, quand le visualiseur affiche F ou C, tourner le bouton +/- pour basculer l'unité sur mesure et presser à nouveau +/- pour valider.

## CUISSON AVEC UN FOUR À CONVECTION

Dans un four classique, la chaleur est envoyée par cycle pour maintenir une température moyenne dans la cavité du four.

Comme la température augmente et descend graduellement, des petits courants d'air sont produits dans le four. Cette convection naturelle n'est pas forcément efficace parce que les courants sont irréguliers et doux. Dans le système à convection, la chaleur est "transportée" par un ventilateur qui distribue une circulation continue d'air chaud. Le système à convection européen apporte une ingénierie de pointe et une conception avancée pour créer le meilleur four à convection. Dans les fours à convection standard, le ventilateur fait simplement circuler l'air chaud autour de la nourriture. Le système se caractérise par la combinaison d'un élément de chauffage supplémentaire autour du ventilateur à convection et le panneau d'aération qui distribue l'air chauffé sur trois dimensions : le long des côtes, en haut et tout au fond de la cavité du four. Ce système à convection européen à maintenir plus chaude la température dans toute la cavité du four.

L'air circulant aide à accélérer le processus de cuisson et cuit la nourriture plus uniformément. En contrôlant le mouvement de l'air chauffé, la cuisson à convection dore les aliments uniformément en les laissant croustillants à l'extérieur et moelleux à l'intérieur. La cuisson à convection convient mieux pour les pains et les pâtisseries ainsi que les viandes et les volailles. Les aliments soufflés comme les gâteaux des anges, les soufflés et les choux à la crème sont plus soufflés que dans un four classique. Les viandes restent juteuses et tendres alors que l'extérieur est plein de saveur est croustillant.

En utilisant un four à convection européen, la nourriture peut être cuite à plus basse température et les temps de cuisson peuvent être plus courts.

En utilisant ce mode, la température standard du four doit être plus basse de 15 °C (25 °F). Les aliments nécessitant moins de temps de cuisson, le temps de cuisson doit être vérifié légèrement plus tôt que d'habitude. Pour de meilleurs résultats, les aliments ne doivent pas être couverts, et être mis dans des récipients à bord bas pour profiter de la circulation d'air forcé. Lorsque vous utilisez le mode rôtisserie à convection, la température standard du four n'a pas besoin d'être réduite.

## AVANTAGES DE LA CUISSON PAR CONVECTION

- Cuisiner sur plusieurs niveaux en même temps est possible avec les mêmes résultats.
- Plusieurs grilles de cuisson forment un gain de temps.
- Préparation d'un repas entier en une seule fois sans transfert de saveur.
- Aucun plat de cuisson spécial requis.
- Déshydratation des herbes, des fruits et des légumes.
- Economie de temps et d'énergie.
- Les grillades par convection permettent des grillades extraordinaires avec des tranches plus épaisses.

## MODES DU FOUR

Les illustrations suivantes indiquent une vue générale de ce qui se passe dans le four avec chaque mode de cuisson. Les flèches représentent l'emplacement des sources de chaleur pendant les modes spécifiques. L'élément inférieur est dissimulé sous la sole du four.

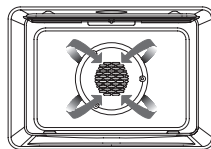
La durée maximale de fonctionnement du four est de 11 heures et 59 minutes. Lorsque cette durée s'est écoulée, "END" (fin) apparaît sur l'affichage.

- Régler la durée en tournant le bouton rotatif +/- pour ajouter plus de temps.
- Tourner le bouton rotatif Oven Mode (mode du four) pour sélectionner la fonction du four désirée.

## CONV BAKE (CUISSON À CONVECTION)

Réglage de température: de 50 °C (120 °F) à 250 °C (480 °F)  
(position pré-réglée 190 °C [375 °F])

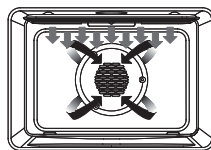
La cuisson au four à convection cuit avec la chaleur d'un élément circulaire derrière la paroi arrière du four. La chaleur circule à travers le four par un ventilateur à convection.



## CONV BROIL (GRIL À CONVECTION)

Réglage de température: de 50 °C (120 °F) à 250 °C (485 °F)  
(position pré-réglée 230 °C [445 °F])

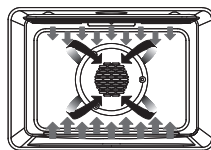
Le gril à convection combine la chaleur intense de l'élément supérieur avec une chaleur qui circule grâce au ventilateur.



## CONV ROAST (RÔTISSAGE À CONVECTION)

Réglage de température: de 50 °C (120 °F) à 250 °C (480 °F)  
(position pré-réglée 190 °C [375 °F])

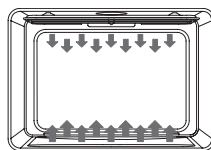
Le rôtissage à convection utilise l'élément supérieur, du milieu et le ventilateur à convection.



## BAKE (CUISSON AU FOUR)

Réglage de température: from de 50 °C (120 °F) à 250 °C  
(485 °F) (position pré-réglée 210 °C [410 °F])

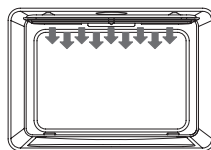
Permet de cuire au four avec de l'air chaud. Les éléments supérieur et inférieur travaillent en cycle pour maintenir la température du four.



## BROIL (GRIL)

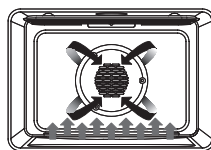
Réglage de température: de 50 °C (120 °F) à 250 °C (485 °F)  
(position pré-réglée 230 °C [445 °F])

Le gril utilise la chaleur intense émise depuis l'élément supérieur.



## CONV (DÉCONGÉLATION)

La décongélation n'utilise aucun élément chauffant, mais uniquement le ventilateur de convection pour décongeler les aliments.



## FONCTION DE CUISSON

Tourner le bouton rotatif Oven Mode (mode du four) pour sélectionner la fonction du four désirée.

Contrôle	Mode Description	Utilisé pour :
<b>OFF (éteints)</b>	Tous le modes de cuisson sont éteints (OFF) et les éléments de chauffages du four sont éteints OFF.	N/A

<b>Light (l'édairage)</b>	Seulement l'édairage est en fonction.	N/A
<b>Defrost (décongeler)</b>	Dans ce mode, uniquement la ventilateur à convection du four interne est en marche (ON), le four ne chauffe pas.	Ce mode sert à décongeler les aliments surgelés.
<b>Bake (Cuisson)</b>	Sur le mode Cuisson (Bake) les éléments de chauffage du four supérieur (haut) et inférieur (bas) sont utilisés pour chauffer l'air du four. Cependant, le ventilateur n'est pas utilisé pour faire circuler l'air.	C'est le mode traditionnel de cuisson sur une grille. Par conséquent, uniquement une grille peut être utilisée lorsque vous sélectionnez le mode Cuisson (Bake). Idéal pour les amusegueule, biscuits et les petits gâteaux.
<b>Convect Roast (Cuisson Par Convection)</b>	Le mode de Cuisson par convection (Convection Roast) utilise le chauffage du four inférieur (bas) et le ventilateur de convection à l'intérieur du four.	Idéal pour rôtir un poulet ou une dinde entière ou une pizza. Il peut aussi être utilisé pour cuisiner des amusegueule, des biscuits, et des petits gâteaux sur un niveau ou plusieurs.
<b>Convect Bake (Cuisson Par Convection)</b>	Le mode cuisson par convection (Convection Bake) utilise le troisième élément de chauffage ou le circulaire derrière la cloison de la paroi arrière du four. La chaleur circule dans le four grâce au ventilateur à convection.	Il est possible de cuire les mêmes aliments qu'avec la cuisson par convection, cuire plusieurs plats à un ou plusieurs niveaux. Donc plusieurs plats peuvent être cuits en même temps (maximum trois niveaux) et on peut préparer un repas entier (petites portions). Le mélange des saveurs est évité et un important gain d'énergie est obtenu.
<b>Convect Broil (Grill Par Convection)</b>	Le mode grill par convection (Convection Grill) combine la chaleur intense du chauffage supérieur (haut) avec la chaleur qui circule grâce au ventilateur à convection.	Idéal pour les steaks, les hamburgers, les demi-poulets ou des blancs de poulet.
<b>Broil (Grill)</b>	Le mode Grill utilise une chaleur intense émise par le chauffage supérieur (haut)	Idéal pour préparer des rôtis, des gratins, des grillades
<b>Self Clean (Auto-nettoyage)</b>	La durée standard est de 1.30 h et peut être modifiée	PYRO ou mode auto-nettoyage (self-cleaning). Ici, le four est automatiquement nettoyé en brûlant les résidus de nourriture à température élevée (environ 460°C) de 1 h à 3 h. Pendant l'autonettoyage, les fumées produites sont filtrées et rejetées ensuite dans l'air.

## CUISSON À CONVECTION

### À PROPOS DE LA CUISSON À CONVECTION

Les modes de cuisson normax (cuire, griller, etc.) utilisent de la chaleur irradiée d'un ou de plusieurs éléments pour cuire la nourriture. Les modes de cuisson à convection utilisent la chaleur des éléments et des ventilateurs situés dans la paroi arrière du four faire circuler continuellement l'air chauffé dans le four.

### AVANTAGES DE LA CUISSON À CONVECTION

- Cuisson, brunissage et croustillance uniformes.
- Les jus et les saveurs sont scellés à l'intérieur de l'aliment.
- Les aliments cuits à l'air chaud tels que les choux à la crème, les soufflés, les meringues et les pains montent davantage et sont plus légers.
- Cuisson sur plusieurs grilles.
- Ne nécessite aucun ustensile de cuisson spécial.
- Économise du temps et de l'énergie.


**N'utilisez PAS la cuisson à convection pour les viandes. Utilisez plutôt le rôtissage à convection.**

Mode	Utilisez ce mode pour	Pour de meilleurs résultats	Conseil de cuisson rapide
<b>Cuisson à convection</b>	<ul style="list-style-type: none"> <li>• De grandes quantités de nourriture répartie sur plusieurs grilles.</li> <li>• Les pâtisseries, le pain, les collations, les aliments et les amusegueules.</li> </ul>	<ul style="list-style-type: none"> <li>• Utilisez des casseroles non couvertes et peu profondes.</li> <li>• Centrez les plaques de cuisson sur la grille.</li> </ul>	<ul style="list-style-type: none"> <li>• Réduisez la température suggérée dans la recette de 15 °C (25 °F)</li> <li>• Vérifiez la cuisson des aliments plus tôt :</li> </ul> <p><b>Si la recette demande que l'on vérifie la cuisson de l'aliment</b></p> <p>1 à 15 min. vérifiez - 3 min. plus tôt            6 à 30 min. vérifiez - 5 min. plus tôt            31 min. à 1hr. vérifiez - 10 min. plus tôt</p>



<b>Gril à convection</b>	<ul style="list-style-type: none"> <li>• Les coupes de viande tendre et plus épaisse, la volaille et le poisson.</li> <li>• N'utilisez PAS ce mode de cuisson pour le brunissage des pains ou des plats en casserole.</li> </ul>	<ul style="list-style-type: none"> <li>• Les viandes doivent avoir au moins 1 po d'épaisseur.</li> </ul>	<ul style="list-style-type: none"> <li>• Pour la cuisson au gril, aucune conversion n'est nécessaire.</li> <li>• Reportez-vous au tableau aide-mémoire du gril à convection dans ce manuel pour connaître les temps de cuisson.</li> </ul>
<b>Rôtissage à convection</b>	<ul style="list-style-type: none"> <li>• De grandes coupes tendres de viandes et de la volaille telles qu'un rôti ou un poulet entier.</li> </ul>	<ul style="list-style-type: none"> <li>• Ne couvrez PAS la viande et n'utilisez pas de sacs de cuisson.</li> <li>• Reportez-vous au tableau aide-mémoire du rôtissage à convection dans ce manuel pour connaître les temps de cuisson.</li> </ul>	<ul style="list-style-type: none"> <li>• Ne changez PAS la température suggérée dans la recette.</li> </ul>

## RÉGLAGE MANUEL DU FONCTIONNEMENT DU FOUR

Tourner le bouton de mode sur la position souhaitée ; l'horloge affiche ON pendant quelques secondes. Le four peut fonctionner jusqu'à 12 heures maximum. Selon le modèle de four, les fonctions disponibles peuvent être différentes en nombre et en type. En affichage horloge, une fonction est active, le symbole  apparaît (il ne s'affiche pas dans les positions lumière).

Tourner le sélecteur Température & Temps et régler la température du four souhaitée. Le système prévoit une température préréglée (PRESET) pour chaque mode de cuisson ou une plaine gamme entre MIN. et MAX. à régler manuellement. Vérifier la valeur affichée après avoir sélectionné la température.

La température apparaît sur l'affichage de l'horloge après la pression du sélecteur Temps & Température ou bien juste après la sélection d'une nouvelle fonction.

Dès que le four démarre, le voyant de préchauffage (indiqué par les barres) dans la partie inférieure de l'affichage de l'horloge se met à clignoter ; il passe au fixe quand le préchauffage s'achève. Avec émission d'un signal sonore.

Tourner la sélecteur de mode sur la position ZÉRO (OFF) pour arrêter toute activité ; la mention OFF s'affiche quelques secondes.

# ⚠ AVERTISSEMENT

### Risque d'intoxication alimentaire

Ne pas laisser d'aliments dans un four plus d'une heure avant ou après la cuisson.

Le non-respect de cette instruction peut causer une intoxication alimentaire ou une maladie.

Après avoir sélectionné un des modes du four, le four peut être programmé pour une cuisson minutée. Le programme de cuisson minutée restera réglé même si l'on change le mode du four, à l'exception du mode Self-Clean (autonettoyage).


Les possibilités disponibles sont les suivantes :

1. Cuisson temporisée avec réglage du temps de cuisson (durée)
2. Cuisson temporisée avec réglage de la fin du temps de cuisson (heure d'arrêt)
3. Cuisson retardée avec réglage de la durée et de l'heure d'arrêt


Appuyer sur le bouton pour commuter entre la modalité durée de cuisson (temps de cuisson) et la modalité fin du temps de cuisson (heure d'arrêt). Les mots "dur" ou "End" s'affichent respectivement.


Tourner le bouton à gauche ou à droite pour éditer la valeur de la durée ou l'heure d'arrêt quand la mention correspondante est affichée :

1. Lorsque "dur" apparaît sur l'affichage, la commande affiche une durée de cuisson par défaut de 30 minutes. Tourner le bouton rotatif sur la gauche ou sur la droite pour régler la durée de cuisson souhaitée dans une fourchette de 0 à 240 minutes. L'affichage alterne entre "dur" et sa valeur pendant quelques secondes, puis affiche l'heure du jour, l'icône de la casserole et la lettre "A" pour indiquer qu'une cuisson minutée est active. L'heure de fin de cuisson est automatiquement mise à jour.
2. Lorsque le mot End (fin) est affiché, la commande affiche l'heure actuelle en tant qu'heure de fin de cuisson initiale. Pour régler l'heure de fin de cuisson désirée :
  - Tourner le bouton rotatif Time/Temp (durée/température) sur la gauche ou sur la droite et les chiffres des heures clignotent.
  - Régler les heures en tournant le bouton rotatif sur la gauche ou sur la droite.
  - Enfoncer le bouton pour alterner entre les heures et les minutes, ou attendre quelques secondes jusqu'à ce que les chiffres des minutes clignotent.
  - Régler les minutes en tournant le bouton rotatif sur la gauche ou sur la droite.
  - Attendre que la nouvelle heure de fin de cuisson s'arrête de clignoter.

L'affichage alterne entre "End" (fin) et sa valeur pendant quelques secondes, puis affiche l'heure du jour, l'icône  et la lettre "A" pour indiquer qu'une cuisson minutée est active. La durée de cuisson est automatiquement mise à jour.

3. Suivre les instructions pour régler la durée de cuisson (Numéro 1), puis enfoncez le bouton rotatif jusqu'à ce que End (fin) s'affiche. La commande indique "l'heure actuelle + la durée de cuisson" en tant qu'heure de fin de cuisson initiale. Il n'est pas possible de diminuer la durée de cuisson au-delà de cette valeur. Pour régler l'heure de fin de cuisson réelle désirée :
- Tourner le bouton rotatif +/- sur la gauche ou sur la droite et les chiffres des heures clignotent.
  - Régler les heures en tournant le bouton rotatif sur la gauche ou sur la droite.
  - Enfoncez le bouton pour alterner entre les heures et les minutes, ou attendre quelques secondes jusqu'à ce que les chiffres des minutes clignotent.
  - Régler les minutes en tournant le bouton rotatif sur la gauche ou sur la droite.
  - Attendre que la nouvelle heure de fin de cuisson s'arrête de clignoter.

L'affichage alterne entre "End" (fin) et sa valeur pendant quelques secondes, puis affiche l'heure du jour et la lettre "A" pour indiquer qu'une cuisson différée a été programmée. Lorsque l'heure de mise en marche différée arrive, le four se met en marche et fonctionne durant la durée de cuisson programmée. Le symbole  s'affiche.

À la fin de toute activité programmée, la commande éteint le four, l'alarme de la minuterie retentit (deux courts signaux sonores répétés toutes les 3 secondes), pour une durée maximum et fait clignoter les icônes  liées à la durée sur l'affichage. Enfoncez le bouton rotatif pour éteindre l'alarme de la minuterie et réinitialiser l'affichage.

Tourner le bouton rotatif Oven Mode (mode du four) sur la position OFF (arrêt) avant de réutiliser le four.

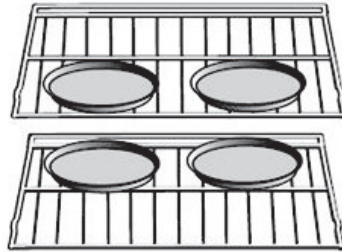
## CONSEILS ET TECHNIQUES DE CONVECTION EUROPÉENNE

Réduisez les températures de recette de cuisson de 25°F (15°C).

- Pour de meilleurs résultats, il faut cuire les aliments non couverts, dans des plats à bord bas pour mieux profiter de la circulation d'air forcé. Utilisez des plats en aluminium brillant pour de meilleurs résultats à moins que cela soit spécifié autrement.
- Le verre résistant à la chaleur et la céramique peuvent être utilisés. Réduisez encore la température de 25°F (15°C) si vous utilisez un verre résistant à la chaleur, donc une réduction totale de 50°F (30°C).
- Les plats en métal foncé peuvent être utilisés. Notez que la nourriture peut brunir plus vite lorsqu'on utilise un plat en métal foncé.
- Le nombre de grilles utilisées est déterminé par la hauteur des aliments à cuire.
- Les aliments cuits, en général, cuisent extrêmement bien avec la convection. N'essayez pas de convertir des recettes comme les crèmes anglaises, les quiches, les tartes à la citrouille, les tartes au fromage, qui ne tirent pas de bénéfice de la convection. Utilisez le mode de cuisson normal pour ces recettes.
- Plusieurs grilles de cuisson sont disponibles aux positions 1, 2 et 3. Les quatre grilles peuvent être utilisées pour des gâteaux, des biscuits et des biscuits apéritifs.

- 2 grille de cuisson : Utilisez positions 1 et 3
- 3 grille de cuisson : Utilisez positions 2, 3 et 4

- Lorsque vous cuisez plusieurs gâteaux en même temps, distribuez les plats de telle façon qu'ils ne soient pas juste l'un au-dessus de l'autre. Pour de meilleurs résultats, placez les gâteaux devant sur la grille du dessus et à l'arrière sur la grille du dessous. (Voyez le dessin à droite). Laissez 1" - 1½" (2,5 - 3 cm).



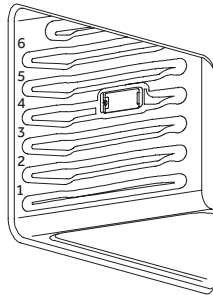
Grille 3

Grille 1

- Convertir vos propres recettes peut être facile. Choisissez une recette qui marche bien en convection.
- Réduisez la température et le temps de cuisson si nécessaire. Il peut parfois y avoir des essais et des erreurs avant d'arriver au résultat parfait. Gardez des traces de votre technique pour la prochaine préparation à convection.
- Veuillez Dépannage pour obtenir des conseils à Solution des problèmes de cuisson.

## ALIMENTS RECOMMANDÉS POUR LE MODE CONVECTION EUROPÉENNE :

Biscuits apéritifs Biscuits pour café Gâteaux, Biscuits (2 à 4 grilles) levure pains, Choux à la crème, Popovers, Casseroles et Entrées un plat, Plats à four (grille positions 1, 2, 3), Aliments levés à la levure (Soufflés, Meringue, Desserts garnis de meringue, Gâteaux ange, Gâteaux mousseline)



## CONSEILS RAPIDES ET FACILES DE RECETTE

### Convertir de la CUISSON à la CONVECTION EUROPÉENNE:

- Réduisez la température de 25°F (15 °C).
- Utilisez le même temps de cuisson que la cuisson normale si la durée est de 10 à 15 minutes.
- Les aliments avec un temps de cuisson de moins de 30 minutes doivent être vérifiés pour leur cuisson 5 minutes plus tôt quw dans les recettes standard.
- Si la nourriture cuit plus de 40-45 minutes, réduisez le temps de cuisson de 25%.

## TABLEAU DE CONVECTION EUROPÉENNE

- Réduisez la température standard des recettes de 25°F (15°C) pour la convection européenne.
- Les températures ont été réduites dans ce tableau.

ALIMENTS	POSITION DE GRILLE	TEMP. °F (°C) (FOUR PRÉCHAUFFE)	TEMPS (MIN)
<b>Gâteau</b>			
Petits gâteaux	2	325 (165)	16-20
Gâteau bundt	1	325 (165)	37-43
Gâteau des anges	1	325 (165)	25-35
<b>Tarte</b>			
2 croûtes, fraîches, 9 po	2	350-400 (175-205)	35-45
2 croûtes, fruits surgelés, 9 po	2	350 (175)	68-78
<b>Biscuit</b>			
Sucre	2	325-350 (165-175)	8-12
Brisures de chocolat	2	325-350 (165-175)	10-15
Carrés au chocolat (brownies)	2	325 (165)	25-30
<b>Pains</b>			
Pain à levure, 9x5	2	350 (175)	15-22
Petits pains à levure	2	350-375 (175-190)	10-15
Biscuits	2	375 (190)	6-10
Muffins	2	400 (205)	13-16
<b>Pizza (Cuisson à plusieurs grilles)</b>			
Surgelée	1 and 3	375-425 (190-220)	12-18
Fraîche	1 and 3	375-425 (190-220)	8-14

Dans le tableau ce-dessus, TEMPÉRATURE et TEMPS concernent le réglage 240 V. Ce tableau est un guide. Suivez la recette ou les instructions figurant sur l'emballage et réduisez la température en conséquence.

## CONSEILS ET TECHNIQUE DE CUISSON

La cuisson est une sorte de cuisson à air chaud. Les éléments supérieur et inférieur sont utilisés pour chauffer l'air mais le ventilateur n'est pas utilisé pour faire circuler la chaleur.

Suivez la recette ou les instructions pour la température de cuisson et la position de la grille. Le temps de cuisson varie avec la température des ingrédients et leur taille, leur forme et la finition du plat de cuisson.

## GUIDES GÉNÉRALES

- Pour de meilleurs résultats, cuisiner les aliments, cuisinez sur une simple grille avec au moins 1"-1½" (2,5 - 3 cm) d'espace entre les plats et les parois de four.
- N'utilisez qu'une grille lorsque vous choisissez le mode cuisson.
- Vérifiez la cuisson au temps minimum.
- Utilisez des plats en métal (avec une finition antiadhésive ou non), en verre résistant à la chaleur, en verre céramique, en poterie ou d'autres plats appropriés au four.
- Lorsque vous utilisez un plat en verre résistant à la chaleur, réduisez la température de 25°F (15°C) par rapport à la température recommandée.
- Utilisez des plats avec ou sans bord.
- Des plats en métal foncé ou avec des finitions non adhésives cuiront plus vite en brunissant plus le met. Des plats isolés ralentiront légèrement le temps de cuisson dans la plupart des cas.
- N'utilisez pas de feuille en aluminium ou de plateaux en aluminium. Une feuille est un excellent isolant de chaleur et donc la chaleur sera attrapée dessous. Cela altère la performance de cuisson et cela endommage la finition de four.
- Evitez de placer sur la porte ouverte des plats.
- Veuillez Dépannage pour obtenir des conseils à Solution des problèmes de cuisson.

## TABLEAU DE CUISSON

ALIMENTS	POSITION DE GRILLE	TEMP. °F ( °C) (FOUR PRÉCHAUFFE)	TEMPS (MIN)
<b>Gâteau</b>			
Petits gâteaux	2	350 (175)	19-22
Gâteau bundt	1	350 (175)	40-45
Gâteau des anges	1	350 (175)	35-39
<b>Tarte</b>			
2 croûtes, fraîches, 9po	2	375-400 (190-205)	45-50
2 croûtes, fruits surgelés, 9po	2	375 (190)	68-78
<b>Biscuit</b>			
Sucre	2	350-375 (175-190)	8-10
Brisures de chocolat	2	350-375 (175-190)	8-13
Carrés au chocolat (brownies)	2	350 (175)	29-36
<b>Pains</b>			
Pain à levure, 9x5	2	375 (190)	18-22
Petits pains à levure	2	375-400 (190-205)	12-15
Biscuits	2	375-400 (190-205)	7-9
Muffins	2	425 (220)	15-19

Dans le tableau ci-dessus, TEMPÉRATURE et TEMPS concernent le réglage 240 V. Ce tableau est un guide. Suivez la recette ou les instructions figurant sur l'emballage et réduisez la température en conséquence.

## CONSEILS ET TECHNIQUES POUR LE GRIL À CONVECTION

- Placez la grille dans la position appropriée avant de mettre votre four en marche.
- Utilisez le mode gril à convection avec la porte fermée.
- Ne préchauffez pour le four. (De cette façon, "PREHEAT" s'affichera automatiquement lorsque le mode gril à convection sera sélectionné, mais placez la nourriture à l'intérieur du four avant de sélectionner ce mode de cuisson.)
- Utilisez le plat de rôtissage à 2 pièces. (Le gras qui dégouline de la viande peut provoquer un incendie si vous n'utilisez pas les deux parties de la lèche-frite.)
- Tourner les viandes une fois à mi-cuisson du temps de cuisson recommandé (voir le tableau de gril à convection).

### TABLEAU DE GRIL À CONVECTION

ALIMENTS ET ÉPAISSEUR	POSITION DE LA GRILLE	TEMPÉRATURE DU FOUR °C (°F)	TEMPS CÔTÉ 1 (Min)*	TEMPS CÔTÉ 1 (Min)*
<b>Boeuf</b>				
Steak (2,5 cm [1 po] ou plus)				
Médium saignant	4	230 (450)	10-12	10-12
Médium	4	230 (450)	15-17	13-15
Bien cuit	4	230 (450)	16-18	13-15
Hamburgers (2,5 cm [1 po] ou plus)				
Médium	4	290 (550)	9-11	5-8
Bien cuit	4	290 (550)	11-13	8-10
<b>Volaille</b>				
Quart de poulet	4	230 (450)	18-20	13-15
Deux demi-poulets	3	230 (450)	25-27	15-18
Poitrines de poulet	4	230 (450)	14-16	10-14
<b>Porc</b>				
Côtelettes de porc (4 cm [1 ¼ po] ou plus)	4	230 (450)	13-15	12-14
Saucisses fraîches	4	230 (450)	4-6	3-5

Dans le tableau ci-dessus, TEMPÉRATURE et TEMPS concernent le réglage 240 V.

\*Les temps de gril et de gril à convection sont approximatifs et peuvent varier.

Les temps de cuisson sont indicatifs et dépendent également de l'épaisseur de la viande et de la température de celle-ci avant la cuisson.

## CONSEILS ET TECHNIQUES DE GRIL

- Placez la grille dans la position appropriée avant de mettre votre four en marche.
- Utilisez le gril avec la porte fermée.
- Préchauffez le four pendant 5 minutes avant son utilisation.
- Utilisez le plat de rôtissage à 2 pièces. (Le gras qui dégouline de la viande peut provoquer un incendie si vous n'utilisez pas les deux parties de la lèche-frite.)
- Tourner les viandes une fois à mi-cuisson du temps de cuisson recommandé (voir le tableau de gril).

### ALIMENTS SET ÉPAISSEUR

Food and Thickness	POSITION DE LA GRILLE	RÉGLAGE DU GRIL	TEMPS CÔTÉ 1 (Min)*	TEMPS CÔTÉ 2 (Min)*
<b>Beuf</b>				
Steak (1,9 cm à 2,5 cm [¾ à 1 po])	5	L 5	5-7	4-6
Médium saignant	5	L 5	6-8	5-7
Médium	5	L 5	8-10	7-9
Bien cuit				
Hamburgers (1,9 cm à 2,5 cm [¾ à 1 po])	4	L 5	8-13	11
Médium	4	L 5	10-15	8-12
Bien cuit				
<b>Volaille</b>				
Poitrine (avec os)	4	L 4	10-12	8-10
Cuisses (bien cuites)	4	L 3	28-30	13-15
<b>Porc</b>				
Côtelettes de porc (2,5 cm [1 po])	5	L 5	7-9	5-7
	5	L 5	5-7	3-5
Saucisses fraîches	5	L 5	4-6	3-5
Tranche de jambon (1,25 cm [½ po])				
<b>Fruits de mer</b>				
Filets de poisson (2,5 cm [1 po])	4	L 4	10-14	N/A
Beurrés				
<b>Agneau Côtelettes (2,5 cm [1 po])</b>				
Médium saignant	5	L 5	5-7	4-6
Médium	5	L 5	6-8	4-6
Bien cuit	5	L 5	7-9	5-7



<b>Pain</b>				
À l'ail, en tranches (2,5 cm [1 po])	4	L 5	2-3	N/A
À l'ail, en tranches (2,5 cm [1 po])	3	L 5	4-6	

Dans le tableau ci-dessus, RÉGLAGE DU GRIL ET TEMPS concernent le réglage 240 V.

\* Les temps de grill et de grill à convection sont approximatifs et peuvent varier.

Les temps de cuisson sont indicatifs et dépendent également de l'épaisseur de la viande et de la température de celle-ci avant la cuisson.

<b>Guide de température de service de la FSIS (Service d'inspection et sécurité des aliments USDA)</b>			
60 °C (140 °F)	Jambon précuit (pour réchauffer)	74 °C (175 °F)	Farce (seule ou dans une volaille)
63 °C (145 °F)	Boeuf, veau, agneau frais (médium saignant)		Restes, casseroles
71 °C (160 °F)	Viande hachée et mélange de viande (boeuf, porc, veau, agneau)	77 °C (170 °F)	Boeuf, veau, agneau frais (bien cuit)
	Boeuf, veau, agneau frais (médium saignant)		Poitrine de volaille
	Porc frais (médium)		Porc frais (bien cuit)
	Jambon Frais (non cuit)	82 °C (180 °F)	Poulet et dinde (entier)
Plats aux oeufs	Volaille (cuisses, ailes)		
74 °C (165 °F)	Viande hachée et mélange de viande (dinde, poulet)		Canard et oie

**REMARQUE :** Oeufs (seuls, non dans une recette) - cuire jusqu'à ce que le jaune et le blanc soient fermes.

## CONSEILS ET TECHNIQUES DE RÔTISSAGE À CONVECTION

- Ne préchauffez pas lors du rôtissage à convection. (De cette façon, "PREHEAT" s'affichera automatiquement lorsque le mode rôtissage à convection sera sélectionné, mais placez la nourriture à l'intérieur du four avant de sélectionner ce mode de cuisson)
- Effectuez le rôtissage dans un plat peu profond et non couvert.
- Lorsque vous effectuez le rôtissage de poulets entiers ou de dindes, repliez les ailes et attachez sans serrer les pattes avec une ficelle de cuisine
- Utilisez lèche-frite à 2 pièces pour les rôtissages non couverts. (Le gras qui dégouline de la viande peut provoquer un incendie si vous n'utilisez pas les deux parties de la lèche-frite.)

# ⚠ AVERTISSEMENT



## Risque de brûlures

Utiliser des mitaines de four pour retirer la sonde thermométrique.

Ne pas toucher l'élément du gril.

Le non-respect de ces instructions peut causer des brûlures.

- Utilisez la sonde thermique ou un thermomètre à viande pour déterminer la cuisson en vérifiant la température interne (consultez le tableau de rôtissage à convection).
- Vérifiez de nouveau la température de la viande/volaille en insérant le thermomètre à viande dans une autre position.
- Les grosses volailles peuvent avoir besoin d'être recouvertes d'une feuille durant une portion de la cuisson pour empêcher la surcuisson.
- La température interne sécuritaire minimale pour la farce de la volaille est de 74° C (165° F).
- Après avoir retiré l'aliment du four, couvrez sans serrer avec une feuille d'aluminium pendant 10 à 15 minutes avant le découpage si nécessaire afin d'augmenter la température de l'aliment de 3° à 6° C (5° à 10° F).
- Les conseils pour résoudre les problèmes de cuisson au four et de rôtissage se trouvent.

## CONSEILS DE RECETTES FACILES ET RAPIDES

### Conversion de la CUISSON standard au RÔTISSAGE À CONVECTION:

- Les températures ne doivent pas être diminuées.
- Les rôtis, les gros morceaux de viande et de volaille prennent généralement de 10 à 20% moins de temps. Vérifiez la cuisson interne plus tôt.
- Les casseroles ou le boeuf braisé qui sont cuits couverts cuiront dans environ le même temps lors du RÔTISSAGE À CONVECTION.

## TABLEAU DE RÔTISSAGE À CONVECTION

VIANDES	POIDS lb (kg)	POSITION DE LA GRILLE	TEMP. FOUR °C (°F)	TEMPS DE RÔTISSAGE (Min / lb)	TEMP. INTERNE °C (°F)
<b>Boeuf</b>					
Côte de boeuf	4-6 (2-3)	2	165 (325)	18-22  20-25	63 (145) mi- saignant 71 (160) médium
Rosbif de faux-filet (sans os)	4-6 (2-3)	2	165 (325)	18-22  20-25	63 (145) mi- saignant 71 (160) médium
Croupe, filet, pointe de surlonge (sans os)	3-6 (1,5-3)	2	165 (325)	18-22  20-25	63 (145) mi- saignant 71 (160) médium
Rôti de filet	2-3 (1-1,5)	2	220 (425)	15-20	63 (145) mi- saignant
<b>Porc</b>					
Longe de porc (sans os ou avec os)	5-8 (2,5-4)	2	175 (350)	18-22	71 (160) médium
Épaule	3-6 (1,5-3)	2	175 (350)	20-25	71 (160) médium
<b>Volaille</b>					
Poulet entier, non farci	3-4 (1,5-2)	2	190 (375)	20-23	82 (180)
Dinde non farci	12-15 (6-7,5)	1	165 (325)	10-14	82 (180)
Dinde non farci	16-20 (8-10)	1	165 (325)	9-11	82 (180)
Turkey, not stuffed	21-25 (10,5- 12,5)	1	165 (325)	6-10	82 (180)
Poitrine	3-8 (1,5-4)	1	165 (325)	15-20	77 (170)
Poulet de Cournouailles	1 - 1½ (0,5-0,75)	2	175 (350)	45-75 total	82 (180)
<b>Agneau</b>					
Demi-gigot	3-4 (1,5-2)	2	165 (325)	20-27  25-32	71 (160) médium 77 (170) bien cuit
Gigot entier	6-8 (3-4)	1	165 (325)	20-27  25-32	71 (160) médium 77 (170) bien cuit

Dans le tableau ci-dessus, TEMPÉRATURE et TEMPS DE RÔTISSAGE concernent le réglage 240 V.

Les temps de cuisson sont indiqués et ils dépendent également de l'épaisseur de la viande et de la température de départ de celle-ci avant la cuisson.

### AUTO-NETTOYAGE DU FOUR

# ⚠ AVERTISSEMENT



#### Risque de brûlures

Ne pas toucher le four au cours du programme d'autonettoyage.

Ne pas laisser les enfants s'approcher du four au cours du programme d'autonettoyage.

Le non-respect de ces instructions peut causer des brûlures.

Ce four offre une onction autonettoyante pyrolytique qui élimine le récurage manuel long et ardu de l'intérieur du four. Pendant l'auto nettoyage, le four utilise une température très élevée (approx. 460° C / 860° F) afin de brûler les résidus d'aliment et la graisse.

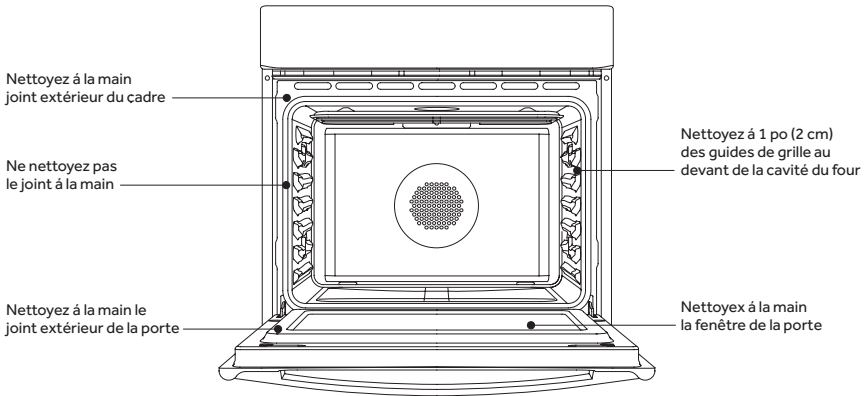
- Il est courant d'apercevoir de la fumée et/ou des flammes occasionnelles pendant le cycle d'auto-nettoyage, selon le contenu et la quantité de saleté restant dans le four. Si une flamme persiste, éteignez le four et laissez-le se refroidir avant d'ouvrir la porte essuyer les résidus en surplus.
- Le loquet de la porte est automatiquement active après la sélection de l'auto-nettoyage. Le symbole de verrouillage de la porte va s'afficher. Cela assure que la porte ne peut pas être ouverte lorsque le four est en auto-nettoyage. L'icône de verrouillage apparaîtra dans l'affichage. Ceci assure que la porte ne peut être ouverte pendant que l'intérieur du four se trouve à des températures de nettoyage.
- L'éclairage du four ne fonctionne pas pendant ce mode.
- Pendant l'auto-nettoyage, la cuisine doit être bien aérée pour éliminer les odeurs associées à l'auto-nettoyage. Les odeurs seront moindres avec l'utilisation.
- La durée préprogrammée du nettoyage est de 1h:30.
- Le mode s'arrête automatiquement à la fin des heures de nettoyage.
- Lorsque la température du four descend à une température plus sûre, le verrouillage automatique de la porte se déverrouille et la porte peut être ouverte.

# PRÉPARATION DU FOUR POUR L'AUTO-NETTOYAGE

1. Enlevez tous les ustensiles et les plats.
2. Enlevez les grilles de four qui ne sont pas en porcelaine

**IMPORTANT:** Si des grilles chromées sont laissées dans le four pendant le cycle d'auto-nettoyage, elles perdront leur fini lustré de manière permanente et prendront un fini mat obscur. Pour un nettoyage adéquat, consultez le tableau de nettoyage.

3. Nettoyez tout résidu mou et toute graisse à l'aide d'essuie-tout. Un excès de graisse entraînera des flammes et de la fumée à l'intérieur du four pendant l'auto-nettoyage.
4. Revoyez l'illustration ci-dessous. Certaines parties du four doivent être nettoyées à la main avant le début du cycle. Elles ne chauffent pas suffisamment pendant le cycle de nettoyage pour brûler. Utilisez une éponge savonneuse ou en plastique ou un tampon de détergent de S.O.S.<sup>®</sup>. Nettoyez à la main la bordure de la porte du four, le cadre avant du four et jusqu'à 2-3 cm (1½ po) à l'intérieur du cadre avec du détergent et de l'eau chaude. Ne frottez pas le joint du four. Nettoyez la fenêtre de la porte du four à la main. Rincez complètement toutes les zones, puis séchez-les.
5. Assurez-vous que l'éclairage intérieur du four est éteint et que les ampoules ainsi que les couvercles des ampoules sont en place.



## RÉGLAGE DU MODE D'AUTO-NETTOYAGE

Avant d'utiliser le mode d'auto-nettoyage, veuillez soigneusement lire la page sur l'entretien et le nettoyage du four et suivre préalablement les instructions de préparation du four avant l'auto-nettoyage.

### AUTO-NETTOYAGE

Tourner le bouton de mode sur la position correspondante puis appuyer sur le bouton +/- pour mettre en route un cycle de nettoyage.

La durée d'autonettoyage du four peut être réglée à l'aide des instructions pour la cuisson minutée afin de différer le programme d'autonettoyage.

La durée de nettoyage maximum autorisée est de 3 heures et la durée minimum est de 1 heure. La durée par défaut est de 1 h 30, l'horloge affiche P1:30. À la fin de l'activité d'autonettoyage, l'affichage indique un P--- stable et un A clignotant. Les icônes vont disparaître de l'affichage lorsque le sélecteur de mode est tourné sur la position OFF (arrêt). La porte reste verrouillée jusqu'à ce que la température du four descende en-deçà du seuil de sécurité, à ce moment-là la commande déverrouille la porte.

Le ventilateur de refroidissement se met en marche dès que l'autonettoyage est sélectionné et sa vitesse augmente lorsque les composants internes chauffent. La température du four est réglée automatiquement sur 460 °F (238 °C) pour nettoyer parfaitement la cavité.



La commande verrouille également la porte immédiatement pour votre sécurité car la température du four va devenir extrêmement chaude. La DEL de l'icône de verrouillage indique le statut du mécanisme de loquet à tout moment :

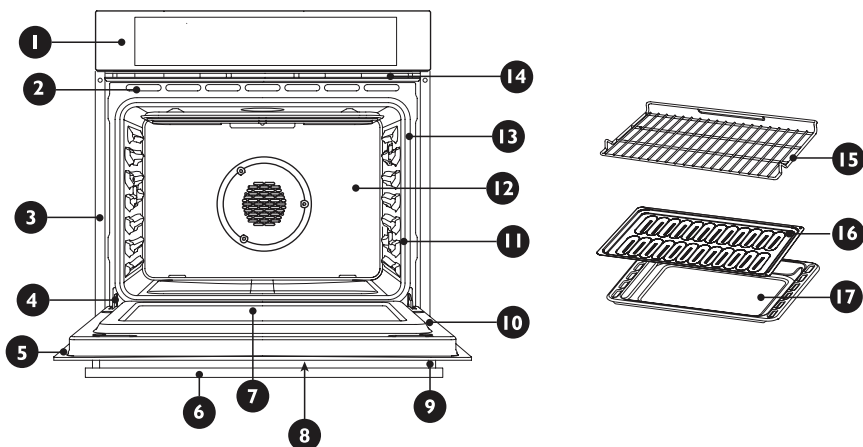
- Porte déverrouillée, DEL de l'icône de verrouillage éteinte.
- Porte verrouillée, DEL de l'icône de verrouillage toujours allumée.
- Loquet en mouvement, transition en cours, DEL de l'icône de verrouillage clignotante.

Pour réutiliser le four après un autonettoyage, tourner le bouton rotatif Oven Mode (mode du four) sur la position OFF (arrêt).

# ENTRETIEN GÉNÉRAL DU FOUR

## UTILISATION DU TABLEAU DE NETTOYAGE

1. Repérez le numéro de la pièce à nettoyer dans l'illustration de cette page.
2. Trouvez le nom de la pièce dans le tableau de nettoyage.
3. Faites concorder le chiffre avec la méthode de nettoyage de la page suivante.



## TABLEAU DE NETTOYAGE DU FOUR

Pièce		Méthode de nettoyage	Pièce		Méthode de nettoyage
		Four en acier inoxydable			Four en acier inoxydable
1	Tableau de commande	C-G	10	Porte du four – Intérieur	E
2	Ouvertures de refroidissement de la porte	E	11	Cadre avant du four	E
3	Baguette de protection	D	12	Cavité du four	E
4	Garniture inférieure	D	13	Joint de porte	B
5	Cadre de la porte	E	14	Ouvertures de refroidissement de four	D
6	Poignée de la porte	G	15	Grille du four	A

7	Intérieur de la fenêtre de la porte	F	16	Support à lèche-frite	E
8	Devant de la porte	C&G	17	Lèche-frite	E
9	Capuchons d'extrémités	D			

Pour la méthode de nettoyage, consultez la page suivante

## FINIS DU FOUR / MÉTHODES DE NETTOYAGE

Le four entier peut être nettoyé de façon sûre avec une éponge savonneuse, puis rincé, et séché. Si des résidus excédentaires restent, suivez les méthodes de nettoyage ci-dessous.

- Utilisez toujours le chiffon le plus doux possible.
- Frottez les finis en métal dans la direction du grain.
- Utilisez des chiffons, des éponges ou des tissus en papier doux et propres.
- Rincez le tout avec un minimum d'eau pour qu'elle ne coule pas dans les fentes de la porte.
- Essayez pour éviter les traces d'eau.

Les nettoyeurs dans la liste ci-dessous indiquent les types de produits à utiliser qu'à titre indicatif. Utilisez tous les produits selon les indications de l'emballage.

Pièce	Méthode de nettoyage
<b>A</b> Fini chromé	Lavez avec de l'eau chaude savonneuse. Rincez et séchez soigneusement. Ou, frottez légèrement avec de Soft Scrub®, Bon-Ami®, Comet®, Ajax®, Brillo®, ou les tampons S.O.S.®. Les nettoyeurs Easy Off® ou Dow aven Cleaners® (formule four froid) peuvent être utilisés, mais ils peuvent noircir ou décolorer le fini chromé. Les grilles peuvent être nettoyées dans le four pendant l'auto-nettoyage. Cependant, elles vont perdre leur brillant et devenir grises de façon permanente.
<b>B</b> Tressage en fibre de verre	NE NETTOYEZ PAS LE JOINT A LA MAIN.
<b>C</b> Verre	Vaporisez du Windex® ou du Glass Plus® d'abord sur le chiffon, ensuite essuyez pour nettoyer. Utilisez du Fantastik® ou du Formula 409® pour enlever les éclaboussures de graisse.
<b>D</b> Partie peinte	Nettoyez avec une eau savonneuse ou appliquez du Fantastik® ou du Formula 409® d'abord sur une éponge propre ou sur des feuilles en papier et essuyez pour nettoyer. Évitez d'utiliser des nettoyeurs en poudre ou des tampons métalliques à récurer.



<b>E</b> Porcelaine	Essuyez immédiatement les éclaboussures acides comme les jus de fruit, le lait, les tomates avec un chiffon sec. N'utilisez pas d'éponge/chiffon humide sur de la porcelaine chaude. Lorsqu'elle est froide, nettoyez avec de l'eau chaude savonneuse ou appliquez du Soft Scrub® ou du Bon-Ami® sur une éponge humide. Rincez et séchez. Pour les tâches récalcitrantes, utilisez légèrement du Brillo®, ou les tampons S.O.S.®. Il est normal que la porcelaine se fendille très légèrement (de fines lignes) avec l'âge à cause des expositions à la chaleur et aux résidus alimentaires.
<b>F</b> Verre réfléchissant	Nettoyez avec de l'eau chaude savonneuse ou un récurreur en plastique. Frottez vigoureusement avec du vinaigre, du Windex®, de l'ammoniac, ou du Bon-Ami®. N'UTILISEZ PAS D'ABRASIFS FORTS.
<b>G</b> Acier inoxydable	Essuyez toujours avec un chiffon ou un nettoyant dans la direction du grain. Nettoyez avec une éponge savonneuse puis, rincez et séchez ou essuyez avec du Fantastik® ou du Formula 409 vaporisé sur un essuie-tout. Protégez ou polissez avec du Stainless Steel Magic® et un chiffon doux. Enlevez les taches d'eau avec un chiffon imbibé de vinaigre blanc. Utilisez du Zud®, Cameo®, Bar Keeper's Friend® ou RevereWare Steel Cleaner®, pour enlever la décoloration due à la chaleur.

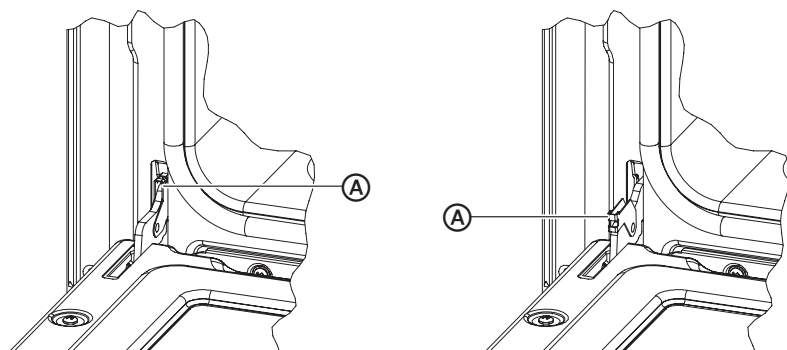
## ENTRETIEN À FAIRE SOI-MÊME RETRAIT DE LA PORTE DU FOUR

### POUR ENLEVER LA PORTE

#### IMPORTANT:

- Assurez-vous que le four est froid et qu'il est bien hors marche avant d'enlever la porte sinon vous pouvez vous électrocuter ou vous brûler.
- La porte du four est lourde et fragile. Utilisez vos deux mains pour enlever la porte du four. Le devant est en verre. Manipulez avec soin pour ne pas le briser.
- Ne saisissez que les côtés de la porte du four. Ne saisissez pas la poignée car elle pourrait glisser et provoquer des dommages ou vous blesser.

1. Ouvrez la porte complètement.
2. Soulevez le support de charnière.

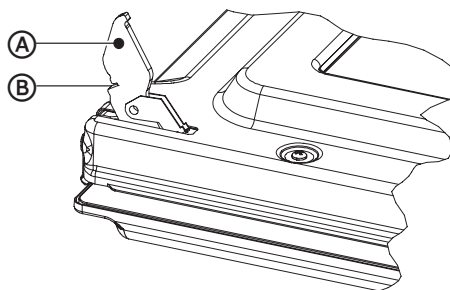


(A) Support de charnière

- Maintenez la porte fermement des deux côtés en utilisant les deux mains et fermez la porte.
- Maintenez fermement ; la porte est lourde
- Placez la porte dans un endroit approprié.

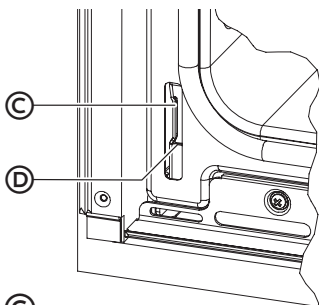
## POUR REMETTRE LA PORTE

- Insérez les bras supérieurs des deux charnières dans les fentes . Les enfoncements doivent s'accrocher aux lèvres.



(A) Bras supérieurs

(B) Enfoncements



(C) Fentes

(D) Lèvres

- Déplacez les supports des charnières vers le bas dans leur emplacement.
- Fermez et ouvrez la porte doucement pour assurer qu'elle est correctement bien en place.

## REPLACEMENT D'UNE AMPOULE DU FOUR

### ⚠ AVERTISSEMENT



#### Risque de choc électrique

Assurez-vous que le four et que les lumières sont froides et que le four est bien éteint avant de remplacer les ampoules.

Les lentilles doivent être remises en place lorsque vous utilisez le four. Les lentilles servent à protéger l'ampoule pour qu'elle ne se casse pas.

Les lentilles sont en verre. Manipulez-les avec précaution pour éviter de les casser.

Le non-respect de cette instruction pourrait causer un décès, un choc électrique, des coupures ou des brûlures.

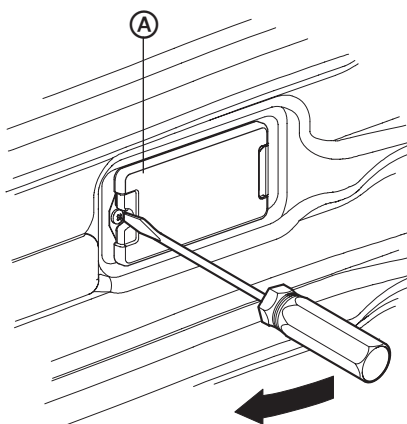
- Le four est équipé de deux ou trois lampes halogènes situées sur les parois latérales du four.

- Les ampoules s'allument lorsque la porte est ouverte ou lorsque le four est dans un cycle de cuisson
- Les lampes du four ne fonctionnent pas l'auto-nettoyage.
- Chaque assemblage d'éclairage comprend un couvercle amovible, une ampoule à incandescence ainsi qu'un réceptacle de douille fixe. Voyez l'illustration de cette page.
- Le remplacement de l'ampoule est considéré comme un entretien de routine.

## POUR REMPLACER UNE AMPOULE

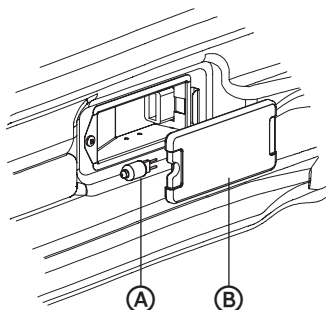
Type d'ampoule halogène: 120 V, 25 W (G9).

1. Assurez-vous que le four est éteint et est cool.
2. Coupez l'alimentation à la source principale (fusible ou disjoncteur).
3. Retirez le couvercle de l'ampoule en insérant avec soin la pointe d'un tournevis dans la tête de la vis à l'extrémité du couvercle de l'ampoule. Référez-vous à l'illustration pour savoir où insérer la pointe du tournevis et la direction dans laquelle le tourner. Dévisser la vis n'est pas nécessaire.



(A) Le couvercle de l'ampoule

4. Enlevez l'ampoule de son réceptacle en la tirant.



(A) L'ampoule

(B) Le couvercle de l'ampoule

- Remplacez l'ampoule avec une nouvelle. Évitez de toucher l'ampoule avec vos doigts, car la graisse des mains peut endommager l'ampoule lorsqu'elle devient chaude.

**REMARQUE:** L'ampoule est halogène: n'utilisez que le même type en vérifiant les volts et les watts.

- Remplacez le couvercle.
- Rebranchez l'alimentation principale à la source principale (fusible ou disjoncteur).

## DÉPANNAGE

### RÉSOLUTION DE PROBLÈMES CONCERNANT LA CUISSON ET LE RÔTISSAGE

Avec la cuisson au four ou la cuisson à convection et le rôtissage à convection, plusieurs raisons autres que le mauvais fonctionnement du four peuvent être à l'origine de résultats mitigés. Vérifiez le tableau ci-dessous qui répond à la plupart des problèmes communs. Étant donné que la taille, la forme et le matériel de cuisson affectent les résultats de la cuisson, la meilleure solution est de remplacer les vieux plats qui sont devenus sombres et qui se sont voilés avec le temps et leur utilisation. Reportez-vous aux tableaux de cuisson.

Problème concernant la cuisson et le rôtissage	Cause
Aliment brunissant de façon inégale	<ul style="list-style-type: none"> <li>Four non préchauffé</li> <li>Papier aluminium sur la grille ou au fond du four</li> <li>Plat de cuisson trop grand pour la recette</li> <li>Plat touchant aux autres plats ou à la paroi du four</li> </ul>
Aliment trop brun au fond	<ul style="list-style-type: none"> <li>Four non préchauffé</li> <li>Utilisation de plat en verre, mat ou foncé</li> <li>Position de grille incorrecte</li> <li>Plat touchant aux autres plats ou à la paroi du four</li> </ul>
Aliment sec ou ayant excessivement rétréci	<ul style="list-style-type: none"> <li>Température du four trop élevée</li> <li>Temps de cuisson trop long</li> <li>Porte du four trop souvent ouverte</li> <li>Plat trop grand</li> </ul>
Aliment cuisant ou rôtissant trop lentement	<ul style="list-style-type: none"> <li>Température du four trop basse</li> <li>Four non préchauffé</li> <li>Porte du four trop souvent ouverte</li> <li>Plat scellé hermétiquement avec du papier aluminium</li> <li>Plat trop petit</li> </ul>

Croûte à tarte non brunie au fond ou croûte non cuite	<ul style="list-style-type: none"> <li>• Temps de cuisson pas assez long</li> <li>• Utilisation de plat en acier brillant</li> <li>• Position de grille incorrecte</li> <li>• Température du four trop basse</li> </ul>
Gâteau pâle, plat, ou non cuit à l'intérieur	<ul style="list-style-type: none"> <li>• Température du four trop basse</li> <li>• Temps de cuisson incorrect</li> <li>• Cuisson vérifiée trop tôt</li> <li>• Porte du four trop souvent ouverte</li> <li>• Plat trop grand</li> </ul>
Gâteau élevé au centre avec craquelure sur les dessus.	<ul style="list-style-type: none"> <li>• Température du four trop élevée</li> <li>• Temps de cuisson trop long</li> <li>• Plat touchant aux autres plats ou à la paroi du four</li> <li>• Position de grille incorrecte</li> <li>• Plat trop petit</li> </ul>
Bords de croûte de tarte trop bruns	<ul style="list-style-type: none"> <li>• Température du four trop élevée</li> <li>• Bords de croûte trop minces</li> </ul>

## RÉSOLUTION DES PROBLÈMES DE FONCTIONNEMENT

Avant d'appeler un technicien, vérifiez ce qui suit pour éviter des frais de service non nécessaires.

Problème relié au four	Étapes de résolution de problèmes
Erreur E008 figurant à l'affichage	Il y a un problème avec le loquet de verrouillage. Mettez le four hors marche et remettez-le en marche après quelques secondes. Le four effectuera un test automatique de loquet. Si le problème persiste, notez le code d'erreur et contactez le centre de service agréé.
Autre erreur E figurant à l'affichage	Mettez l'appareil hors marche et remettez-le en marche après quelques secondes. Si le problème persiste, notez le code d'erreur et contactez le centre de service agréé.
L'affichage du four reste éteint	Coupez l'alimentation à la source principale (fusible ou disjoncteur). Réengagez le disjoncteur. Si le problème persiste, contactez le centre de service agréé.
Le ventilateur de refroidissement continue à fonctionner même si le four est hors marche	Le ventilateur se met automatiquement hors marche lorsque les composants électroniques sont suffisamment froids

La porte est verrouillée et ne s'ouvre pas même après le refroidissement	Mettez le four hors marche par le disjoncteur et attendez quelques secondes. Réengagez le disjoncteur. Le four devrait se réinitialiser seul et être utilisable.
Le four ne chauffe pas	Vérifiez le disjoncteur et les fusibles de chez vous. Vérifiez que la température du four est correctement sélectionnée.
Le four ne cuit pas uniformément	Vérifiez l'étalonnage du four. Réglez l'étalonnage si nécessaire (reportez-vous à Réglage de température). Reportez-vous aux tableaux de cuisson pour la position des grilles recommandée. Réduisez toujours votre recette de 15°C (25 °F) lorsque vous cuisinez avec le mode de cuisson à convection.
La température du four est trop froide ou trop chaude	Le thermostat du four doit être réglé. Voyez Réglage de la température du four.
L'éclairage du four ne fonctionne pas correctement	Remplacez ou réinsérez l'ampoule si elle est desserrée ou défectueuse. No touchez pas l'ampoule avec vos doigts car cela peut la faire griller.
L'éclairage du four ne s'éteint pas	Vérifiez si rien n'obstrue la porte du four. Vérifiez si la chamière n'est pas pliée ou que le loquet n'est pas verrouillé.
Impossibilité d'enlever le couvercle de l'ampoule du four	Il se peut qu'il y ait une accumulation de saleté autour du couvercle de l'ampoule. Essayez-le avec un chiffon sec et propre avant d'essayer d'enlever le couvercle de l'ampoule.
L'auto-nettoyage du four ne fonctionne pas correctement	Laissez le four refroidir avant l'auto-nettoyage. Essayez toujours les résidus ou les éclaboussures avant l'auto-nettoyage. Si le four est vraiment sale, réglez l'auto-nettoyage sur 4 heures. Consultez Préparation du four pour l'auto-nettoyage.
L'horloge et la minuterie ne fonctionnent pas correctement	Assurez-vous que le four est bien branché. Consultez Horloge et minuterie.
Humidité excessive	Lorsque vous utilisez le mode Cuisson, préchauffez d'abord le four. La cuisson à convection et le rôtissage à convection éliminent l'humidité du four (c'est un des avantages de la convection).
Éclats de porcelaine	Lorsque vous enlevez et remplacez les grilles, inclinez-les toujours vers le haut et ne forcez pas pour éviter les éclats de porcelaine.

**POUR OBTENIR DE L'AIDE SUPPLÉMENTAIRE, VISITER [HAIER.COM](http://HAIER.COM) OU CONTACTER LA LIGNE D'ASSISTANCE À LA CLIENTÈLE AU 1-877-377-3639.**

# GARANTIE LIMITÉE

## SERVICE À DOMICILE

### GARANTIE COMPLÈTE DE DEUX ANS

Pendant 24 mois à compter de la date d'achat d'origine, Haier réparera ou remplacera gratuitement n'importe quelle pièce (main-d'œuvre comprise) comportant un défaut de matériau ou de fabrication.

Haier peut choisir à sa seule discrétion de remplacer ou réparer des pièces, des sous-systèmes ou le produit tout entier.

Le produit doit être accessible, dégagé et installé correctement pour bénéficier du service de réparation sous garantie.

### GARANTIE LIMITÉE

**REMARQUE :** Cette garantie prend effet à la date à laquelle l'article a été acheté et le reçu de l'achat d'origine doit être présenté au représentant de dépannage autorisé avant qu'une quelconque réparation sous garantie ne soit effectuée.

**Exceptions :** Garantie à usage commercial  
**90 jours sur la main-d'œuvre à compter de la date d'achat d'origine**  
**90 jours sur les pièces à compter de la date d'achat d'origine**  
**Aucune autre garantie ne s'applique.**

### SERVICE AU TITRE DE LA GARANTIE

Contactez le centre de dépannage autorisé le plus proche. Tout dépannage doit être effectué par un centre de dépannage autorisé Haier. Pour le nom et le numéro de téléphone du centre de dépannage autorisé le plus proche de votre domicile, composez le 1-877-337-3639.

Avant d'appeler le centre, veuillez garder à disposition les renseignements suivants :  
Numéros de plaque signalétique de l'appareil.  
Le nom et l'adresse du revendeur auprès duquel vous avez acheté l'appareil, ainsi que la date d'achat.

Une description claire du problème rencontré.  
Une preuve d'achat (reçu de vente).

**Cette garantie est valable pour le service des appareils domestiques aux États-Unis contigus et au Canada et lorsque le service est disponible, en Alaska, à Hawaï et Porto Rico.**

#### **Cette garantie ne couvre pas :**

Le remplacement ou la réparation des fusibles, disjoncteurs, du câblage ou du circuit de plomberie du domicile.

Un produit dont le numéro de série d'origine a été enlevé ou modifié.

Tous frais de dépannage non identifiés comme étant normaux tel un dépannage dans une zone ou une tranche horaire normale.

Remplacement des ampoules.

Vêtements endommagés.

Les dommages liés à l'expédition.

Les dommages liés à une installation ou un entretien inadapté.

Les dommages causés par l'un des éléments suivants : Mauvaise utilisation, utilisation abusive, accident, incendie ou catastrophe naturelle.

Les dommages résultant d'un dépannage fourni par une entité autre qu'un revendeur ou centre de dépannage autorisé Haier.

Les dommages causés par un courant, une tension ou une alimentation électrique incorrects.

Les dommages résultant d'une quelconque modification ou altération du produit ou d'un ajustement non autorisé par Haier.

Un ajustement des commandes utilisées par le consommateur tel qu'identifié dans le manuel de l'utilisateur.

Les tuyaux, boutons, plateaux à charpie et tout accessoire ou pièce jetable.

Les frais de main-d'œuvre, transport pour dépannage et d'expédition pour le retrait et le remplacement de pièces défectueuses au-delà de la période de 24 mois.

Les dommages liés à une utilisation autre qu'une utilisation domestique normale.

Tout frais de transport et d'expédition.

**CETTE GARANTIE LIMITÉE REMPLACE TOUTE AUTRE GARANTIE EXPRESSE OU IMPLICITE, Y COMPRIS, MAIS PAS SEULEMENT, LES GARANTIES IMPLICITES, Y COMPRIS LES GARANTIES DE QUALITÉ MARCHANDE OU D'APTITUDE À UN USAGE PARTICULIER**

Le recours offert dans cette garantie est exclusif et se substitue à toute autre garantie.

Cette garantie ne couvre pas les dommages fortuits ou indirects; aussi les limitations décrites ci-dessus peuvent ne pas s'appliquer à votre cas. Certains États ne permettent pas de limitation sur la durée d'une garantie implicite, aussi les limitations décrites ci-dessus peuvent ne pas s'appliquer à votre cas.

Cette garantie vous confère des droits juridiques spécifiques. Vous pouvez également jouir d'autres droits qui peuvent varier d'un État à l'autre.

Haier America  
Wayne, NJ 07470

# ÍNDICE

SEGURIDAD DEL HORNO .....	79
CARACTERÍSTICAS DE SU HORNO .....	84
GENERALIDADES DEL HORNO .....	85
CONSEJOS GENERALES PARA EL HORNO.....	86
CONTROL ELECTRÓNICO.....	89
COCINAR CON HORNOS DE CONVECCIÓN .....	90
MODOS DEL HORNO .....	91
FUNCIONES DE COCINA .....	93
BREVES CONSEJOS.....	94
ADJUSTE MANUAL DEL FUNCIONAMIENTO DEL HORNO.....	96
CONSEJOS Y TÉCNICAS DE HORNEADO PO CONVECCIÓN .....	98
CONSEJOS Y TÉCNICAS DE HORNEADO.....	101
CONSEJOS Y TÉCNICAS DEL ASADO POR CONVECCIÓN .....	102
CONSEJOS Y TÉCNICAS DEL ASADO .....	103
CONSEJOS Y TÉCNICAS DE GRILL CONVECCIÓN .....	105
CUIDADO Y LIMPIEZA DEL HORNO.....	107
CONFIGURACIÓN DEL MODO DE AUTOLIMPIEZA .....	108
CUIDADO GENERAL DEL HORNO .....	109
ACABADOS DEL HORNO/MÉTODOS DE LIMPIEZA.....	110
QUITAR LA PUERTA DEL HORNO .....	112
CAMBIAR UNA LÁMPARA DEL HORNO .....	113
SOLUCIÓN DE PROBLEMAS.....	115
GARANTÍA LIMITADA.....	118

## INFORMACIÓN A TENER EN CUENTA

Le agradecemos la compra de este producto de marca Haier. Este manual para el usuario le ayudará a obtener el mejor funcionamiento de su nueva horno.

Para referencia futura, anote el número de modelo y de serie en el cuadro interior del horno, y la fecha de compra.

Engrape la prueba de compra a este manual para asistirle cuando necesite obtener servicio bajo la garantía.

---

Número de modelo

---

Número de serie

---

Fecha de compra



### Su seguridad y la seguridad de los demás es muy importante.

Hemos incluido muchos mensajes importantes de seguridad en este manual y en su electrodoméstico. Lea y obedezca siempre todos los mensajes de seguridad.



Este es el símbolo de advertencia de seguridad.

Este símbolo le llama la atención sobre peligros potenciales que pueden ocasionar la muerte o una lesión a usted y a los demás. Todos los mensajes de seguridad irán a continuación del símbolo de advertencia de seguridad y de la palabra "PELIGRO," "ADVERTENCIA" o "PRECAUCIÓN."

Estas palabras significan:

**⚠ PELIGRO**

Se trata de una situación de peligro inminente. Si no sigue las instrucciones de inmediato, usted puede morir o sufrir una lesión grave.

**⚠ ADVERTENCIA**

Se trata de una situación posiblemente peligrosa que, de no evitarse, podría causar la muerte o una lesión grave.

**⚠ PRECAUCIÓN**

Se trata de una situación posiblemente peligrosa que, de no evitarse, podría causar lesiones moderadas o leves.

Todos los mensajes de seguridad le dirán el peligro potencial, le dirán cómo reducir las posibilidades de sufrir una lesión y lo que puede suceder si no se siguen las instrucciones.

## **! ADVERTENCIA**

La ley de Agua potable y sustancias tóxicas de California obliga al Gobernador de California a publicar una lista de sustancias químicas conocidas en el Estado de California como causantes de cáncer, malformaciones congénitas u otros daños reproductivos y además, obliga a las empresas a advertir a las personas si creen que van a estar expuestas a tales sustancias químicas.

Este producto contiene una sustancia química que figura en la lista de sustancias peligrosas del Estado estadounidense de California y que se conoce como causante de cáncer, malformaciones congénitas u otros daños reproductivos. Este electrodoméstico puede provocar una baja exposición a algunas de las sustancias de la lista, incluidos el benceno, el formaldehído, el monóxido de carbono, el tolueno y el hollín.

## **ADVERTENCIAS PARA LA INSTALACIÓN ELÉCTRICA**

### **! ADVERTENCIA**



#### **Peligro de choque eléctrico**

La instalación y el servicio deberán llevarse a cabo por parte de un instalador competente o una agencia de servicio.

Los modelos funcionan a 240 V o 208 V de potencia.

Siempre desconecte el suministro de energía antes de darle servicio a la unidad.

Este aparato debe estar correctamente conectado a tierra.

No seguir esta instrucción puede ocasionar la muerte o lesiones graves.

# INSTRUCCIONES IMPORTANTES DE SEGURIDAD

**ADVERTENCIA:** Para reducir el riesgo de incendio, choque eléctrico, lesiones a personas o daños al utilizar el horno, siga precauciones básicas, incluyendo las siguientes:

## **Instalación correcta**

- La instalación y conexión a tierra del aparato deben ser efectuadas adecuadamente por un técnico competente. Conéctelo solamente a un contacto debidamente conectado a tierra. Vea "Instrucciones para la conexión a tierra" en las Instrucciones de instalación.
- Este aparato solo debe ser reparado por un técnico de servicio competente. Comuníquese con el centro de servicio autorizado más cercano para su examen, reparación o ajuste.
- No repare ni reemplace ninguna pieza del horno, salvo que se recomiende específicamente. Hágalo reparar por un técnico de servicio autorizado.
- No encienda el aparato si no funciona correctamente o está dañado, hasta que lo revise un técnico de servicio autorizado.
- Instale o coloque este aparato sólo conforme a las Instrucciones de instalación.
- Este horno debe usarse conforme al fin para el cual fue diseñado. En caso de preguntas, póngase en contacto con el fabricante.
- No cubra ni bloquee ninguna abertura de este aparato.
- Use este aparato sólo para lo que fue diseñado, como se describe en este manual. No use en este aparato productos químicos corrosivos, vapores o productos no alimenticios. Este tipo de horno ha sido específicamente diseñado para calentar o cocinar. No se ha diseñado para uso industrial o de laboratorio. El uso de sustancias químicas corrosivas para calentar o limpiar pueden dañar el aparato.

## **Para reducir el riesgo de incendio en la cavidad del horno:**

- No almacene materiales inflamables dentro o cerca del horno.
- No use agua para extinguir un incendio provocado por grasa. Extinga el incendio o use un extinguidor de tipo espuma o químico seco.
- Recomendamos especialmente tener a mano un extinguidor de incendios en un lugar altamente visible cerca de cualquier aparato de cocción.
- No cocine en exceso los alimentos. Vigile muy bien el horno si se coloca papel, plástico o cualquier material combustible dentro de este.

# INSTRUCCIONES IMPORTANTES DE SEGURIDAD

- No use la cavidad para almacenamiento. No deje productos de papel, utensilios de cocina ni alimentos en la cavidad cuando no la utiliza.
  - Si se encienden los materiales dentro del horno, mantenga la puerta cerrada. Apague el horno y desconecte el circuito en la caja de cortacircuitos.
  - Cerciórese de que el ventilador del soplador se enciende cuando el horno está en funcionamiento. Si el ventilador no funciona, no use el horno. Llame a un centro de servicio autorizado.
  - Nunca use el horno para calentar o entibiar la habitación. Esto podría dañar las piezas del horno.
- Seguridad personal**
- No permita que los niños utilicen este aparato, salvo que fueran supervisados de cerca por un adulto. No se debe dejar a los niños o mascotas solos o sin supervisión en el área donde el aparato está en uso. Nunca permita que los niños se sienten o se paren en ninguna parte del horno.
  - No almacene artículos que interesen a los niños sobre el horno. Si los niños se trepan al aparato para alcanzar algún objeto, podrían sufrir una lesión grave.
  - Para su seguridad personal, use prendas de vestir adecuadas. Nunca debe ponerse ropa holgada o con mangas colgando mientras esté usando el aparato.
  - Recoja el cabello largo para que no quede suelto.
  - No toque los elementos calefactores ni las superficies interiores del horno.
  - Los elementos calefactores podrían estar calientes aún si están de color oscuro. Las superficies interiores de un horno se calientan lo suficiente como para causar quemaduras.
  - Durante y después del uso, no toque ni deje que la ropa u otros materiales inflamables toquen los elementos calefactores ni las superficies interiores del horno hasta que haya transcurrido tiempo suficiente para que se enfrien.
  - El borde superior y los laterales de la puerta del horno pueden calentarse demasiado y ocasionar quemaduras.
  - Tenga cuidado al abrir la puerta. Debe abrirla suavemente para dejar que salga el aire caliente o el vapor antes de quitar o volver a colocar alimentos.
  - No ponga a calentar recipientes de alimentos cerrados. La acumulación de presión puede hacer que el recipiente explote y ocasione lesiones.

# INSTRUCCIONES IMPORTANTES DE SEGURIDAD

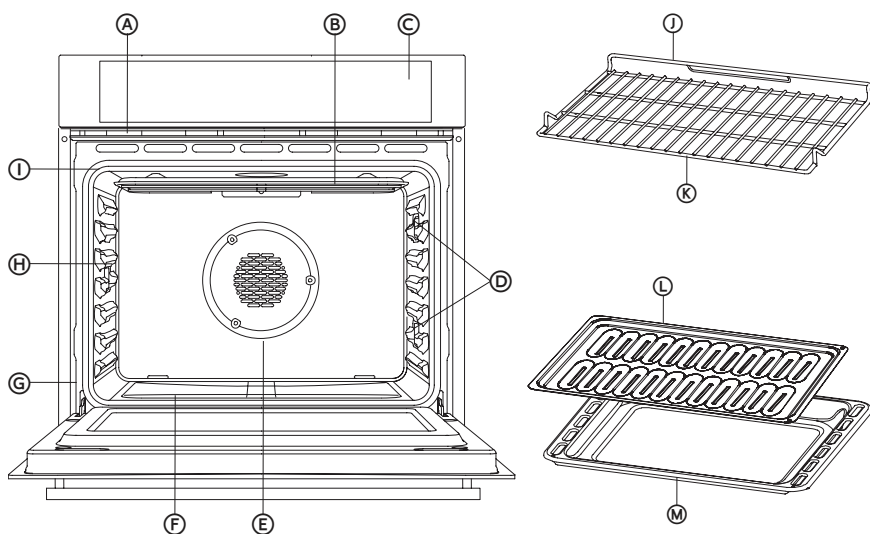
- Siempre coloque las parrillas del horno en el lugar deseado mientras el horno esté frío. Si se debe mover la parrilla mientras el horno está caliente, no permita que la agarradera de ollas entre en contacto con el elemento calefactor caliente.
- Use solo agarraderas de ollas secas. Las agarraderas de ollas húmedas o mojadas en las superficies calientes pueden ocasionar quemaduras por vapor. No deje que la agarradera de ollas toque los elementos calefactores calientes. No use una toalla ni otros paños voluminosos.
- Confirme que la puerta se traba y no se abre cuando ambos selectores se encuentran en la posición CLEAN (Limpiar) y aparece el icono de bloqueo de puerta. Si la puerta no se traba, gire el selector de modo de cocción a la posición OFF (Apagado) y no efectúe Self-Clean (Autolimpieza). Llame al servicio técnico.
- No limpie la junta de la puerta. Es esencial para que quede bien sellada. Deberá tener cuidado de no frotar, dañar ni mover o quitar la junta de la puerta.
- No deberá usarse ningún limpiador para horno comercial ni revestimiento protector para hornos de ninguna clase dentro ni alrededor de ninguna parte del horno.
- Limpie solo las piezas enumeradas en este manual.
- Otras superficies del aparato pueden calentarse lo suficiente como para causar quemaduras, entre esas superficies están (identificación de superficies, por ejemplo, los orificios de ventilación del horno y las superficies cercanas a esos orificios, las puertas del horno y las ventanas de las puertas del horno).

## **Seguridad para el horno autolimpiante:**

- Antes de comenzar con la autolimpieza del horno, saque la charola para asar, las parrillas del horno (solo si no son de porcelana), otros utensilios y el exceso de derrames ligeros.

## LEA Y GUARDE ESTAS INSTRUCCIONES

## CARACTERÍSTICAS DE SU HORNO



- (A)** Aberturas de enfriamiento del horno
- (B)** Elemento para asar
- (C)** Panel de control
- (D)** Lámparas halógenas
- (E)** Ventiladores de convección y elementos (no visible)
- (F)** Elemento de horneado (no visible)
- (G)** Placa con # de serie y modelo
- (H)** Sonda carne (si existe)
- (I)** Empaque de la puerta
- (J)** Fondo
- (K)** Frente
- (L)** Bandeja de parrilla
- (M)** Bandeja de asado

## GENERALIDADES DEL HORNO

### **! ADVERTENCIA**



#### **Peligro de incendio**

Retire todo el embalaje y el material no perteneciente al horno. Cualquier material de este tipo que se deje en el interior podría fundirse o arder al utilizar el electrodoméstico.

No seguir esta instrucción puede ocasionar la muerte o incendio.

### **CONEXIÓN DE 240 V CONTRA 208 V**

La mayoría de instalaciones para hornos dispondrán de una conexión de 240 V. Si su horno está instalado con 208 V, el precalentado puede ser ligeramente más largo que con un voltaje de 240 V. El horno está diseñado para asegurar el mismo tiempo de limpieza a 208 V.

### **HORNEADO A GRAN ALTITUD**

Cuando se hornea a gran altitud, las recetas y el tiempo de cocción varían con respecto a los estándares.

### **ERROR DE APAGÓN**

Cuando vuelva la corriente, la pantalla del reloj marcará las 12.00.

### **CÓDIGOS DE NÚMEROS ERROR E**

Si estos códigos aparecen en la pantalla cuando el control electrónico detecta algún problema en el horno o en la parte electrònica.

### **CHIRRIDO**

Es posible que se oiga un ruido proveniente del electrodoméstico al utilizar el horno debido a la deformación por el calor; no se trata de ningún problema de funcionamiento.

### **SÍMBOLOS PARPADEANTES O NÚMEROS**

Indican una acción incompleta que está en curso (bloqueo de la puerta, precalentamiento, etc.).

### **PITIDOS**

Señal que indica que se ha alcanzado la temperatura programada. Los pitidos también señalan el final de una función o un error del horno.

## VENTILADOR DE CONVECCIÓN

El ventilador de convección trabaja durante cualquier modo de convección o deshidratado.

## VENTILADOR DE REFRIGERACIÓN DE LOS COMPONENTES

Se activa durante todos los modos de cocción y la Autolimpieza para refrigerar los componentes internos y la superficie de la puerta exterior. El aire se expulsa a través de las aberturas colocadas por encima de la puerta del horno. Sigue funcionando hasta que los componentes se han enfriado lo suficiente. El ventilador de refrigeración va al doble de velocidad (o de RPM) en el modo la Autolimpieza y cada vez que los componentes internos aumentan su temperatura.

## USO DE LAS LÁMPARAS DEL HORNO

- Cuando el horno está en función, las lámparas del horno se encienden automáticamente cuando inicia el modo. Las lámparas del horno se apagan automáticamente al finalizar y cuando el modo del horno se anula.
- Las lámparas no funcionan en el modo de la Autolimpieza.
- El interruptor (LIGHT) activa las luces del horno.

## FAHRENHEIT Y CELSIUS

La temperatura se muestra en grados Fahrenheit, pero se puede cambiar a grados Celsius.

## CONSEJOS GENERALES PARA EL HORNO

### AJUSTES POR DEFECTO

Los modos de cocción seleccionan automáticamente una temperatura adecuada. Estas se pueden cambiar cuando se necesita una temperatura diferente.

### CONDENSACIÓN Y TEMPERATURA DEL HORNO

- Es normal que una cierta cantidad de humedad se evapore de los alimentos durante el proceso de cocción. La cantidad depende del contenido de humedad que contienen los alimentos. La humedad se puede condensar sobre cualquier superficie más fría que el interior del horno, como el panel de control.
- Su nuevo horno dispone de un sensor electrónico de temperatura que permite mantener una temperatura exacta. Quizás su horno anterior disponía de un termostato mecánico que se desviaba gradualmente al cabo del tiempo a una temperatura más alta. Es normal que deba adaptar sus recetas preferidas al cocinar en un horno nuevo.

### SUGERENCIAS PARA EL USO

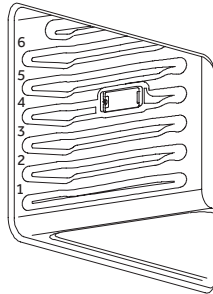
- Utilice las tablas de cocción como guía.
- No coloque recipientes ni peso alguno sobre la puerta abierta del horno.
- Utilice la iluminación interior del horno para ver los alimentos a través de la ventana de la puerta del horno, en lugar de abrir la puerta constantemente.



## UTENSILIOS

- Los platos de vidrio para cocción absorben el calor. Reduzca la temperatura del horno en 25 °F (15 °C) cuando cocine en vidrio.
- Utilice recipientes que le permitan dorar los alimentos como desee. El tipo de acabado de los recipientes determinará cuánto conseguirá dorar los alimentos.
- Los recipientes brillantes, de metal liso o con un ligero tratamiento antiadherente / anodizados reflejan el calor, lo que permite conseguir un dorado más suave y delicado. Los pasteles y galletas requieren este tipo de utensilios.
- Los recipientes oscuros, rugosos o mates absorberán el calor y, por tanto, lo que permite conseguir una corteza más dorada y crujiente. Use este tipo para pasteles.
- Para conseguir una corteza dorada y crujiente, utilice utensilios oscuros antiadherentes / anodizados, utensilios oscuros mate o recipientes de vidrio para cocción.
- No cocine con la bandeja de asado vacía dentro del horno, ya que podría alterar las condiciones de cocción. Guarde la bandeja de asado fuera del horno.

## REJILLAS DEL HORNO



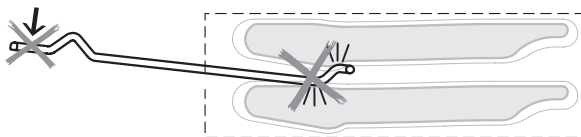
- El horno tiene guías para las rejillas en seis niveles, tal como se muestra en la ilustración.
- Las posiciones de las rejillas están numeradas desde la guía de la rejilla inferior (#1) a la superior (#6).
- Consulte las tablas de cocinar para determinar las mejores posiciones de la rejilla para usar cuando se cocina.
- Cada guía de nivel consiste en un par de soportes formados en las paredes de cada lado del interior del horno.
- Asegúrese siempre de que las rejillas del horno se encuentran en la posición correcta antes de encender el horno. Asegúrese de que las rejillas estén niveladas una vez colocadas en posición.

Si tiene dudas, como por ejemplo, qué lado es la parte frontal o la parte superior de la rejilla, tome como referencia Características de su horno.

- Las rejillas están diseñadas para pararse cuando se tiran hacia atrás hasta el tope.

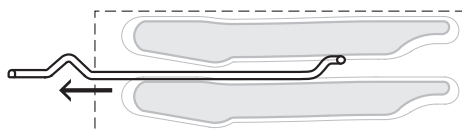
**IMPORTANTE:** Nunca utilice papel de aluminio para tapar las rejillas del horno o para forrar el horno. El calor atrapado por debajo del papel de aluminio puede dañar el revestimiento del horno.

**IMPORTANTE:** Asegúrese de que no la ha forzado para evitar daños al esmalte.

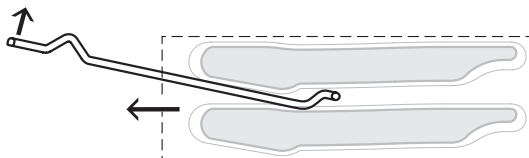


**Para sacar las rejillas del horno:**

1. Agarre la rejilla y empújela hacia adelante

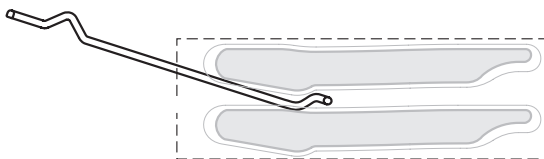


2. Inclina la parte frontal de la rejilla hacia arriba y sáquela

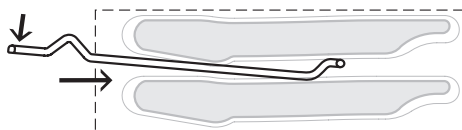


**Para meter una rejilla del horno:**

1. Coloque la parte de atrás de la rejilla entre las guías de nivel de rejilla



2. Mientras inclina la parte frontal de la rejilla hacia arriba, deslice la rejilla a lo largo de la vía mientras baja la parte fronta.



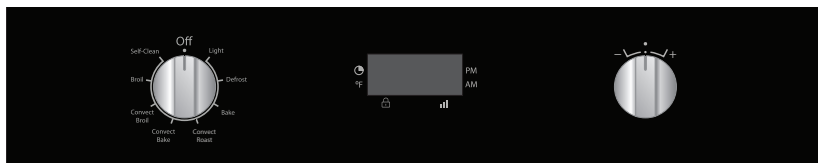
# CONTROL ELECTRÓNICO

## DESCRIPCIÓN DEL PANEL DE MANDOS

El panel de mandos del horno está compuesto por un display y dos botones.

- Display de tiempo y temperatura
- Botón tiempo + temperatura (Push & Turn)
- Botón modo (funciones del horno)

El botón Push & Turn sirve principalmente para el ajuste del reloj y de la temperatura y para la programación de las funciones de tiempo automáticas. Seleccione el parámetro deseado pulsando el botón.



## EL RELOJ DEL HORNO

**IMPORTANTE:** Después de la instalación inicial y cortes de energía, la hora del día (12:00 a.m.) parpadeará para avisarle que fije la hora del día correcta. El horno no funcionará hasta que se haya fijado la hora del día.

## CONFIGURACIÓN DE LA HORA DEL DÍA

Empuje hacia adentro la perilla Time/Temp (Tiempo/Temperatura) para alternar entre la hora del día y el temporizador, y para ver los horarios fijados.

1. Gire la perilla del modo de horno hacia la posición OFF (Apagado).
2. Gire la perilla -/+ hacia la izquierda o derecha; el indicador de tiempo comienza a destellar.

**NOTA:** Las horas y los minutos se fijan por separado.

3. Gire la perilla de nuevo, hasta que los dígitos de las horas comiencen a destellar.
4. Ajuste los números de las horas que destellan girando la perilla -/+ hacia la izquierda o derecha.
5. Empuje hacia adentro la perilla -/+ una vez para fijar las horas y los números de los minutos comenzarán a destellar.
6. Ajuste los números de los minutos que destellan girando la perilla -/+ hacia la izquierda o derecha. Después de unos segundos, los números de la hora y de los minutos comenzarán a destellar.
7. Espere otros 10 segundos hasta que la nueva hora del día quede fija. La hora está fijada ahora.

## CONFIGURACIÓN DEL TEMPORIZADOR

### NOTAS:

- La pantalla mostrará la hora del día (prefijada), hasta que presione la perilla para seleccionar el temporizador (icono gráfico del temporizador).
- El temporizador se puede fijar para una cantidad de tiempo de 0 a 240 minutos.
- El tiempo prefijado es de 30 minutos.
- El temporizador del horno se puede utilizar para tomar el tiempo de otras actividades, incluso cuando el horno está apagado.

### Para ajustar el temporizador:

1. Empuje hacia adentro la perilla para seleccionar el temporizador.
2. Gire la perilla hacia la derecha o izquierda para seleccionar la hora.
3. Cuando pase el tiempo, 🔔 destellará y el temporizador emitirá dos pitidos cortos que se repetirán cada 3 segundos.
4. Empuje hacia adentro la perilla para detener la alarma del temporizador.

## VOLUMEN DE LA ALARMA DEL TEMPORIZADOR

Para ajustar el volumen de la alarma del temporizador:

1. Gire la perilla del modo de horno hacia Light (Luz).
2. Gire la perilla Time/Temp (Tiempo/Temperatura) hacia la izquierda para seleccionar entre 3 volúmenes disponibles.

**NOTA:** La alarma del temporizador emitirá dos pitidos cortos cada 3 segundos en el nivel de volumen seleccionado hasta que la alarma se apague o se desconecte.

## UNIDAD DE MEDIDA DE LA TEMPERATURA

Para seleccionar grados centígrados o Fahrenheit, presionar dos veces la perilla +/-; cuando en la pantalla se observa el símbolo F o C, girar la perilla +/- para cambiar la unidad de medida y presionar la perilla +/- para confirmar.

## COCINAR CON HORNOS DE CONVECCIÓN

En un horno convencional, las fuentes de calor se encienden y se apagan para mantener una temperatura media en la cavidad del horno.

Debido a que la temperatura aumenta y disminuye gradualmente, se producen ligeras corrientes de aire en el interior del horno. Esta convección natural tiende a ser ineficaz, ya que las corrientes son irregulares y lentas. En este sistema de convección, el calor se "transmite" mediante un ventilador que proporciona circulación continua de aire caliente. Este sistema de convección europeo proporciona una ingeniería de vanguardia y un diseño avanzado para crear el más sofisticado horno de convección. En los normos de convección estándar, un ventilador simplemente hace circular el aire caliente alrededor de los alimentos. El sistema se caracteriza por la combinación de un elemento de calentamiento adicional situado alrededor del ventilador de convección y el panel de ventilación que distribuye el aire caliente en tres dimensiones: a lo largo de los laterales, la parte superior y el fondo de la cavidad del horno. Este sistema de convección europeo ayuda a que la temperatura del horno se mantenga más uniforme a lo largo de la cavidad del horno.

El aire circulante ayuda a agilizar el proceso de cocción y cocina los alimentos de forma más uniforme. Al controlar el movimiento de aire caliente, la cocción por convección produce alimentos uniformemente dorados que están crujientes en su exterior, aunque jugosos en su interior. La cocción por convección funciona mejor para pan y pastas, así como para la carne y aves. Los alimentos que se elevan con aire, como los bollos de crema, los suflés y los merengues suben más que en un horno convencional. Las carnes quedan jugosas y tiernas a la vez que en su exterior están sabrosas y crujientes.

Al utilizar el sistema de convección europeo, es posible cocinar los alimentos a más baja temperatura y reducir los tiempos de cocción.

Al utilizar este modo, la temperatura estándar del horno deberá reducirse en 25 °F (15 °C). Los alimentos que necesiten menos tiempo de cocción deberán controlarse un poco antes de lo normal. Para conseguir los mejores resultados, los alimentos deben cocinarse destapados y en recipientes con bordes bajos para aprovechar la circulación forzada de aire. Al utilizar el modo de asado por convección, no es necesario reducir la temperatura estándar del horno.

## VENTAJAS DE COCINAR POR CONVECCIÓN

- Es posible cocinar al mismo tiempo con múltiples rejillas sin transferir el sabor con buenos resultados.
- Cocinar con múltiples rejillas ahorra tiempo.
- Prepara comidas completas de una sola vez sin transferir los sabores.
- No precisa moldes para horneados especiales.
- Verduras deshidratadas, frutas y vegetales.
- Ahorra tiempo y energía.
- El asado por convección permite el asado a la parrilla extraordinario con cortes más gruesos del alimento.

## MODOS DEL HORNO

Las siguientes ilustraciones dan una vista general de lo que sucede en el horno en cada modo de ajuste. Las flechas representan la posición de la fuente de calor durante cada uno de los modos. Los elementos inferiores están ocultos bajo el piso inferior.

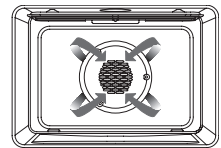
El tiempo máximo para que el horno permanezca encendido es de 11 horas y 59 minutos. Una vez transcurrido este período de tiempo, "END" (Fin) aparecerá en la pantalla.

- Ajuste la hora girando la perilla +/- para agregar más tiempo.
- Gire la perilla del modo de horno para seleccionar la función del horno deseada.

## CONV BAKE (HORNEADO POR CONVECCIÓN)

Temperatura establecida: de 120 °F (50 °C) a 480 °F (250 °C)  
(posición preestablecida en 375 °F (190 °C))

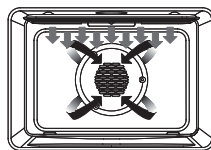
El horneado por convección cocina con aire que proviene de tercer elemento que se encuentra detrás de la pared trasera del horno. Este calor circula a través del horno por medio de un ventilador de convección.



## CONV BROIL (ASADO POR CONVECCIÓN)

Temperatura establecida: de 120 °F (50 °C) a 485 °F (250 °C)  
(posición preestablecida en 445 °F (230 °C))

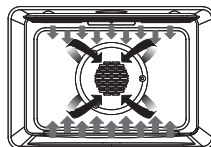
El Asado por convección combina el calor intenso del elemento superior con el aire que circula por medio del ventilador de convección.



## CONV ROAST (GRILL POR CONVECCIÓN)

Temperatura establecida: de 120 °F (50 °C) a 480 °F (250 °C)  
(posición preestablecida en 375 °F (190 °C))

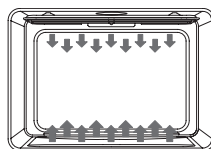
El Grill por Convección usa el calor de los elementos superiores e inferiores, así como el calor del ventilador de convección.



## BAKE (HORNEADO)

Temperatura establecida: de 120 °F (50 °C) a 485 °F (250 °C)  
(posición preestablecida en 410 °F (210 °C))

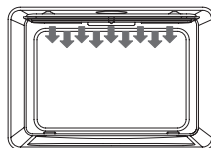
En el horneado se cocina con aire caliente. Tanto el elemento superior como el inferior se encienden en ciclos para mantener la temperatura del horno.



## ASADO (BROIL)

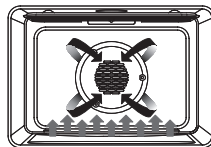
Temperatura establecida: de 120 °F (50 °C) a 485 °F (250 °C)  
(posición preestablecida en 445 °F (230 °C))

El Asado usa el calor intenso que radia el elemento superior.



## DESCONGELADO (CONV)

En Defrost no se utiliza ningún elemento de calentamiento, sino que para descongelar los alimentos se emplea únicamente el Ventilador de convección.



## FUNCIONES DE COCINA

Gire la perilla del modo de horno para seleccionar la función del horno deseada.

Control	Descripción de la función	Se utiliza para...
<b>OFF</b>	Todos las funciones de cocción están apagadas (en OFF) y las resistencias están apagadas (en OFF).	N/A
<b>Light (La luz)</b>	Solo la luz del horno está en funcionamiento.	N/A
<b>Defrost (Descongelar)</b>	En esta función solo el ventilador interno de convección está encendido (en ON), por ej.: el horno no se calienta.	Esta función se utiliza para descongelar alimentos congelados.
<b>Bake (Horneado)</b>	En la función de horneado las dos resistencias del horno superior e inferior se utilizan para calentar el aire del horno. El ventilador no se utiliza para hacer circular el calor.	Esta es la manera tradicional de cocina sobre una bandeja. Por lo tanto, se tiene que usar una sola bandeja cuando se selecciona la función de horneado. Ideal para aperitivos, galletas, pastas de café y cookies.
<b>Convect Roast (Asado de convección)</b>	La función de asado de convección usa la resistencia superior (arriba), la resistencia inferior (abajo) y el ventilador de convección del horno.	Ideal para asar pollos o pavos enteros y pizzas. También se puede usar para hornear aperitivos, galletas, tartas de café y cookies en uno o varios niveles.
<b>Convect Bake (Horneado de convección)</b>	La función de horneado de convección usa la resistencia circular o la resistencia oculta tras el deflector en la pared trasera del horno. El calor circula por todo el horno por medio del ventilador de convección.	Por consiguiente, es posible cocinar varios alimentos a la vez (al máximo tres niveles) y es apropiado para preparar una comida completa (pequeñas porciones). Se evitan las mezclas de sabores y se obtiene un importante ahorro de energía.
<b>Convect Broil (Grill de convección)</b>	La función de grill de convección combina el calor intenso de la resistencia superior (arriba) con el aire que circula por medio del ventilador de convección.	Ideal para filetes, hamburguesas, cuartos o pechugas de pollo.
<b>Broil (Grill)</b>	La función grill utiliza el calor intenso que radia la resistencia superior (arriba).	Ideal para preparar tostar, dorar y gratinar.

<b>Self Clean (Autolimpieza)</b>	El tiempo estándar es de 1.30 h y se puede cambiar.	Función PYRO o de autolimpieza. En esta función el horno se limpia automáticamente quemando los residuos de cocción a alta temperatura (alrededor de 460°C) durante un periodo que va de 1 a 3 horas. Durante el ciclo de autolimpieza todos los humos que se producen se filtran y luego se expulsan en el medio ambiente.
--------------------------------------	---	---

## BREVES CONSEJOS

### COCINAR POR CONVECCIÓN

#### ACERCA DE LA COCINA POR CONVECCIÓN

Los modos de cocción estándar (horneado, asado, etc.) emplean el calor irradiado desde uno o más elementos para cocinar los alimentos. Los modos de convección emplean tanto el calor procedente de los elementos como los ventiladores de la parte trasera del horno para que el aire calentado circule de forma continua por todo el horno.

#### VENTAJAS DE COCINAR POR CONVECCIÓN


- Incluso horneando, alimentos dorados y crujientes.
- Los jugos y aromas quedan sellados en el interior.
- Los alimentos que suben mucho como los bollos de crema, los suflés, merengues y el pan se elevan más y son más ligeros.
- Se puede cocinar con múltiples rejillas.
- No se requieren recipientes especiales.
- Ahorra tiempo y energía.



**NO utilice el horneado por convección para las carnes. En su lugar, utilice el grill por convección.**

Modo	Use este tipo para	Para obtener los mejores resultados	Breves consejos de cocina
<b>Horneado por convección</b>	<ul style="list-style-type: none"> <li>Grandes cantidades de alimentos en múltiples rejillas.</li> <li>Pastelitos, pan, galletas saladas, alimentos y aperitivos.</li> </ul>	<ul style="list-style-type: none"> <li>Utilice recipientes bajos y sin tapar.</li> <li>Centre la bandeja de horneado entre lado y lado de la rejilla del horno.</li> </ul>	<ul style="list-style-type: none"> <li>Reduzca la temperatura de la receta en 25 °F (15 °C).</li> <li>Controle si los alimentos están cocidos antes:</li> </ul> <p><b>Si en la receta le indica que controle los alimentos</b></p> <p>1-15 min. 3 min. antes</p> <p>16-30 min. 5 min. antes</p> <p>31 min.-1h. 10 min. antes</p>
<b>Asado por convección</b>	<ul style="list-style-type: none"> <li>Cortes más gruesos y tiernos de carne, aves y pescado.</li> <li>NO utilice este modo para dorar pan o guisos.</li> </ul>	<ul style="list-style-type: none"> <li>Las carnes deben tener un grosor de al menos 1".</li> </ul>	<ul style="list-style-type: none"> <li>No es necesaria ningun conversión respecto al asado estándar.</li> <li>Consulte la Tabla de asado por convección de este manual para conocer los tiempos de cocción.</li> </ul>
<b>Grill por convección</b>	<ul style="list-style-type: none"> <li>Cortes más grandes y tiernos de carne y aves, como pollo asado o entero.</li> </ul>	<ul style="list-style-type: none"> <li>NO cubra la carne ni use bolsas para cocinar.</li> <li>Consulte la Tabla de grill po convección de este manual para conocer los tiempos de cocción.</li> </ul>	<ul style="list-style-type: none"> <li>NO modifique la temperatura de la receta.</li> </ul>

## ADJUSTE MANUAL DEL FUNCIONAMIENTO DEL HORNO

Girar el botón de modo a la posición deseada; en el reloj aparece On durante unos segundos. El horno puede funcionar hasta 12 horas al máximo. Según el modelo de horno, las funciones a disposición pueden variar en cuanto a número y tipo. Si en visualización reloj está activa la función aparece el  (es decir, no en las posición luz).

Girar el selector Temperatura+Tiempo y ajustar la temperatura del horno deseada. El sistema prevé una temperatura preajustada (PRESET) para cada modo de horneado o una gama completa entre MÍN. y MÁX. que se ajusta manualmente. Comprobar el valor visualizado después de seleccionar la temperatura.

La temperatura aparece en el display del reloj después de haberse pulsado el selector Tiempo+Temperatura, o bien justo después de seleccionar una nueva función.

Tan pronto como el horno arranca, el indicador luminoso de precalentamiento (indicado por barras) debajo del display del reloj se pone a parpadear; pasa a luz fija cuando finaliza el precalentamiento. Emitiendo una señal acústica.

Girar el selector de modo a la posición CERO (OFF) para detener todas las actividades; aparece durante unos segundos la indicación OFF.

## AJUSTE DEL FUNCIONAMIENTO AUTOMÁTICO DEL HORNO

### **ADVERTENCIA**

#### **Peligro de intoxicación por alimentos**

No deje sus alimentos en el horno por más de una hora antes o después de su cocción.

No seguir esta instrucción puede ocasionar intoxicación alimentaria o enfermedad.

Después de seleccionar el modo de horno, puede programar el horno para la cocción programada. El programa de cocción programada permanecerá fijado incluso si cambia el modo de horno, con excepción del modo Self-Clean (Autolimpieza).

Las posibilidades a disposición son las siguientes:


1. Horneado temporizado con ajuste del tiempo de horneado (duración).
2. Horneado temporizado con ajuste del fin de tiempo de horneado (hora de apagado).
3. Horneado retardado con ajuste de la duración y de la hora de apagado.

Pulsar el botón para conmutar entre la modalidad duración de horneado (tiempo de horneado) y la modalidad final del tiempo de horneado (hora de apagado). Aparecen visualizadas respectivamente las palabras "dur" o "End".

Girar el botón a la izquierda o a la derecha para editar el valor de duración o la hora de apagado cuando está visualizada la palabra correspondiente.


1. Cuando está visualizada la palabra dur, el sistema muestra como duración de horneado el valor 30'. Girar el botón a la izquierda o a la derecha para ajustar la duración de horneado deseada en un rango comprendido entre 0 y 240 minutos. Aparecerán unos segundos parpadeando y alternándose la palabra dur y su valor; a continuación aparecerán la hora, el símbolo de la cacerola y la letra que indica que está activo un horneado temporizado. El final de la duración de horneado queda actualizado automáticamente.
2. Cuando aparece la palabra End, el sistema muestra la hora actual como hora de apagado inicial. Para ajustar la hora de fin de horneado deseada en un rango de 24 horas:


- Girar el botón a la izquierda/derecha, las horas parpadean.
- Girar el botón a la derecha/izquierda para modificar el valor parpadeante de las horas.
- Apretar el botón para moverse entre las horas y los minutos o esperar unos segundos hasta que los minutos parpadeen.
- Girar hacia la izquierda/derecha para modificar el valor parpadeante de los minutos.
- Esperar hasta que el nuevo valor de fin de tiempo de horneado deje de parpadear.

Aparecerán unos segundos parpadeando y alternándose la palabra End y su valor; a continuación aparecerán la hora, el símbolo  y la letra "A" que indica que está activo un horneado temporizado. La duración de horneado queda actualizado automáticamente.

3. Repetir las mismas operaciones que en el punto 1 y a continuación apretar el botón hasta que aparezca la palabra End. El sistema muestra como hora de apagado inicial el valor "hora actual+duración de horneado". No se puede reducir el fin de la duración de horneado por debajo de este valor. Para ajustar la hora de fin de horneado deseada en un rango de 24 horas:

- Girar el botón a la izquierda/derecha, las horas parpadean.
- Girar el botón a la derecha/izquierda para modificar el valor parpadeante de las horas.
- Apretar el botón para moverse entre las horas y los minutos o esperar unos segundos hasta que los minutos parpadeen.
- Girar el botón hacia la derecha/izquierda para modificar el valor parpadeante de los minutos.
- Esperar hasta que el nuevo valor de fin de tiempo de horneado deje de parpadear.

Aparecerán unos segundos parpadeando y alternándose la palabra End y su valor ; a continuación aparecerán la hora y la letra que indica que está activo un horneado retardado. Tan pronto como finaliza el tiempo de retardo, el horno se pone en marcha y trabajará durante el tiempo de horneado programado. El display muestra el símbolo .

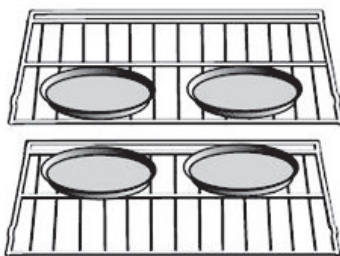
Al terminar cualquier actividad temporizada, el sistema de mando apaga el horno, el avisador acústico emite una secuencia de aviso (dos bip cortos repetidos a intervalos de 3 segundos) para llamar la atención del usuario y los iconos relativos al tiempo  parpadean. Apretar el botón para apagar el avisador acústico y reconocer el mensaje de aviso.

Girar el selector de modo a la posición CERO (OFF) antes de utilizar nuevamente el horno.

## CONSEJOS Y TÉCNICAS DE HORNEADO PO CONVECCIÓN

Reduzca las temperaturas del horneado de las recetas en 25 °F (15 °C).

- Para obtener mejores resultados, se recomienda poner los alimentos en bandejas planas, no tapadas para beneficiarse de la circulación del aire forzado. Utilice moldes de aluminio brillante para obtener los mejores resultados si no se especifica nada más.
- Se puede utilizar vidrio refractario o cerámica. Reduzca la temperatura en otros 25 °F (15 °C) cuando utiliza platos de vidrio refractario, con una reducción total de 50 °F (30 °C).
- Se pueden usar moldes de metales oscuros. Tenga presente que los alimentos se dorarán más rápidamente si usa recipientes de metal oscuro.
- El número de rejillas utilizadas lo determina la altura del alimento que tienen que cocinar.
- La mayoría de los elementos horneados, se cocinan fantásticamente bien por convección. No intente convertir recetas como natillas, quiches, tartas de calabaza ni pasteles de queso, donde el proceso de calentamiento por convección no es el adecuado. Con estos alimentos, utilice el modo de horneado normal.
- Cocinar con múltiples rejillas para comidas realizadas al horno se debe a la posición de las rejillas 1, 2, 3, 4 y 5. Se pueden utilizar todas las rejillas, para las galletas, bollos y galletitas saladas.
  - Con 2 rejillas de horneado. Use las posiciones 1 y 3.
  - Con 3 rejillas de horneado. Use las posiciones 2, 3 y 4 o 1, 3 and 5.
  - Cuando hornea cuatro capas con pasteles al mismo tiempo, coloque los moldes de tal modo que ningún molde quede directamente encima de otro. Para lograr mejores resultados, coloque los moldes en la parte frontal de la rejilla superior y en el fondo de la rejilla inferior (vea la figura a la derecha). Permita 1" - 1½" (2.5 - 3 cm) de espacio libre alrededor de los moldes.
- Transformar su propia receta puede ser fácil. Elija una receta que funcione bien en el modo de convección.



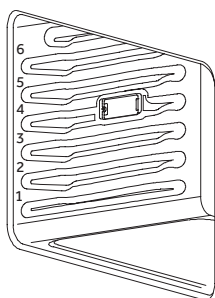
Rejilla 3

Rejilla 1

- Reduzca la temperatura y el tiempo de cocción si fuera necesario. Puede ser necesaria alguna prueba y error para obtener un resultado perfecto. Conserve los resultados de su técnica para la próxima vez que quiera preparar la misma receta utilizando el sistema por convección.
- Consulte Solución de problemas para obtener sugerencias para la resolución de hornear y asar problemas.

## ALIMENTOS RECOMENDADOS PARA MODO DE HORNEADO POR CONVECCIÓN:

Galletitas saladas y hojaldres, tortas para el café, Pasteles (de 2 a 4 rejillas) Masa de levadura, Bollos de crema, Popovers, Guisos y entrantes, Comidas preparadas al horno (posición de las rejillas 1, 2, 3), Alimentos que se elevan con aire (Suflés, Merengues, Postres recubiertos con merengues, Bizcocho Angel, Bizcochos)



## CONSEJOS PARA RECETAR RÁPIDAS Y FÁCILES

**Para transformar el HORNEADO estándar en HORNEADO POR CONVECCIÓN:**

- Reduzca la temperatura en 25 °F (15 °C).
- Use el mismo tiempo de horneado que para el modo de Horneado si es por debajo de los 10 a 15 minutos.
- Los alimentos con un tiempo de horneado inferior a 30 minutos deberían controlarse para ver si están bien cocidos 5 minutos antes de lo que indican las recetas de horneado estándar.
- Si los alimentos se hornean durante más de 40 a 45 minutos, el tiempo de horneado se debería reducir un 25%.

## TABLA DE HORNEADO POR CONVECCIÓN

- Reduzca la temperatura de la receta estándar en 25° F (15° C) para el horneado por convección.
- Las temperaturas se han reducido en esta tabla.

ALIMENTO	POSICIÓN DE REJILLA	TEMP. °F (°C) (HORNO PRECALENTADO)	TIEMPO (Min.)
<b>Pastel</b>			
Glaseado	2	325 (165)	16-20
Pastel	1	325 (165)	37-43
Bizcochos	1	325 (165)	25-35
<b>Pay</b>			
2 cortezas, fresco 9"	2	350-400 (175-205)	35-45
2 cortezas. fruta congel. 9"	2	350 (175)	68-78
<b>Galletas</b>			
Azúcar	2	325-350 (165-175)	8-12
Colócate chip	2	325-350 (165-175)	10-15
Brownies	2	325 (165)	25-30
<b>Panes</b>			
Pan de levadura, 9x5 Rollos de levadura	2	350 (175)	15-22
Bollo, Panecillo	2	350-375 (175-190)	10-15
Molletes	2	375 (190)	6-10
	2	400 (205)	13-16
<b>Pizza (Cocción con varias rejillas)</b>			
Congelada	1 y 3	375-425 (190-220)	12-18
Fresca	1 y 3	375-425 (190-220)	8-14

La TEMP. (temperatura) y el TIEMPO de la tabla anterior son los calculados para una corriente de 240 V. Esta tabla sirve solamente de guía. Siga la receta o las instrucciones en el paquete y ajuste la temperatura / tiempo de forma apropiada.

## CONSEJOS Y TÉCNICAS DE HORNEADO

Hornear es cocinar con aire caliente. Tanto el elemento superior como el inferior del horno se encienden para calentar el aire pero no se utiliza el ventilador para hacer circular el horneado.

Siga la receta o las orientaciones de los alimentos convenientes para la temperatura de horneado, el tiempo y la posición de las rejillas. El tiempo de horneado cambiará con la temperatura de los ingredientes y con las dimensiones, la forma y el acabado del molde de horneado.

### DIRECTRICES GENERALES

- Para obtener los mejores resultados hornee los alimentos en una única rejilla con al menos 1" - 1½" (2,5 - 3 cm) espacio entre los moldes y las paredes del horno.
- Use una rejilla cuando selecciona el modo de horneado.
- Controle para que estén cocidos en el menor tiempo.
- Use moldes del metal (con o sin acabado antiadherente), vidrio refractario, vitrocerámica, cerámica u otros utensilios adecuados para el horno.
- Cuando use vidrio refractario, reduzca la temperatura en 25 °F (15 °C) con respecto a la temperatura recomendada.
- Use bandejas de horneado con o sin lados o moldes de charlotas.
- Las cazuelas de metal oscuro o con recubrimiento antiadherente cuecen más rápidamente y los alimentos se doran más. Los moldes aislantes alargarán ligeramente el tiempo de cocción para la mayoría de los alimentos.
- No utilice hojas de aluminio o bandejas de aluminio desechables para cubrir cualquier parte del horno. Las hojas son un excelente aislante de calor y el calor quedará atrapado por debajo. Esto alterará el rendimiento de la cocción y podrá dañar el acabado del horno.
- Evite el uso de las puertas abiertas para apoyar las cazuelas.
- Consulte Solución de problemas para obtener sugerencias para la resolución de hornear y asar problemas.

### TABLA DE COCCIÓN POR HORNEADO

ALIMENTO	POSICIÓN DE REJILLA	TEMP. °F (°C) (HORNO PRECALENTADO)	TIEMPO (Min.)
<b>Pastel</b>			
Glaseado	2	350 (175)	19-22
Pastel	1	350 (175)	40-45
Bizcochos	1	350 (175)	35-39
<b>Pay</b>			
2 cortezas, fresco 9"	2	375-400 (190-205)	45-50
2 cortezas. fruta congel. 9"	2	375 (190)	68-78

<b>Galletas</b>			
Azúcar	2	350-375 (175-190)	8-10
Colócate chip	2	350-375 (175-190)	8-13
Brownies	2	350 (175)	29-36
<b>Panes</b>			
Pan de levadura, 9x5	2	375 (190)	18-22
Rollos de levadura	2	375-400 (190-205)	12-15
Bollo	2	375-400 (190-205)	7-9
Panecillo Molletes	2	425 (220)	15-19

La TEMP. y el TIEMPO de la tabla anterior son los calculados para una corriente de 240 V.

Esta tabla sirve solamente de guía. Siga la receta o las instrucciones en el paquete y ajuste la temperatura / tiempo de forma apropiada.

## CONSEJOS Y TÉCNICAS DEL ASADO POR CONVECCIÓN

- Coloque la rejilla en la posición requerida antes de encender el horno.
- Use el modo de Asado por Convección con la puerta del horno cerrada.
- No precaliente el horno (Esto significa que la indicación "PREHEAT" aparecerá automáticamente cuando se seleccione el modo Asado de convección, pero coloque la comida dentro del horno antes de seleccionar el modo de cocinado.)
- Use un recipiente de 2 piezas. (Si no utiliza dos piezas se puede producir un fuego a partir de la grasa que pueda gotear de la carne.)
- Voltee la carne una vez a mitad del tiempo de cocción recomendado (vea la tabla de asado por convección).

## TABLA DE ASADO POR CONVECCIÓN

ALIMENTO Y GROSOR	POSICIÓN DE REJILLA	POSICIÓN DE ASADO °F ( °C)	TIEMPO LADO 1 (Min.)*	TIEMPO LADO 2 (Min.)*
<b>Carne de res</b>				
Filete (1" o más)				
Vuelta y Vuelta	4	450 (230)	10-12	10-12
Medio	4	450 (230)	15-17	13-15
Bien Cocido	4	450 (230)	16-18	13-15
Hamburguesas (1" o más)				
Medio	4	550 (290)	9-11	5-8
Bien Cocido	4	550 (290)	11-13	8-10
<b>Aves</b>				
Cuartod de Pollo	4	450 (230)	18-20	13-15
Pollo en dos mitades	3	450 (230)	25-27	15-18
Pechuga de Pollo	4	450 (230)	14-16	10-14



<b>Puerco</b>				
Chuletas (1¼" o más)	4	450 (230)	13-15	12-14
Salchicha - fresca	4	450 (230)	4-6	3-5

La TEMP. y el TIEMPO de la tabla anterior son los calculados para una corriente de 240 V.

\* Los tiempos del Asado y Asado por Convección son aproximados y pueden variar ligeramente.

Los tiempos de cocción son indicativos y dependen también del grosor de la carne y de la temperatura inicial antes de cocinarse.

## CONSEJOS Y TÉCNICAS DEL ASADO

- Coloque la rejilla en la posición requerida antes de encender el horno.
- Use el modo de Asado con la puerta del horno cerrada.
- Precalentar el horno durante 5 minutos antes de usarlo.
- Use un recipiente de 2 piezas. (Si no utiliza dos piezas se puede producir un fuego a partir de la grasa que pueda gotear de la carne.)
- Voltee la carne una vez a mitad del tiempo de cocción recomendado (vea la tabla de asado)

### TABLA DE ASADO

ALIMENTO Y GROSOR	POSICIÓN DE REJILLA	POSICIÓN DE ASADO	TIEMPO LADO 1 (Min.)*	TIEMPO LADO 2 (Min.)*
<b>Carne de res</b>				
Filete (1" o más)				
Vuelta y Vuelta	5	L 5	5-7	4-6
Medio	5	L 5	6-8	5-7
Bien Cocido	5	L 5	8-10	7-9
Hamburguesas (1" o más)				
Medio	4	L 5	8-13	11
Bien Cocido	4	L 5	10-15	8-12
<b>Aves</b>				
Pechuga (con hueso)	4	L 4	10-12	8-10
Muslo (muy bien cocido)	4	L 3	28-30	13-15

<b>Puerco</b>				
Chuletas (1")	5	L 5	7-9	5-7
Salchicha - fresca	5	L 5	5-7	3-5
Rebanada de Jamón (½")	5	L 5	4-6	3-5
<b>Mariscos</b>				
Filetes de Pescado, 1" Con mantequilla	4	L 4	10-14	N/A
<b>Cordero</b>				
Chuletas (1")				
Vuelta y Vuelta	5	L5	5-7	4-6
Medio	5	L 5	6-8	4-6
Bien Cocido	5	L 5	7-9	5-7
<b>Pan</b>				
Pan, rebanadas de 1"	4	L 5	2-3	N/A
Pan de ajo, rebanadas de 1"	3	L 5	4-6	

La POSICIÓN DE ASADO y el TIEMPO de la tabla anterior son los calculados para una corriente de 240 V.

\* Los tiempos del Asado y Asado por Convección son aproximados y pueden variar ligeramente.

Los tiempos de cocción son indicativos y dependen también del grosor de la carne y de la temperatura inicial antes de cocinarse.

<b>Pautas e seguir para la temperatura de alimentos de FSIS (Servicio de Inspección y Seguridad de Alimentos USDA)</b>			
140 °F (60 °C)	Jamón, precocido (para recalentar)	165 °F (74 °C)	Relleno (cocido solo o en el ave)
145 °F (63 °C)	Carne fresca de res, ternera, cordero (vuelta y vuelta)		Sobras y guisados
160 °F (71 °C)	Carne molida y mezclas de carne (res, puerco, ternera, cordero)	170 °F (77 °C)	Carne fresca de res, ternera, cordero (bien cocida)
	Carne fresca de res, ternera, cordero (medio)		Pechuga de pollo (aves)
	Carne fresca de puerco (medio)		Carne fresca de puerco (bien cocida)
	Jamón fresco (crudo)	180 °F (82 °C)	Pollo y jamón (entero)
Platillos con huevos	Carne de aves (muslos y alas)		
165 °F (74 °C)	Carne molida y mezclas de carne (pavo, pollo)		Pato y ganso

**NOTA:** Huevos (solos, no utilizados en una receta) – cocer hasta que la yema y la clara estén duras.

## CONSEJOS Y TÉCNICAS DE GRILL CONVECCIÓN

- No precalentar para el asado por convección. (Esto significa que la indicación "PREHEAT" aparecerá automáticamente cuando se seleccione el modo Grill por convección, pero coloque la comida dentro del horno antes de seleccionar el modo de cocción.)
- Cocine con grill en una bandeja baja y sin tapar.
- Cuando se gratinan pollos y pavos enteros, suba las alas hacia atrás y ate fuerte las patas con cuerda de cocina.
- Use el recipiente para asar a la parrilla de 2 piezas para gratinar descubierto. (Si no utiliza dos piezas se puede producir un fuego a partir de la grasa que pueda gotear de la carne.)

### ! ADVERTENCIA



#### Peligro de quemaduras

Use un guante de horno para quitar la sonda de temperatura.

No toque el elemento para asar.

No seguir esta instrucción puede ocasionar quemaduras.

- Use una sonda o un termómetro de carne para determinar la cocción al comprobar la temperatura del interior (véase la Tabla de grill por convección).
- Controle el interior de la temperatura de la carne ave introduciendo un termómetro de carne en otra posición.
- También podría ser necesario cubrir las grandes aves con papel de aluminio (y la fuente de asar) durante una porción del tiempo de asado para evitar que se doren en exceso.
- La temperatura mínima interna que es segura para el relleno en las aves es 74 °C (165 °F).
- Demasiada fuerza con papel de aluminio durante 10 o 15 minutos antes de cortar en el caso de que fuera necesario aumentar la temperatura final de los alimentos de 5° a 10°F (3° a 6°C).
- Consulte Solución de problemas para obtener sugerencias para la resolución de hornear y asar problemas.

## CONSEJOS PARA RECETAS RÁPIDAS Y FÁCILES

### Convierta el HORNEADO estándar en GRILL POR CONVECCIÓN:

- No hay que reducir la temperatura.
- Los asados, los grandes cortes de carne y de ave en general requieren un 10-20% menos de tiempo de cocción. Controle si los alimentos están cocidos antes.
- Los guisos y los asados a la cazuela se hornean cubiertos en el modo de GRILL POR CONVECCIÓN y cuecen aproximadamente en el mismo tiempo.

## TABLA DE GRILL POR CONVECCIÓN

CARNES	PESO lb (kg)	POSICIÓN DE REJILLA	TEMP. HORNO °F (°C)	TIEMPO (Min. per lb)	TEMPERATURA INTERNA °F (°C)
<b>Beef</b>					
Costillas	4-6 (2-3)	2	325 (165)	18-22 20-25	145 (63) vuelta y vuelta 160 (71) medio
Ojo de bife (sin hueso)	4-6 (2-3)	2	325 (165)	18-22 20-25	145 (63) vuelta y vuelta 160 (71) medio
Churrasco, lomo (sin hueso)	3-6 (1,5-3)	2	325 (165)	18-22 20-25	145 (63) vuelta y vuelta 160 (71) medio
Lomo de ternera asado	2-3 (1-1,5)	2	425 (220)	15-20	145 (63) vuelta y vuelta
<b>Puerco</b>					
Lomo asado (con o sin hueso)	5-8 (2,5-4)	2	350 (175)	18-22	160 (71) medio
Hombro	3-6 (1,5-3)	2	350 (175)	20-25	160 (71) medio
<b>Aves</b>					
Pollo Entero sin relleno	3-4 (1,5-2)	2	375 (190)	20-23	180 (82)
Pavo sin ralleno	12-15 (6-7,5)	1	325 (165)	10-14	180 (82)
Pavo sin ralleno	16-20 (8-10)	1	325 (165)	9-11	180 (82)
Pavo sin ralleno	21-25 (10,5- 12,5)	1	325 (165)	6-10	180 (82)
Pechuga Pavo	3-8 (1,5-4)	1	325 (165)	15-20	170 (77)
Codorniz	1 - 1½ (0,5-0,75)	2	350 (175)	45-75 total	180 (82)
<b>Cordero</b>					
Media Pierna	3-4 (1,5-2)	2	325 (165)	20-27 25-32	160 (71) medio 170 (77) bien cocido
Pierna Entera	6-8 (3-4)	1	325 (165)	20-27 25-32	160 (71) medio 170 (77) bien cocido

La TEMP. y el TIEMPO de la tabla anterior son los calculados para una corriente de 240 V.

Los tiempos de cocción son indicativos y dependen también del grosor de la carne y de la temperatura inicial antes de cocinarse.

## CUIDADO Y LIMPIEZA DEL HORNO

### AUTOLIMPIEZA DEL HORNO

# ! ADVERTENCIA



#### Peligro de quemaduras

No toque el horno durante el ciclo de autolimpieza.

Mantenga a los niños alejados del horno durante el ciclo de autolimpieza.

No seguir esta instrucción puede ocasionar quemaduras.

Este horno se caracteriza por una función de Autolimpieza pirolítica que elimina la dificultad y el tiempo utilizado en una limpieza manual del interior del horno. Durante la Autolimpieza el horno usa una temperatura muy alta (aprox. 860 °F/460 °C) para eliminar los residuos de comida y grasa.

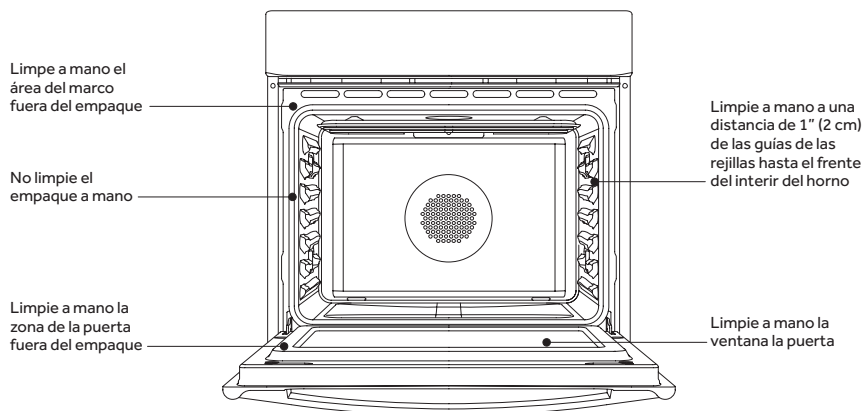
- Es normal ver humo y/o una llama ocasional durante el ciclo de Autolimpieza, dependiendo del contenido y de la cantidad de suciedad que queda en el horno. Si la llama persiste, apague el horno y permita que se enfríe antes de abrir la puerta para limpiar los residuos de comida con un trapo.
- El pestillo de la puerta se activa automáticamente tras seleccionar el ciclo de Autolimpieza. El icono de bloqueo aparecerá en la pantalla. Esto asegura que la puerta no se pueda abrir mientras el interior del horno se encuentra en la temperatura de limpieza.
- La lámpara del horno no funciona durante este modo.
- Durante la Autolimpieza es preciso ventilar bien la cocina para ayudar a eliminar los olores asociados con la Autolimpieza. Los olores disminuirán con el uso.
- El tiempo de Autolimpieza presente dura 1h:30.
- El modo se para automáticamente al final de las horas de limpieza.
- Cuando el calor del horno baja a una temperatura segura, se libere el bloqueo automático de la puerta y esta se puede abrir.

### ANTES DE LA AUTOLIMPIEZA

1. Retire todos los utensilios y recipientes.
2. Retire las rejillas del horno.

**IMPORTANTE:** Si se dejan las rejillas en el horno durante la Autolimpieza perderán su acabado brillante y dejarán de deslizarse suavemente sobre las guías de las rejillas. Vea la Tabla de limpieza para un cuidado apropiado.

3. Limpie cualquier resto y la grasa con toallas de papel. El exceso de grasa provocaría llamas y humos dentro del horno durante la Autolimpieza.
4. Repase la figura de aquí. Algunas zonas del horno se tienen limpiar a mano antes de iniciar este ciclo. No se calientan lo suficiente durante el ciclo de limpieza para quemar los residuos. Use una esponja jabonosa, un raspador de plástico o una esponjilla con detergente S.O.S.®. Limpie a mano el borde de la puerta, el marco delantero y superior hasta 1½ "(2-3 cm) pulgadas por el interior del marco con detergente y agua caliente. No frote el empaque. Limpie a mano la ventana de la puerta del horno. Enjuague a fondo todas las zonas y luego séquelas.
5. Asegúrese de que las lámparas del interior estén apagadas y que las bombillas y la cubierta estén sus lugares.



## CONFIGURACIÓN DEL MODO DE AUTOLIMPIEZA

Antes de utilizar el modo de Autolimpieza, lea atentamente la sección Cuidado y limpieza del horno y siga antes las instrucciones que se muestran en la sección Antes de la Autolimpieza.

### AUTOLIMPIEZA

Girar la perilla hacia la posición correspondiente, después presionar el botón =/- para iniciar el ciclo de limpieza.

El tiempo de autolimpieza del horno se puede fijar con las instrucciones de cocción programada para retrasar el ciclo de autolimpieza.

El tiempo máximo de limpieza permitido es de 3 horas; el mínimo es de 1 hora. El tiempo prefijado es de 1h:30 min; la pantalla del reloj muestra P1:30. Al final de la actividad de autolimpieza, la pantalla muestra P--- constante y A que destella. Los iconos desaparecerán de la pantalla cuando el selector de modo se coloque en la posición OFF (Apagado). La puerta permanece bloqueada hasta que la temperatura del horno alcance un valor por debajo del umbral de seguridad; en ese momento, el control desbloquea la puerta.

El ventilador de enfriamiento comienza a funcionar apenas se selecciona autolimpieza y vuelve a su velocidad más alta cuando se calientan los componentes internos. La temperatura del horno se fija automáticamente en 460 °F (238 °C) a fin de limpiar perfectamente la cavidad.



El control también bloquea la puerta de inmediato para su seguridad debido a que la temperatura del horno será demasiado caliente. El LED del ícono de bloqueo muestra el estado del mecanismo del seguro en cualquier momento.

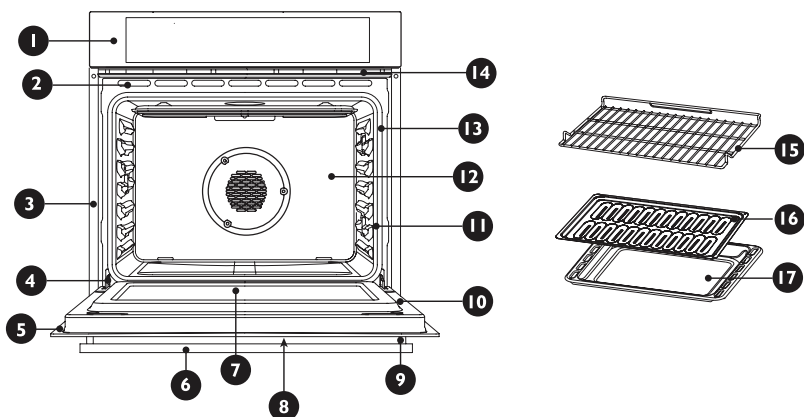
- Puerta desbloqueada, LED de bloqueo apagado.
- Puerta bloqueada, LED de bloqueo siempre encendido.
- El seguro se mueve, transición en curso, el LED de bloqueo destella.

Para volver a utilizar el horno después de la autolimpieza, gire la perilla del modo de horno hacia la posición OFF (Apagado).

## CUIDADO GENERAL DEL HORNO

### CÓMO USAR LA TABLA DE LIMPIEZA

1. Localice el número de la parte que tiene que limpiar en la figura de esta página.
2. Busque el nombre de cada parte en la Tabla de limpieza
3. Haga coincidir la letra con el método de limpieza Phe de la página siguiente.



## TABLA DE LIMPIEZA

Parte		Método de limpieza	Parte		Método de limpieza
		Horno de Acero Inoxidable			Horno de Acero Inoxidable
1	Panel de control	C-G	10	Puerta del horno interior	E
2	Aberturas de refrigeración de la puerta	E	11	Marco delantero del horno	E
3	Moldura lateral	D	12	Cavidad del horno	E
4	Moldura de fondo	D	13	Empaque de la puerta	B
5	Marco de la puerta	E	14	Aberturas de refrigeración del horno	D
6	Agarradera de la puerta	G	15	Rejilla del horno	A
7	Interior de la ventana de la puerta	F	16	Rejilla para recipientes para asado	E
8	Frente de la puerta	C&G	17	Recipiente para asado	E
9	Tapa terminal	D			

Para el método de limpieza consulte la página siguiente.

## ACABADOS DEL HORNO/MÉTODOS DE LIMPIEZA

El horno completo se tiene que limpiar de manera segura con una esponja jabonosa, enjuagar y secar. Si no se consiguen eliminar residuos persistentes, siga los métodos de limpieza que se muestran aquí abajo.

- Use siempre el limpiador más suave para hacer el trabajo.
- Frote el acabado del metal en la dirección del granulado.
- Use trapos limpios y suaves, esponjas o toallas de papel.
- Enjuague a fondo con el mínimo de agua posible para que no gotee agua en el interior de las ranuras.
- Seque para evitar que se formen alones.



Los limpiadores que se enumeran aquí abajo indican el tipo de productos que hay que usar y no se recomiendan. Use todos los productos según las instrucciones del paquete.

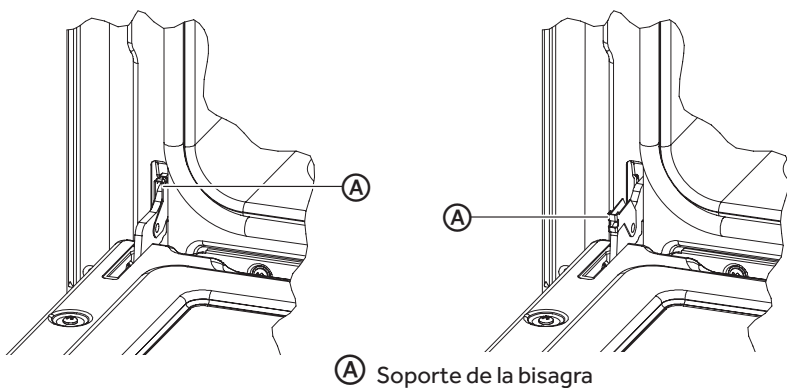
Parte	Método de limpieza
<b>A</b> Cromo placado	<p>Lave con agua jabonosa caliente. O frote suavemente con esponjillas con Soft Scrub<sup>®</sup>, Bon-Ami<sup>®</sup>, Comet<sup>®</sup>, Ajax<sup>®</sup>, Brillo<sup>®</sup> o S.O.S.<sup>®</sup> directamente. Se puede usar los limpiadores de horno Easy Off<sup>®</sup> o Dow<sup>®</sup> (fórmula de horno en frío), pero podrían provocar oscurecimientos y decoloración.</p> <p>Se pueden limpiar las rejillas en el horno durante el modo de Autolimpieza, pero perderán su acabado brillante y cambiar permanentemente a un gris metálico.</p>
<b>B</b> Fibra de vidrio	NO LIMPIE EL EMPAQUE A MANO.
<b>C</b> Cristal	Eche Spary Windex <sup>®</sup> o Glass Plus en una tela primero, y luego límpielo. Use Fantastik <sup>®</sup> o Formula 409 <sup>®</sup> para quitar salpicaduras grasientas.
<b>D</b> Pintura	Limpie con agua jabonosa caliente o aplique Fantastik <sup>®</sup> o Formula 409 <sup>®</sup> primero a una esponja limpia o una toalla de papel y limpie. Evite el uso de limpiadores en polvo y esponjillas de fibra metálica y detergentes para hornos.
<b>E</b> Porcelana	Limpie de inmediato derrames ácidos como jugos de fruta, leche y jitomate con una toalla seca. No use una esponja/toalla húmeda sobre porcelana caliente. Cuando ya está fría, limpie con agua jabonosa caliente o aplique Bon-Ami <sup>®</sup> Soft Scrub <sup>®</sup> a una esponja húmeda. Enjuague y seque. Para manchas resistentes, use suavemente esponjillas con Brillo <sup>®</sup> o S.O.S. <sup>®</sup> . Es normal que la porcelana se agriete (líneas finas) con el tiempo debido a la exposición al calor y a los residuos de comida.
<b>F</b> Cristal reflectante	Limpie con agua caliente jabonosa y una esponja o un estropajo de plástico. Para las manchas de agua, use vinagre, Windex <sup>®</sup> , amoníaco o Bon-Ami <sup>®</sup> . NO USE ABRASIVOS DUROS
<b>G</b> Acero inoxidable	<p>Siempre limpie con el grano. Limpie con una esponja jabonosa luego enjuague y seque o limpie con Fantastik<sup>®</sup> o Formula 409<sup>®</sup> aplicado a una toalla de papel. Proteja y limpie con Stainless Steel Magic<sup>®</sup> y un trapo suave. Quite</p> <p>las manchas de agua con un trapo humedecido con vinagre blanco. Use Bar Keeper's Friend<sup>®</sup> para quitar la decoloración térmica.</p>

# QUITAR LA PUERTA DEL HORNO

## PARA QUITAR LA PUERTA

### IMPORTANTE:

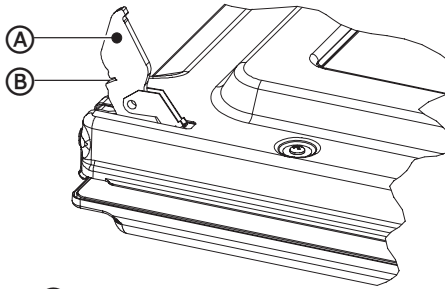
- Asegúrese de que el horno esté frío y de que se haya apagado la corriente antes de quitarla puerta.
  - La puerta del horno es pesada y frágil. Use ambas manos para quitar la puerta. La parte frontal de la puerta es de vidrio. Maneje con cuidado para evitar que se rompa.
  - Agarre solo los costados de la puerta del horno. No use la agarradera ya que podría girar en su mano y causar daños o heridas.
1. Abra completamente la puerta.
  2. Levante el soporte de la bisagra.



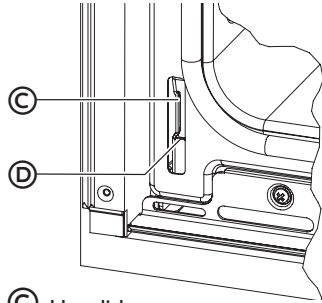
3. Sujete la puerta con firmeza en ambos lados con las dos manos y cierre la puerta.
4. Sujete con firmeza; la puerta es pesada.
5. Coloque la puerta en un lugar adecuado.

## PARA VOLVER A COLOCAR LA PUERTA

1. Introduzca los brazos superiores de ambas bisagras en las ranuras. Las hendiduras deben quedar enganchadas en los bordes.



- (A) Brazos superiores
- (B) Ranuras



- (C) Hendiduras
- (D) Bordes

2. Mueva el soporte de la bisagra hacia atrás y abajo hasta su posición.
3. Cierre y abra lentamente la puerta para asegurarse de que se ha colocado de forma correcta y firme.

## CAMBIAR UNA LÁMPARA DEL HORNO

### ! ADVERTENCIA



#### Peligro de choque eléctrico

Asegúrese de que el horno y las lámparas estén frías y la corriente está apagada antes de remplazar la(s) bombilla(s).

Las lentes tienen que estar montadas cuando se usa el horno. Las lentes sirven para evitar que se rompan las bombillas.

Las lentes son de vidrio. Manéjelas con cuidado para evitar que se rompan.

No seguir esta instrucción puede resultar en choques eléctricos, cortaduras, quemaduras o la muerte.

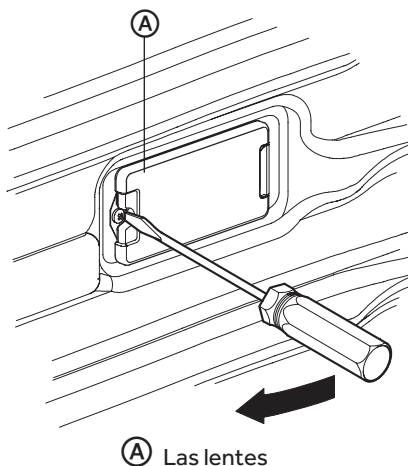
- Todos los hornos están equipados con luces halógenas ubicadas las paredes laterales del horno.
- Las luces se enciende cuando las puertas se abren o cuando se encuentra en el ciclo de cocción.

- Las lámparas del horno no están encendidas durante la AUTOLIMPIEZA.
- Cada lámpara consiste en unas lentes removibles, una bombilla y un casquillo que está fijado en su lugar.
- La sustitución de la bombilla se considera un mantenimiento de rutina.

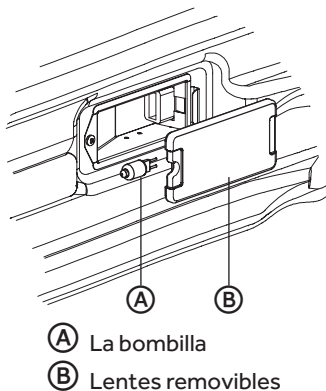
## PARA REMPLAZAR LA BOMBILLA

Tipo de bombilla halógena: 120 V, 25 W (G9).

1. Asegúrese de que el horno esté apagado y frío.
2. Apague la corriente general (caja de fusibles o cortocircuito).
3. Abra el chasquido-adelante la lente pegando una punta de chófer de tornillo cuidadosamente bajo el poseedor de metal de la lente al lado de una cabeza del tornillo. Refiérase a la ilustración para la situación para insertar la punta de chófer de tornillo y una dirección para mover al chófer. Destornillando el tornillo no es necesario.



4. Extraiga la bombilla de su casquillo.



5. Sustituya la bombilla con otra. Evite tocar la bombilla con los dedos, porque la grasa de las manos podría dañar la bombilla cuando se calienta.

**NOTA:** La bombilla es halógena: utilice una del mismo tipo y compruebe los voltios y vatios.

6. Enrosque las lentes.
7. Restablezca la corriente general (caja de fusibles o cortocircuito).

## SOLUCIÓN DE PROBLEMAS

### RESOLUCIÓN DE LOS PROBLEMAS DE HORNEADO

Tanto con el Horneado como con el Horneado de convección, los resultados escasos pueden ocurrir por muchas razones además de por un mal funcionamiento del horno. Controle la tabla para las causas de los problemas más comunes. Debido a que el tamaño, la forma y el material de los utensilios de hornear tienen un efecto directo sobre los resultados del horneado, la mejor solución podría ser remplazar los viejos utensilios de hornear que se han oscurecido y deformado con el tiempo y el uso. Revise también la tabla de Horneado de la posición de la rejilla y el tiempo de hornear.

Problema de horneado	Causa
Los alimentos se doran poco uniformes	<ul style="list-style-type: none"><li>• El horno no está precalentado</li><li>• Papel de aluminio en la rejilla o fondo del horno</li><li>• Utensilios de hornear son demasiado grandes</li><li>• Los moldes tienen contacto o tocan la pared</li></ul>
Los alimentos quedan muy	<ul style="list-style-type: none"><li>• El horno no está precalentado</li><li>• Se usa un molde de vidrio, mate o de metal oscuro</li><li>• Posición incorrecta de la rejilla</li><li>• Los moldes tienen contacto o tocan la pared</li></ul>
Los alimentos quedan muy secos o muy encogidos	<ul style="list-style-type: none"><li>• Temperatura del horno muy alta</li><li>• Tiempo de hornear muy largo</li><li>• Se abrió la puerta del horno frecuentemente</li><li>• El molde es demasiado grande</li></ul>
Los alimentos se hornean o asan muy lentamente	<ul style="list-style-type: none"><li>• Temperatura del horno muy baja</li><li>• El horno no está precalentado</li><li>• Se abrió la puerta del horno frecuentemente</li><li>• Muy sellado con papel de aluminio</li><li>• El molde es demasiado pequeño</li></ul>

Las costras de pays no se doran en el fondo o quedan muy empapadas.	<ul style="list-style-type: none"> <li>• Tiempo de hornear insuficiente</li> <li>• Se usan moldes de acero brillosos</li> <li>• Posición incorrecta de la rejilla</li> <li>• Temperatura del horno muy baja</li> </ul>
Los pasteles no se doran y quedan planos, tal vez sin terminar por adentro	<ul style="list-style-type: none"> <li>• Temperatura del horno muy baja</li> <li>• Tiempo de hornear incorrecto</li> <li>• Se probó el pastel antes de tiempo</li> <li>• Se abrió la puerta del horno frecuentemente</li> <li>• El molde es demasiado grande</li> </ul>
Los pasteles quedan elevados en el centro con grietas en la parte superior	<ul style="list-style-type: none"> <li>• Temperatura del horno muy alta</li> <li>• Tiempo de hornear muy largo</li> <li>• Los moldes tienen contacto o tocan la pared</li> <li>• Posición incorrecta de la rejilla</li> <li>• Pan size too small</li> <li>• El molde es demasiado pequeño</li> </ul>
Los bordes de la costra de pays quedan muy dorados	<ul style="list-style-type: none"> <li>• Temperatura del horno muy alta</li> <li>• Los bordes de la costra son muy delgados</li> </ul>

## RESOLUCIÓN DE LOS PROBLEMAS DE FUNCIONAMIENTO

Antes de llamar y solicitar el servicio, controle lo siguiente para evitar cargas de servicio innecesarias.

Oven Problem	Problem Solving Steps
E008 aparecen en la pantalla.	Ocurrió un problema con el bloqueo. Apague la corriente y vuelva a encenderla después de unos segundos. El horno debe realizar una autoprueba de bloqueo. Si la condición sigue igual, anote el número del código y llame a un centro de servicio autorizado.
Otro error_ E aparece en la pantalla	Apague la corriente y vuelva a encenderla después de unos segundos. El horno debe realizar una autoprueba de bloqueo. Si la condición sigue igual, anote el número del código y llame a un centro de servicio autorizado.
La pantalla del horno se queda apagado	Apague la corriente general (caja de fusibles o cortocircuito). Vuelva a conectar el circuito. Si la condición sigue igual, llame el centro de servicio autorizado.
El ventilador de enfriamiento sigue funcionando después de apagar el horno	El ventilador se apaga automáticamente cuando los componentes electrónicos se hayan enfriado suficientemente.

La puerta del horno está cerrada y no se abre, aún estando fría	Apague el horno en el cortacircuito y espere unos segundos. Vuelva a conectar el circuito. El horno debe reiniciarse y se podrá operar.
El horno no calienta	Revise el cortacircuito o la caja de fusibles en su casa. Asegúrese de que hay una alimentación eléctrica correcta para el horno. Asegúrese de haber seleccionado la temperatura del horno.
El horno no cocina de un modo uniforme	Revise la calibración del horno. Ajuste la calibración si es necesario (vea Compensación de la Temperatura del Horno). Consulte las tablas de cocinar para las posiciones recomendadas de rejillas. Siempre reduzca la temperatura de recetas 25 °F (15 °C) cuando hornea con el modo de horneado de convección.
La temperatura del horno está muy alta o muy baja	Se debe ajustar el termostato del horno. Vea Calibrar la Temperatura del Horno.
Las luces del horno no funcionan correctamente	Reemplace o reinserte el foco si está flojo o defectuoso. La bombilla se puede quemar si lo toca con los dedos.
La luz del horno se queda encendida	Compruebe si hay obstrucciones en la puerta del horno. Compruebe si la bisagra está doblada o el cerrojo de la puerta está roto.
No se puede quitar la cubierta del lente	Puede haber sólidos acumulados alrededor de la cubierta. Limpie el área del lente con una toalla seca y limpia antes de tratar de quitar la cubierta de la lente.
El horno no se autolimpia bien	Permita que el horno se enfríe antes de ejecutar la autolimpieza. Siempre elimine suciedades sueltas o derrames pesados antes de la autolimpieza. Si el horno está muy sucio, configure una autolimpieza de cuatro horas. Vea Autolimpieza del Horno.
El reloj y cronómetro no funcionan bien	Asegúrese de que la corriente eléctrica sea correcta para el horno. Vea las secciones sobre Reloj y Temporizador.
Hay mucha humedad	Cuando utiliza el modo de hornear debe precalentar el horno. El horneado de convección elimina cualquier humedad en el horno (esta es una de las ventajas de la convección).
Astillas de porcelana	Al quitar y reemplazar las rejillas del horno, siempre debe inclinarlas hacia arriba y no forzarlas para evitar astillar la porcelana.

**SI NECESITA MÁS AYUDA, VISITE [HAIER.COM](http://HAIER.COM) O COMUNÍQUESE CON LA LÍNEA DE AYUDA AL CONSUMIDOR LLAMANDO AL 1-877-377-3639.**

# GARANTÍA LIMITADA

## SERVICIO EN EL HOGAR

### GARANTÍA COMPLETA POR DOS AÑOS

Durante 24 meses a partir de la fecha de compra original en la tienda, Haier reparará o reemplazará cualquier pieza del aparato sin costo, incluyendo la mano de obra, si la misma falla debido a defectos en los materiales o en la mano de obra.

Haier puede reemplazar o reparar, a su sola discreción, cualquier pieza, subsistema, incluso el producto entero.

El producto debe ser accesible, sin inconvenientes, e instalarse de forma adecuada para recibir el servicio técnico de reparación por parte de la garantía.

### GARANTÍA LIMITADA

**NOTA:** Esta garantía comienza en la fecha de compra de este producto, y el recibo original deberá presentarse al representante autorizado de servicio antes de hacerse las reparaciones bajo la garantía.

**Excepciones:** Garantía uso comercial

**90 días en la mano de obra a partir de la fecha de compra original**

**90 días en las piezas a partir de la fecha de compra original**

**No es aplicable ninguna otra garantía.**

### PARA OBTENER SERVICIO BAJO LA GARANTÍA

Póngase en contacto con el centro de servicio autorizado más cercano a su localidad. Todo servicio deberá ser realizado por un centro de servicio autorizado por Haier. Para obtener el nombre y el número de teléfono del centro de servicio autorizado más cercano, llame al 1-877-337-3639.

Antes de llamar, tenga a mano la siguiente información:

Número de modelo y de serie del aparato.

El nombre y la dirección del distribuidor en donde compró la unidad y la fecha de compra.

Una descripción clara del problema.

Un comprobante de compra (recibo de compra).

**Esta garantía cubre servicios para electrodomésticos dentro de los Estados Unidos continental y Canadá y donde esté disponible en Alaska, Hawaii y Puerto Rico.**

**Lo que no está cubierto bajo esta garantía:**

Reemplazo o reparación de fusibles domésticos, cortacircuitos, cableado o plomería.

Un producto cuyo número de serie original haya sido removido o alterado.

Cualquier cargo por servicio que no haya sido identificado específicamente como servicio normal, como puede ser el área o las horas de servicio.

Reemplazo de los focos.

Daños a la ropa.

Daños ocurridos durante el transporte.

Daños ocasionados por la instalación o el mantenimiento inadecuados.

Daños por el uso incorrecto, abuso, accidente, incendio, inundación o fenómenos de la naturaleza.

Daños debidos al servicio efectuado por un distribuidor o centro de servicio que sea diferente del autorizado por Haier.

Daños ocasionados por la corriente, el voltaje o el suministro eléctrico incorrectos.

Daños que resulten de cualquier modificación hecha en el producto, alteración o ajustes no autorizados por Haier.

Ajuste de los controles manejados por el cliente según han sido identificados en el manual del propietario.

Mangueras, perillas, bandejas de pelusa y todos los otros aditamentos, accesorios y piezas desechables.

Cargos por mano de obra, transporte para el servicio y envío para la remoción y el reemplazo de las piezas defectuosas que se efectúen después del período inicial de 24 meses.

Daños ocasionados por un uso diferente al doméstico normal.

Cualquier gasto de transporte y de envío.

**ESTA GARANTÍA LIMITADA REEMPLAZA TODAS LAS OTRAS GARANTÍAS, EXPRESAS O IMPLÍCITAS QUE INCLUYAN, ENTRE OTRAS, LAS GARANTÍAS DE COMERCIABILIDAD O DE CAPACIDAD PARA UN PROPOSITO EN PARTICULAR**

El recurso provisto en esta garantía es exclusivo y está otorgado en lugar de cualquier otro recurso.

Esta garantía no cubre daños incidentales o consecuentes, de modo que las limitaciones indicadas anteriormente pueden no aplicarse en su caso. Algunos estados no permiten las limitaciones acerca de cuánto tiempo dura una garantía implícita, de modo que las limitaciones arriba indicadas quizás no le correspondan.

Esta garantía le otorga derechos legales específicos, y es posible que usted tenga otros derechos, los cuales varían de un estado a otro.

Haier America  
Wayne, NJ 07470









# IMPORTANT

Do Not Return This Product To The Store  
If you have a problem with this product, please contact the  
"Haier Customer Satisfaction Center" at  
1-877-337-3639.

DATED PROOF OF PURCHASE, MODEL #, AND SERIAL #  
REQUIRED FOR WARRANTY SERVICE

# IMPORTANT

Ne pas Réexpédier ce Produit au Magasin  
Pour tout problème concernant ce produit, veuillez contacter  
le service des consommateurs "Haier Customer Satisfaction Center" au  
1-877-337-3639.

UNE PREUVE D'ACHAT DATEE EST REQUISE POUR BENEFICIER DE LA GARANTIE.

# IMPORTANTE

No regrese este producto a la tienda  
Si tiene algún problema con este producto, por favor contacte el  
"Centro de Servicio al Consumidor de Haier" al  
1-877-337-3639 (Válido solo en E.U.A).  
NECESITA UNA PRUEBA DE DE COMPRA FECHADA, NÚMERO DE MODELO  
Y DE SERIE PARA EL SERVICIO DE LA GARANTÍA

Made in Italy  
Fabriqué en Italie  
Hecho en Italia

# Haier

Haier America  
Wayne, NJ 07470