

# Haier

User Manual  
Guide de l'utilisateur  
Manual del usuario  
**HDBL655AFS**  
**HDBL655AFW**  
**HDBL655AFB**

**24" Built-In Dishwasher**

**Lave-Vaisselle Incorpore 24"**

**Lavavajillas Empotrado 24"**



Part # 00XXXXXXXXX



# TABLE OF CONTENTS

<b>DISHWASHER SAFETY</b> .....	<b>2</b>
<b>LOCATION REQUIREMENTS</b> .....	<b>5</b>
<b>ELECTRICAL REQUIREMENTS</b> .....	<b>6</b>
<b>WATER SUPPLY REQUIREMENTS</b> .....	<b>6</b>
<b>PARTS AND FEATURES</b> .....	<b>7</b>
Filter System .....	8
Sensor Wash System.....	8
<b>START UP GUIDE</b> .....	<b>8</b>
How Your Dishwasher Cleans .....	8
Using Your New Dishwasher.....	9
<b>CONTROLS</b> .....	<b>9</b>
Cycle Charts.....	12
<b>DISHWASHER LOADING</b> .....	<b>14</b>
Loading Upper Rack.....	16
Loading Lower Rack.....	17
<b>DISHWASHER USE</b> .....	<b>20</b>
Proper Use of Detergent.....	20
Proper use of Rinse Aid.....	22
Washing Special Items.....	23
<b>DISHWASHER CARE</b> .....	<b>24</b>
Cleaning .....	24
Storing.....	25
<b>TROUBLESHOOTING</b> .....	<b>26</b>
Error Codes .....	31
<b>LIMITED WARRANTY</b> .....	<b>32</b>

## RECORD KEEPING

Thank you for purchasing this Haier product. This user manual will help you get the best performance from your new dishwasher.

For future reference, record the model and serial number located on the inside frame of the dishwasher, and the date of purchase.

Staple your proof of purchase to this manual to aid in obtaining warranty service if needed.

\_\_\_\_\_

Model number

\_\_\_\_\_

Serial number

\_\_\_\_\_

Date of purchase

## DISHWASHER SAFETY

### Your safety and the safety of others are very important.

We have provided many important safety messages in this manual and on your appliance. Always read and obey all safety messages.



This is the safety alert symbol.

This symbol alerts you to potential hazards that can kill or hurt you and others. All safety messages will follow the safety alert symbol and either the word "DANGER," "WARNING" or "CAUTION."

These words mean:



An imminently hazardous situation. You could be killed or seriously injured if you don't immediately follow instructions.



A potentially hazardous situation which, if not avoided, could result in death or serious bodily injury.



A potentially hazardous situation which, if not avoided, may result in moderate or minor injury.

All safety messages will tell you what the potential hazard is, tell you how to reduce the chance of injury, and tell you what can happen if the instructions are not followed.

# IMPORTANT SAFETY INSTRUCTIONS

**WARNING:** To reduce the risk of fire, electrical shock, injury to persons, or damage when using the dishwasher, follow basic precautions, including the following:

- Certified residential dishwashers are not intended for licensed food establishments.
- Use the dishwasher only for its intended function.
- Use only detergents or rinse agents recommended for use in a dishwasher, and keep them out of the reach of children.
- When loading items to be washed:
  - 1) Locate sharp items so that they are not likely to damage the door seal;
  - 2) Load sharp knives with the handles up to reduce the risk of cut-type injuries.
- Do not wash plastic items unless they are marked "dishwasher safe" or the equivalent. For plastic items not so marked, check the manufacturer's recommendations.
- If the dishwasher drains into a food disposer, ensure disposer is completely empty before running the dishwasher.
- Do not tamper with or override controls and interlocks.
- Do not touch the heating element during or immediately after use.
- Do not operate the dishwasher unless all enclosure panels are properly in place.
- Do not tamper with controls.
- Do not abuse, sit on, or stand on the door, lid, or dish racks of the dishwasher.
- To reduce the risk of injury, do not allow children to play in or on the dishwasher.
- Under certain conditions, hydrogen gas may be produced in a hot water system that has not been used for two weeks or more. **HYDROGEN GAS IS EXPLOSIVE.** If the hot water system has not been used for such a period, before using the dishwasher turn on all hot water faucets and let the water flow from each for several minutes. This will release any accumulated hydrogen gas. As the gas is flammable, do not smoke or use an open flame during this time.
- Do not store or use combustible materials, gasoline or other flammable vapors and liquids in the vicinity of this or any other appliance.

## IMPORTANT SAFETY INSTRUCTIONS

- Do not use the dishwasher if it has a damaged power line, or plug. Do not plug the dishwasher into a damaged outlet.
- Do not use an extension cord.
- When disposing an old dishwasher, remove the door from the washing compartment. This will reduce the possibility of danger to children.

## READ AND SAVE THESE INSTRUCTIONS

### GROUNDING INSTRUCTIONS

#### **For a grounded, cord-connected dishwasher:**

The dishwasher must be grounded. In the event of a malfunction or breakdown, grounding will reduce the risk of electric shock by providing a path of least resistance for electric current. If the dishwasher is to be connected with a power cord the cord must have an equipment grounding conductor and a grounding plug. The plug must be plugged into an appropriate outlet that is installed and grounded in accordance with all local codes and ordinances.

**WARNING:** Improper connection of the equipment-grounding conductor can result in a risk of electric shock.

Check with a qualified electrician or service representative if you are in doubt whether the dishwasher is properly grounded. Do not modify the plug provided with the dishwasher; if it will not fit the outlet, have a proper outlet installed by a qualified electrician.

#### **For a permanently connected dishwasher:**

The dishwasher must be connected to a grounded metal, permanent wiring system, or an equipment-grounding conductor must be run with the circuit conductors and connected to the equipment-grounding terminal or lead on the dishwasher.

### SAVE THESE INSTRUCTIONS

## **⚠️ WARNING**



### **Tip Over Hazard**

Do not use dishwasher until completely installed.

Do not push down on open door.

Failure to follow these instructions can result in serious injury or cuts.

State of California Proposition 65 Warnings:

**WARNING:** This product contains one or more chemicals known to the State of California to cause cancer.

**WARNING:** This product contains one or more chemicals known to the State of California to cause birth defects or other reproductive harm.

## **⚠️ WARNING**

### **Suffocation Hazard**

Before you throw away your old appliance, remove the door or lid so that children cannot hide or get trapped inside your old appliance.

Failure to follow these instructions can result in death or brain damage.

## **LOCATION REQUIREMENTS**

- Install where dishwasher is protected from the elements. Protect against freezing to avoid possible rupture of fill valve. Such ruptures are not covered by the warranty. See "Storing" in the "Dishwasher Care" section for winter storage information.
- Install and level dishwasher on a floor that will hold the weight and in an area suitable for its size and use.

## ELECTRICAL REQUIREMENTS

### **⚠ WARNING**



#### **Electrical Shock Hazard**

Electrically ground dishwasher.

Connect ground wire to green ground connector in terminal box.

Do not use an extension cord.

Failure to follow these instructions can result in death, fire, or electrical shock.

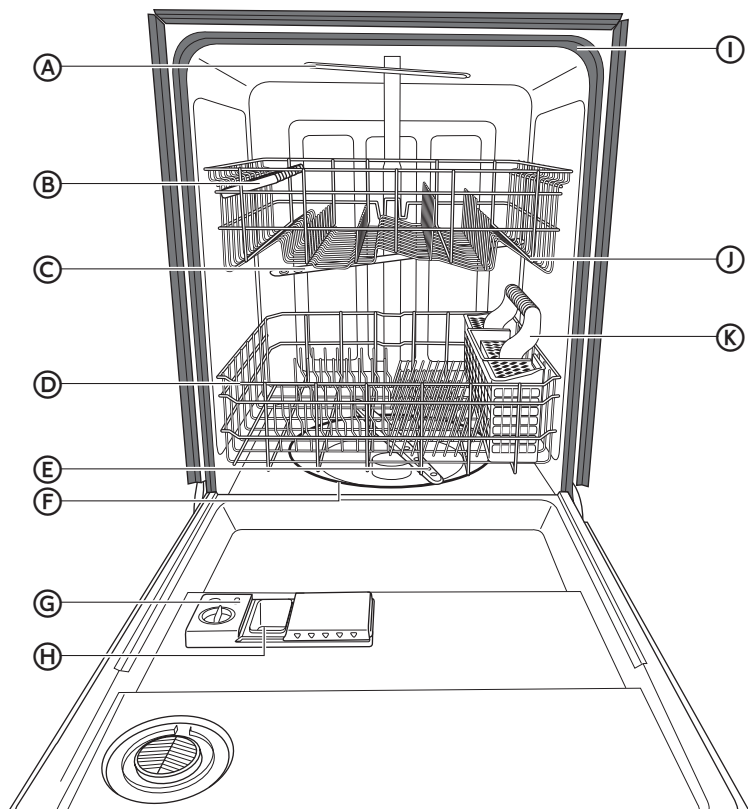
This dishwasher is designed for operation on an adequately wired individual 120 V, 60 Hz, 15- or 20-amp fused electrical supply with copper wire only. Time-delay fuse or circuit breaker recommended, and provide a separate circuit serving only this appliance. Outlet should be placed in adjacent cabinet.

## WATER SUPPLY REQUIREMENTS

The water supply temperature should be 120°F to 150°F (49°C to 66°C).



## PARTS AND FEATURES

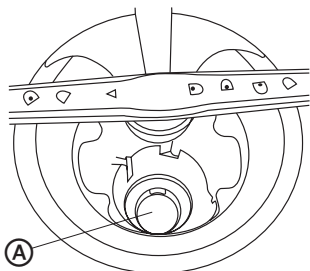


- |                           |  |
|---------------------------|--|
| <b>A</b> Upper Spray Arm  | <b>G</b> Rinse Aid Dispenser           |
| <b>B</b> Cup Shelf        | <b>H</b> Detergent Dispenser           |
| <b>C</b> Middle Spray Arm | <b>I</b> Tub Gasket                    |
| <b>D</b> Bottom Spray Arm | <b>J</b> Adjustable Upper Rack         |
| <b>E</b> Bottom Rack      | <b>K</b> Three Piece Silverware Basket |
| <b>F</b> Heating Element  |  |

SPECIFICATIONS	
Capacity:	14 Place Settings
Dimensions (WxDxH):	23 $\frac{7}{8}$ " x 25 $\frac{9}{16}$ " x 33 $\frac{3}{4}$ " (606 x 650 x 857 mm)
Weight Unpacked:	94 lb (42.5 kg)
Power Supply:	120 volts, 60 Hz
Rated Power Usage:	Wash motor 50 W Heater 840 W
Water Feed Pressure:	20 ~ 120 psi (138 ~ 828 kPa)

## FILTER SYSTEM

Your dishwasher has a multiple filter system. In the system there are three filters, a Coarse filter designed to collect large items such as toothpicks, a Fine filter designed to collect corn, beans etc. and a Micro filter designed to collect very small particles. It then separates soiled water from clean water in different chambers allowing your dishwasher to perform better while using less water and energy.



(A) Filter Location

## SENSOR WASH SYSTEM

Your dishwasher has a food soil sensing system. When a partial load of lightly soiled dishes is placed in the dishwasher, a wash cycle similar to a short wash will automatically be activated. When a full load of heavily soiled dishes is placed in the unit, a heavy wash cycle will automatically be activated. Your dishwasher can determine the type of cycle required to clean the dishes and will clean more efficiently every time.

## START UP GUIDE

Before using your dishwasher, remove all packaging materials. Read this entire Use and Care Guide. You will find important safety information and useful operating tips.

## HOW YOUR DISHWASHER CLEANS

Your dishwasher cleans by spraying a mixture of hot water and detergent through the spray arms against soiled surfaces.

The dishwasher fills with water covering the filter area. Water is then pumped through the multiple filter and spray arms. Separated soil particles go down the drain as the water is pumped out and replaced with clean water.

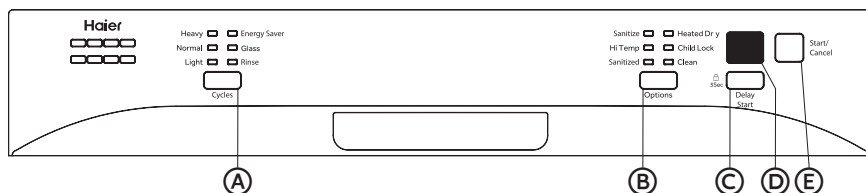
If the Sensor Wash system is activated, the number of water fills may vary with the cycle being used.

## USING YOUR NEW DISHWASHER

1. Load dishwasher. See "Dishwasher Loading."
2. Add detergent . See "Proper Use of Detergent."
3. Add rinse aid. See "Proper Use of Rinse Aid."
4. Close door firmly to latch.
5. Select desired CYCLE. See "Cycle Charts." The indicator light next to the Cycle will blink when selected.
6. Select desired OPTIONS. See "Controls." The indicator light next to the Option will illuminate when selected.
7. Turn on the hot water faucet nearest the dishwasher until water is hot. Turn water off.
8. To start, press the Start / Cancel button.

**NOTE:** The dishwasher is programmed to remember the last cycle so you do not have to reset each time. To start the dishwasher using the same cycle and options selected on the previous wash, just press the Start/Cancel button.

## CONTROLS



### A CYCLES

Press the Cycles button to toggle among the wash cycles. The light next to the cycle illuminates to indicate the selected cycle.

#### HEAVY

This cycle is for hard to clean, heavily soiled dishes, pots and pans.

#### NORMAL

This cycle is for moderately soiled dinner dishes and silverware.

#### LIGHT

This cycle is for lightly soiled or rinsed dishes and silverware.

#### ENERGY SAVER

This cycle is for lightly soiled or rinsed dishes and silverware.

**GLASS**

This cycle is for lightly soiled glassware.

**RINSE**

This cycle is for rinsing dishes or glasses. This cycle is only a rinse that keeps food from drying on your dishes and reduces odor buildup in your dishwasher until you are ready to wash a full load. Do not use detergent.

**Ⓑ OPTIONS**

Press the Options button to toggle among the options. The light next to the option illuminates to indicate the selected cycle.

**NOTE:** The Clean indicator light illuminates to indicate the end of the wash cycle. The light will turn off after the door has been unlocked for 30 seconds.

**SANITIZE**

**WARNING:** Only sanitizing cycles have been designed to meet the requirements of 6 for soil removal and sanitization efficacy. There is no intention, either directly or indirectly, that all cycles on a certified machine have passed the sanitization performance test.

The sanitize option sanitizes dishes and glassware in accordance with NSF International NSF/ANSI Standard 184 for Residential Dishwashers. Certified residential dishwashers are not intended for use in licensed food establishments.

This option is available for all cycles except except Glass and Rinse.

When the Sanitize option is selected, the water temperature will reach 158°F (70°C) maximum.

The Sanitized indicator light illuminates to indicate when the Wash cycle with the Sanitize option is completed. The light will turn off after the door has been unlocked for 30 seconds.

**NOTE:** It is possible that the water will not reach 158°F (70°C) in the Sanitize mode, if the temperature of the incoming hot water is not the minimum requirement of 120°F (49°C).

**HI TEMP**

This option is available for all cycles except except Glass and Rinse.

When the Hi Temp option is selected, the water temperature will be maintained at 140°F (60°C) maximum.

**HEATED DRY**

This option is available for all cycles except Rinse.

When the Heated Dry option is selected, the heater will work during the drying process.

## CHILD LOCK

You can lock all controls to avoid unintentionally changing the dishwasher cycle or starting the dishwasher. The light next to Child Lock will illuminate to indicate that Child Lock is activated and the Control panel is locked.

- Press and hold the Delay Start button for 3 seconds to Lock/Unlock the control panel.

## Ⓒ DELAY START

To delay the start of a selected cycle, press the Delay Start button until the desired delay time shows in the LED display window. You can delay the start of your dishwasher from 1 to 24 hours. To cancel the Delay Start option, and start the wash cycle during the delay period, press the Start/Cancel button. The selected cycle will begin immediately.

## Ⓓ LED DISPLAY WINDOW

Displays the Time Remaining in the wash cycle, Delay Hours, and Error Codes.

### Time Remaining

Time remaining in a cycle will show hours and minutes alternately (1H-2H or 0-59).

**NOTE:** The time remaining could increase or decrease by several minutes. This means the Smart Sensor has checked the soil level and determined whether additional water fills are needed or if the programmed number of water fills can be reduced.

### Delay Hours (1 to 24)

If the Delay Start option is selected, the selected time shows in the display window. If the cycle is running, the time remaining shows in the display.

### CL

"CL" will appear when the Start/Cancel button is pressed. "CL" Flashes if the door is opened during a wash cycle. Close the dishwasher door to begin or continue a wash cycle.

### Error Indicator

In situations, which are critical to dishwasher function and safe operation, the control will shut down and indicate an Error code (Er) in the LED display window. See "Error Codes" in the Troubleshooting section. If an Er code is displayed, contact Service for assistance with troubleshooting the problem, or for help locating an authorized service technician.

## Ⓔ START/CANCEL

**Start** - Firmly close the door. Select the desired wash cycle and options. The indicator light next to the cycle and options selected will be lit when activated. Press the Start/Cancel button once.

**Pause** - To pause or stop the dishwasher during a cycle, open the door slowly allowing the hot steam to escape. The dishwasher will stop. Check the detergent dispenser. If the main wash section of the detergent dispenser is still closed, you can add items.

**Cancel** - To cancel a cycle when the dishwasher is running, press the Start/Cancel button once. The dishwasher will start a 60 second drain, and then shut off. At the end of the drain, you can select the desired wash cycle and restart.

## CYCLE CHARTS

Select the wash cycle and options desired. Unless you select a delay wash, the dishwasher starts filling once the door is closed and you press the Start/Cancel button. After filling, and a brief wash period, the machine will pause for a 5 minute energy saving soak interval. During this time, dried and baked on soil is softened for easier removal later in the cycle. You can select options as the machine is filling.

Cycle times are approximate and will vary with options selected. Hot water is necessary to activate dishwasher detergent and melt fatty food soils.

An automatic sensor will check the incoming water temperature and if it is not hot enough, the cycle may be delayed to heat the water during the main wash. This also happens when HI-TEMP WASH is selected and a hotter temperature is required to wash heavier soil loads.

A "•" shows what steps are in each cycle. Temperatures indicate where extra heat is added. Water usage is shown in U.S. gallons/liters.

### HEAVY

Use this cycle for hard to clean, baked on, cookware and harder than normal water conditions.								
Pre-Wash	Second Pre-Wash	Main Wash	Rinse	Rinse	Final Heated Rinse	Dry	Running Time (min)	Water Usage (gal/L)
•	•	• 118°F (48°C)	•	•	• 136°F (58°C)	•	140	6 gal. (22.8 L)

AVAILABLE OPTIONS		
Sanitize	Hi Temp	Heated Dry
X	X	X

### NORMAL

Use this cycle for loads with normal amounts of food soil.								
Pre-Wash	Second Pre-Wash	Main Wash	Rinse	Rinse	Final Heated Rinse	Dry	Running Time (min)	Water Usage (gal/L)
•		• 107° - 118°F (42° - 48°C)			• 122° - 136°F (50° - 58°C)	•	100-130	3 to 6 gal. / (10.8 - 23 L)

AVAILABLE OPTIONS		
Sanitize	Hi Temp	Heated Dry
X	X	X

## LIGHT

Use this cycle for lightly soiled or rinsed dishes and silverware.								
Pre-Wash	Second Pre-Wash	Main Wash	Rinse	Rinse	Final Heated Rinse	Dry	Running Time (min)	Water Usage (gal/L)
•		• 108°F (42°C)	• 136°F (58°C)			•	100-120	3 to 5 gal. / (11.4-18.9 L)

### AVAILABLE OPTIONS

Sanitize	Hi Temp	Heated Dry
X	X	X

## ENERGY SAVER

Use this cycle for lightly soiled or rinsed dishes and silverware.								
Pre-Wash	Second Pre-Wash	Main Wash	Rinse	Rinse	Final Heated Rinse	Dry	Running Time (min)	Water Usage (gal/L)
•	•	• 104°F (40°C)	•		• 122°F (50°C)	•	105	5 gal. / 19.3 L

### AVAILABLE OPTIONS

Sanitize	Hi Temp	Heated Dry
X	X	X

## GLASS

This cycle is for lightly soiled glassware.								
Pre-Wash	Second Pre-Wash	Main Wash	Rinse	Rinse	Final Heated Rinse	Dry	Running Time (min)	Water Usage (gal/L)
•	•	• 118°F (48°C)	•		• 136°F (58°C)	•	120	5 gal. / 19.3 L

### AVAILABLE OPTIONS

Sanitize	Hi Temp	Heated Dry
N/A	N/A	X

## RINSE

Use this rinse cycle for rinsing dishes, glasses and silverware that will not be washed right away.								
Pre-Wash	Second Pre-Wash	Main Wash	Rinse	Rinse	Final Heated Rinse	Dry	Running Time (min)	Water Usage (gal/L)
			•				20	2 gal./ 8 L

AVAILABLE OPTIONS		
Sanitize	Hi Temp	Heated Dry
N/A	N/A	N/A

## DISHWASHER LOADING

### LOADING SUGGESTIONS

- Remove leftover food, bones, toothpicks and other hard items from the dishes. To conserve water and energy, and save time, it is not necessary to rinse dishes before putting them into the dishwasher. The wash system is designed to remove food particles from the water.
- It is important for the water spray to reach all soiled surfaces.
- Load dishes so they are not stacked or overlapping if possible. For best drying results, water must be able to drain from all surfaces.
- Load heavy pots and pans carefully. Heavy items can dent the stainless steel interior of the door if they are dropped or bumped.
- Make sure pot lids and handles, pizza pans, cookie sheets, etc., do not interfere with the spray arm rotation.
- Conserve water and energy, and save the time you would spend hand-rinsing by running a rinse cycle to keep dishes moist, if you do not plan to wash them soon. Foods such as eggs, rice, pasta, spinach and cooked cereals may be hard to remove if they are left to dry over a period of time.



## QUIET OPERATING TIPS

### To avoid thumping/clattering noises during operation:

- Make sure lightweight items are secured in the racks.
- Make sure pot lids and handles, pizza pans, cookie sheets, etc., do not touch interior walls or interfere with the rotation of the spray arm.
- Load dishes so they do not touch one another.

**NOTE:** For built-in models, keep sink drain plugs closed during dishwasher operation to prevent noise transfer through drains.

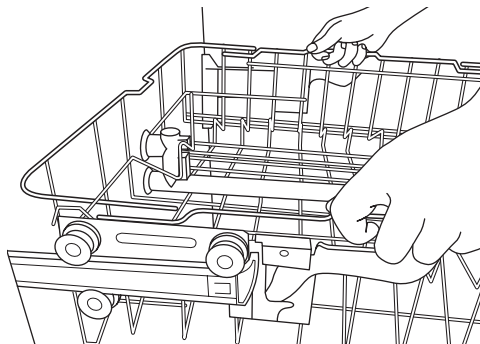
## ADJUST UPPER RACK

The Upper Rack height can be easily adjusted to accommodate loading taller dishes in either rack.

**IMPORTANT:** Remove any dishes before adjusting the rack.

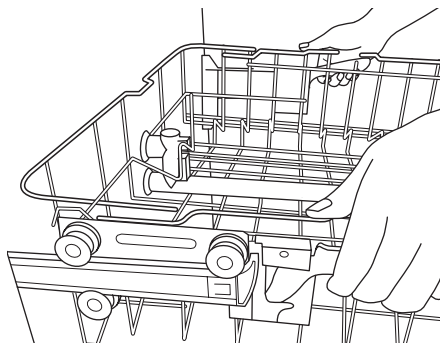
### To accommodate taller dishes in the bottom rack:

1. Grasp each side and lift up to raise the upper rack.



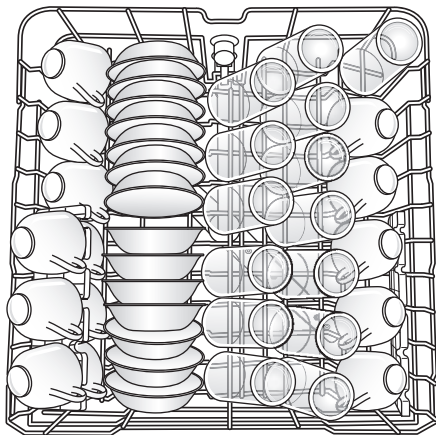
### To accommodate taller dishes in the upper rack:

1. Pull up on the adjusting arm on each side to lower the upper rack.



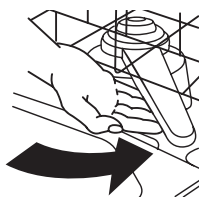
## LOADING UPPER RACK

The upper rack is designed for cups, glasses, small plates, bowls and plastic items marked dishwasher safe.



14 Place Setting

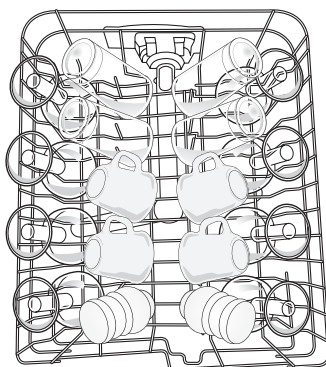
**IMPORTANT:** Make sure the dishes loaded in the upper rack do not interfere with the rotation of the middle spray arm located beneath the upper rack. Check by turning spray arm by hand.



**NOTE:** The features on your dishwasher rack may vary from the drawings shown.

- Place items so open ends face downward for cleaning and draining.
- Load glasses and cups in upper rack only. The lower rack is not designed for glasses and cups. Damage can occur.
- Place cups and glasses in the rows between tines. Placing them over the tines can lead to breakage and water spots.

- To avoid chipping, do not let stemware touch other items. Small bowls, pans and other utensils can be placed in the top rack. Load bowls in the center section for best stability.



- China, crystal and other delicate items must not touch each other during dishwasher operation. Damage may occur.
- Load plastic items so the force of the spray does not move them during the cycle.

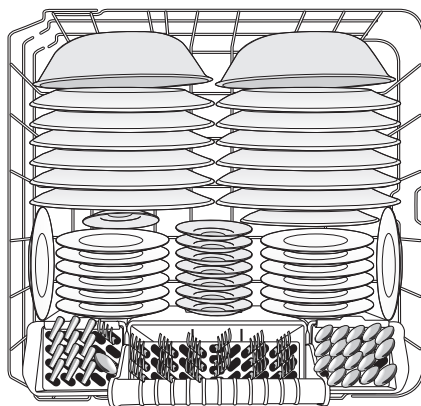
## LOADING LOWER RACK

**IMPORTANT:** Large items should be placed along the edge so they do not interfere with the middle or lower spray arm turning freely, or block the detergent dispenser from opening.

The lower rack is designed for plates, soup bowls, cookware and bakeware.

The adjustable upper rack allows you to load items up to 13" in height.

The fold-down tines in the bottom rack make it easier to load large items. The tines may be left in the up position for normal use, or folded down for more flexible loading.

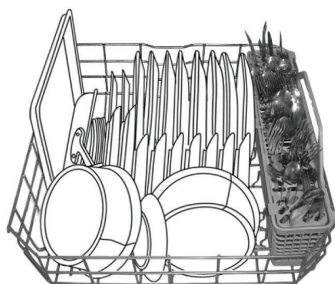


**NOTE:** The features on your dishwasher rack may vary from the drawings shown.

- Do not load glasses, cups, or plastic items in the lower rack. Load small items in the lower rack only if they are secured in place.
- Load plates, soup bowls, etc. between tines.
- Load soup, cereal, and serving bowls in the rack in a variety of ways depending upon their size and shape. Load bowls securely between the rows of tines. Do not nest bowls because the spray will not reach all surfaces.



- Load cookie sheets, cake pans, and other large items at the sides and back. Loading such items in front can keep the water spray from reaching the detergent dispenser.

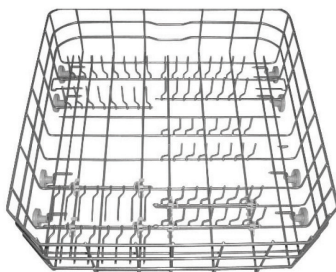


- Place heavily soiled cookware face down in the rack.
- Make sure pot handles and other items do not stop rotation of the spray arm(s). The spray arm(s) must move freely.
- Do not load items between the bottom rack and the side of the dishwasher tub because they might block the water inlet opening.

**NOTE:** Spin the spray arms. Be sure items in the basket do not stop the rotation of the spray arms.

## FOLD-DOWN AND/OR ADJUSTABLE TINES (ON SOME MODELS)

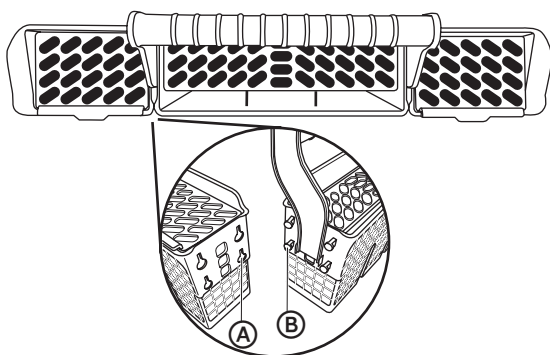
1. Grasp the tip of the tine that is in the tine holder.
2. Gently pull the tine out of the tine holder.
3. Lay the row of tines down or adjust as needed in the rack to make room for larger dishes, bowls, pots, pans or roasters.



## THREE-PIECE SILVERWARE BASKET

The silverware basket consists of three separate sections. For optimum loading flexibility, the center section of the basket can be used either individually or joined with one or both side sections as desired.

- Lift handle to remove the silverware basket and set the basket on a counter or table top.
- Lift up on each side section to disengage the the center section from the keyhole slots in the side sections.
- Either replace the section(s) in the bottom rack and load the silverware, OR load the silverware while the section(s) are on the countertop and then replace the basket in the bottom rack.

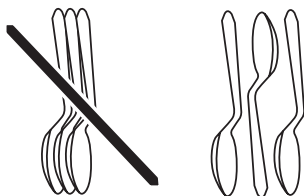


- (A) Keyhole Slots
- (B) Prongs

### NOTES:

- Load items with handles down, using the separators to prevent silverware from nesting.
- Place small items such as baby bottle caps, jar lids, corncob holders, etc. in the section(s) with hinged cover(s). Close the cover to hold small items in place.
- Unload or remove the basket before unloading the racks to avoid water drops from falling on the silverware.

- When handles are up, mix items in each section of the basket with some pointing up and some down to avoid nesting. Spray cannot reach nested items.



**IMPORTANT:** Always load sharp items (knives, skewers, etc.) pointing down. Be sure that nothing protrudes through bottom of the basket or rack that may block the wash arm.

## DISHWASHER USE

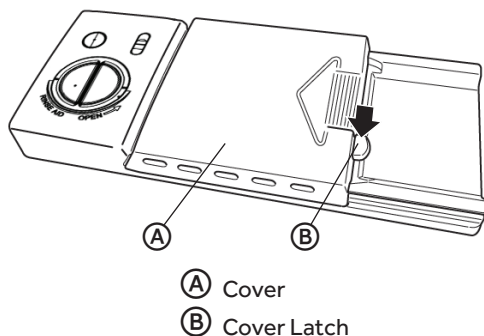
### PROPER USE OF DETERGENT

**IMPORTANT:**

- Use automatic dishwashing detergent only. Other detergents can produce excessive suds that can overflow out of the dishwasher and reduce washing performance.
- Add detergent just before starting a cycle.
- Store detergent tightly closed in a cool, dry place. Fresh automatic dishwasher detergent results in better cleaning.
- All wash cycles except RINSE require detergent in the detergent dispenser.

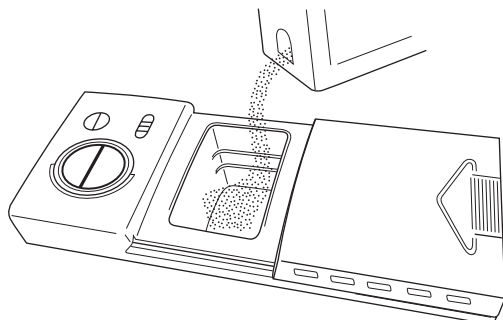
### DETERGENT DISPENSER

1. If the dispenser cover is closed, open the cover by pressing down on the cover latch. The cover will slide to the right.



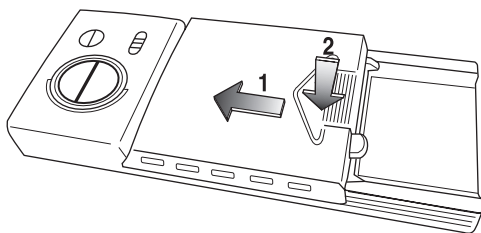
2. Add the recommended amount of detergent to the detergent cup.

**NOTE:** If using dishwasher detergent in the tablet or pac form, place the detergent in the detergent cup, NOT in the tub to avoid premature breakdown of the detergent.



**A** Detergent Cup

3. Slide the dispenser cover to the left, and then press down on the ridged arrow to close.



## HOW MUCH DETERGENT TO USE

The amount of detergent to use depends on the hardness of your water and the type of detergent. If you use too little, dishes won't be clean. If you use too much detergent in soft water, glassware will etch.

### Water Hardness

Water hardness varies depending on your source. For the best results, your dishwasher is designed to operate with water that has a hardness of no more than 7 grains per gallon. Test kits are available from all major appliance parts retail outlets. If your water has a hardness over 8 grains per gallon, you may consider installing a water softener or regularly use an additive to enhance the performance of your detergent.

### Soil Level of Load

Depending on how much soil is on your dish load, you may need to adjust the amount of detergent.

## PROPER USE OF RINSE AID

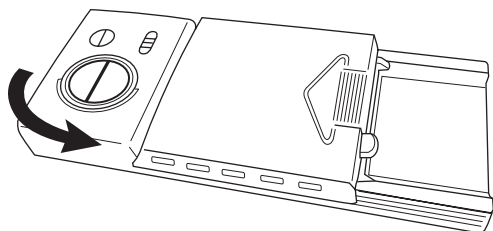
Your dishwasher is designed to use a LIQUID rinse aid. Using a rinse aid greatly improves drying performance after the final rinse.

Rinse aids prevent water from forming droplets that can dry as spots or streaks. They also improve drying by allowing water to drain off of the dishes during the final rinse by releasing a small amount of the rinse aid into the rinse water. Your Rinse Aid dispenser is designed to use a liquid rinse aid. Do not use a solid or bar-type.

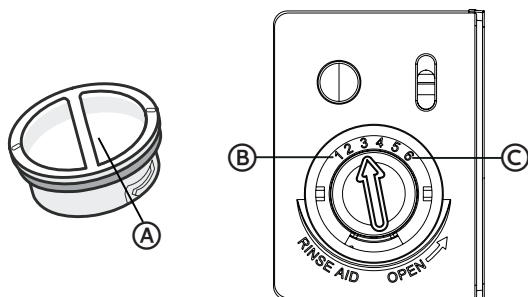
### RINSE AID DISPENSER

Under normal conditions, you will need to fill the rinse aid dispenser approximately once a month. Rinse aid is released through an opening in the dispenser. You do not need to wait until the dispenser is empty to refill it. Try to keep it full, but be careful not to overfill it.

1. Open the dishwasher door.
2. Turn the rinse aid dispenser cap counterclockwise and pull up to remove.



3. Pour rinse aid into the dispenser until the indicator points to MAX.
4. You can adjust the amount of the rinse aid released during the rinse. The greater the number indicates a greater amount of rinse aid released.



- (A) Dispenser Cap
- (B) Less
- (C) More

5. Clean up any spilled rinse aid with a damp cloth.
6. Replace the rinse aid cap, and then turn the cap clockwise to close.



## WASHING SPECIAL ITEMS

If you have doubts about washing a particular item, check with the manufacturer to see if it is dishwasher safe.

Material	Dishwasher Safe	Comments
Aluminum	Possible	High water temperature and detergents can affect finish of anodized aluminum. Unfinished aluminum will be discolored.
Disposable Aluminum	No	Do not wash disposable aluminum pans in the dishwasher. These might shift during washing and transfer black marks to dishes and other items.
Bottles and cans	No	Wash bottles and cans by hand. Labels attached with glue can loosen and clog the spray arms or pump and reduce washing performance.
Cast Iron	No	Seasoning will be removed and iron will rust.
China / Stoneware	Yes	Always check manufacturer's recommendations before washing. Antique, hand-painted, or over-the-glaze patterns may fade, gold leaf can discolor or fade.
Crystal	Yes	Check manufacturer's recommendations before washing. Some types of leaded crystal can etch with repeated washing.
Gold	No	Gold-colored flatware will discolor.
Glass	Yes	Milk glass yellows with repeated dishwasher washing.
Hollow-Handle Knives	No	Handles of some knives are attached to the blade with adhesive that can loosen if washed in the dishwasher.
Pewter Brass, Bronze	No	High water temperatures and detergent can discolor or pit the finish.
Disposable Plastics	No	Cannot withstand high water temperatures and detergents.
Plastics	Yes	Always check manufacturer's recommendations before washing. Plastics vary in their capacity to withstand high temperatures and detergents. Load plastics in top rack only.
Stainless Steel	Yes	Run a rinse cycle if not washing immediately. Prolonged contact with food containing salt, vinegar, milk products, or fruit juice can damage finish.
Sterling Silver or Silver Plate	Yes	Run a rinse cycle if not washing immediately. Prolonged contact with food containing salt, acid, or sulfide (eggs, mayonnaise, and seafood) can damage finish.
Tin	No	Can rust.
Wooden Ware	No	Wash by hand. Always check manufacturer's instructions before washing. Untreated wood can warp, crack, or lose its finish.

# DISHWASHER CARE

## CLEANING

### CLEANING THE EXTERIOR

In most cases, regular use of a soft, damp cloth or sponge and a mild detergent is all that is necessary to clean outside of your dishwasher.

Clean the stainless steel door and handle regularly with a clean, soft cloth to remove debris.

**IMPORTANT:** Do not use appliance wax, polish, bleach, or products containing chlorine to clean the stainless steel door.

#### Control Panel

Gently clean the control panel with a clean, soft cloth.

### CLEANING THE INTERIOR

The tub is made of stainless steel designed to resist rust and corrosion if the dishwasher should be scratched or dented.

Hard water minerals can cause a white film to build up on the inside surfaces, especially just beneath the door area.

Do not clean the dishwasher interior until it has cooled. Wear rubber gloves. Do not use any type of cleanser other than dishwasher detergent because it may cause foaming or create suds.

Clean the spots on the steel inner door and tub with a clean, soft damp cloth.

Using a damp cloth, clean around the door gasket regularly to remove food particles.

### CLEANING THE FILTERS

The coarse filter needs to be cleaned regularly to maximize wash performance.

1. Remove the bottom rack.
2. Rotate the coarse filter counterclockwise a quarter turn and lift up to remove.
3. Empty filter and rinse it under running water.
4. Remove the Fine filter and Micro filter and clean by holding under slow running water.
5. Replace filters by reversing the process.

## DRAIN AIR GAP

Check the drain air gap anytime your dishwasher isn't draining well. Some state or local plumbing codes require the addition of a drain air gap between a built-in dishwasher and the home drain system. If a drain is clogged, the drain air gap protects your dishwasher from water backing up into it.

The drain air gap is usually located on top of the sink or countertop near the dishwasher.

**NOTE:** The drain air gap is an external plumbing device that is not part of your dishwasher. The warranty provided with your dishwasher does not cover service costs directly associated with the cleaning or repair of the external drain air gap.

### To Clean the Drain Air Gap:

Clean the drain air gap periodically to ensure proper drainage of your dishwasher. Follow the cleaning instructions provided by the manufacturer.

#### With most types:

1. Turn off the dishwasher.
2. Lift off the metal cover, and then unscrew the plastic cap.
3. Clean plastic cap with a toothpick.

## STORING

### STORING FOR THE SUMMER

Protect your dishwasher during the summer months by turning off the water supply and power supply to the dishwasher.

### WINTERIZING YOUR DISHWASHER

Protect your dishwasher and home against water damage caused by freezing water lines. If your dishwasher is left in a seasonal dwelling or could be exposed to near freezing temperatures, have your dishwasher winterized by authorized service personnel.

# TROUBLESHOOTING

First try the solutions suggested here to possibly avoid the cost of a service call.

## DISHWASHER NOT OPERATING PROPERLY

PROBLEM	POSSIBLE CAUSE	SOLUTION
<b>Dishwasher does not run or stops during a cycle</b>	Most cycles pause for 5 minutes near the start of a cycle to let the dishes soak.	This is normal, and reduces the energy required to clean the dishes.
	The door is not closed tightly and latched.	Close and latch the door.
	There is no power to the dishwasher.	Replace fuse or reset circuit breaker.
	The motor has stopped due to an overload.	The motor will automatically reset itself within a few minutes.
	The water shutoff valve is not turned on.	Turn the water shutoff valve to its fully on position.
	Certain cycles repeatedly pause for 15 to 65 seconds during the main wash.	This is normal.
<b>The Delay option was selected.</b>		See "Options" to reset.
<b>Child Lock is activated.</b>		Deactivate Child Lock. See "Options."
<b>Dishwasher will not fill</b>	The overfill protection float is not able to move up and down freely.	Press down on the float to release.
	The water valve is turned off.	Turn on the water valve.
	Door latch is not properly seated.	Close and latch the door.
<b>Dishwasher seems to run too long</b>	The water supplied to the dishwasher is not hot enough.  The dishwasher runs longer while heating water, and a delay automatically occurs in some wash and rinse cycles until the water reaches the proper temperature.	Run the water in the adjacent sink until it gets hot before turning on the dishwasher.
	The Sanitize option is selected.	The cycle time will increase to meet the sanitized temperature.
	The cycle time will vary depending on soil level.	When heavy soil is detected, the Normal cycle will automatically increase the cycle time.

PROBLEM	POSSIBLE CAUSE	SOLUTION
<b>Water remains in the dishwasher</b>  <b>NOTE:</b> A small amount of clean water around the outlet in the bottom of the tub is normal. It keeps the seal lubricated.	The cycle is not complete or it is in a pause.	The water will drain when the cycle is completed.
	The drain hose is kinked.	Straighten the drain hose.
	The knockout plug is still in the garbage disposal.	Remove the knockout plug.
	Drain hose is connected to the garbage disposal, and the garbage disposal is not empty.	Run the garbage disposal until it is empty.
	Drain is clogged.	Check the air gap.
<b>Detergent remains in the covered section of the dispenser</b>	The cycle has not completed.	Close the door and press START/CANCEL to complete cycle.
	The detergent is damp or has clumped.	Remove detergent and replace with fresh dry dishwasher detergent.
	An item was blocking the dispenser.	Remove item. Remove detergent and replace with fresh dry dishwasher detergent.
	The spray arm is blocked.	Load the dishes in a manner that does not block the spray arm from rotating freely.
<b>Water residue on front panel</b>	Too much detergent was used or detergent is making too much foam.	Reduce amount of detergent or replace with a different brand to reduce foaming and eliminate buildup.
<b>Odor in dishwasher</b>	Dishes washed infrequently.	Run a Rinse Only cycle once or twice a day until you have a full load.
	Dishwasher needs to be cleaned.	Run a vinegar rinse.
<b>Moisture on the kitchen counter</b>	The dishwasher is not aligned with the countertop. Steam coming from the vent can condense on the countertop.	Level and Align dishwasher.
<b>Noises</b>  <b>Grinding, grating, crunching or buzzing sounds</b>  <b>Beeps</b>	<p>A hard object or powder detergent granules have entered the wash module.</p> <p>Indicates the wash cycle is completed.</p>	Remove the object. The sound should stop once the detergent is ground up.
<b>Suds in the Tub</b>	Used improper detergent.	Use only detergent approved for automatic dishwashers.

PROBLEM	POSSIBLE CAUSE	SOLUTION
<b>Dishwasher Leaks</b>	Excessive suds caused by using improper detergent.	Use only detergent approved for automatic dishwashers.
<b>Dishwasher is not level.</b>		Level the Dishwasher. See Installation Instructions.

## DISHES ARE NOT COMPLETELY CLEAN

<b>Food soil left on the dishes</b>	Dishwasher is not loaded correctly.	See "Dishwasher Loading."
	Selected the wrong wash cycle for the dish load.	Select the cycle for the most difficult soil in the dishwasher load. If you have some items with heavier soils, use a heavier washing cycle.
	Water temperature is too low.	For best results, the incoming water temperature should be a minimum of 120°F (49°C) as it enters the dishwasher.
	Used incorrect amount of detergent.	Use a minimum of 1Tbsp. (15 g) detergent. (15 g) per load. Heavy soil and/or hard water generally require extra detergent.
	Detergent is too old.	Detergent must be fresh to be effective. Store detergent in a cool, dry area.
	Detergent is caked in the dispenser.	Do not allow detergent to sit for several hours in a wet dispenser. Clean dispenser and refill with fresh, dry detergent.
	The pump or spray arm is clogged with labels from bottles and cans.	Check pump and spray arm for labels and remove the labels.
	The pressure of the water coming into the home is too low.	Water pressure should be 20 to 120 psi (138 to 828 kPa) for proper dishwasher fill. A booster pump on the water supply can be added if pressure is too low.
	High suds are slowing the wash arm.	Use detergent recommended for the dishwasher only. Do not use soap or laundry detergents.

## SPOTS AND STAINS ON DISHES

PROBLEM	POSSIBLE CAUSE	SOLUTION
<b>Spotting and filming on dishes</b>  <b>NOTE:</b> To remove spots and film from dishes. Try a white vinegar rinse. This procedure is intended for occasional use only. Vinegar is an acid and using it too often could damage your dishwasher. See "Cleaning."	Hard water. High mineral content in your water	Use a rinse aid and keep the dispenser filled to help eliminate spotting and filming. If your water hardness is 13 grains or above, it is strongly recommended that you install a home water softener.
	Water temperature is too low.	For best results, water should be a minimum 120°F (49°C) as it enters the dishwasher.
	Did not use enough detergent.	Use a minimum of 1 Tbsp. (15 g) of detergent per load. Heavy soil and/or hard water generally require extra detergent.
	Detergent is too old.	Detergent must be fresh and dry to be effective. Store detergent in a cool, dry area.
	Home water pressure is too low to fill dishwasher properly.	Water pressure to the home should be 20 to 120 psi (138 to 828 kPa) for proper dishwasher fill. A booster pump on the water supply can be added if pressure is too low.
	Rinse aid dispenser is empty.	Add rinse aid to the dispenser.
<b>Silica film or etching</b>	Sometimes there is a water/chemical reaction with certain types of glassware. This is usually caused by some combination of softened water, alkaline washing solutions, insufficient rinsing, overloading the dishwasher, and the heat of drying.	Silica film and etching are permanent and cannot be removed. To slow this process, use a minimum amount of detergent but not less than 1 tbsp. (15 g) per load. Use a liquid rinse aid and under load the dishwasher to allow thorough rinsing. Do not use heated drying.
	The inlet water temperature exceeds 150°F (65°C).	Lower the incoming water temperature.
<b>White spots on cookware with non-stick finish</b>	The dishwasher detergent removed cookware seasoning.	After washing in the dishwasher, season cookware again.

PROBLEM	POSSIBLE CAUSE	SOLUTION
<b>Brown stains on dishes and dishwasher interior</b>	Water has a high iron content.	Rewash dishes using 1 - 3 tsp (5-15 ml) of citric acid crystals added to the detergent dispenser. Do not use detergent. Follow with a Normal wash cycle using detergent.
<b>Black or gray marks on dishes</b>	Aluminum items rubbing dishes during washing. Disposable aluminum items can break down in the dishwasher and cause marking.	Hand wash aluminum items. Remove aluminum markings by using a mild abrasive cleaner.
<b>Orange stains on plastic dishes or dishwasher interior</b>	Large amounts of tomato-based foods on dishes placed in the dishwasher.	Use a stain removal product to remove stains from your dishwasher. Stains will not affect dishwasher performance.

## DISHES DO NOT DRY COMPLETELY

PROBLEM	POSSIBLE CAUSE	SOLUTION
<b>Dishes are not completely dry</b> <b>NOTE:</b> Plastics often need towel drying.	Dishes are not loaded properly to allow water drainage.	Do not overload dishwasher. Place glasses and cups in the rack so that the bottom surface is slanted to allow water to run off.
	Rinse Aid not used or dispenser is empty.	Use a liquid rinse aid to speed drying and keep the dispenser full.
	Used an air dry or energy-saving option.	Use a heated drying option for dryer dishes.



## DISHES ARE DAMAGED DURING A CYCLE

PROBLEM	POSSIBLE CAUSE	SOLUTION
<b>Dishes are chipped</b> <b>NOTE:</b> Antiques, feather-edged crystal, and similar types of china and glassware might be too delicate for automatic dishwashing. Wash by hand.	Dishes not loaded properly.	Load the dishes and glasses so they are stable and do not strike together from washing action.
	You moved the rack in or out of the dishwasher too quickly.	Minimize chipping by moving the rack in and out slowly.

## ERROR CODES

Code	Meanings	Possible Causes
<b>E1</b>	Longer inlet time	Faucets not opened, or water intake is restricted, or water pressure is too low.
<b>E4</b>	Overflow	Some element of the dishwasher is leaking.
<b>E8</b>	Failure of the orientation of the distributary valve.	Open circuit or break of distributary valve.
<b>E9</b>	Need to touch a button for longer than 30 seconds.	Water or substance on the button.

**FOR MORE HELP, VISIT [HAIER.COM](http://HAIER.COM) OR CALL THE CONSUMER HELP LINE AT 1-877-377-3639.**

# LIMITED WARRANTY

## IN-HOME SERVICE

### FULL TWO YEAR WARRANTY

For 24 months from the date of original retail purchase, Haier will repair or replace any part free of charge including labor that fails due to a defect in materials or workmanship.

Haier may replace or repair at their sole discretion any part, sub system including the entire product.

Product must be accessible, without encumbrance and installed properly to receive warranty repair service.

### LIMITED WARRANTY

**NOTE:** This warranty commences on the date the item was purchased, and the original purchase receipt must be presented to the authorized service representative before warranty repairs are rendered.

**Exceptions:** Commercial Use Warranty

**90 days labor from date of original purchase**

**90 days parts from date of original purchase**

**No other warranty applies.**

### FOR WARRANTY SERVICE

All service must be performed by a Haier authorized service center. For the name and telephone number of the nearest authorized service center, please call 1-877-337-3639.

Before calling please have available the following information:

Model number and serial number of your appliance. The name and address of the dealer you purchased the unit from and the date of purchase.

A clear description of the problem.

A proof of purchase (sales receipt).

**This warranty covers home appliance services within the contiguous United States and Canada and where available in Alaska, Hawaii and Puerto Rico.**

### What is not covered by this warranty:

Replacement or repair of household fuses, circuit breakers, wiring or plumbing.

A product whose original serial number has been removed or altered.

Any service charges not specifically identified as normal such as normal service area or hours.

Damage incurred in shipping.

Damage caused by improper installation or maintenance.

Damage from misuse, abuse accident, fire, flood, or acts of nature.

Damage from service other than an authorized Haier dealer or service center.

Damage from incorrect electrical current, voltage or supply.

Damage resulting from any product modification, alteration or adjustment not authorized by Haier.

Adjustment of consumer operated controls as identified in the owner's manual.

Hoses, knobs, plumbing parts and all attachments, accessories and disposable parts.

Labor, service transportation, and shipping charges for the removal and replacement of defective parts beyond the initial 24-month period.

Damage from other than normal household use.

Any transportation and shipping charges.

**THIS LIMITED WARRANTY IS GIVEN IN LIEU OF ALL OTHER WARRANTIES, EXPRESS ED OR IMPLIED, INCLUDING BUT NOT LIMITED TO, THE WARRANTIES OF MERCHANTABILITY AND FITNESS FOR A PARTICULAR PURPOSE**

The remedy provided in this warranty is exclusive and is granted in lieu of all other remedies.

This warranty does not cover incidental or consequential damages, so the above limitations may not apply to you. Some states do not allow limitations on how long an implied warranty lasts, so the above limitations may not apply to you.

This warranty gives you specific legal rights, and you may have other rights, which vary from state to state.

Haier America  
Wayne, NJ 07470

# TABLE DES MATIÈRES

<b>SÉCURITÉ DU LAVE-VAISSELLE</b> .....	<b>34</b>
<b>EXIGENCES D'EMPLACEMENT</b> .....	<b>37</b>
<b>CONFIGURATION REQUISE POUR L'ÉLECTRICITÉ</b> .....	<b>38</b>
<b>SPÉCIFICATIONS DE L'ALIMENTATION EN EAU</b> .....	<b>38</b>
<b>PIECES ET CARACTERISTIQUES</b> .....	<b>39</b>
Système de filtrage.....	40
Système de lavage avec détection.....	40
<b>GUIDE POUR METTÈRE EN MARCHÉ</b> .....	<b>41</b>
Le processus de nettoyage de votre lave-vaisselle.....	41
Utilisation de votre nouveau lave-vaisselle .....	41
<b>COMMANDES</b> .....	<b>42</b>
Tableaux des programmes .....	45
<b>CHARGEMENT DE VOTRE LAVE VAISSELLE</b> .....	<b>48</b>
Chargement du support supérieur .....	50
Chargement du support inférieur .....	51
<b>UTILISATION DE VOTRE LAVE-VAISSELLE</b> .....	<b>54</b>
Utilisation appropriée de détergent .....	54
Utilisation correcte de l'agent de rinçage .....	56
Laver des articles spéciaux .....	57
<b>SOINS ET ENTRETIENS DU LAVE-VAISSELLE</b> .....	<b>58</b>
Nettoyez.....	58
Emmagasinez.....	59
<b>DEPANNAGE</b> .....	<b>60</b>
Codes d'erreur .....	66
<b>GARANTIE LIMITÉE</b> .....	<b>67</b>

## DOCUMENTS À CONSERVER

Merci d'avoir acheté ce produit Haier.  
Ce manuel d'utilisation vous aidera  
à obtenir la meilleure performance  
possible de votre nouvelle lave-  
vaisselle.

Pour référence ultérieure, inscrire le  
numéro de plaque signalétique situé  
sur le cadre à l'intérieur du lave-  
vaisselle, et la date d'achat.

Pour faciliter l'obtention d'un service  
sous garantie,agrafer la preuve de la  
date d'achat à ce manuel.

---

Numéro de modèle

---

Numéro de série

---

Date d'achat

## SÉCURITÉ DU LAVE-VAISSELLE

### Votre sécurité et celle des autres est très importante.

Nous donnons de nombreux messages de sécurité importants dans ce manuel et sur votre appareil ménager. Assurez-vous de toujours lire tous les messages de sécurité et de vous y conformer.



Voici le symbole d'alerte de sécurité.

Ce symbole d'alerte de sécurité vous signale les dangers potentiels de décès et de blessures graves à vous et à d'autres. Tous les messages de sécurité suivront le symbole d'alerte de sécurité et le mot "DANGER", "AVERTISSEMENT" ou "ATTENTION".

Ces mots signifient :

 **DANGER**

Une situation de danger imminent. Vous courez le risque d'un décès ou de blessures graves si vous ne suivez pas immédiatement les instructions.

 **AVERTISSEMENT**

Une situation potentiellement dangereuse qui, si vous ne l'évitez pas, peut provoquer la mort ou des blessures graves.

 **ATTENTION**

Une situation potentiellement dangereuse qui, si vous ne l'évitez pas, peut entraîner des blessures légères à modérées.

Tous les messages de sécurité vous diront quel est le danger potentiel et comment réduire le risque de blessure et ce qui peut se produire en cas de non-respect des instructions.

# IMPORTANTES INSTRUCTIONS DE SÉCURITÉ

**AVERTISSEMENT :** Afin de réduire le risque d'incendie, de choc électrique, de blessures corporelles ou de dommage lors de l'utilisation du lave-vaisselle, il convient d'observer certaines précautions fondamentales, notamment :

- Les lave-vaisselle à usage domestique certifiés ne sont pas destinés aux établissements de restauration agréés.
- Utilisez cet appareil uniquement pour l'usage auquel il est destiné.
- Utilisez les détergents et agents de séchage recommandés pour ce lave-vaisselle et gardez les loin de la portée des enfants.
- Quand vous chargez votre lave-vaisselle :
  - 1) Placez les objets aigus de sorte qu'ils n'endommagent pas la scellure de la porte;
  - 2) Placez les couteaux aux pointes aigus avec les manches vers le haut pour ne pas vous blesser.
- Ne lavez pas les objets en plastique dans le lave-vaisselle, à moins qu'ils soient marqués "lavez dans le lave-vaisselle". Si les objets ne sont pas marqués, vérifiez la recommandation du fabricant.
- Si le conduit d'évacuation du lave-vaisselle débouche sur un broyeur à aliments, s'assurer que le broyeur est entièrement vide avant de démarrer le lave-vaisselle.
- Ne pas manipuler les commandes prioritaires et les interverrouillages.
- Ne touchez pas l'élément de chauffage durant ou après l'usage.
- N'opérez pas le lave-vaisselle à moins que toutes les fermetures des panneaux sont en place.
- N'essayez pas de forcer les contrôles.
- N'abusez pas, ne vous assoyez pas et ne vous tenez pas debout sur la porte, sur le couvert ou les étagères du lave-vaisselle.
- Pour réduire le risque des blessures, ne permettez pas aux enfants de jouer dans ou sur le lave-vaisselle.
- Sous certaines conditions, le gaz hydrogène peut être produit dans un système d'eau chaude qui n'a pas été utilisé pendant 2 semaines ou plus. **LE GAS HYDROGENE EST EXPLOSIF.** Si le système d'eau chaude n'a pas été utilisé pour une période de temps, avant d'utiliser votre lave-vaisselle, ouvrez tous les robinets d'eau chaude et laissez les couler pour quelques minutes. Ceci fera sortir n'importe quelle accumulation de gaz hydrogène. Comme le gaz est inflammable, ne fumez pas et n'ouvrez aucune flamme à ce moment.
- Ne pas remiser ou utiliser de matériaux combustibles, d'essence ou tout autre liquide ou vapeur inflammable à proximité de cet appareil ou de tout autre appareil.

# IMPORTANTES INSTRUCTIONS DE SÉCURITÉ

- Ne pas utiliser le lave-vaisselle en cas de câble d'alimentation ou de prise électrique endommagé(e). Ne pas brancher le lave-vaisselle sur une prise électrique endommagée.
- Ne pas utiliser un câble de rallonge.
- Lors de la mise au rebut d'un vieux lave-vaisselle, retirer la porte du compartiment de lavage. Cela réduira la possibilité de danger pour les enfants.

## LIRE ET CONSERVER CES INSTRUCTIONS

### INSTRUCTIONS DE MISE À LA TERRE

#### **Pour un lave-vaisselle relié à la terre, branché avec un cordon :**

Le lave-vaisselle doit être relié à la terre. En cas d'un mauvais fonctionnement ou d'une panne, la mise à terre réduira le risque d'un choc électrique en fournissant le moins de résistance pour le courant électrique. Le lave-vaisselle est équipé d'un cordon avec un conducteur pour relier les appareils à la terre et d'une fiche de mise à la terre. La fiche doit être branchée sur une prise appropriée, installée et reliée à la terre conformément aux codes et règlements locaux.

**AVERTISSEMENT:** La connexion incorrecte du conducteur pour relier les appareils à la terre peut causer le risque de choc électrique.

Vérifier avec un électricien compétent ou un représentant de service si vous avez des doutes si le lave-vaisselle est correctement relié à la terre. Ne pas modifier la fiche fournie avec le lave-vaisselle; si elle n'entre pas dans la prise, faire installer une prise appropriée par un électricien compétent.

#### **Pour un lave-vaisselle branché en permanence :**

Le lave-vaisselle doit être branché à un système d'installation électrique permanent en métal relié à la terre, ou un conducteur pour relier les appareils à la terre doit être relié avec les conducteurs du circuit et branché à une borne pour relier les appareils à la terre ou au cordon d'alimentation électrique avec le lave-vaisselle.

## CONSERVEZ CES INSTRUCTIONS

## ⚠ AVERTISSEMENT



### Risque de basculement

Ne pas utiliser le lave-vaisselle jusqu'à ce qu'il soit complètement installé.

Ne pas appuyer sur la porte ouverte.

Le non-respect de ces instructions peut causer des blessures graves ou des coupures.

## ⚠ AVERTISSEMENT

### Risque de suffoquer

Avant de jeter votre ancien appareil, retirer la porte ou le couvercle de façon à ce que les enfants ne puissent pas se cacher ou être coincés dans l'ancien appareil.

Le non-respect de cette instruction peut causer un décès ou des lésions cérébrales.

## EXIGENCES D'EMPLACEMENT

- Installer le lave-vaisselle dans un endroit à l'abri des intempéries. Protéger l'appareil contre le gel pour éviter une rupture possible du robinet de remplissage. De telles ruptures ne sont pas couvertes par la garantie. Voir "Remisage" à la section "Entretien du lave-vaisselle" pour la préparation du remisage en hiver.
- Effectuer l'installation et le nivellement du lave-vaisselle sur un plancher qui pourra en supporter le poids, et dans un espace adéquat pour ses dimensions et son utilisation.

## CONFIGURATION REQUISE POUR L'ÉLECTRICITÉ

### ⚠ AVERTISSEMENT



#### Risque de choc électrique

Relier le lave-vaisselle à la terre d'une méthode électrique.

Brancher le fil relié à la terre au connecteur vert relié à la terre dans la boîte de la borne.

Ne pas utiliser un câble de rallonge.

Le non-respect de ces instructions peut causer un décès, un incendie ou un choc électrique.

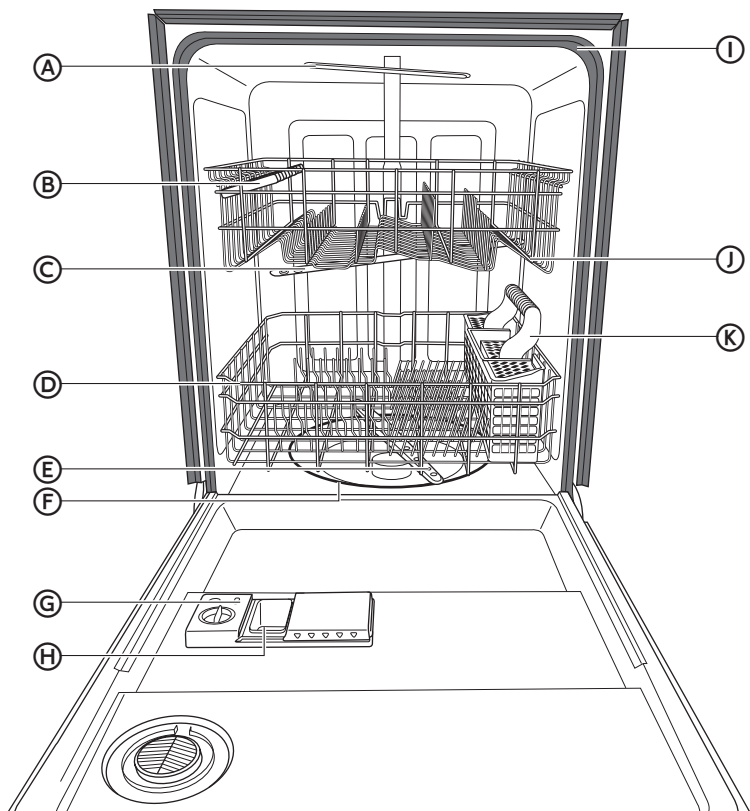
Ce lave-vaisselle est conçu pour fonctionner sur un circuit individuel correctement raccordé de 120 V, 60 Hz. Utiliser une alimentation électrique protégée par un fusible de 15 A avec conducteurs de cuivre uniquement. L'utilisation d'un fusible ou disjoncteur temporisé est recommandée, et fournir un circuit séparé pour l'alimentation de cet appareil uniquement. La prise doit être placée dans le placard contigu.

### SPÉCIFICATIONS DE L'ALIMENTATION EN EAU

La température de l'alimentation en eau doit être comprise entre 120 °F et 150 °F (49 °C et 66 °C).



## PIECES ET CARACTERISTIQUES

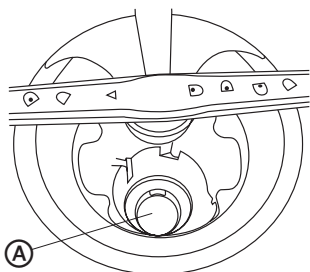


- |   |   |
|---|---|
| <b>(A)</b> Bras d'aspersion supérieur     | <b>(G)</b> Distributeur d'agent de rinçage    |
| <b>(B)</b> Tablette pour tasses           | <b>(H)</b> Distributeur de détergent          |
| <b>(C)</b> Bras d'aspersion intermédiaire | <b>(I)</b> Joint de la cuve                   |
| <b>(D)</b> Bras d'aspersion inférieur     | <b>(J)</b> Panier supérieur réglable          |
| <b>(E)</b> Panier inférieur               | <b>(K)</b> Panier à couverts en trois parties |
| <b>(F)</b> Élément chauffant              |   |

CARACTÉRISTIQUES	
Capacité :	Charge pour 14 couverts
Dimensions (largeur x profondeur x hauteur) :	23 $\frac{7}{8}$ " x 25 $\frac{9}{16}$ " x 33 $\frac{3}{4}$ " (606 x 650 x 857 mm)
Poids non déballé :	94 lb (42,5 kg)
Alimentation électrique :	120 volts, 60 Hz
Puissance nominale d'utilisation :	Moteur de lavage : 50 W; Élément chauffant : 840 W
Pression d'alimentation en eau :	20 à 120 lb/po <sup>2</sup> environ (138 à 827 kPa environ).

## SYSTÈME DE FILTRAGE

Votre lave-vaisselle est équipé d'un système à filtres multiples. Ce système comporte trois filtres, un filtre grossier conçu pour piéger les gros articles comme par exemple les cure-dents, un filtre fin conçu pour piéger les grains de maïs, les haricots, etc, et un micro-filtre conçu pour piéger les particules minuscules. Il sépare ensuite l'eau souillée de l'eau propre dans différentes chambres pour améliorer les performances du lave-vaisselle et économiser de l'eau et de l'énergie.



(A) Emplacement du filtre

## SYSTÈME DE LAVAGE AVEC DÉTECTION

Votre lave-vaisselle est équipé d'un système de détection des résidus alimentaires. Lorsqu'une charge incomplète de vaisselle très sale est placée dans le lave-vaisselle, un programme de lavage semblable à un lavage court sera automatiquement activé. Lorsqu'une charge complète de vaisselle très sale est placée dans l'appareil, un programme de lavage intense sera automatiquement activé. Votre lave-vaisselle peut déterminer le type de programme nécessaire pour nettoyer la vaisselle et le nettoyage sera à chaque fois plus efficace.

## GUIDE POUR METTRE EN MARCHÉ

Avant d'utiliser le lave-vaisselle, enlever tous les matériaux d'emballage. Lire ce Guide d'utilisation et d'entretien au complet. Vous y trouverez des renseignements de sécurité importants ainsi que des conseils d'utilisation utiles.

### LE PROCESSUS DE NETTOYAGE DE VOTRE LAVE-VAISSELLE

Le nettoyage s'effectue lorsque le bras d'aspersion envoie un mélange d'eau chaude et de détergent sur les surfaces sales.

Le lave-vaisselle se remplit d'eau au-delà de la zone des filtres. L'eau est ensuite pompée par les filtres multiples et les bras d'aspersion. Les particules de saleté séparées sont vidangées par le conduit d'évacuation lorsque l'eau est évacuée et remplacée par de l'eau propre.

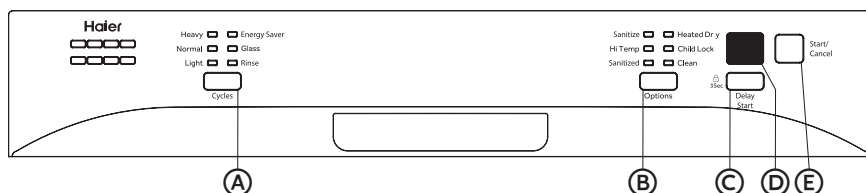
Si le système de lavage avec détection est activé, le nombre de remplissages d'eau peut varier en fonction du programme utilisé.

### UTILISATION DE VOTRE NOUVEAU LAVE-VAISSELLE

1. Chargez votre lave-vaisselle correctement. Voir "Chargement du lave-vaisselle".
2. Ajouter le détergent. Voir "Utilisation correcte du détergent".
3. Ajouter l'agent de rinçage. Voir "Utilisation correcte de l'agent de rinçage".
4. Bien fermer la porte pour verrouiller le loquet.
5. Sélectionner le PROGRAMME désiré. Voir "Tableau des programmes" et "Programmes". Le témoin lumineux correspondant au programme clignote lorsqu'il est sélectionné.
6. Sélectionner les OPTIONS désirées. Voir "Options". Le témoin lumineux correspondant à l'option clignote lorsqu'elle est sélectionnée.
7. Ouvrir le robinet d'eau chaude le plus proche du lave-vaisselle jusqu'à ce que l'eau soit chaude. Fermer le robinet.
8. Appuyer sur le bouton Start /Cancel (mise en marche/annulation) pour mettre le lave-vaisselle en marche.

**REMARQUE :** Le lave-vaisselle est programmé pour mémoriser le dernier programme utilisé pour ne pas avoir à le reprogrammer à chaque fois. Pour démarrer le lave-vaisselle avec le même programme et les mêmes options que pour le lavage précédent, il suffit d'appuyer sur le bouton Start /Cancel (mise en marche/annulation).

# COMMANDES



## A PROGRAMMES

Appuyer sur le bouton des programmes pour alterner entre les programmes de lavage. Le témoin lumineux correspondant à un programme s'allume pour indiquer le programme sélectionné.

### HEAVY (intense)

Utiliser ce programme pour la vaisselle, les casseroles et les poêles difficiles à nettoyer et très sales.

### NORMAL

Utiliser ce programme pour la vaisselle et les couverts sales des repas quotidiens.

### LIGHT (léger)

Utiliser ce programme pour la vaisselle et les couverts peu sales ou rincés.

### ENERGY SAVE (économie d'énergie)

Utiliser ce programme pour la vaisselle et les couverts peu sales ou rincés.

### GLASS (verre)

Utiliser ce programme pour les articles en verre légèrement sales.

### RINSE (rinçage)

Utiliser ce programme pour rincer la vaisselle ou les verres. Ce programme est un simple rinçage qui empêche les aliments d'adhérer à la vaisselle en séchant. Il réduit également l'accumulation d'odeurs dans le lave-vaisselle jusqu'au lavage de la charge complète. Ne pas utiliser de détergent.

## B OPTIONS

Appuyer sur le bouton des options pour alterner entre les options. Le témoin lumineux correspondant à une option s'allume pour indiquer l'option sélectionnée.

**REMARQUE :** Le témoin lumineux Clean (propre) s'allume pour indiquer la fin d'un programme de lavage. Le témoin lumineux s'éteint 30 secondes après que la porte ait été déverrouillée.

## **SANITIZE (assainissement)**

**AVERTISSEMENT :** Seuls les programmes d'assainissement ont été conçus pour répondre aux exigences de 6 pour l'élimination de la saleté et l'efficacité de l'assainissement. Il n'y a aucune intention directe ou indirecte que tous les programmes d'une machine certifiée aient passé les tests de performance d'assainissement.

L'option d'assainissement assainit la vaisselle et la verrerie conformément à la norme internationale 184 NSF/ANSI pour lave-vaisselle à usage domestique. Les lave-vaisselle à usage domestique certifiés ne sont pas destinés à l'utilisation dans des établissements de restauration agréés.

Cette option est disponible pour tous les programmes sauf Glass (verre) et Rinse (rinçage).

Lorsque l'option Sanitize (assainissement) est sélectionnée, la température de l'eau atteint un maximum de 158 °F (70 °C).

Le témoin lumineux Sanitized (assaini) s'allume pour indiquer que le programme de lavage avec l'option d'assainissement est terminé. Le témoin lumineux s'éteint 30 secondes après que la porte ait été déverrouillée.

**REMARQUE :** Il est possible que l'eau n'atteigne pas une température de 158 °F (70 °C) en mode d'assainissement, si la température de l'alimentation en eau chaude n'atteint pas le niveau minimum nécessaire de 120 °F (49 °C).

## **HI TEMP (haute température)**

Cette option est disponible pour tous les programmes sauf Glass (verre) et Rinse (rinçage).

Lorsque l'option HI TEMP (haute température) est sélectionnée, la température de l'eau atteint un maximum de 140 °F (60 °C).

## **HEATED DRY (séchage avec chaleur)**

Cette option est disponible pour tous les programmes sauf Rinse (rinçage).

Lorsque l'option HEATED DRY (séchage avec chaleur) est sélectionnée, l'élément chauffant fonctionne durant le séchage.

## **CHILD LOCK (verrouillage enfants)**

Toutes les commandes peuvent être verrouillées pour éviter une modification accidentelle du programme du lave-vaisselle ou une mise en marche accidentelle du lave-vaisselle. Le témoin lumineux juxtaposé à Child Lock (verrouillage enfants) s'illumine pour indiquer que le tableau de commande est verrouillé.

- Appuyer sur le bouton Delay Start (mise en marche différée) pendant 3 secondes pour verrouiller ou déverrouiller le tableau de commande.

## **Ⓒ DELAY START (MISE EN MARCHÉ DIFFÉRÉE)**

Pour différer la mise en marche d'un programme sélectionné, appuyer sur le bouton Delay Start (mise en marche différée) jusqu'à ce que la durée de mise en marche différée apparaisse sur la fenêtre d'affichage DEL. La mise en marche du lave-vaisselle peut être différée pour une durée allant d'une (1) à 24 heures. Pour annuler l'option de mise en marche différée et mettre en marche le programme de lavage durant la durée différée, appuyer sur le bouton Start /Cancel (mise en marche/annulation). Le programme sélectionné se met en marche immédiatement.

## ⓓ FENÊTRE D’AFFICHAGE DEL

Affiche la durée restante du programme de lavage, les heures de mise en marche différées et les codes d’erreur.

### **Durée restante**

La durée restante d’un programme affiche alternativement les heures et les minutes (1H-2H ou 0-59).

**REMARQUE :** La durée restante peut augmenter ou diminuer de plusieurs minutes. Cela signifie que le capteur intelligent a vérifié le niveau de saleté et déterminé si des remplissages d’eau supplémentaires sont nécessaires ou si le nombre programmé de remplissages d’eau peut être réduit.

### **Heures de mise en marche différée (1 à 24)**

Si l’option de mise en marche différée est sélectionnée, la durée sélectionnée apparaît sur la fenêtre d’affichage. Si le programme est en cours de fonctionnement, la durée restante apparaît sur la fenêtre.

### **CL**

“CL” s’affiche lorsque l’on appuie sur le bouton Start /Cancel (mise en marche/annulation). “CL” clignote lorsque la porte est ouverte pendant un programme de lavage. Fermer la porte du lave-vaisselle pour démarrer ou reprendre un programme de lavage.

### **Témoin d’erreur**

Dans certaines situations essentielles pour le fonctionnement sécuritaire du lave-vaisselle, les commandes se désactivent et indiquent un code d’erreur (Er) sur la fenêtre d’affichage DEL. Voir la section “Codes d’erreur” dans la section “Dépannage”. Si un code d’erreur s’affiche, effectuer un appel de service pour obtenir de l’aide pour résoudre le problème ou contacter un technicien de service agréé.

## ⓔ START /CANCEL (MISE EN MARCHÉ/ANNULATION)

**Démarrage** - Bien fermer la porte. Choisir le programme et les options de lavage désirés. Les témoins lumineux juxtaposés au programme et aux options sélectionnés s’allument lorsqu’activés. Appuyer une fois sur le bouton Start / Cancel (mise en marche/annulation).

**Pause** - Pour interrompre ou arrêter le lave-vaisselle durant un programme, ouvrir la porte lentement pour permettre à la vapeur chaude de s’échapper. Le lave-vaisselle s’arrête. Examiner le distributeur de détergent. Si le distributeur de détergent de la section de lavage principale est encore fermé, des articles peuvent être ajoutés.

**Annulation** - Pour annuler un programme lorsque le lave-vaisselle fonctionne, appuyer une fois sur le bouton Start /Cancel (mise en marche/annulation). Le lave-vaisselle lance une vidange de 60 secondes, puis s’arrête. À la fin de la vidange, on peut sélectionner le programme de lavage désiré et redémarrer.

## TABLEAUX DES PROGRAMMES

Sélectionnez le cycle de lavage et les options désirées. À moins qu'un lavage différé ait été sélectionné, le lave-vaisselle commence à se remplir une fois que la porte a été fermée et que le bouton Start /Cancel (mise en marche/annulation) a été pressé. Après le remplissage, et un bref temps de lavage, la machine fera une pause de 5 minutes pour un intervalle de trempage d'économie d'énergie. Pendant ce temps, les particules de saleté séchées sont ramollies pour un retrait plus facile plus tard durant le cycle de lavage. Vous pouvez sélectionner les options au fur et à mesure que la machine se remplit.

La durée des programmes est approximative et varie selon les options sélectionnées. Il est nécessaire d'avoir de l'eau chaude pour activer le détergent pour lave-vaisselle et faire fondre les résidus alimentaires gras.

Un détecteur automatique examinera la température de l'alimentation en eau et si celle-ci n'est pas suffisamment chaude, le programme peut être différé pour chauffer l'eau durant le lavage principal. Ceci se produit également lorsque HI-TEMP WASH (lavage à haute température) est sélectionnée et qu'une température élevée est nécessaire pour laver les charges très sales.

A "•" vous indique combien d'étapes il y a dans chaque cycle. Les températures vous indiquent ou le surplus de chaleur est ajoutée. L'usage d'eau est marquée en U.S gallons / litres.

### HEAVY (INTENSE)

Utiliser ce programme pour la saleté difficile à nettoyer ou ayant adhéré à la cuisson, les ustensiles de cuisson et un lavage à l'eau plus dure que la normale.								
Pré-lavage	Second pré-lavage	Lavage principal	Rinçage	Rinçage	Rinçage final chauffé	Séchage	Durée de fonctionnement (min)	Consommation d'eau (gal/L)
•	•	• 118 °F (48 °C)	•	•	• 136 °F (58 °C)	•	140	6 gal. (22,8 L)

OPTIONS DISPONIBLES		
Sanitize (assainissement)	Hi Temp (température élevée)	Heated Dry (séchage avec chaleur)
X	X	X

## NORMAL

Utiliser ce programme pour des charges comportant des quantités normales de débris alimentaires.

Pré-lavage	Second pré-lavage	Lavage principal	Rinçage	Rinçage	Rinçage final chauffé	Séchage	Durée de fonctionnement (min)	Consommation d'eau (gal/L)
•		• 107 °F - 118 °F (42 °C - 48 °C)			• 122 °F - 136 °F (50 °C - 58 °C)	•	100-130	3 à 6 gal / (10,8 - 23 L)

### OPTIONS DISPONIBLES

Sanitize (assainissement)	Hi Temp (température élevée)	Heated Dry (séchage avec chaleur)
X	X	X

## LIGHT (LÉGER)

Utiliser ce programme pour la vaisselle et les couverts peu sales ou rincés.

Pré-lavage	Second pré-lavage	Lavage principal	Rinçage	Rinçage	Rinçage final chauffé	Séchage	Durée de fonctionnement (min)	Consommation d'eau (gal/L)
•		• 108 °F (42 °C)	• 136 °F (58 °C)			•	100-120	3 à 5 gal / (11,4 -18,9 L)

### OPTIONS DISPONIBLES

Sanitize (assainissement)	Hi Temp (température élevée)	Heated Dry (séchage avec chaleur)
X	X	X

## ENERGY SAVER (ÉCONOMIE D'ÉNERGIE)

Utiliser ce programme pour la vaisselle et les couverts peu sales ou rincés.

Pré-lavage	Second pré-lavage	Lavage principal	Rinçage	Rinçage	Rinçage final chauffé	Séchage	Durée de fonctionnement (min)	Consommation d'eau (gal/L)
•	•	• 104 °F (40 °C)	•		• 122 °F (50 °C)	•	105	5 gal (19,3 L)



OPTIONS DISPONIBLES		
Sanitize (assainissement)	Hi Temp (température élevée)	Heated Dry (séchage avec chaleur)
X	X	X

## GLASS (VERRE)

Utiliser ce programme pour les articles en verre peu sales.								
Pré-lavage	Second pré-lavage	Lavage principal	Rinçage	Rinçage	Rinçage final chauffé	Séchage	Durée de fonctionnement (min)	Consommation d'eau (gal/L)
•	•	• 118 °F (48 °C)	•		• 136 °F (58 °C)	•	120	5 gal (19,3 L)

OPTIONS DISPONIBLES		
Sanitize (assainissement)	Hi Temp (température élevée)	Heated Dry (séchage avec chaleur)
S.O.	S.O.	X

## RINSE (RINÇAGE)

Utiliser ce programme de rinçage pour rincer la vaisselle, les verres et les couverts qui ne seront pas lavés immédiatement.								
Pré-lavage	Second pré-lavage	Lavage principal	Rinçage	Rinçage	Rinçage final chauffé	Séchage	Durée de fonctionnement (min)	Consommation d'eau (gal/L)
			•				20	2 gal (8 L)

OPTIONS DISPONIBLES		
Sanitize (assainissement)	Hi Temp (température élevée)	Heated Dry (séchage avec chaleur)
S.O.	S.O.	S.O.

# CHARGEMENT DE VOTRE LAVE VAISSELLE

## SUGGESTIONS DE CHARGEMENT

- Enlevez la nourriture restante, les os, les cure-dents, et tout autre objet des plats. Pour conserver l'eau, l'énergie, et économiser du temps, ce n'est pas nécessaire de rincer les plats avant de les placer dans le lave-vaisselle. Le système de lavage est conçu pour retirer des particules de nourriture de l'eau. Le système de lavage inclut un dispositif de hachage qui réduira la taille des produits alimentaires.
- C'est très important que les bras du jet atteignent toutes les surfaces sales.
- Chargez les plats de sorte qu'ils ne soient pas l'un sur l'autre si possible. Pour un meilleur séchage, l'eau doit être capable d'égoutter de toutes les surfaces.
- Chargez les casseroles et les poêles soigneusement. Les articles lourds peuvent bosseler l'intérieur de la porte en acier inoxydable s'ils sont lâches.
- Assurez-vous que les couverts et manches des casseroles, les plaques de four etc., n'interviennent pas avec la rotation du bras du jet.
- Conservez l'eau, l'énergie et économisez du temps en courant un cycle de rinçage pour garder les plats humides si vous ne projetez pas de les laver bientôt. La nourriture comme les oeufs, le riz, la pâte, les épinards et le céréale cuisine peuvent être difficile à retirer s'ils sont laissés dans les plats de côté pour une longue période de temps.

## CONSEILS POUR UNE OPERATION SILENCIEUSE

### Pour éviter les bruits bruyants durant l'opération:

- Assurez-vous que les articles légers sont placés sûrement dans les supports.
- Assurez-vous que les couverts, les manches, les plaques de four, les plateaux de pizza, etc.. ne touchent pas l'intérieur des murs du lave-vaisselle et n'interviennent pas avec la rotation des bras du jet.
- Chargez les plats de sorte qu'ils ne touchent pas l'un l'autre.

**REMARQUE :** Pour les modèles encastrés, gardez le bouchon de vidange de l'évier fermé durant l'opération du lave-vaisselle pour éviter les bruits de transfert à travers les égouts.

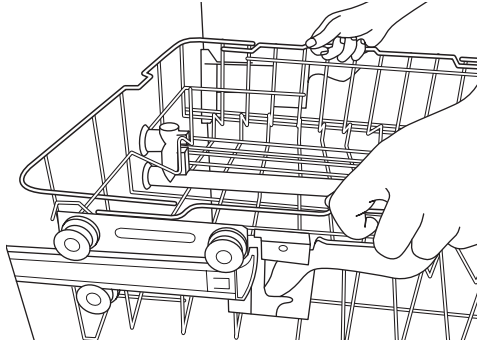
## RÉGLAGE DU PANIER SUPÉRIEUR

La hauteur du panier supérieur peut se régler facilement pour permettre de charger des plats plus grands dans l'un des paniers.

**IMPORTANT :** Retirer toute la vaisselle avant de régler le panier.

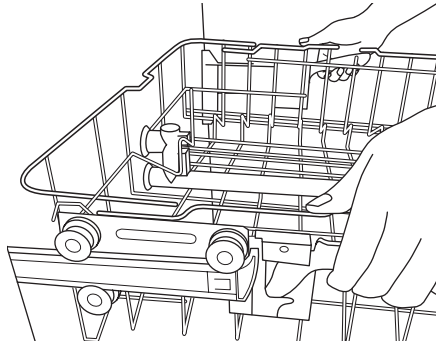
**Pour charger des plats plus grands dans le panier inférieur :**

1. Saisir le panier supérieur des deux côtés et le soulever pour le relever.



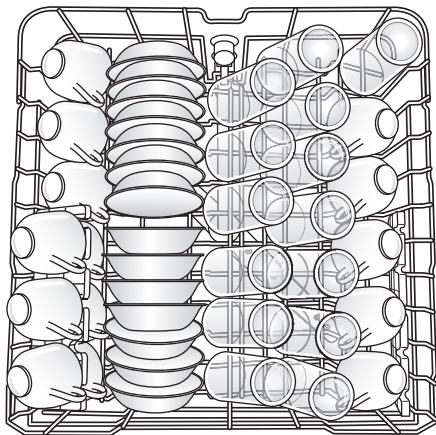
**Pour charger des plats plus grands dans le panier supérieur :**

1. Soulever les bras de réglage de chaque côté pour abaisser le panier supérieur.



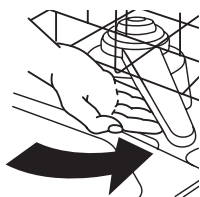
## CHARGEMENT DU SUPPORT SUPERIEUR

Le panier supérieur est conçu pour les tasses, les verres, les petites assiettes, les bols et les articles en plastique lavables au lave-vaisselle.



Charge pour 14 couverts

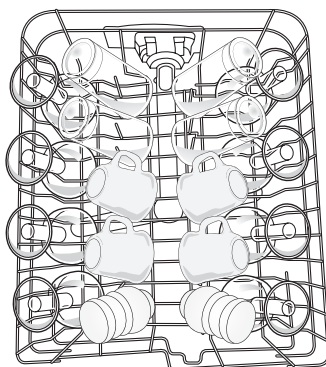
**IMPORTANT :** S'assurer que la vaisselle chargée dans le panier supérieur n'entrave pas la rotation du bras d'aspersion intermédiaire situé sous le panier supérieur. Faire tourner le bras d'aspersion manuellement pour vérifier.



**REMARQUE :** Les caractéristiques du support de votre lave-vaisselle peuvent varier des dessins montres.

- Placez les articles avec l'ouverture vers le bas pour un meilleur nettoyage et séchage.
- Chargez les tasses et verres dans le support supérieur seulement. Le support inférieur n'est pas conçu pour les tasses et verres. Des dommages peuvent occurrer.
- Placez les verres et tasses dans les rangees entre les dents. Si vous les placez sur les dents, vous risquez une rupture et des taches d'eau sur les articles.

- Pour éviter l'écaillage, veiller à ce que les verres à pied ne touchent pas les autres articles. On peut placer dans le panier supérieur des petits bols ou moules et autres petits ustensiles. Placer les bols dans la section centrale pour une meilleure stabilité.



- La porcelaine, le cristal et d'autres articles fragiles ne doivent pas se toucher quand le lave-vaisselle fonctionne. Des dommages peuvent occurer.
- Chargez les articles en plastique d'une façon que la force des jets d'eau ne les deplace pas durant le cycle.

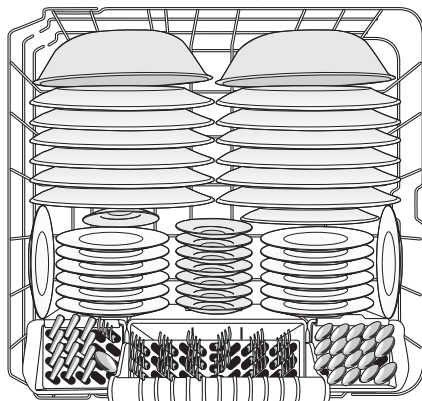
## CHARGEMENT DU SUPPORT INFÉRIEUR

**IMPORTANT :** Les articles de grande taille doivent être placés le long des bords afin de ne pas entraver la rotation du bras d'aspersion intermédiaire ou inférieur et de ne pas obstruer l'ouverture du distributeur de détergent.

Le panier inférieur est conçu pour les assiettes, les bols à soupe, les ustensiles de cuisson et les ustensiles de cuisson au four.

Le panier supérieur réglable permet de charger des articles d'une hauteur maximum de 13".

Les tiges rabattables du panier inférieur permettent de charger plus facilement les articles de grande taille. Les tiges peuvent être laissées déployées pour une utilisation normale, ou repliées pour une plus grande souplesse de chargement.

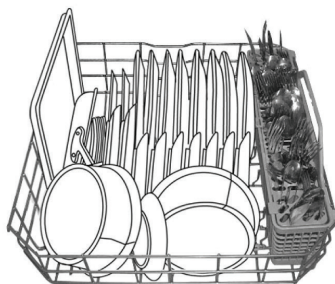


**REMARQUE :** Les caractéristiques du support de votre lave-vaisselle peuvent varier des dessins montres.

- Ne chargez pas les verres, tasses ou des articles en plastique dans le support inferieur. Chargez des petits articles dans le support inferieur seulement s'ils s'ont places securement.
- Chargez les plats, les bols de soupe etc., dans les entrailles.
- Chargez les bols de cereale, de soupe, les bols a servir dans le support dans plusieurs positions dependant de leur taille et forme. Chargez les bols securement dans les entrailles. Ne pas imbriquer les bols car le jet d'eau n'atteindra pas toutes les surfaces.



- Charger les plaques à biscuits, moules à gâteaux et autres gros articles sur les côtés et à l'arrière. N'accumulez pas les bols, car le jet ne pourra pas atteindre toutes les surfaces.

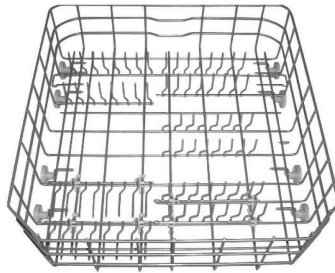


- Placez les ustensils de cuisine sales securement vers le bas du support.
- Assurez vous que les manches et autres articles n'atteignent pas les bras du jet. Les bras doivent tourner librement.
- Ne chargez pas des articles entre le support inferieur et le cote du baquet du lave-vaisselle pour ne pas bloquer l'ouverture d'admission d'eau.

**REMARQUE :** Tournez les bras du jet. Assurez vous que les articles dans le panier n'arretent pas la rotation du bras du jet.

## TIGES RÉGLABLES ET/OU RABATTABLES (SUR CERTAINS MODÈLES)

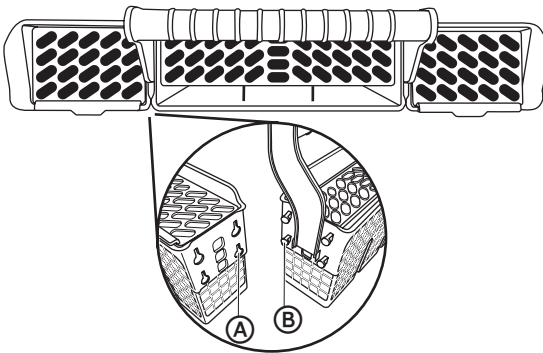
1. Saisir la pointe de la tige qui se trouve dans le support de celle-ci.
2. Retirer délicatement la tige hors du support de la tige.
3. Coucher la rangée de tiges dans le panier ou les régler au besoin pour faire de la place pour des plats plus gros, des bols, casseroles ou rôtissoires.



## PANIER À COUVERTS EN TROIS PARTIES

Le panier à couverts est composé de trois parties distinctes. Pour une flexibilité de chargement optimale, la partie centrale du panier peut être utilisée individuellement ou s'assembler avec une seule ou les deux sections latérales comme désiré.

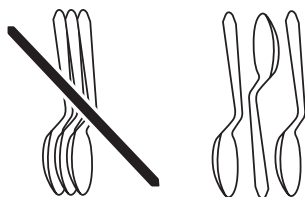
- Soulever la poignée pour retirer le panier à couverts et poser le panier sur un plan de travail ou une table.
- Soulever chaque partie latérale pour dégager la partie centrale des orifices en trou de serrure sur les parties latérales.
- Réinstaller la ou les partie(s) dans le panier inférieur et charger les couverts OU charger les couverts dans la ou les partie(s) sur le plan de travail, puis réinstaller le panier à couverts dans le panier inférieur.



- (A) Orifices en trou de serrure
- (B) Tiges

### REMARQUES :

- Chargez les articles avec couverts vers le bas, en utilisant les séparateurs pour éviter l'accumulation de l'argenterie.
- Placez les petits articles, comme les couverts des biberons, les couvercles des fioles, le support des maïs etc... dans les sections aux couverts articulés. Fermez les couverts pour garder les petits articles en place.
- Videz ou retirez le panier avant de vider les clayettes pour éviter que des gouttes d'eau ne tombent sur les couverts.
- Quand les couverts sont ouverts, mélangez les articles dans chaque section du panier, certains dirigés vers le bas, d'autres vers le haut pour éviter l'accumulation. Le jet ne peut pas atteindre les articles accumulés.



**IMPORTANT :** Chargez toujours les articles pointus, (couteaux, brochettes etc...) vers le bas. S'assurer que rien ne dépasse du fond du panier qui pourrait bloquer le bras d'aspersion.

## UTILISATION DE VOTRE LAVE-VAISSELLE

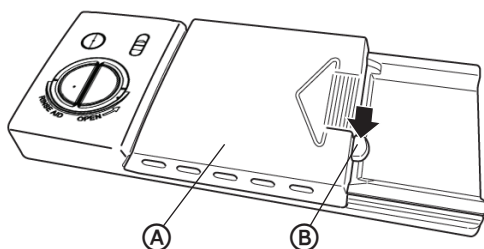
### UTILISATION APPROPRIÉE DE DETERGENT

**IMPORTANT :**

- Utilisez un détergent pour un lavage automatique . Autres détergents peuvent produire une mousse de savon excessive qui pourra déborder hors du lave-vaisselle et réduire l'exécution de lavage.
- Ajoutez le détergent juste avant de commencer le cycle.
- Fermez bien et gardez le détergent dans un endroit frais et sec. Les détergents frais résultent dans un meilleur nettoyage.
- Tous les programmes de lavage, à l'exception de RINSE (rinçage) nécessitent l'ajout de détergent dans le distributeur de détergent.

### DISTRIBUTEUR DE DETERGENT

1. Si le couvercle du distributeur est fermé, l'ouvrir en appuyant sur le loquet du couvercle. Le couvercle glissera vers la droite.

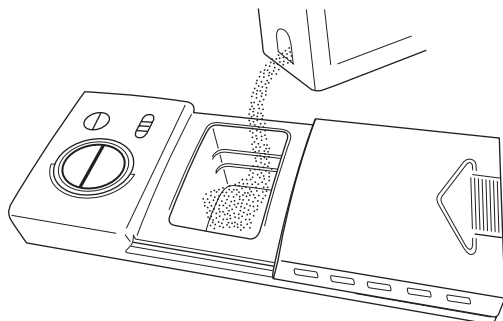


- (A) Couvercle
- (B) Loquet du couvercle



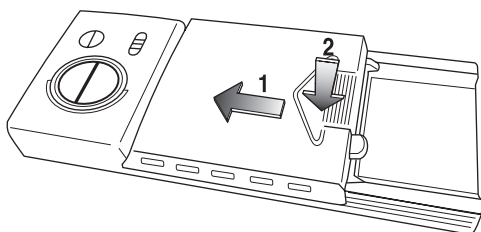
- Ajouter la quantité souhaitée de détergent dans le récipient à détergent.

**REMARQUE :** Si vous utilisez un détergent à lave-vaisselle dans la forme de comprimé ou pac, placez le détergent dans le détergent, PAS dans le bain pour éviter l'usure prématurée du détergent.



**A** Récipient à détergent

- Faire glisser le couvercle à détergent sur la gauche, puis fermer en appuyant sur la flèche striée.



## QUANTITEE DE DETERGENT A UTILISER

La quantité de détergent à utiliser dépend de la dureté de votre eau et le genre de détergent. Si vous utilisez très peu, les plats ne seront pas propres. Si vous utilisez trop et votre eau est trop douce, les verreries graveront.

### Dureté de l'eau

La dureté de l'eau dépend de votre source. Pour des résultats optimaux, le lave-vaisselle a été conçu pour fonctionner avec une eau d'une dureté maximale de 7 grains par gallon. Des trousseaux de test sont disponibles dans tous les principaux magasins de pièces pour gros électroménager. Si la dureté de votre eau est supérieure à 8 grains par gallon, l'installation d'un adoucisseur d'eau ou l'utilisation régulière d'un additif pour rehausser les performances de votre détergent est à envisager.

### Degré de saleté de la charge

En fonction de la quantité de saleté sur la vaisselle, il peut être nécessaire d'ajuster la quantité de détergent.

## UTILISATION CORRECTE DE L'AGENT DE RINÇAGE

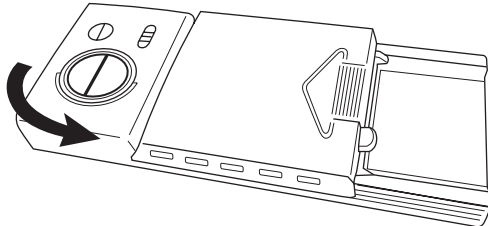
Votre lave-vaisselle est conçu pour être utilisé avec un agent de rinçage LIQUIDE. L'utilisation d'un agent de rinçage rehausse considérablement les performances de séchage après le rinçage final.

Le distributeur d'aide de rinçage empêche l'eau de former des gouttelettes qui peuvent sécher comme taches ou stries. Ils améliorent également le séchage en permettant à l'eau d'égoutter des plats durant le rinçage final et en déchargeant un peu de l'aide de rinçage dans l'eau de rinçage. Votre distributeur d'agent de rinçage est conçu pour utiliser un agent de rinçage liquide. N'utilisez pas le type d'une barre.

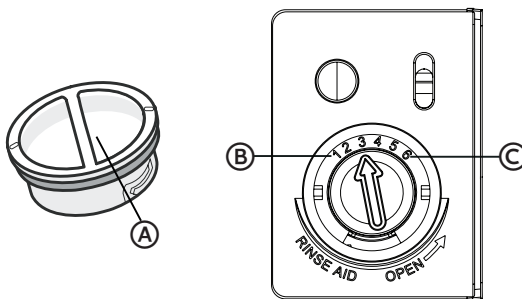
### REPLIR LE DISTRIBUTEUR

Dans des conditions normales, il est nécessaire de remplir le distributeur d'agent de rinçage une fois par mois environ. L'agent de rinçage est libéré à travers une ouverture dans le distributeur. Il n'est pas nécessaire d'attendre que le distributeur soit vide avant de le remplir. Essayer de le garder plein, mais il ne faut pas le remplir excessivement.

1. Ouvrir la porte du lave-vaisselle.
2. Tourner le couvercle du distributeur d'agent de rinçage dans le sens antihoraire et le retirer en tirant vers le haut.



3. Verser l'agent de rinçage dans le distributeur jusqu'à ce que l'indicateur soit sur MAX.
4. La quantité d'agent de rinçage libérée durant le rinçage peut être réglée. Plus le chiffre est élevé, plus la quantité d'agent de rinçage libéré est grande.



- (A) Couvercle du distributeur
- (B) Moins
- (C) Plus

5. Nettoyez n'importe quelle aide de rinçage renversée à l'aide d'un tissu humide.
6. Remplacer le bouchon de liquide de rinçage, puis tourner le bouchon dans le sens horaire pour fermer.

## LAVER DES ARTICLES SPECIAUX

Si vous doutez le nettoyage d'un article particulier, demandez au fabricant si cet article est lavable dans le lave-vaisselle.

Matériel	Utilisable au lave-vaisselle	Commentaires
Aluminium	Possible	Haute temperature d'eau et detergents peuvent affecter la finition de l'aluminium anodise. L'aluminium non fini se decolorera.
Aluminium jetable	Non	Ne pas laver plateaux en aluminium dans le lavevaisselle. Ils peuvent se deplacer et tranferer les marques noires sur les plats.
Bouteilles – Boites	Non	Lavez les a la main. Les etiquettes collees peuvent se detacher et obstruer les bras du jet ou la pompe et reduira l'execution de lavage.
Fonte	Non	L'assaisonnement sera enlève et le fer se rouillera.
Porcelaine/ Poterie de gres	Oui	Avant de laver verifiez la recommandation du fabricant. L'antiquite les articles peints a la main, les motifs emailles peuvent se faner et les articles de feuille d'or peuvent se decolorer et se faner.
Cristal	Oui	Avant de laver , verifiez la recommandation du fabricant. Un certain type de cristal plombe peut graver a l'eau forte a force de laver.
Or	Non	L'argenterie coloree en or se decolorera.
Verrerie	Oui	Les verres pour le lait jaunissent apres un lavage frequent dans le lave- vaisselle.
Couteau au poigne creux	Non	Les poignes de quelques couteaux sont attachees a la lame avec un adhesif qui pourra se detacher une fois laves dans le lave-vaisselle.
L'etain, l'eton et le bronze	Non	Haute temperature d'eau et detergent risquent de decolorer et trouser la finition.
Plastiques jetables	Non	Ne peuvent pas supporter la haute temperature d'eau et detergents.
Plastiques	Oui	Avant de laver, verifiez la recommandation du fabricant. Les plastiques changent dans leur capacite de resister aux temperatures elevees de l'eau et detergent.
Acier inoxydable	Oui	Parcourez un cycle de rincage si vous n'avez pas l'intention de les laver immediatement.  Le contact de la nourriture prolongee comme le sel, vinaigre, produits laiteux ou des jus de fruit peut endommager la finition.

Matériel	Utilisable au lave-vaisselle	Commentaires
Argent sterling ou plaqué	Oui	Parcourez un cycle de rincage si vous n'avez pas l'intention de les laver immédiatement. Un contact prolongé avec la nourriture contenant le sel, l'acide, le sulfure, (oeuf, mayonnaise, fruits de mer) peuvent endommager la finition.
Fer blanc	Non	Pourra se rouiller.
Ustensiles en bois	Non	Lavez à la main. Avant de laver vérifiez les instructions du fabricant. Le bois non traité peut se fendre, déformer ou perdre sa finition.

## SOINS ET ENTRETIENS DU LAVE-VAISSELLE

### NETTOYEZ

#### NETTOYEZ L'EXTERIEUR

En général, l'utilisation d'un tissu doux, humide ou une éponge avec un détergent doux est suffisante pour garder l'extérieur de votre lave-vaisselle propre.

Nettoyer régulièrement la porte et la poignée en acier inoxydable avec un chiffon propre et doux pour retirer les débris.

**IMPORTANT :** Ne pas utiliser de cire pour appareil électroménager, de poli, d'agent de blanchiment ou de produit contenant du chlore pour nettoyer la porte en acier inoxydable.

#### Tableau de commande

Nettoyer délicatement le tableau de commande avec un chiffon propre et doux.

#### NETTOYEZ L'INTERIEUR

La cuve est en acier inoxydable, conçu pour résister à la rouille et à la corrosion si le lave-vaisselle est éraflé ou bosselé.

L'eau calcaireuse peut causer une accumulation du film blanc sur les surfaces intérieures, spécialement sous la porte.

Nettoyez l'intérieur du lave-vaisselle une fois refroidi. Portez des gants en caoutchouc. Utilisez seulement un détergent spécial pour le lave-vaisselle, pour ne pas causer une mousse de savon.

Nettoyer les taches sur l'intérieur en acier de la porte et sur la cuve avec un chiffon propre, doux et humide.

À l'aide d'un chiffon humide, nettoyer régulièrement les contours du joint de la porte pour retirer les débris alimentaires.

## NETTOYAGE DES FILTRES

Le filtre grossier doit être nettoyé régulièrement pour maximiser les performances de lavage.

1. Retirer le panier inférieur.
2. Retirer le filtre grossier en le faisant tourner d'un quart de tour dans le sens antihoraire et en le soulevant.
3. Vider le filtre et le rincer à l'eau courante.
4. Retirer le filtre fin et le micro-filtre et les nettoyer à l'eau courante à bas débit.
5. Reprendre ces étapes dans le sens inverse pour réinstaller les filtres.

## VIDANGEZ L'ESPACE D'AIR

Vérifiez le drain d'espace d'air quand votre lave vaisselle ne draine pas proprement. Quelques Etats ou les codes de plomberie exigent une addition de drain d'espace d'air entre le lave-vaisselle incorporé et le système du drain de la maison. Si le tuyau de vidange est bouché, l'espace d'air du vidange protégera votre lave-vaisselle.

Le drain d'espace d'air est situé au dessus du levier près du lave-vaisselle.

**REMARQUE :** Le drain d'espace d'air est un dispositif externe de plomberie qui ne fait pas partie de votre lave-vaisselle. La garantie de votre lave-vaisselle ne couvre pas les frais de réparation ou nettoyage du drain d'espace d'air.

### Nettoyer votre drain d'espace d'air :

Nettoyez votre drain d'espace d'air périodiquement pour assurer un propre drainage. Suivez les instructions de nettoyage fourni par le fabricant.

### Pour la plupart des types de lave-vaisselle :

1. Éteindre le lave-vaisselle.
2. Enlevez la couverture de chrome. Dévissez le couvercle en plastique.
3. Nettoyer le capuchon en plastique avec un cure-dents.

## EMMAGASINEZ

### EMMAGASINEZ PENDANT LES MOIS D'ÉTÉ

Protégez votre lave-vaisselle pendant les mois d'été en fermant l'alimentation de l'eau et électrique.

### DESTÉARINISATION DE VOTRE LAVE-VAISSELLE

Protégez votre lave-vaisselle et domicile contre les dommages de l'eau provoqués par la congélation des lignes de flottaison. Si votre lave-vaisselle est dans un logement saisonnier ou pourrait être exposé aux températures de congélation, faites détartrer votre lave-vaisselle par un personnel de service autorisé.

## DEPANNAGE

Essayez tout d'abord les solutions suggérées ici et évitez les coûts pour le service de réparation.

### VOTRE LAVE-VAISSELLE NE FONCTIONNE PAS CORRECTEMENT

PROBLÈME	CAUSE POSSIBLE	SOLUTION
<b>Le lave-vaisselle ne fonctionne pas ou s'arrête au cours d'un programme</b>	La plupart des programmes s'interrompt 5 minutes peu après le démarrage pour laisser la vaisselle tremper.	Ceci est normal et réduit la consommation d'énergie nécessaire pour nettoyer la vaisselle.
	La porte n'est pas bien fermée et enclenchée.	Fermer la porte et la verrouiller.
	Le lave-vaisselle n'est pas alimenté.	Remplacer le fusible ou réenclencher le disjoncteur.
	Le moteur s'est arrêté suite à une surcharge.	Le moteur se réactive automatiquement après quelques minutes.
	Le robinet d'arrêt de la canalisation d'eau n'est pas ouvert.	Ouvrir le robinet d'arrêt complètement.
	Certains programmes marquent plusieurs pauses de 15 à 65 secondes durant le lavage principal.	Ceci est normal.
<b>L'option de mise en marche différée a été sélectionnée.</b>		Voir "Options" pour réinitialiser.
<b>Le verrouillage pour enfants est activé.</b>		Désactiver le verrouillage pour enfants. Voir "Options".
<b>Le lave-vaisselle ne se remplit pas</b>	Le dispositif de protection contre le débordement ne peut pas monter et descendre librement.	Appuyer sur le flotteur pour le dégager.
	Le robinet d'alimentation en eau est fermé.	Ouvrir le robinet.
	Le loquet de la porte n'est pas correctement enclenché.	Fermer la porte et la verrouiller.

PROBLÈME	CAUSE POSSIBLE	SOLUTION
<b>La durée d'exécution du programme semble être trop longue</b>	L'eau alimentant le lave-vaisselle n'est pas suffisamment chaude.  Le lave-vaisselle fonctionne plus longtemps durant le chauffage de l'eau et une période d'attente s'ajoute automatiquement pour certains programmes de lavage et de rinçage jusqu'à ce que l'eau atteigne la température appropriée.	Faire couler l'eau dans l'évier voisin jusqu'à ce qu'elle soit suffisamment chaude avant de mettre le lave-vaisselle en marche.
	L'option d'assainissement a été sélectionnée.	La durée du programme s'allonge pour atteindre la température d'assainissement.
	La durée du programme varie en fonction du niveau de saleté.	Lorsqu'un niveau de saleté important est détecté, le programme normal prolonge automatiquement la durée du programme.
<b>Résidus d'eau dans le lave-vaisselle</b>  <b>REMARQUE :</b> Une petite quantité d'eau propre autour de l'orifice au fond de la cuve est normale. Elle garde le joint lubrifié.	Le programme n'est pas terminé ou marque une pause.	L'eau se vidange lorsque le programme est terminé.
	Le tuyau de vidange est déformé.	Redresser le tuyau de vidange.
	L'opercule arrachable est toujours dans le broyeur à déchet.	Retirer l'opercule arrachable.
	Le tuyau de vidange est connecté au broyeur à déchet, et le broyeur à déchet n'est pas vide.	Faire fonctionner le broyeur à déchet jusqu'à ce qu'il soit vide.
	Le système de vidange est obstrué.	Vérifier le dispositif de brise-siphon.
<b>Résidus de détergent dans la section avec couvercle du distributeur</b>	Le programme n'est pas terminé.	Fermer la porte et appuyer sur START/CANCEL (mise en marche/annulation) pour reprendre le programme.
	Le détergent est humide ou s'est aggloméré.	Retirer le détergent et le remplacer avec du détergent frais et sec.
	Un article bloque le distributeur.	Retirer l'article. Retirer le détergent et le remplacer avec du détergent frais et sec.
	Le bras d'aspersion est bloqué.	Charger la vaisselle de manière à ne pas gêner la rotation du bras d'aspersion.

PROBLÈME	CAUSE POSSIBLE	SOLUTION
<b>Résidus d'eau sur le panneau avant</b>	Une trop grande quantité de détergent a été utilisée ou le détergent a trop moussé.	Réduire la quantité de détergent ou changer de marque pour réduire la production de mousse et éliminer les accumulations.
<b>Odeur dans le lave-vaisselle</b>	Odeur dans le lave-vaisselle	Run a Rinse Only cycle once or twice a day until you have a full load.
	Le lave-vaisselle a besoin d'être nettoyé.	Effectuer un rinçage au vinaigre.
<b>Humidité sur le plan de travail de la cuisine</b>	Le lave-vaisselle n'est pas aligné sur le plan de travail. La vapeur qui s'échappe du conduit de ventilation peut se condenser sur le plan de travail.	Régler l'aplomb et aligner le lave-vaisselle.
<b>Bruits</b> <b>Émission de bruits de broyage ou de bourdonnement</b> <b>Signaux sonores</b>	Un objet dur ou des grumeaux de détergent en poudre se sont introduits dans le module de lavage.  Indique que le programme de lavage est terminé.	Retirer l'objet. Le bruit devrait cesser une fois que le détergent est broyé.
<b>Mousse dans la cuve</b>	Utilisation du mauvais détergent.	Utiliser uniquement du détergent approuvé pour utilisation dans un lave-vaisselle automatique.
<b>Le lave-vaisselle fuit</b>	La production excessive de mousse résulte de l'utilisation d'un détergent inadéquat.	Utiliser uniquement du détergent approuvé pour utilisation dans un lave-vaisselle automatique.
<b>Le lave-vaisselle n'est pas de niveau.</b>		Régler l'aplomb du lave-vaisselle. Voir les Instructions d'installation.



## LA VAISSELLE N'EST PAS COMPLÈTEMENT NETTOYÉE

PROBLÈME	CAUSE POSSIBLE	SOLUTION
<b>Résidus de produits alimentaires sur la vaisselle</b>	Le lave-vaisselle n'a pas été chargé correctement.	Voir "Chargement du lave-vaisselle".
	Un programme de lavage inadapté à la charge de vaisselle a été sélectionné.	Sélectionner le programme pour le niveau de saleté le plus difficile de la charge de vaisselle. Si certains articles sont très sales, utiliser un programme de lavage plus intensif.
	La température de l'eau est trop basse.	Pour obtenir de meilleurs résultats de lavage, la température de l'alimentation en eau doit être de 120 °F (49 °C) à son entrée dans le lave-vaisselle.
	Quantité incorrecte de détergent utilisée.	Utiliser l'équivalent d'une cuillère à soupe (15 g) au minimum de détergent. (15 g) par charge. Une vaisselle très sale et/ou une eau dure nécessitent généralement un supplément de détergent.
	Le détergent est trop vieux.	Pour qu'il soit efficace, il faut que le détergent soit frais. Remiser le détergent dans un endroit frais et sec.
	Le détergent forme des grumeaux dans le distributeur.	Ne pas laisser le détergent pendant plusieurs heures dans un distributeur humide. Nettoyer le distributeur et le remplir avec du détergent frais et sec.
	La pompe ou le bras d'aspersion est obstrué(e) par des étiquettes de bouteilles et de cannettes.	Inspecter la pompe et le bras d'aspersion et retirer toute étiquette le cas échéant.
	La pression de l'eau alimentant le domicile est trop basse.	La pression d'eau devrait être comprise entre 20 et 120 lb/po2 (138 à 828 kPa) pour un remplissage adéquat du lave-vaisselle. Si la pression est insuffisante, il peut être nécessaire d'installer une pompe de surpression.
	Une quantité importante de mousse ralentit le bras d'aspersion.	Utiliser uniquement le détergent recommandé pour le lave-vaisselle. Ne pas utiliser de savon ou de détergent à lessive.

## PRÉSENCE DE TACHES SUR LA VAISSELLE

PROBLÈME	CAUSE POSSIBLE	SOLUTION
<p><b>Taches et films sur la vaisselle</b></p> <p><b>REMARQUE :</b> Pour éliminer les taches et les films de la vaisselle. Essayer un rinçage au vinaigre blanc. Cette méthode ne doit être utilisée qu'occasionnellement. Le vinaigre est un acide et son utilisation trop fréquente pourrait endommager le lave-vaisselle. Voir "Nettoyage".</p>	Eau dure. L'eau contient une concentration élevée de minéraux.	Utiliser un agent de rinçage et maintenir le distributeur rempli pour mieux éliminer les taches et les films. Si la dureté de l'eau de votre domicile est de 13 grains ou plus, il est fortement recommandé d'installer un adoucisseur d'eau à votre domicile.
	La température de l'eau est trop basse.	Pour obtenir de meilleurs résultats de lavage, la température de l'eau doit être de 120 °F (49 °C) à son entrée dans le lave-vaisselle.
	Une quantité insuffisante de détergent a été utilisée.	Utiliser l'équivalent d'une cuillère à soupe (15 g) au minimum de détergent par charge. Une vaisselle très sale et/ou une eau dure nécessite(nt) généralement un supplément de détergent.
	Le détergent est trop vieux.	Pour qu'il soit efficace, il faut que le détergent soit frais et sec. Remiser le détergent dans un endroit frais et sec.
	La pression de l'eau du domicile est trop basse pour remplir correctement le lave-vaisselle.	La pression d'eau vers le domicile devrait être comprise entre 20 et 120 lb/po <sup>2</sup> (138 à 828 kPa) pour un remplissage adéquat du lave-vaisselle. Si la pression est insuffisante, il peut être nécessaire d'installer une pompe de surpression.
	Le distributeur d'agent de rinçage est vide.	Ajouter de l'agent de rinçage dans le distributeur

PROBLÈME	CAUSE POSSIBLE	SOLUTION
<b>Film de silice ou attaque</b>	Il y a parfois une réaction chimique de l'eau avec certains types de verres. Ceci est habituellement imputable à certaines combinaisons d'eau adoucie, à une solution de lavage alcaline, à un rinçage insuffisant, à un chargement excessif du lave-vaisselle ou à la chaleur de séchage.	Il n'est pas possible d'éliminer le film de silice ou l'effet de l'attaque chimique qui demeurent en permanence. Pour ralentir ce processus, utiliser la quantité minimale de détergent, mais pas moins d'une cuillerée à soupe (15 g) par charge. Utiliser un agent de rinçage liquide, et ne pas trop charger le lave-vaisselle pour permettre un rinçage en profondeur. Ne pas utiliser un séchage avec chaleur.
	La température d'arrivée d'eau est supérieure à 150 °F (65 °C).	Diminuer la température d'arrivée d'eau.
<b>Taches blanches sur les ustensiles de cuisson à revêtement anti-adhésif</b>	Le détergent du lave-vaisselle a éliminé la patine des ustensiles de cuisson.	Reculotter la patine des ustensiles de cuisson après le lavage au lave-vaisselle.
<b>Taches marron sur la vaisselle et les surfaces internes du lave-vaisselle</b>	Eau à haute teneur en fer.	Laver de nouveau la vaisselle après avoir versé 1 à 3 c. à thé (5-15 mL) de cristaux d'acide citrique dans le distributeur de détergent. Ne pas utiliser de détergent à linge. Exécuter ensuite un programme de lavage Normal avec détergent.
<b>Marques noires ou grises sur la vaisselle</b>	Des articles en aluminium frottent contre la vaisselle durant le lavage. Les articles en aluminium jetables peuvent se briser dans le lave-vaisselle et causer des marques.	Laver les articles en aluminium à la main. Pour éliminer les marques d'aluminium, employer un produit de nettoyage moyennement abrasif.
<b>Taches orange sur les articles de plastique ou les surfaces internes du lave-vaisselle</b>	De la vaisselle sur laquelle il y a une quantité considérable de résidus alimentaires à base de tomates a été chargée dans le lave-vaisselle.	Utiliser un produit d'élimination des taches pour éliminer les taches du lave-vaisselle. Les taches n'affectent pas la performance du lave-vaisselle.

## LA VAISSELLE N'EST PAS COMPLÈTEMENT SÈCHE

PROBLÈME	CAUSE POSSIBLE	SOLUTION
<b>La vaisselle n'est pas complètement sèche</b>  <b>REMARQUE :</b> Les articles en plastique doivent souvent être séchés avec un torchon.	La vaisselle n'a pas été chargée correctement de manière à permettre à l'eau de se vidanger.	Ne pas surcharger le lave-vaisselle. Placer les verres et les tasses dans le panier de manière à ce que la surface du fond soit inclinée pour permettre à l'eau de se vidanger.
	Non-utilisation d'agent de rinçage ou distributeur vide.	Utiliser un agent de rinçage liquide pour sécher rapidement et maintenir le distributeur rempli.
	Utiliser un séchage à l'air ou une option d'économie d'énergie.	Utiliser une option de séchage avec chauffage pour une vaisselle plus sèche.

## LA VAISSELLE EST ENDOMMAGÉE AU COURS D'UN PROGRAMME

PROBLÈME	CAUSE POSSIBLE	SOLUTION
<b>La vaisselle est écaillée</b>  <b>REMARQUE :</b> Les antiquités, le cristal très mince et certains types de faïence et de verre peuvent être trop délicats pour le lavage automatique. Laver à la main.	La vaisselle n'est pas chargée correctement.	Charger la vaisselle et les verres de telle manière qu'ils soient stables et qu'ils ne s'entrechoquent pas lors du lavage.
	Vous avez rentré ou sorti les paniers du lave-vaisselle trop brusquement.	Minimiser l'écaillage en déplaçant lentement les paniers.

## CODES D'ERREUR

Code	Significations	Causes possibles
<b>E1</b>	Arrivée d'eau plus longue que d'habitude.	Le robinet n'est pas ouvert, ou l'arrivée d'eau est obstruée ou la pression de l'eau est trop basse.
<b>E4</b>	Débordement	Un élément du lave-vaisselle fuit.
<b>E8</b>	Échec de l'orientation de la valve de distribution.	Circuit ouvert ou valve de distribution cassée.
<b>E9</b>	Un bouton doit être pressé pendant plus de 30 secondes.	Eau ou substance sur le bouton.

**POUR OBTENIR DE L'AIDE SUPPLÉMENTAIRE, VISITER HAIER.COM OU CONTACTER LA LIGNE D'ASSISTANCE À LA CLIENTÈLE AU 1-877-377-3639.**

# GARANTIE LIMITÉE

## SERVICE À DOMICILE

### GARANTIE COMPLÈTE DE DEUX ANS

Pendant 24 mois à compter de la date d'achat d'origine, Haier réparera ou remplacera gratuitement n'importe quelle pièce (main-d'œuvre comprise) comportant un défaut de matériau ou de fabrication.

Haier peut choisir à sa seule discrétion de remplacer ou réparer des pièces, des sous-systèmes ou le produit tout entier.

Le produit doit être accessible, dégagé et installé correctement pour bénéficier du service de réparation sous garantie.

### GARANTIE LIMITÉE

**REMARQUE :** Cette garantie prend effet à la date à laquelle l'article a été acheté et le reçu de l'achat d'origine doit être présenté au représentant de dépannage autorisé avant qu'une quelconque réparation sous garantie ne soit effectuée.

**Exceptions :** Garantie à usage commercial

**90 jours sur la main-d'œuvre à compter de la date d'achat d'origine**

**90 jours sur les pièces à compter de la date d'achat d'origine**

**Aucune autre garantie ne s'applique.**

### SERVICE AU TITRE DE LA GARANTIE

Contactez le centre de dépannage autorisé le plus proche. Tout dépannage doit être effectué par un centre de dépannage autorisé Haier. Pour le nom et le numéro de téléphone du centre de dépannage autorisé le plus proche de votre domicile, composer le 1-877-337-3639.

Avant d'appeler le centre, veuillez garder à disposition les renseignements suivants :

Numéros de plaque signalétique de l'appareil. Le nom et l'adresse du revendeur auprès duquel vous avez acheté l'appareil, ainsi que la date d'achat.

Une description claire du problème rencontré.

Une preuve d'achat (reçu de vente).

**Cette garantie est valable pour le service des appareils domestiques aux États-Unis contigus et au Canada et lorsque le service est disponible, en Alaska, à Hawaï et Porto Rico.**

**Cette garantie ne couvre pas :**

Le remplacement ou la réparation des fusibles, disjoncteurs, du câblage ou du circuit de plomberie du domicile.

Un produit dont le numéro de série d'origine a été enlevé ou modifié.

Tous frais de dépannage non identifiés comme étant normaux tel un dépannage dans une zone ou une tranche horaire normale.

Les dommages liés à l'expédition.

Les dommages liés à une installation ou un entretien inadapté.

Les dommages causés par l'un des éléments suivants : Mauvaise utilisation, utilisation abusive, accident, incendie ou catastrophe naturelle.

Les dommages résultant d'un dépannage fourni par une entité autre qu'un revendeur ou centre de dépannage autorisé Haier.

Les dommages causés par un courant, une tension ou une alimentation électrique incorrects.

Les dommages résultant d'une quelconque modification ou altération du produit ou d'un ajustement non autorisé par Haier.

Un ajustement des commandes utilisées par le consommateur tel qu'identifié dans le manuel de l'utilisateur.

Les tuyaux, boutons, plateaux à charpie et tout accessoire ou pièce jetable.

Les frais de main-d'œuvre, transport pour dépannage et d'expédition pour le retrait et le remplacement de pièces défectueuses au-delà de la période de 24 mois.

Les dommages liés à une utilisation autre qu'une utilisation domestique normale.

Tout frais de transport et d'expédition.

**CETTE GARANTIE LIMITÉE REMPLACE TOUTE AUTRE GARANTIE EXPRESSE OU IMPLICITE, Y COMPRIS, MAIS PAS SEULEMENT, LES GARANTIES IMPLICITES, Y COMPRIS LES GARANTIES DE QUALITÉ MARCHANDE OU D'APTITUDE À UN USAGE PARTICULIER**

Le recours offert dans cette garantie est exclusif et se substitue à toute autre garantie.

Cette garantie ne couvre pas les dommages fortuits ou indirects; aussi les limitations décrites ci-dessus peuvent ne pas s'appliquer à votre cas. Certains États ne permettent pas de limitation sur la durée d'une garantie implicite, aussi les limitations décrites ci-dessus peuvent ne pas s'appliquer à votre cas.

Cette garantie vous confère des droits juridiques spécifiques. Vous pouvez également jouir d'autres droits qui peuvent varier d'un État à l'autre.

Haier America  
Wayne, NJ 07470

# ÍNDICE

<b>SEGURIDAD DE LA LAVAVAJILLAS</b> .....	<b>69</b>
<b>REQUISITOS DE UBICACIÓN</b> .....	<b>72</b>
<b>REQUISITOS ELÉCTRICOS</b> .....	<b>73</b>
<b>REQUISITOS DEL SUMINISTRO DE AGUA</b> .....	<b>73</b>
<b>PIEZAS Y CARACTERÍSTICAS</b> .....	<b>74</b>
Sistema de filtros .....	75
Sistema sensor wash (lavado por sensor) .....	75
<b>GUÍA DE PUESTA EN MARCHA</b> .....	<b>76</b>
Cómo limpia su lavavajillas .....	76
Uso de su nueva lavavajillas .....	76
<b>CONTROLES</b> .....	<b>77</b>
Tabla de ciclos .....	80
<b>CARGA DEL LAVAVA JILLAS</b> .....	<b>83</b>
Carga de la rejilla superior .....	85
Carga de la rejilla inferior .....	86
<b>USO DEL LAVAVAJILLAS</b> .....	<b>89</b>
Uso correcto del detergente .....	89
Uso apropiado del agente de enjuague .....	91
Cómo lavar objetos especiales .....	92
<b>CUIDADO DEL LAVAVA JILLAS</b> .....	<b>93</b>
Limpieza .....	93
Cuidado del lavavajillas .....	94
<b>SOLUCIÓN DE PROBLEMAS</b> .....	<b>95</b>
Códigos de error .....	102
<b>GARANTÍA LIMITADA</b> .....	<b>103</b>

## INFORMACIÓN A TENER EN CUENTA

Le agradecemos la compra de este producto de marca Haier. Este manual para el usuario le ayudará a obtener el mejor funcionamiento de su nueva lavavajillas.

Para referencia futura, anote el número de modelo y de serie en el cuadro el marco interior de la lavavajillas, y la fecha de compra.

Engrape la prueba de compra a este manual para asistirle cuando necesite obtener servicio bajo la garantía.

\_\_\_\_\_  
Número de modelo

\_\_\_\_\_  
Número de serie

\_\_\_\_\_  
Fecha de compra

## SEGURIDAD DE LA LAVAVAJILLAS

### Su seguridad y la seguridad de los demás es muy importante.

Hemos incluido muchos mensajes importantes de seguridad en este manual y en su electrodoméstico. Lea y obedezca siempre todos los mensajes de seguridad.



Este es el símbolo de advertencia de seguridad.

Este símbolo le llama la atención sobre peligros potenciales que pueden ocasionar la muerte o una lesión a usted y a los demás. Todos los mensajes de seguridad irán a continuación del símbolo de advertencia de seguridad y de la palabra "PELIGRO", "ADVERTENCIA" o "PRECAUCIÓN".

Estas palabras significan:

**! PELIGRO**

Se trata de una situación de peligro inminente. Si no sigue las instrucciones de inmediato, usted puede morir o sufrir una lesión grave.

**! ADVERTENCIA**

Se trata de una situación posiblemente peligrosa que, de no evitarse, podría causar la muerte o una lesión grave.

**! PRECAUCIÓN**

Se trata de una situación posiblemente peligrosa que, de no evitarse, podría causar lesiones moderadas o leves.

Todos los mensajes de seguridad le dirán el peligro potencial, le dirán cómo reducir las posibilidades de sufrir una lesión y lo que puede suceder si no se siguen las instrucciones.

# INSTRUCCIONES IMPORTANTES DE SEGURIDAD

**ADVERTENCIA:** Para reducir el riesgo de incendio, choque eléctrico, lesiones a personas o daños al utilizar la lavavajillas, siga precauciones básicas, incluyendo las siguientes:

- Las lavavajillas domésticas certificadas no han sido diseñadas para los establecimientos con licencia para alimentos.
- Use la lavavajillas solamente para la función para la que fue creada.
- Use solo detergentes o agentes de enjuague recomendados para usar con esta lavavajillas y manténgalos fuera del alcance de los niños.
- Cuando coloca los artículos que lavará:
  - 1) Ubique los artículos filosos para que no dañen el sello de la puerta.
  - 2) Coloque los cuchillos filosos con los mangos hacia arriba para reducir el riesgo de lesiones cortantes.
- No lave artículos de plástico que no lleven la indicación "lavables en la lavavajillas" u otra similar. Lea las recomendaciones del fabricante para los artículos de plástico que no lleven tal indicación.
- Si la lavavajillas desagua en un triturador de alimentos, asegúrese de que el triturador esté completamente vacío antes de poner en marcha la lavavajillas.
- No trate de forzar ni anular los controles y bloqueos.
- No toque el elemento calefactor durante o inmediatamente después del uso.
- No haga funcionar la lavavajillas a menos que todos los paneles de la carcasa estén colocados debidamente en su lugar.
- No juegue con los controles.
- No abuse, ni se siente ni se pare sobre la puerta, la tapa o la canastas de platos de la lavavajillas.
- Para reducir el riesgo de lesiones, no permita que los niños jueguen dentro ni sobre la lavavajillas.
- En ciertas condiciones, un sistema de agua caliente que no ha sido usado por dos semanas o más puede producir gas hidrógeno. **EL GAS HIDRÓGENO ES EXPLOSIVO.** Si el sistema de agua caliente no ha sido usado por ese período, abra todos los grifos de agua caliente y deje que corra el agua por varios minutos antes de usar la lavavajillas. Esto liberará todo el gas hidrógeno que se haya acumulado. Debido a que el gas es inflamable, no fume ni encienda ninguna llama abierta durante este tiempo.
- No almacene ni use materiales combustibles, gasolina u otros vapores y líquidos inflamables cerca de éste o cualquier otro electrodoméstico.



# INSTRUCCIONES IMPORTANTES DE SEGURIDAD

- No utilice la lavavajillas si tiene el suministro de energía o el enchufe dañado. No enchufe la lavavajillas en un tomacorriente dañado.
- No use un cable eléctrico de extensión.
- Cuando deseche una vieja lavavajillas, retire la puerta del compartimiento de lavado. De esta manera, reducirá la posibilidad de peligro para los niños.

## LEA Y GUARDE ESTAS INSTRUCCIONES

### INSTRUCCIONES PARA LA CONEXIÓN A TIERRA

#### **Para la conexión de una lavavajillas mediante cable eléctrico conectado a tierra:**

La lavavajillas debe estar conectada a tierra. En el caso de funcionamiento defectuoso o avería, la conexión a tierra reducirá el riesgo de choque eléctrico al proporcionar una vía de menor resistencia para la corriente eléctrica. La lavavajillas está equipada con un cable que cuenta con un conductor para la conexión a tierra del equipo y un enchufe de conexión a tierra. El enchufe debe conectarse a un contacto apropiado, que esté instalado y conectado a tierra de acuerdo con todos los códigos y ordenanzas locales.

**ADVERTENCIA:** La conexión incorrecta del conductor de tierra del equipo puede resultar en un riesgo de descarga eléctrica.

Consulte con un electricista o representante de servicio calificado si tiene dudas sobre si el lavavajillas está conectado a tierra correctamente. No modifique el enchufe que viene con el lavavajillas ; si no encaja en el tomacorriente, instale una toma adecuada por un electricista calificado.

#### **Para un lavavajillas conectado permanentemente:**

El lavavajillas debe estar conectado a un metal con conexión a tierra , sistema de cableado permanente , o un conductor de tierra del equipo debe correr con los conductores del circuito y conectado al terminal de tierra del equipo o llevar en el lavavajillas.

## GUARDE ESTAS INSTRUCCIONES

## **! ADVERTENCIA**



### **Peligro de Vuelco**

No use la lavavajillas antes de estar completamente instalada.

No se apoye en la puerta abierta.

No seguir estas instrucciones puede ocasionar heridas serias o cortaduras.

## **! ADVERTENCIA**

### **Peligro de asfixia**

Antes de deshacerse de su viejo aparato, quítele la puerta o la tapa, para que los niños no puedan esconderse ni quedar atrapados dentro del mismo.

No seguir esta instrucción puede ocasionar la muerte o daño al cerebro.

## **REQUISITOS DE UBICACIÓN**

- Instale su lavavajillas en un lugar protegido de las inclemencias del tiempo. Protéjala contra las temperaturas bajo cero para evitar posibles roturas de la válvula de llenado. Dichas roturas no están cubiertas por la garantía. Vea "Almacenamiento" en la sección "Cuidado de su lavavajillas" para obtener información acerca de cómo prepararla para el invierno.
- Instale y nivele la lavavajillas en un piso que pueda soportar su peso y en un área adecuada para su tamaño y uso.

## REQUISITOS ELÉCTRICOS

### ! ADVERTENCIA



#### **Peligro de Choque Eléctrico**

Conecte la lavavajillas a tierra.

Conecte el cable de puesta a tierra al conector verde a tierra en la caja de terminales.

No use un cable eléctrico de extensión.

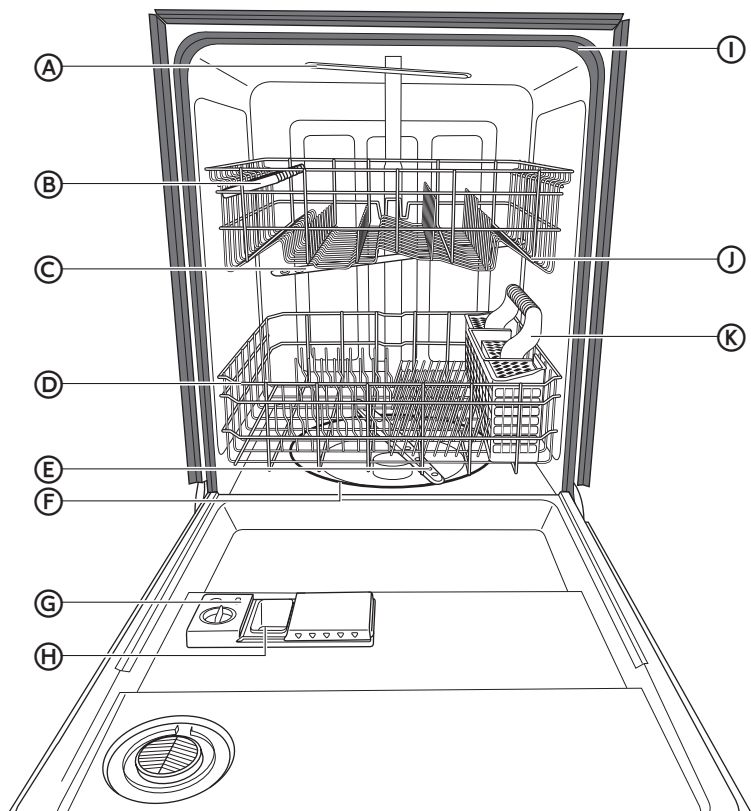
No seguir estas instrucciones puede ocasionar la muerte, incendio o choque eléctrico.

Esta lavavajillas está diseñada para funcionar en un circuito individual debidamente cableado de 120 V, 60 Hz. Solo use un suministro eléctrico de 15 amperios con cable de cobre y protegido con fusibles. Se recomienda el empleo de un fusible retardador o un cortacircuitos, y se proporciona un circuito separado que preste servicio únicamente a este electrodoméstico. El tomacorriente debe colocarse en el gabinete adyacente.

## REQUISITOS DEL SUMINISTRO DE AGUA

La temperatura del suministro de agua debe ser entre 120 °F y 150 °F (49 °C y 66 °C).

## PIEZAS Y CARACTERÍSTICAS

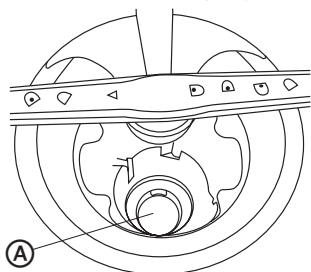


- |  |   |
|--|---|
| <b>A</b> Brazo rociador superior             | <b>G</b> Depósito de agente de enjuague         |
| <b>B</b> Estante para tazas                  | <b>H</b> Depósito de detergente                 |
| <b>C</b> Brazo rociador de la zona media     | <b>I</b> Junta de la tina                       |
| <b>D</b> Brazo rociador de la parte inferior | <b>J</b> Canasta superior ajustable             |
| <b>E</b> Canasta inferior                    | <b>K</b> Canastilla de cubiertos de tres piezas |
| <b>F</b> Elemento calefactor                 |   |

ESPECIFICACIONES	
Capacidad:	14 puestos
Dimensiones (ancho x profundidad x alto):	237/8" x 259/16" x 333/4" (606 x 650 x 857 mm)
Peso desempacado:	94 libras (42,5 kg)
Suministro eléctrico:	120 voltios, 60 Hz
Uso de la potencia nominal:	Motor de lavado 50 W Calefactor 840 W
Presión de alimentación de agua:	20 ~ 120 lb/in <sup>2</sup> (138 ~ 828 kPa)

## SISTEMA DE FILTROS

Su lavavajillas cuenta con un sistema de filtros múltiples. En el sistema hay tres filtros, un filtro grueso diseñado para contener objetos de gran tamaño como palillos de dientes, un filtro fino diseñado para contener maíz, frijoles, etc. y un microfiltro diseñado para contener partículas muy pequeñas. Separa el agua sucia del agua limpia en diferentes cámaras permitiendo que su lavavajillas obtenga los mejores resultados utilizando menos agua y energía.



Ⓐ Ubicación del filtro

## SISTEMA SENSOR WASH (LAVADO POR SENSOR)

Su lavavajillas cuenta con un sistema de detección de suciedad de alimentos. Cuando una carga parcial de platos con poca suciedad se coloca en la lavavajillas, un ciclo de lavado similar a un lavado corto se activará automáticamente. Cuando se coloca una carga completa de platos muy sucios en la unidad, un ciclo de lavado intenso se activará automáticamente. Su lavavajillas puede determinar el tipo de ciclo requerido para limpiar los platos y limpiará más eficientemente en cada lavado.

## GUÍA DE PUESTA EN MARCHA

Antes de usar su lavavajillas, quite todos los materiales de embalaje. Lea todo este Manual de uso y cuidado. Usted encontrará información de seguridad importante así como consejos útiles para la operación.

### CÓMO LIMPIA SU LAVAVAJILLAS

Su lavavajillas limpia rociando una mezcla de agua caliente y detergente a través de los brazos rociadores sobre las superficies sucias.

La lavavajillas se llena de agua cubriendo el área del filtro. El agua bombea a través de múltiples filtros y brazos rociadores. Las partículas de suciedad separadas van hacia el conducto de desagüe a medida que se bombea el agua y se reemplaza con agua limpia.

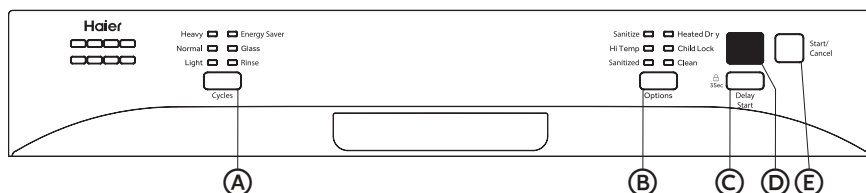
Si se activa el sistema Sensor Wash (Lavado por sensor), el número de llenados de agua puede variar de acuerdo con el ciclo que se utiliza.

### USO DE SU NUEVA LAVAVAJILLAS

1. Cargue el lavavajillas correctamente. Consulte Carga del Lavavajillas”.
2. Agregue el detergente. Vea “Uso apropiado del detergente”.
3. Agregue el agente de enjuague. Vea “Uso apropiado del agente de enjuague”.
4. Cierre la puerta con fuerza para trabarla.
5. Seleccione el CYCLE (Ciclo) deseado. Vea “Tabla de ciclos” y “Ciclos.” La luz indicadora al lado de Cycle (Ciclo) destellará cuando se selecciona.
6. Seleccione las OPTIONS (Opciones) deseadas. Vea “Opciones”. La luz indicadora al lado de Option (Opción) se iluminará cuando se selecciona.
7. Abra el grifo de agua caliente más cercano a la lavavajillas hasta que el agua esté caliente. Cierre la llave del agua.
8. Para comenzar, presione el botón Start/Cancel (Inicio/Anular).

**NOTA:** La lavavajillas está programada para recordar el último ciclo, por lo tanto usted no debe volver a fijarlo cada vez que la utilice. Para iniciar la lavavajillas usando el mismo ciclo y las opciones seleccionadas en el lavado anterior, simplemente presione el botón Start/Cancel (Inicio/Anular).

# CONTROLES



## Ⓐ CYCLES (CICLOS)

Presione el botón Cycles (Ciclos) para cambiar los ciclos de lavado. La luz al lado del ciclo se ilumina para indicar el ciclo seleccionado.

### HEAVY (Intenso)

Este ciclo es para platos, ollas y cacerolas difíciles de limpiar y que están muy sucios.

### NORMAL

Este ciclo es para platos y cubiertos con suciedad de todos los días.

### LIGHT (Ligero)

Este ciclo es para platos y cubiertos enjuagados y ligeramente sucios.

### ENERGY SAVER (Ahorro de energía)

Este ciclo es para platos y cubiertos enjuagados y ligeramente sucios.

### GLASS (Cristal)

Este ciclo es para cristalería ligeramente sucia.

### RINSE (Enjuagar)

Este ciclo es para enjuagar platos o vasos. Este ciclo es solamente un enjuague, el cual evita que la comida se seque en los platos y reduce la acumulación de olor en su lavavajillas hasta que usted esté listo para lavar una carga completa. No use detergente.

## Ⓑ OPTIONS (OPCIONES)

Presione el botón Options (Opciones) para cambiar las opciones. La luz al lado de la opción se ilumina para indicar el ciclo seleccionado.

**NOTA:** La luz indicadora de Clean (Limpiar) se ilumina para indicar el final del ciclo de lavado. La luz se apagará después de que la puerta se haya desbloqueado durante 30 segundos.

## **SANITIZE (Higienizar)**

**ADVERTENCIA:** Solamente los ciclos de higienizado se diseñaron para cumplir con los requisitos de grado 6 para la eliminación de suciedad y la eficacia en el higienizado. No existe intención, ya sea directa o indirecta, de que todos los ciclos de una lavavajillas certificada hayan pasado la prueba de desempeño de higienizado.

La opción Sanitize (Higienizar) higieniza los platos y la cristalería según el Estándar Internacional de NSF NSF/ANSI 184 para lavavajillas domésticas. Las lavavajillas domésticas certificadas no han sido diseñadas para utilizarse en los establecimientos con licencia para alimentos.

Esta opción está disponible para todos los ciclos, excepto Glass (Cristal) y Rinse (Enjuagar).

Cuando se selecciona la opción Sanitize (Higienizar), la temperatura del agua alcanzará los 158 °F (70 °C) como máximo.

La luz indicadora de Sanitized (Higienizado) se ilumina para indicar cuando el ciclo de lavado con la opción Sanitize (Higienizar) se ha completado. La luz se apagará después de que la puerta se haya desbloqueado durante 30 segundos.

**NOTA:** Es posible que el agua no alcance los 158 °F (70 °C) en el modo Sanitize (Higienizar), si la temperatura del agua caliente entrante no cumple el requisito mínimo de 120 °F (49 °C).

### **HI TEMP (Temperatura alta)**

Esta opción está disponible para todos los ciclos, excepto Glass (Cristal) y Rinse (Enjuagar).

Cuando se selecciona la opción Hi Temp (Temperatura alta), la temperatura del agua alcanzará los 140 °F (60 °C) como máximo.

### **HEATED DRY (Secado con calor)**

Esta opción está disponible para todos los ciclos, excepto Rinse (Enjuagar).

Cuando se selecciona la opción Heated Dry (Secado con calor), el calentador trabajará durante el proceso de secado.

### **CHILD LOCK (Bloqueo para niños)**

Usted puede bloquear todos los controles para evitar cambiar involuntariamente el ciclo de la lavavajillas o poner en marcha la lavavajillas. La luz al lado de Child Lock (Bloqueo para niños) se iluminará para indicar que el panel de control está bloqueado.

- Mantenga presionado el botón Delay Start (Inicio diferido) durante 3 segundos para bloquear/desbloquear el panel de control.



## Ⓒ DELAY START (INICIO DIFERIDO)

Para retrasar el comienzo de un ciclo seleccionado, presione el botón Delay Start (Inicio diferido) hasta que el tiempo diferido deseado aparezca en la pantalla LED. Puede retrasar el inicio de su lavavajillas de 1 a 24 horas. Para anular la opción Delay Start (Inicio diferido), e iniciar el ciclo de lavado durante el período de retraso, presione el botón Start/Cancel (Inicio/Anular). El ciclo seleccionado comenzará inmediatamente.

## Ⓓ PANTALLA LED

Muestra el tiempo restante en el ciclo de lavado, horas de retraso y códigos de error.

### Tiempo restante

El tiempo restante en un ciclo mostrará horas y minutos alternativamente (1H-2H o 0-59).

**NOTA:** El tiempo restante podría aumentar o disminuir por varios minutos. Esto significa que el sensor inteligente ha comprobado el nivel de suciedad y determina si se necesita un llenado de agua adicional o si se puede reducir la cantidad programada de llenados de agua.

### Horas de retraso (1 a 24)

Si se selecciona la opción Delay Start (Inicio diferido), el tiempo seleccionado aparece en la pantalla. Si el ciclo se está ejecutando, el tiempo restante aparece en la pantalla.

### CL

"CL" aparecerá cuando se presione el botón Start/Cancel (Inicio/Anular). "CL" destella si la puerta se abre durante un ciclo de lavado. Cierre la puerta de la lavavajillas para iniciar o continuar un ciclo de lavado.

### Indicador de error

En las situaciones que son fundamentales para el uso y el funcionamiento seguro de la lavavajillas, el control se apagará e indicará un código de error (Er) en la pantalla LED. Vea "Códigos de error" en la sección Solución de problemas. Si aparece un código de error, póngase en contacto con el Servicio técnico para asistencia con la solución del problema, o para obtener ayuda localizando un técnico de servicio autorizado.

## Ⓔ START/CANCEL (INICIO/ANULAR)

**Inicio** - Cierre la puerta con firmeza. Seleccione el ciclo de lavado y las opciones que desee. La luz indicadora al lado del ciclo y las opciones seleccionadas se encenderán cuando se activa. Presione una vez el botón Start/Cancel (Inicio/Anular).

**Pausa** - Para hacer una pausa o detener la lavavajillas durante un ciclo, abra la puerta lentamente permitiendo que se escape el vapor caliente. La lavavajillas dejará de funcionar. Verifique el depósito del detergente. Si la sección de lavado principal del depósito del detergente aún está cerrada, puede agregar artículos.

**Anular** - Para anular un ciclo cuando la lavavajillas está en funcionamiento, presione una vez el botón Start/Cancel (Inicio/Anular). La lavavajillas iniciará un desagüe de 60 segundos, y luego se apagará. Al final del desagüe, puede seleccionar el ciclo de lavado deseado y reiniciar.

## TABLA DE CICLOS

Seleccione el ciclo de lavado y la opción deseada. A menos que seleccione un lavado de retraso, la lavavajillas empieza a llenarse una vez que se cierra la puerta y usted presiona el botón Start/Cancel (Inicio/Anular). Luego del llenado y un breve periodo de lavado, la máquina hará una pausa de 5 min., para ahorrar energía durante el intervalo de remojo. Durante este periodo, la suciedad seca o resistente será ablandada para facilitar el lavado más adelante en el ciclo. Puede seleccionar las opciones mientras la máquina se está llenando.

Los tiempos del ciclo son aproximados y pueden variar con las opciones seleccionadas. El agua caliente es necesaria para activar el detergente de la lavavajillas y ablandar la suciedad de los alimentos grasos.

Un sensor automático verificará la temperatura del agua de entrada y si no está lo suficientemente caliente, se puede retrasar el ciclo para calentar el agua durante el lavado principal. Esto también sucede cuando se selecciona la opción HI-TEMP (Temperatura alta) de lavado y se requiere una temperatura más caliente para lavar cargas con suciedad más intensa.

Un "•" muestra los pasos que se incluyen en cada ciclo. Las temperaturas indican cuándo se aumenta la temperatura. El uso de agua se muestra en galones estadounidenses/litros.

### HEAVY (INTENSO)

Use este ciclo para utensilios de cocina que son difíciles de limpiar, con suciedad ocasionada por el horneado y para condiciones de agua más dura que la normal.								
Prelavado	Segundo prelavado	Lavado principal	Enjuague	Enjuague	Enjuague final caliente	Secado	Tiempo de funcionamiento (min)	Uso de agua (gal/L)
•	•	• 118 °F (48 °C)	•	•	• 136 °F (58 °C)	•	140	6 gal. (22,8 L)

OPCIONES DISPONIBLES		
Sanitize (Higienizar)	Hi Temp (Temperatura alta)	Heated Dry (Secado con calor)
X	X	X

### NORMAL

Normal		Use este ciclo para cargas que tengan cantidades normales de suciedad.						
Prelavado	Segundo prelavado	Lavado principal	Enjuague	Enjuague	Enjuague final caliente	Secado	Tiempo de funcionamiento (min)	Uso de agua (gal/L)
•		• 107° - 118 °F (42° - 48 °C)			• 122° - 136 °F (50° - 58 °C)	•	100-130	3 a 6 gal/ (10,8 - 23 L)

OPCIONES DISPONIBLES		
Sanitize (Higienizar)	Hi Temp (Temperatura alta)	Heated Dry (Secado con calor)
X	X	X

## LIGHT (LIGERO)

Use este ciclo para platos y cubiertos ligeramente sucios o enjuagados.								
Prelavado	Segundo prelavado	Lavado principal	Enjuague	Enjuague	Enjuague final caliente	Secado	Tiempo de funcionamiento (min)	Uso de agua (gal/L)
•		• 108 °F (42 °C)	• 136 °F (58 °C)			•	100-120	3 a 5 gal/ (11,4 - 18,9 L)

OPCIONES DISPONIBLES		
Sanitize (Higienizar)	Hi Temp (Temperatura alta)	Heated Dry (Secado con calor)
X	X	X

## ENERGY SAVER (AHORRO DE ENERGÍA)

Use este ciclo para platos y cubiertos ligeramente sucios o enjuagados.								
Prelavado	Segundo prelavado	Lavado principal	Enjuague	Enjuague	Enjuague final caliente	Secado	Tiempo de funcionamiento (min)	Uso de agua (gal/L)
•	•	• 104 °F (40 °C)	•		• 122 °F (50 °C)	•	105	5 gal/ 19,3 L

OPCIONES DISPONIBLES		
Sanitize (Higienizar)	Hi Temp (Temperatura alta)	Heated Dry (Secado con calor)
X	X	X

## GLASS (CRISTAL)

Este ciclo es para cristalería ligeramente sucia.								
Prelavado	Segundo prelavado	Lavado principal	Enjuague	Enjuague	Enjuague final caliente	Secado	Tiempo de funcionamiento (min)	Uso de agua (gal/L)
•	•	• 118 °F (48 °C)	•		• 136 °F (58 °C)	•	120	5 gal/ 19,3 L

OPCIONES DISPONIBLES		
Sanitize (Higienizar)	Hi Temp (Temperatura alta)	Heated Dry (Secado con calor)
N/A	N/A	X

## RINSE (ENJUAGUE)

Use este ciclo para enjuagar platos, vasos y cubiertos que no van a lavarse de inmediato.								
Prelavado	Segundo prelavado	Lavado principal	Enjuague	Enjuague	Enjuague final caliente	Secado	Tiempo de funcionamiento (min)	Uso de agua (gal/L)
			•				20	2 gal/ 8 L

OPCIONES DISPONIBLES		
Sanitize (Higienizar)	Hi Temp (Temperatura alta)	Heated Dry (Secado con calor)
N/A	N/A	N/A

## CARGA DEL LAVAVA JILLAS

### SUGERENCIAS PARA LA CARGA

- Quite los restos de comida, huesos, palillos y demás objetos duros de la vajilla. Para ahorrar agua, energía y tiempo, no es necesario enjuagar los platos y las fuentes antes de ponerlos en el lavavajillas. El sistema del lavado se diseña para quitar partículas de la comida del agua. El sistema del lavado incluye un dispositivo que taja que reduzca la talla de los alimentos.
- Es importante que el rociador de agua llegue a todas las superficies sucias.
- Ubique los platos de manera tal que no estén apilados o superpuestos siempre que sea posible. Para obtener los mejores resultados en el secado, el agua debe ser capaz de drenar de todas las superficies.
- Ubique las ollas y cacerolas pesadas con cuidado. Los objetos pesados pueden abollar el interior de acero inoxidable de la puerta si se dejan caer o se golpean.
- Asegúrese de que las tapas y las manijas de las ollas, fuentes para pizzas, bandejas para hornear, etc., no interfieran en la rotación del brazo rociador.
- Ahorre el agua, la energía y el tiempo que se pierde enjuagando a mano haciendo funcionar un ciclo de enjuague para que la vajilla se mantenga húmeda si no planea lavarla a la brevedad. Alimentos tales como los huevos, el arroz, la pasta, las espinacas y los cereales cocidos pueden ser difíciles de quitar si se los deja secar durante un tiempo.

### CONSEJOS PARA EL FUNCIONAMIENTO SILENCIOSO

#### Para evitar los ruidos sordos o estruendosos durante el funcionamiento:

- Asegúrese de que los objetos livianos estén asegurados a las rejillas.
- Asegúrese de que las tapas y las manijas de las ollas, fuentes para pizzas, bandejas para hornear, etc., no toquen las paredes internas ni interfieran en la rotación del brazo rociador.
- Coloque la vajilla de forma tal que no se toque entre sí.

**NOTA:** Para los modelos empotrados, mantenga los tapones de desagüe del fregadero cerrados durante el funcionamiento del lavavajillas para evitar que el ruido se propague por la tubería.

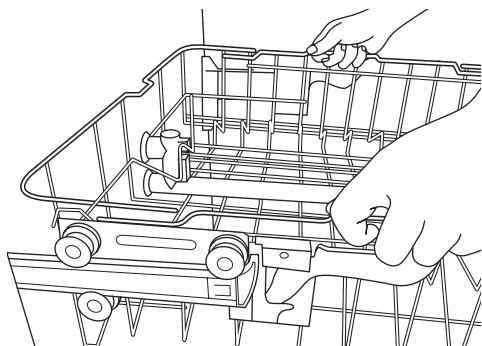
## AJUSTE DE LA CANASTA SUPERIOR

La altura de la canasta superior se puede ajustar fácilmente para acomodar la carga de los platos más altos en cualquiera de las canastas.

**IMPORTANTE:** Retire todos los platos antes de ajustar la canasta.

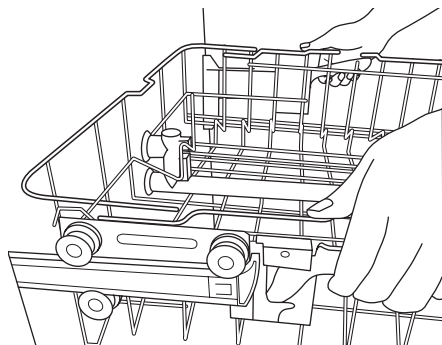
**Para acomodar los platos más altos en la canasta inferior:**

1. Sujete cada lado y levante para elevar la canasta superior.



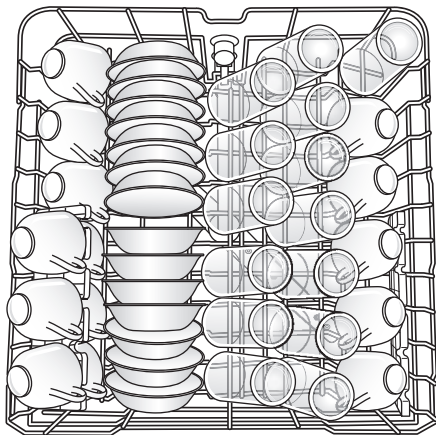
**Para acomodar los platos más altos en la canasta superior:**

1. Jale hacia arriba el brazo regulador en cada lado para bajar la canasta superior.



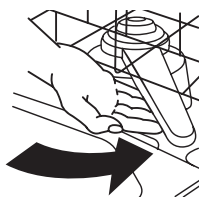
## CARGA DE LA REJILLA SUPERIOR

La canasta superior está diseñada para tazas, vasos, platos pequeños, tazones y artículos plásticos marcados como artículos lavables en la lavavajillas.



14 puestos

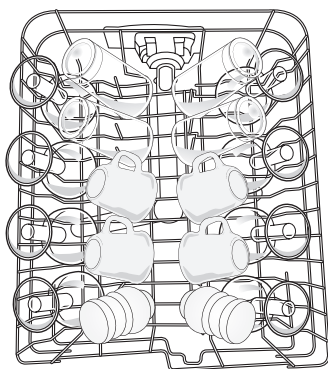
**IMPORTANTE:** Asegúrese de que los platos cargados en la canasta superior no interfieran con la rotación del brazo rociador de la zona media situado por debajo de la canasta superior. Verifique girando el brazo rociador con la mano.



**NOTA:** Las características de la rejilla de su lavavajillas puede variar con respecto a los dibujos que se muestran.

- Ubique los objetos de forma tal que los extremos abiertos miren hacia abajo para la limpieza y el escurrimiento.
- Coloque los vasos y las tazas sólo en la rejilla de arriba. La rejilla inferior no está diseñada para vasos y tazas. Se pueden producir daños.
- Ubique las tazas y los vasos en las hileras entre las puntas. Si los coloca sobre las puntas se pueden producir roturas y manchas de agua.

- Para evitar que se desportille, no deje que la cristalería toque otros artículos. Los tazones pequeños, las cacerolas y otros utensilios pueden ser colocados en la canasta superior. Coloque los tazones en la sección central para lograr una mejor estabilidad.



- La porcelana, el cristal y demás objetos delicados no deben tocarse entre sí durante el funcionamiento del lavavajillas. Se pueden producir daños.
- Coloque los objetos de plástico de forma tal que la fuerza del rociador no los mueva durante el ciclo.

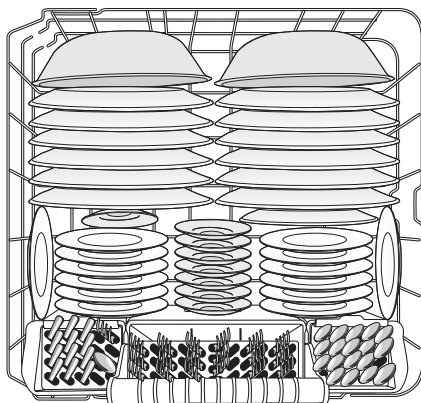
## CARGA DE LA REJILLA INFERIOR

**IMPORTANTE:** Los artículos grandes deben colocarse a lo largo del borde, de manera que no impidan que el brazo rociador de la zona media o inferior gire libremente, o bloqueen el depósito del detergente para que no se abra.

La canasta inferior está diseñada para platos, tazones de sopa, utensilios de cocina y utensilios para hornear.

La canasta superior ajustable le permite cargar objetos de hasta 13" (33 cm) de altura.

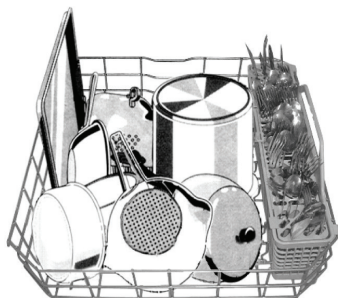
Las puntas plegables en la canasta inferior facilitan la carga de artículos grandes. Las puntas se pueden dejar en la posición hacia arriba para el uso normal, o se pueden doblar hacia abajo para una carga más flexible.



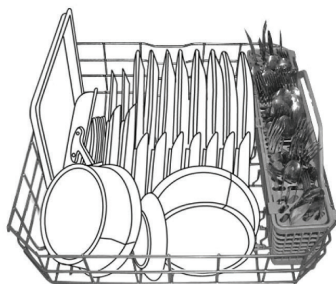
**NOTA:** Las características de la rejilla de su lavavajillas puede variar con respecto a los dibujos que se muestran.



- No coloque vasos, tazas u objetos de plástico en la rejilla inferior. Coloque objetos pequeños en la rejilla inferior sólo si están asegurados en su lugar.
- Ubique los platos, soperas, etc. entre las puntas.
- Coloque los platos, soperas y tazones para cereales en la rejilla de varias maneras distintas, de acuerdo con su tamaño y forma. Coloque los recipientes asegurados entre las hileras de puntas. No superponga los recipientes ya que el rociador no llegará a todas las superficies. No amontone los tazones porque el rociador no alcanzará todas las superficies.



- Coloque las bandejas para hornear, molde para pastel y otros objetos grandes en los costados y atrás. Si ubica estos objetos en la parte de adelante se obstaculiza la llegada del rociador de agua al compartimento de detergente.

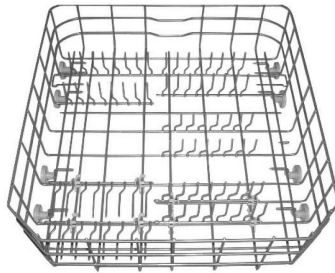


- Asegure los utensilios de cocina que estén muy sucios boca abajo en la rejilla.
- Asegúrese de que las manijas de las ollas y demás objetos no obstruyan la rotación de los brazos rociadores. Los brazos rociadores deben moverse con libertad.
- No ubique objetos entre la rejilla inferior y el costado de la tina del lavavajillas ya que pueden bloquear la abertura de ingreso del agua.

**NOTA:** Haga girar los brazos rociadores. Asegúrese de que los objetos en la canasta no detengan la rotación de los brazos rociadores.

## PUNTAS PLEGABLES Y/O AJUSTABLES (EN ALGUNOS MODELOS)

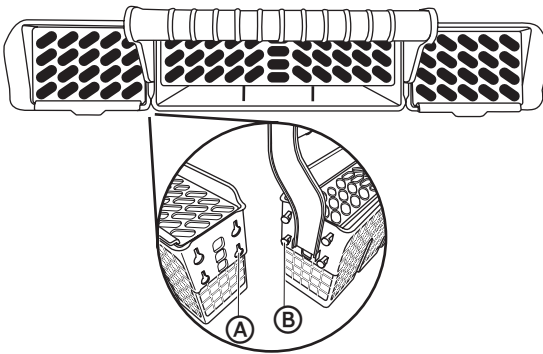
1. Sujete el cabo superior de la punta que está en el sujetador de puntas.
2. Jale con cuidado la punta hacia fuera del sujetador.
3. Doble la hilera de puntas hacia abajo o ajuste según sea necesario en la canasta para acomodar platos más grandes, tazones, ollas, cacerolas o charolas para asar.



## CANASTILLA PARA CUBIERTOS DE TRES PIEZAS

La canastilla para cubiertos está compuesta por tres secciones separadas. Para una óptima flexibilidad de carga, la sección central de la canastilla se puede utilizar de manera individual o conjunta con una o ambas secciones laterales según desee.

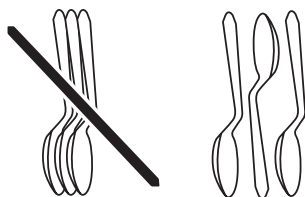
- Levante la manija para quitar la canastilla para cubiertos y coloque la canastilla sobre el mostrador o mesa.
- Levante cada sección lateral para desenganchar la sección central de las ranuras en forma de bocallave en las secciones laterales.
- Vuelva a colocar las secciones en la parrilla inferior y cargue los cubiertos, O BIEN cargue los cubiertos mientras las secciones se encuentran en el mostrador y, luego, vuelva a colocar la canastilla en la parrilla inferior.



- (A) Ranuras en forma de bocallave
- (B) Puntas

### NOTES:

- Coloque los objetos con las cubiertas hacia abajo, usando los separadores para evitar que se superpongan los cubiertos.
- Ubique los objetos pequeños, tales como tetinas de mamaderas, tapas de tarros, sujetadores para mazorca de maíz, etc. en las áreas con cubiertas con bisagras. Cierre las cubiertas para que los objetos pequeños se mantengan en su lugar.
- Descargue o quite la canasta antes de desocupar las rejillas para evitar que caigan gotitas de agua sobre los cubiertos.
- Cuando las cubiertas están abiertas, mezcle los objetos en cada área de la canasta con algunos hacia abajo y algunos hacia arriba para evitar que se superpongan. El rociador no puede alcanzar los objetos superpuestos.



**IMPORTANTE:** Siempre coloque los objetos con filo (cuchillos, pinchos, etc.) hacia abajo. Asegúrese de que nada sobresalga a través de la parte inferior de la canastilla o canasta que pueda bloquear el brazo de lavado.

## USO DEL LAVAVAJILLAS

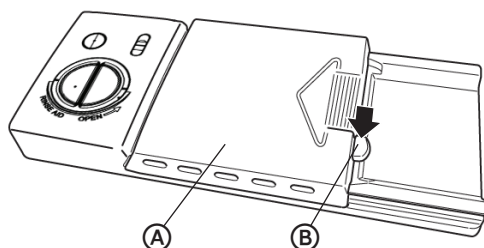
### USO CORRECTO DEL DETERGENTE

**IMPORTANTE:**

- Use detergente para lavado en lavavajillas automático solamente. Los otros detergentes pueden producir espuma excesiva que puede rebalsar el lavavajillas y reducir el rendimiento del lavado.
- Agregue detergente sólo antes de comenzar un ciclo.
- Almacene el detergente bien cerrado en un lugar fresco y seco. Si el detergente automático está fresco, se obtendrá una mayor limpieza.
- Todos los ciclos de lavado excepto RINSE (Enjuagar) requieren detergente en el depósito del detergente.

### COMPARTIMIENTO PARA EL DETERGETE

1. Si la tapa del depósito está cerrada, abra la tapa presionando hacia abajo el seguro de la tapa. La tapa se deslizará hacia la derecha.

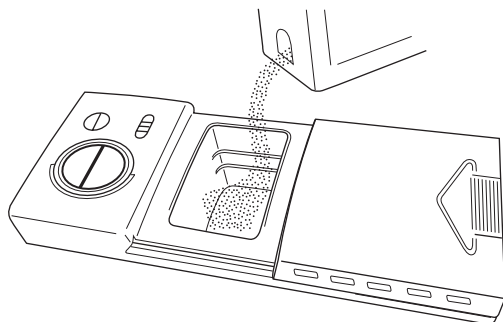


(A) Tapa

(B) Seguro de la tapa

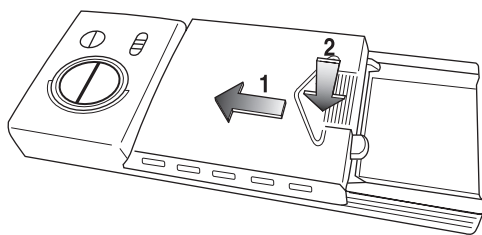
2. Agregue la cantidad deseada de detergente a la taza de detergente.

**NOTA:** Si utiliza detergente lavavajillas en la forma de tabletas o pac, coloque el detergente en la taza de detergente, NO en la bañera para evitar la ruptura prematura del detergente.



**A** Taza de detergente

3. Deslice la tapa del depósito hacia la izquierda, a continuación, presione hacia abajo en la flecha de textura acanalada para cerrar.



## CUÁNTO DETERGENTE USAR

La cantidad de detergente que debe usarse depende de la dureza del agua y del tipo de detergente. Si usa muy poco, la vajilla no quedará limpia. Si usa demasiado con agua blanda los utensilios de vidrio se marcarán.

### Dureza del agua

La dureza del agua varía según su fuente. Para obtener los mejores resultados, su lavavajillas está diseñada para funcionar con agua que tiene una dureza de no más de 7 granos por galón. Los juegos de prueba están disponibles en todas las principales tiendas minoristas de piezas de electrodomésticos. Si el agua tiene una dureza de más de 8 granos por galón, usted puede considerar la instalación de un ablandador de agua o el uso regular de un aditivo para mejorar el rendimiento de su detergente.

### Nivel de suciedad de la carga

Según la cantidad de suciedad que está en la carga de platos, es posible que necesite ajustar la cantidad de detergente.

## USO APROPIADO DEL AGENTE DE ENJUAGUE

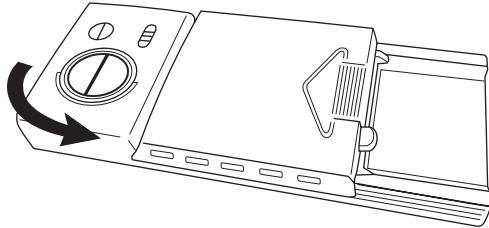
Su lavavajillas está diseñada para usar un agente de enjuague LÍQUIDO. El uso de un agente de enjuague mejora mucho el rendimiento de secado después del enjuague final.

Los agentes de enjuague evitan que el agua forme gotitas que cuando se secan dejan manchas o vetas. También mejoran el secado ya que permiten que el agua se escurra de la vajilla durante el enjuague final liberando una pequeña cantidad del agente de enjuague en el agua del enjuague. El depósito de agente de enjuague está diseñado para usar un agente de enjuague líquido. No use el que es sólido o en barra.

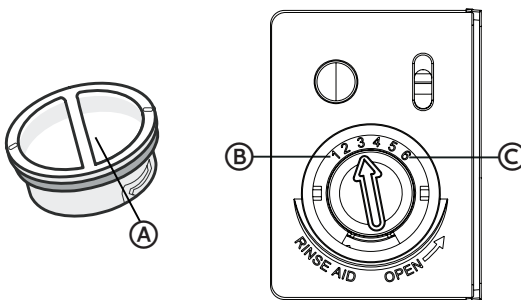
### CÓMO LLENAR EL COMPARTIMIENTO

En condiciones normales, tendrá que llenar el depósito del agente de enjuague aproximadamente una vez al mes. El agente de enjuague se libera a través de una abertura en el depósito. No tiene que esperar hasta que el depósito esté vacío para volver a llenarlo. Trate de mantenerlo lleno, pero tenga cuidado de no exceder su capacidad.

1. Abra la puerta de la lavavajillas.
2. Gire la tapa del depósito del agente de enjuague en sentido contrario a las manecillas del reloj y jale hacia arriba para quitarlo.



3. Vierta el agente de enjuague en el depósito hasta que el indicador esté en MAX (Máximo).
4. Puede ajustar la cantidad del agente de enjuague que se libera durante el enjuague. Cuanto mayor sea el número, indicará una mayor cantidad de agente de enjuague que se liberará.



- (A) Ajuste regulable
- (B) Menos
- (C) Más

5. Limpie los restos de agente de enjuague que puedan haberse derramado con un paño húmedo.
6. Vuelva a colocar la tapa del agente de enjuague y luego, gírela en el sentido de las agujas del reloj para cerrarla.

## CÓMO LAVAR OBJETOS ESPECIALES

Si tiene dudas acerca del lavado de un objeto en particular, consulte al fabricante para saber si es apto para lavavajillas.

Material	¿Es apto para lava-vajillas?	Comentarios
Aluminio	Posible	La temperatura elevada del agua y los detergentes pueden afectar el acabado del aluminio anodizado. El aluminio sin acabado se decolorará.
Aluminio desechable	No	No lave bandejas de aluminio desechable en el lavavajillas. Pueden alterarse durante el lavado y dejar marcas negras en la vajilla u otros objetos.
Botellas y latas	No	Lave las botellas y las latas a mano. Las etiquetas adheridas con cola pueden despegarse y obstruir los brazos rociadores o la bomba y reducir el rendimiento del lavado.
Hierro fundido	No	Se perderá la curación y el hierro se oxidará.
Porcelana / Cerámica de gres	Si	Lea siempre las recomendaciones del fabricante antes del lavado. Los diseños antiguos, pintados a mano, o pintados sobre esmalte pueden desteñirse, las láminas doradas pueden decolorarse o desteñirse.
Cristal	Si	Lea las recomendaciones del fabricante antes del lavado. Algunos tipos de cristal emplomado pueden marcarse con repetidos lavados.
Dorado	No	Los cubiertos dorados pierden el color
Glass	Si	El vidrio opalino se torna amarillento con repetidos lavados en lavavajillas.
Cuchillos de mango hueco	No	Los mangos de algunos cuchillos están unidos a la hoja con adhesivos que pueden aflojarse si se lavan en lavavajillas.
Peltre, Bronce	No	Las altas temperaturas del agua y el detergente pueden decolorar o dejar orificios en el acabado.
Plásticos desechables	No	No toleran las altas temperaturas del agua ni los detergentes.
Plásticos	Si	Lea siempre las recomendaciones del fabricante antes del lavado. Los plásticos varían en su capacidad para resistir las altas temperaturas del agua y los detergentes. Coloque los plásticos en la rejilla superior solamente.
Acero inoxidable	Si	Inicie un ciclo de enjuague si no lo lavará inmediatamente.  El contacto prolongado con alimentos que contienen sal, vinagre, productos lácteos o jugos de fruta puede dañar el acabado.

Material	¿Es apto para lava-vajillas?	Comentarios
Plata fina o baño de plata	Si	Inicie un ciclo de enjuague si no la lavará inmediatamente. El contacto prolongado con alimentos que contienen sal, ácido o sulfuro (huevos, mayonesa y mariscos) puede dañar el acabado.
Hojalata	No	Puede oxidarse.
Utensilios de madera	No	Lávelos a mano. Lea siempre las instrucciones del fabricante antes del lavado. La madera que no ha sido tratada puede torcerse, partirse o perder su acabado.

## CUIDADO DEL LAVAVA JILLAS

### LIMPIEZA

#### LIMPIEZA DEL EXTERIOR

En la mayoría de los casos, el uso frecuente de un paño suave y húmedo o de una esponja y un detergente suave es todo lo que se necesita para mantener limpio el exterior de su lavavajillas.

Limpie la puerta de acero inoxidable y la manija con un paño limpio y suave para eliminar los residuos.

**IMPORTANTE:** No utilice cera para electrodomésticos, abrillantador, blanqueador ni productos que contengan cloro para limpiar la puerta de acero inoxidable.

#### Panel de control

Limpie suavemente el panel de control con un paño limpio y suave.

#### LIMPIEZA DEL INTERIOR

La tina ha sido fabricada con acero inoxidable diseñado para resistir el óxido y la corrosión si la lavavajillas se raya o abolla.

Los minerales del agua dura pueden provocar la formación de una película blanca en las superficies internas, especialmente debajo de la zona de la puerta.

No limpie el interior del lavavajillas hasta que se haya enfriado. Use guantes de goma. No utilice otro limpiador que no sea el detergente de lavavajillas ya que se podría producir espuma.

Limpie las manchas en la puerta interior de acero y la tina con un paño húmedo limpio y suave.

Con un paño húmedo, limpie alrededor de la junta de la puerta con regularidad para eliminar las partículas de alimentos.

## LIMPIEZA DE LOS FILTROS

El filtro grueso debe limpiarse regularmente para maximizar el rendimiento del lavado.

1. Retire la canasta inferior.
2. Gire el filtro grueso un cuarto de vuelta en sentido contrario a las manecillas del reloj y levante para quitarlo.
3. Vacíe el filtro y enjuáguelo con agua del grifo.
4. Retire el filtro fino y el microfiltro y limpie manteniendo debajo del agua del grifo haciéndola correr despacio.
5. Vuelva a colocar los filtros invirtiendo el proceso.

## RESPIRADERO DEL DESAGÜE

Revise el respiradero del desagüe toda vez que su lavavajillas no desagüe correctamente. Algunas reglamentaciones locales o estatales sobre tuberías exigen que se agregue un respiradero de desagüe entre un lavavajillas empotrado y el sistema de desagüe de la casa. Si el desagüe se tapa, el respiradero del desagüe impide que el agua vuelva e ingrese en su lavavajillas.

El respiradero del desagüe está normalmente ubicado arriba del fregadero o encimera cerca del lavavajillas.

**NOTA:** El respiradero del desagüe es un dispositivo externo de la tubería que no es parte de su lavavajillas. La garantía proporcionada con su lavavajillas no cubre los costos del servicio asociados directamente con la limpieza o reparación del respiradero del desagüe externo.

### Para limpiar el respiradero del desagüe:

Limpie el respiradero del desagüe periódicamente para asegurarse que el lavavajillas desagüe correctamente. Siga las instrucciones de limpieza provistas por el fabricante.

### Con la mayoría de los tipos:

1. Apague la lavavajillas.
2. Retire la cubierta de cromo. Desenrosque la tapa de plástico.
3. Limpie la tapa de plástico con un palillo de dientes.

## CUIDADO DEL LAVAVAJILLAS

### CÓMO CUIDAR EL LAVAVAJILLAS EN VERANO

Protect your dishwasher during the summer months by turning off the water supply and power supply to the dishwasher.

### CÓMO ACONDICIONAR SU LAVAVAJILLAS PARA EL INVIERNO

Proteja su lavavajillas y su hogar ante los posibles daños causados por el congelamiento del suministro de agua. Si fuera necesario dejar su lavavajillas en una vivienda de temporada o si el mismo estuviera expuesto a temperaturas bajo cero, haga acondicionar su lavavajillas por personal de mantenimiento.



## SOLUCIÓN DE PROBLEMAS

Pruebe las soluciones sugeridas aquí y posiblemente se evite el gasto de una visita de servicio técnico.

### LA LAVAVAJILLAS NO FUNCIONA CORRECTAMENTE

PROBLEMA	POSIBLE CAUSA	SOLUCIÓN
<b>La lavavajillas no funciona o se detiene durante un ciclo</b>	La mayoría de los ciclos hacen una pausa durante 5 minutos cerca del inicio de un ciclo para dejar los platos en remojo.	Esto es normal, y reduce la energía requerida para limpiar los platos.
	La puerta no está bien cerrada ni asegurada.	Cierre y trabe la puerta.
	La lavavajillas no recibe suministro eléctrico.	Reemplace el fusible o reinicie el cortacircuitos.
	El motor se ha detenido debido a una sobrecarga.	El motor se reactivará automáticamente en unos minutos.
	La válvula de cierre de agua no está abierta.	Gire la válvula de cierre de agua y ábrala por completo.
	Ciertos ciclos hacen una pausa repetidamente que dura de 15 a 65 segundos durante el lavado principal.	Esto es normal.
<b>Se seleccionó la opción de retraso</b>		Vea "Opciones" para volver a fijar la opción.
<b>La opción Child Lock (Bloqueo para niños) está activada</b>		Desactive la opción Child Lock (Bloqueo para niños). Vea "Opciones".
<b>La lavavajillas no se llena</b>	El flotador de protección de sobrellenado no se puede mover hacia arriba o hacia abajo libremente.	Presione hacia abajo sobre el flotador para liberarlo.
	La válvula de agua está cerrada.	Abra la válvula de agua.
	El seguro de la puerta no está correctamente colocado.	Cierre y trabe la puerta.

PROBLEMA	POSIBLE CAUSA	SOLUCIÓN
<b>La lavavajillas pasa mucho tiempo en marcha</b>	El agua suministrada a la lavavajillas no está lo suficientemente caliente.  La lavavajillas funciona durante más tiempo mientras se calienta el agua, y ocurre un retraso automáticamente en algunos ciclos de lavado y enjuague hasta que el agua alcanza la temperatura adecuada.	Deje correr el agua en el fregadero contiguo hasta que se caliente antes de encender la lavavajillas.
	La opción Sanitize (Higienizar) está seleccionada.	El tiempo del ciclo aumentará para alcanzar la temperatura de higienizado.
	El tiempo del ciclo variará según el nivel de suciedad.	Cuando se detecta suciedad profunda, el ciclo Normal aumentará automáticamente el tiempo del ciclo.
<b>Queda agua en la lavavajillas</b>  <b>NOTA:</b> Una pequeña cantidad de agua limpia alrededor de la salida en la parte inferior de la tina es normal. Mantiene el sello lubricado.	El ciclo no está completo o está en una pausa.	El agua se desaguará cuando se complete el ciclo.
	La manguera de desagüe está doblada.	Enderece la manguera de desagüe.
	El tapón del disco removible se encuentra todavía en el triturador de desechos.	Quite el tapón del disco removible.
	La manguera de desagüe está conectada al triturador de desechos, y el triturador de desechos no está vacío.	Ponga en marcha el triturador de desechos hasta que se vacíe.
	El desagüe está obstruido.	Verifique la purga de aire.
<b>Queda detergente en la sección con tapa del depósito</b>	El ciclo no ha terminado.	Cierre la puerta y presione START/CANCEL (Inicio/ Anular) para completar el ciclo.
	El detergente está húmedo o presenta grumos.	Retire el detergente y reemplace con detergente para lavavajillas nuevo y seco.
	Un artículo estaba bloqueando el depósito.	Quite el artículo. Retire el detergente y reemplace con detergente para lavavajillas nuevo y seco.
	El brazo rociador está bloqueado.	Cargue los platos de una manera que no bloqueen el brazo rociador e impidan que gire libremente.

<b>PROBLEMA</b>	<b>POSIBLE CAUSA</b>	<b>SOLUCIÓN</b>
<b>Residuos de agua en el panel delantero</b>	Se utilizó demasiado detergente o el detergente está haciendo demasiada espuma.	Reduzca la cantidad de detergente o reemplace con una marca diferente para reducir la formación de espuma y eliminar la acumulación.
<b>Olor en la lavavajillas</b>	Se lavaron los platos con poca frecuencia.	Ponga a funcionar solamente el ciclo Rinse (Enjuagar) una vez o dos veces por día hasta que usted tenga una carga completa.
	La lavavajillas debe limpiarse.	Ponga a funcionar un enjuague con vinagre en la lavavajillas.
<b>Humedad en el mostrador de la cocina</b>	La lavavajillas no está alineada con la superficie del mostrador. El vapor procedente del ducto de escape puede condensarse en la superficie del mostrador.	Nivele y alinee la lavavajillas.
<b>Ruidos</b> <b>Se escuchan chirridos, crujidos o zumbidos</b> <b>Pitidos</b>	Pudo haber ingresado al módulo de lavado un objeto duro o gránulos de detergente en polvo.  Indica que el ciclo de lavado se ha completado.	Retire el objeto. El sonido deberá cesar una vez que el detergente se haya disuelto.
<b>Espuma en la tina</b>	Se usó un detergente inapropiado.	Use solamente un detergente aprobado para lavavajillas automáticas.
<b>Fugas en la lavavajillas</b>	La espuma excesiva es ocasionada por el uso de detergente inapropiado.	Use solamente un detergente aprobado para lavavajillas automáticas.
<b>La lavavajillas no está nivelada</b>		Nivele la lavavajillas. Vea las Instrucciones de instalación.

## LOS PLATOS NO ESTÁN COMPLETAMENTE LIMPIOS

PROBLEMA	POSIBLE CAUSA	SOLUCIÓN
<b>Residuos de alimentos en los platos</b>	La lavavajillas no se carga correctamente.	Vea "Cómo cargar la lavavajillas".
	Se seleccionó el ciclo de lavado incorrecto para la carga de platos.	Seleccione el ciclo para la suciedad más rebelde en la carga de la lavavajillas. Si tiene algunos artículos con suciedad más intensa, utilice un ciclo de lavado más intenso.
	La temperatura del agua es demasiado baja.	Para obtener los mejores resultados, la temperatura del agua de entrada debe tener un mínimo de 120 °F (49 °C) a medida que entra en la lavavajillas.
	Se utilizó la cantidad incorrecta de detergente.	Use un mínimo de 1 cucharada (15 g) de detergente (15 g) por carga. La suciedad profunda y/o el agua dura por lo general requieren detergente adicional.
	El detergente está demasiado viejo.	El detergente debe ser nuevo para ser eficaz. Guarde el detergente en un área fresca y seca.
	El detergente está endurecido en el depósito.	No permita que el detergente permanezca por varias horas en un depósito húmedo. Limpie el depósito y vuelva a llenarlo con detergente nuevo y seco.
	La bomba o el brazo rociador está obstruido por las etiquetas de botellas y latas.	Verifique la bomba y el brazo rociador para ver si hay etiquetas y quitelas.
	La presión de agua que llega a la casa es demasiado baja.	La presión de agua debe ser de 20 a 120 lb/in <sup>2</sup> (138 a 828 kPa) para obtener un llenado apropiado de la lavavajillas. Si la presión es demasiado baja, se puede añadir una bomba intensificadora de presión en el suministro de agua.
	El exceso de espuma está reduciendo la velocidad del brazo de lavado.	Use detergente recomendado solamente para lavavajillas. No use jabón o detergentes para lavar ropa.

## MARCAS Y MANCHAS EN LOS PLATOS

PROBLEMA	POSIBLE CAUSA	SOLUCIÓN
<p><b>Manchas y formación de películas en los platos</b></p> <p><b>NOTA:</b> Para quitar las manchas y películas de los platos. Pruebe un enjuague con vinagre blanco. Este procedimiento está destinado únicamente para uso ocasional. El vinagre es un ácido y su uso frecuente podría dañar la lavavajillas. Vea "Limpieza".</p>	<p>Agua dura. El agua tiene un alto contenido de minerales.</p>	<p>Utilice un agente de enjuague y mantenga el depósito lleno para ayudar a eliminar las manchas y la formación de películas. Si la dureza del agua de su hogar es de 13 granos o mayor, se recomienda que instale un ablandador doméstico de agua.</p>
	<p>La temperatura del agua es demasiado baja.</p>	<p>Para obtener los mejores resultados, el agua debe estar a 120 °F (49 °C) como mínimo al entrar en la lavavajillas.</p>
	<p>No se utilizó suficiente detergente.</p>	<p>Use un mínimo de 1 cucharada (15 g) de detergente por carga. La suciedad profunda y/o el agua dura por lo general requieren detergente adicional.</p>
	<p>El detergente está demasiado viejo.</p>	<p>El detergente debe ser nuevo y seco para ser eficaz. Guarde el detergente en un área fresca y seca.</p>
	<p>La presión de agua del hogar es demasiado baja para llenar correctamente la lavavajillas.</p>	<p>La presión de agua del hogar debe ser de 20 a 120 lb/in<sup>2</sup> (138 a 828 kPa) para obtener un llenado apropiado de la lavavajillas. Si la presión es demasiado baja, se puede añadir una bomba intensificadora de presión en el suministro de agua.</p>
	<p>El depósito del agente de enjuague está vacío.</p>	<p>Agregue agente de enjuague al depósito.</p>

<b>PROBLEMA</b>	<b>POSIBLE CAUSA</b>	<b>SOLUCIÓN</b>
<b>Película de sílice o corrosión</b>	A veces se produce una reacción química al agua con ciertos tipos de objetos de cristal. Por lo general, se debe a una combinación de agua ablandada, soluciones alcalinas para lavar, enjuague insuficiente, sobrecarga de la lavavajillas y el calor del secado.	Las películas de sílice y la corrosión son permanentes y no se pueden eliminar. Para hacer el proceso más lento, use una mínima cantidad de detergente, pero no menos de 1 cucharada (15 g) por carga. Use un agente de enjuague líquido y reduzca la carga de la lavavajillas para permitir un enjuague a fondo. No use el secado caliente.
	La temperatura del agua de entrada es superior a 150 °F (65 °C).	Baje la temperatura del agua que entra.
<b>Manchas blancas en los utensilios de cocina con acabado antiadherente</b>	El detergente de la lavavajillas quitó el curado de las cacerolas.	Luego de lavar las cacerolas en la lavavajillas, vuelva a curarlas.
<b>Manchas marrones en los platos y en el interior de la lavavajillas</b>	El agua tiene un alto contenido de hierro.	Vuelva a lavar los platos usando 1 a 3 cucharaditas (5 a 15 mL) de cristales de ácido cítrico agregados en el depósito del detergente. No use detergente. A continuación, use el ciclo de lavado Normal con detergente.
<b>Marcas negras o grises en los platos</b>	Objetos de aluminio que rozan los platos durante el lavado. Los objetos de aluminio desechables pueden romperse en la lavavajillas y rayar los demás artículos.	Lave los objetos de aluminio a mano. Quite las marcas de aluminio usando un producto de limpieza abrasivo suave.
<b>Manchas anaranjadas en los platos de plástico o en el interior de la lavavajillas</b>	Se colocaron grandes cantidades de platos con restos de comida a base de tomate en la lavavajillas.	Use un producto quitamanchas para quitar las manchas de su lavavajillas. Las manchas no afectarán el rendimiento de la lavavajillas.

## LA VAJILLA NO SE SECA POR COMPLETO

PROBLEMA	POSIBLE CAUSA	SOLUCIÓN
<b>Los platos no están completamente secos</b>  <b>NOTA:</b> Los objetos de plástico a menudo necesitan un secado con toalla.	Los platos no se cargaron correctamente para permitir el desagüe del agua.	No sobrecargue la lavavajillas. Coloque los vasos y las tazas en la canasta de manera que la superficie inferior esté inclinada para permitir que el agua se escurra.
	El agente de enjuague no se utilizó o el depósito está vacío.	Use un agente de enjuague líquido para acelerar el secado y mantenga el depósito lleno.
	Se utilizó una opción de secado al aire o ahorro de energía.	Use una opción de secado caliente para obtener platos más secos.

## LOS PLATOS SE DAÑAN DURANTE UN CICLO

PROBLEMA	POSIBLE CAUSA	SOLUCIÓN
<b>Los platos están desportillados</b>  <b>NOTA:</b> Algunos objetos de cristal antiguos, con cantos biselados y objetos similares de porcelana y cristal podrían ser demasiado delicados para lavarse en la lavavajillas automática. Lávelos a mano.	Los platos no se han cargado adecuadamente.	Coloque los platos y vasos de manera que estén estables y no se choquen entre sí por la acción del lavado.
	Movió la canasta adentro o afuera de la lavavajillas demasiado rápido.	El sacar y meter las canastas despacio reduce la posibilidad de desportillado.

## CÓDIGOS DE ERROR

Código	Significados	Posibles causas
<b>E1</b>	Tiempo de entrada más prolongado.	El grifo no está abierto o el ingreso de agua es limitado o la presión del agua es demasiado baja.
<b>E4</b>	Derrames	Algunos artículos de la lavavajillas tienen fugas.
<b>E8</b>	Fallas de la orientación de la válvula de distribución.	Circuito abierto o avería de la válvula de distribución.
<b>E9</b>	Debe presionar un botón por más de 30 segundos.	Hay agua o alguna sustancia en el botón.

**SI NECESITA MÁS AYUDA, VISITE [HAIER.COM](http://HAIER.COM) O COMUNÍQUESE CON LA LÍNEA DE AYUDA AL CONSUMIDOR LLAMANDO AL 1-877-377-3639.**



# GARANTÍA LIMITADA

## SERVICIO EN EL HOGAR

### GARANTÍA COMPLETA POR DOS AÑOS

Durante 24 meses a partir de la fecha de compra original en la tienda, Haier reparará o reemplazará cualquier pieza del aparato sin costo, incluyendo la mano de obra, si la misma falla debido a defectos en los materiales o en la mano de obra.

Haier may replace or repair at their sole discretion any part, sub system including the entire product.

Product must be accessible, without encumbrance and installed properly to receive for warranty repair service.

### GARANTÍA LIMITADA

**NOTA:** Esta garantía comienza en la fecha de compra de este producto, y el recibo original deberá presentarse al representante autorizado de servicio antes de hacerse las reparaciones bajo la garantía.

**Excepciones:** Garantía uso comercial

**90 días en la mano de obra a partir de la fecha de compra original**

**90 días en las piezas a partir de la fecha de compra original**

**No es aplicable ninguna otra garantía.**

### PARA OBTENER SERVICIO BAJO LA GARANTÍA

Póngase en contacto con el centro de servicio autorizado más cercano a su localidad. Todo servicio deberá ser realizado por un centro de servicio autorizado por Haier. Para obtener el nombre y el número de teléfono del centro de servicio autorizado más cercano, llame al 1-877-337-3639.

Antes de llamar, tenga a mano la siguiente información:

Número de modelo y de serie del aparato. El nombre y la dirección del distribuidor en donde compró la unidad y la fecha de compra.

Una descripción clara del problema.

Un comprobante de compra (recibo de compra).

**Esta garantía cubre servicios para electrodomésticos dentro de los Estados Unidos continental y Canadá y donde esté disponible en Alaska, Hawaii y Puerto Rico.**

**Lo que no está cubierto bajo esta garantía:**

Reemplazo o reparación de fusibles domésticos, cortacircuitos, cableado o plomería.

Un producto cuyo número de serie original haya sido removido o alterado.

Cualquier cargo por servicio que no haya sido identificado específicamente como servicio normal, como puede ser el área o las horas de servicio.

Daños ocurridos durante el transporte.

Daños ocasionados por la instalación o el mantenimiento inadecuados.

Daños por el uso incorrecto, abuso, accidente, incendio, inundación o fenómenos de la naturaleza.

Daños debidos al servicio efectuado por un distribuidor o centro de servicio que sea diferente del autorizado por Haier.

Daños ocasionados por la corriente, el voltaje o el suministro eléctrico incorrectos.

Daños que resulten de cualquier modificación hecha en el producto, alteración o ajustes no autorizados por Haier.

Ajuste de los controles manejados por el cliente según han sido identificados en el manual del propietario.

Mangueras, perillas, bandejas de pelusa y todos los otros aditamentos, accesorios y piezas desechables.

Cargos por mano de obra, transporte para el servicio y envío para la remoción y el reemplazo de las piezas defectuosas que se efectúen después del período inicial de 24 meses.

Daños ocasionados por un uso diferente al doméstico normal.

Cualquier gasto de transporte y de envío.

**ESTA GARANTÍA LIMITADA REEMPLAZA TODAS LAS OTRAS GARANTÍAS, EXPRESAS O IMPLÍCITAS QUE INCLUYAN, ENTRE OTRAS, LAS GARANTÍAS DE COMERCIABILIDAD O DE CAPACIDAD PARA UN PROPÓSITO EN PARTICULAR**

El recurso provisto en esta garantía es exclusivo y está otorgado en lugar de cualquier otro recurso.

Esta garantía no cubre daños incidentales o consecuentes, de modo que las limitaciones indicadas anteriormente pueden no aplicarse en su caso. Algunos estados no permiten las limitaciones acerca de cuánto tiempo dura una garantía implícita, de modo que las limitaciones arriba indicadas quizás no le correspondan.

Esta garantía le otorga derechos legales específicos, y es posible que usted tenga otros derechos, los cuales varían de un estado a otro.

Haier America  
Wayne, NJ 07470





# IMPORTANT

Do Not Return This Product To The Store  
If you have a problem with this product, please contact the  
"Haier Customer Satisfaction Center" at  
1-877-337-3639.

DATED PROOF OF PURCHASE, MODEL #, AND SERIAL #  
REQUIRED FOR WARRANTY SERVICE

# IMPORTANT

Ne pas Réexpédier ce Produit au Magasin  
Pour tout problème concernant ce produit, veuillez contacter  
le service des consommateurs "Haier Customer Satisfaction Center" au  
1-877-337-3639.

UNE PREUVE D'ACHAT DATEE EST REQUISE POUR BENEFICIER DE LA GARANTIE.

# IMPORTANTE

No regrese este producto a la tienda  
Si tiene algún problema con este producto, por favor contacte el  
"Centro de Servicio al Consumidor de Haier" al  
1-877-337-3639 (Válido solo en E.U.A).  
NECESITA UNA PRUEBA DE COMPRA FECHADA, NÚMERO DE MODELO  
Y DE SERIE PARA EL SERVICIO DE LA GARANTÍA

Made in China  
Fabriqué en Chine  
Hecho en China

# Haier

Haier America  
Wayne, NJ 07470

HDBL655AFS, HDBL655AFW,  
HDBL655AFB  
Issued: July 2015

Printed in China

Part # 00XXXXXXXXXX