

SECTION 1

FLUSH INSET INSTALLATION



SECTION 2

STANDARD INSTALLATION

1/4" FRAMED PANELS



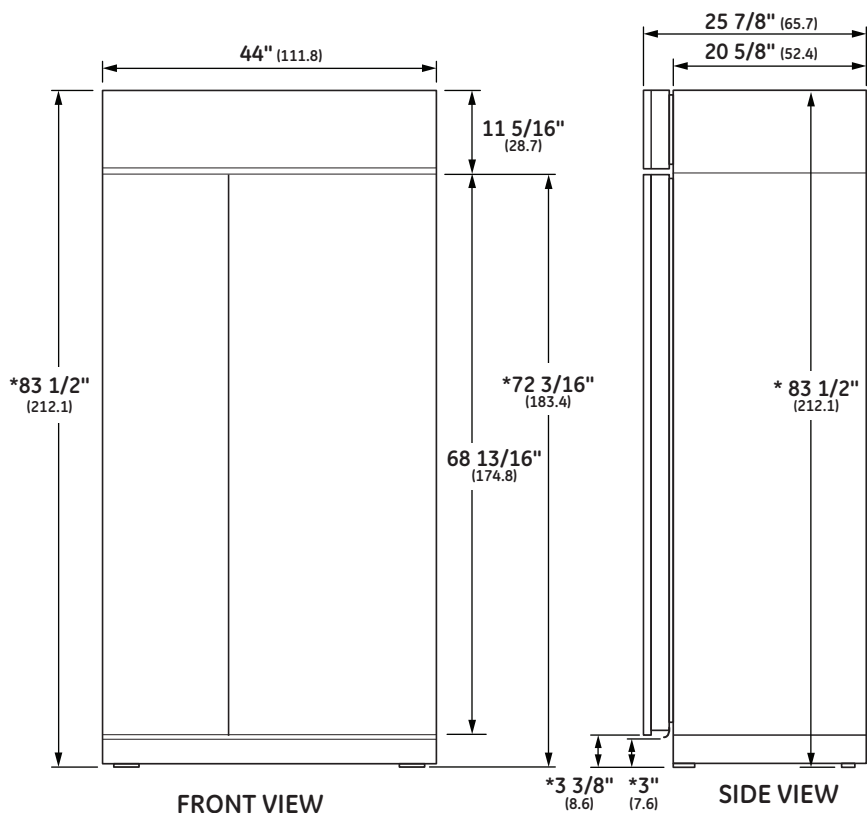
3/4" OVERLAY PANELS





OVERALL DIMENSIONS

FLUSH INSET INSTALLATION



\* Shipping height. Use leveling legs and wheels for maximum 1" height adjustment from shipping height. Nominal installation height is 84".

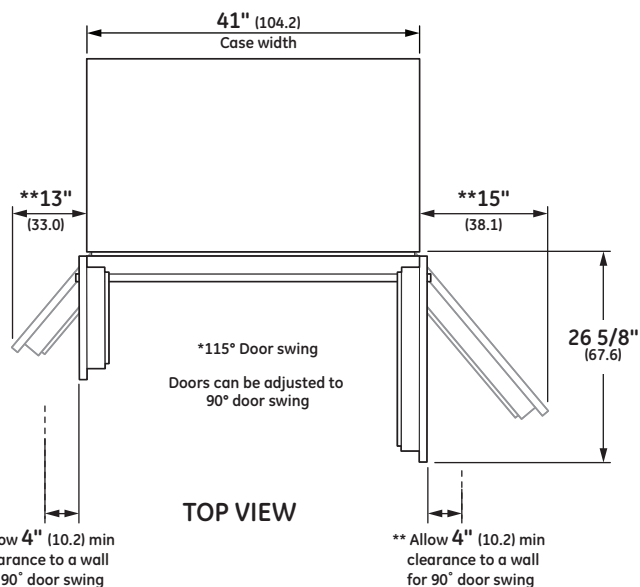
SPECIFICATIONS

|                       |  |
|-----------------------|--|
| Overall Width         | 44" (111.8 cm)†                              |
| Overall Height        | 83 1/2" (212.1 cm) †                         |
| Overall Depth         | 25 7/8" (65.7 cm) †                          |
| Door Clearance        | 28 5/8" (72.1 cm)                            |
| Cutout Width          | 45" (114.3 cm)                               |
| Cutout Height         | 84 1/2" (214.6 cm)                           |
| Cutout Depth          | 26 3/16" (66.5 cm)                           |
| Plumbing Requirements | 1/4" OD copper tubing or GE SmartConnect kit |
| Shipping Weight       | 725 lb (328.9 kg)                            |

† Dimensions include 3/4" custom cabinet panel

FRONT VIEW SIDE VIEW

**ATTENTION ELECTRICIAN:**  
 A 115 volt 60Hz., 15 or 20 amp power supply is required. An individual properly grounded branch circuit or circuit breaker is recommended. Install a properly grounded 3-prong electrical receptacle recessed into the back wall.

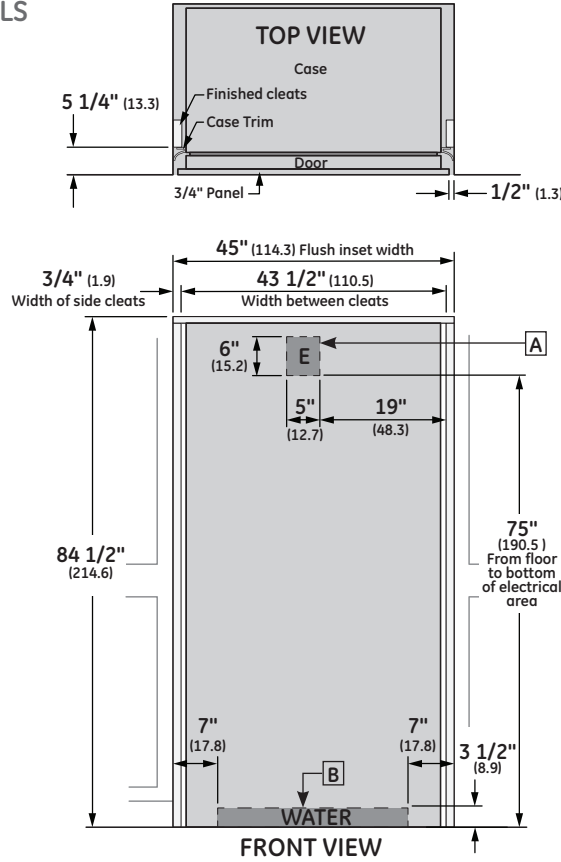
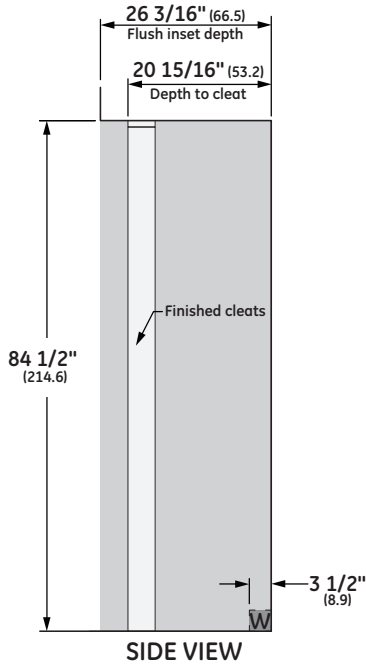


\*\* These refrigerators are equipped with a 2-position door stop. The factory-set 115° door swing can be adjusted to 90° if clearances to adjacent cabinets or walls is restricted. Allow a 15" minimum clearance to wall for pan removal. If the 90° door stop position is used, pan access is maintained, but pan removal is restricted.

Dimensions in parentheses are in centimeters unless otherwise noted. Actual product dimensions may vary due to manufacturing tolerances.



FLUSH INSET INSTALLATION 3/4" PANELS



FLUSH INSET INSTALLATION

NOTES

- A** Mounting the junction box in this location will also allow for front accessibility through access panel.
- B** Water supply area.

**⚠ WARNING:**  
The refrigerator is top heavy and must be secured to prevent the possibility of tipping forward. Failure to do so may result in death or serious injury.  
The information below is for cabinet design only. When installing the anti-tip system you must use the product installation instructions.

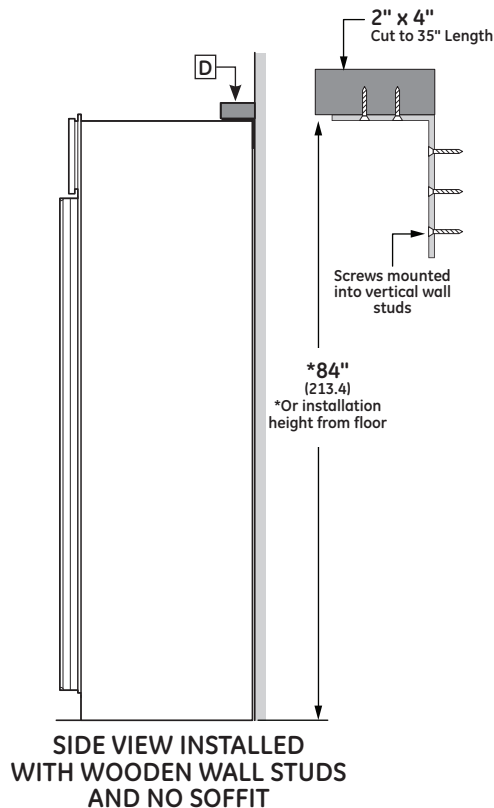
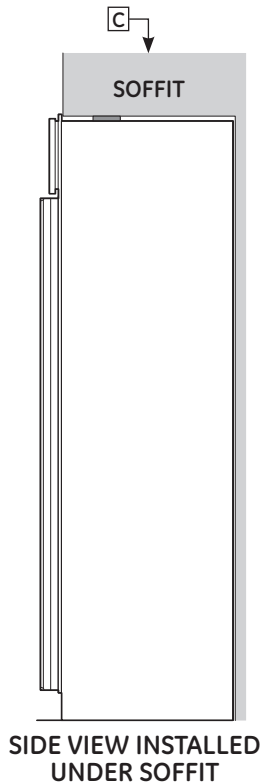
Determine your installation construction and required anti-tip configuration:

- C** Cut a 1/2" x 4" block 35" long. Measure and mark under the soffit, 5 1/4" from the front edge of the cabinet. Secure the wood block under the soffit. From the bottom of the block to the finished floor should measure 84".

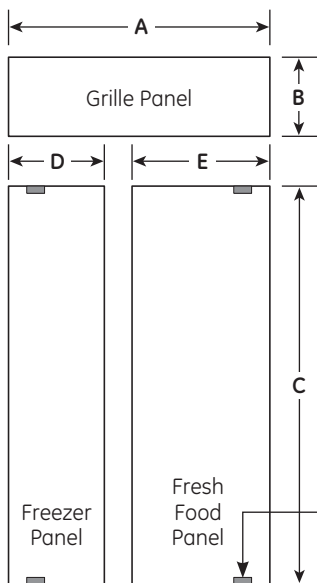
- D** Wooden Wall Studs and No Soffit
  - Cut a 2" x 4" block and secure to brackets provided.
  - Secure brackets to back wall of opening at 84" or your installation height from the floor.

See Installation Instructions for detailed instructions.

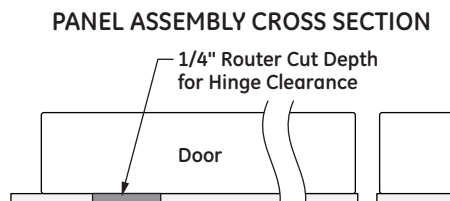
ANTI-TIP BRACKET



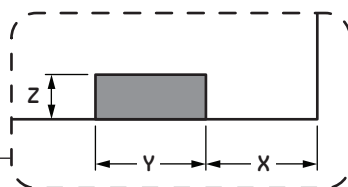
FLUSH INSET 3/4" PANEL DIMENSIONS



PANEL ASSEMBLY CROSS SECTION



HINGE CLEARANCES  
ROUTER 1/4" DEEP



HINGE  
CLEARANCE

| X      | Y  | Z    |
|--------|----|------|
| 1 1/4" | 1" | 1/2" |

PANEL DIMENSIONS

| A   | B       | C         | D       | E       |
|-----|---------|-----------|---------|---------|
| 44" | 10 5/8" | 68 13/16" | 16 7/8" | 26 7/8" |

FLUSH INSET INSTALLATION

NOTES

Trimmed refrigerators are designed to be customized with decorative panels. Field-installed 3/4" custom door and grille panels are required.

Adjustment brackets allow 1/8" fine adjustment of panel position in 3 dimensions.

Use templates provided to locate mounting brackets on the door and grille panels.

Maximum total panel weight:

- Fresh food door panels – 75 lbs.
- Freezer drawer panel – 53 lbs.
- Grille panel – 18 lbs

Door Handles

Door handle not included. A custom handle supplied by your cabinet maker may be used.

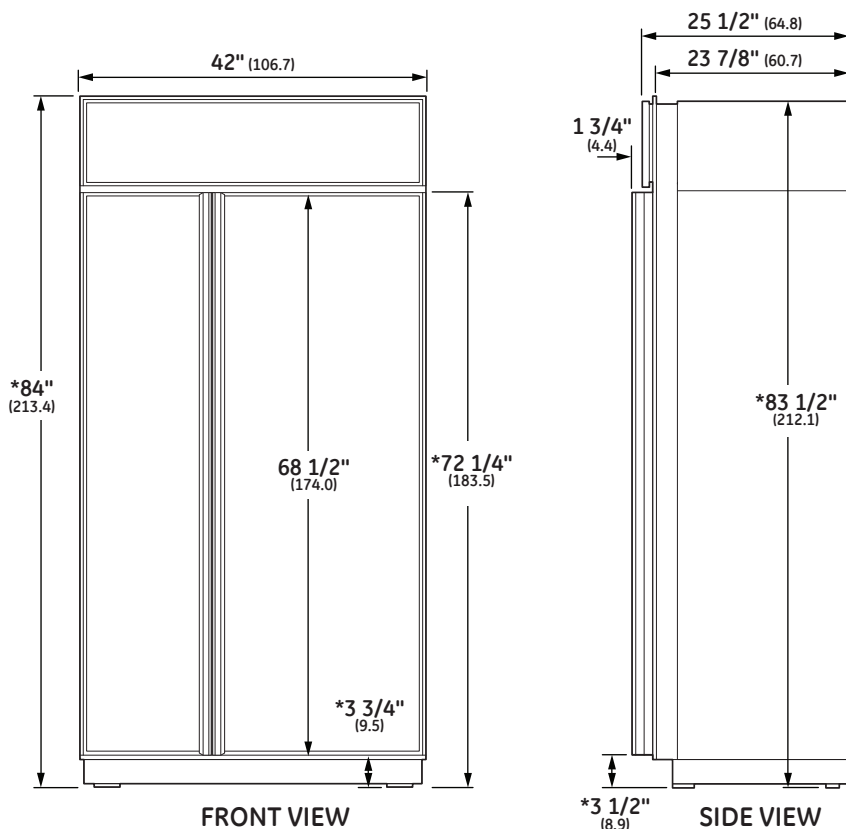
**ZKHPSS1:** Professional tubular stainless steel handle designed to fit 3/4" panels. Kit includes one handle – 30 1/2" long.

**ZKHSS2:** European tubular stainless steel handle designed to fit 3/4" panels. Kit includes one handle – 64 1/4" long.

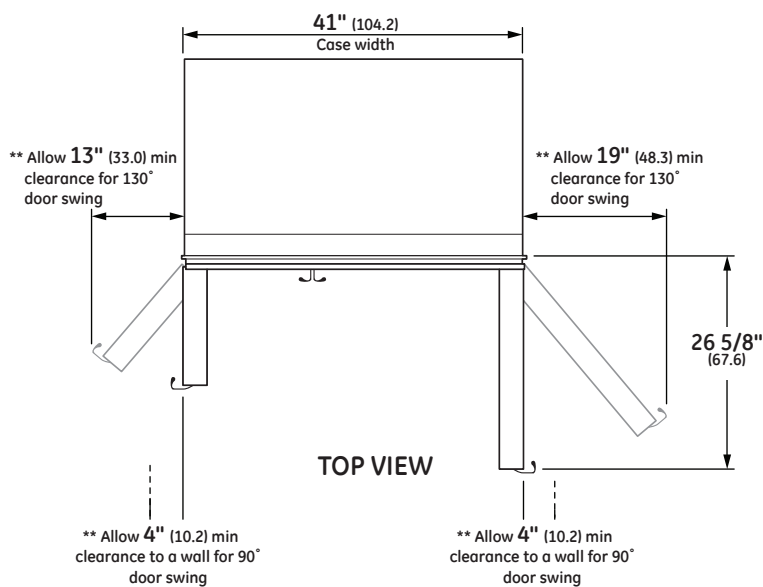


OVERALL DIMENSIONS

STANDARD INSTALLATION



\* Shipping height. Use leveling legs and wheels for maximum 1" height adjustment from shipping height.



\*\* These refrigerators are equipped with a 2-position door stop. The factory-set 130° door swing can be adjusted to 90° if clearances to adjacent cabinets or walls is restricted. Allow full 130° door swings for pan removal. If the 90° door stop position is used, pan access is maintained, but pan removal is restricted.

Dimensions in parentheses are in centimeters unless otherwise noted. Actual product dimensions may vary due to manufacturing tolerances.

SPECIFICATIONS

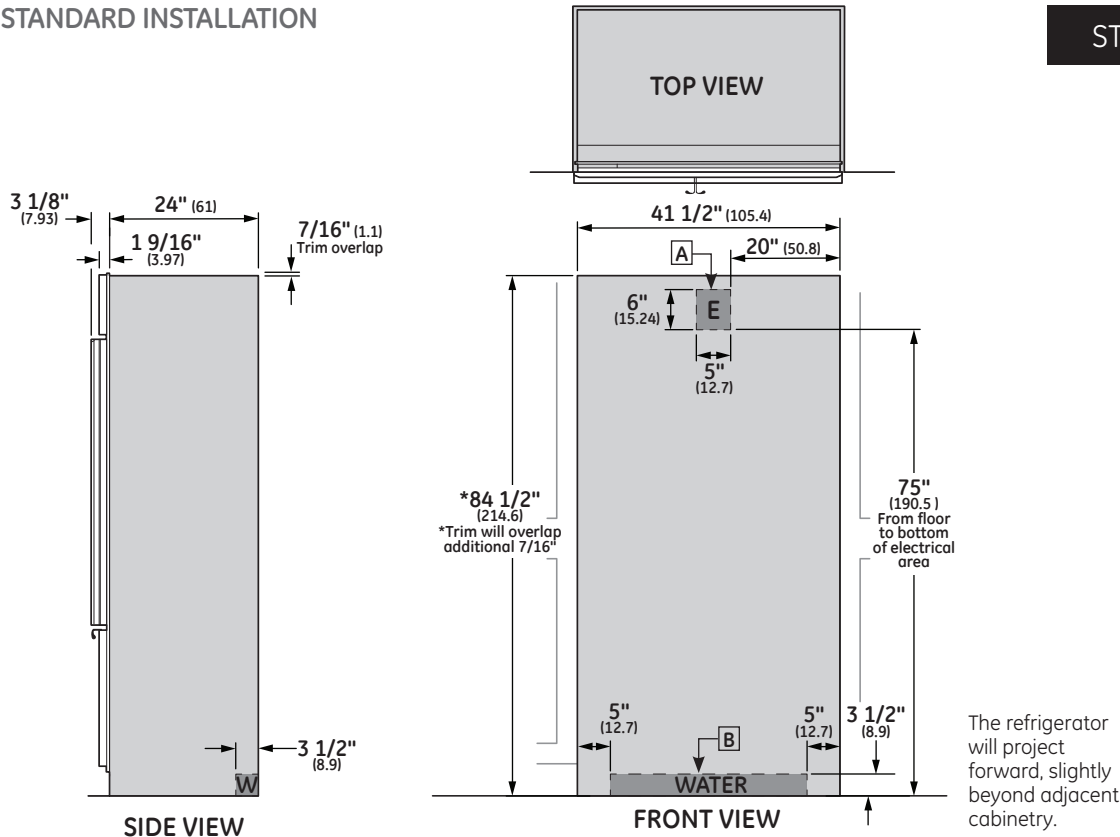
|                       |  |
|-----------------------|--|
| Overall Width         | 42" (106.7 cm)                               |
| Overall Height        | 84" (213.36 cm)                              |
| Overall Depth         | 25 3/8" (64.453 cm)                          |
| Door Clearance        | 26 5/8" (67.6 cm)                            |
| Cutout Width          | 41 1/2" (105.4 cm)                           |
| Cutout Height         | 83 1/2" - 84 1/2" (212.1 - 214.6 cm)         |
| Cutout Depth          | 24" (61 cm)                                  |
| Plumbing Requirements | 1/4" OD copper tubing or GE SmartConnect kit |
| Shipping Weight       | 725 lb (328.9 kg)                            |

ATTENTION ELECTRICIAN:

A 115 volt 60Hz., 15 or 20 amp power supply is required. An individual properly grounded branch circuit or circuit breaker is recommended. Install a properly grounded 3-prong electrical receptacle recessed into the back wall.



STANDARD INSTALLATION



STANDARD INSTALLATION

NOTES

- A Mounting the junction box in this location will also allow for front accessibility through access panel.
- B Water supply area.

**⚠ WARNING:**  
The refrigerator is top heavy and must be secured to prevent the possibility of tipping forward. Failure to do so may result in death or serious injury.  
The information below is for cabinet design only. When installing the anti-tip system you must use the product installation instructions.

Determine your installation construction and required anti-tip configuration:

C Installed Under Soffit  
After installing unit into installation opening, raise grille panel and screw metal case sides to adjacent cabinet. When installed under a soffit, the soffit cannot exceed 24" deep. The top case trim overlaps the bottom of the soffit.

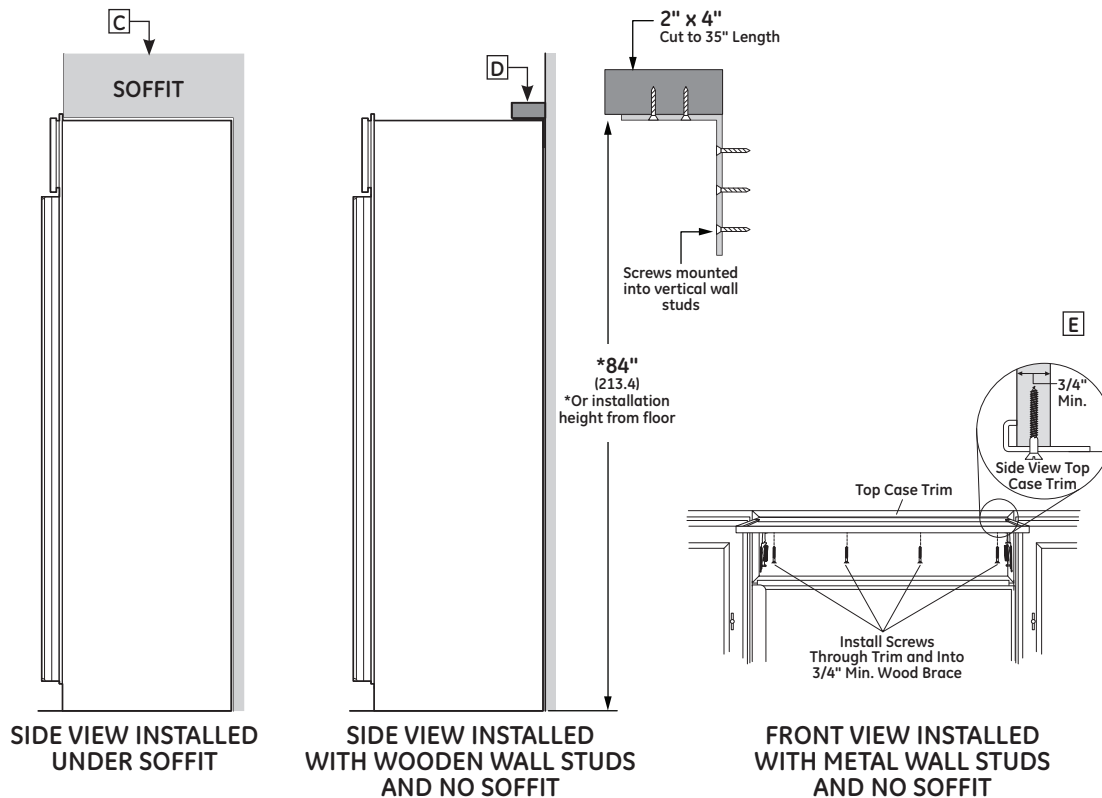
D Wooden Wall Studs and No Soffit  
• Cut a 2" x 4" block and secure to brackets provided.  
• Secure brackets to back wall of opening at 84" or your installation height from the floor.

E Metal Wall Studs and No Soffit  
This method requires securely fastened cabinets on both sides and a 3/4" minimum wood brace above unit, with its front surface 24" from back wall.

- After installing unit into opening, raise grille panel and attach metal case top trim to 3/4" minimum wood brace.
- The brace spanning the enclosure must be securely fastened to cabinets on both sides.

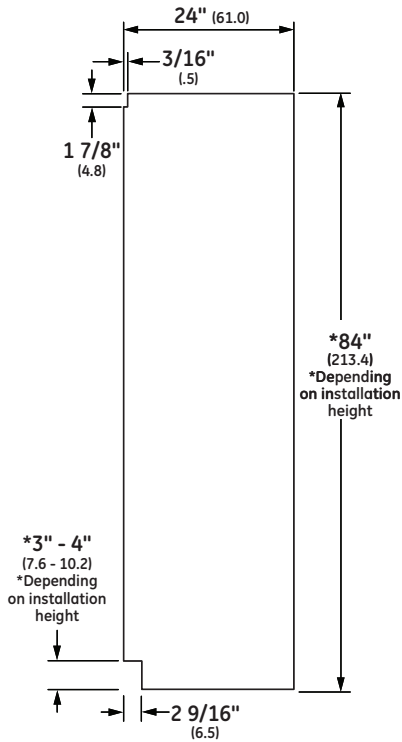
See Installation Instructions for detailed instructions.

ANTI-TIP BRACKET



CUSTOM SIDE PANELS

F



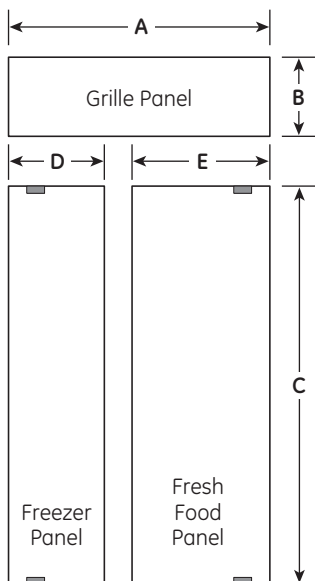
STANDARD INSTALLATION

NOTES

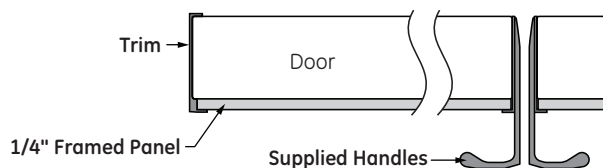
F Side panels must be used whenever the sides of the refrigerator will be exposed. The 1/4" side panels will slip into the side case trim. Secure the panels to the refrigerator with stick-on hook and loop fastener strips. Order the side panels from the cabinet manufacturer.



1/4" FRAMED PANEL DIMENSIONS



PANEL ASSEMBLY CROSS SECTION



PANEL DIMENSIONS

|                   | A       | B      | C       | D        | E        |
|-------------------|---------|--------|---------|----------|----------|
| 1/4" Framed Panel | 39 7/8" | 9 1/2" | 68 3/8" | 14 9/16" | 24 9/16" |

STANDARD INSTALLATION

NOTES

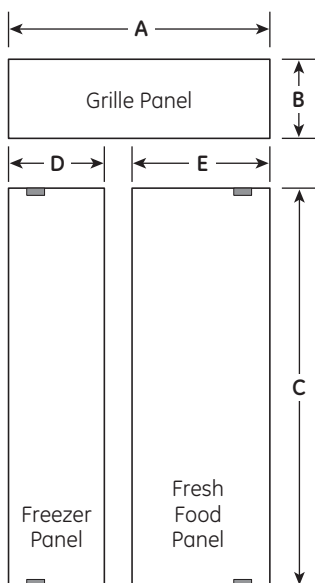
Trimmed refrigerators are designed to be customized with decorative panels. Field-installed custom door and grille panels are required.

**1/4" Framed Panels:**  
 Order trim kit #ZTK42SSH for 1/4" thick custom panels ordered from your cabinet maker. The decorative panels slide into the trim.

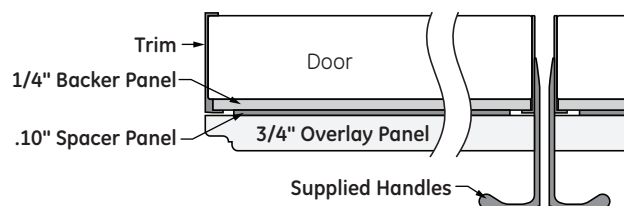
**Maximum total panel weight:**

- Fresh food door panel – 75 lbs.
- Freezer drawer panel – 53 lbs.
- Grille panel – 18 lbs

3/4" OVERLAY PANEL DIMENSIONS



PANEL ASSEMBLY CROSS SECTION



PANEL DIMENSIONS

|                    | A       | B      | C       | D         | E         |
|--------------------|---------|--------|---------|-----------|-----------|
| 1/4" Backer Panel  | 39 7/8" | 9 1/2" | 68 3/8" | 14 9/16"  | 24 9/16"  |
| .10" Spacer Panel  | 39"     | 8 5/8" | 67"     | 13 1/4"   | 23 1/4"   |
| 3/4" Overlay Panel | 40 1/8" | 9 3/4" | 68 5/8" | 14 13/16" | 24 13/16" |

$.25" + .10" + .75" = 1.10"$  Total Panel Thickness

**3/4" Overlay Panels:**  
 Order trim kit #ZTK42SSH for 3/4" thick custom panels ordered from your cabinet maker. The decorative panels slide into the trim.

The overlay panel must be secured to a 1/4"-thick backer panel which slides into the trim. A spacer panel 0.10" thick must be placed between the overlay and backer panels.

Center each panel over the other. Assemble the panels with glue and screws. Screws must be countersunk into the backer panel.

**NOTE:** Left-to-right offset is not always equal to top-to-bottom offset.

**Maximum total panel weight:**

- Fresh food door panel – 75 lbs.
- Freezer drawer panel – 53 lbs.
- Grille panel – 18 lbs

**Door Handles:**  
 The supplied handles can be adjusted to accommodate both framed or overlay panels. Custom handles of your choice, supplied by your cabinet maker, can also be installed.  
**ZKHPSS1:** Professional Tubular Stainless Steel Handle designed to fit 3/4" overlay panels.  
**ZKHSS2:** European tubular stainless steel handle designed to fit 3/4" overlay panels.

Kits include one handle. Order 2 kits for side-by-side refrigerators from your Monogram supplier.



## FEATURES AND BENEFITS

**Halogen Light Columns** - Located in the freezer and fresh food compartments, extend the full length of the interior compartments providing brilliant, all-level illumination

**LED Lighting** - Located at the top of the fresh food compartment, and inside the vegetable and climate-control drawers, illuminates contents without compromising space

**Advanced Temperature Management System with Multi-Shelf Air Tower** - Provides even distribution of air throughout the refrigerator

**Climate-Control Drawer** - Allows you to express-chill beverages, express-thaw meats and select specific temperatures for perishable foods

**Dispenser with Proximity Sensor** - Designed to accommodate glassware of all sizes, from pitchers to tumblers; control graphics light up as you approach and automatically switch off when you walk away

**Dairy Bin with Center Divider** - Has a unique magnetic seal that locks in freshness

**Filter-Change Indicator Light** - Located on the upfront control panel, provides a visual reminder when it's time to replace the filter for the water dispenser

**GE® Water Filter** - Has been moved from the fresh food compartment to the overhead cabinet, where it is discreetly out of sight

**Drop-Down Shelf** - Provides additional space for a casserole dish or pizza box

