

SECTION 1

FLUSH INSET INSTALLATION



SECTION 2

STANDARD INSTALLATION

1/4" FRAMED PANELS



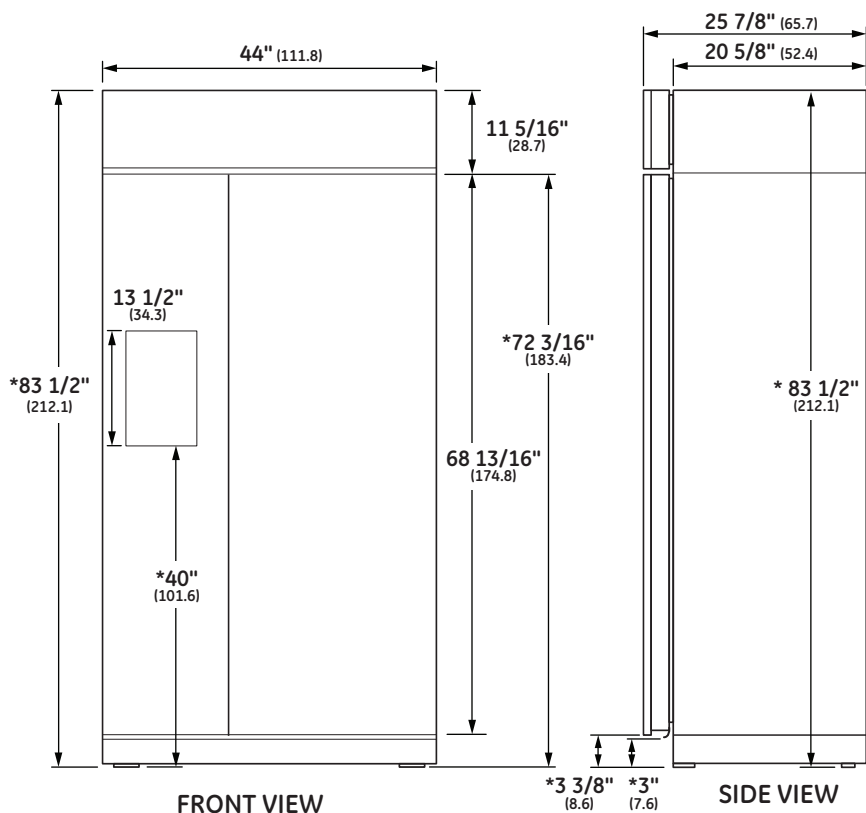
3/4" OVERLAY PANELS





OVERALL DIMENSIONS

FLUSH INSET INSTALLATION



* Shipping height. Use leveling legs and wheels for maximum 1" height adjustment from shipping height. Nominal installation height is 84".

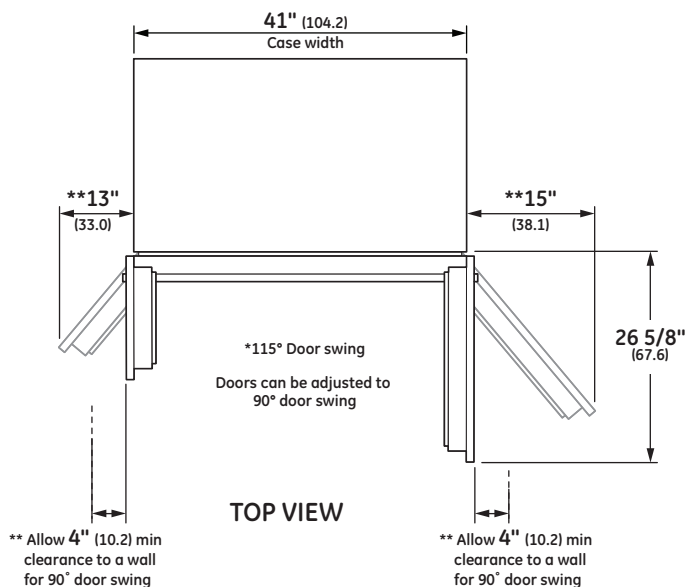
SPECIFICATIONS

Overall Width	44" (111.8 cm)†
Overall Height	83 1/2" (212.1 cm) †
Overall Depth	25 7/8" (65.7 cm) †
Door Clearance	28 5/8" (72.1 cm)
Cutout Width	45" (114.3 cm)
Cutout Height	84 1/2" (214.6 cm)
Cutout Depth	26 3/16" (66.5 cm)
Plumbing Requirements	1/4" OD copper tubing or GE SmartConnect kit
Shipping Weight	725 lb (328.9 kg)

† Dimensions include 3/4" custom cabinet panel

ATTENTION ELECTRICIAN:

A 115 volt 60Hz., 15 or 20 amp power supply is required. An individual properly grounded branch circuit or circuit breaker is recommended. Install a properly grounded 3-prong electrical receptacle recessed into the back wall.

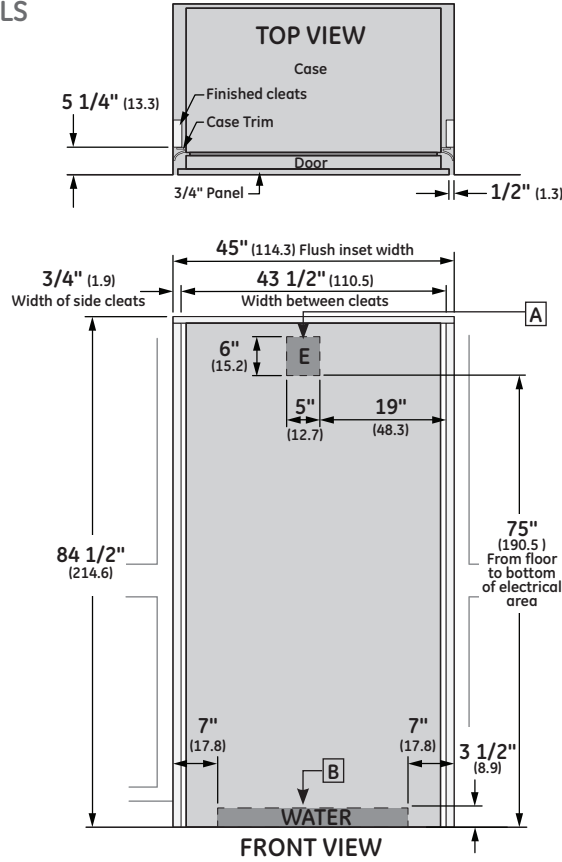
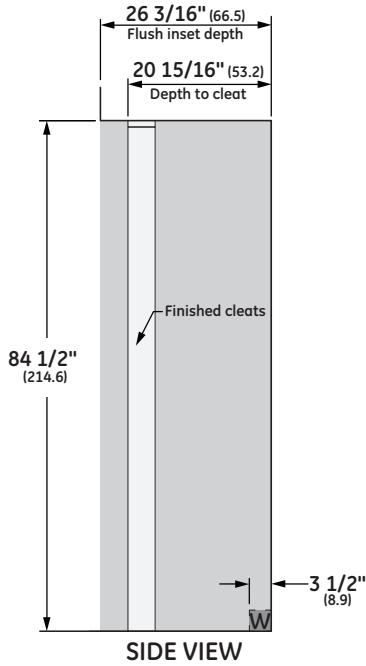


** These refrigerators are equipped with a 2-position door stop. The factory-set 115° door swing can be adjusted to 90° if clearances to adjacent cabinets or walls is restricted. Allow a 15" minimum clearance to wall for pan removal. If the 90° door stop position is used, pan access is maintained, but pan removal is restricted.

Dimensions in parentheses are in centimeters unless otherwise noted. Actual product dimensions may vary due to manufacturing tolerances.



FLUSH INSET INSTALLATION 3/4" PANELS



FLUSH INSET INSTALLATION

NOTES

- A** Mounting the junction box in this location will also allow for front accessibility through access panel.
- B** Water supply area.

⚠ WARNING:
The refrigerator is top heavy and must be secured to prevent the possibility of tipping forward. Failure to do so may result in death or serious injury.
The information below is for cabinet design only. When installing the anti-tip system you must use the product installation instructions.

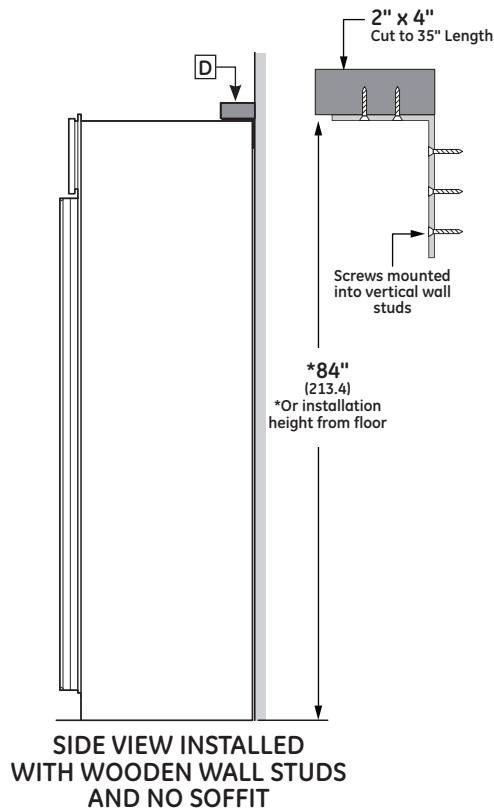
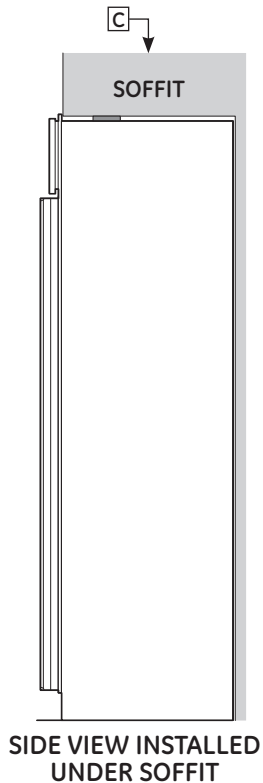
Determine your installation construction and required anti-tip configuration:

- C** Cut a 1/2" x 4" block 35" long. Measure and mark under the soffit, 5 1/4" from the front edge of the cabinet. Secure the wood block under the soffit. From the bottom of the block to the finished floor should measure 84".

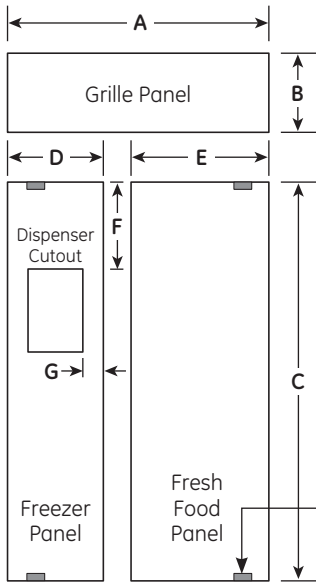
- D** Wooden Wall Studs and No Soffit
 - Cut a 2" x 4" block and secure to brackets provided.
 - Secure brackets to back wall of opening at 84" or your installation height from the floor.

See Installation Instructions for detailed instructions.

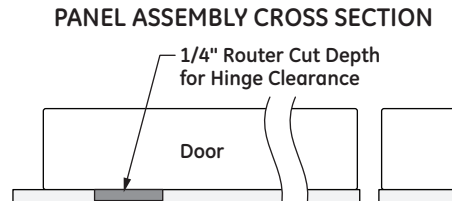
ANTI-TIP BRACKET



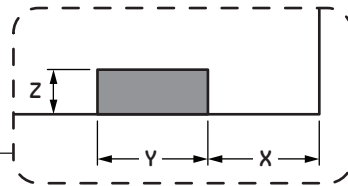
FLUSH INSET 3/4" PANEL DIMENSIONS



PANEL ASSEMBLY CROSS SECTION



HINGE CLEARANCES
ROUTER 1/4" DEEP

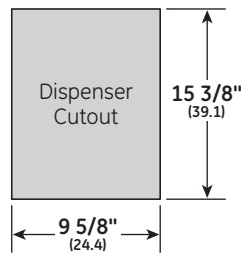


HINGE
CLEARANCE

X	Y	Z
1 1/4"	1"	1/2"

PANEL DIMENSIONS

A	B	C	D	E
44"	10 5/8"	68 13/16"	16 7/8"	26 7/8"



DISPENSER CUTOUT
POSITION

F	G
18"	3 7/16"

FLUSH INSET INSTALLATION

NOTES

Trimmed refrigerators are designed to be customized with decorative panels. Field-installed 3/4" custom door and grille panels are required.

Adjustment brackets allow 1/8" fine adjustment of panel position in 3 dimensions.

Use templates provided to locate mounting brackets on the door and grille panels.

Maximum total panel weight:

- Fresh food door panels – 75 lbs.
- Freezer drawer panel – 53 lbs.
- Grille panel – 18 lbs

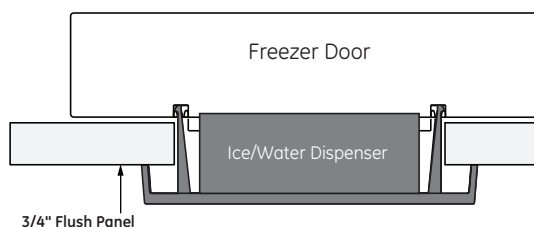
Door Handles

Door handle not included. A custom handle supplied by your cabinet maker may be used.

ZKHPSS1: Professional tubular stainless steel handle designed to fit 3/4" panels. Kit includes one handle – 30 1/2" long.

ZKHSS2: European tubular stainless steel handle designed to fit 3/4" panels. Kit includes one handle – 64 1/4" long.

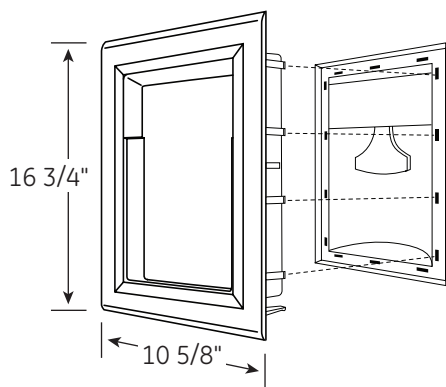
DISPENSER TRIM



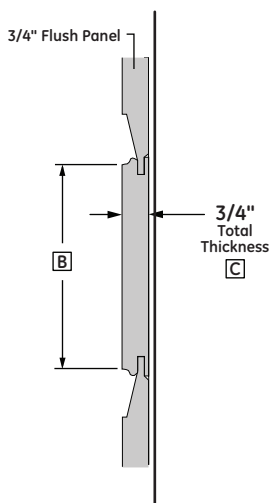
3/4" OVERLAY PANEL DISPENSER TRIM

A

RAISED PANEL DESIGN ON DISPENSER MODELS



DISPENSER TRIM



**SIDE VIEW CROSS SECTION
(Showing Raised Panel with
Middle Rail)**

FLUSH INSET INSTALLATION

NOTES

These refrigerators are supplied with a dispenser trim for flush inset panels.

- A 3/4" Panel Dispenser Trim:**
The provided dispenser trim is designed to fit a total panel thickness of 3/4".
- If the panel is less than 3/4" thick, a noticeable gap may be created around the dispenser trim.
- If the panel is more than 3/4" thick, the dispenser trim cannot be secured to the door.
- The overlay panel must be constructed according to the specifications shown to achieve the correct total thickness.
- When a raised panel design is to be used, a custom middle rail is required.

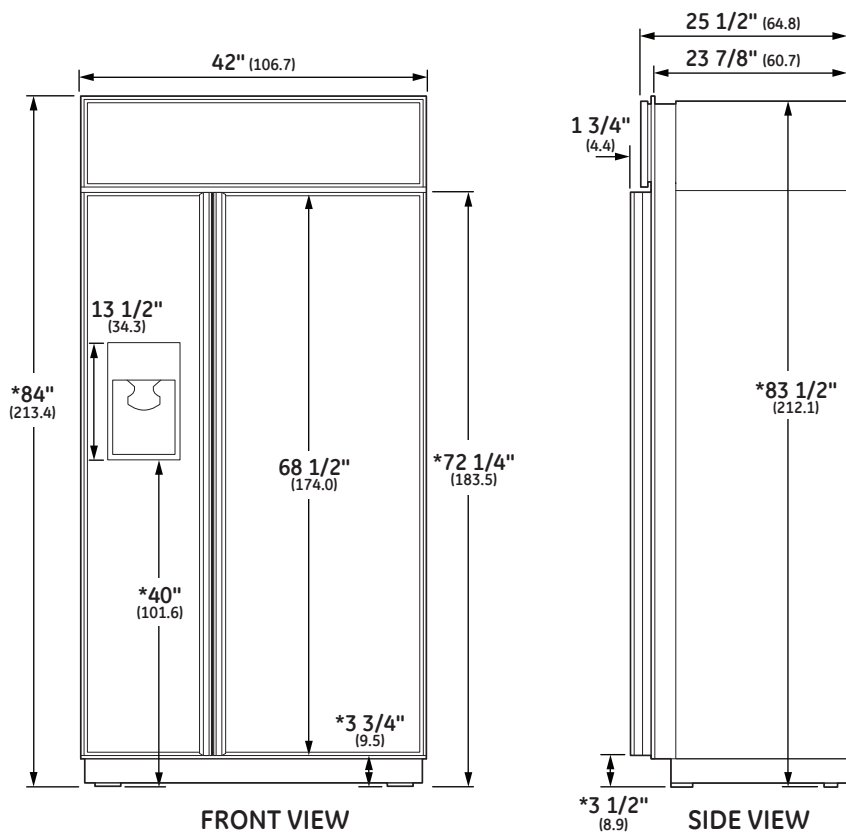
Raised Panel Design on Dispenser Models:
When a raised panel design is to be used, a custom wide middle rail is required to accept the dispenser trim.

- B** • The middle rail must be wide enough to allow for the dispenser trim to overlap the opening.
- C** • The middle rail must be 3/4" total thickness to accept the dispenser trim.

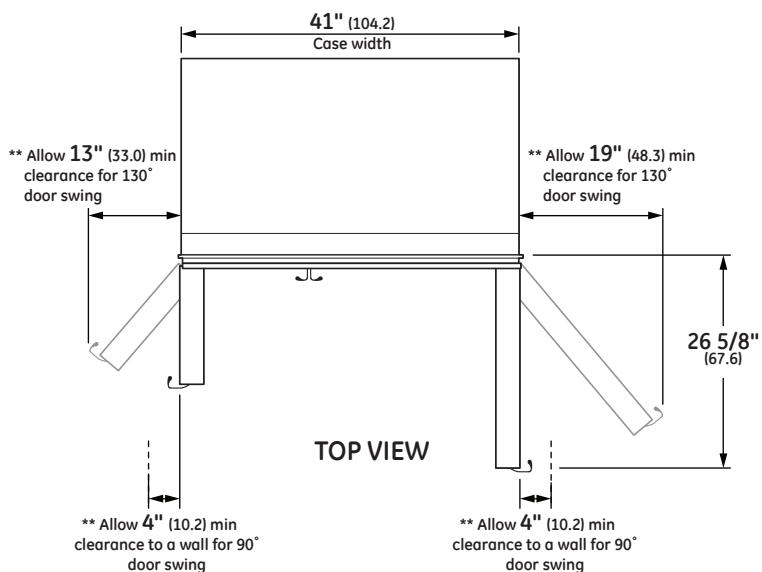


OVERALL DIMENSIONS

STANDARD INSTALLATION



* Shipping height. Use leveling legs and wheels for maximum 1" height adjustment from shipping height.



** These refrigerators are equipped with a 2-position door stop. The factory-set 130° door swing can be adjusted to 90° if clearances to adjacent cabinets or walls is restricted. Allow full 130° door swings for pan removal. If the 90° door stop position is used, pan access is maintained, but pan removal is restricted.

Dimensions in parentheses are in centimeters unless otherwise noted. Actual product dimensions may vary due to manufacturing tolerances.

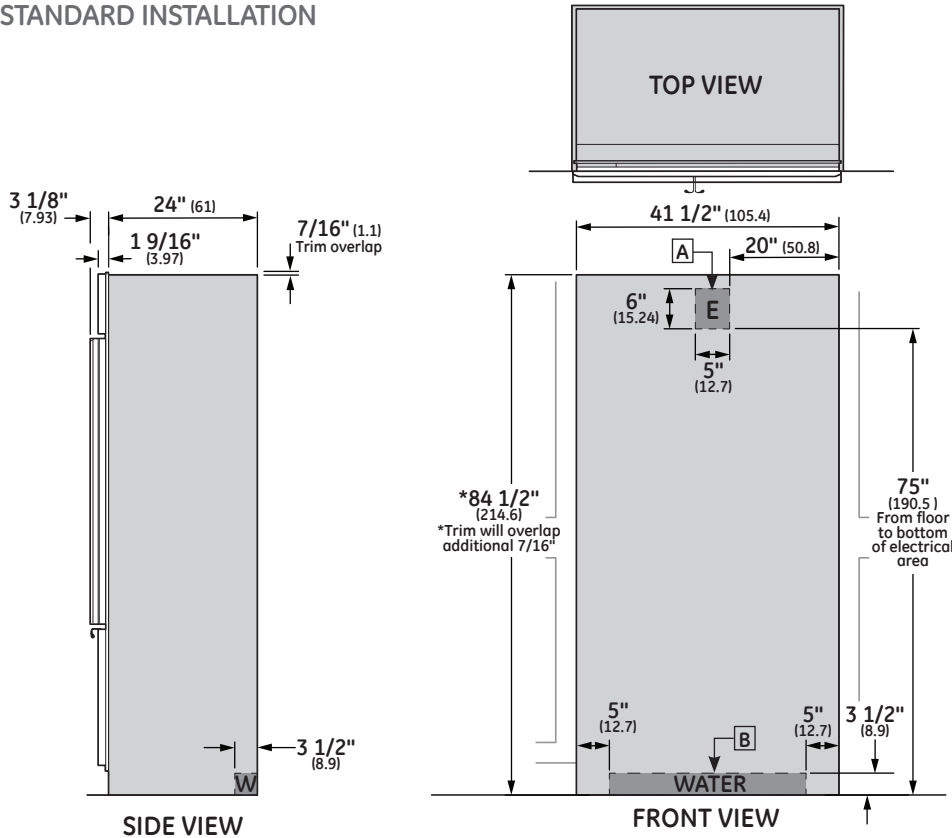
SPECIFICATIONS

Overall Width	42" (106.7 cm)
Overall Height	84" (213.36 cm)
Overall Depth	25 3/8" (64.453 cm)
Door Clearance	28 5/8" (72.1 cm)
Cutout Width	41 1/2" (105.4 cm)
Cutout Height	83 1/2" - 84 1/2" (212.1 - 214.6 cm)
Cutout Depth	24" (61 cm)
Plumbing Requirements	1/4" OD copper tubing or GE SmartConnect kit
Shipping Weight	725 lb (328.9 kg)

ATTENTION ELECTRICIAN:
 A 115 volt 60Hz., 15 or 20 amp power supply is required. An individual properly grounded branch circuit or circuit breaker is recommended. Install a properly grounded 3-prong electrical receptacle recessed into the back wall.



STANDARD INSTALLATION



STANDARD INSTALLATION

NOTES

- A** Mounting the junction box in this location will also allow for front accessibility through access panel.
- B** Water supply area.

⚠ WARNING:
The refrigerator is top heavy and must be secured to prevent the possibility of tipping forward. Failure to do so may result in death or serious injury.
The information below is for cabinet design only. When installing the anti-tip system you must use the product installation instructions.

Determine your installation construction and required anti-tip configuration:

C Installed Under Soffit
After installing unit into installation opening, raise grille panel and screw metal case sides to adjacent cabinet. When installed under a soffit, the soffit cannot exceed 24" deep. The top case trim overlaps the bottom of the soffit.

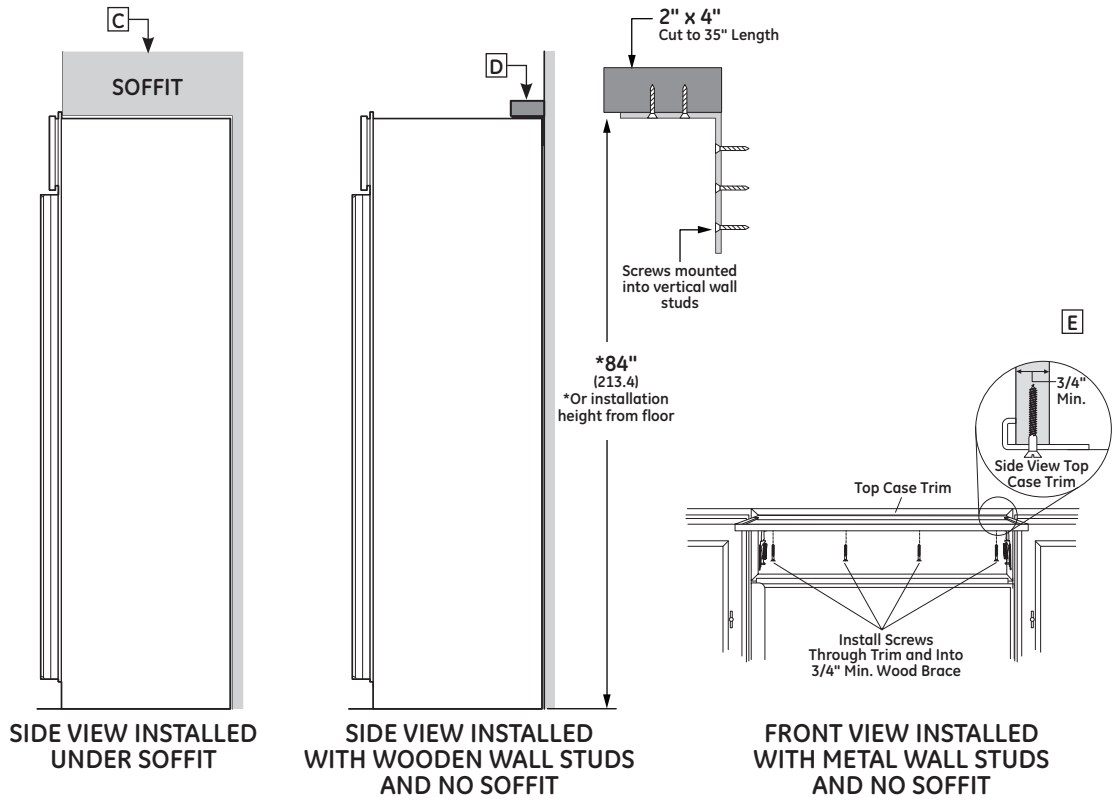
D Wooden Wall Studs and No Soffit
• Cut a 2" x 4" block and secure to brackets provided.
• Secure brackets to back wall of opening at 84" or your installation height from the floor.

E Metal Wall Studs and No Soffit
This method requires securely fastened cabinets on both sides and a 3/4" minimum wood brace above unit, with its front surface 24" from back wall.

• After installing unit into opening, raise grille panel and attach metal case top trim to 3/4" minimum wood brace.
• The brace spanning the enclosure must be securely fastened to cabinets on both sides.

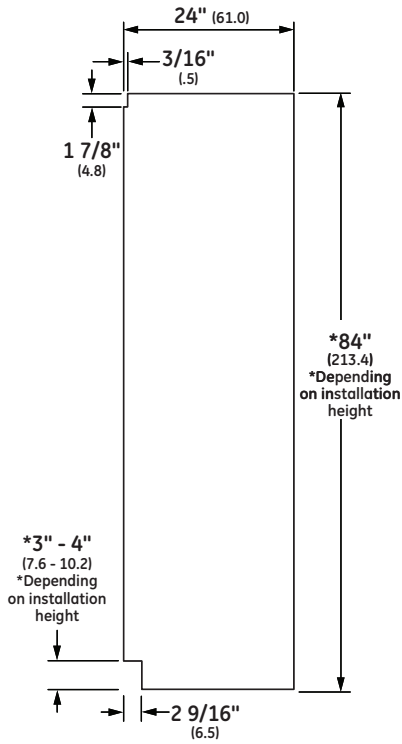
See Installation Instructions for detailed instructions.

ANTI-TIP BRACKET



CUSTOM SIDE PANELS

F

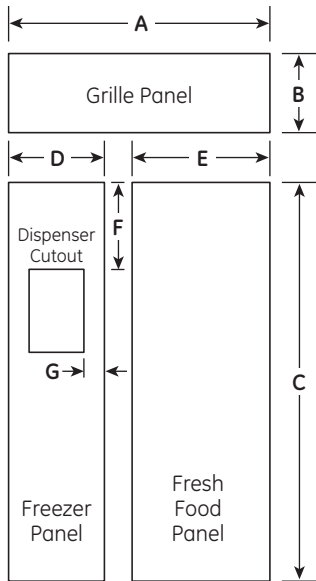


STANDARD INSTALLATION

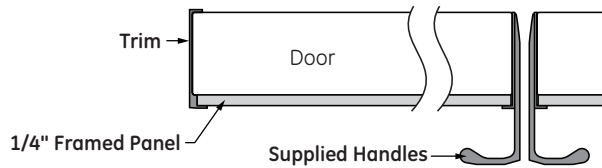
NOTES

F Side panels must be used whenever the sides of the refrigerator will be exposed. The 1/4" side panels will slip into the side case trim. Secure the panels to the refrigerator with stick-on hook and loop fastener strips. Order the side panels from the cabinet manufacturer.

1/4" FRAMED PANEL DIMENSIONS

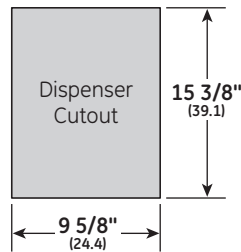


PANEL ASSEMBLY CROSS SECTION



PANEL DIMENSIONS

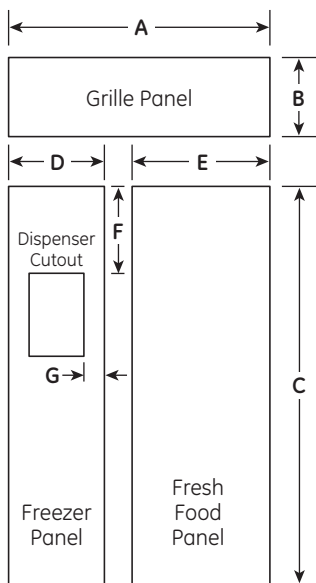
	A	B	C	D	E
1/4" Framed Panel	39 7/8"	9 1/2"	68 3/8"	14 9/16"	24 9/16"



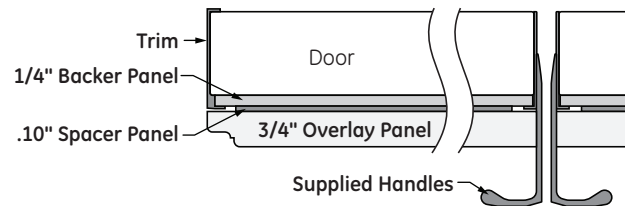
DISPENSER CUTOUT POSITION

F	G
17 13/16"	3 1/8"

3/4" OVERLAY PANEL DIMENSIONS



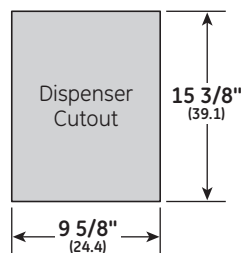
PANEL ASSEMBLY CROSS SECTION



PANEL DIMENSIONS

	A	B	C	D	E
1/4" Backer Panel	39 7/8"	9 1/2"	68 3/8"	14 9/16"	24 9/16"
.10" Spacer Panel	39"	8 5/8"	67"	13 1/4"	23 1/4"
3/4" Overlay Panel	40 1/8"	9 3/4"	68 5/8"	14 13/16"	24 13/16"

.25" + .10" + .75" = 1.10" Total Panel Thickness



*DISPENSER CUTOUT POSITION

F	G
17 15/16"	3 1/4"

* Cut the dispenser opening after the backer, spacer and overlay panels have been assembled.

STANDARD INSTALLATION

NOTES

Trimmed refrigerators are designed to be customized with decorative panels. Field-installed custom door and grille panels are required.

1/4" Framed Panels:

Order trim kit #ZTK42SSH

for 1/4" thick custom panels ordered from your cabinet maker. The decorative panels slide into the trim.

Maximum total panel weight:

- Fresh food door panel – 75 lbs.
- Freezer drawer panel – 53 lbs.
- Grille panel – 18 lbs

3/4" Overlay Panels:

Order trim kit #ZTK42SSH

for 3/4" thick custom panels ordered from your cabinet maker. The decorative panels slide into the trim.

The overlay panel must be secured to a 1/4"-thick backer panel which slides into the trim. A spacer panel .10" thick must be placed between the overlay and backer panels.

Center each panel over the other. Assemble the panels with glue and screws. Screws must be countersunk into the backer panel.

NOTE: Left-to-right offset is not always equal to top-to-bottom offset.

Maximum total panel weight:

- Fresh food door panel – 75 lbs.
- Freezer drawer panel – 53 lbs.
- Grille panel – 18 lbs

Door Handles:

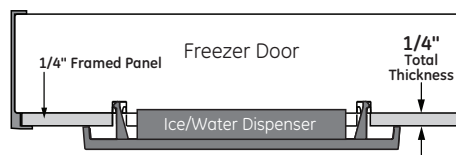
The supplied handles can be adjusted to accommodate both framed or overlay panels. Custom handles of your choice, supplied by your cabinet maker, can also be installed.

ZKHPSS1: Professional Tubular Stainless Steel Handle designed to fit 3/4" overlay panels.

ZKHSS2: European tubular stainless steel handle designed to fit 3/4" overlay panels.

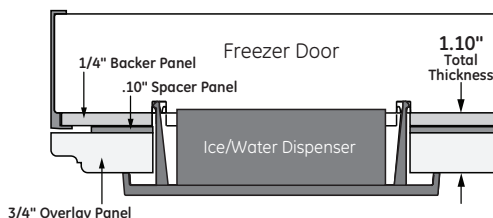
Kits include one handle. Order 2 kits for side-by-side refrigerators from your Monogram supplier.

DISPENSER TRIM



1/4" PANEL DISPENSER TRIM

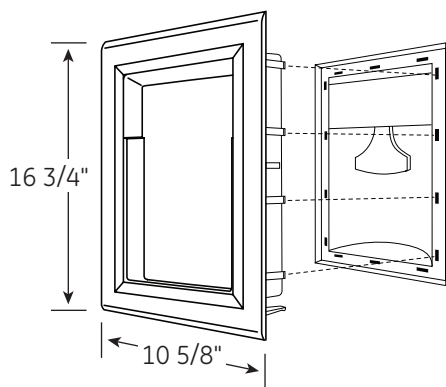
A



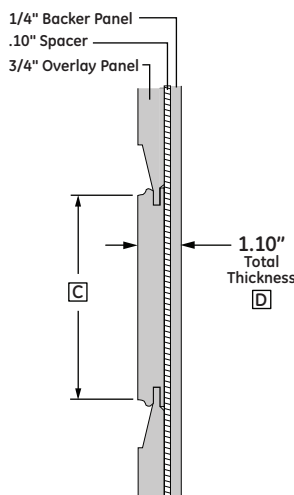
3/4" OVERLAY PANEL DISPENSER TRIM

B

RAISED OVERLAY PANEL DESIGN ON DISPENSER MODELS



DISPENSER TRIM



SIDE VIEW CROSS SECTION
(Showing Raised Overlay
with Middle Rail)

STANDARD INSTALLATION

NOTES

These refrigerators are supplied with two dispenser trims, one for framed panels and one for overlay panels.

1/4" Panel Dispenser Trim:

The framed panel must be 1/4" nominal thickness to fit the dispenser trim.

- The dispenser trim fits over the custom panel and snaps into the freezer door.
- If the panel is less than 0.250" thick, a noticeable gap may be created around the dispenser trim. Foam tape may be applied on the door to improve the fit.

- If the panel is more than 0.250" thick, the dispenser trim cannot be secured to the door.

3/4" Overlay Panel Dispenser Trim:

The 3/4" overlay dispenser trim is designed to fit a total panel thickness of 1.100".

- If the panel is less than 1.100" thick, a noticeable gap may be created around the dispenser trim.

- If the panel is more than 1.100" thick, the dispenser trim cannot be secured to the door.

- The overlay panel must be constructed according to the specifications shown to achieve the correct total thickness.

- Alternative panel construction methods such as securing a 3/4" panel to a 1/4" backer panel cannot be used. Another method, routing a 3/4"-thick panel on all sides, cannot be used. These methods will not result in the required 1.100" panel thickness.

- When a raised panel design is to be used, a custom middle rail is required.

Raised Overlay Panel Design on Dispenser Models:

When a raised panel design is to be used, a custom wide middle rail is required to accept the dispenser trim.

- The middle rail must be wide enough to allow for the dispenser trim to overlap the opening.

- The middle rail must be 1.10" total thickness to accept the dispenser trim.

FEATURES AND BENEFITS

Halogen Light Columns - Located in the freezer and fresh food compartments, extend the full length of the interior compartments providing brilliant, all-level illumination

LED Lighting - Located at the top of the fresh food compartment, and inside the vegetable and climate-control drawers, illuminates contents without compromising space

Advanced Temperature Management System with Multi-Shelf Air Tower - Provides even distribution of air throughout the refrigerator

Climate-Control Drawer - Allows you to express-chill beverages, express-thaw meats and select specific temperatures for perishable foods

Dispenser with Proximity Sensor - Designed to accommodate glassware of all sizes, from pitchers to tumblers; control graphics light up as you approach and automatically switch off when you walk away

Dairy Bin with Center Divider - Has a unique magnetic seal that locks in freshness

Filter-Change Indicator Light - Located on the upfront control panel, provides a visual reminder when it's time to replace the filter for the water dispenser

GE® Water Filter - Has been moved from the fresh food compartment to the overhead cabinet, where it is discreetly out of sight

Drop-Down Shelf - Provides additional space for a casserole dish or pizza box

