

MONOGRAM

ZISS360DHSS

Monogram® 36" Built-In Side-by-Side Refrigerator with Dispenser

Features

\$8,599 MSRP*

Advanced temperature management system with multi-shelf air tower

Provides even distribution of air throughout the refrigerator

Color-matched dispenser with Proximity Sensor

Designed to accommodate glassware of all sizes, from pitchers to tumblers; control graphics light up as you approach and automatically switch off when you walk away

Climate-control drawer

Allows you to express-chill beverages, express-thaw meats and select specific temperatures for perishable foods

Brilliant halogen light columns

Located in the freezer and fresh food compartments, (these columns) extend the full length of the interior compartments providing powerful, all-level illumination

Humidity-controlled vegetable drawer

Helps preserve the freshness of foods

Filter-change indicator light

Located on the upfront control panel, provides a visual reminder when it's time to replace the filter for the water dispenser

LED lighting

Located at the top of the fresh food compartment, and inside the vegetable and climate-control drawers, illuminates contents without compromising space

GE® water filter

Has been moved from the fresh food compartment to the overhead cabinet, where it is discreetly out of sight



* Manufacturer's Suggested Retail Price (MSRP)

Actual retail prices may vary by dealer. MSRP applies to the continental 48 United States and does not include such items as delivery, installation, installation accessories (i.e. range cords), or removal of old appliances. Consult your local authorized GE dealer for its prices.

MONOGRAM

ZISS360DHSS

Monogram® 36" Built-In Side-by-Side Refrigerator with Dispenser

Adjustable door bins

Can be moved to one of two positions in seven locations

Dairy bin with center divider

Has a unique magnetic seal that locks in freshness

Adjustable deli drawer on full-extension slides

Keeps meats, cheeses and other everyday foods within easy reach

Drop-down shelf

Provides additional space for a casserole dish or pizza box

Adjustable spillproof glass shelves

Easily accommodate party trays and platters

Gallon-size door bin

Holds milk containers, two-liter bottles and pitchers

MONOGRAM

ZISS360DHSS

Monogram® 36" Built-In Side-by-Side Refrigerator with Dispenser

Specifications

APPROXIMATE DIMENSIONS (HxDxW)

84 in x 25 3/4 in x 36 in

CAPACITY

Total Capacity (cubic feet)	20.41 cu ft
Fresh Food Capacity	11.54 cu ft
Freezer Capacity	8.87 cu ft

FEATURES

Temperature Management Features	Electronic Sensors ; Multi-Shelf Air Management Tower
Control Type	Upfront Electronic Digital Temperature Display
Defrost Type	Auto
Icemaker	Factory-Installed
Dispenser	Extra-Tall w/ Cubes, Crushed Ice & Chilled Water
Dispenser Features	Disappearing Electronic Glass Touch with Proximity Sensor ; Child Lock ; Dispenser Light ; Door Alarm ; Water Filter Indicator Light
Water Filtration	GE Water Filtration 6 Month
Fresh Food Cabinet Shelves	5 Total
Fresh Food Cabinet Shelf Features	Adjustable ; Spill-Proof ; Glass
Fresh Food Door Bins	4
Fresh Food Door Features	Adjustable ; Gallon Storage
Fresh Food Features	Butter Dish - Glass, Covered ; Dairy Compartment - Sealed
Beverage Feature	Wine Caddy
Climate Control Drawer	Express Chill, Express Thaw, Select Temp
Deli Drawer	Adjustable Sealed
Produce Drawer	High Humidity Sealed
Freezer Cabinet Shelves	5 Total ; Wire ; 5 Adjustable
Freezer Door Bins	3 Total
Freezer Utility Baskets	2
Clear Lexan Bins and Pans	Yes
Interior Lighting	Halogen Light Towers, Top LED and Pan LED Lighting
Leveling System	All Corners
Sabbath Mode Kit	Optional - ZSAB1
Exterior Style	Built-In

ECONOMICAL

Quiet Features	Stainless Sealed Adjustable Toe Kick
----------------	--------------------------------------

APPEARANCE

Color Appearance	Stainless Steel
------------------	-----------------

MONOGRAM

ZISS360DHSS

**Monogram® 36" Built-In Side-by-Side Refrigerator
with Dispenser**

Design Style	European Stainless Steel
Dispenser Color	Black
Exterior Design	Stainless Steel Wrapped
Handle	Monogram Tubular - Stainless Steel
Door Stops	90 Degree and 130 Degree
Hidden Door Hinge(s)	Yes
Easy Access Hinged Grille	Yes
Installation	Industry Standard Flush Installation
Master Light Control Switch	Yes
Wrapped Stainless Steel Door and Grill	Yes

WEIGHTS & DIMENSIONS

Approximate Shipping Weight	675.00 lb
Net Weight	638.00 lb
Overall Depth	25 3/4 in
Overall Height	84 in
Overall Width	36 in

POWER/RATINGS

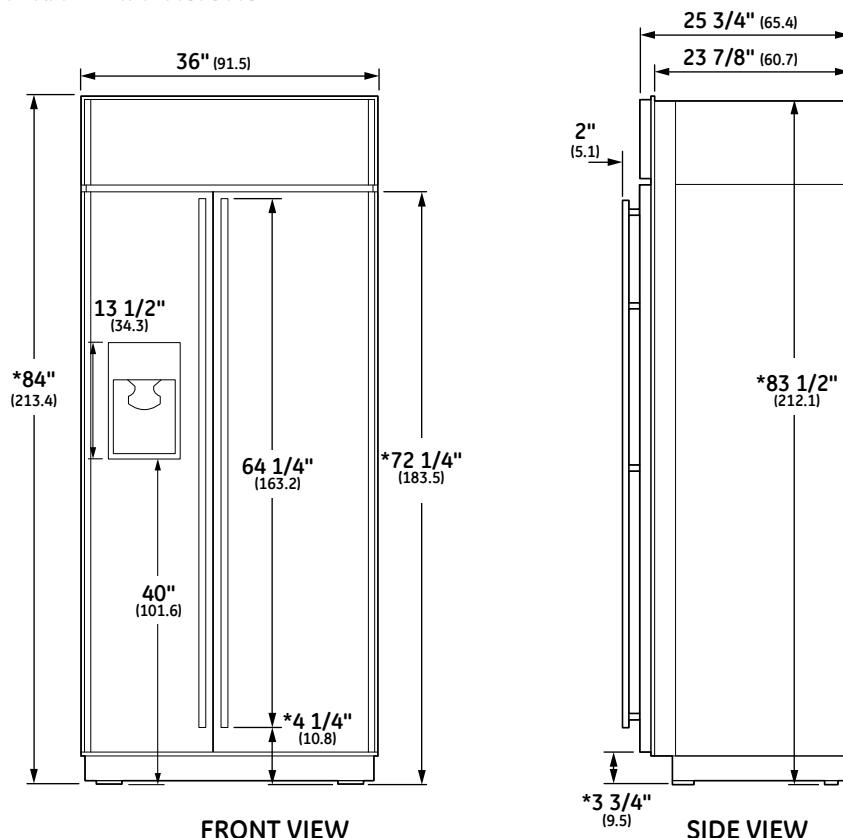
Volts/Hertz/Amps	115V; 60Hz; 20A
------------------	-----------------

WARRANTY

Parts Warranty	Limited 2-year entire appliance ; Limited 5-year sealed refrigerating system ; Limited 12-year sealed refrigerating system
Labor Warranty	Limited 2-year entire appliance ; Limited 5-year sealed refrigerating system
Warranty Notes	See written warranty for full details



OVERALL DIMENSIONS



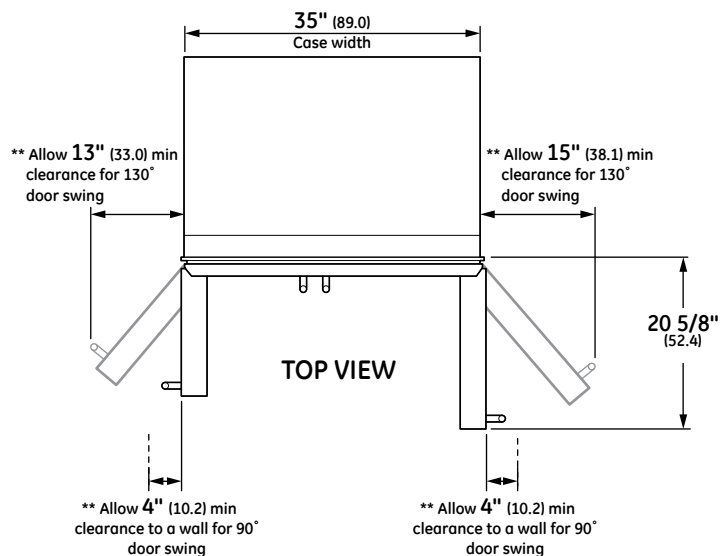
* Shipping height. Use leveling legs and wheels for maximum 1" height adjustment from shipping height.

SPECIFICATIONS

Overall Width	36" (91.44 cm)
Overall Height	84" (213.36 cm)
Overall Depth	25 3/4" (65.41 cm)
Door Clearance	20 5/8" (52.4 cm)
Cutout Width	35 1/2" (90.2 cm)
Cutout Height	83 1/2" - 84 1/2" (212.1 - 214.6 cm)
Cutout Depth	24" (61 cm)
Plumbing Requirements	1/4" OD copper tubing or GE SmartConnect kit
Shipping Weight	675 lb

ATTENTION ELECTRICIAN:

A 115 volt 60Hz., 15 or 20 amp power supply is required. An individual properly grounded branch circuit or circuit breaker is recommended. Install a properly grounded 3-prong electrical receptacle recessed into the back wall.

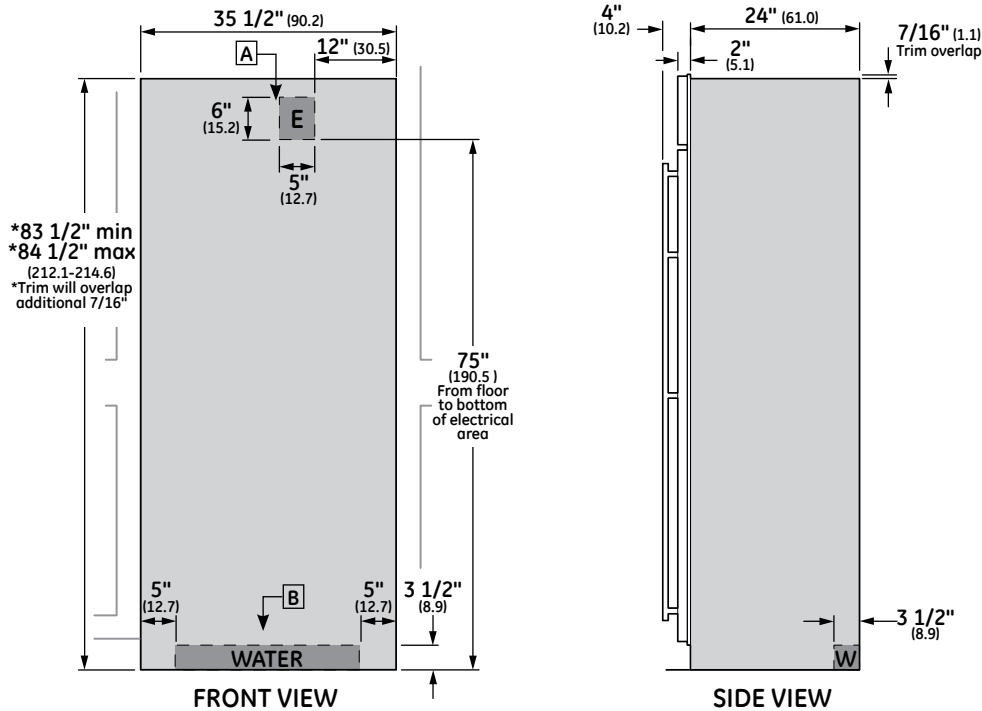


** These refrigerators are equipped with a 2-position door stop. The factory-set 130° door swing can be adjusted to 90° if clearances to adjacent cabinets or walls is restricted. Allow full 130° door swings for pan removal. If the 90° door stop position is used, pan access is maintained, but pan removal is restricted.

Dimensions in parentheses are in centimeters unless otherwise noted. Actual product dimension may vary due to manufacturing tolerances.



STANDARD INSTALLATION



The refrigerator will project forward, slightly beyond adjacent cabinetry.

NOTES

A Mounting the junction box in this location will also allow for front accessibility through access panel.

B Water supply area.

! WARNING:
The refrigerator is top heavy and must be secured to prevent the possibility of tipping forward. Failure to do so may result in death or serious injury.
The information below is for cabinet design only. When installing the anti-tip system you must use the product installation instructions.

Determine your installation construction and required anti-tip configuration:

C Installed Under Soffit

After installing unit into installation opening, raise grille panel and screw metal case sides to adjacent cabinet. When installed under a soffit, the soffit cannot exceed 24" deep. The top case trim overlaps the bottom of the soffit.

D Wooden Wall Studs and No Soffit

- Cut a 2" x 4" block and secure to brackets provided.
- Secure brackets to back wall of opening at 84" or your installation height from the floor.

E Metal Wall Studs and No Soffit

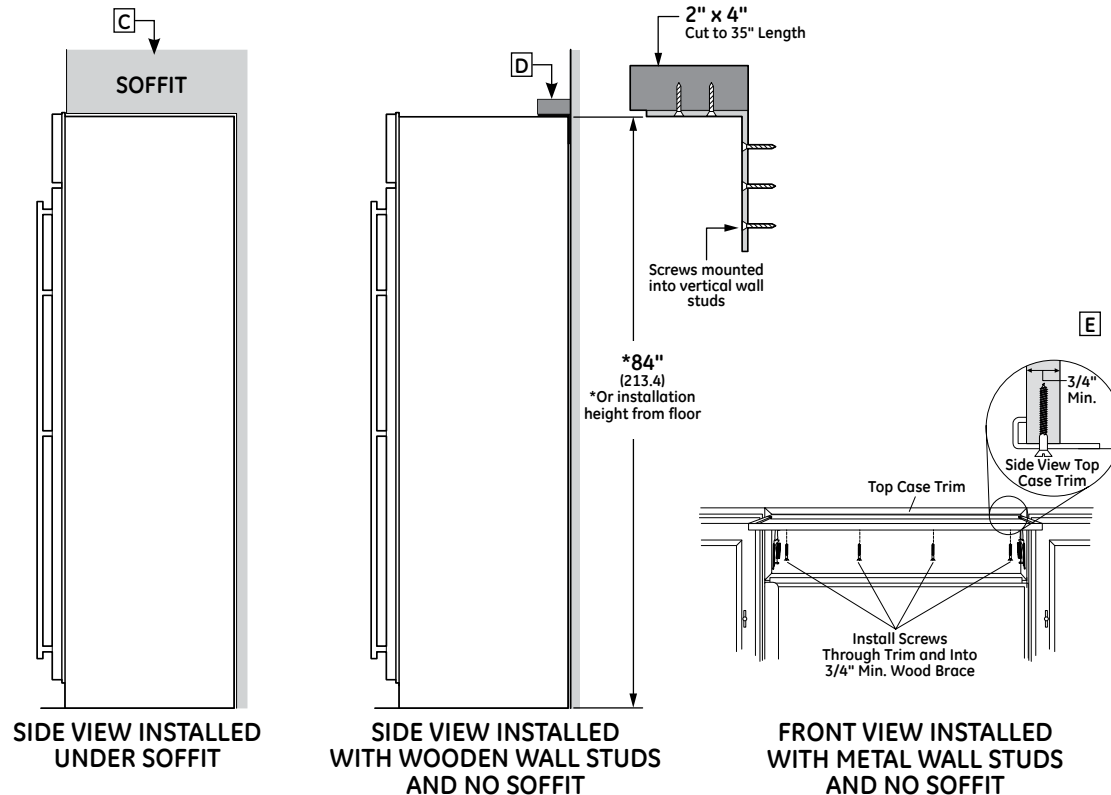
This method requires securely fastened cabinets on both sides and a 3/4" minimum wood brace above unit, with it's front surface 24" from back wall.

- After installing unit into opening, raise grille panel and attach metal case top trim to 3/4" minimum wood brace.

- The brace spanning the enclosure must be securely fastened to cabinets on both sides.

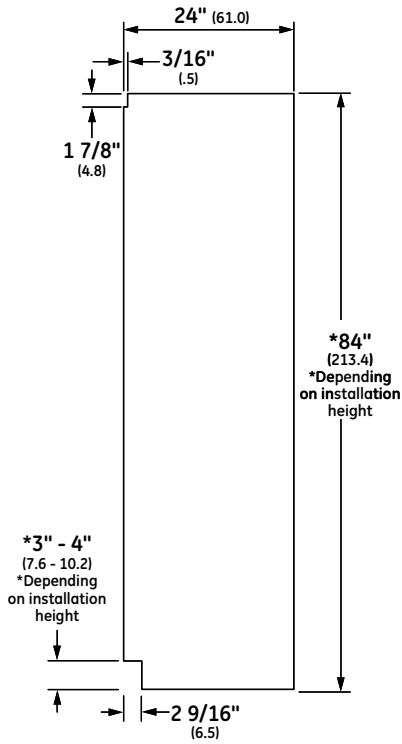
See Installation Instructions for detailed instructions.

ANTI-TIP BRACKET



CUSTOM SIDE PANELS

F



NOTES

F Side panels must be used whenever the sides of the refrigerator will be exposed. The 1/4" side panels will slip into the side case trim. Secure the panels to the refrigerator with stick-on hook and loop fastener strips. Order the side panels from the cabinet manufacturer.

FEATURES AND BENEFITS

Halogen Light Columns - Located in the freezer and fresh food compartments, extend the full length of the interior compartments providing brilliant, all-level illumination

LED Lighting - Located at the top of the fresh food compartment, and inside the vegetable and climate-control drawers, illuminates contents without compromising space

Advanced Temperature Management System with Multi-Shelf Air Tower - Provides even distribution of air throughout the refrigerator

Climate-Control Drawer - Allows you to express-chill beverages, express-thaw meats and select specific temperatures for perishable foods

Dispenser with Proximity Sensor - Designed to accommodate glassware of all sizes, from pitchers to tumblers; control graphics light up as you approach and automatically switch off when you walk away

Filter-Change Indicator Light - Located on the upfront control panel, provides a visual reminder when it's time to replace the filter for the water dispenser

GE® Water Filter - Has been moved from the fresh food compartment to the overhead cabinet, where it is discreetly out of sight

Dairy Bin with Center Divider - Has a unique magnetic seal that locks in freshness



70 to 90% U.S. content. Product content details at GEAppliances.com/USA

