

# Freestanding Ranges

FFEF3024R S/W

30" Electric



### Product Dimensions

Height (Max.)	48"
Width	29-7/8"
Depth (Including Handle)	29-1/4"

### More Easy-To-Use Features

**Store-More™ Storage Drawer**  
Our convenient drawer gives you extra storage space in your kitchen.

**Quick Clean**  
For a quick, light oven cleaning.

**Color-Coordinated Oven Door with Large Window**  
Stylish look with a large window makes it easy to check on what's cooking without opening the door.

**Delay Start Baking Option**

**Delay Clean**  
Set the oven to begin cleaning on your schedule.

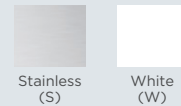
**Hi/Lo Broil Options**  
Offers two-position broiling and variable temperature control for more control.

**Auto Shut-Off**  
As an extra safety measure, the oven will automatically shut off after 12 hours.

**Electronic Kitchen Timer**

**Attractive Stainless Steel Exterior<sup>1</sup>**

Available in:



## Signature Features

### Ready-Select® Controls

Select options or control cooking temperature with our easy-to-use controls.

### Large Capacity

Our large capacity oven gives you room to cook more at once.

### One-Touch Self Clean

Start the self-cleaning cycle with just the touch of a button.

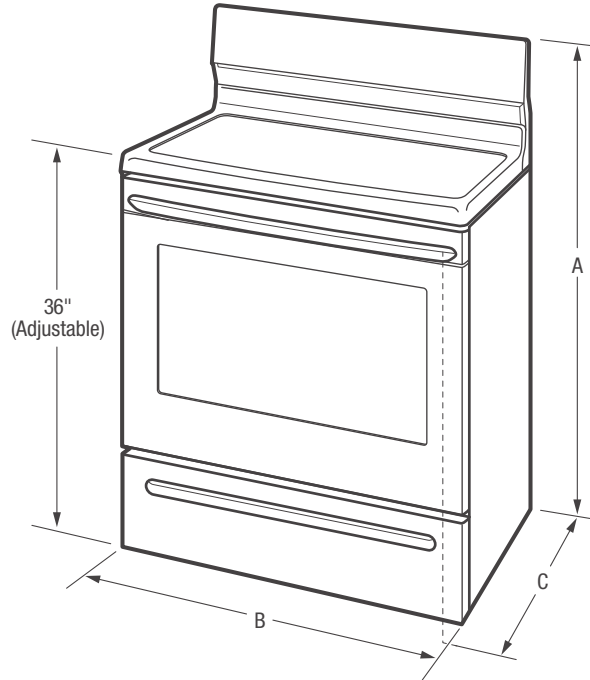
### SpaceWise® Expandable Element

Flexible element expands to your cooking needs.

Elements	Size	Watts
Right Front	6" / 9" Expandable	1,200 / 2,500
Right Rear	6"	1,200
Left Front	6" / 9" Expandable	1,200 / 2,500
Left Rear	6"	1,200

<sup>1</sup>Select model only.

<b>Features</b>	
Oven Control/Timing System	Ready-Select® Controls
Surface Type	Black Ceramic Glass
Window	Extra-Large
Exterior Door Finish	Stainless Steel (S), Color-Coordinated (W)
Handle Design	Stainless Steel (S), Color-Coordinated (W)
Exterior Finish (Side Panels)	Black (S), Color-Coordinated (W)
Convection System	Quick Bake Convection
Oven Cleaning System	Self Clean
Drawer Functionality	Storage
<b>Oven Controls</b>	
Bake	Yes
Broil	Variable (400-550°F)
Quick Bake Convection	Yes
Add-a-Minute	
Delay Start	Yes
Self-Clean	Yes
Quick Clean Option	Yes
Delay Clean	2, 3 Hours
Kitchen Timer	Yes
Timed Cook Option	Yes
Auto Oven Shut-Off	12 Hours
<b>Cooktop Features</b>	
Right Front Element (Watts)	SpaceWise® Expandable 6"/9" - 1,200 /2,500
Right Rear Element (Watts)	6" - 1,200
Left Front Element (Watts)	SpaceWise® Expandable 6"/9" - 1,200 /2,500
Left Rear Element (Watts)	6" - 1,200
Center Element (Watts)	
Hot Surface Indicator Light	Yes
Coil Cooktop/Drip Bowls	
<b>Oven Features</b>	
Capacity (Cu. Ft.)	5.4
Oven Light	1
Hidden Bake Element	Yes
Rack Configuration	2 Standard
Baking System	Even Baking Technology
Broiling System	Vari-Broil™ High/Low
Bake Element/Broil Element (Watts)	3,500/3,600
<b>Certifications</b>	
A.D.A. Compliant <sup>1</sup>	
Sabbath Mode (Star-K® Certified)	
<b>Specifications</b>	
Oven Interior (H x W x D)	19-3/4" x 24-3/8" x 19-1/8"
Power Supply Connection Location	Middle Bottom Rear
Voltage Rating	240V/208V/60Hz
Connected Load (kW Rating) @ 240/208 Volts	12.5/9.5
Minimum Circuit Required (Amps)	40
Shipping Weight (Approx.)	175 Lbs.



*NOTE: For planning purposes only. Always consult local and national electric codes. Refer to Product Installation Guide for detailed installation instructions on the web at [frigidaire.com](http://frigidaire.com).*



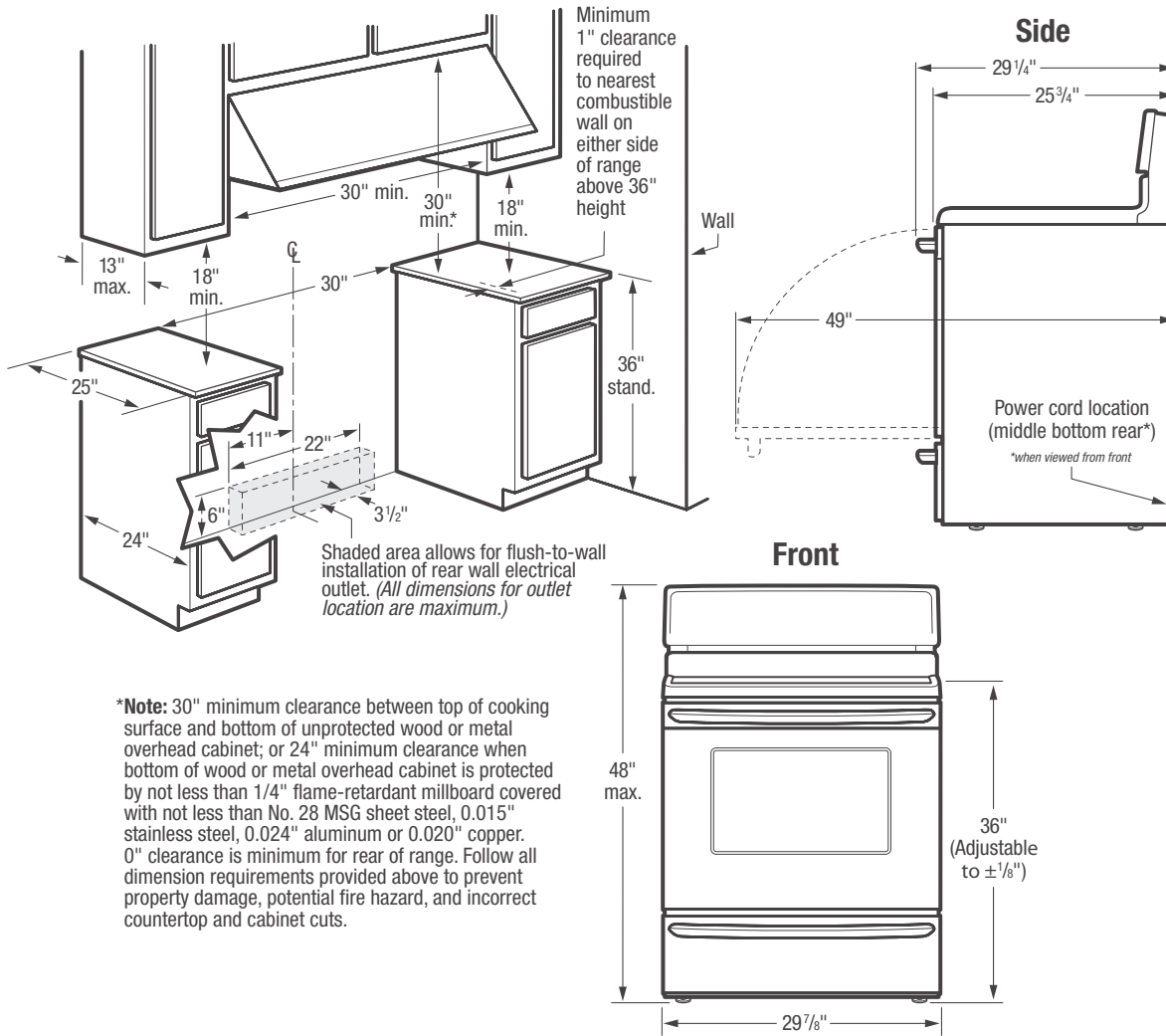
Product Dimensions	
A - Height (max.)	48"
B - Width	29-7/8"
C - Depth (Including Handle)	29-1/4"
Depth with Door Open 90°	49"

Cutout Dimensions	
Height (standard)	36"
Width (min.)	30"
Depth (min.)	24"

*Accessories information available on the web at [frigidaire.com](http://frigidaire.com)*

**FRIGIDAIRE**

USA • 10200 David Taylor Drive • Charlotte, NC 28262 • 1-800-FRIGIDAIRE • [frigidaire.com](http://frigidaire.com)  
 CANADA • 5855 Terry Fox Way • Mississauga, ON L5V 3E4 • 1-800-265-8352 • [frigidaire.ca](http://frigidaire.ca)



**\*Note:** 30" minimum clearance between top of cooking surface and bottom of unprotected wood or metal overhead cabinet; or 24" minimum clearance when bottom of wood or metal overhead cabinet is protected by not less than 1/4" flame-retardant millboard covered with not less than No. 28 MSG sheet steel, 0.015" stainless steel, 0.024" aluminum or 0.020" copper. 0" clearance is minimum for rear of range. Follow all dimension requirements provided above to prevent property damage, potential fire hazard, and incorrect countertop and cabinet cuts.

**Freestanding Range Specifications**

- Product Shipping Weight (approx.) - 175 Lbs.
- Single phase 3- or 4-wire cable, 120/240 or 120/208 Volt, 60 Hertz, fused on both sides of line with ground.
- Connected Load (kW Rating) @ 240/208 Volts = 12.5/9.5kW
- Recommended Circuit Breaker - 40 Amps
- Always consult local and national electric codes.
- Make sure wall coverings around range can withstand heat generated by range.
- Floor beneath range MUST be solid and level.
- Overhead cabinetry should not exceed a 13" maximum depth.
- Absolute minimum horizontal distance between overhead cabinets installed to either side of appliance must be no less than maximum width of appliance.
- Range can be installed flush to wall with 0" minimum rear clearance.
- Minimum 1" clearance required from edge of rangetop to nearest combustible wall on either side of range above 36" height.

- Allow 30" minimum clearance between top of cooking surface and bottom of unprotected wood or metal overhead cabinet; or 24" minimum clearance when bottom of wood or metal overhead cabinet is protected by not less than 1/4" flame retardant millboard covered with not less than No. 28 MSG sheet steel, 0.015" stainless steel, 0.024" aluminum or 0.020" copper.
- To reduce risk of fire when using overhead cabinetry, install range hood that projects horizontally a recommended minimum of 5" beyond bottom of cabinets.
- Follow all dimension requirements provided to prevent property damage, potential fire hazard, and incorrect countertop and cabinet cuts.

**Note:** For planning purposes only. Refer to Product Installation Guide on the web at [frigidaire.com](http://frigidaire.com) for detailed instructions.

