



STANDARD FEATURES



BUILT-IN GRILLS

- Available in 30", 36", and 42" widths
- Horizon™ hood with spring-assisted hinges to hold at desired heights*
- Motion activated Stadium™ halogen under-hood lighting*
- Multi-purpose built-in ceramic infrared rotisserie / searing / finishing burner* from 12,000 to 18,000 Btu/hour (depending on model) with simple touch on function
- High performance 321SS Trellis™ tubular burner at 25,000 Btu/hour each*
- 5/16" thick DiamondCut™ lasered in-house stainless steel grate*

Laser Cut Stainless Steel Grate - 5/16" thick



Under-Hood Lighting



Multi-Purpose Ceramic Infrared Rotisserie



- High performance variable ceramic infrared sear burner at 25,000 Btu/hour each
- Symmetrical flip to clean radiant tray with monogrammed ceramic briquettes*
- 525 square inch total grilling surface for 30" model. 653 square inch total grilling surface for 36" model. 782 square inch total grilling surface for 42" model.
- Warming rack - 189 square inches for the 30", 236 square inches for the 36" and 282 square inches for the 42" unit.
- Concealed chain driven whisper quiet rotisserie motor system with a single speed, 6 rpm, 50 in-lbs motor
- Marquise™ accented control panel and hood handle with commercial grade end caps
- 5/16" thick DiamondCut™ lasered in-house stainless steel warming rack with 3 vertical positions. Concealed storage when not in use.
- Hot surface ignition system with lighting assist function
- Lifetime warranty on welded body, DiamondCut™ grates and warming racks, Trellis™ burners, variable sear burners, and rotisserie burner
- Infinite position monogrammed removable smoker and handle for wood chips or smoker pellets
- Heavy gauge welded body construction
- LED front control panel lighting with simple touch on function
- Monogrammed temperature gauge with cooking zone markings
- Stainless steel removable drip tray for ease of cleaning
- Zamak die-cast knobs, burner indicators and bezels
- Porcelain broiling pan with stainless steel rotisserie spit and forks

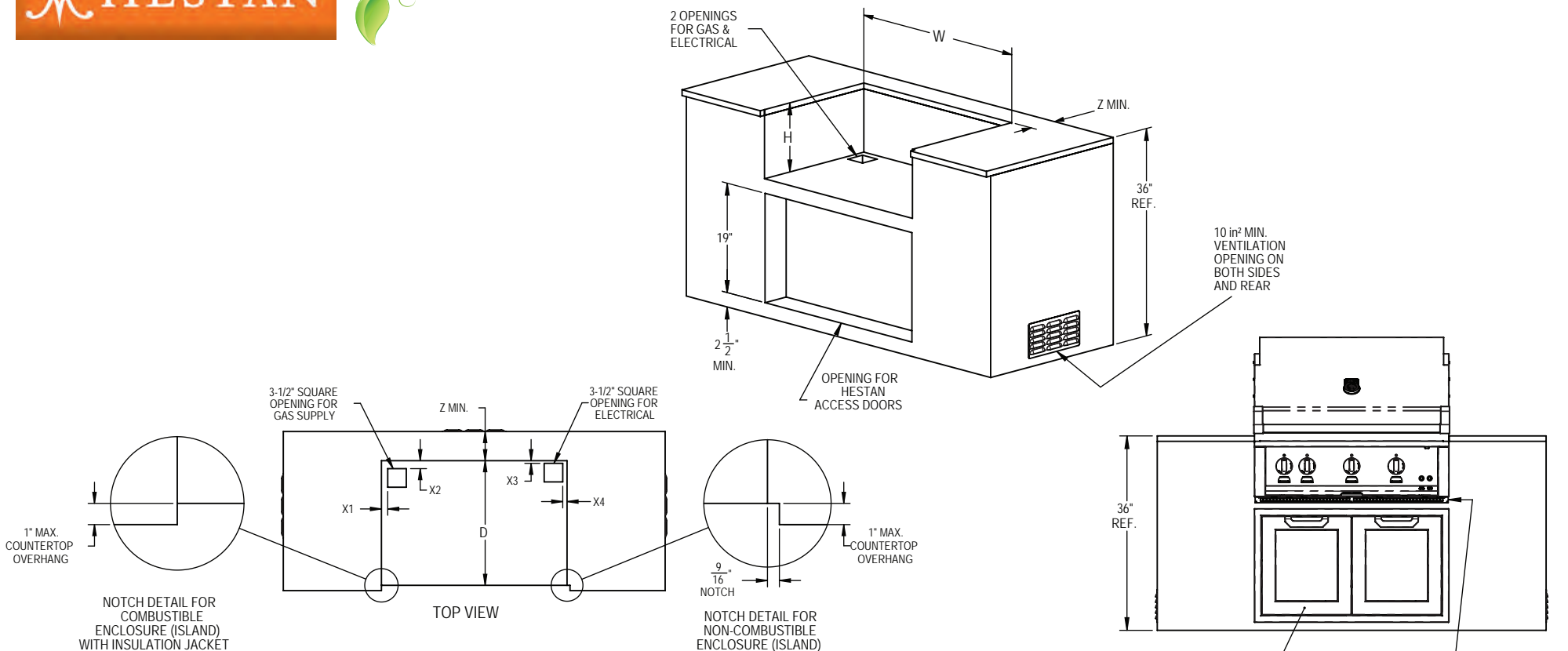


36" Model Shown

OPTIONS & ACCESSORIES

- Natural Gas (NG) or Liquid Propane (LP)
- Twelve (12) Hestan signature color finishes
- High altitude kit
- Gas conversion kits (NG/LP)
- Carbon Fiber Vinyl Cover

* = patent pending


INSULATED JACKETES

Model Number	Description	W (in.)	D (in.)	H (in.)	X1 (in.)	X2 (in.)	X3 (in.)	X4 (in.)	Z (in.)
AGIJ30	Insulated Jacket, 30"	35	25 - ¹ / ₈	12 - ¹³ / ₁₆	4 - ³ / ₁₆	3 - ¹ / ₈	1 - ¹ / ₂	3 - ¹³ / ₁₆	3 - ⁷ / ₈
AGIJ36	Insulated Jacket, 36"	41	25 - ¹ / ₈	12 - ¹³ / ₁₆	4 - ³ / ₁₆	3 - ¹ / ₈	1 - ¹ / ₂	3 - ¹³ / ₁₆	3 - ⁷ / ₈
AGIJ42	Insulated Jacket, 42"	47	25 - ¹ / ₈	12 - ¹³ / ₁₆	4 - ³ / ₁₆	3 - ¹ / ₈	1 - ¹ / ₂	3 - ¹³ / ₁₆	3 - ⁷ / ₈

GAS REQUIREMENTS : 1/2" NPT gas connection. Minimum gas supply is 7" water column for natural gas and 11" for propane. Operating pressure at the manifold is 4" water column for natural gas and 10" for propane. All units require a regulated gas supply.

ELECTRICAL REQUIREMENTS : 120V, 60Hz, 6 amps



Hestan Outdoor products are approved for outdoor use only. Hestan Commercial Corporation reserves the right to change materials and specifications without notice. Specify type of gas when ordering.

Built - In Models	Description	Cutout Dimensions								Total Btu's
		W (in.)	D (in.)	H (in.)	X1 (in.)	X2 (in.)	X3 (in.)	X4 (in.)	Z (in.)	
G_BR30-NG / -LP	30" Grill Built-in	29	23 - ¹ / ₂	12	1 - ³ / ₁₆	1 - ¹ / ₂	1/4	13/16	5 - ¹ / ₂	62000
G_BR36-NG / -LP	36" Grill Built-in	35	23 - ¹ / ₂	12	1 - ³ / ₁₆	1 - ¹ / ₂	1/4	13/16	5 - ¹ / ₂	89000
G_BR42-NG / -LP	42" Grill Built-in	41	23 - ¹ / ₂	12	1 - ³ / ₁₆	1 - ¹ / ₂	1/4	13/16	5 - ¹ / ₂	118000

_ = specify burner configuration A= all Trellis Burners M= Sear and Trellis Burners S= all Sear Burners