

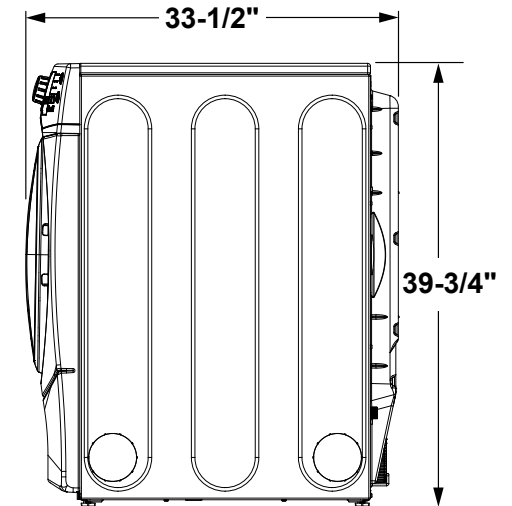
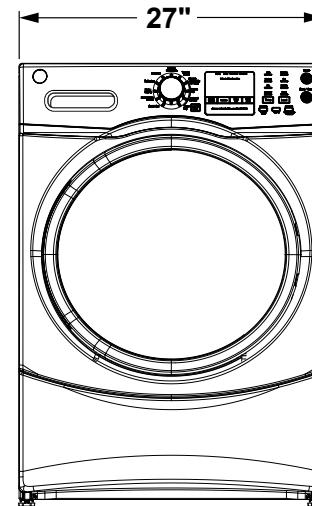
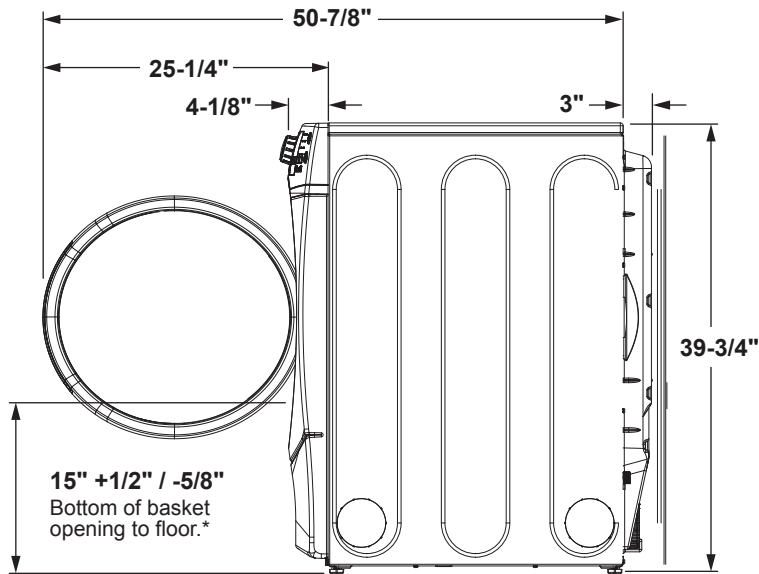
# GFW400SCK

GE Appliances ENERGY STAR® 4.1 DOE Cu. Ft. Capacity  
Frontload Washer

## DIMENSIONS AND INSTALLATION INFORMATION (IN INCHES)

ELECTRIC RATING	
120V	12.0A, 60Hz

**INSTALLATION INFORMATION:** For complete information, see installation instructions packed with your washer.



\*With leveling leg adjust.

Above illustration intended for dimensional reference only. Refer to photograph for actual product appearance.



For answers to your Monogram, GE Café™ Series, GE Profile™ Series or GE Appliances product questions, visit our website at [geappliances.com](http://geappliances.com) or call GE Answer Center® Service, 800.626.2000.



Specification Created 4/16

# GEFW400SCK

## GE Appliances ENERGY STAR® 4.1 DOE Cu. Ft. Capacity Frontload Washer

### SPECIAL INSTALLATION REQUIREMENTS

#### STACKED INSTALLATION:

-Brackets for stacking dryer over washer are not included with the washer.  
Order part no. GEFLSTACK or part no. WE25X10018.

#### ALCOVE OR CLOSET INSTALLATION:

-If your dryer is approved for installation in an alcove or closet, it will be stated on a label on the dryer back.

-The dryer MUST be exhausted to the outside.

-Minimum clearances between dryer cabinet and adjacent walls or other surfaces are: 0" either side, 3" front and rear

-Minimum vertical space from floor to overhead cabinets, ceilings, etc. is 52".

-Closet doors must be louvered or otherwise ventilated and must contain a minimum of 60 sq. in. of open area equally distributed. If this closet contains both a washer and a dryer, doors must contain a minimum of 120 sq. in. of open area equally distributed.

-No other fuel-burning appliance shall be installed in the same closet with a gas dryer.

#### BATHROOM OR BEDROOM INSTALLATION:

-The dryer MUST be exhausted to the outdoors.

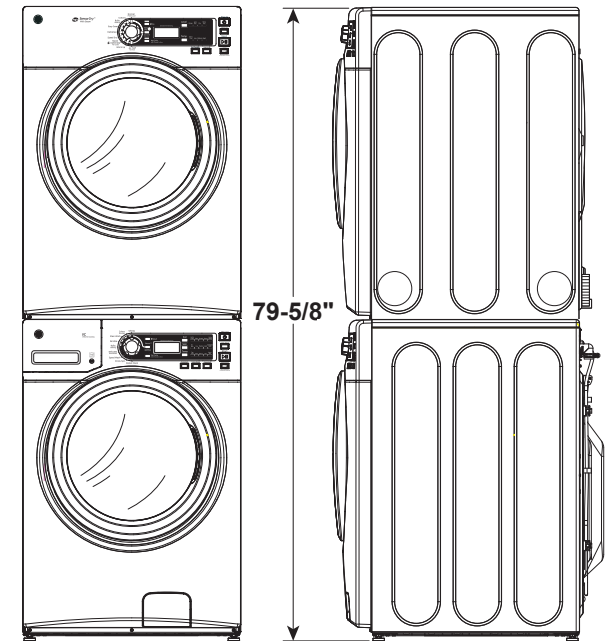
-The installation must conform with the local codes, or in the absence of local codes, with the National Electric Code and National Fuel Gas Code, ANSI Z223.

#### MINIMUM CLEARANCE OTHER THAN ALCOVE OR CLOSET INSTALLATIONS:

-Minimum clearances to combustible surfaces 0" both sides, 3" rear.

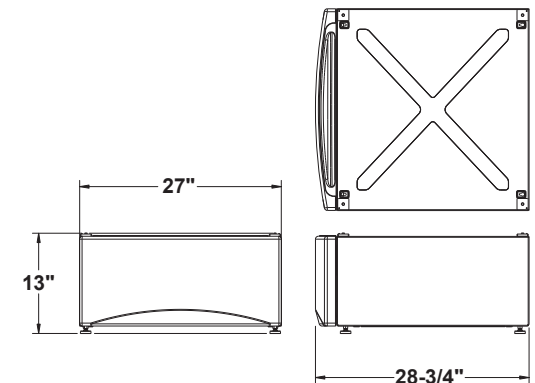
#### FOR MORE INFORMATION ON VENTING KITS AND ACCESSORIES, PLEASE CALL 1-800-GE-CARES.

### STACKED DIMENSIONS (IN INCHES)



### PEDESTAL DIMENSIONS (IN INCHES) SBSD137HWW - WHITE

This optional 13" pedestal raises the door opening and height of the washer or dryer. Feet on 13" pedestal allow it to adjust to 13-3/8" height.



Above illustrations intended for dimensional reference only.  
Refer to photography for actual product appearance.



For answers to your Monogram, GE Cafe™ Series, GE Profile™ Series or  
GE Appliances product questions, visit our website at [geappliances.com](http://geappliances.com)  
or call GE Answer Center® Service, 800.626.2000.



Specification Created 4/16

# GEF400SCK

## GE Appliances ENERGY STAR® 4.1 DOE Cu. Ft. Capacity Frontload Washer

### FEATURES AND BENEFITS

Quick Wash - Provides a quick wash for lightly soiled items that are needed in a hurry

1100-RPM spin speed - Fast spin speeds remove water efficiently and minimize dry time

ENERGY STAR® qualified - Meets or exceeds federal guidelines for energy efficiency for year-round energy and money savings

Adaptive Vibration Control - Considers floor type and location of washer in the home to adapt and optimize spin patterns, reducing vibration and sound

9 wash cycles - Multiple cycles are designed to specifically handle various fabrics and soils

Sanitize with Oxi - Remove 99.9% of bacteria with a dedicated cycle that uses an Oxi additive to boost your detergent's cleaning power, while keeping fabrics looking and feeling their best

End-of-cycle signal - Alerts you when the load is done, so clothes can be removed before wrinkles set in

Model GFW400SCKWW - White

