

GFWS1700H/1705H

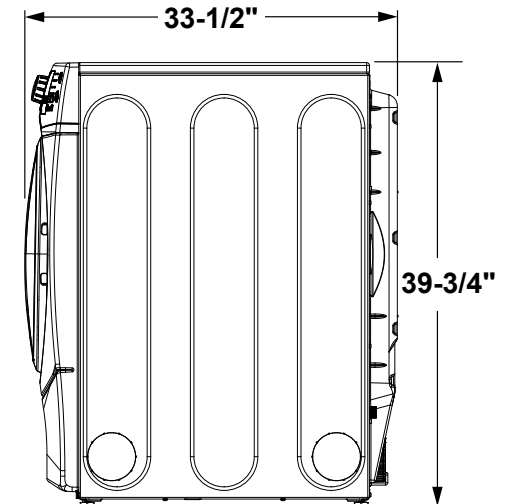
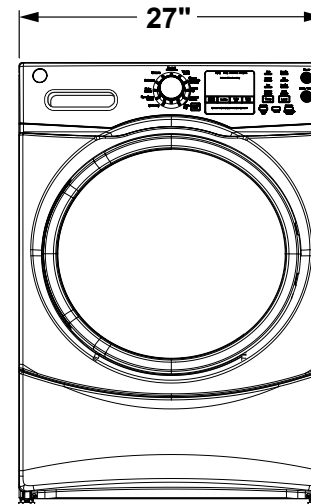
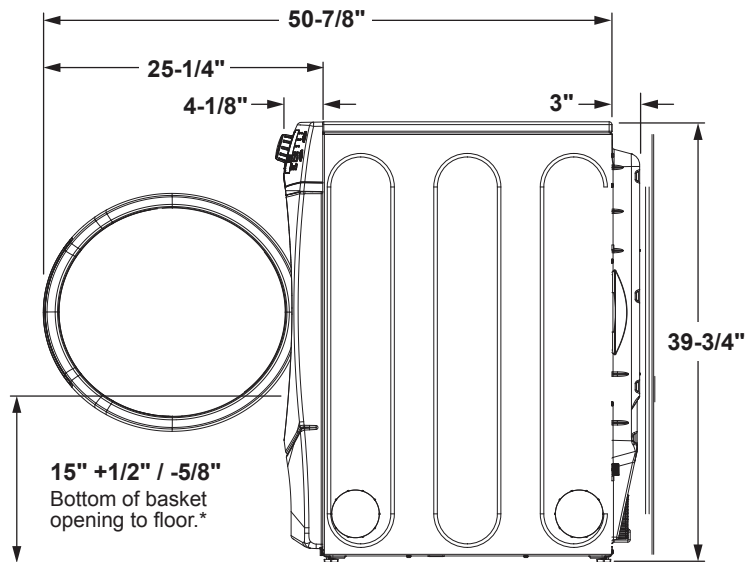
GE Appliances ENERGY STAR® 4.3 DOE Cu. Ft. Stainless Steel Capacity Front Load Washer With Steam

DIMENSIONS AND INSTALLATION INFORMATION (IN INCHES)

ELECTRIC RATING

120V	12.0A, 60Hz
------	-------------

INSTALLATION INFORMATION: For complete information, see installation instructions packed with your washer.



For answers to your Monogram, GE Café™ Series, GE Profile™ Series or GE Appliances product questions, visit our website at geappliances.com or call GE Answer Center® Service, 800.626.2000.



Specification Revised 2/16

GFWS1700H/1705H

GE Appliances ENERGY STAR® 4.3 DOE Cu. Ft. Stainless Steel Capacity Front Load Washer With Steam

SPECIAL INSTALLATION REQUIREMENTS:

STACKED INSTALLATION:

-Brackets for stacking dryer over washer are not included with the washer.
Order part no. GEFLSTACK or part no. WE25X10018.

ALCOVE OR CLOSET INSTALLATION:

-If your dryer is approved for installation in an alcove or closet, it will be stated on a label on the dryer back.

-The dryer **MUST** be exhausted to the outside.

-Minimum clearances between dryer cabinet and adjacent walls or other surfaces are: 0" either side, 3" front and rear

-Minimum vertical space from floor to overhead cabinets, ceilings, etc. is 52".

-Closet doors must be louvered or otherwise ventilated and must contain a minimum of 60 sq. in. of open area equally distributed. If this closet contains both a washer and a dryer, doors must contain a minimum of 120 sq. in. of open area equally distributed.

-No other fuel-burning appliance shall be installed in the same closet with a gas dryer.

BATHROOM OR BEDROOM INSTALLATION:

-The dryer **MUST** be exhausted to the outdoors.

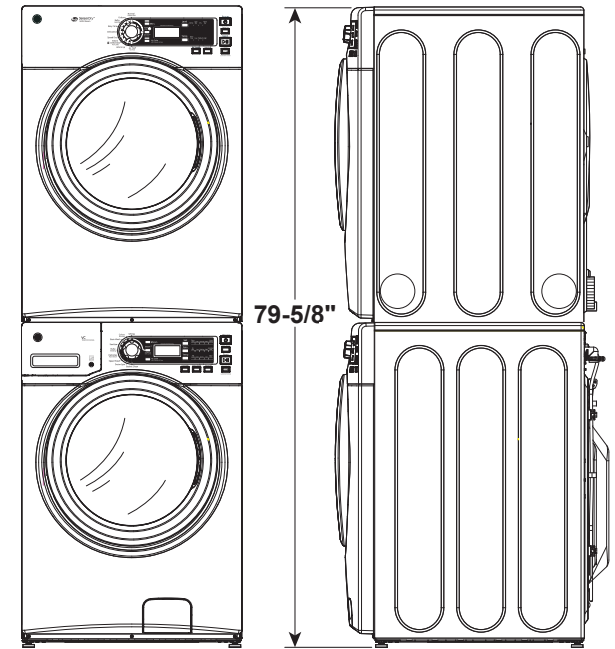
-The installation must conform with the local codes, or in the absence of local codes, with the National Electric Code and National Fuel Gas Code, ANSI Z223.

MINIMUM CLEARANCE OTHER THAN ALCOVE OR CLOSET INSTALLATIONS:

-Minimum clearances to combustible surfaces 0" both sides, 3" rear.

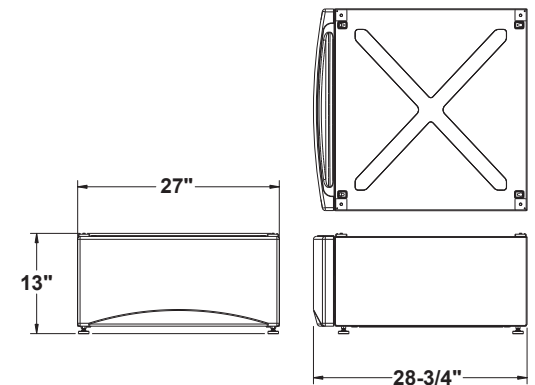
FOR MORE INFORMATION ON VENTING KITS AND ACCESSORIES, PLEASE CALL 1-800-GE-CARES.

STACKED DIMENSIONS (IN INCHES)



PEDESTAL DIMENSIONS (IN INCHES) SBSD137HWW - WHITE

This optional 13" pedestal raises the door opening and height of the washer or dryer. Feet on 13" pedestal allow it to adjust to 13-3/8" height.



For answers to your Monogram, GE Café™ Series, GE Profile™ Series or
GE Appliances product questions, visit our website at geappliances.com
or call GE Answer Center® Service, 800.626.2000.

GFWS1700H/1705H

GE Appliances ENERGY STAR® 4.3 DOE Cu. Ft. Stainless Steel Capacity Front Load Washer With Steam

FEATURES AND BENEFITS

Time saver - An option that will reduce overall wash time on most cycles by at least 20% without sacrificing wash performance

Extended tumble - Freshly tumbles your garments periodically for up to 8 hours when unable to move clothing to the dryer right away

Steam Assist - Penetrates deep into fabric fibers, loosening stains like tomato and grass, yet protects your fabric

Stain Removal Guide - Clean 5 of the most common stains with preprogrammed settings that modify any cycle to help remove blood, tomato, wine, dirt and grass

1300-RPM spin speed - Fast spin speeds remove water efficiently and minimize dry time

Internal water heater - Increases wash temperature to reduce bacteria and provide better cleaning for the really tough stains

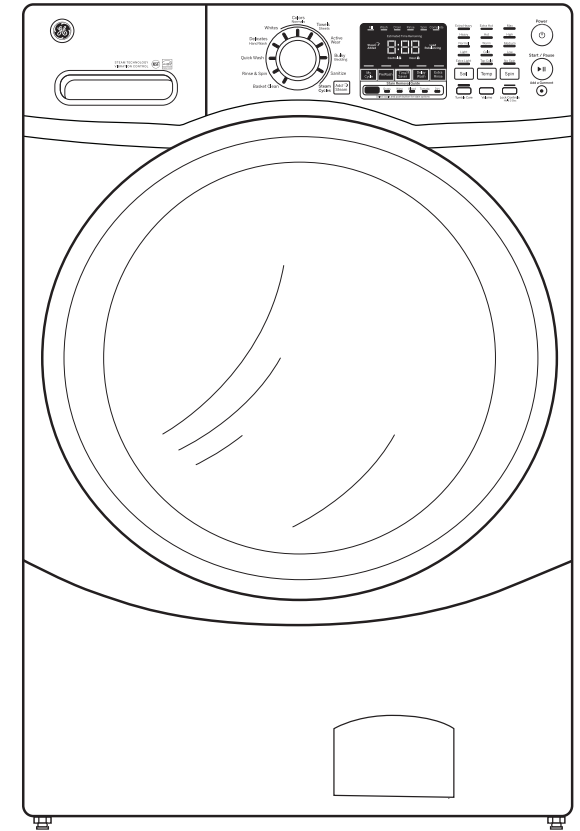
Bulky Bedding cycle - Washes larger items, such as comforters, blankets and jackets

My Cycle - Create your favorite cycles for your specific clothes-care needs

Vibration Control - Adjusts spin patterns for each floor type for a smoother wash without walking or shaking

Model GFWS1700HWW - White

Model GFWS1705HDG - Diamond Gray



MODIFIED ENERGY FACTOR (IMEF)	2.65
IWATER FACTOR (IWF)	2.6

