

Speed Queen® Multi-Housing

Micro Display Commercial Single Load Dryer

Rear Control



BUILT FOR RELIABLE PERFORMANCE

- Industry's largest door opening 2.06 sq. ft. (1914 cm²)
- Quiet, efficient blower system
- Door is reversible for installation flexibility
- End-of-cycle signal
- High efficiency exhaust blower with superior airflow 220 cfm (105 liters/sec)
- 100% serviceable from the front
- Space-saving narrow cabinet 26-7/8" (683 mm)
- Upfront lint filter easy to clean and secured
- Durable galvanized steel cylinder

MICRO DISPLAY CONTROL

- Easy-to-read digital display
- Touch pad selection combines temperature and cycle
- Manually program and audit
- Card and coin transactions

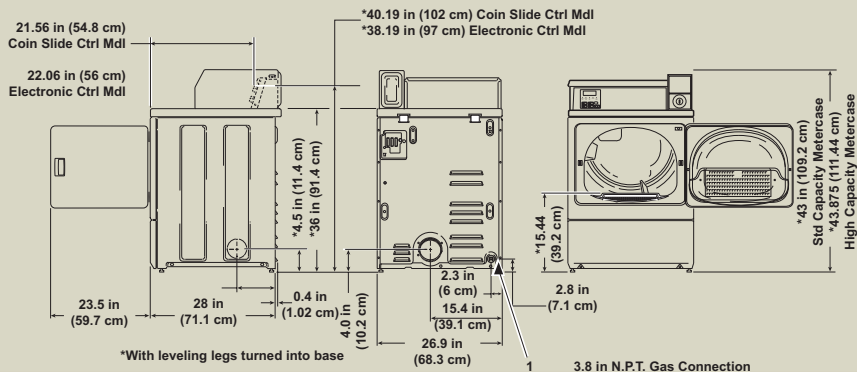


MICRO DISPLAY COMMERCIAL SINGLE LOAD DRYER SPECIFICATIONS

MODELS AND ACTIVATION (NOTE: COIN BOX SOLD SEPARATELY)	SDET07WF SDET07WF1500 SDGT09WF	SDEBCRGS171TW02 SDGBCRGS111TW02	SDEY07WF SDEY07WF1500 SDGY09WF	SDEX07WF SDEX07WF1500 SDGX09WF	SDEBXRGS171TW02 SDGBXRGS111TW02
Available Control Location	Rear	Rear	Rear	Rear	Rear
Activation Type	Coin Installed	Coin Installed	Prep for Card	Prep for Coin	Prep for Coin
Meter Case	Standard	High Capacity	-	Standard	High Capacity
Capacity - lb (kg)	18 (8.2)	18 (8.2)	18 (8.2)	18 (8.2)	18 (8.2)
Cylinder Volume - cu. Ft. (liters)	7.0 (198)	7.0 (198)	7.0 (198)	7.0 (198)	7.0 (198)
Width - in (mm)	26 7/8 (683)	26 7/8 (683)	26 7/8 (683)	26 7/8 (683)	26 7/8 (683)
Depth - in (mm)	28 (711)	28 (711)	28 (711)	28 (711)	28 (711)
Height - in (mm)	43 (1092)	43 7/8 (1114)	43 (1092)	43 (1092)	43 7/8 (1114)
Motor Size (Variable Speed Induction) - HP (kw)	1/3 (0.25)	1/3 (0.25)	1/3 (0.25)	1/3 (0.25)	1/3 (0.25)
Available Heat Sources	Electric or Gas	Electric or Gas	Electric or Gas	Electric or Gas	Electric or Gas
Available Heating Element - (Electric)	5350W, 240V 4750W, 208V	5350W, 240V	5350W, 240V 4750W, 208V	5350W, 240V 4750W, 208V	5350W, 240V
Gas Inlet Connection - in (mm)	3/8 (9.5)	3/8 (9.5)	3/8 (9.5)	3/8 (9.5)	3/8 (9.5)
Gas Consumption - BTU/Hr	25,000	25,000	25,000	25,000	25,000
Exhaust Outlet Dia. - in (mm)	4 (102)	4 (102)	4 (102)	4 (102)	4 (102)
Exhaust Airflow - cfm (liters/sec)	220 (105)	220 (105)	220 (105)	220 (105)	220 (105)
Available Cycles	High, Medium, Low, Delicates	High, Medium, Low, Delicates	High, Medium, Low, Delicates	High, Medium, Low, Delicates	High, Medium, Low, Delicates
Cylinder Finish	Galvanized	Galvanized	Galvanized	Galvanized	Galvanized
Available Colors	White	White	White	White	White
Available Electrical Requirements (v/Hz/Ph-Amp)	Elec 240/60/1 30 amp* Elec 208/60/1 30 amp Gas 120/60/1 15 amp	Elec 240/60/1 30 amp* Gas 120/60/1 15 amp	Elec 240/60/1 30 amp* Elec 208/60/1 30 amp Gas 120/60/1 15 amp	Elec 240/60/1 30 amp* Elec 208/60/1 30 amp Gas 120/60/1 15 amp	Elec 240/60/1 30 amp* Gas 120/60/1 15 amp
Net Weight - lb (kg)	Elec 135 (61) Gas 140 (64)	Elec 135 (61) Gas 140 (64)	Elec 135 (61) Gas 140 (64)	Elec 135 (61) Gas 140 (64)	Elec 135 (61) Gas 140 (64)
Shipping Weight - lb (kg)	Elec 145 (66) Gas 150 (68)	Elec 145 (66) Gas 150 (68)	Elec 145 (66) Gas 150 (68)	Elec 145 (66) Gas 150 (68)	Elec 145 (66) Gas 150 (68)
Shipping Width - in (mm)	29 (737)	29 (737)	29 (737)	29 (737)	29 (737)
Shipping Depth - in (mm)	32 3/4 (832)	32 3/4 (832)	32 3/4 (832)	32 3/4 (832)	32 3/4 (832)
Shipping Height - in (mm)	45 1/2 (1156)	45 1/2 (1156)	45 1/2 (1156)	45 1/2 (1156)	45 1/2 (1156)
Available Agency Approvals	Elec cULus Gas cCSAus	Elec cULus Gas cCSAus	Elec cULus Gas cCSAus	Elec cULus Gas cCSAus	Elec cULus Gas cCSAus

* Electric dryers come equipped for 240/60/1 operation. They can be field converted to operate on 208/60/1 with optional 61928 conversion kit. Gas dryers can be field converted for operation on LP gas with optional 458P3 conversion kit.

For the most accurate information, the installation guide should be used for all design and construction purposes. Due to continuous product improvements, design and specifications are subject to change without notice. The quality management system of Alliance Laundry Systems' Ripon facility has been registered to ISO 9001:2008. Printed in the USA.



Call us: 800-345-5649

Visit website: speedqueen.com/route

© 2016 Alliance Laundry Systems LLC | AM16-0327