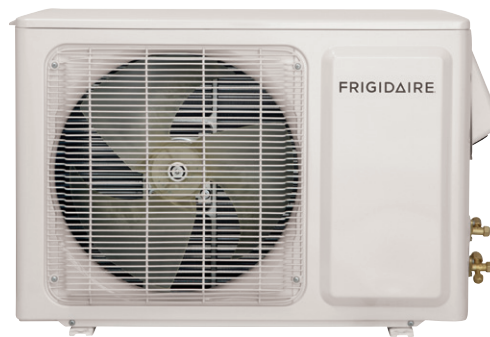
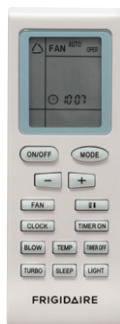


Home Comfort FFHP182SQ2

Ductless Mini-Split Air Conditioner/Heat Pump



FFHP182WQ2¹ Indoor



FFHP182CQ2¹ Outdoor

Product Dimensions Evaporator (Indoor) Model

Height	11-3/4"
Width	37"
Depth	7-7/8"

Product Dimensions Condenser (Outdoor) Model

Height	27-9/16"
Width	37-5/8"
Depth	15-5/8"

More Easy-To-Use Features

Multi-Speed Fan

Features three different fan speeds, for more cooling flexibility.

Effortless™ Restart

Automatically resumes operating at its previous settings when power is restored to your unit.

Effortless™ Clean Filter

Our antibacterial filter reduces bacteria, room odors and other airborne particles for a healthier, more comfortable environment.

Ready-Select® Controls

Easily select options with the touch of a button.

Electronic Controls

Allow you to set the comfort level to your preference, while a convenient temperature readout displays the set temperature.

Signature Features

Quick Cool & Quick Warm

When you need to cool down quickly or warm up faster, use the quick cool/warm mode to speed up the fan.

Programmable 24-Hour On/Off Timer

Customize times to fit your schedule for immediate comfort when you get home. The built-in timer allows you to preset the unit to turn on and off in half-hour increments.

Effortless™ Temperature Control

Our air conditioners maintain the preset room temperature, so you will remain comfortable at all times.

Sleep Mode

Maximum comfort throughout the evening hours with the added benefit of energy savings. With Sleep Mode, the temperature gradually increases a few degrees over the evening.

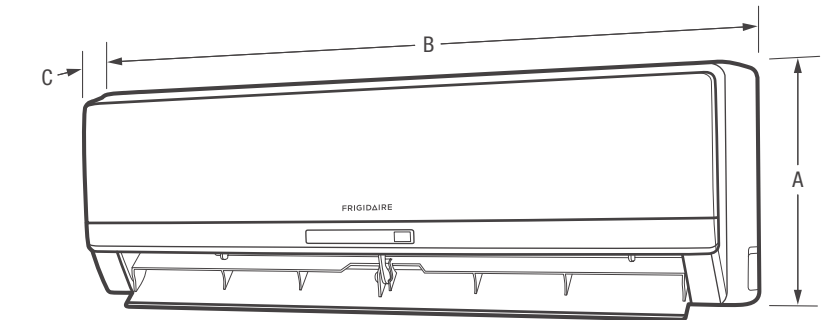
Performance	BTUs
Cool	18,000
Heat	19,800

¹Photo may not represent actual model.

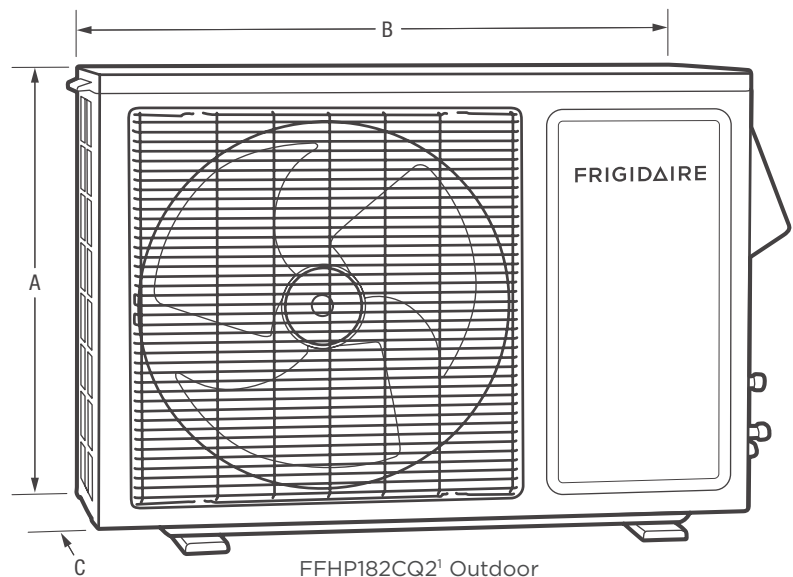
Model Numbers	
Set Model Number	FFHP182SQ2
Indoor Unit Part Number	FFHP182WQ2
Outdoor Unit Part Number ¹	FFHP182CQ2
Performance	
BTU (Cool)	18,000
BTU (Heat Pump)	19,800
Cooling Area (Sq. Ft.)	1,000
SEER (Air Conditioner)	18.0
HSPF (Heat Pump)	10.0
Inverter Technology	Yes
COP	3.52
Electrical	
Volts	230V/208V
Min Circuit Ampacity	13 A
Maximum Circuit Breaker	20 A
Rated Amps (Cool)	6.7
Rated Watts (Cool)	1,500
Rated Amps (Heat)	7.4
Rated Watts (Heat)	1,650
Features	
Controls	Ready-Select® Controls
Fan Speeds (Cool/Fan/Heat)	4/3/4
Low Voltage Start-Up	Yes
Turbo Fan	Yes
Auto Fan	Yes
Energy Saver	
Sleep Mode	Yes
24-Hour On/Off Timer	Yes
Remote Control	Full-Function
Air CFM (High/Med/Low) Indoor	(500/459/383) 324
Air Direction Control (Vert./Horz.)	Swing/Manual
Air Discharge (Full-Width)	Bottom
Filter Type	Antimicrobial Mesh
Filter Access	Slide-Out
dB Indoor (Turbo)(High/Med/Low)	(49)(44/40/35)
dB Outdoor	56
Warranty ²	Yes
Included Accessories	
Drain Kit (Outdoor Unit)	Yes
Installation Plate (Indoor Unit)	Yes
Line Set Kit (Indoor Unit)	Yes
Remote Holder (Indoor Unit)	Yes

¹Includes 25 ft. line set

²5 year parts only



FFHP182WQ2¹ Indoor



FFHP182CQ2¹ Outdoor

NOTE: For planning purposes only. Always consult local and national electric codes. Refer to Product Installation Guide for detailed installation instructions on the web at frigidaire.com.



Product Dimensions	
Indoor -	
A - Height	11-3/4"
B - Width	37"
C - Depth	7-7/8"
Outdoor -	
A - Height	27-9/16"
B - Width	37-5/8"
C - Depth	15-5/8"

¹Illustration may not represent actual model.

All refrigeration and electrical work must be performed by a certified and licensed refrigeration technician for parts warranty validation. Insulated line sets and control wires are required and available for Frigidaire split systems in 25 ft. length. Each line set is equipped with flare nuts on both ends. Each system requires one line set for each indoor unit installed.

Accessories information available on the web at frigidaire.com

Ductless Mini-Split System Air Conditioner/Heat Pump Submittal Sheet

FRIGIDAIRE

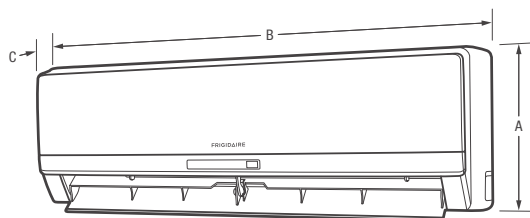
FFHP182SQ2

Job: _____ Reference: _____ Construction: _____
 Location: _____ Approval: _____ Unit Number: _____
 Engineer: _____ Date: _____ Drawing Number: _____
 Submitted to: _____ Submitted by: _____

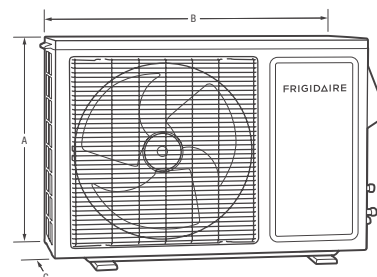
Power	
Min Circuit Ampacity	13 A
Maximum Circuit Breaker	20 A
Capacities	
Cooling	18,000 BTU
Cooling Watts	1,500 W
Min/Max Cooling	5,970 BTU/22,350 BTU
Heatpump Capacity (BTU)	19,800 BTU
HSPF	10.0
Outdoor Sound Rating	56 dB (A)
SEER	18.0
EER	12.0
Low Ambient Cooling	-5° - 110°F
Low Ambient Heating	5¢ 75
Voltage/Frequency/Phase	230/208/60Hz
Dehumidification	3.8 PT/H

Indoor Unit	FFHP182WQ2
Dimensions (H x W x D)	11-3/4" x 37" x 7-7/8"
Max. Wall Thickness	18"
Sound Rating	(49)/44/40/35
Net Weight	29 lb
Shipping Weight	38 lb
Fan Motor Load	.32 A
Number of Fan Speeds	4
Fan Type	Cross-flow
RPM at High Speed (cool)	1,500 RPM
Coil Type	aluminum fin & copper tube
Fin Type	coated fin
Pipe Type	copper internal thread
Fin Rows (FPI)	2
Tube Diameter	¢ 7mm (9/32")
Drain Connection Size	¢ 16mm (5/8")
Compressor	
Compressor Type	Twin Rotary
Compressory Control	DC Inverter
Compressor Load	9.7 A
Locked Rotor Amps	13.8 A

Outdoor Unit	FFHP182CQ2
Dimensions (H x W x D)	27-9/16" x 37-5/8" x 15-5/8"
Sound Rating	56 dB (A)
Net Weight	111 lb
Shipping Weight	122 lb
Fan Motor Load	.28 A
Drive Type	inverter
CFM (high)	3,200
Fan Type	axial flow
Fan Diameter/Number of Speeds	20-1/2"/1
Number of Poles and RPM	DC/750
Coil Type	aluminum fin & copper tube
Fin Type	coated fin
Pipe Type	copper internal thread
Fin Rows (FPI)	2
Tube Size	¢7 mm (5/16")
Features	
Controls	microprocessor
Remote Control	lcd wireless
Temperature Control	61-86°F (16-30°C)
Timer	24 hr
Air Louvers	2 pieces
Horizontal	manual
Vertical	swing
Low Voltage Restart	built-in
Self-Diagnosis	yes
Air Filter	washable, anti-mold
Refrigerant System	
Refrigerant	R410A
Ounces	49.39
Lineset	25 ft
Maximum Height	33 ft
Maximum Line Length	82 ft
Discharge Vapor Line (od)	6 mm (1/4")
Suction (od)	13 mm (1/2")
Operating Range	
Indoor Air Cooling Intake Temp Range	>= 61°F
Indoor Air Heating Intake Temp Range	<= 86°F
Outdoor Air Cooling Intake Temp Range	-5¢ 110°F
Outdoor Air Heating Intake Temp Range	-5¢ 75°F



FFHP182WQ2¹ Indoor



FFHP182CQ2¹ Outdoor

¹Illustration may not represent actual model.

FRIGIDAIRE

USA • 10200 David Taylor Drive • Charlotte, NC 28262 • 1-800-FRIGIDAIRE • frigidaire.com
 CANADA • 5855 Terry Fox Way • Mississauga, ON L5V 3E4 • 1-800-265-8352 • frigidaire.ca

FFHP182SQ2 02/16

© 2016 Electrolux Home Products, Inc.



Specifications
subject to change.