

FULGOR

MILANO

Use & Care Manual
Guide d'utilisation et d'entretien
Manual de uso y cuidado

F1SM24*1

Table of Contents

	Page		
Safety Precautions	4	Do-it-Yourself Maintenance Oven Door Removal	
Safety Instructions	5	19
<i>Safety for the Oven</i>	5	Replacing an Oven Light	20
Features of your Oven	6	<i>To Replace a Light Bulb</i>	20
The Control Panels	7	Solving Baking Problems	21
<i>Electronic programmer</i>	7	FULGOR WARRANTY for Home Appliances	23
General Oven Information	7		
Oven Modes	8		
General Oven Tips	9		
<i>Preheating the Oven</i>	9		
<i>Operational Suggestions</i>	9		
<i>Utensils</i>	9		
<i>Oven Condensation and Temperature</i>	9		
<i>High Altitude Baking</i>	9		
<i>120/240 vs. 120/208 Volt Connection</i>	9		
<i>Oven Racks</i>	9		
<i>Oven Extendable Racks (Optional)</i>	10		
Control Setting	11		
Bake Tips and Techniques	12		
<i>Bake Chart</i>	12		
Convection Bake Tips and Techniques	13		
<i>Convection Bake Chart</i>	14		
Convection Broil Tips and Techniques	15		
<i>Convection Broil Chart</i>	15		
Broil Tips and Techniques	16		
<i>Broil Chart</i>	16		
General Oven Care	17		
<i>How to Use the Oven Cleaning Chart</i>	17		
<i>Cleaning Chart</i>	17		
Oven Finishes / Cleaning Methods	18		



IMPORTANT

*General Appliance and Oven
Safety Precautions*

Please read all instructions before using this appliance.



WARNING

When properly cared for, your new **FULGOR** oven has been designed to be a safe, reliable appliance. **Read all instructions carefully before using this oven. These precautions will reduce the risk of burns, electric shock, fire, and injury to persons. When using kitchen appliances, basic safety precautions must be followed, including the following:**

This appliance must be properly installed and grounded by a qualified technician. Connect only to properly grounded outlet. See "Grounding Instructions" found in the Installation Instructions.

- This appliance should be serviced only by a qualified service technician. Contact the nearest authorized service center for examination, repair or adjustment.
- Do not repair or replace any part of the oven unless specifically recommended. Refer service to an authorized servicer.
- Do not operate this appliance if it is not working properly or if it has been damaged, until an authorized servicer has examined it.
- Install or locate this appliance only in accordance with the Installation Instructions.
- Use this oven only as intended by the manufacturer. If you have any questions, contact the manufacturer.
- Do not cover or block any openings on this appliance.
- Use this appliance only for its intended use as described in this manual. Do not use corrosive chemicals, vapors, or nonfood products in this appliance. This type of oven is specifically designed to heat or cook. It is not designed for industrial or laboratory use. The use of corrosive chemicals in heating or cleaning will damage the appliance.
- In the event that personal clothing or hair catches fire, DROP AND ROLL IMMEDIATELY to extinguish flames.

- Do not allow children to use this appliance unless closely supervised by an adult. Children and pets should not be left alone or unattended in the area where the appliance is in use. Never allow children to sit or stand on any part of the oven.



CAUTION

- Do not store items of interest to children above the oven. If children should climb onto the appliance to reach these items, they could be seriously injured.

To reduce the risk of fire in the oven cavity:

1. Do not store flammable materials in or near the oven.
2. Do not use water on a grease fire. Smother fire or use a dry chemical or foam-type extinguisher.
3. It is highly recommended that a fire extinguisher be readily available and highly visible next to any cooking appliance.
4. Do not overcook food. Carefully attend oven if paper, plastic or other combustible materials are placed inside the oven.
5. Do not use the cavity for storage purposes. Do not leave paper products, cooking utensils or food in the cavity when not being used.
6. If materials inside the oven should ignite, keep oven door closed. Turn oven off and disconnect the circuit at the circuit breaker box.
7. Do not block any vent openings.
8. Be sure the blower fan runs whenever the oven is in operation. If the fan does not operate, do not use the oven. Call an authorized service center.
9. Never use the oven to warm or heat a room. This can damage the oven parts.
10. For personal safety, wear proper clothing. Loose fitting or garments with hanging sleeves should never be worn while using this appliance.



IMPORTANT

*General Appliance and Oven
Safety Instructions*

Safety for the Oven

- Tie long hair so that it doesn't hang loose.
- Do not touch heating elements or interior surfaces of oven.
- The heating elements may be hot even though they are dark in color. Interior surfaces of an oven become hot enough to cause burns.
- During and after use, do not touch or let clothing or other flammable materials contact the heating elements or the interior surfaces of the oven until they have had sufficient time to cool.
Other surfaces of the appliance may become hot enough to cause burns - among these surfaces are (identification of surfaces - for example, oven vent openings and surfaces near these openings, oven doors, and windows of oven doors).
- The trim on the top and sides of the oven door may become hot enough to cause burns.
- Use care when opening the door. Open the door slightly to let hot air or steam escape before removing or replacing food.
- Do not heat unopened food containers.
Build-up of pressure may cause the container to burst and cause injury.
- Always place oven racks in desired location while oven is cool. If a rack must be moved while oven is hot, do not let pot holder contact the hot heating elements.
- Use only dry pot holders. Moist or damp pot holders on hot surfaces may result in burns from steam. Do not let pot holder touch hot heating elements. Do not use a towel or other bulky cloth.



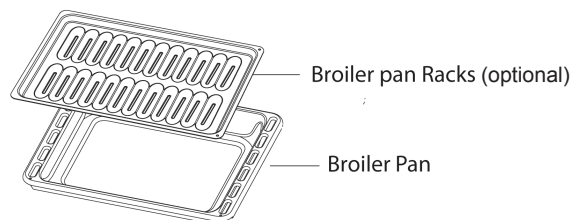
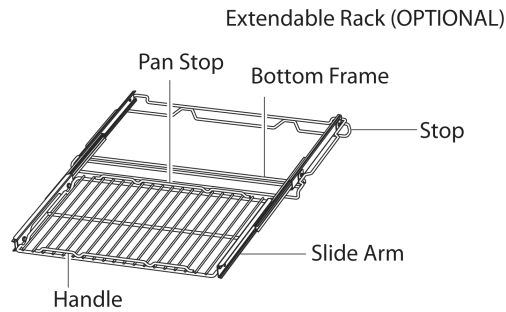
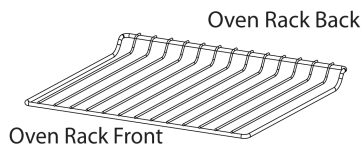
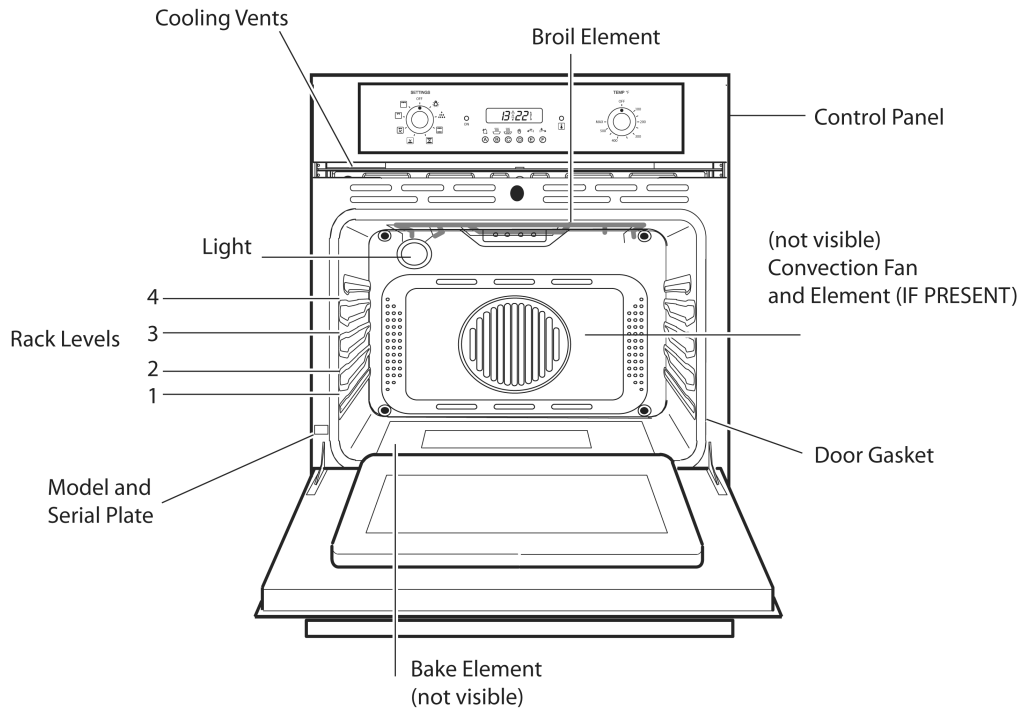
WARNING

The California Safe Drinking Water and Toxic Enforcement Act requires businesses to warn customers of potential exposure to substances which are known by the State of California to cause cancer or reproductive harm.

The Elimination of soil during self-cleaning generates some by-products which are on this list of substances.

To minimize exposure to these substances, always operate this oven according to the instructions in this manual and provide good ventilation to the room during and immediately after self-cleaning the oven.

Features of your Oven



The Control Panels

The user interface has the following features: display, preheat light indicators, keys for commands, cooking mode and temperature selectors.

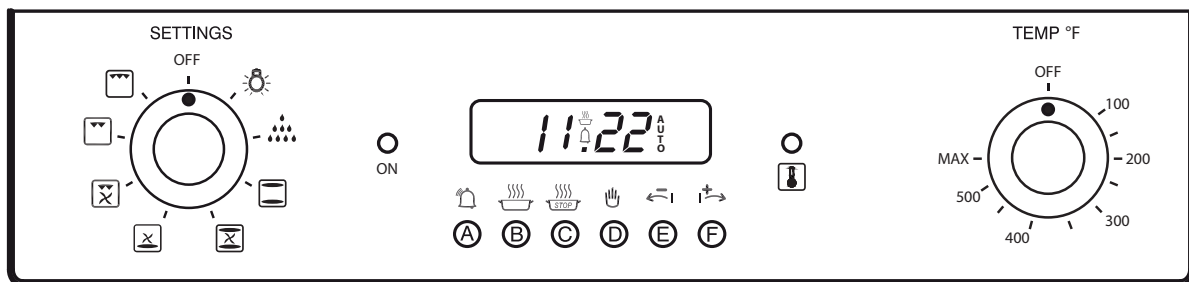
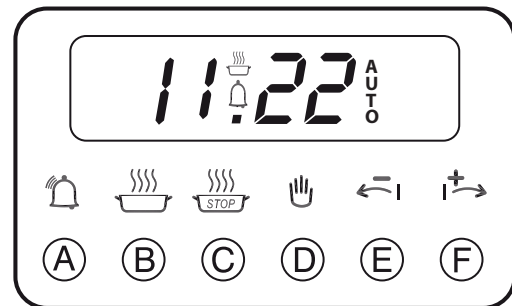
Electronic programmer

The programmer operates in the 12 hour mode.

- A** minute minder
- B** duration
- C** end time
- D** manual
- E** display time down
- F** display time up

NOTES

When using buttons E or F, the displayed time is adjusted slowly at first and then the speed is increased automatically.
All programmes are set approx 1 second after adjusting the settings.



General Oven Information

Before using your oven for the first time remove all packing and foreign materials from the oven(s). Any material of this sort left in the oven(s) may melt and/ or burn when the oven(s) is(are) used.

Convection Fan

The convection fan operates during any convection mode.

Component Cooling Fan

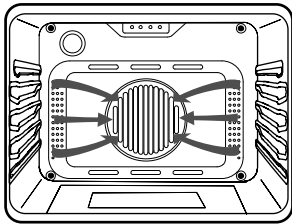
Activates during any cooking mode to cool inner components and outer door surfaces. This air is forced out through the vent located above the oven door. It continues to run until components have cooled sufficiently.

Warning lights

- **Yellow:** W/L lights up when the selector switch knob is out of position "0".
- **Red:** W/L lights up when the thermostat switches on the oven top and sole elements, the grill element or the round one (hot-air).

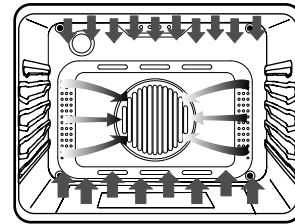
Oven Modes

The illustrated overview of each mode setting. The arrows represent the location of the heat source during specific modes. The lower element is concealed under the oven floor.



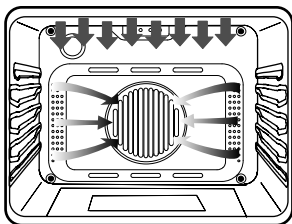
 **Convection Bake with ring heating element**

Convection Bake uses the heat from the third element behind the back wall of the oven. The heat is circulated throughout the oven by the convection fan.



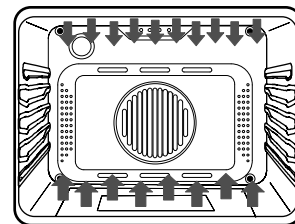
 **Convection Bake**

Convection Bake uses the top element, bottom element and convection fan



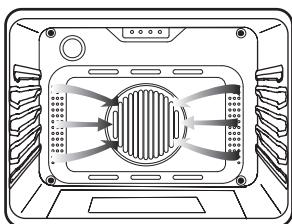
 **Convection Broil**

Convection Broil combines the intense heat from the upper element with the heat circulated by the convection fan.



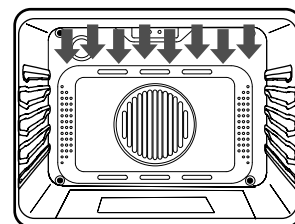
 **Bake**

Is cooking with heated air. Both the upper and lower element cycle to maintain the oven temperature.



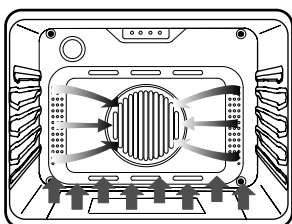
 **Thaw**


No heating element used, only the convection fan is used to defrost foods.

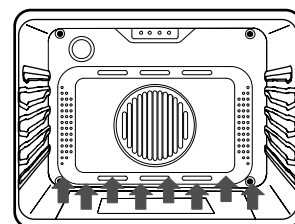



  **Broil and Maxi Broil**

Broiling uses intense heat radiated from the upper element.



 **Down Convection Bake**
Bottom convection cooking; **the bottom element and the fan are on**. Useful to cook soufflés, pizzas and pastry.



 **Down Bake**
Bottom conventional system; heating comes from the **bottom element only**. Use this mode to complete the cooking.

General Oven Tips

Preheating the Oven

- Preheat the oven when using the Bake, Convection Bake and Convection Roast modes.
- Selecting a higher temperature does not shorten the preheat time.
- Preheating is necessary for good results when baking cakes, cookies, pastry and breads.
- Preheating will help to sear roasts and seal in meat juices.
- Place oven racks in their proper position before preheating.

Operational Suggestions

- Use the cooking charts as a guide.
- Do not set pans on the open oven door.
- Use the interior oven light to view the food through the oven door window rather than opening the door frequently.

Utensils

- Glass baking dishes absorb heat. Reduce oven temperature 25°F (15°C) when baking in glass.
- Use pans that give the desired browning. The type of finish on the pan will help determine the amount of browning that will occur.
- Shiny, smooth metal or light non-stick / anodized pans reflect heat, resulting in lighter, more delicate browning. Cakes and cookies require this type of utensil.

- Dark, rough or dull pans will absorb heat resulting in a browner, crisper crust. Use this type for pies.
- For brown, crisp crusts, use dark non-stick / anodized or dark, dull metal utensils or glass bake ware. Insulated baking pans may increase the length of cooking time.
- Do not cook with the empty broiler pan in the oven, as this could change cooking performance. Store the broil pan outside of the oven.

Oven Condensation and Temperature

- It is normal for a certain amount of moisture to evaporate from the food during any cooking process. The amount depends on the moisture content of the food. The moisture may condense on any surface cooler than the inside of the oven, such as the control panel.

High Altitude Baking

- When cooking at high altitude, recipes and cooking time will vary from the standard.

120/240 vs. 120/208 Volt Connection

- Most oven installations will have a 120/240 voltage connection.
- If your oven is installed with 120/208 voltage, the preheat time may be slightly longer than with 120/240 voltage.

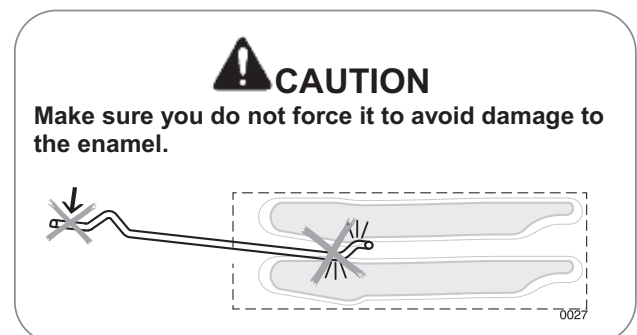
Oven Racks

- The oven has rack guides at four levels as shown in the illustration on Page 6.
- Rack positions are numbered from the bottom rack guide (#1) to the top (#4).
- Check cooking charts for best rack positions to use when cooking.
- Each level guide consists of paired supports formed in the walls on each side of the oven cavity.
- Always be sure to position the oven racks before turning on the oven. Make sure that the racks are level once they are in position.

Please refer to illustration on Page 6 if there is any question as to which side is the front of the rack.

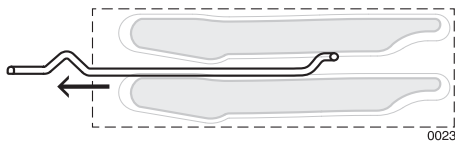
- The racks are designed to stop when pulled forward to their limit.

CAUTION! Never use aluminum foil to cover the oven racks or to line the oven. It can cause damage to the oven liner if heat is trapped under the foil.

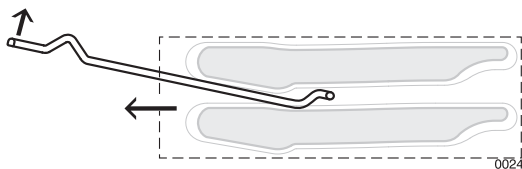


To remove oven rack from the oven:

1. Pull rack forward

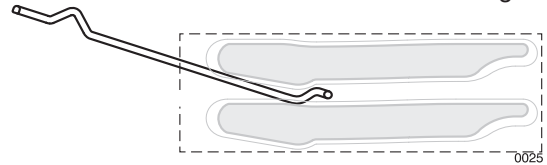


2. Lift rack up at front and then remove it

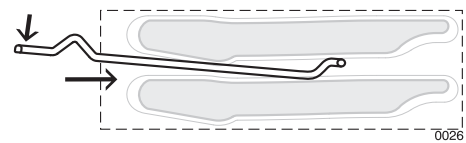


To replace an oven rack:

1. Place rear of rack between rack level guides



2. While lifting front of rack, slide rack in all the way while lowering the front



Oven Extendable Racks (Optional)

- The extendable rack allows for easier access to cooking foods. It extends beyond the standard flat rack bringing the food closer to the user.



CAUTION

When the rack is outside of the oven, slide arms do not lock. They could unexpectedly extend if the rack is carried incorrectly. **Extending slide arms could cause injury. Rack should only be held or carried by grasping the sides.**

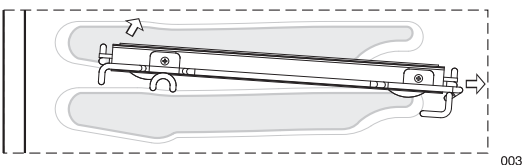
NOTE: Always remove the extendable rack before self-cleaning the oven.

CAUTION! To avoid burns, pull rack all the way out and lift pan above handle when transferring food to and from oven.

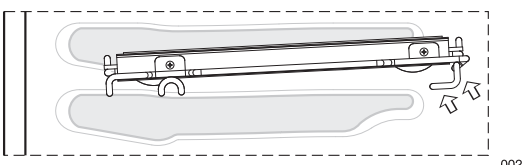
Please refer to illustration on Page 6 if there is any question as to which side is the front of the rack.

To remove extendable rack from the oven:

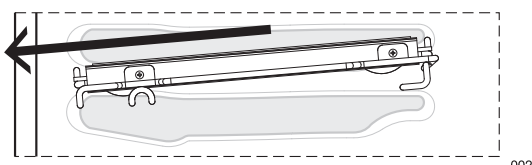
1. Lift of rack slightly and push it until the stop release



2. Raise back of rack until frame and stop clear rack guide

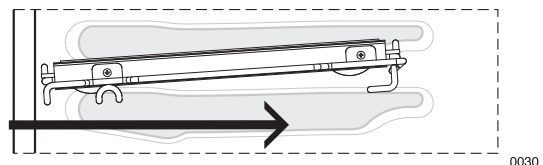


3. Pull rack down and out

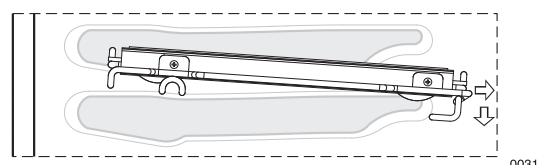


To replace an extendable rack:

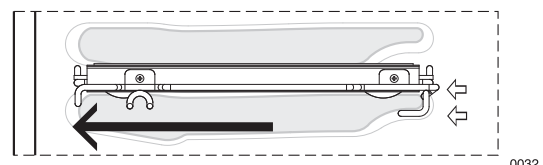
1. Grasp rack firmly on both sides. Place rack (including frame) above desired rack guide



2. Push all the way in until the back of the rack drops into place



3. Pull both sections forward until stops activates. Rack should be straight and flat, not crooked



Control Setting

ACTION	RESULT
<p>To set time of day</p> <p>Switch on Electricity supply.</p> <p>Press in button A and B together whilst adjusting the time using buttons E and F. When the desired time has been reached release all buttons.</p>	<p>0.00-flashing</p> <p>Correct time displayed.</p>
<p>Set Minute Minder</p> <p>Press button A.</p> <p>Using buttons E and F adjust to the time interval required.</p> <p>The beeper is cancelled by pressing any of the buttons. At any time during the countdown, the time remaining can be displayed by pressing button A.</p>	<p>The display reads 0.00.</p> <p>The display reads the time interval required. At the end of the timed period the beeper will sound. The beeper will sound for approx 2 minutes unless the beeper is cancelled manually.</p> <p>The beeper is cancelled.</p>
<p>Full Auto Cooking</p> <p>Set the oven to the required function and temperature.</p> <p>Press button B and set the duration - the length of time you wish the food to cook - using buttons E and F.</p> <p>Press button C to set the end time - the time you wish the food to finish cooking - using buttons E and F.</p> <p>Turn control knobs to the 0 position and press button D twice.</p>	<p>The word AUTO will appear.</p> <p>The oven will now automatically switch itself on, cook, and switch off at the required time. At the end of the cooking period, the beeper will sound.</p> <p>The beeper stops and the programmer is returned to the manual mode.</p>
<p>To check remaining Cooking Duration</p> <p>During any auto cooking you can check the remaining cooking time by pressing button B.</p>	<p>The time remaining is displayed.</p>
<p>To check the cooking end</p> <p>During any auto cooking you can check the time the oven is going to switch OFF by pressing button C.</p>	<p>The required finish time is displayed.</p>
<p>Semi automatic cooking using Duration</p> <p>Turn the oven to the required function and temperature. Press button B and set the duration - the length of time you wish the food to cook – using buttons E and F.</p> <p>Turn control knobs to the 0 position and press button D twice.</p>	<p>The word AUTO will appear, and the cooking symbol will stay on. The oven will be on until the end of the duration time whereupon the beeper will sound.</p> <p>The beeper stops and the programmer is returned to the manual mode.</p>
<p>Semi automatic cooking using End Time</p> <p>Turn the oven to the required function and temperature. Press button C and using buttons E and F adjust the time at which you require the food to finish cooking.</p> <p>Turn control knobs to the 0 position and press button D twice.</p>	<p>The word AUTO will appear, and the cooking symbol will stay on. The oven will be on until the end of the duration time whereupon the beeper will sound.</p> <p>The beeper stops and the programmer is returned to the manual mode.</p>
<p>To cancel a program</p> <p>Press button B and adjust the time displayed using button E to read: 00.00. Turn control knobs to the 0 position and press button D.</p>	<p>The program will be automatically cancelled.</p>

Bake Tips and Techniques

Baking is cooking with heated air. Both upper and lower elements in the oven are used to heat the air but no fan is used to circulate the heat.

Follow the recipe or convenience food directions for baking temperature, time and rack position. Baking time will vary with the temperature of ingredients and the size, shape and finish of the baking utensil.

General Guidelines

- For best results, bake food on a single rack with at least 1" - 1 ½" (2,5 - 3cm) space between utensils and oven walls.
- Use one rack when selecting the bake mode.
- Check for doneness at the minimum time.
- Use metal bake ware (with or without a non stick finish), heatproof glass, glass-ceramic, pottery or other utensils suitable for the oven.
- When using heatproof glass, reduce temperature by 25°F (15°C) from recommended temperature.
- Use baking sheets with or without sides or jelly roll pans.
- Dark metal pans or nonstick coatings will cook faster with more browning. Insulated bake ware will slightly lengthen the cooking time for most foods.
- Do not use aluminum foil or disposable aluminum trays to line any part of the oven. Foil is an excellent heat insulator and heat will be trapped beneath it. This will alter the cooking performance and can damage the finish of the oven.
- Avoid using the opened door as a shelf to place pans.
- Tips for Solving Baking Problems is found on Page 21.

Bake Chart

FOOD ITEM	RACK POSITION	TEMP. °F (°C) (PREHEATED OVEN)	TIME (MIN)
Cake			
Cupcakes	2	350 (175)	17-19
Bundt Cake	1	350 (175)	37-43
Angel Food	1	350 (175)	35-39
Pie			
2 crust, fresh, 9"	2	375-425 (190-220)	45-55
2 crust, frozen fruit, 9"	2	375 (190)	68-78
Cookies			
Sugar	2	350-375 (175-190)	6-11
Chocolate Chip	2	350-375 (175-190)	8-13
Brownies	2	350 (175)	29-36
Breads			
Yeast bread loaf, 9x5	2	375 (190)	18-22
Yeast rolls	2	375-400 (190-205)	12-15
Biscuits	2	375-400 (190-205)	11-15
Muffins	2	425 (220)	15-19
Pizza			
Frozen	2	400-450 (205-235)	23-26
Fresh	2	425-450 (220-235)	12-15

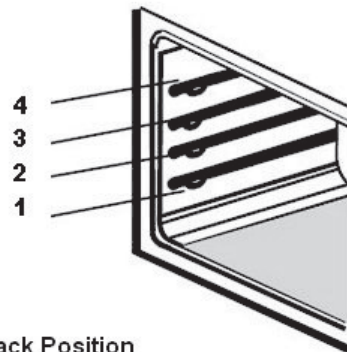
Convection Bake Tips and Techniques

Reduce recipe baking temperatures by 25°F (15°C).

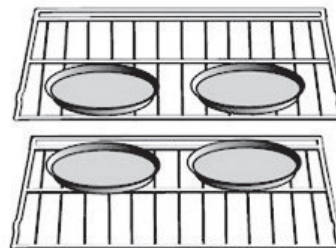
- For best results, foods should be cooked uncovered, in low-sided pans to take advantage of the forced air circulation. Use shiny aluminum pans for best results unless otherwise specified.
- Heatproof glass or ceramic can be used. Reduce temperature by another 25°F (15°C) when using heatproof glass dishes for a total reduction of 50°F (30°C).
- Dark metal pans may be used. Note that food may brown faster when using dark metal bake ware.
- The number of racks used is determined by the height of the food to be cooked.
- Baked items, for the most part, cook extremely well in convection. Don't try to convert recipes such as custards, quiches, pumpkin pie, or cheesecakes, which do not benefit from the convection-heating process. Use the regular Bake mode for these foods.
- Multiple rack cooking for oven meals is done on rack positions 1, 2 and 3. All four racks can be used for cookies, biscuits and appetizers.
 - 2 Rack baking: Use positions 1 and 3.
 - 3 rack baking: Use positions 2, 3 and 4.
- When baking four cake layers at the same time, stagger pans so that one pan is not directly above another. For best results, place cake on front of upper rack and back of lower rack (See graphic at right). Allow 1" - 1 1/2" (2,5 - 3cm).air space around pans.
- Converting your own recipe can be easy. Choose a recipe that will work well in convection.
- Reduce the temperature and cooking time if necessary. It may take some trial and error to achieve a perfect result. Keep track of your technique for the next time you want to prepare the recipe using convection.
- Tips for Solving Baking Problems are found on Page 21.

Foods recommended for Convection Bake mode:

- Appetizers Biscuits Coffee Cakes
- Cookies (2 to 4 racks) Yeast Breads
- Cream Puffs
- Popovers
- Casseroles and One-Dish Entrees
- Oven Meals (rack positions 1, 2, 3)
- Air Leavened Foods (Soufflés, Meringue, Meringue-Topped Desserts, Angel Food Cakes, Chiffon Cakes)



Rack Position



Multiple Rack Pan Placement

Quick and easy recipe tips

Converting from standard **BAKE** to **CONVECTION BAKE**:

- Reduce the temperature by 25°F (15°C).
- Use the same baking time as Bake mode if under 10 to 15 minutes.
- Foods with a baking time of less than 30 minutes should be checked for doneness 5 minutes earlier than in standard bake recipes.
- If food is baked for more than 40 to 45 minutes, bake time should be reduced by 25%.

Convection Bake Chart

Reduce standard recipe temperature by 25°F(15°C) for Convection Bake.
Temperatures have been reduced in this chart.

FOOD ITEM	RACK POSITION	TEMP. °F (°C) (PREHEATED OVEN)	TIME (MIN)
Cake			
Cupcakes	2	325 (160)	17-19
Bundt Cake	1	325 (160)	37-43
Angel Food	1	325 (160)	35-39
Pie			
2 crust, fresh, 9"	2	350-400 (175-205)	45-55
2 crust, frozen fruit, 9"	2	350 (175)	68-78
Cookies			
Sugar	2	325-350 (160-175)	6-11
Chocolate Chip	2	325-350 (160-175)	8-13
Brownies	2	325 (160)	29-36
Breads			
Yeast bread, loaf, 9x5	2	350 (175)	18-22
Yeast rolls	2	350-375 (175-190)	12-15
Biscuits	2	350-375 (175-190)	11-15
Muffins	2	400 (205)	15-19
Pizza			
Frozen	2	375-425 (190-220)	23-26
Fresh	2	400-425 (205-220)	12-15

This chart is a guide.

Follow recipe or package directions and reduce temperatures appropriately.

Convection Broil Tips and Techniques

- Place rack in the required position needed before turning on the oven.
- Use Convection Broil mode with the **oven door closed**.
- Do not preheat oven.
- Use the 2-piece broil pan.
- Turn meats once halfway through the cooking time (see convection broil chart).

Convection Broil Chart

FOOD AND THICKNESS	RACK POSITION	BROIL SETTING °F (°C)	INTERNAL TEMP. °F (°C)	TIME SIDE 1 (MIN.)*	TIME SIDE 2 (MIN.)*
Beef					
Steak (1-½" or more)					
Medium rare	2	450 (235)	145 (65)	12-14	11-13
Medium	2	450 (235)	160 (71)	15-17	13-15
Well	2	450 (235)	170 (77)	18-20	16-17
Hamburgers (more than 1")					
Medium	3	550 (290)	160 (71)	9-11	5-8
Well	3	550 (290)	170 (77)	11-13	8-10
Poultry					
Chicken Quarters	3	450 (235)	180 (82) (thigh)	16-18	14-16
Chicken Breasts	3	450 (235)	170 (77)	14-16	12-14
Pork					
Pork Chops (1¼" or more)	2	450 (235)	160 (71)	12-14	13-15
Sausage - fresh	3	450 (235)	160 (71)	4-6	3-5

* Broiling and convection broiling times are approximate and may vary slightly.

Broil Tips and Techniques

- Place rack in the required position needed before turning on the oven.
- Use Broil mode with the **oven door closed**.
- Do not preheat oven.
- Use the 2-piece broil pan.
- Meats may be brushed with cooking oil or butter to prevent sticking.
- Turn meats once halfway through the cooking time (see broil chart).

Broil Chart

FOOD AND THICKNESS	RACK POSITION	BROIL SETTING	INTERNAL TEMP. °F (°C)	TIME SIDE 1 (MIN.)*	TIME SIDE 2 (MIN.)*
Beef					
Steak (3/4"-1")					
Medium rare	3	MAX (290°C)	145 (63)	5-7	4-6
Medium	3	MAX (290°C)	160 (71)	6-8	5-7
Well	3	MAX (290°C)	170 (77)	8-10	7-9
Hamburgers (3/4"-1")					
Medium	3	MAX (290°C)	160 (71)	7-9	5-7
Well	3	MAX (290°C)	170 (77)	8-10	7-9
Poultry					
Breast (bone-in)	3	450°F (230°C)	170 (77)	14-16	14-16
Thigh (very well done)	3	450°F (230°C)	180 (82)	28-30	13-15
Pork					
Pork Chops (1")	3	MAX (290°C)	160 (71)	7-9	5-7
Sausage - fresh	3	MAX (290°C)	160 (71)	5-7	3-5
Ham Slice (1/2")	3	MAX (290°C)	160 (71)	3-5	4-6
Seafood					
Fish Filets, 1" Buttered	3	500°F (260°C)	Cook until opaque & flakes easily with fork	10-14	Do not turn
Lamb					
Chops (1")					
Medium Rare	3	MAX (290°C)	145 (63)	5-7	4-6
Medium	3	MAX (290°C)	160 (71)	6-8	5-7
Well	3	MAX (290°C)	170 (77)	8-10	7-9
Bread					
Garlic Bread, 1" slices	4	MAX (290°C)		2-2,30	
Garlic Bread, 1" slices	3	MAX (290°C)		4-6	

* Broiling and convection broiling times are approximate and may vary slightly

Food Service Temperature Guidelines from FSIS (USDA food Safety & Inspection Service)

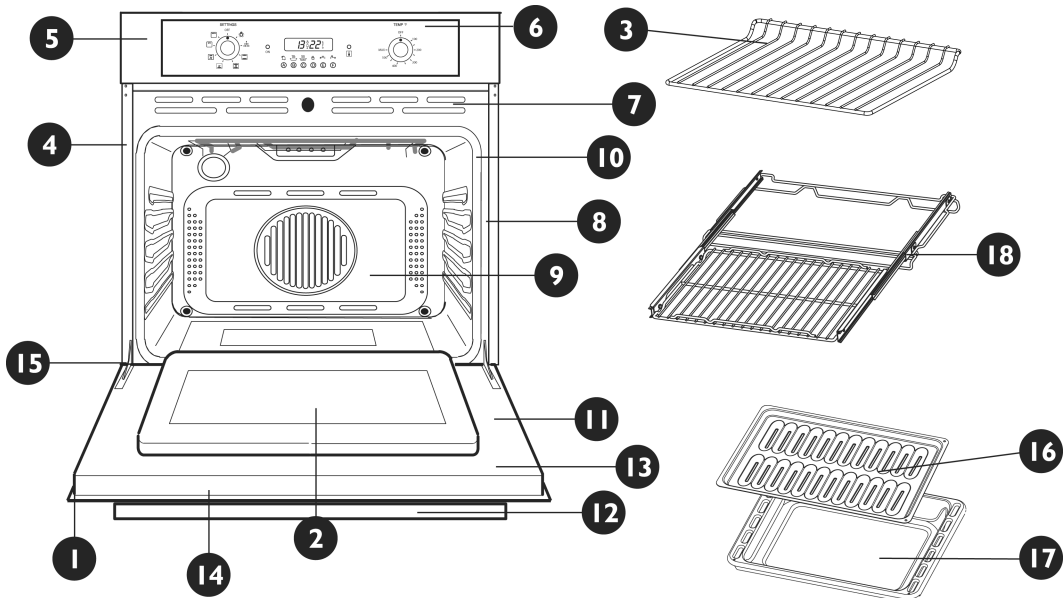
140°F(60°C)	Ham, precooked (to Reheat)	165°F (74°C)	Stuffing (cooked alone or in bird)
145°F(63°C)	Fresh beef, Veal, Lamb (medium rare)		Leftovers & Casseroles
160°F(71°C)	Ground Meat & Meat mixtures (Beef, Pork, Veal Lamb)	170°F (77°C)	Fresh beef, Veal, Lamb (well done)
	Fresh beef, Veal, Lamb (medium)		Poultry breast
	Fresh Pork (medium)		Fresh Pork (well done)
	Fresh Ham (raw)	180°F (82°C)	Chicken and Turkey (Whole)
	Egg Dishes		Poultry (thighs and wings)
165°F(74°C)	Ground Meat & Meat mixtures (Turkey, Chicken)		Duck and Goose

Note : Eggs (alone, not used in a recipe) – cook until yolk & white are firm

General Oven Care

How to Use the Oven Cleaning Chart

1. Locate the number of the part to be cleaned in the illustration on this page.
2. Find the part name in the chart.
 - Use the cleaning method in the left column if the oven is black or white.
 - Use the cleaning method in the right column if the oven is stainless steel.
3. Match the letter with the cleaning method on following page.



Cleaning Chart

Part		Cleaning Method		Part		Cleaning Method	
		Black & White Oven	Stainless Steel Oven			Black & White Oven	Stainless Steel Oven
1	Door frame	E	E	11	Interior Oven Door	E	E
2	Interior door windows	F	F	12	Door Handle	D	D
3	Removable Oven Racks	A	A	13	Door Cooling Vent	E	E
4	Slide Trim	D	D	14	Door Front	D	D
5	Control Panel Trim	C	G	15	Oven Trim	D	D
6	Control Panel	C	C	16	Broil Pan Rack	E	E
7	Oven Cooling Vents	E	E	17	Broil pan Bottom	E	E
8	Oven Front Frame	E	E	18	Extendable rack	A	A
9	Oven Cavity	E	E				
10	Mesh Gasket	B	B				

Oven Finishes / Cleaning Methods

The entire oven can be safely cleaned with a soapy sponge, rinsed and dried. If stubborn soil remains, follow the recommended cleaning methods below.

- Always use the mildest cleaner that will do the job.
- Rub metal finishes in the direction of the grain.
- Use clean, soft cloths, sponges or paper towels.
- Rinse thoroughly with a minimum of water so it does not drip into door slots.
- Dry to avoid water marks.

The cleaners listed below indicate types of products to use and are not being endorsed. Use all products according to package directions.

<i>Part</i>	<i>Cleaning Method</i>
A Chrome Plated	Wash with hot sudsy water. Rinse thoroughly and dry. Or, gently rub with Soft Scrub®, Bon-Ami®, Comet®, Ajax®, Brillo® or S.O.S.® pads as directed. Easy Off® or Dow® Oven Cleaners (cold oven formula) can be used, but may cause darkening and discoloration. Racks may be cleaned in the oven during the self-clean mode. However, they will lose their shiny finish and permanently change to a metallic gray.
B Fiberglass Knit	DO NOT HAND CLEAN GASKET.
C Glass	Spray Windex® or Glass Plus® onto a cloth first, then wipe to clean. Use Fantastik® or Formula 409® to remove grease spatters.
D Painted	Clean with hot sudsy water or apply Fantastik® or Formula 409® first to a clean sponge or paper towel and wipe clean. Avoid using powdered cleansers and steel wool pads.
E Porcelain	Immediately wipe up acid spills like fruit juice, milk and tomatoes with a dry towel. Do not use a moistened sponge/towel on hot porcelain. When cool, clean with hot sudsy water or apply Bon-Ami® or Soft Scrub® to a damp sponge. Rinse and dry. For stubborn stains, gently use Brillo® or S.O.S.® pads. It is normal for porcelain to craze (fine lines) with age due to exposure from heat and food soil.
F Reflective Glass	Clean with hot sudsy water and sponge or plastic scrubber. Rub stubborn stains with vinegar, Windex®, ammonia or Bon-Ami®. DO NOT USE HARSH ABRASIVES.
G Stainless	Always wipe or rub with grain. Clean with a soapy sponge then rinse and dry. Or, wipe with Fantastik® or Formula 409® sprayed onto a paper towel. Protect and polish with Stainless Steel Magic® and a soft cloth. Remove water spots with a cloth dampened with white vinegar. Use Zud®, Cameo®, Bar Keeper's Friend® or RevereWare Stainless Steel Cleaner®, to remove heat discoloration.
H Probe (if present)	Clean probe by hand with detergent and hot water. Then rinse and dry. Do not so or clean in dishwasher.

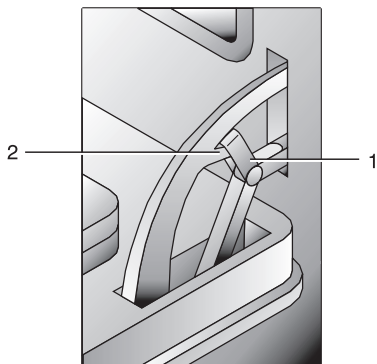
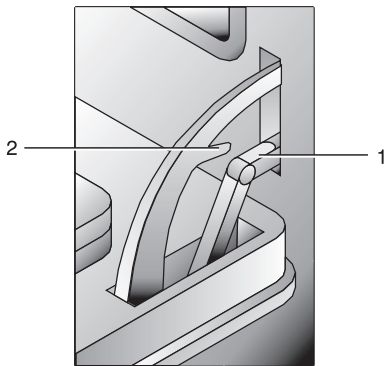
Do-it-Yourself Maintenance
Oven Door Removal

! WARNING

- Make sure oven is cool and power to the oven has been turned off before removing the door. Failure to do so could result in electrical shock or burns.
- The oven door is heavy and fragile. Use both hands to remove the oven door. The door front is glass. Handle carefully to avoid breakage.
- Grasp only the sides of the oven door. Do not grasp the handle as it may swing in your hand and cause damage or injury.
- Failure to grasp the oven door firmly and properly could result in personal injury or product damage.

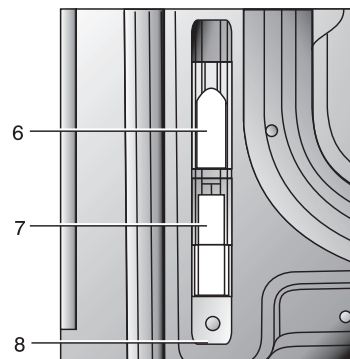
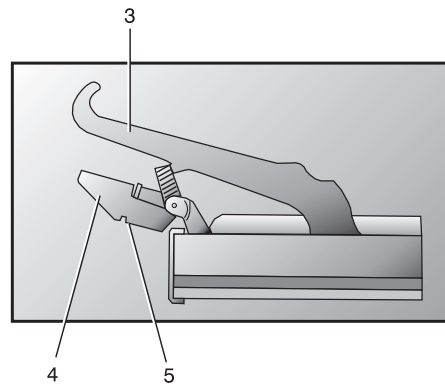
To Remove Door

1. Open the door completely.
2. Lift up the hinge bracket (1) into the slot (2).
3. Hold the door firmly on both sides using both hands and close the door.
4. Hold firmly; the door is heavy.
5. Place the door in a convenient location.



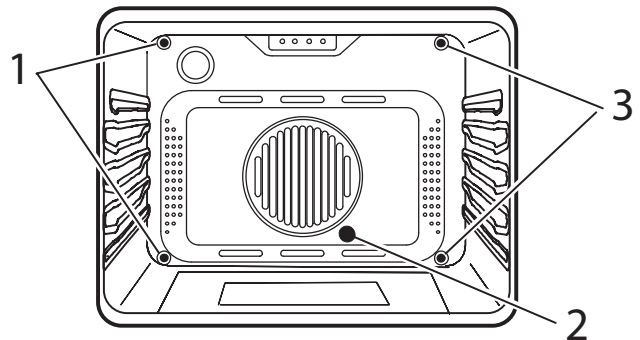
To Replace Door

1. Insert the upper arms (3) of both hinges into the upper slots (6) and the lower arms (4) into the lower slots (7). The recesses (5) must hook on the lips (8).
2. Move the hinge brackets (1) back down into position.
3. Close and open the door slowly to assure that it is correctly and securely in place.



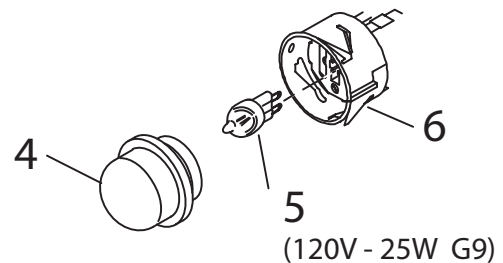
Replacing an Oven Light

- Each oven is equipped with one halogen light located in the back wall of the oven.
- The lights are switched on when the oven is in a cooking cycle.
- Each light assembly consists of a removable lens, a light bulb as well as a light socket housing that is fixed in place. See figure on this page.
- Light bulb replacement is considered to be a routine maintenance item.



To Replace a Light Bulb

1. Read WARNING on this page.
2. Turn off power at the main power supply (fuse or breaker box).
3. In convection ovens, remove the fan cover by unscrewing the four screws.
4. Remove the lens by unscrewing it.
5. Remove the light bulb from its socket by pulling it.
6. Replace the bulb with a new one. Avoid touching the bulb with fingers, as oils from hands can damage the bulb when it becomes hot.
7. The bulb is halogen: use one with the same Volt and Watt (**see figures on this page**).
8. Screw the lens back on.
9. Replace the fan cover if it is provided with the oven model.



Turn power back on at the main power supply (fuse or breaker box).

⚠ WARNING

- Make sure the oven and lights are cool and power to the oven has been turned off before replacing the light bulb(s). Failure to do so could result in electrical shock or burns.
- The lenses must be in place when using the oven.
- The lenses serve to protect the light bulb from breaking.
- The lenses are made of glass. Handle carefully to avoid breakage. Broken glass could cause an injury.

Solving Baking Problems

With either Bake or Convection Bake, poor results can occur for many reasons other than a malfunction of the oven. Check the chart below for causes of the most common problems. Since the size, shape and material of baking utensils directly affect the baking results, the best solution may be to replace old baking utensils that have darkened and warped with age and use. Check the Baking Charts from Page 12 to 16 for the correct rack position and baking time

<i>Baking Problem</i>	<i>Cause</i>
Food browns unevenly	<ul style="list-style-type: none"> • Oven not preheated • Aluminum foil on oven rack or oven bottom • Baking utensil too large for recipe • Pans touching each other or oven walls
Food too brown on bottom	<ul style="list-style-type: none"> • Oven not preheated • Using glass, dull or darkened metal pans • Incorrect rack position • Pans touching each other or oven walls
Food is dry or has shrunk excessively	<ul style="list-style-type: none"> • Oven temperature too high • Baking time too long • Oven door opened frequently • Pan size too large
Food is baking or roasting too slowly	<ul style="list-style-type: none"> • Oven temperature too low • Oven not preheated • Oven door opened frequently • Tightly sealed with aluminum foil • Pan size too small
Pie crusts do not brown on bottom or have soggy crust	<ul style="list-style-type: none"> • Baking time not long enough • Using shiny steel pans • Incorrect rack position • Oven temperature is too low
Cakes pale, flat and may not be done inside	<ul style="list-style-type: none"> • Oven temperature too low • Incorrect baking time • Cake tested too soon • Oven door opened too often • Pan size may be too large
Cakes high in middle with crack on top	<ul style="list-style-type: none"> • Baking temperature too high • Baking time too long • Pans touching each other or oven walls • Incorrect rack position • Pan size too small
Pie crust edges too brown	<ul style="list-style-type: none"> • Oven temperature too high • Edges of crust too thin

Solving Operational Problems

Before calling for assistance or service, please check "Troubleshooting." It may save you the cost of a service call. If you still need help, follow the instructions below. When calling, please know the purchase date and the complete model and serial number of your appliance. This information will help us to better respond to your request.

<i>Oven Problem</i>	<i>Problem Solving Steps</i>
The oven display stays OFF	Turn off power at the main power supply (fuse or breaker box). Turn breaker back on. If condition persists, call an authorized service center.
Cooling fan continues to run after oven is turned off	The fan turns off automatically when the electronic components have cooled sufficiently.
Oven is not heating	Check the circuit breaker or fuse box to your house. Make sure there is proper electrical power to the oven. Make sure the oven temperature has been selected.
Oven is not cooking evenly	Refer to cook charts for recommended rack position. Always reduce recipe temperature by 25°F (15°C) when baking with Convention Bake mode.
Oven light is not working properly	Replace or reinsert the light bulb if loose or defective. See Page 20. Touching the bulb with fingers may cause the bulb to burn out.
Cannot remove lens cover on light	There may be a soil build-up around the lens cover. Wipe lens cover area with a clean dry towel prior to attempting to remove the lens cover.
Excessive moisture	When using Bake mode, preheat the oven first. Convection Bake will eliminate any moisture in oven (this is one of the advantages of convection).
Porcelain chips	When oven racks are removed and replaced, always tilt racks upward and do not force them to avoid chipping the porcelain.

Service Data Record

For authorized service or parts information see paragraph "Fulgor Warranty".

The location of the serial tag on the product can be seen when the oven door is opened. It is located on the left side, centered vertically just inside the oven cavity. See Page 6. Now is a good time to write this information in the space provided below. Keep your invoice for warranty validation.

Model Number _____ Serial Number _____ Date of Installation _____

Fulgor Milano WARRANTY for Home Appliances

Duration of warranty:

Fulgor Milano grants for the Continental U.S and Canada a 24 month full warranty from the date of purchase indicated on the invoice. During this period **Fulgor Milano** will pay the cost for replaced parts and labor needed to repair the appliance.

For proof of warranty, please retain the original purchase invoice and the delivery slip.

To obtain service under this warranty, you must:

1. Contact Fulgor-Milano North America Service by email at fulgor@adcoservice.com or by toll free number at 1-855-4-fulgor (855-438-5467) for guidance in receiving service for your appliance.
2. Provide a copy of your original sales receipt.
3. Provide **Fulgor Milano** reasonable opportunity to investigate the claim before the Product or any component of the Product has been removed.

Coverage:

Read the Use and Care Manual before using the appliance for the first time!

This warranty applies to **Fulgor Milano** appliances utilized only for residential use. Our appliances are not intended for commercial use. This warranty is only valid for the original owner and is not transferable.

During the warranty period **Fulgor Milano** will, at its discretion, repair or exchange the product without charge for parts and labor.

The warranty does not cover :

1. Damage to the appliance caused intentionally or by accident.
2. Improper installation or incorrect connection to the power supply.
3. Damage due to the excessive heat generated by exterior sources, water damage.
4. Transport damage.
5. Modifications to the appliance.
6. Malfunctions due to improper usage
7. Breakage or normal usage scratches of the ceramic glass surface.
8. Light bulbs damage or exterior fuses.
9. Operation under professional or commercial conditions.
10. Lightning, fire, flood damages or other Acts of God.
11. Replacement or attachment of parts other than original, provided by **Fulgor Milano**
12. Cosmetic claims such as scratches on stainless steel, handle damage, etc. are under a limited warranty only, and must be claimed within 2 weeks after the date of purchase.

This warranty covers only the appliance and its components. Damage of any items in direct contact or placed near to the appliance are excluded from the warranty. Charges from any third parties other than **Fulgor Milano** authorized service agencies will not be accepted.

Should the appliance prove defective in workmanship or material, the end user shall be granted repair or replacement only. Under no circumstances shall **Fulgor** be liable for any loss or damage, whether it be direct, consequential, or incidental, arising out of the use or incorrect use of the appliance.

In order to obtain warranty rights, the original invoice must be provided to the Technical Services Department, **Fulgor Milano** to verify the date of purchase. Some states do not allow limitations of incidental or consequential damages, therefore the above named limitations or exclusions may not apply.

In case of technical claims or for service, first contact the dealer where the Fulgor Milano appliance was purchased!

Fulgor Milano

After Sales Service Support & Warranty Information:

1-855-4-fulgor (855-438-5467)

fulgor@adcoservice.com

Table of Contents

	Page		
Précaution de sécurité	26	<i>Tabelau de nettoyage du four</i>	39
Instructions de sûreté	27	Finitions du four / méthodes de nettoyage	40
<i>Securite pour le four</i>	27	Entretien à faire soi-même Retrait de la porte du four	41
Caractéristiques de votre four	28	Entretien à faire soi-même Remplacement d'une ampoule du four	42
Les tableaux de commande	29	<i>Pour remplacer une ampoule</i>	42
<i>Programmeur electronique</i>	29	Solution pour des problèmes de cuisson	43
Information générale du four	29	Résolution des problèmes de fonctionnement	44
Modes de four	30	GARANTIE FULGOR pour l'électroménager	45
Conseils généraux sur le four	31		
<i>Préchauffage du four</i>	31		
<i>Suggestions d'utilisation</i>	31		
<i>Ustensiles</i>	31		
<i>Condensation du four et température</i>	31		
<i>Cuisson à haute altitude</i>	31		
<i>Branchement de 120/240 ou de 0/208 Volt</i>	31		
<i>Grilles de four</i>	31		
<i>Grille rallonge (Optionnel)</i>	32		
Réglage de la Commande	33		
Conseils et technique de cuisson	34		
<i>Tableau de cuisson</i>	34		
Conseils et techniques de convection européenne	35		
<i>Tableau de convection européenne</i>	36		
Conseils et techniques pour le convection grill	37		
<i>Tableau de convection grill</i>	37		
Conseils et techniques de grill	38		
<i>Tableau de grill</i>	38		
Entretien général du four	39		
<i>Comment utiliser le tableau de nettoyage du four</i>	39		



IMPORTANT

*Appareil domestique et four
Précaution de sécurité*

Veillez lire les instructions avant toute utilisation.



AVERTISSEMENT

A condition de bien l'entretenir, votre nouveau four FULGOR a été conçu pour être un appareil fiable et sûr. Lisez toutes les instructions soigneusement avant d'utiliser ce four. Ces précautions réduiront le risque de brûlures, d'électrocutions, d'incendie, et de blessures à des personnes. Lorsque vous utilisez des appareils électroménagers de cuisine, il faut suivre les mesures de sécurité basiques, y compris les suivantes :

Cet appareil doit être correctement installé et branché par un technicien qualifié. Branchez-le uniquement à une prise de courant de terre correcte. Reportez-vous à "Instructions de mise à la terre" dans les Instructions d'installation.

- Cet appareil ne doit être mis en service uniquement par un technicien apte et agréé. Contactez le centre de service agréé le plus proche de chez vous pour une inspection, une réparation ou un réglage.
- Ne réparez pas ou ne remplacez pas des pièces du four sauf si on vous le recommande spécifiquement. Faites appel au service agréé.
- Ne faites pas fonctionner cet appareil s'il ne fonctionne pas correctement ou s'il a été abîmé jusqu'à l'inspection du service après-vente agréé.
- Installez ou placez cet appareil uniquement et conformément aux Instructions d'installation.
- Utilisez ce four uniquement dans le but pour lequel il a été conçu par le fabricant. Pour toute question, contactez le fabricant.
- Ne couvrez pas ou ne bloquez pas les ouvertures de cet appareil.
- N'utilisez l'appareil que selon l'usage décrit dans ce manuel. N'utilisez pas de produits chimiques corrosifs, des vapeurs ou des produits non alimentaires dans cet appareil. Ce type de four est spécifiquement conçu pour chauffer ou cuire. Il n'est pas conçu pour une utilisation industrielle ou en laboratoire. L'utilisation de produits chimiques corrosifs pour le chauffage et le nettoyage endommagera cet appareil.
- Si vos vêtements ou vos cheveux prennent feu, **LAISSEZ-VOUS TOMBER ET ROULEZ IMMEDIATEMENT** pour éteindre les flammes.

- Ne laissez pas les enfants utiliser cet appareil électroménager sans la surveillance stricte d'un adulte. Les enfants et les animaux domestiques ne devraient pas être laissés seuls ou sans surveillance près d'appareil électroménager lorsqu'il est utilisé. Ne laissez jamais un enfant s'asseoir ou se mettre debout sur toute pièce du four.



ATTENTION

- Ne mettez pas des objets d'intérêt pour les enfants sur le four. Si un enfant devait grimper sur l'appareil électroménager pour atteindre ces objets, il pourrait se blesser gravement.

Pour réduire les risques de feu dans le four :

1. Ne mettez pas des matériaux inflammables près du four ou dedans.
2. N'utilisez pas d'eau sur un feu de friture. Etouffez le feu en utilisant un extincteur à poudre ou à mousse.
3. Il est hautement recommandé que l'extincteur soit prêt à l'utilisation et bien visible non loin de tout appareil de cuisson.
4. Ne surcuisez pas les aliments. Surveillez le four si des produits en papier, en plastique ou des matières combustibles sont placés dedans.
5. N'utilisez pas l'intérieur du four pour ranger des objets. Ne laissez pas des produits en papier, des ustensiles de cuisine ou de la nourriture dans le four lorsqu'il n'est pas utilisé.
6. Si des matériaux à l'intérieur du four s'enflamment, laissez la porte du four. Eteignez le four et débranchez le circuit aux boîtiers disjoncteurs.
7. N'obstruez pas les ouvertures de ventilation.
8. Assurez-vous que le ventilateur fonctionne lorsque le four est en marche. Si le ventilateur ne fonctionne pas, n'utilisez pas le four. Appelez le service après-vente agréé.
9. N'utilisez jamais le four pour chauffer ou réchauffer une pièce. Cela peut endommager les pièces du four.
10. Pour votre sécurité, portez des vêtements appropriés. Des vêtements amples ou de grandes manches ne doivent jamais être portés en utilisant ce four.

**IMPORTANT****Appareil domestique et four**
Instructions de sûreté**Securite pour le four**

- Attachez les cheveux longs.
- Ne touchez pas les éléments chauffants ou l'intérieur des surfaces du four.
- Les éléments chauffants peuvent être chauds même lorsqu'ils sont sombres. Les surfaces intérieures d'un four deviennent assez chaudes pour provoquer des brûlures.
- Pendant et après l'utilisation, ne touchez pas ou ne laissez pas des vêtements ou d'autres matières inflammables en contact avec les éléments chauffants ou les surfaces intérieures du four jusqu'à ce qu'ils aient eu le temps de refroidir suffisamment.
D'autres surfaces de l'appareil pourraient devenir suffisamment chaudes pour provoquer des brûlures - ces surfaces sont, par exemple, les ouvertures de ventilation du four et les surfaces proches de ces ouvertures, les portes du four et les fenêtres des portes du four.
- L'habillage sur le dessus et sur les côtés de la porte du four peut être assez chaud pour provoquer des brûlures.
- Ouvrez la porte avec précaution. Ouvrez la porte doucement pour laisser échapper l'air chaud ou la vapeur avant d'enlever ou de remplacer la nourriture.
- Ne chauffez pas des emballages alimentaires non ouverts. L'accumulation de pression pourrait faire exploser l'emballage et donc blesser.
- Placez toujours les grilles du four dans la position voulue lorsque le four est froid. Si une grille doit être déplacée lorsque le four est chaud, ne laissez pas les moufles en contact avec les éléments chauffants.
- Utilisez toujours des moufles sèches. Des moufles humides sur des surfaces chaudes peuvent brûler à cause de la vapeur. La moufle ne doit pas toucher des parties brûlantes. N'utilisez pas de torchons ou d'autres serviettes volumineuses.

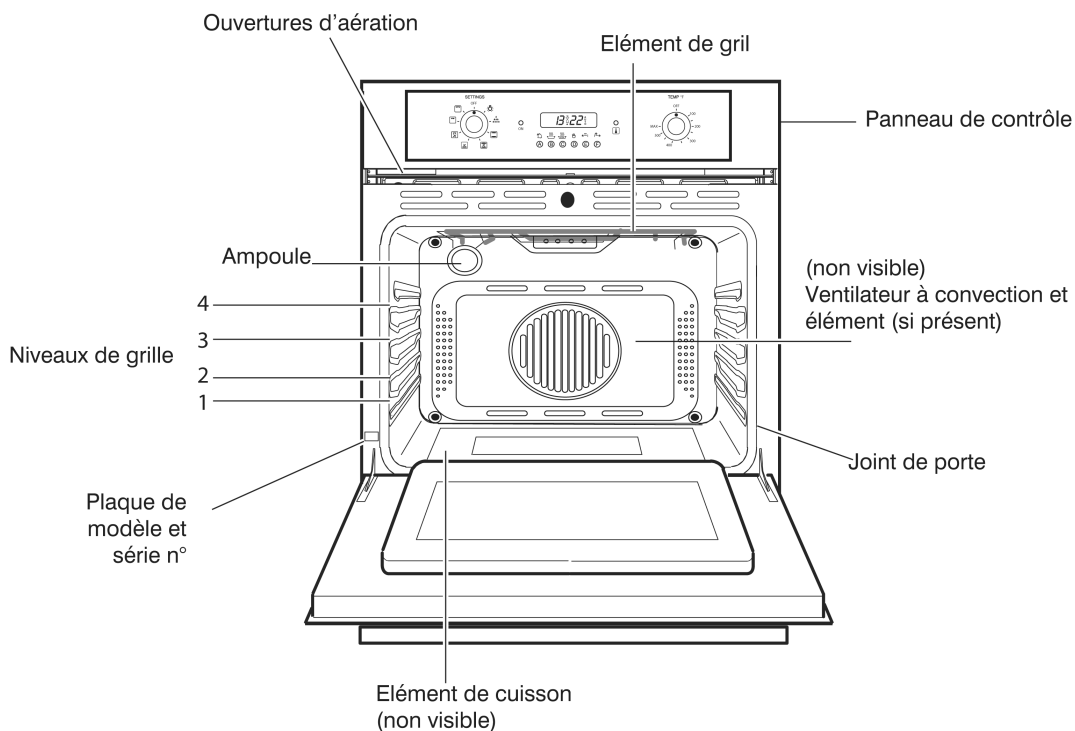
**AVERTISSEMENT**

La loi applicable sur les produits toxiques et l'eau potable de Californie requiert que les industriels avisent les utilisateurs d'exposition potentielle aux substances qui sont reconnues par l'Etat de Californie comme provoquant des cancers ou des déformations natales.

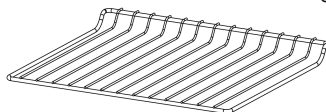
L'élimination de résidus pendant l'auto-nettoyage provoque des dérivés qui sont sur cette liste de substances.

Pour minimiser l'exposition à ces substances, faites fonctionner ce four toujours conformément aux instructions dans ce manuel et ventilez bien la pièce pendant et immédiatement après l'auto-nettoyage du four.

Caractéristiques de votre four

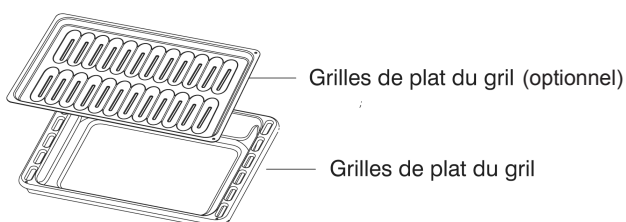
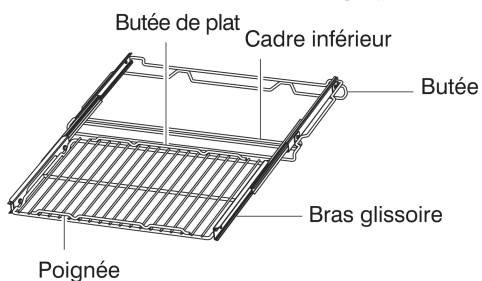


Arrière de la grille du four



Devant de la grille du four

Grille rallonge (OPTIONNEL)



Les tableaux de commande

L'interface d'utilisation a les caractéristiques suivantes: affichage, indicateurs lumineux de préchauffage, touches de commande, mode de cuisson et sélecteurs de température.

Programmeur électronique

Le programmeur utilise le système des 12 heures.

A minuteur

B durée

C fin du temps

D manuel

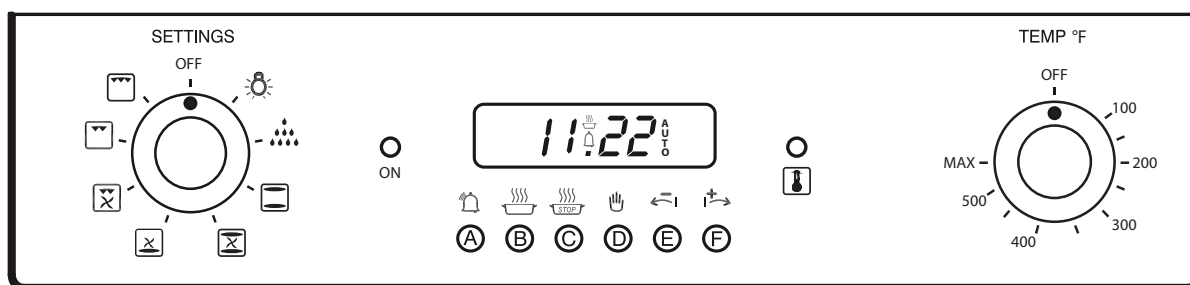
E heure décroissante

F heure croissante

NOTA

Quand vous utilisez les boutons E ou F, l'heure affichée change lentement tout d'abord puis accélère automatiquement.

Tous les programmes sont prêts à fonctionner environ 1 seconde après la programmation.



Information générale du four

Avant d'utiliser pour la première fois votre four, enlevez tous les emballages et matériaux étrangers du ou des fours. Tous ces matériaux dans le ou les fours pourraient fondre et/ou brûler lorsque le ou les fours fonctionnent.

Ventilateur à convection

Le ventilateur fonctionne pendant tous les modes à convection.

Composant du ventilateur de refroidissement

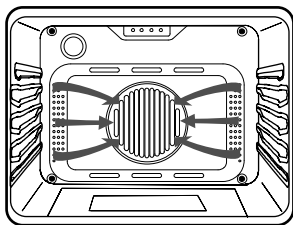
Il fonctionne pendant tous les modes de cuisson pour refroidir les composants internes et les surfaces de la porte extérieure. Cet air s'échappe des événements situés au-dessus de la porte du four. Il continue à fonctionner jusqu'à un refroidissement suffisant.

Voyants témoin

- **Jaune:** s'allume alors que la manette du commutateur est hors-position "0".
- **Rouge:** s'allume quand le thermostat branche les résistances de voûte et de la sole, celle du gril ou la résistance circulaire (à l'air chaud).

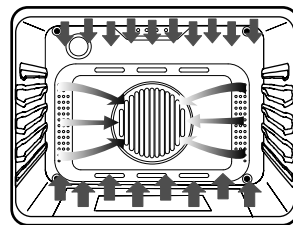
Modes de four

Les illustrations suivantes indiquent une vue générale de ce qui se passe dans le four avec chaque mode de cuisson. Les flèches représentent la situation de la source de chaleur pendant les modes spécifiques. L'élément inférieur est dissimulé sous la sole du four.



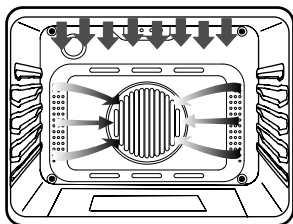
 **Cuisson au Four à Convection (Européen)**

La cuisson au four à convection cuit avec la chaleur d'un troisième élément derrière la paroi arrière du four. La chaleur circule à travers le four par un ventilateur à convection.



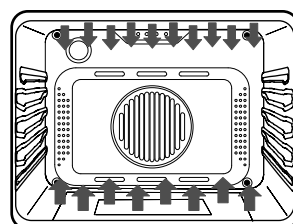
 **Cuisson au Four à Convection**

La cuisson à convection utilise l'élément supérieur, du milieu et le ventilateur à convection.



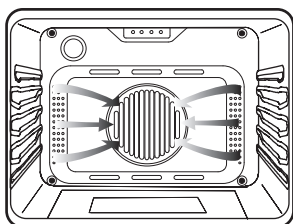
 **Grill à Convection**

Le grill à convection combine la chaleur intense de l'élément supérieur avec une chaleur qui circule grâce au ventilateur.



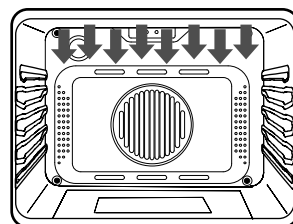
 **Cuisson au Four**

La cuisson au four est une cuisson avec de l'air chauffé. Les deux éléments du cycle, celui inférieur et celui supérieur fonctionnent pour garder la température du four.



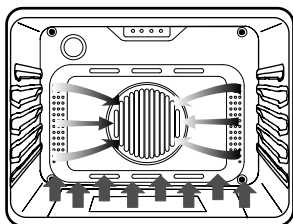
 **Décongeler**

Aucun élément de chauffage n'est utilisé, uniquement le ventilateur à convection est utilisé pour décongeler les aliments.



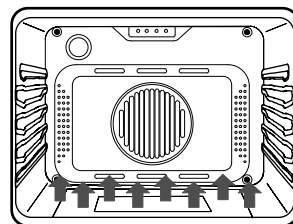
  **Grill ou Maxi Grill**

Le grill utilise la chaleur intense émise depuis l'élément supérieur.



 **Sole Ventilée**

Sole ventilée, conseillée pour cuire soufflés, pizzas et pâtisseries; **la résistance de la sole et la turbine sont en fonction.**



 **Sole**

La sole **résistance inférieure** est principalement utilisée pour achevé une cuisson.

Conseils généraux sur le four

Préchauffage du four

- Préchauffez le four pour les modes de Cuisson, Convection Europ. et Convection Cuisson.
- Sélectionnez une température plus élevée ne réduit pas le temps de préchauffage.
- Le préchauffage est nécessaire pour de bons résultats lorsque vous cuisinez des gâteaux, des biscuits, des pâtisseries et du pain.
- Le préchauffage aidera à saisir les rôtis et à garder la viande juteuse.
- Placez les grilles de four dans leur position appropriée avant le préchauffage.

Suggestions d'utilisation

- Utilisez les tableaux de cuisson comme guide.
- Ne posez pas les plats sur la porte ouverte.
- Utilisez la lumière intérieure du four pour voir la nourriture à travers la fenêtre de la porte du four plutôt que d'ouvrir la porte fréquemment.

Ustensiles

- Les plats en verre absorbent la chaleur. Réduisez la température du four de 25°F (15°C) lorsque vous utilisez des plats en verre.
- Utilisez des plats qui donnent le brunissage désiré. Le type du finissage du plat aide à déterminer le brunissage.
- Les plats métallisés lisses et brillants ou anodisés/antiadhésifs plus pâles réfléchissent la chaleur, donnant un brunissage plus léger, plus délicat. Les gâteaux et les biscuits nécessitent ce type de plat.

- Les plats mats, rugueux, foncés vont absorber la chaleur donnant une croûte plus brune plus croustillante. Utilisez ceux-ci pour les tartes.
- Pour des croûtes croustillantes, brunes, utilisez des plats anodisés/antiadhésifs ou foncés ou en métal mat ou en verre. Des plats isolés peuvent augmenter le temps de cuisson.
- Ne cuisez pas avec le gril vide dans le four, cela pourrait changer la performance de cuisson. Rangez-le en dehors du four.

Condensation du four et température

- Il est normal qu'une certaine quantité d'humidité s'évapore des aliments pendant la cuisson. La quantité dépend de l'humidité contenue dans la nourriture. L'humidité peut se condenser sur toute surface plus froide que l'intérieur du four, comme le tableau de commande.

Cuisson à haute altitude

- Lorsque vous cuisinez à haute altitude, les recettes et les durées de cuisson varient de la norme.

Branchement de 120/240 ou de 120/208 Volt

- La plupart des installations de four auront un branchement de 120/240.
- Si votre four est installé avec une tension de 120/208, le temps de préchauffage peut être légèrement plus long qu'avec une tension de 120/240.

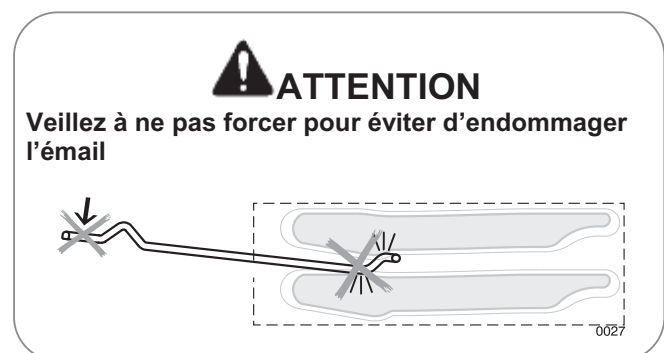
Grilles de four

- Le four est pourvu de guides de grilles à quatre niveaux comme indiqué dans l'illustration Page 39.
- Les positions sont numérotées du bas (n°1) vers le haut (n° 4).
- Vérifiez le tableau des cuissons pour la meilleure position de la grille à utiliser pendant la cuisson.
- Chaque niveau de guide comprend des supports par paire formés dans les parois de chaque côté du four.
- Assurez-vous de toujours placer les grilles avant d'allumer votre four. Assurez-vous que les grilles sont au bon niveau lorsqu'elles sont placées.

Veillez-vous reporter à l'illustration Page 28 si vous avez des questions comme savoir où est le devant de la grille.

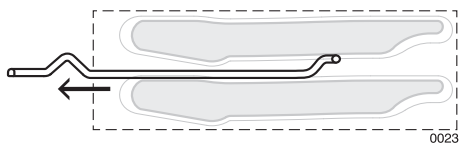
- Les grilles sont dessinées pour s'arrêter lorsqu'elles sont poussées jusqu'à leur limite.

REMARQUE! N'utilisez jamais de feuille en aluminium pour couvrir les grilles ou le fond du four. La chaleur coincée sous l'aluminium peut causer des dégâts au four.

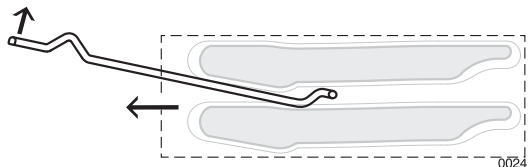


Pour enlever les grilles:

1. Tirez-les vers vous

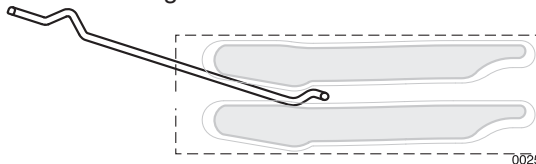


2. Soulevez-les vers devant et ensuite enlever-les

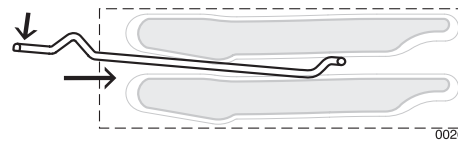


Pour remplacer une grille:

1. Placez l'arrière de la grille entre les guides de niveau de grille



2. En soulevant vers le haut la grille, faites-la glisser tout le long en baissant le devant



Grille rallonge (Optionnel)

- Cette grille facilite l'accès aux aliments cuisants. Elle s'allonge plus que la grille standard pour rapprocher les aliments de l'utilisateur.



ATTENTION

Lorsque la grille est hors du four, les bras latéraux ne se verrouillent pas, ils peuvent s'allonger de façon inattendue si la grille est tirée incorrectement et causes des blessures. **La grille doit être tenue ou tirée en saisissant les côtés.**

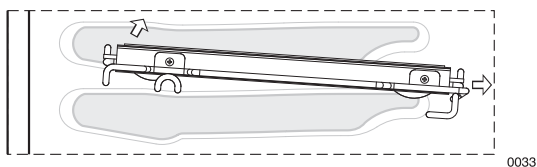
NOTE: Toujours enlever la grille rallonge avant l'autonettoyage..

ATTENTION! Pour éviter les brûlures, tirer complètement la grille et soulever la casserole au-dessus de la poignée au moment de transférer des aliments hors du et dans le four.

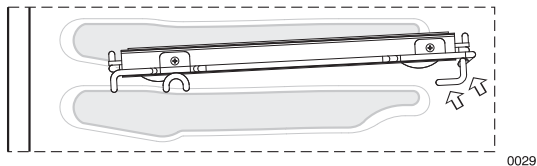
Veuillez-vous reporter à l'illustration Page 28 si vous avez des questions comme savoir où est le devant de la grille.

Retrait du four:

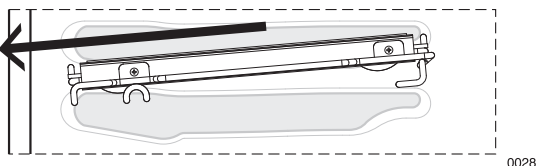
1. Soulever légèrement le devant de la grille et pousser jusqu'à ce que la butée se dégage



2. Soulever l'arrière de la grille jusqu'à ce que le cadre et la butée se dégagent du guide

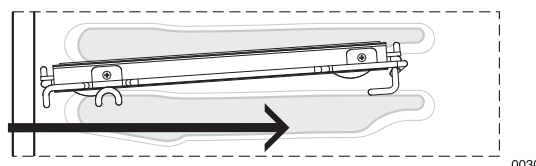


3. Tirer vers le bas et sortir

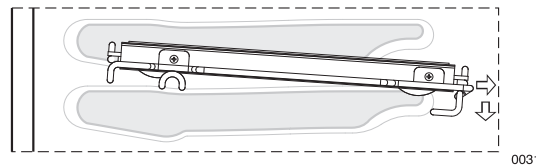


Mise en place dans le four:

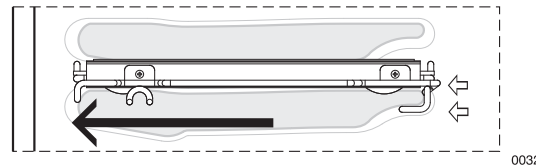
1. Saisir la grille fermement par les côtés. Placer la grille et le cadre au-dessus du guide de grille désiré



2. Pousser au fond jusqu'à ce que l'arrière de la grille se mette en position



3. Tirer les deux sections vers l'avant jusqu'à la butée. La grille doit être droite et non croche



Réglage de la Commande

PROCEDURE	RESULTAT
<p>Pour composer l'heure du jour</p> <p>Branchez l'appareil.</p> <p>Appuyez en même temps sur le bouton A et sur le B tout en réglant l'heure à l'aide des boutons E et F.</p> <p>Quand l'heure recherchée apparaît alors relâchez tous les boutons.</p>	<p>0.00 clignote.</p> <p>L'heure affichée</p>
<p>Réglage du minuteur</p> <p>Appuyez sur le bouton A.</p> <p>A l'aide des boutons E et F réglez l'intervalle de temps désiré.</p> <p>Le bip s'arrête dès qu'on appuie sur n'importe quel bouton. A n'importe quel moment pendant le compte à rebours, le temps restant peut-être visualisé en appuyant sur le bouton A.</p>	<p>Le cadran affiche 0.00.</p> <p>Le cadran affiche l'intervalle de temps.</p> <p>A la fin du temps programmé le bip retentira. Le bip retentira pendant environ 2 minutes sauf s'il est arrêté manuellement.</p> <p>Le bip est arrêté.</p>
<p>Cuisson complètement automatique</p> <p>Réglez le four à la fonction et la température désirée.</p> <p>Appuyez sur le bouton B et programmez la durée = le temps pendant lequel vous désirez que la nourriture cuise, en utilisant les boutons E et F.</p> <p>Appuyez sur le bouton C pour programmer l'heure de fin de cuisson = l'heure à laquelle vous désirez que la cuisson se termine, à l'aide des boutons E et F.</p> <p>Portez les boutons de contrôle sur 0 et appuyez sur le bouton D deux fois.</p>	<p>Le mot AUTO apparaît.</p> <p>Dès lors le four se déclenchera de lui même à l'heure voulue. A la fin du temps de cuisson le bip retentira.</p> <p>Le bip s'arrête et le programme retourne en mode manuel.</p>
<p>Pour vérifier le temps de cuisson restant</p> <p>Pendant toutes les cuissons automatiques vous pouvez vérifier le temps de cuisson restant en appuyant sur le bouton B.</p>	<p>Le temps restant s'affiche.</p>
<p>Pour vérifier la fin de cuisson</p> <p>Pendant toutes les cuissons automatiques vous pouvez vérifier l'heure à la quelle le four s'éteindra en appuyant sur le bouton C.</p>	<p>L'heure de fin de cuisson s'affiche.</p>
<p>Cuisson semi automatique utilisant la durée</p> <p>Choisissez la fonction et la température du four.</p> <p>Appuyez sur le bouton B et programmez la durée = le temps pendant lequel vous désirez que la nourriture cuise, à l'aide des boutons E et F.</p> <p>Portez les boutons de contrôle sur 0 et appuyez sur le bouton D deux fois.</p>	<p>Le mot AUTO apparaît et le symbole de cuisson est allumé. Le four fonctionnera jusqu'à la fin de la durée quand le bip se déclenchera.</p> <p>Le bip s'arrête et le programme retourne en mode manuel.</p>
<p>Cuisson semi automatique utilisant l'heure de fin de cuisson</p> <p>Choisissez la fonction et la température du four. Appuyez sur le bouton C et utilisez les boutons E et F pour fixer l'heure à la quelle vous voulez que la cuisson se termine.</p> <p>Portez le boutons de contrôle sur 0 et appuyez sur le bouton D deux fois.</p>	<p>Le mot AUTO apparaît et le symbole de cuisson est allumé. Le four fonctionnera jusqu'à la fin de la durée du temps quand le bip se déclenchera.</p> <p>Le bip s'arrête et le programme retourne en mode manuel.</p>
<p>Pour effacer un programme</p> <p>Appuyez sur le bouton B et réglez l'heure en appuyant sur le bouton E jusqu'à ce que s'affiche: 00.00.</p> <p>Portez le boutons de contrôle sur 0 et appuyez sur le bouton D.</p>	<p>Le programme sera automatiquement effacé.</p>

Conseils et technique de cuisson

La cuisson est une sorte de cuisson à air chaud. Les éléments supérieur et inférieur sont utilisés pour chauffer l'air mais le ventilateur n'est pas utilisé pour faire circuler la chaleur.

Suivez la recette ou les instructions pour la température de cuisson et la position de la grille. Le temps de cuisson varie avec la température des ingrédients et leur taille, leur forme et la finition du plat de cuisson.

Guides générales

- Pour de meilleurs résultats, cuisiner les aliments, cuisinez sur une simple grille avec au moins 1" - 1½" (2,5 – 3 cm) d'espace entre les plats et les parois du four.
- N'utilisez qu'une grille lorsque vous choisissez le mode cuisson.
- Vérifiez la cuisson au temps minimum.
- Utilisez des plats en métal (avec une finition antiadhésive ou non), en verre résistant à la chaleur, en verre céramique, en poterie ou d'autres plats appropriés au four.
- Lorsque vous utilisez un plat en verre résistant à la chaleur, réduisez la température de 25°F (15°C) par rapport à la température recommandée.
- Utilisez des plats avec ou sans bord.
- Des plats en métal foncé ou avec des finitions non adhésives cuiront plus vite en brunissant plus le met. Des plats isolés ralentiront légèrement le temps de cuisson dans la plupart des cas.
- N'utilisez pas de feuille en aluminium ou de plateaux en aluminium. Une feuille est un excellent isolant de chaleur et donc la chaleur sera attrapée dessous. Cela altère la performance de cuisson et cela endommage la finition du four.
- Evitez de placer sur la porte ouverte des plats.
- Veuillez lire 43 Solution des problèmes de cuisson.

Tableau de cuisson

ALIMENTS	POSITION DE GRILLE	TEMP. °F (°C) (FOUR PRÉCHAUFFE)	TEMPS (MIN)
Gâteau			
Petits gâteaux	2	350 (175)	17-19
Gâteau bundt	1	350 (175)	37-43
Gâteau des anges	1	350 (175)	35-39
Tarte			
2 croûtes, fraîches, 9po	2	375-425 (190-220)	45-55
2 croûtes, fruits surgelés, 9po	2	375 (190)	68-78
Biscuit			
Sucre	2	350-375 (175-190)	6-11
Brisures de chocolat	2	350-375 (175-190)	8-13
Carrés au chocolat (brownies)	2	350 (175)	29-36
Pains			
Pain à levure, 9x5	2	375 (190)	18-22
Petits pains à levure	2	375-400 (190-205)	12-15
Biscuits	2	375-400 (190-205)	11-15
Muffins	2	425 (220)	15-19
Pizza			
Surgelée	2	400-450 (205-235)	23-26
Fraîche	2	425-450 (220-235)	12-15

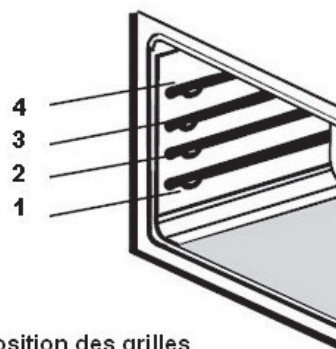
Conseils et techniques de convection européenne

Réduisez les températures de recette de cuisson de 25°F (15°C).

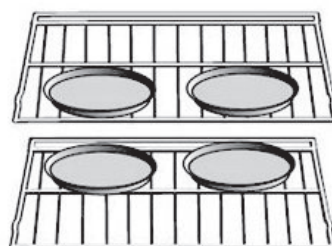
- Pour de meilleurs résultats, il faut cuire les aliments non couverts, dans des plats à bord bas pour mieux profiter de la circulation d'air forcé. Utilisez des plats en aluminium brillant pour de meilleurs résultats à moins que cela soit spécifié autrement.
- Le verre résistant à la chaleur et la céramique peuvent être utilisés. Réduisez encore la température de 25°F (15°C) si vous utilisez un verre résistant à la chaleur, donc une réduction totale de 50°F (30°C).
- Les plats en métal foncé peuvent être utilisés. Notez que la nourriture peut brunir plus vite lorsque vous utilisez un plat en métal foncé.
- Le nombre de grilles utilisées est déterminé par la hauteur des aliments à cuire.
- Les aliments cuits, en général, cuisent extrêmement bien avec la convection. N'essayez pas de convertir des recettes comme les crèmes anglaises, les quiches, les tartes à la citrouille, les tartes au fromage, qui ne tirent pas de bénéfice de la convection. Utilisez le mode de cuisson normal pour ces recettes.
- Plusieurs grilles de cuisson sont disponibles aux positions 1, 2 et 3. Les quatre grilles peuvent être utilisées pour des gâteaux, des biscuits et des biscuits apéritifs.
 - 2 grille de cuisson : Utilisez positions 1 et 3.
 - 3 grille de cuisson : Utilisez positions 2, 3 et 4.
 - Lorsque vous cuisez plusieurs gâteaux en même temps, distribuez les plats de telle façon qu'ils ne soient pas juste l'un au-dessus de l'autre. Pour de meilleurs résultats, placez les gâteaux devant sur la grille du dessus et à l'arrière sur la grille du dessous. (Voyez le dessin à droite). Laissez 1" - 1 1/2" (2,5 - 3 cm).
- Convertir vos propres recettes peut être facile. Choisissez une recette qui marche bien en convection.
- Réduisez la température et le temps de cuisson si nécessaire. Il peut parfois y avoir des essais et des erreurs avant d'arriver au résultat parfait. Gardez des traces de votre technique pour la prochaine préparation à convection.
- Veuillez lire 43 Solution des problèmes de cuisson

Aliments recommandés pour le mode convection européenne :

Biscuits apéritifs Biscuits pour café Gâteaux
 Biscuits (2 à 4 grilles) levure pains
 Choux à la crème
 Popovers
 Casseroles et Entrées un plat
 Plats à four (grille positions 1, 2, 3)
 Aliments levés à la levure (Soufflés, Meringue,
 Desserts garnis de meringue, Gâteaux ange, Gâteaux mousseline)



Position des grilles



Grille 3

Grille 1

Positions des modules plusieurs grilles

Conseils rapides et faciles de recette

Convertir de la **CUISSON** à la **CONVECTION EUROPÉENNE**:

- Réduisez la température de 25°F (15°C).
- Utilisez le même temps de cuisson que la cuisson normale si la durée est de 10 à 15 minutes.
- Les aliments avec un temps de cuisson de moins de 30 minutes doivent être vérifiés pour leur cuisson 5 minutes plus tôt que dans les recettes standard.
- Si la nourriture cuit plus de 40 - 45 minutes, réduisez le temps de cuisson de 25%.

Tableau de convection européenne

Réduisez la température standard des recettes de 25°F(15°C) pour la convection européenne
Les températures ont été réduites dans ce tableau.

ALIMENTS	POSITION DE GRILLE	TEMP. °F (°C) (FOUR PRÉCHAUFFE)	TEMPS (MIN)
Gâteau			
Petits gâteaux	2	325 (160)	17-19
Gâteau bundt	1	325 (160)	37-43
Gâteau des anges	1	325 (160)	35-39
Tarte			
2 croûtes, fraîches, 9po	2	350-400 (175-205)	45-55
2 croûtes, fruits surgelés, 9po	2	350 (175)	68-78
Biscuit			
Sucre	2	325-350 (160-175)	6-11
Brisures de chocolat	2	325-350 (160-175)	8-13
Carrés au chocolat (brownies)	2	325 (160)	29-36
Pains			
Pain à levure, 9x5	2	350 (175)	18-22
Petits pains à levure	2	350-375 (175-190)	12-15
Biscuits	2	350-375 (175-190)	11-15
Muffins	2	400 (205)	15-19
Pizza			
Surgelée	2	375-425 (190-220)	23-26
Fraîche	2	400-425 (205-220)	12-15

Ce tableau est un guide. Suivez votre recette ou les directions de l'emballage et réduisez les températures de façon appropriée.

Conseils et techniques pour le convection grill

- Placez le gril dans la position appropriée avant d'allumer votre four.
- Utilisez le gril à convection avec **la porte fermée**.
- Ne pas préchauffé pour le four.
- Utilisez le plat de rôtissage à 2-pièces.
- Tourner les viandes une fois à mi-cuisson du temps de cuisson recommandé (voir le tableau de gril à convection).

Tableau de convection grill

ALIMENTS ET ÉPAISSEUR	POSITION DE GRILLE	REGLAGE DU GRIL °F (°C)	TEMP. INTERNE °F (°C)	TEMPS CÔTÉ 1 (MIN.)*	TEMPS CÔTÉ 2 (MIN.)*
Beouf					
Steak (1-½po ou plus)					
Médium saignant	2	450 (235)	145 (65)	12-14	11-13
Médium	2	450 (235)	160 (71)	15-17	13-15
Bien cuit	2	450 (235)	170 (77)	18-20	16-17
Hamburgers (plus que 1 po)					
Médium	3	550 (290)	160 (71)	9-11	5-8
Bien cuit	3	550 (290)	170 (77)	11-13	8-10
Volaille					
Poitrine (avec os)	3	450 (235)	180 (82)	16-18	14-16
			(Cuisse)		
Cuisses	3	450 (235)	170 (77)	14-16	12-14
Porc					
Porc Cotelettes (1¼po ou plus)	2	450 (235)	160 (71)	12-14	13-15
Saucisses fraîches	3	450 (235)	160 (71)	4-6	3-5

* Temps de gril à convection sont approximatifs et peuvent varier

Conseils et techniques de grill

- Placez le gril dans la position appropriée avant d'allumer votre four.
- Utilisez le gril à convection avec **la porte fermée**.
- Ne pas préchauffé pour le four.
- Utilisez le plat de rôtissage à 2-pièces.
- Enduisez les viandes d'huile de cuisson ou du beurre pour qu'elles n'attachent pas.
- Tourner les viandes une fois à mi-cuisson du temps de cuisson recommandé (voir le tableau grill).

Tableau de grill

ALIMENTS ET ÉPAISSEUR	POSITION DE GRILLE	REGLAGE DU GRIL	TEMP. INTERNE °F (°C)	TEMPS CÔTÉ 1 (MIN.)*	TEMPS CÔTÉ 2 (MIN.)*
Beuf					
Steak (¾ à 1po)					
Médium saignant	3	MAX (290°C)	145 (63)	5-7	4-6
Médium	3	MAX (290°C)	160 (71)	6-8	5-7
Bien cuit	3	MAX (290°C)	170 (77)	8-10	7-9
Hamburgers (¾ à 1po)					
Médium	3	MAX (290°C)	160 (71)	7-9	5-7
Bien cuit	3	MAX (290°C)	160 (71)	8-10	7-9
Volaille			170 (77)		
Poitrine (avec os)	3	450°F (230°C)		14-16	14-16
Cuisses (bien cuit)	3	450°F (230°C)	170 (77)	28-30	13-15
Porc			180 (82)		
Porc Cotelettes (1po)	3	MAX (290°C)	160 (71)	7-9	5-7
Saucisses fraîches	3	MAX (290°C)	160 (71)	5-7 3-5	
Tranche de jambon (½po)	3	MAX (290°C)	160 (71)	3-5 4-6	
Seafood					
Fruits de mer	3	500°F (260°C)	Cuire jusqu'à opacité et que l'aliment se défasse facilement avec une fourchette	10-14	Ne pas tourner
Filets de poisson (1po)					
Beurrés					
Agneau					
Côtelettes (1po)					
Médium saignant	3	MAX (290°C)	145 (63)	5-7	4-6
Médium	3	MAX (290°C)	160 (71)	6-8	5-7
Bien cuit	3	MAX (290°C)	170 (77)	8-10	7-9
Pain					
À l'ail (1po) tranches	4	MAX (290°C)		2-2,30	
	3	MAX (290°C)		4-6	

* Temps de grill à convection sont approximatifs et peuvent varier

Guide de température de service de la FSIS (Service d'inspection et securute des aliments USDA)

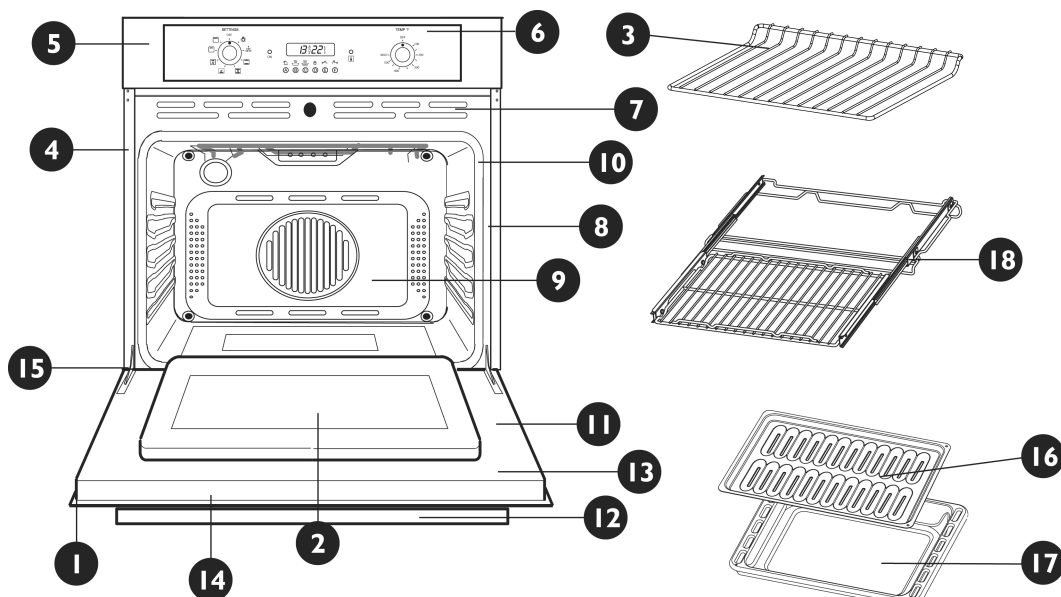
140°F(60°C)	Jambon précuit (pour réchauffer)	165°F(74°C)	Farce (seule ou dans une voaille)
145°F(63°C)	Bœuf, veau, agneau frais (médium saignant)		Restes, casseroles
160°F(71°C)	Viande hachée et mélange de viande (bœuf, porc, veau, agneau)	170°F(77°C)	Bœuf, veau, agneau frais (bien cuit)
	Bœuf, veau, agneau frais (médium saignant)		Poitrine de volaille
	Porc frais (médium)		Porc frais (bien cuit)
	Jambon Frais (non cuit)	180°F(82°C)	Poulet et dinde (entier)
Platsaux oeufs	Volaille (cuisses, ailes)		
165°F(74°C)	Viande hachée et mélange de viande (dinde, poulet)		Canard et oie

Remarque : oeufus (seuls,non dans une recette) - cuire jusqu'à ce que le jaune et le blanc soient fermes.

Entretien général du four

Comment utiliser le tableau de nettoyage du four

1. Repérez le chiffre de la partie à nettoyer dans l'illustration de cette page.
2. Trouvez le nom de cette partie dans le tableau.
 - Utilisez la méthode de nettoyage dans la colonne de gauche si le four est noir ou blanc.
 - Utilisez la méthode de nettoyage dans la colonne de droite si le four est en acier inoxydable.
3. Faites concorder le chiffre avec la méthode de nettoyage de la page suivante.



Tabelau de nettoyage du four

Pièce		Méthode de nettoyage		Pièce		Méthode de nettoyage	
		Four noir/blanc	Four acier inoxydable			Four noir/blanc	Four acier inoxydable
1	Cadre de porte	E	E	11	Porte de four intérieure	E	E
2	Fenêtre de porte intérieure	F	F	12	Poignée de porte	D	D
3	Grilles de four démontable	A	A	13	Ouvertures de refroidissement de la porte	E	E
4	Habillage latérale	D	D	14	Porte avant	D	D
5	Habillage du tableau de commande	C	G	15	Habillage du four	D	D
6	Tableau de commande	C	C	16	Grille de plat de gril	E	E
7	Ouvertures de refroidissement du four	E	E	17	Arrière de plat de gril	E	E
8	Cadre avant du four	E	E	18	Grille rallonge	A	A
9	Cavité du four	E	E				
10	Joint de maille	B	B				

Finitions du four / méthodes de nettoyage

Le four entier peut être nettoyé de façon sûre avec une éponge savonneuse, puis rincé et séché. Si des résidus excédentaires ne partent pas, suivez les méthodes de nettoyage ci-dessous.

- Utilisez toujours le chiffon le plus doux possible.
- Frottez les finitions en métal dans la direction du grain.
- Utilisez des chiffons, des éponges ou des tissus en papier doux et propres.
- Rincez le tout avec un minimum d'eau pour qu'elle ne coule pas dans les fentes de la porte.
- Essayez pour éviter les traces d'eau.

Les nettoyeurs dans la liste ci-dessous indiquent les types de produits à utiliser ne sont qu'à titre indicatif. Utilisez tous les produits selon les indications de l'emballage.

<i>Pièce</i>	<i>Méthode de nettoyage</i>
A Chromé	Lavez avec de l'eau chaude savonneuse. Rincez et séchez soigneusement. Ou, frottez légèrement avec du Soft Scrub®, Bon-Ami®, Comet®, Ajax®, Brillo®, ou les chiffons S.O.S.®. Les nettoyeurs Easy Off® ou Dow Oven Cleaners® (formule four froid) peuvent être utilisés, mais ils peuvent noircir ou décolorer le chromé. Les grilles peuvent être nettoyées dans le four pendant l'auto-nettoyage. Cependant, elles vont perdre leur brillant et devenir grises de façon permanente.
B Tressage en fibre de verre	NE NETTOYEZ PAS LE JOINT A LA MAIN.
C Verre	Vaporisez du Windex® ou du Glass Plus® d'abord sur le chiffon, ensuite essayez pour nettoyer. Utilisez du Fantastik® ou du Formula 409® pour enlever les éclaboussures de graisse.
D Peint	Nettoyez avec une eau savonneuse ou appliquez du Fantastik® ou du Formula 409® d'abord sur une éponge propre ou sur des feuilles en papier et essayez pour nettoyer. Evitez d'utiliser des nettoyeurs en poudre ou des tampons métalliques à récurer.
E Porcelaine	Essayez immédiatement les éclaboussures acides comme les jus de fruit, le lait, les tomates avec un chiffon sec. N'utilisez pas d'éponge/chiffon humide sur de la porcelaine chaude. Lorsqu'elle est froide, nettoyez avec de l'eau chaude savonneuse ou appliquez du Soft Scrub® ou du Bon-Ami® sur une éponge humide. Rincez et séchez. Pour les tâches récalcitrantes, utilisez doucement du Brillo®, ou les chiffons S.O.S.®. Il est normal que la porcelaine se craquèlent très légèrement (de fines lignes) avec l'âge à cause des expositions à la chaleur et aux résidus alimentaires.
F Verre réfléchissant	Nettoyez avec de l'eau chaude savonneuse ou un nettoyeur en plastique. Frottez vigoureusement avec du vinaigre, du Windex®, de l'ammoniac, ou du Bon-Ami®. N'UTILISEZ PAS D'ABRASIFS FORTS.
G Acier inoxydable	Essayez toujours avec un chiffon ou un nettoyeur avec grain. Nettoyez avec une éponge savonneuse ensuite rincez et séchez. Ou essayez avec du Fantastik® ou du Formula 409® vaporisé sur des feuilles en papier. Protégez ou polissez avec du Stainless Steel Magic® et un chiffon doux. Enlevez les taches d'eau avec un chiffon imbibé de vinaigre blanc. Utilisez du Zud®, Cameo®, Bar Keeper's Friend® ou RevereWare Steel Cleaner®, pour enlever la décoloration due à la chaleur.
H Sonde (si existe)	Nettoyez la sonde à la main avec un détergent et de l'eau chaude. Ensuite rincez et séchez. Ne la trempez pas ou ne la mettez pas au lave-vaisselle.

Entretien à faire soi-même
Retrait de la porte du four

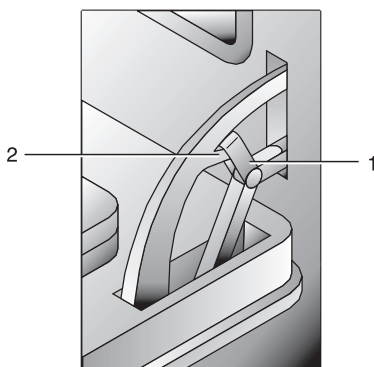
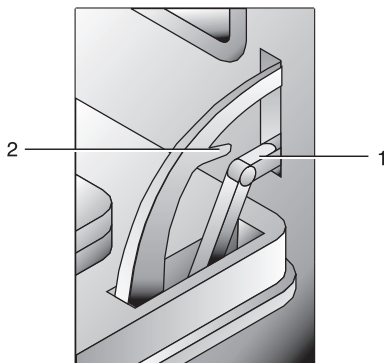


AVERTISSEMENT

- Assurez-vous que le four est froid et qu'il est bien éteint avant d'enlever la porte sinon vous pouvez vous électrocuter ou vous brûler.
- La porte du four est lourde et fragile. Utilisez vos deux mains pour enlever la porte du four. Le devant est en verre. Manipulez-la avec soin pour ne pas la briser.
- Ne saisissez que les côtés de la porte du four. Ne saisissez pas la poignée car elle pourrait glisser et provoquer des dégâts ou vous blesser.
- Si vous ne tenez pas la porte du four de façon sûre et correctement, cela pourrait provoquer des dégâts ou blesser des gens.

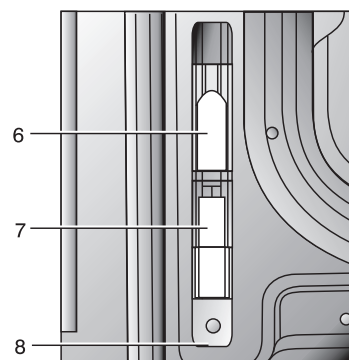
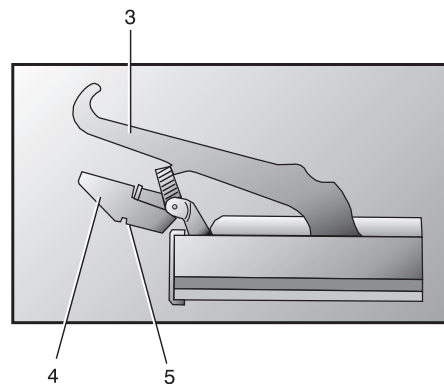
Pour enlever la porte

1. Ouvrez la porte complètement.
2. Soulevez les fixations de la charnière (1) de la fente (2).
3. Saisissez la porte fermement des deux côtés en utilisant les deux mains et fermez la porte.
4. Saisissez fermement ; la porte est lourde.
5. Placez la porte dans un endroit adéquat.



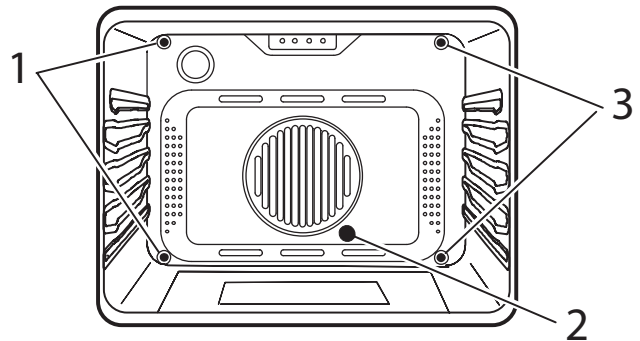
Pour remettre la porte

1. Insérez les bras de montant (3) des deux charnières dans les fentes supérieures (6) et les montants inférieurs (4) dans les fentes inférieures (7). Les interstices (5) doivent s'accrocher sur les lèvres (8).
2. Insérez les fixations de la charnière (1) vers le bas dans leur position.
3. Fermez et ouvrez la porte doucement pour vous assurer qu'elle est correctement mise en place.



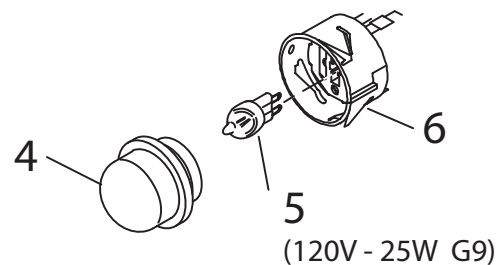
Entretien à faire soi-même
Remplacement d'une ampoule du four

- Chaque four est équipé de un halogène situés sur la paroi du fond du four.
- Les lumières s'allument lorsque le four est dans un cycle de cuisson.
- Chaque assemblage d'éclairage comprend une lentille amovible, une lampe à incandescence ainsi qu'une boîte de douille qui sont fixés. Voyez l'illustration de cette page.
- Le remplacement de l'ampoule est considéré comme un entretien de routine.



Pour remplacer une ampoule

1. Lisez les AVERTISSEMENTS de cette page.
2. Coupez l'alimentation à la source principale (fusible ou disjoncteur).
3. Dans les fours à convection, enlevez le couvercle du ventilateur en dévissant les quatre vis.
4. Enlevez le couvercle en le dévissant.
5. Enlevez l'ampoule de sa douille en la tirant.
6. Remplacez l'ampoule avec une nouvelle. Evitez de toucher l'ampoule avec vos doigts, car la graisse des mains peut endommager l'ampoule lorsqu'elle devient chaude.
7. L'ampoule est de type halogène: employer un avec les memes Volt et Watt (**voir les figures de cette page**).
8. Vissez la lentille.
9. Remplacez le couvercle du ventilateur si le four en est pourvu.



Rebranchez l'alimentation principale à la source principale (fusible ou disjoncteur).



AVERTISSEMENT

- Assurez-vous que le four et que les lumières sont froides et que le four est bien éteint avant de remplacer les ampoules. Sinon vous risquez de vous électrocuter ou de vous brûler.
- Les lentilles doivent être remises en place lorsque vous utilisez le four.
- Les lentilles servent à protéger l'ampoule pour qu'elle ne se casse pas.
- Les lentilles sont en verre. Manipulez-les avec précaution pour éviter de les casser. Les verres cassés peuvent blesser.

Solution pour des problèmes de cuisson

Avec la cuisson comme la cuisson à convection, des problèmes de cuisson peuvent arriver pour de nombreuses raisons autre qu'un mauvais fonctionnement du four. Vérifiez le tableau ci-dessous qui répond à la plupart des problèmes communs. Etant donné que la taille, la forme et le matériel de cuisson affectent les résultats de la cuisson, la meilleure solution est de remplacer les vieux plats qui sont devenus sombres et qui se sont voilés avec le temps et leur utilisation. Vérifiez les tableaux de cuisson de la page 34 à 38 pour une position correcte des grilles et du temps de cuisson

<i>Problème de cuisson</i>	<i>Cause</i>
Aliment brunissant de façon hétérogène	<ul style="list-style-type: none"> • Four non préchauffé • Papier aluminium sur la grille ou au fond du four • Plat de cuisson trop grand pour la recette • Plat touchant aux autres plats ou la paroi du four
Aliment trop brun au fond	<ul style="list-style-type: none"> • Four non préchauffé • Utilisation de plat en verre, mat ou foncé • Position de grille incorrecte • Plat touchant aux autres plats ou la paroi du four
Aliment sec ou ayant excessivement rétréci	<ul style="list-style-type: none"> • Température du four trop élevé • Temps de cuisson trop long • Porte du four trop souvent ouverte • Plat trop grand
Aliment cuisant ou rôtissant trop lentement	<ul style="list-style-type: none"> • Température du four trop basse • Four non préchauffé • Porte du four trop souvent ouverte • Scellé hermétiquement avec du papier aluminium • Plat trop petit
Croûte à tarte non brunie au fond ou croûte non cuite	<ul style="list-style-type: none"> • Temps de cuisson pas assez long • Utilisation de plat en acier brillant • Position de grille incorrecte • Température du four trop basse
Gâteau pâle, plat, ou non cuit à l'intérieur	<ul style="list-style-type: none"> • Température du four trop basse • Temps de cuisson incorrect • Gâteau vérifié trop tôt • Porte du four trop souvent ouverte • Plat trop grand
Gâteau haut au centre avec craquelure sur le dessus.	<ul style="list-style-type: none"> • Température du four trop élevée • Temps de cuisson trop long • Plat touchant aux autres plats ou la paroi du four • Position de grille incorrecte • Plat trop petit
Bords de croûte de tarte trop bruns	<ul style="list-style-type: none"> • Température du four trop élevée • Bords de croûte trop minces

Résolution des problèmes de fonctionnement

Avant d'appeler l'assistance ou le service après-vente, veuillez bien vérifier la table suivant « Solution des problèmes ..». Ceci peut vous faire économiser le coût d'un appel à un centre de service. Si vous avez cependant besoin d'aide, suivre les indications cidessous. Lorsque vous appelez, soyez prêt à indiquer la date d'achat, le modèle complet ainsi que le numéro de série de votre appareil. Ces informations nous permettront de mieux répondre à vos questions.

<i>Problème de four</i>	<i>Solution des problèmes par étape</i>
Le display du four ne s'éteint pas	Coupez l'alimentation à la source principale (fusible ou disjoncteur). Remettez le disjoncteur. Si le problème persiste, téléphonez au centre de service agréé.
Ventilateur de refroidissement continuant à fonctionner une fois le four éteint	Le ventilateur s'éteint automatiquement lorsque les composants électroniques sont suffisamment froids.
Le four ne chauffe pas	Vérifiez le disjoncteur et les fusibles de chez vous. Vérifiez que la température du four est correctement sélectionnée.
Le four ne cuit pas uniformément	Reportez-vous aux tableaux de cuisson pour la position des grilles recommandée. Réduisez toujours votre recette de 25 F (15 C) lorsque vous cuisinez avec le mode de cuisson à convection.
L'éclairage du four ne fonctionne pas correctement	Remplacez ou réinsérez l'ampoule si elle est desserrée ou en panne. Voyez Page 42. Ne touchez pas l'ampoule avec vos doigts car cela peut la faire griller.
Impossibilité d'enlever le couvercle de la lentille du four	Il se peut qu'il y ait une accumulation de saleté autour du couvercle de la lentille. Essayez-le avec un chiffon sec et propre avant d'essayer d'enlever le couvercle de la lentille.
Humidité excessive	Lorsque vous utilisez le mode cuisson , préchauffez d'abord le four. La cuisson à convection éliminent l'humidité du four (c'est un des avantages de la convection).
Eclats de porcelaine	Lorsque vous enlevez et remplacez les grilles, inclinez-les toujours vers le haut et ne forcez pas pour éviter les éclats de porcelaine.

Données de service

Pour un centre de service autorisé ou de l'information sur les pièces, voir le paragraphe « Fulgor Warranty .. ».

L'emplacement du numéro de série sur le produit est visible sur la porte du four lorsque la porte du four est ouverte. Il est situé du côté gauche, centré verticalement juste en dessous de la cavité du four. Voyez Page 28. Notez cette information dans l'espace prévu à cet effet ci-dessous. Gardez votre facture pour la validation de votre garantie.

Numéro de modèle _____ Numéro de série _____ Date d'installation ou Occupancy _____

GARANTIE Fulgor Milano pour l'électroménager**Durée de la garantie :**

Fulgor Milano garantit pour le Canada et les Etats-Unis continentaux 24 mois de garantie totale depuis la date d'achat indiquée sur la facture à l'utilisateur final. Pendant cette période **Fulgor Milano** payera le coût des pièces de remplacement et du travail fourni pour réparer l'appareil.

Pour une preuve de garantie, veuillez garder la facture d'achat originale et le bon de livraison.

Pour obtenir ce service sous cette garantie, vous devez :

1. Veuillez contacter Fulgor-Milano North America Service par courriel à l'adresse fulgor@adcoservice.com ou par numéro vert au 1-855-4-fulgor (855-438-5467) afin de bénéficier des services après-vente pour votre électroménager.
2. Fournissez une copie de votre reçu original de vente.
3. Laissez à Fulgor un temps raisonnable pour enregistrer la réclamation avant que le produit ou toute autre pièce soit enlevée.

Couverture :

Lisez le Manuel d'utilisation et d'entretien avant d'utiliser l'appareil pour la première fois ! Cette garantie s'applique aux appareils **Fulgor Milano** utilisés uniquement pour une utilisation privée. Nos appareils ne sont pas conçus pour une utilisation commerciale. Cette garantie est uniquement valable pour le propriétaire d'origine et elle n'est pas transférable.

Pendant la période garantie **Fulgor Milano**, à sa discrétion, réparera ou échangera le produit gratuitement pour les pièces ou pour le travail.

Cette garantie ne couvre pas

1. Endommagement de l'appareil provoqué intentionnellement ou par accident
2. Installation incorrecte ou mauvais branchement à l'alimentation électrique
3. Dommages causés par la chaleur excessive produite par des sources extérieures, dommages causés par l'eau.
4. Dommages dus au transport.
5. Si l'appareil a été modifié
6. Dysfonctionnements dus à une utilisation incorrecte
7. Fêlure ou rayures normales dues à l'utilisation de la surface de verre en céramique
8. Ampoules endommagées ou fusibles extérieurs.
9. Fonctionnement dans des conditions commerciales ou professionnelles
10. Foudre, incendie, inondations ou autres catastrophes naturelles
11. Si une pièce ou un accessoire a été rajouté sur l'appareil qui ne soit pas un original fourni par **Fulgor Milano**
12. Les réclamations cosmétiques comme les rayures sur les pièces en acier inoxydable, dommages à la poignée, etc. sont comprises uniquement dans une garantie limitée, et doivent être réclamées dans les 2 semaines après la date d'achat.

Cette garantie ne couvre que l'appareil et ses composants. Les endommagements de tout élément en contact direct ou placé près de l'appareil sont généralement exclus de la garantie. Les charges des parties tiers autres que les services après-ventes **Fulgor Milano** ne seront pas acceptés.

Si l'appareil faisait preuve de dysfonctionnement à cause de la main d'œuvre ou du matériel, l'utilisateur final a uniquement une garantie de réparation ou de remplacement. Dans aucune circonstance, **Fulgor Milano** pourrait être responsable de perte ou d'endommagement, qu'il soit direct, indirect, ou accidentel, découlant de l'utilisation ou de la mauvaise utilisation de l'appareil. Afin d'obtenir les droits de garantie, la facture originale doit être fournie au Département des entretiens techniques pour vérifier la date d'achat. Certains Etats ne permettent pas de limitations des endommagements accidentels ou indirects, par conséquent les limitations susmentionnées ou exclusions ne s'appliquent pas.

Dans le cas des réclamations techniques et pour demander un support de service, veuillez contacter d'abord le revendeur où votre appareil Fulgor Milano a été acheté !

Fulgor Milano

After Sales Service Support & Warranty Information:
1-855-4-fulgor (855-438-5467)
fulgor@adcoservice.com

Table of Contents

	Page		
Precauciones de seguridad	48	Acabados del horno / métodos de limpieza	62
Instrucciones de seguridad	49	Quitar la puerta del horno	63
<i>Precauciones de seguridad para el horno</i>	<i>49</i>	Cambiar una lámpara del horno	64
Características de su horno	50	<i>Para reemplazar la bombilla</i>	<i>64</i>
Paneles de control	51	Resolución de los problemas de horneado	65
<i>Programador electrónico</i>	<i>51</i>	Resolución de los problemas de funcionamiento	
Generalidades del horno	51	66
Modos del horno	52	FULGOR GARANTÍA para electrodomésticos	67
Consejos generales para el horno	53		
<i>Precalentar el horno</i>	<i>53</i>		
<i>Sugerencias para el uso</i>	<i>53</i>		
<i>Recipientes</i>	<i>53</i>		
<i>Condensación y temperatura del horno</i>	<i>53</i>		
<i>Horneado a gran altitud</i>	<i>53</i>		
<i>Conexión de 120/240 contra 120/208 Voltios</i>	<i>53</i>		
<i>Rejillas del horno</i>	<i>53</i>		
<i>La rejilla extensible (Opcional)</i>	<i>54</i>		
La Configuración de Control	55		
Consejos y técnicas de horneado	56		
<i>Tabla de cocción por horneado</i>	<i>56</i>		
Consejos y técnicas de horneado de convección			
.....	57		
<i>Tabla de horneado de convección</i>	<i>58</i>		
Consejos y técnicas del asado de convección	59		
<i>Tabla de asado de convección</i>	<i>59</i>		
Consejos y técnicas del asado	60		
<i>Tabla de asado</i>	<i>60</i>		
Cuidado general del horno	61		
<i>Cómo usar la tabla de la limpieza del horno</i>	<i>61</i>		
<i>Tabla de limpieza</i>	<i>61</i>		



IMPORTANTE

*Electrodoméstico y horno
Precauciones de seguridad*

Por favor, lea todas las instrucciones antes de utilizar este aparato.



Advertencia

Su nuevo horno Bosh se ha diseñado para ser un aparato seguro y fiable si se usa de la manera apropiada. **Lea atentamente todas las instrucciones antes de utilizar este aparato. Estas precauciones reducirán los riesgos de sufrir quemaduras, descargas eléctricas, fuego y lesiones. Cuando se utilizan aparatos de cocina es preciso seguir algunas precauciones básicas de seguridad, incluyendo las siguientes:**

Un técnico cualificado tiene que instalar correctamente este aparato y realizar una buena puesta a tierra. Conecte solo a una puesta a tierra apropiada. Vea las instrucciones de Conexión de puesta a tierra que se encuentran en las Instrucciones de Instalación.

- Solo un técnico calificado debe dar el servicio a este aparato. Póngase en contacto con el centro de servicio autorizado más cercano para la inspección, reparación y ajustes.
- No repare o reemplace ninguna parte del horno a menos que le haya sido recomendado específicamente. Solicite el servicio de un centro autorizado.
- No utilice esta unidad si no funciona bien o si está dañada hasta que un técnico del servicio autorizado la haya inspeccionado.
- Instale o coloque este aparato de acuerdo con las instrucciones de instalación.
- Use este horno solo para lo que lo ha concebido su fabricante. Si tiene alguna duda, contacte con él.
- No cubra ni bloquee las aberturas de este aparato.
- Use este aparato solo el uso para el que ha sido concebido como se describe en este manual. No use productos químicos corrosivos, vapores, productos inflamables o no alimenticios en este aparato. Este tipo de horno ha sido diseñado específicamente para calentar o cocinar alimentos. No está diseñado para uso industrial o de laboratorio. El uso de productos químicos corrosivos cuando calienta o limpia el horno dañará el aparato.
- En el caso de encenderse la ropa o el cabello, **ÉCHESE AL PISO y DESE VUELTAS DE INMEDIATO** para apagar las llamas.

- No permita que los niños utilicen este aparato sin la supervisión de un adulto. Los niños y animales domésticos no deben quedarse solos cerca del horno cuando se está utilizando el aparato. No permita nunca que los niños se sienten o se pongan de pie sobre ninguna parte del horno.



PRECAUCIÓN

- No deje cosas que puedan atraer la atención de los niños encima del horno. Si se suben al horno para alcanzar estas cosas podrían sufrir graves daños.

Para reducir el riesgo de fuego en el interior del horno:

1. No guarde materiales inflamables en el interior o cerca del horno.
2. No use agua cuando se produce un incendio de grasa. Apague el fuego con un extintor químico de polvo o espuma.
3. Se recomienda tener un extintor a mano y muy a la vista cerca de cualquier electrodoméstico, que se pueda usar rápidamente.
4. No recueza demasiado los alimentos. Vigile el horno con cuidado cuando utiliza materiales de papel, plástico u otros materiales combustibles.
5. No utilice el horno para almacenar cosas. Nunca deje productos de papel, utensilios de cocina o alimentos en su interior cuando no se usa.
6. En caso de que se enciendan materiales dentro del horno, mantenga cerrada la puerta. Apague el horno y desconecte el circuito en la caja del cortacircuito.
7. No obstruya los conductos de ventilación del horno.
8. Asegúrese de que funciona el ventilador cuando el horno está funcionando. En caso contrario no utilice el horno. Llame a un centro de servicio autorizado.
9. Nunca utilice el horno para calentar una habitación. Esto podría dañar partes del horno.
10. Use ropa apropiada por cuestión de seguridad. Nunca use prendas sueltas o que tengan mangas largas mientras utiliza este aparato.



IMPORTANTE

*Electrodoméstico y horno
Instrucciones de seguridad*

Precauciones de seguridad para el horno

- Mantenga recogido el cabello largo.
- No toque elementos de calentamiento o superficies internas del horno.
- Los elementos de calentamiento podrían estar calientes incluso si presentan un color oscuro. Las superficies internas del horno podrían estar lo suficientemente calientes como para causar quemaduras.
- Durante y después del uso, no permita que la ropa u otros materiales inflamables entren en contacto con los elementos de calentamiento o con las superficies internas del horno hasta que no se hayan enfriado.
Otras superficies del equipo podrían calentarse lo suficiente para provocar quemaduras. Estas superficies son por ejemplo, las aperturas de ventilación del horno y las superficies situadas a proximidad de estas aperturas, las puertas del horno y las ventanas de las puertas del horno.
- La moldura de la parte superior y de los lados de la puerta del horno podría estar lo suficientemente calientes como para provocar quemaduras.
- Tenga cuidado cuando abra la puerta del horno. Abra la puerta ligeramente para dejar escapar el aire o el vapor caliente antes de sacar los alimentos.
- No caliente recipientes de alimentos cerrados. La presión acumulada podría hacer reventar el recipiente o provocar lesiones.
- Coloque siempre las rejillas del horno en el lugar deseado mientras el horno esté frío. Si tiene que mover una rejilla cuando el horno está caliente, evite el contacto del asa de la olla con los elementos calientes.
- Use siempre asas secas para las ollas. Las asas mojadas o húmedas sobre superficies calientes pueden provocar quemaduras por el vapor. Evite el contacto de las asas con los elementos de calentamiento. No use toallas o trapos voluminosos.



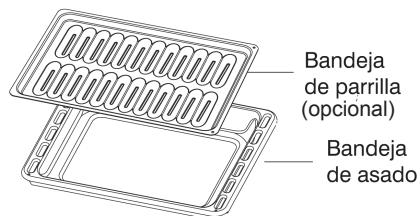
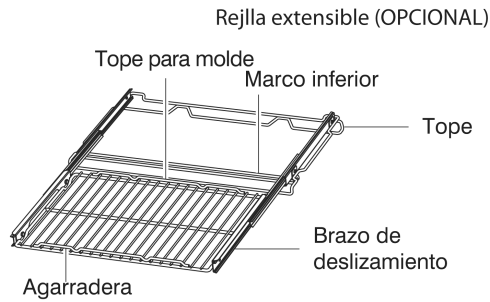
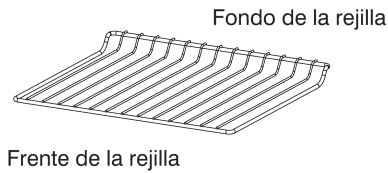
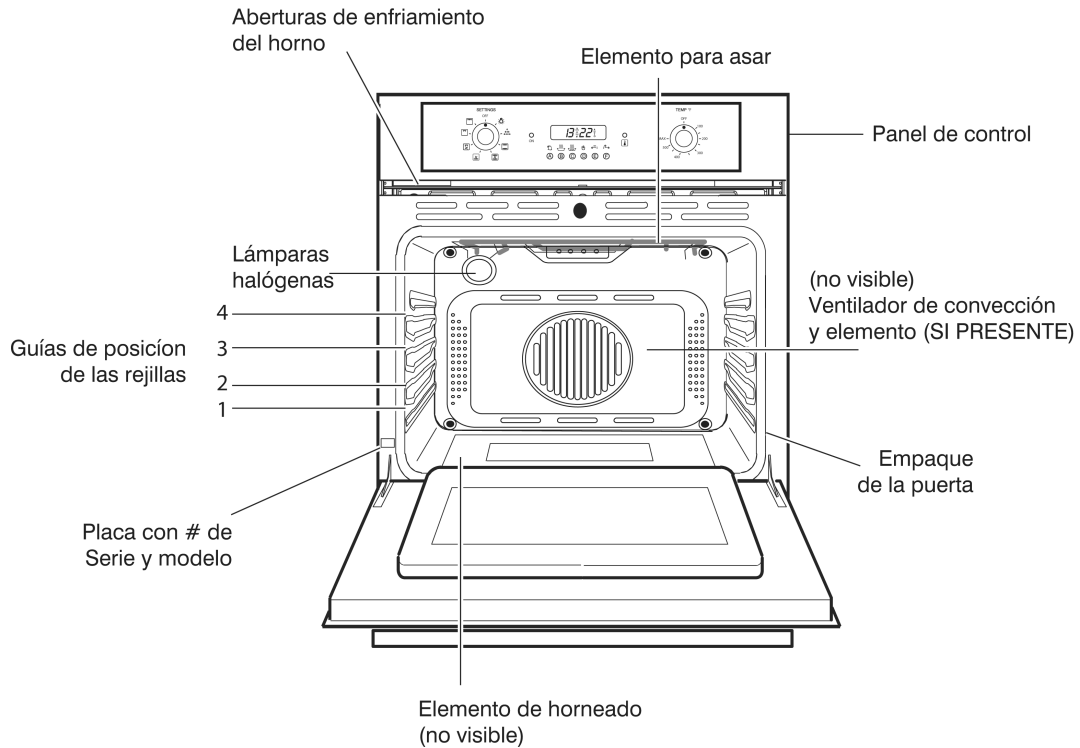
ADVERTENCIA

La Ley del Estado de California respecto al Agua Potable y Tóxicos requiere que las empresas adviertan a sus clientes de la exposición potencial ante sustancias conocidas que provocan cáncer, defectos de nacimiento u otros daños de reproducción.

La eliminación de residuos durante la autolimpieza genera algunos derivados que están en esta lista de sustancias.

Para reducir la exposición a estas sustancias, siempre haga funcionar este horno siguiendo las instrucciones de este manual y ventile la cocina durante e inmediatamente después de la autolimpieza.

Características de su horno



Paneles de control

La interfaz del usuario tiene las siguientes características: pantalla, indicadores luminosos de precalentamiento, interruptores de control, perillas de modo de cocción y temperatura.

Programador electrónico

El programador opera en las 12 horas.

A Cuentaminutos

B Duración

C Hora de fin de funcionamiento

D Manual

E Retramiento de la hora sobre el display (visor)

F Adelantamiento de la hora sobre el display

NOTA

Cuando se usan las teclas E o F, la hora visualizada viene antes regulada lentamente, después la velocidad aumenta automáticamente.

Todos los programas vienen introducidos (fijados) aproximadamente 1 segundo después de la regulación.



Generalidades del horno

Antes de usar su horno por primera vez quite el embalaje y los materiales que no forman parte del horno o de los hornos. Cualquier material de este tipo que se deje en el horno (hornos) puede fundirse y /o quemarse cuando se usa el horno.

Ventilador de convección

El ventilador de convección trabaja durante el modo de convección.

Ventilador de enfriado de los componentes

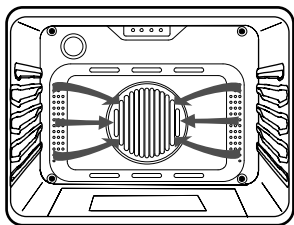
Se activa durante todos los modos de cocción para enfriar los componentes internos y la superficie de la puerta exterior. El aire se expulsa a través de las aberturas colocadas por encima de la puerta del horno. Sigue funcionando hasta que los componentes se han enfriado lo suficiente.

LUCES DE AVISO

- **Amarilla:** se enciende cuando el botón del conmutador está fuera de la posición "0" (sólo en algunos modelos).
- **Roja:** se enciende cuando el termostato conecta las resistencias del cielo y de la solera, la del grill o la circular (aire caliente).

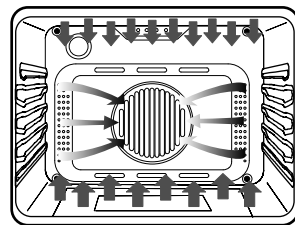
Modos del horno

Las siguientes ilustraciones dan una vista general de lo que sucede en el horno en cada modo de ajuste. Las flechas representan la posición de la fuente de calor durante cada uno de los modos. Los elementos inferiores están ocultos bajo el piso inferior.



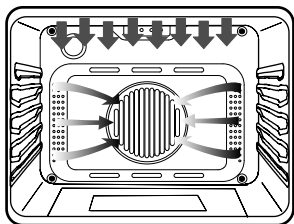
Horneado de Convección (Europeo)

El horneado de convección cocina con aire que proviene de un tercer elemento que se encuentra detrás de la pared trasera del horno. Este calor circula a través del horno por medio de un ventilador de convección.



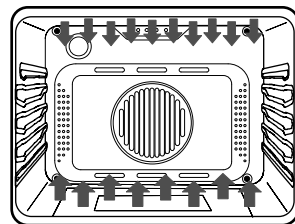
Horneado de Convección

El horneado de Convección usa el calor de los elementos superiores e inferiores, así como el calor del ventilador de convección.



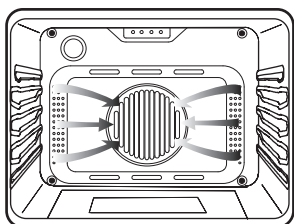
Asado de convección

El Asado de convección combina el calor intenso del elemento superior con el aire que circula por medio del ventilador de convección.



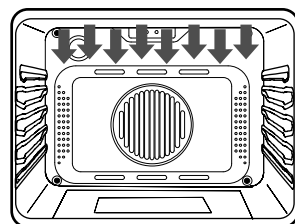
Horneado

Hornear es cocinar con aire seco, caliente. Tanto el elemento superior como el inferior se encienden en ciclos para mantener la temperatura del horno.



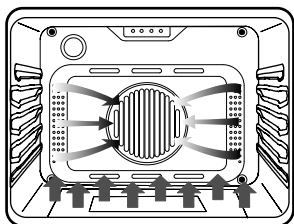
Deshidratado

No se utiliza ningún elemento de calentamiento, únicamente el ventilador de convección para descongelar alimentos.



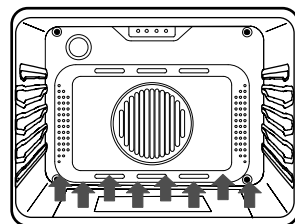
Grill y Maxi Grill

El Asado usa el calor intenso que radia el elemento superior.



Calor de Solera

Calor de solera; **la parte inferior y el ventilador están encendidos.** Útil para cocinar suflés, pizzas y repostería.



Solera

Sistema tradicional de solera, el calentamiento llega **solo por la parte inferior.** Se usa para terminar de cocinar.

Consejos generales para el horno

Precalentar el horno

- Precaliente el horno cuando utiliza los modos de Horneado, Horneado de convección y Grill de convección.
- Seleccionar una temperatura más alta no acorta el tiempo de precalentado.
- Se necesita precalentar para obtener buenos resultados al hornear pasteles, galletas, pastelelitos y panes.
- El precalentado ayudará a dorar los asados y a que la carne conserve sus jugos.
- Coloque las rejillas del horno en su posición correcta antes de precalentar.

Sugerencias para el uso

- Use las tablas de cocinar como una guía
- No ponga recipientes sobre la puerta abierta del horno
- Utilice la luz interna del horno para mirar los alimentos a través de la ventana del horno en lugar de abrir la puerta frecuentemente.

Recipientes

- Los recipientes de vidrio para hornear absorben el calor. Reduzca la temperatura del horno 25°F (15°C) cuando hornea con moldes de vidrio.
- Use los recipientes que producen el dorado deseado. El tipo de acabado del recipiente ayuda a determinar la cantidad de dorado que se producirá en el horno.
- Los moldes brillantes, de metal liso o ligeramente antiadherentes/anodizados reflejan el calor y dan como resultado un dorado más ligero y delicado. Los pasteles y galletas requieren este tipo de molde.

- Los recipientes oscuros, ásperos o sin brillo absorben el calor y producen una costra más dorada y crujiente. Use este tipo para pasteles.
- Utilice recipientes de metales oscuros antiadherentes/anodizados o moldes de metal sin brillo o moldes de vidrio de horneado para obtener una costra dorada. Los moldes aislantes de horneado pueden aumentar el tiempo de cocción.
- No hornee con la bandeja de asado vacía dentro del horno ya que esto puede cambiar el rendimiento del horneado. Guarde la bandeja de asado fuera del horno

Condensación y temperatura del horno

- Es normal que una cierta cantidad de humedad se evapore de los alimentos durante el proceso de cocción. La cantidad depende del contenido de humedad que contienen los alimentos. La humedad se puede condensar sobre una superficie más fría o en el interior del horno, así como en el panel de control.

Horneado a gran altitud

- Cuando se hornea a gran altitud, las recetas y el tiempo de cocción varían con respecto a los estándares.

Conexión de 120/240 contra 120/208 Voltios

- La mayoría de las instalaciones de hornos tiene un voltaje de 120/240 voltios.
- Si su horno está instalado con un voltaje de 120/208 voltios, el precalentado puede ser ligeramente más largo que con un voltaje de 120/240 voltios.

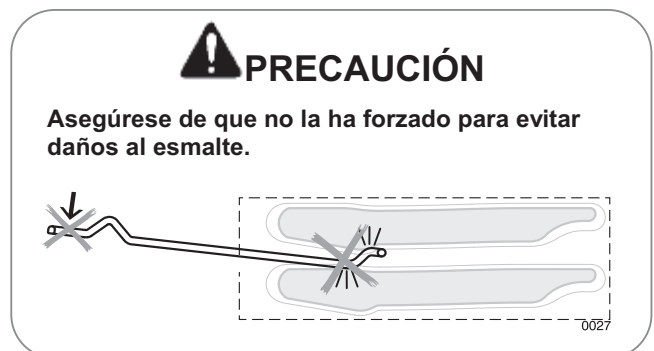
Rejillas del horno

- El horno tiene guías para las rejillas en cuatro niveles como se muestran en la figura de la pág. 50.
- Las posiciones de las rejillas están numeradas desde la guía de la rejilla inferior (#1) a la superior (#4).
- Consulte las tablas de cocinar para determinar las mejores posiciones de la rejilla para usar cuando se cocina.
- Cada guía de nivel consiste en un par de soportes formados en las paredes de cada lado del interior del horno.
- Asegúrese siempre de que las rejillas del horno se encuentran en la posición correcta antes de encender el horno. Asegúrese de que las rejillas estén niveladas una vez colocadas en posición.

Si tiene dudas, como por ejemplo, qué lado es la parte frontal de la rejilla, tome como referencia la figura de la pág. 50.

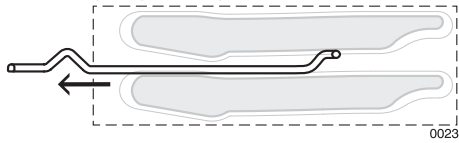
- Las rejillas están diseñadas para pararse cuando se tiran hacia atrás hasta el tope.

PRECAUCIÓN! Nunca utilice papel de aluminio para tapar las rejillas del horno o para forrar el horno. El calor atrapado por debajo del papel de aluminio puede dañar el revestimiento del horno.

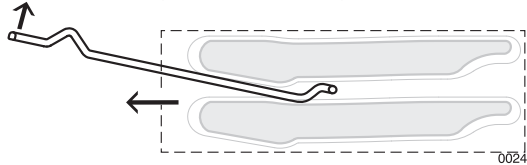


Para sacar las rejillas del horno:

1. Agarre la rejilla y empújela hacia atrás

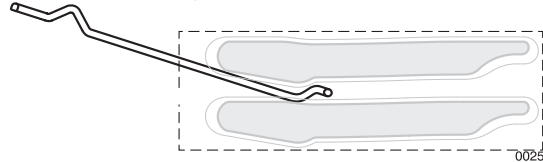


2. Incline la rejilla hacia arriba y sáquela

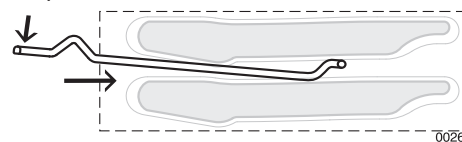


Para meter una rejilla del horno:

1. Coloque la parte de atrás de la rejilla entre las guías de nivel de rejilla



2. Mientras inclina la parte frontal de la rejilla hacia arriba, deslice la rejilla a lo largo de la vía mientras baja la parte frontal



La rejilla extensible (Opcional)

- La rejilla extensible facilita el acceso a los alimentos en el horno. Se extiende más allá de la rejilla plana normal acercando los alimentos al usuario.



PRECAUCIÓN

Cuando la rejilla sale del horno no se bloquean los brazos laterales de deslizamiento. Éstos se podrían extender inesperadamente si se transporta la rejilla de modo incorrecto. Extender los brazos de deslizamiento puede causar lesiones. **Se debe sostener o transportar la rejilla solamente agarrando los lados.**

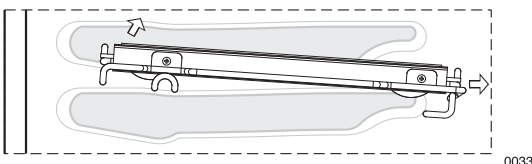
NOTA: Siempre saque la rejilla extensible antes de autolimpiar el horno.

PRECAUCIÓN! Para evitar quemaduras, jale la rejilla completamente y levante el molde arriba de la agarradera cuando transporta los alimentos al y del horno.

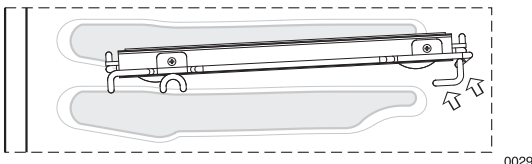
Si tiene dudas, como por ejemplo, qué lado es la parte frontal de la rejilla, tome como referencia la figura de la pág. 50.

Sacarla del horno:

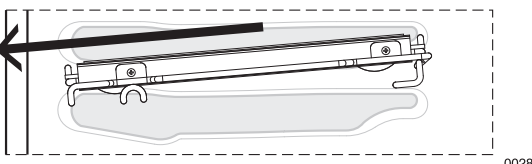
1. Levante el frente de la rejilla ligeramente y empuje la rejilla hacia adentro hasta que se libera el tope



2. Levante el fondo de la rejilla hasta que el marco y el tope queden libres de la guía

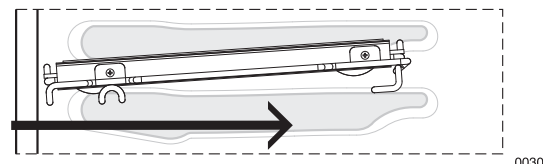


3. Jale la rejilla hacia abajo y sáquela

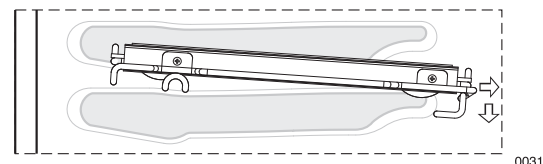


Colocar la rejilla en el horno:

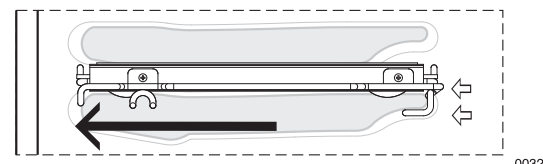
1. Agarre la rejilla firmemente en ambos lados. Coloque la rejilla (incluyendo el marco) arriba de la guía de rejilla deseada



2. Empuje la rejilla completamente hasta que el fondo de la rejilla caiga en su lugar



3. Hale ambas secciones hacia delante hasta que se active el tope. La rejilla debe estar recta no torcida



La Configuración de Control

ACCION	RESULTADO
<p>Para fijar la hora</p> <p>Introducir la alimentación de electricidad.</p> <p>Pulsar juntamente las teclas A y B mientras que se regula la hora usando las teclas E y F. Cuando se alcanza la hora deseada, dejar las teclas.</p>	<p>0.00 intermitente.</p> <p>Sobre el visor aparece la hora.</p>
<p>Funcionamiento del cuentaminutos</p> <p>Pulsar la tecla A.</p> <p>Obrar sobre las teclas E y F, regular sobre el intervalo de tiempo deseado.</p> <p>El timbre se apaga apretando una tecla cualquiera. En cada momento de la cuenta atrás es posible visualizar el tiempo restante apretando la tecla A.</p>	<p>En el visor aparece 0.00.</p> <p>En el visor aparece el intervalo de tiempo deseado. Al término del periodo fijado entrará en función el timbre. El timbre continuará por aproximadamente 2 minutos a menos que no sea apagado manualmente.</p> <p>El timbre está apagado.</p>
<p>Cocción totalmente automática</p> <p>Regular el horno a la función y a la temperatura deseada.</p> <p>Apretar la tecla B y fijar la duración -osea el periodo de tiempo por el cual quieren que la comida se cueza - usando las tecla E y F.</p> <p>Apretar la tecla C para fijar la hora de final de cocción - es decir la hora en la cual quieren que la comida acabe de cocerse - usando las teclas E y F.</p> <p>Girar los botones de control en la posición 0 (apagado) y pulsar la tecla D dos veces.</p>	<p>Aparece la palabra AUTO.</p> <p>El horno ahora se encenderá, cocerá y se apagará automáticamente a la hora fijada. Al término del periodo de cocción entrará en función el timbre.</p> <p>El timbre se apagará el programador vuelve al sistema manual.</p>
<p>Para controlar la duración de cocción restante</p> <p>Durante la cocción automática es posible controlar el tiempo de cocción restante apretando la tecla B.</p>	<p>Viene visualizado el tiempo restante.</p>
<p>Para controlar el final de cocción</p> <p>Durante la cocción automática es posible controlar la hora en la cual el horno se apagará apretando la tecla C.</p>	<p>Viene visualizada la hora de término de cocción.</p>
<p>Cocción semi-automática utilizando la función "Duración"</p> <p>Regular el horno a la temperatura y a la función deseada. Apretar la tecla B y fijar la duración - ésto quiere decir el periodo de tiempo durante el cual se desea la cocción de la comida - obrando en las teclas E y F.</p> <p>Girar los mangos en la posición 0 (apagado) y apretar la tecla D dos veces.</p>	<p>Aparece la palabra AUTO, y el símbolo de cocción se queda encendido. El horno permanecerá en función hasta el término del tiempo de duración, después de ésto el timbre entrará en función.</p> <p>El timbre se apaga y el programador vuelve a la función manual.</p>
<p>Cocción semi-automática utilizando la función "Hora Final"</p> <p>Regular el horno a la temperatura y a la función deseada. Apretar la tecla C y, obrando en la tecla E y F, fijar la hora en la cual se desea la comida acabe de cocer.</p> <p>Girar los botones de control en la posición 0 (apagado) y apretar la tecla D dos veces.</p>	<p>Aparece la palabra AUTO, y el símbolo de cocción permanece encendido. El horno permanecerá en función hasta el término del tiempo de duración, después de ésto el timbre entrará en función.</p> <p>El timbre se apaga y el programador vuelve a la función manual.</p>
<p>Para anular un programa</p> <p>Apretar la tecla B y regular la hora visualizada obrando en la tecla E hasta aparecer 00.00 en el visor. Girar los botones de control en la posición 0 (apagado) y apretar la tecla D.</p>	<p>El programa viene anulado automáticamente.</p>

Consejos y técnicas de horneado

Hornear es cocinar con aire caliente. Tanto el elemento superior como el inferior del horno se encienden para calentar el aire pero no se utiliza el ventilador para hacer circular el horneado.

Siga la receta o las orientaciones de los alimentos convenientes para la temperatura de horneado, el tiempo y la posición de las rejillas. El tiempo de horneado cambiará con la temperatura de los ingredientes y con las dimensiones, la forma y el acabado del molde de horneado.

Directrices generales

- Para obtener los mejores resultados hornee los alimentos en una única rejilla con al menos 1" - 1½" (2,5 – 3 cm) espacio entre los moldes y las paredes del horno.
- Use una rejilla cuando selecciona el modo de horneado.
- Controle para que estén cocidos en el menor tiempo.
- Use moldes del metal (con o sin acabado antiadherente), vidrio refractario, vitrocerámica, cerámica u otros utensilios adecuados para el horno.
- Cuando use vidrio refractario, reduzca la temperatura 25°F (15°C) con respecto a la temperatura recomendada.

- Use bandejas de horneado con o sin lados o moldes de charlotas.
- Las cazuelas de metal oscuro o con recubrimiento antiadherente cuecen más rápidamente y se doran más. Los moldes aislantes alargarán ligeramente el tiempo de cocción para la mayoría de los alimentos.
- No utilice hojas de aluminio o bandejas de aluminio desechables para cubrir cualquier parte del horno. Las hojas son un excelente aislante de calor y el calor quedará atrapado por debajo. Esto alterará el rendimiento de la cocción y podrá dañar el acabado del horno.
- Evite el uso de las puertas abiertas para apoyar las cazuelas.
- Los consejos para Resolver los problemas de horneado se encuentran en la página 65.

Tabla de cocción por horneado

ALIMENTO	POSICIÓN DE REJILLA	TEMP. °F (°C) (HORNO PRECALENDADO)	TIEMPO (MIN)
Pastel			
Glaseado	2	350 (175)	17-19
Pastel	1	350 (175)	37-43
Bizcochos	1	350 (175)	35-39
Pay			
2 cortezas, fresco 9"	2	375-425 (190-220)	45-55
2 cortezas. fruta congel. 9"	2	375 (190)	68-78
Galletas			
Azúcar	2	350-375 (175-190)	6-11
Chocolate chip	2	350-375 (175-190)	8-13
Brownies	2	350 (175)	29-36
Panes			
Pan de levadura, 9x5	2	375 (190)	18-22
Rollos de levadura	2	375-400 (190-205)	12-15
Bollo, Panecillo	2	375-400 (190-205)	11-15
Molletes	2	425 (220)	15-19
Pizza			
Congelada	2	400-450 (205-235)	23-26
Fresca	2	425-450 (220-235)	12-15

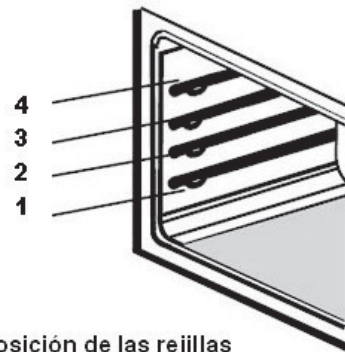
Consejos y técnicas de horneado de convección

Reduzca las temperaturas del horneado de las recetas 25°F (15°C).

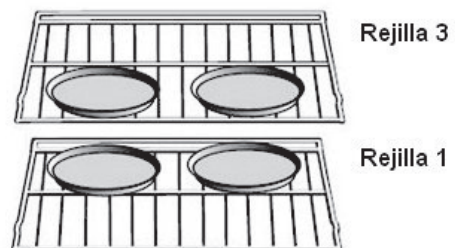
- Para obtener mejores resultados, se recomienda poner los alimentos en bandejas planas, no tapadas para aprovechar la circulación del aire forzado. Utilice moldes de aluminio brillante para obtener los mejores resultados si no se especifica nada más.
- Se puede utilizar vidrio refractario o cerámica. Reduzca la temperatura otros 25°F (15°C) cuando utiliza platos de vidrio refractario, con una reducción total de 50°F (30°C).
- Se pueden usar moldes de metales oscuros. Tenga presente que los alimentos se dorarán más rápidamente si usa recipientes de metal oscuro.
- El número de rejillas utilizadas lo determina la altura del alimento que tienen que cocinar.
- Cocinar con múltiples rejillas para comidas realizadas al horno se debe a la posición de las rejillas 1, 2 y 3. Se pueden utilizar todas las rejillas, para las galletas, bollos y galletitas saladas.
 - Con 2 rejillas de horneado. Use las posiciones 1 y 3.
 - Con 3 rejillas de horneado. Use las posiciones 2, 3 y 4.
 - Cuando hornea cuatro capas con pasteles al mismo tiempo, coloque los moldes de tal modo que ningún molde quede directamente encima de otro. Para lograr mejores resultados, coloque los moldes en la parte frontal de rejilla superior y en el fondo de la rejilla inferior (vea la figura a la derecha). Permita 1" -1 1/2" de espacio libre alrededor de los moldes.
- Transformar su propia receta puede ser fácil. Elija una receta que funcione bien en el modo de convección.
- Reduzca la temperatura y el tiempo de cocción si fuera necesario. Puede ser necesario algún juicio y cometer algún error para obtener un resultado perfecto. Conserve los resultados de su técnica para la próxima vez que quiera preparar la misma receta utilizando el sistema por convección.
- Los consejos para resolver los problemas de horneado se encuentran en la página 65.

Alimentos recomendados para modo de horneado de convección:

Galletitas saladas y hojaldres
Galletas para el café
Pasteles (de 2 a 4 rejillas) Masa de levadura
Bollos de crema
Popovers
Guisos y entrantes
Comidas preparadas al horno (posición de las rejillas 1, 2, 3)
Alimentos que se elevan con aire (Suflés, Merengues, Postres recubiertos con merengues, Bizcocho Angel, Bizcochos)



Posición de las rejillas



Colocación de los distintos recipientes en la rejilla

Consejos para recetar rápidas y fáciles

Para transformar el HORNEADO estándar en HORNEADO DE CONVECCIÓN:

- Reduzca la temperatura 25°F.
- Use el mismo tiempo de horneado que para el modo de Horneado si es por debajo de los 10 a 15 minutos.
- Los alimentos con un tiempo de horneado inferior a 30 minutos deberían controlarse para ver si están bien cocidos 5 minutos antes que las recetas de horneado estándar.
- Si los alimentos se hornean durante más de 40 a 45 minutos, el tiempo de horneado se debería reducir un 25%.

Tabla de horneado de convección

Reduzca la temperatura de la receta estándar de 25°F(15°C) para el horneado de Convección. La temperaturas se han reducido en esta

ALIMENTO	POSICIÓN DE REJILLA	TEMP. °F (°C) (HORNO PRECALENDADO)	TIEMPO (MIN)
Pastel			
Glaseado	2	325 (160)	17-19
Pastel	1	325 (160)	37-43
Bizcochos	1	325 (160)	35-39
Pay			
2 cortezas, fresco 9"	2	350-400 (175-205)	45-55
2 cortezas. fruta congel. 9"	2	350 (175)	68-78
Galletas			
Azúcar	2	325-350 (160-175)	6-11
Chocolate chip	2	325-350 (160-175)	8-13
Brownies	2	325 (160)	29-36
Panes			
Pan de levadura, 9x5	2	350 (175)	18-22
Rollos de levadura	2	350-375 (175-190)	12-15
Bollo, Panecillo	2	350-375 (175-190)	11-15
Molletes	2	400 (205)	15-19
Pizza			
Congelada	2	375-425 (190-220)	23-26
Fresca	2	400-425 (205-220)	12-15

Esta tabla es una guía. Siga la receta o las instrucciones del paquete y reduzca la temperatura de la manera apropiada.

Consejos y técnicas del asado de convección

- Coloque la rejilla en la posición requerida antes de encender el horno.
- Use el modo de Asado de Convección con la **puerta del horno cerrada**.
- No precaliente el horno.
- Use un recipiente de 2 piezas.
- Voltee la carne una vez a mitad del tiempo recomendado para cocinar (vea la tabla de asado de convección)

Tabla de asado de convección

ALIMENTO Y GROSOR	POSICIÓN DE REJILLA	POSICIÓN DE ASADO °F (°C)	TEMPERATURA INTERNA °F (°C)	TIEMPO LADO 1 (MIN.)*	TIEMPO LADO 2 (MIN.)*
Carne de res					
Filete (1-½" o más)					
Vuelta y Vuelta	2	450 (235)	145 (65)	12-14	11-13
Medio	2	450 (235)	160 (71)	15-17	13-15
Bien Cocido	2	450 (235)	170 (77)	18-20	16-17
Hamburguesas (más de 1")					
Medio	3	550 (290)	160 (71)	9-11	5-8
Bien Cocido	3	550 (290)	170 (77)	11-13	8-10
Aves					
Cuartod de Pollo	3	450 (235)	180 (82) (thigh)	16-18	14-16
Pechuga de Pollo	3	450 (235)	170 (77)	14-16	12-14
Puerco					
Chuletas (1¼" o más)	2	450 (235)	160 (71)	12-14	13-15
Salchicha - fresca	3	450 (235)	160 (71)	4-6	3-5

* Los tiempos del Asado y Asado de Conveccion son aproximados y pueden variar ligeramente.

Consejos y técnicas del asado

- Coloque la rejilla en la posición requerida antes de encender el horno.
- Use el modo de Asado de Convección con la **puerta del horno cerrada**.
- No precaliente el horno.
- Use un recipiente de 2 piezas.
- Se puede untar las carnes con un pincel mojado en aceite o mantequilla para evitar que se pegue.
- Voltee la carne una vez a mitad del tiempo recomendado para cocinar (vea la tabla de asado)

Tabla de asado

ALIMENTO Y GROSOR	POSICIÓN DE REJILLA	POSICIÓN DE ASADO	TEMPERATURA INTERNA °F (°C)	TIEMPO LADO 1 (MIN.)*	TIEMPO LADO 2 (MIN.)*
Carne de res					
Filete (1-½" o más)					
Vuelta y Vuelta	3	MAX (290°C)	145 (63)	5-7	4-6
Medio	3	MAX (290°C)	160 (71)	6-8	5-7
Bien Cocido	3	MAX (290°C)	170 (77)	8-10	7-9
Hamburguesas (más de 1")					
Medio	3	MAX (290°C)	160 (71)	7-9	5-7
Bien Cocido	3	MAX (290°C)	170 (77)	8-10	7-9
Aves					
Pechuga (con hueso)	3	450°F (230°C)	170 (77)	14-16	14-16
Muslo	3	450°F (230°C)	180 (82)	28-30	13-15
Puerco					
Chuletas (1")	3	MAX (290°C)	160 (71)	7-9 5-7	
Salchicha - fresca	3	MAX (290°C)	160 (71)	5-7 3-5	
Rebanada de Jamon (½")	3	MAX (290°C)	160 (71)	3-5 4-6	
Mariscos					
Filetes de Pescado, 1"	3	500°F (260°C)	Cook until opaque & flakes easily with fork	10-14	Do not turn
Con manequilla					
Cordero					
Chuletas (1")					
Vuelta y Vuelta	3	MAX (290°C)	145 (63)	5-7	4-6
Medio	3	MAX (290°C)	160 (71)	6-8	5-7
Bien Cocido	3	MAX (290°C)	170 (77)	8-10	7-9
Bread					
Pan, rebanadas de 1"	4	MAX (290°C)		2-2,30	
Pan de ajo, rebanadas de 1"	3	MAX (290°C)		4-6	

* Los tiempos del Asado y Asado de Conveccion son aproximados y pueden variar ligeramente.

Pautas e seguir para la temperatura de alimentos de FSIS (Servicio de Inspección y Seguridad de Alimentos USDA)

140°F(60°C)	Jamón , precocido (para recalentar)		Relleno (cocido solo o en el ave)
145°F(63°C)	Carne fresca de res, tenera, cordero (vuelta y vuelta)	165°F(74°C)	Sobras y guisados
160°F(71°C)	Carne molida y mezcalas de carne (res, puerco, tenera, cordero)	170°F(77°C)	Carne fresca de res, tenera, cordero (bien cocida)
	Carne fresca de res, tenera, cordero (medio)		Pechuga de pollo (aves)
	Carne fresca de puerco (media)		Carne fresca de puerco (bien cocida)
	Jamón fresco (crudo)	180°F(82°C)	Pollo y jamón (entero)
Platillos con huevos	Carne de aves (muslos y alas)		
165°F(74°C)	Carne molida y mezcalas de carne (pavo, pollo)		Pato y ganso

Note : Huevos (solos, no utilizados en una receta) – cocer hasta que la yema y la clara estén duras

Cuidado general del horno

Cómo usar la tabla de la limpieza del horno

1. Localice el número de la parte que tiene que limpiar en la figura de esta página.
2. Busque el nombre de la parte en la tabla.
 - Use el método de limpieza que aparece en la columna de la izquierda si el horno es blanco o negro.
 - Use el método de limpieza que aparece en la columna de la derecha si el horno es de acero inoxidable.
3. Haga coincidir la letra con el método de limpieza Phe de la página siguiente.

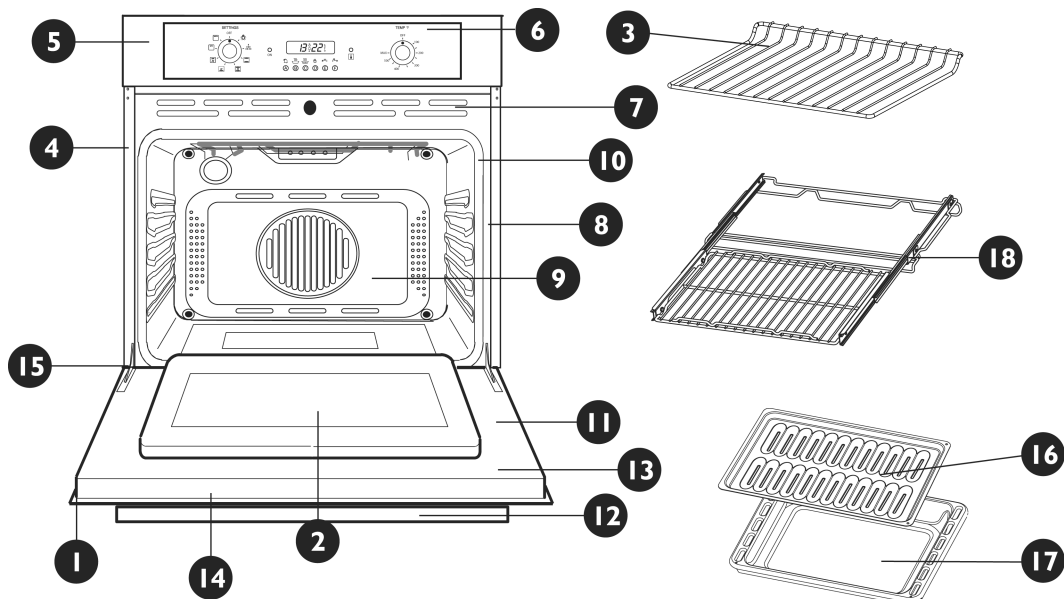


Tabla de limpieza

Parte		Método de limpieza		Parte		Método de limpieza	
		Horno Negro/Blanco	Horno de Acero Inoxidable			Horno Negro/Blanco	Horno de Acero Inoxidable
1	Marco de la puerta	E	E	11	Puerta del horno interior	E	E
2	Interior de la ventana de la puerta	F	F	12	Agarradera de la puerta	D	D
3	Rejillas removibles del horno	A	A	13	Aberturas de enfriamiento de la puerta	E	E
4	Molduras laterales	D	D	14	Frente de la puerta	D	D
5	Moldura del panel de control	C	G	15	Molduras del horno	D	D
6	Panel de control	C	C	16	Bandeja de grill	E	E
7	Aberturas de enfriamiento del horno	E	E	17	Bandeja del horno inferior	E	E
8	Marco frontal del horno	E	E	18	Rejilla extensible	A	A
9	Cavidad del horno	E	E				
10	Empaque metálico	B	B				

Acabados del horno / métodos de limpieza

El horno completo se tiene que limpiar de manera segura con una esponja jabonosa, enjuagar y secar. Si no se consiguen eliminar residuos persistentes, siga los métodos de limpieza que se muestran aquí abajo.

- Use siempre el limpiador más suave para hacer el trabajo.
- Frote el acabado del metal en la dirección del granulado.
- Use trapos limpios y suaves, esponjas o toallas de papel.
- Enjuague a fondo con el mínimo de agua posible para que no gotee agua en el interior de las ranuras.
- Seque para evitar que se formen alones.

Los limpiadores que se enumeran aquí abajo indican el tipo de productos que hay que usar y no se recomiendan. Use todos los productos según las instrucciones del paquete.

Parte	Método de limpieza
A Cromo placado	Lave con agua jabonosa caliente. O frote suavemente con esponjillas con Soft Scrub®, Bon-Ami®, Comet®, Ajax®, Brillo® o S.O.S.® directamente. Se puede usar los limpiadores de horno Easy Off® o Dow® (fórmula de horno en frío), pero podrían provocar oscurecimientos y decoloración. Se pueden limpiar las rejillas en el horno durante el modo de autolimpieza, pero perderán su acabado brillante y cambiar permanentemente a un gris metálico.
B Fibra de vidrio	NO LIMPIE EL EMPAQUE A MANO.
C Cristal	Eche Spary Windex® o Glass Plus en una tela primero, y luego límpielo. Use Fantastik® o Formula 409® para quitar salpicaduras grasientas.
D Pintura	Limpie con agua jabonosa caliente o aplique Fantastik® o Formula 409® primero a una esponja limpia o una toalla de papel y limpie. Evite el uso de limpiadores en polvo y esponjillas de fibra metálica y detergentes para hornos.
E Porcelana	Limpie de inmediato derrames ácidos como jugos de fruta, leche y jitomate con una toalla seca. No use una esponja/toalla húmeda sobre porcelana caliente. Cuando ya está fría, limpie con agua jabonosa caliente o aplique Bon-Ami® o Soft Scrub® a una esponja húmeda. Enjuague y seque. Para manchas resistentes, use suavemente esponjillas con Brillo® o S.O.S.®. Es normal que la porcelana se agriete (líneas finas) con el tiempo debido a la exposición al calor y a los residuos de comida.
F Cristal reflectante	Limpie con agua caliente jabonosa y una esponja o un estropajo de plástico. Para las manchas de agua, use vinagre, Windex®, amoníaco o Bon-Ami®. NO USE ABRASIVOS DUROS
G Acero inoxidable	Siempre limpie con el grano. Limpie con una esponja jabonosa luego enjuague y seque o limpie con Fantastik® o Formula 409® aplicado a una toalla de papel. Proteja y limpie con Stainless Steel Magic® y un trapo suave. Quite las manchas de agua con un trapo humedecido con vinagre blanco. Use Bar Keeper's Friend® para quitar la decoloración térmica.
H Sonda (si presente)	La limpieza de la sonda ha de realizarse con detergente y agua caliente. Luego enjuague y seque. No ponga a remojo ni meta en el lavavajillas.

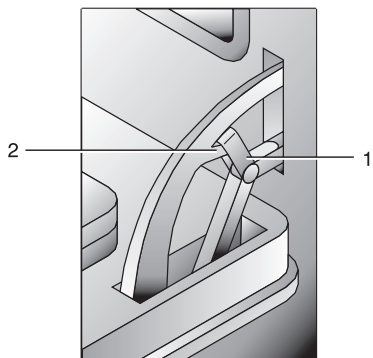
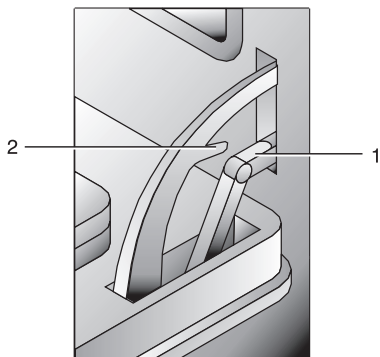
Operaciones de mantenimiento que puede hacer usted mismo
Quitar la puerta del horno

⚠ ADVERTENCIA

- Asegúrese de que el horno esté frío y de que se haya apagado la corriente antes de quitarla puerta. De otro modo podría causar una descarga eléctrica o quemaduras.
- La puerta del horno es pesada y frágil. Use ambas manos para quitar la puerta. La parte frontal de la puerta es de vidrio. Maneje con cuidado para evitar que se rompa.
- Agarre solo los costados de la puerta del horno. No use la agarradera ya que podría girar en su mano y causar daños o heridas.
- Si no agarra firmemente y de la manera correcta la puerta del horno podría causar lesiones a personas o daños al producto

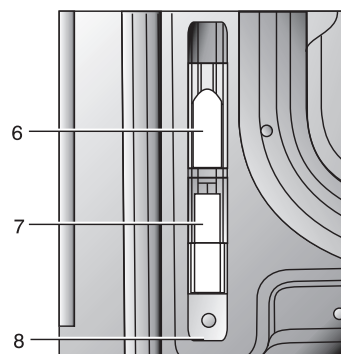
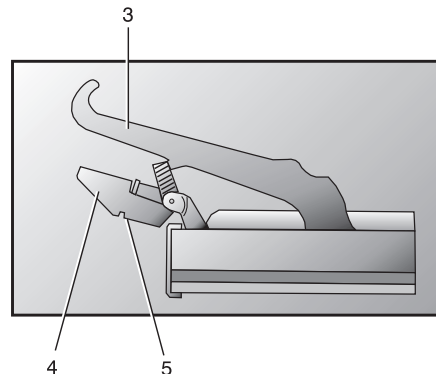
Para quitar la puerta

1. Abra la puerta completamente.
2. Levante los soportes de las bisagras (1) en las ranuras (2).
3. Sujete la puerta firmemente por los dos costados usando las dos manos y cierre la puerta.
4. Sujétela firmemente; la puerta es pesada.
5. Coloque la puerta en un lugar apropiado.



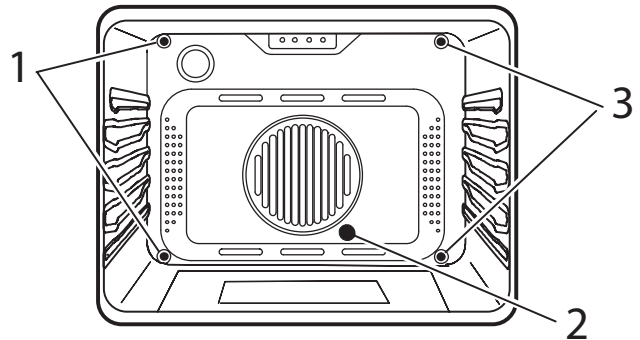
Para volver a colocar la puerta

1. Introduzca las patillas superiores (3) de las dos bisagras en las ranuras superiores (6) y las patillas inferiores (4) en las ranuras inferiores (7). Los batientes (5) se tienen que enganchar en los rebordes (8).
2. Coloque las bisagras (1) hacia atrás en su posición.
3. Cierre y abra la puerta lentamente para asegurarse de que está colocada correctamente y de manera segura.



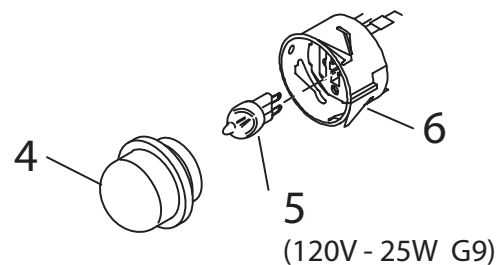
Cambiar una lámpara del horno

- Cada horno está equipado con una lámpara con bombillas halógenas colocadas en la pared posterior del horno.
- Las luces se enciende cuando se encuentra en el ciclo de cocción.
- Cada lámpara consiste en unas lentes removibles, una bombilla y un casquillo que está fijado en su lugar. Vea la figura de esta página.
- La sustitución de la bombilla se considera un mantenimiento de rutina.



Para reemplazar la bombilla

1. Lea la ADVERTENCIA de esta página.
2. Apague la corriente general (caja de fusibles o cortocircuito).
3. En los hornos de convección quite la tapa del ventilador destornillando los 4 tornillos con un destornillador.
4. Desenrosque las lentes.
5. Extraiga la bombilla de su casquillo.
6. Sustituya la bombilla con otra. Evite tocar la bombilla con los dedos, porque la grasa de las manos podría dañar la bombilla cuando se calienta.
7. El foco es de halógeno: Utilizar uno con los mismos Volt y Watt (ver las figuras de esta página).
8. Enrosque las lentes.
9. Vuelva a colocar la tapa del ventilador si el modelo está dotado con ello.
10. Restablezca la corriente general (caja de fusibles o cortocircuito).



ADVERTENCIA

- Asegúrese de que el horno y las lámparas estén frías y la corriente está apagada antes de reemplazar la(s) bombilla(s). Puede haber un fallo debido a una descarga eléctrica o a quemaduras.
- Las lentes tienen que estar montadas cuando se usa el horno.
- Las lentes sirven para evitar que se rompan las bombillas.
- Las lentes son de vidrio. Manéjelas con cuidado para evitar que se rompan. Los vidrios rotos pueden causar lesiones.

Resolución de los problemas de horneado

Tanto con el Horneado como con el Horneado de convección, los resultados escasos pueden ocurrir por muchas razones además de por un mal funcionamiento del horno. Controle la tabla para las causas de los problemas más comunes. Debido a que el tamaño, la forma y el material de los utensilios de hornear tienen un efecto directo sobre los resultados del horneado, la mejor solución podría ser reemplazar los viejos utensilios de hornear que se han oscurecido y deformado con el tiempo y el uso. Revise también la tabla de Horneado de las páginas de la 56 a la 60, la posición de la rejilla y el tiempo de hornear

<i>Problema de horneado</i>	<i>Causa</i>
Los alimentos se doran poco uniformes	<ul style="list-style-type: none"> • El horno no está precalentado • Papel de aluminio en la rejilla o fondo del horno • Utensilios de hornear son demasiado grandes • Los moldes tienen contacto o tocan la pared
Los alimentos quedan muy	<ul style="list-style-type: none"> • El horno no está precalentado • Se usa un molde de vidrio, mate o de metal oscuro • Posición incorrecta de la rejilla • Los moldes tienen contacto o tocan la pared
Los alimentos quedan muy secos o muy encogidos	<ul style="list-style-type: none"> • Temperatura del horno muy alta • Tiempo de hornear muy largo • Se abrió la puerta del horno frecuentemente • El molde es demasiado grande
Los alimentos se hornean o asan muy lentamente	<ul style="list-style-type: none"> • Temperatura del horno muy baja • El horno no está precalentado • Se abrió la puerta del horno frecuentemente • Muy sellado con papel de aluminio • El molde es demasiado pequeño
Las costras de pays no se doran en el fondo o quedan muy empapadas.	<ul style="list-style-type: none"> • Tiempo de hornear insuficiente • Se usan moldes de acero brillosos • Posición incorrecta de la rejilla • Temperatura del horno muy baja
Los pasteles no se doran y quedan planos, tal vez sin terminar por adentro	<ul style="list-style-type: none"> • Temperatura del horno muy baja • Tiempo de hornear incorrecto • Se probó el pastel antes de tiempo • Se abrió la puerta del horno frecuentemente • El molde es demasiado grande
Los pasteles quedan elevados en el centro con grietas en la parte superior	<ul style="list-style-type: none"> • Temperatura del horno muy alta • Tiempo de hornear muy largo • Los moldes tienen contacto o tocan la pared • Posición incorrecta de la rejilla • El molde es demasiado pequeño
Los bordes de la costra de pays quedan muy dorados	<ul style="list-style-type: none"> • Temperatura del horno muy alta • Los bordes de la costra son muy delgados

Resolución de los problemas de funcionamiento

Antes de ponerse en contacto con el servicio de asistencia técnica, lea la sección “Solución de problemas”. Puede que hacerlo le ahorre la llamada. Si no encuentra la solución a su problema en esta sección, siga las instrucciones que encontrará más abajo. Cuando llame al servicio de asistencia, tenga a mano los siguientes datos: fecha de compra, referencia completa del modelo y número de serie de su placa de cocción. Esa información nos ayudará a atenderle.

<i>Problema del horno</i>	<i>Pasos para resolver los problemas</i>
La pantalla del horno se queda apagada	Apague la corriente general (caja de fusibles o cortocircuito). Vuelva a conectar el circuito. llame el centro de servicio autorizado.
El ventilador de enfriamiento sigue funcionando después de apagar el horno	Esto es normal. El ventilador se apaga automáticamente cuando los componentes electrónicos se hayan enfriado suficientemente.
El horno no calienta	Revise el cortacircuito o la caja de fusibles en su casa. Asegúrese de que hay una alimentación eléctrica correcta para el horno. Asegúrese de haber seleccionado la temperatura del horno.
El horno no cocina de un modo uniforme	Consulte las tablas de cocinar para las posiciones recomendadas de rejillas. Siempre reduzca la temperatura de recetas 25 °F (15 °C) cuando hornea con el modo de horneado de convección.
Las luces del horno no funcionan correctamente	Reemplace o reinserte el foco si está flojo o defectuoso. Vea la Pág. 64. La bombilla se puede quemar si lo toca con los dedos.
No se puede quitar la cubierta del lente	Puede haber sólidos acumulados alrededor de la cubierta. Limpie el área del lente con una toalla seca y limpia antes de tratar de quitar la cubierta de la lente.
Hay mucha humedad	Cuando utiliza el modo de hornear debe precalentar el horno. El horneado de convección elimina cualquier humedad en el horno (esta es una de las ventajas de la convección).
Astillas de porcelana	Al quitar y reemplazar las rejillas del horno, siempre debe inclinarlas hacia arriba y no forzarlas para evitar astillar la porcelana.

Registro de datos para el servicio

Cómo obtener servicio Para información sobre servicio autorizado o refacciones, ver el párrafo “Fulgor Garantía ..”.

Al abrir la puerta del horno se puede ver la etiqueta con el número de serie del producto. Se encuentra del lado izquierdo, centrada verticalmente justo dentro de la cavidad del horno. Vea la Pág. 50. Ahora es un buen momento para anotar esta información en el espacio proporcionado abajo. Guarde su factura para validar la garantía.

Número del Modelo _____ Número de Serie _____ Fecha de instalación y ocupación _____

Fulgor Milano GARANTÍA para electrodomésticos**Vigencia de la garantía:**

Fulgor Milano concede una garantía completa de 24 meses desde la fecha de compra indicada en la factura para el territorio continental de EE.UU. y Canadá. Durante este período, **Fulgor Milano** abonará el importe de las piezas sustituidas y la mano de obra necesarias para reparar el aparato.

Para validar la garantía, guarde la factura de compra y el albarán de entrega originales.

Para obtener servicio en virtud de esta garantía, debe:

1. Contacte con Fulgor-Milano North America Service por correo electrónico a la dirección fulgor@adcoservice.com o llamando al número gratuito 1-855-4-fulgor (855-438-5467) para recibir asistencia sobre su aparato.
2. Proporcionar una copia del recibo de ventas original.
3. Ofrecer a **Fulgor Milano** la oportunidad razonable de investigar la reclamación antes de retirar el producto o cualquier componente del mismo.

Cobertura:

Lea el Manual de uso y mantenimiento antes de utilizar el aparato por primera vez.

Esta garantía es aplicable a los aparatos **Fulgor Milano** utilizados sólo para uso doméstico. Nuestros aparatos no están destinados a uso comercial. Esta garantía será válida únicamente para el propietario original y se podrá transferir. Durante el período de garantía, **Fulgor Milano**, a su propia discreción, reparará o cambiará el producto sin cargo alguno por las piezas y la mano de obra.

La garantía no cubrirá:

1. Los daños al aparato provocados intencionadamente o por accidente
2. La instalación inadecuada o la conexión incorrecta al suministro eléctrico
3. Danos debidos a calor excesivos dado por factores exteriores, danos debidos al agua.
4. Danos debidos al transporte.
5. Las modificaciones al aparato
6. El funcionamiento defectuoso debido a un uso inadecuado
7. La rotura o las ralladuras producidas por el uso habitual en la superficie vitrocerámica
8. Bombillas dañadas o fusibles externos.
9. El funcionamiento en condiciones profesionales o comerciales
10. Los daños provocados por rayos, fuego o inundación, u otros casos de fuerza mayor
11. La sustitución o el acoplamiento de piezas que no son las originales suministradas por **Fulgor Milano**
12. Las reclamaciones por daños superficiales, como ralladuras en piezas de acero inoxidable, danos al tirador, etc. solo estan cubiertas por garantía limitada y deben efectuarse en un período de dos semanas tras la fecha de compra.

Esta garantía cubre solamente el aparato y sus componentes. Se excluyen de la garantía los daños a objetos que estén en contacto directo o colocados cerca del aparato. No se aceptarán cargos de terceros que no sean agencias de servicio autorizadas de **Fulgor Milano**.

En caso de que se demuestren defectos de fábrica o materiales en el aparato, se garantizará al usuario final sólo la reparación o la sustitución. Bajo ningún concepto **Fulgor Milano** será responsable de pérdidas o daños, ya sean directos, consecuentes o accesorios, producidos por el uso o el uso inadecuado del aparato.

Con el objeto de adquirir los derechos de garantía, se debe proporcionar la factura original al Departamento de servicio técnico de **Fulgor Milano** para verificar la fecha de compra. Algunos estados no contemplan la limitación de daños accesorios o consecuentes, por lo que es posible que no se apliquen las limitaciones o exclusiones anteriores.

En caso de reclamaciones de carácter técnico o para solicitar servicio, póngase en primer lugar con el distribuidor al que compró el aparato Fulgor Milano.

Fulgor Milano

After Sales Service Support & Warranty Information:

1-855-4-fulgor (855-438-5467)

fulgor@adcoservice.com

FULGOR
MILANO