

2.1 Cubic Foot Extra Large Capacity Portable Washer

HLPW028AXW



Stainless Steel Wash Basket

Delivers durability in a basket that doesn't peel, crack, or snag fabrics

Adjustable Leveling Feet

Provides flexibility to account for varying surface levels

Lift and Carry Handles on Cabinet

Makes unit relocation easier

Dual Water Inlet Valve: Cold & Hot

Enables simple installation for hot and cold water inputs

Available

Unit Specifications

Width	21 21/32"
Depth	22 1/16"
Height	37 5/8"
Weight	86 lbs.
UPC	688507360379

More Easy-To-Use Features

- Fill and drain hoses included
- Pulsator wash system
- Wash tub suspension system
- 750 RPM maximum spin speed
- Clear hinged lid
- Electronic control (LED display)
- Six wash cycles: heavy duty, whites, perm press, normal, delicate, quick
- Four water levels
- Delay start
- End-of-cycle signal
- Powder detergent dispenser
- Removable lint filters

Limited Warranty

- 1 Year Warranty (Parts and Labor)
- 2-5 Year Cabinet Warranty
- 2-7 Year Stainless Steel Wash Basket

Available Finishes



White

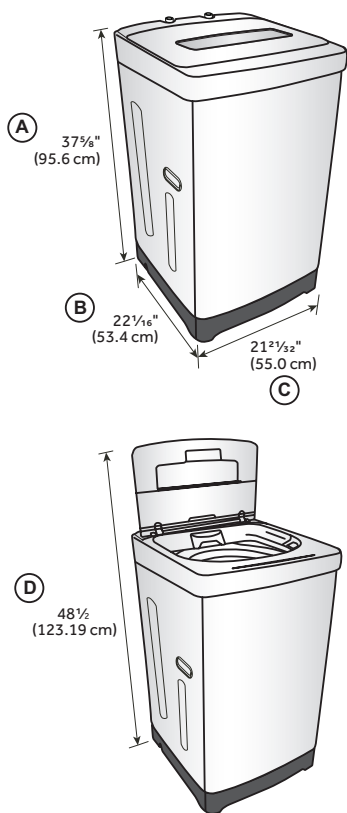


Letter	Overall Dimensions	in.
A	Height	37 5/8"
B	Depth	22 1/16"
C	Width	21 21/32"
D	Height (door open 90°)	48 1/2"

Overall Packaging Details	
Packaging	lb./in.
Gross Weight	97 lbs.
Dimensions	W 26" D 25 3/4" H 41 3/4"

Power Requirements	
Electrical Rating	120V, 60Hz

Product Technical Illustration



General Appliance Information

Please read all installation details and instructions before use.

Contact Us

For questions regarding this product please refer to our website at haieramerica.com or call our customer service center at 877-337-3639.

