

18.1 Cubic Foot Top Mount Refrigerator

HRT18R1APW

Available Q3 2015



Unit Specifications

Width	29.20"
Depth	33"
Height	65.60"
Weight	195 lbs.
UPC	688057309347 (White) 688057309354 (Black)

More Easy-To-Use Features

- Daylight Lighting
- Full Width Adjustable Spill Proof Glass
- Clear Humidity Crispers
- Full Width Clear Gallon Bin
- Full Width Clear 2-Liter Bins
- Clear Dairy Bin
- 40W Daylight Bulb
- 25W Freezer Light
- Full Width Freezer Spill Proof Glass
- Full Width Clear Freezer Bins
- Ice Maker Ready
- Textured Reversible Door
- ADA Compliant
- Designed, Engineered and Assembled in the USA

Signature Features

Adjustable Spill Proof Glass Shelves

Allows flexible storage solutions and hold liquid spills for easy cleanup

Clear Humidity Controlled Crispers

Provide the ideal environment for storing your fruits and vegetables while optimizing food preservation

Adjustable Spill Proof Glass Freezer Shelf

Gives you the flexibility to organize your frozen food items

4-Sided Clear Door Bins

Accommodate small to large items and contain spills while freeing up precious shelf space

Warranty

- 1 Year Warranty (Parts and Labor)
- 5 Year Sealed System

Available Finishes



HRT18R1APW



HRT18R1APB

ADA

Letter	Cutout Dimension	in.
A	Width	29.20"
B	Height of Case (Without Hinge)	65.0"
C	Height (With Hinge Cover)	65.60"
D	Depth of Case (Without Door)	27.10"
E	Depth (Without Handle)	30.50"
F	Depth (With Handle)	33"
G	Depth (Door at 90°)	57.90"

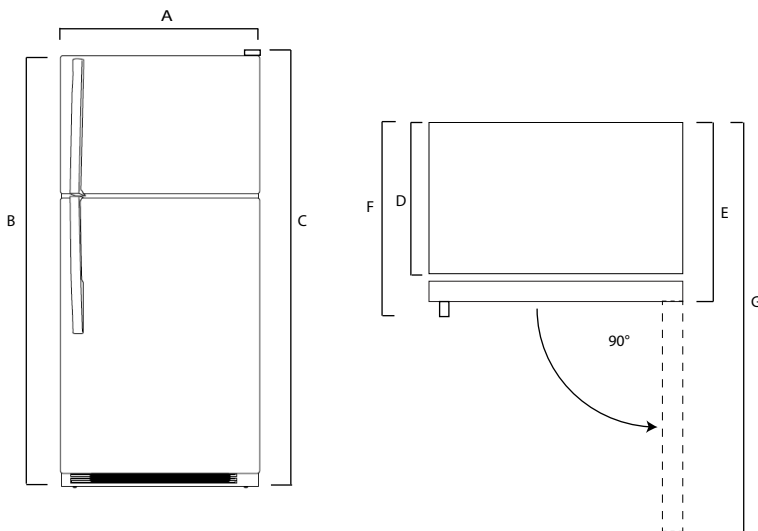
Air Clearances

Front	1"
Back	2"
Sides	1"

Power/Ratings

Electrical Rating	115V, 60Hz
Energy Use	409kWh

Product Technical Illustration



Overall Packaging Details

Packaging		lb./in.
Gross Weight		208 lb.
Dimensions	W	31.75"
	D	32.75"
	H	67.63"

General Appliance Information

Please read all installation details and instructions before use.

Contact Us

For questions regarding this product please refer to our website at haier.com or call our customer service center at 877-337-3639.

