

## 24" Gas Cooktop

HCC2230AGS

Available Q3 2015



### Unit Specifications

Width	22 13/16"
Depth	20"
Height	3 3/8"
Weight	25 lb.
UPC	688057374079

### More Easy-To-Use Features

- Brass Burners
- Electronic Ignition
- Conversion Kit Included
- Two Semi-Rapid Burner
- One Auxiliary Burner
- Wok Ring Included
- Four Sealed Burners

#### Front Left Burner:

- Max. 15,300 BTU/h

#### Rear Left Burner

- Max. 6,800 BTU/h

#### Rear Right Burner

- Max. 5,800 BTU/h

#### Front Right Burner

- Max. 3,400 BTU/h

### Signature Features

#### Stainless Steel Finish

Features a clean, modern aesthetic that elevates any kitchen

#### Triple Ring Burner

Delivers intense heat for high output cooking performance

#### Heavy Duty Continuous Cast Iron Grates

Allow easy movement of cookware while providing even heat distribution with better heat retention

#### Heavy Duty Metal Knobs

Combine high-end appearance and simple functionality

### Warranty

- 2 Year Warranty (Parts and Labor)

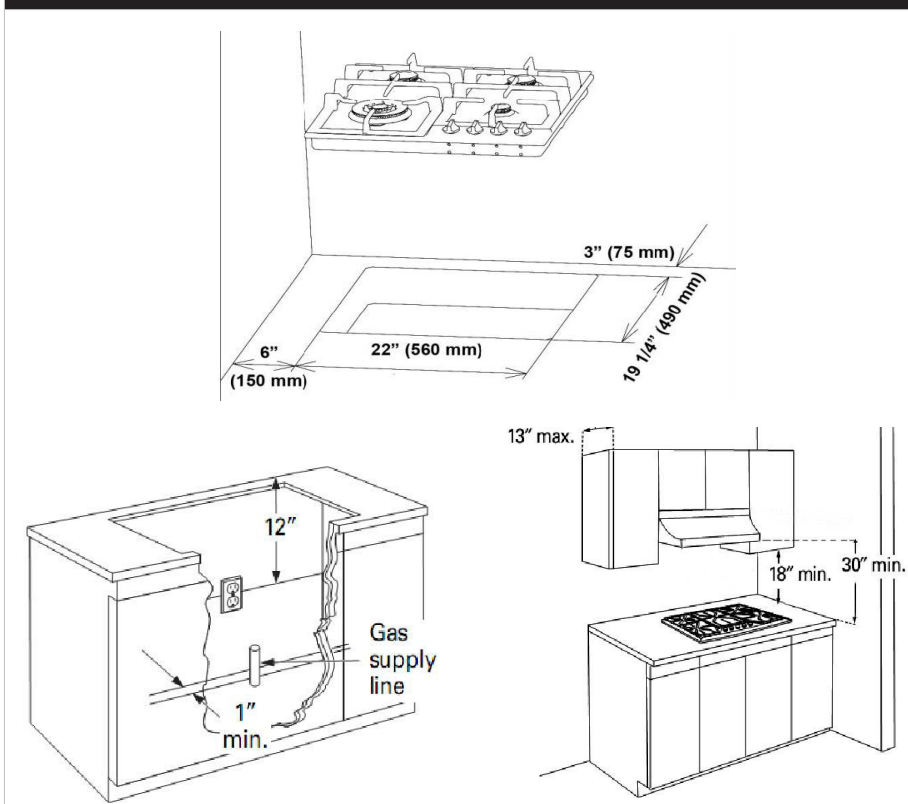
### Available Finishes



Stainless Steel

Cutout Dimension		in.
Cutout Width		22"
Cutout Depth		19 1/4"
Distance from front of cabinet to cooktop		Min. 18"
Distance from front of cabinet to ventilation		Min. 30"
Overall Packaging Details		
Packaging		lb./in.
Gross Weight		31 lb.
Dimensions	W	25.39"
	D	22.64"
	H	6.50"
Power Requirements		
Electrical Rating		120V, 60Hz
Max Power (BTU/h)		31,300 (BTU/h)

### Product Technical Illustration



### General Appliance Information

Please read all installation details and instructions before use.

### Contact Us

For questions regarding this product please refer to our website at [haier.com](http://haier.com) or call our customer service center at 877-337-3639.

