

Futura Series  
Fully Integrated Dishwasher

PROFILINE PG 8083 SCVi



# Futura Series Dishwashers

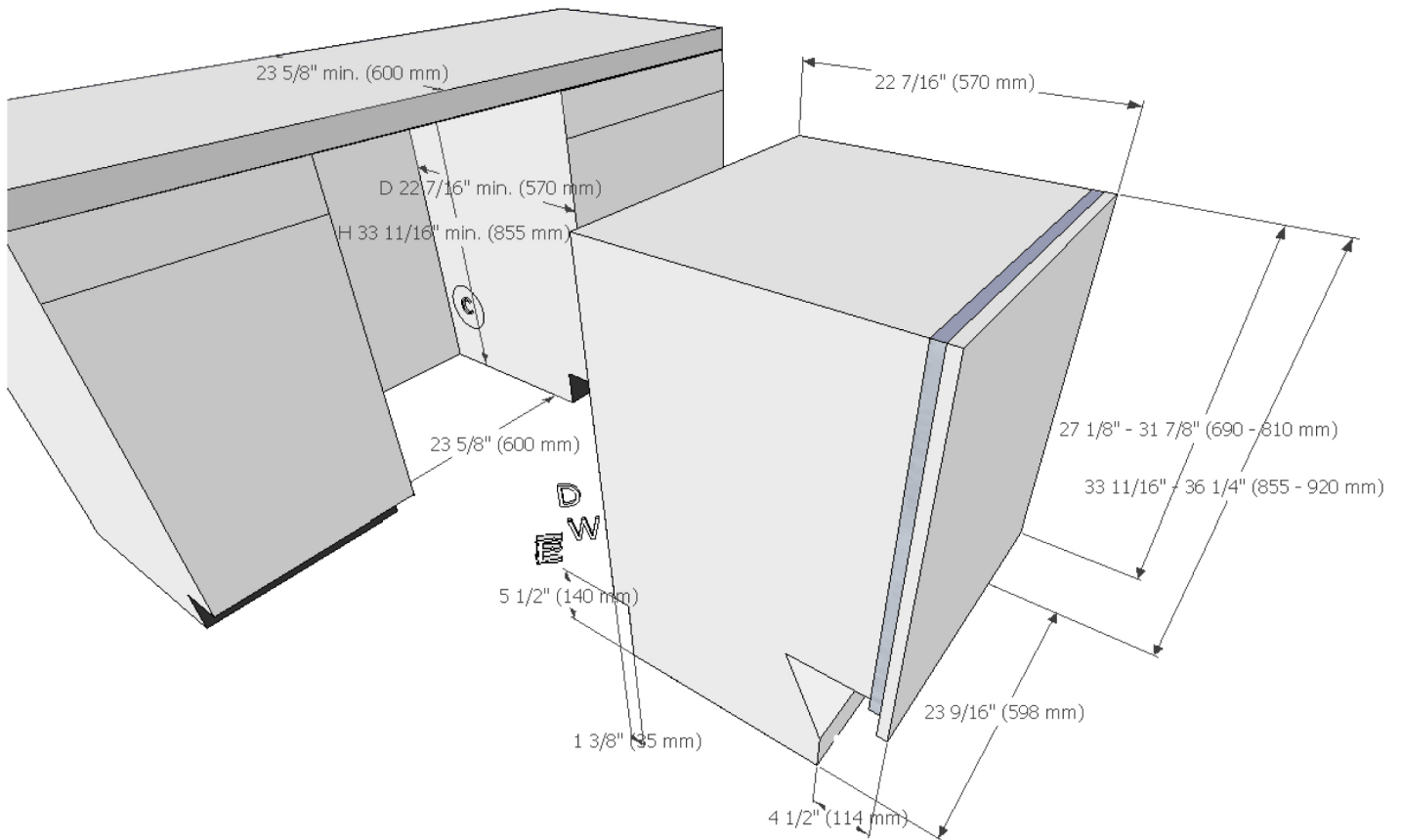
## Model Overview



		CLASSIC	CRYSTAL	DIMENSION	DIMENSION SLIMLINE	DIAMOND	PROFI LINE
Baskets	FlexiCare	•					
	FlexiCare Plus		•		•		
	FlexiCare Premium			•			
	FlexiCare Deluxe					•	•
Cutlery	Cutlery basket	•	•				
	Cutlery tray	•	•		•		
	3D cutlery tray			•		•	•
Convenience	AutoClose					•	•
	BrilliantLight					•	•
	Delay Start	•	•	•		•	•
	RemoteVision™					•	
	ComfortClose	•	•	•		•	•
	Perfect GlassCare		•	•	•	•	•
	Water softener		•	•	•	•	•
	ADA compliant*	•*		•*	•		
Q Acoustic ratings	Q1	Q2	Q4	Q3	Q5	Q1	
Sensors	AutoSensor	•	•	•	•	•	
	SensorDry			•		•	
	Automatic Load-Size Sensor					•	
Finishes	Pre-finished (Black or White)	•	•				
	Pre-finished (Clean Touch Steel™)	•	•	•			
	Integrated - I (Clean Touch Steel™)			•	•	•	
	Fully Integrated - Vi (Custom Panel)	•		•	•	•	•
	Fully Integrated - SC SF (Clean Touch Steel™)	•	•	•		•	
Programs	Normal	•	•	•	•	•	•
	Express		•		•	•	
	Rinse & Hold	•	•	•	•	•	
	SaniWash	•	•	•	•	•	
	Pots & Pans	•	•	•	•	•	•
	Economy	•					
	China & Crystal		•	•	•	•	•
	Turbo Mode	•	•	•		•	
	Intensive Mode			•		•	
Diamond Programs	ExtraQuiet			•		•	
	Heavy Soil					•	
	SensorWash					•	
	Light					•	
	Energy Saver					•	
	Plastics					•	•
	Starch/Cheese					•	
	Tall Items					•	
	Glass - No Rinse Aid (Warm)					•	
	Glass - No Rinse Aid (Cold)					•	
	Profiline Programs	ProSpeed 23 minute cycle					
Universal							•
Sanitize							•
Beer Glasses							•
Drying	CleanAir™	•	•	•	•	•	•
	Advanced CleanAir™					•	•
	AutoOpen™ Drying			•		•	•

\* Classic G 4281 SCVi and Dimension G 5670 SCVi are ADA compliant

# Futura Series ProfiLine Fully Integrated Dishwasher



## Location Codes

**C** – Cutout 2 1/4" x 4" (57 mm x 102 mm) for water, drain and electric pass-through.

Adjust according to water and drain location.

**D** - 5 foot (1.5 meter) flexible drain hose connects lower center rear.

**E** - 5 foot (1.5 meter) power supply cord connects lower left. Depending on version ordered (please specify) units comes with

- 1 ) 120V 3 wire molded plug - NEMA 5-15P (Miele article number: 61808365USA)
- 2 ) 208-240V 4 wire molded plug - NEMA 14-30P (Miele article number: 61808366USA)

**W** - 5 foot (1.5 meter) "Double Waterproof" flexible water intake hose connects lower center rear. The water hose comes equipped with a 3/4" female hose thread connector.

## Notes

All installations must be done in accordance with local codes.

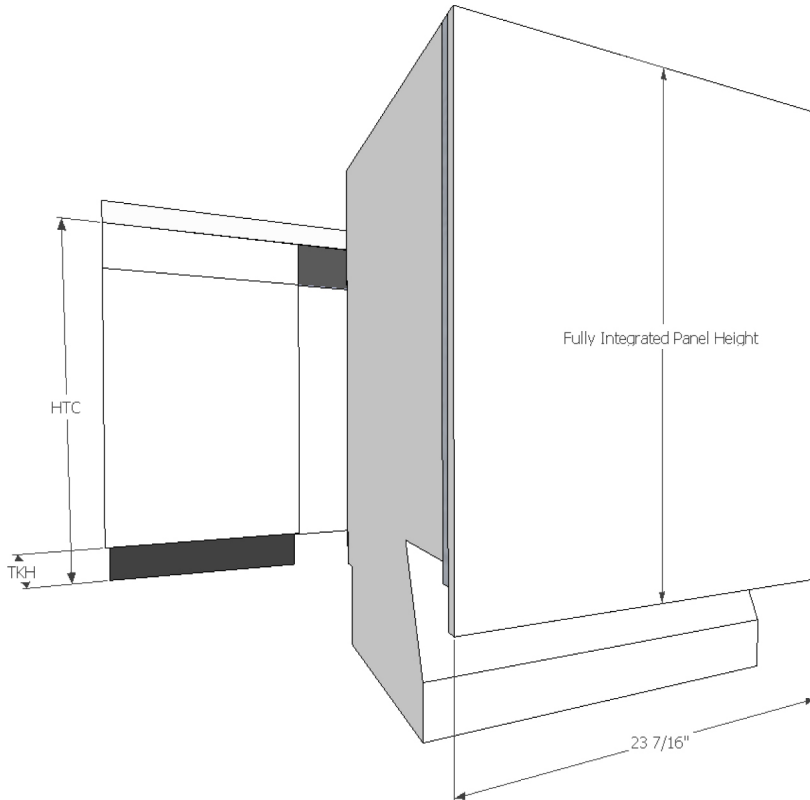
Drawing is not to scale

# Futura Series ProfiLine Fully Integrated Dishwasher



## Custom Panel Installations

Some Miele dishwashers do not come equipped with a front panel. These dishwashers are designed to accept a custom door panel supplied by the cabinet maker. Miele has a unique panel integration system which allows the dishwasher to align with the surrounding cabinets.



**Width:** 23 7/16" (598 mm) in all cases

**Thickness:** 3/4" (19 mm) in all cases

**Height:** Determined using the following calculation:

$$\text{Panel Height} = \text{HTC} - \text{TKH}$$

**HTC** = Height to the underside of countertop

**TKH** = Toe kick height

**Note:** Control panel is along the top edge of the unit. It is not visible when the unit is closed. A handle **MUST** be located on the front panel in order to open the unit.

Maximum panel height: 31 7/8" (809 mm)

Minimum panel height: 27 3/16" (690 mm)

Maximum panel weight: 21 Pounds (9.5 kg)

## GFVI Installations

Miele offers pre-fabricated stainless steel panels for all fully integrated units. These panels are designed for various toe-kick heights and offer a choice of handle options.

Drawing is not to scale

# Futura Series ProfiLine Fully Integrated Dishwasher



		Height to underside of countertop										
		33 3/4	34	34 1/4	34 1/2	34 3/4	35	35 1/4	35 1/2	35 3/4	36	
Toe Kick Height	2 1/2	Acceptable combinations	Acceptable combinations	Acceptable combinations	Acceptable combinations	Acceptable combinations						
	3	Acceptable combinations	Acceptable combinations	Acceptable combinations	Acceptable combinations	Acceptable combinations	Acceptable combinations	Acceptable combinations	Acceptable combinations			
	3 1/2	Acceptable combinations	Acceptable combinations	Acceptable combinations	Acceptable combinations	Acceptable combinations	Acceptable combinations	Acceptable combinations	Acceptable combinations	Acceptable combinations	Acceptable combinations	
	4	Acceptable combinations	Acceptable combinations	Acceptable combinations	Typical American installation	Acceptable combinations	Acceptable combinations	Acceptable combinations	Acceptable combinations	Acceptable combinations	Acceptable combinations	
	4 1/2	Acceptable combinations	Acceptable combinations	Acceptable combinations	Acceptable combinations	Acceptable combinations	Acceptable combinations	Acceptable combinations	Acceptable combinations	Acceptable combinations	Acceptable combinations	
	5	Acceptable combinations	Acceptable combinations	Acceptable combinations	Acceptable combinations	Acceptable combinations	Acceptable combinations	Acceptable combinations	Acceptable combinations	Acceptable combinations	Acceptable combinations	
	5 1/2	Acceptable combinations	Acceptable combinations	Acceptable combinations	Acceptable combinations	Acceptable combinations	Acceptable combinations	Acceptable combinations	Acceptable combinations	Acceptable combinations	Acceptable combinations	
	6	Acceptable combinations	Acceptable combinations	Acceptable combinations	Acceptable combinations	Acceptable combinations	Acceptable combinations	Acceptable combinations	Acceptable combinations	Acceptable combinations	Acceptable combinations	
	6 1/2	Acceptable combinations	Acceptable combinations	Acceptable combinations	Acceptable combinations	Acceptable combinations	Acceptable combinations	Acceptable combinations	Acceptable combinations	Acceptable combinations	Acceptable combinations	
	7			Acceptable combinations	Acceptable combinations	Acceptable combinations	Acceptable combinations	Acceptable combinations	Acceptable combinations	Acceptable combinations	Acceptable combinations	
	7 1/2						Acceptable combinations	Acceptable combinations	Acceptable combinations	Acceptable combinations	Acceptable combinations	
	8									Acceptable combinations	Acceptable combinations	
	8 1/2											
					Acceptable combinations							
				Typical American installation								