

36" Dual Fuel Range



Made in Italy



** Optional Cooktop Surfaces

<p>6 burners</p>	<p>Multifunction oven</p> <p>UM-906-MP</p>
<p>Giddle Top</p>	<p>Multifunction oven</p> <p>UM-90F-MP</p>

Stainless Steel
True White
Matte Graphite
Antique White
Burgundy Red
Midnight Blue
Emerald Green

Hood, Backsplash and Warming Self are Optional

Handrail Optional
 Scroll Legs: Optional
 Tubular Legs: N/C Option

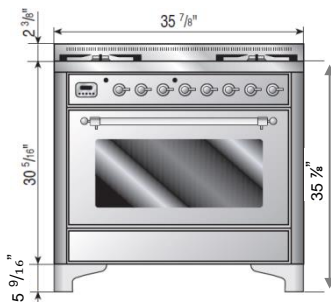
Specifications	
Model Number	UM-90
Size	36"
Type	Dual Fuel
Digital Clock and Timer	Yes
Electronic Ignition	Yes
Wok Ring & Simmer Plate	Yes
Control Knobs	Chrome, Brass, ORB *
Colors	SS, Matte Graphite, Antique White, Midnight Blue, True White, Burgundy, Emerald Green
Full Size Warming Drawer	125° - 200°
Liquid Propane (LP)	Kit Included
Power Requirements	120/208-240 Volt 60Hz. 30 Amp
Burners	4-6
Triple Ring Burners (2)	15,500 BTU **
Big Burner (3)	10,500 BTU **
Small Burner (1)	7,000 BTU
French Top	Not available
Griddle	10,500 BTU Optional **
Flame Failure Safety Device	Yes
Cast Iron Grates	Continuous
Continuous Clean Panels	Optional
Multi Function	8 Function
Oven Capacity (Cu Ft.)	3.55
Convection Bake	Yes
Convection Broil	Yes
Grill-Baking or Broiler	Yes
Power Rating	3,700 Watts
Oven Temperature Range	75° - 525°
Preheat Indicator Lamp	Yes
Racks	2
Proofing Mode	Yes
Rotisserie	Yes
Width (in)	35 7/8
Height (in) w/o Backguard	35 7/8 - 36 3/32
Height (in) of Backguard	2 3/8
Depth (in)	27 9/16
Weight (lbs.)	355

General Features
 Cook Top Features
 Main Oven Features
 Dimensions

Cooktop Options

- BBQ Grill
- Fry Top Cover
- Chopping Board
- Steam Basins
- Bain Marie – SS Basin
- Cast Iron Steak Pan

Optional Wrap Around Toe Kick



Accents:

- Brass
- Chrome
- Oil Rubbed Bronze *

