

SCR1005



48" x 21.25" x 22.5" (H x W x D)

Upright beverage merchandiser with digital thermostat

Highlights:

ETL-S listed for commercial use

Stainless steel trimmed glass door

Factory installed lock provides security you can count on

LED lighting offers full view of stored items

Product Features:

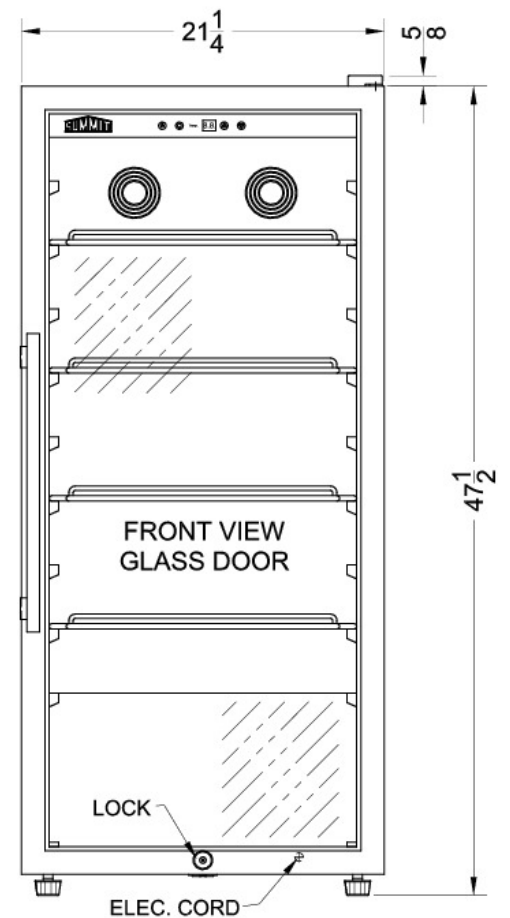
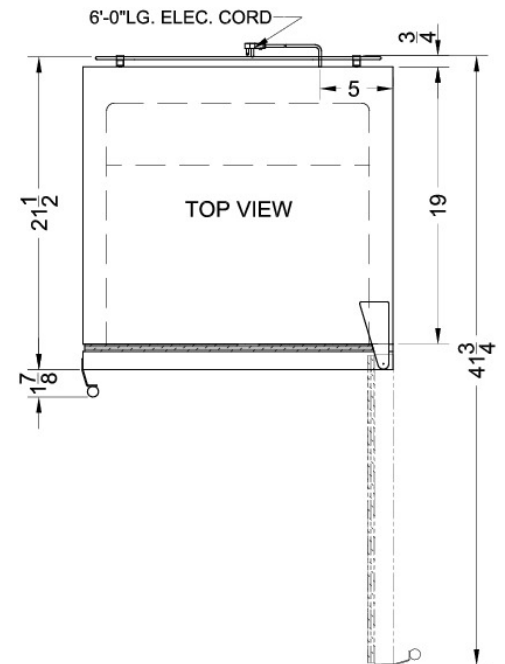
Commercially listed	ETL-S listed to NSF standards for commercial use
Digital thermostat	Electronic controls allow precise temperature management; Digital readout can be viewed in Celsius or Fahrenheit
Automatic defrost	Reduced maintenance with auto defrost system
Factory installed lock	Keyed lock for secure interior
LED lighting	Provides an attractive display of stored contents
Double pane tempered glass door	Heat-safe design offers full display, with a stainless steel trim for an added touch of style
Fan-forced cooling	Internal fan ensures evenly cooled interior
Adjustable shelves	Rearrange refrigerator space to accommodate all sizes or remove shelves for simple cleanup
Professional handle	Sturdy chrome handles add a professional look



SCR1005 Specifications:

Overview	
Height	48.0"
Height to Hinge Cap	48.5"
Width	21.25"
Depth	22.5"
Depth with Handle	24.5"
Depth with door at 90°	42.0"
Capacity	9.0 cu.ft.
Defrost Type	Automatic
Door	Glass
Cabinet	White
US Electrical Safety	ETL
Canadian Electrical Safety	ETL-C
Sanitation	ETL-S
Amps	2.0
Voltage/Frequency	115 V AC/60 Hz
Weight	115.0 lbs.
Shipping Weight	135.0 lbs.
Parts & Labor Warranty	1 Year
Compressor Warranty	5 Years
Refrigerator Features	
Door Swing	RHD
Reversible	Yes
Shelf Type	Wire
Shelf Qty	5
Adjustable Shelves	Yes
Thermostat Type	Digital
Fan Type	Interior
Refrigerant Type	R134a
Refrigerant Amount	2.8
High Side PSI	270.0
Low Side PSI	103.0
Level Legs Qty	4
Interior Light	Yes
Dimensions	
Interior Height	42.0"
Interior Width	18.0"
Interior Depth	16.25"

Compressor Step Height	8.0"
Compressor Step Width	18.0"
Compressor Step Depth	4.0"



SUMMIT APPLIANCE DIVISION FELIX STORCH, INC.

770 Garrison Avenue, Bronx, NY 10474 USA TEL 718-893-3900 FAX 844-478-8799 info@summitappliance.com www.summitappliance.com