



# 48" Signature Series Refrigerator / Wine Reserve Specification Sheet

- Model Nos.**  
 HP48RW-B  
 HP48RW-S



HP48RW-S-3L-3R

### Features:

- Multi-zone, Multi-door undercounter refrigeration unit: Available in two separate temperature zones
- Designed with fully-integrated depth to allow flush fit with surrounding cabinetry (with 3/4" wood overlay)
- Zero-clearance hinging allows for abutment with surrounding cabinetry
- Perlick's exclusive Variable Speed Compressor
- Front-vented, forced-air refrigeration
- Industry Exclusive full-extension shelving
- Industry Exclusive stainless steel interior
- Two (2) year full warranty on complete unit – Additional four year limited warranty on the sealed refrigeration system
- Industry Exclusive Convertible Door Design allows all doors to be converted to wood overlay from stainless steel
- Low E, UV coated glass provides industry leading insulation and protection
- Doors lock available
- Interior digital display
- 12 cubic feet of capacity

### 48" refrigerator/wine reserve features:

- Industry Exclusive full-extension pullout shelving, shelves are adjustable
- Wine Reserve holds up to 48 wine bottles
- Refrigerator rated for both food and beverage storage
- Available with solid stainless steel door, glass with stainless trim, wood overlay or two (2) stainless steel drawers (refrigerator only)
- Refrigerator temperature 33 – 39 degrees F
- Wine Reserve temperature 40 – 65 degrees F

*Luxury* YOU DESIRE.  
 INNOVATION YOU CAN'T LIVE WITHOUT.



8300 W. Good Hope Rd. • Milwaukee, WI 53223

1-800-558-5592 • Fax: (414) 353-7069 • www.Perlick.com

Perlick is committed to continuous improvement. Therefore, we reserve the right to change specifications without warning

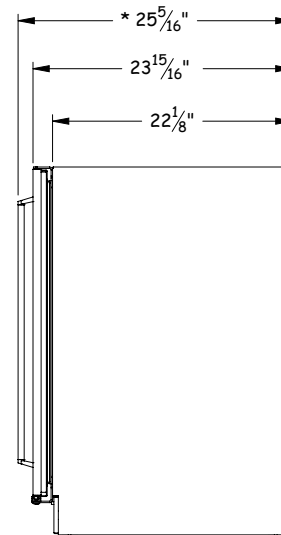
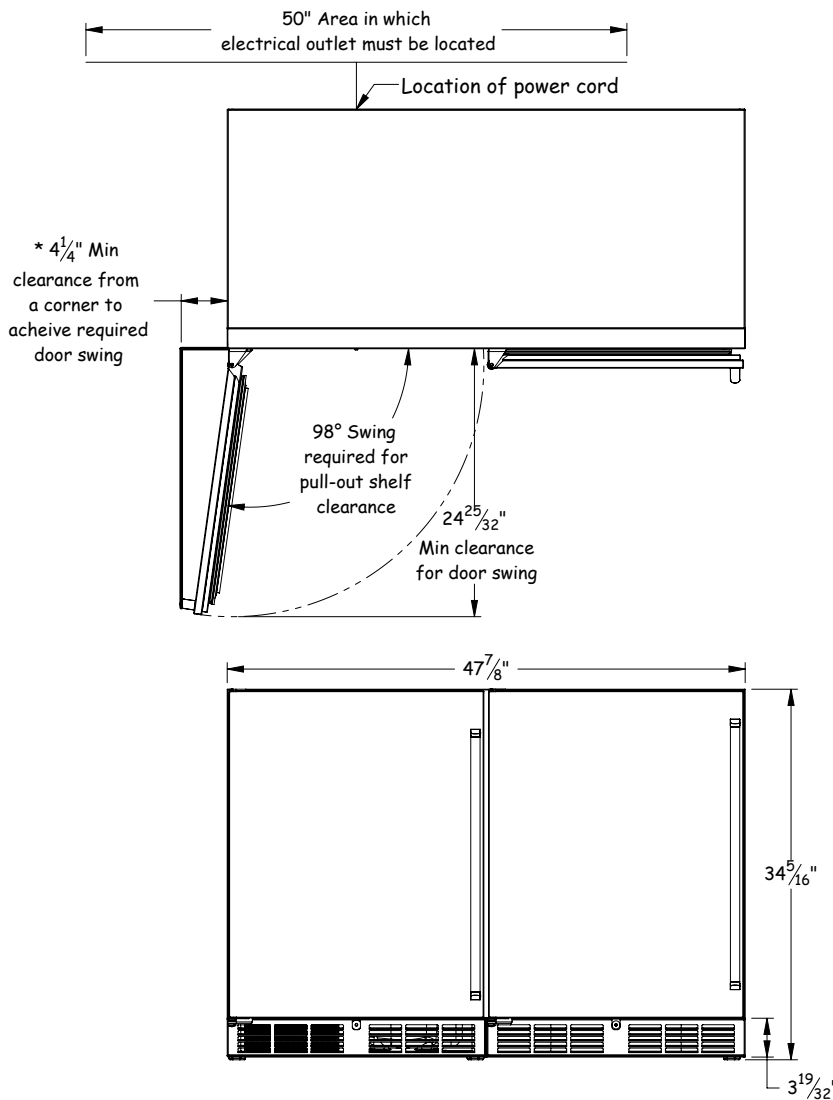
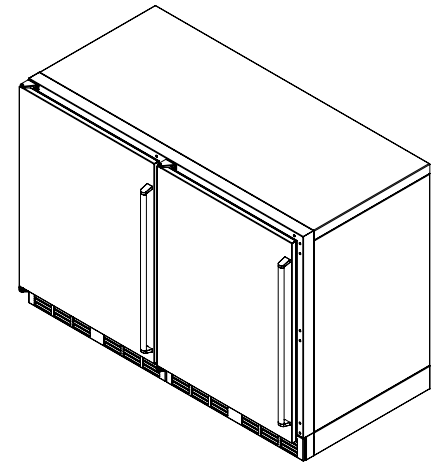
Indoor Models	Refrigerator/Wine
HP48RW-B	48" refrigerator/wine – built-in
HP48RW-S	48" refrigerator/wine – freestanding

Job \_\_\_\_\_  
 Area \_\_\_\_\_  
 Item No. \_\_\_\_\_  
 Model No. \_\_\_\_\_

Refrigerator Door Options
1 – solid stainless door (Left or Right hinge)
2 – solid wood overlay door (Left or Right hinge)
3 – stainless glass door (Left or Right hinge)
4 – wood overlay glass door (Left or Right hinge)
5 – solid stainless steel drawers
6 – solid wood overlay drawers

**Overall Width:** 47-7/8", 121.603 cm  
**Overall Height:** 34-5/16", 87.154 cm  
**Overall Depth:** 23-15/16", 60.801 cm  
**Capacity:** 12 cubic ft.  
**Minimum Height Required:** 34-3/8"  
**Door Swing Clearance:** 24-25/32"  
**Electrical:** 115V, 60 Hz., 1 phase AC, 2.3 amps  
**Plumbing:** none required  
**Shipping Weight:** 360 lbs.

Wine Reserve Door Options
1 – solid stainless door (Left or Right hinge)
2 – solid wood overlay door (Left or Right hinge)
3 – stainless glass door (Left or Right hinge)
4 – wood overlay glass door (Left or Right hinge)



\* - Values may change due to custom pull with a wood overlay door



8300 W. Good Hope Rd. • Milwaukee, WI 53223

1-800-558-5592 • Fax: (414) 353-7069 • www.Perlick.com

Perlick is committed to continuous improvement. Therefore, we reserve the right to change specifications without warning