



Bottom Freezer Refrigerator

Safety Instructions 2, 3

Operating Instructions

Control Settings 4
Thermistor 4
Storage Drawers 5
Ice Service 5
Care and Cleaning 6, 7

Installation Instructions

Advanced Planning 8
Refrigerator Features 9
Reversing the Door Swing 10, 11

Troubleshooting Tips

Normal Operating Sounds 12
Problem Solver 13, 14

Consumer Support

Warranty 16
Consumer Support Back Page

**Owner's Manual and
Installation Instructions**

GBE10ES

Congélateur supérieur
Réfrigérateurs

**Manuel d'utilisation
et d'installation**

La section française commence à la page 17

Congelador superior
Refrigeradores

**Manual del propietario
e instalación**

La sección en español empieza en la página 33

Write the model and serial numbers here:

Model # _____

Serial # _____

You can find them on a label inside the refrigerator.

IMPORTANT SAFETY INFORMATION. READ ALL INSTRUCTIONS BEFORE USING.

IMPORTANT SAFETY INFORMATION READ ALL INSTRUCTIONS BEFORE USING



GE Appliances website

For more information on your refrigerator's operation, visit GE Appliances at www.GEAppliances.com or call 800.GECARES (800.432.2737).
In Canada visit GEAppliances.ca or call 800.561.3344.

REFRIGERATOR SAFETY INFORMATION

! This is the safety alert symbol. This symbol alerts you to potential hazards that can kill or hurt you and others. All safety messages will follow the safety alert symbol and the word "DANGER", "WARNING", or "CAUTION". These words are defined as:

! DANGER Indicates a hazardous situation which, if not avoided, **will** result in death or serious injury.

! WARNING Indicates a hazardous situation which, if not avoided, **could** result in death or serious injury.

! CAUTION Indicates a hazardous situation which, if not avoided, **could** result in minor or moderate injury.

IMPORTANT SAFETY INSTRUCTIONS

! WARNING To reduce the risk of fire, explosion, electric shock, or injury when using your refrigerator follow these basic safety precautions:

- This refrigerator must be properly installed and located in accordance with the Installation Instructions before it is used.
- Unplug the refrigerator before making repairs, replacing a light bulb, or cleaning.
Note: Power to the refrigerator cannot be disconnected by any setting on the control panel.
Note: Repairs must be performed by a qualified service professional.
- Replace all parts and panels before operating.
- Do not store or use gasoline or other flammable vapors and liquids in the vicinity of this or any other appliance.
- Because of potential safety hazards under certain conditions, we strongly recommend against the use of an extension cord. However, if you must use an extension cord, it is absolutely necessary that it be a UL-listed (in the United States) or a CSA certified (in Canada), 3-wire grounding type appliance extension cord having a grounding type plug and outlet and that the electrical rating of the cord be 15 amperes (minimum) and 120 volts.
- To prevent suffocation and entrapment hazards to children, remove the fresh food and freezer doors from any refrigerator before disposing of it or discontinuing its use.
- Do not allow children to climb, stand or hang on the door handles or the shelves in the refrigerator. They could seriously injure themselves.

! CAUTION To reduce the risk of injury when using your refrigerator, follow these basic safety precautions.

- Do not clean glass shelves or covers with warm water when they are cold. Glass shelves and covers may break if exposed to sudden temperature changes or impact, such as bumping or dropping. Tempered glass is designed to shatter into many small pieces if it breaks. Do not wash any plastic refrigerator parts in the dishwasher.
- Keep fingers out of the "pinch point" areas; clearances between the doors and between the doors and cabinet are necessarily small. Be careful closing doors when children are in the area.
- Do not refreeze frozen foods which have thawed completely.
- In refrigerators with automatic icemakers, avoid contact with the moving parts of the ejector mechanism, or with the heating element that releases the cubes. Do not place fingers or hands on the automatic ice making mechanism while the refrigerator is plugged in.

IMPORTANT SAFETY INFORMATION. READ ALL INSTRUCTIONS BEFORE USING.

GEAppliances.com

WARNING Explosion Hazard.

Keep flammable materials and vapors, such as gasoline, away from refrigerator. Failure to do so can result in fire, explosion, or death.

CONNECTING ELECTRICITY

WARNING Electrical Shock Hazard.

Plug into a grounded 3-prong outlet
Do not remove the ground prong
Do not use an adapter
Failure to follow these instructions can result in death, fire, or electrical shock.



Do not, under any circumstances, cut or remove the third (ground) prong from the power cord. For personal safety, this appliance must be properly grounded.

The power cord of this appliance is equipped with a 3-prong (grounding) plug which mates with a standard 3-prong (grounding) wall outlet to minimize the possibility of electric shock hazard from this appliance.

Have the wall outlet and circuit checked by a qualified electrician to make sure the outlet is properly grounded.

Where a standard 2-prong wall outlet is encountered, it is your personal responsibility and obligation to have it replaced with a properly grounded 3-prong wall outlet. Do not use an adapter.

The refrigerator should always be plugged into its own individual electrical outlet which has a voltage rating that matches the rating plate.

This provides the best performance and also prevents overloading house wiring circuits which could cause a fire hazard from overheated wires.

Never unplug your refrigerator by pulling on the power cord. Always grip plug firmly and pull straight out from the outlet.

Repair or replace immediately all power cords that have become frayed or otherwise damaged. Do not use a cord that shows cracks or abrasion damage along its length or at either end.

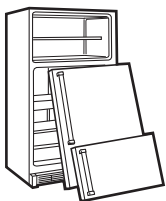
When moving the refrigerator away from the wall, be careful not to roll over or damage the power cord.

PROPER DISPOSAL OF YOUR OLD REFRIGERATOR

WARNING Suffocation and child entrapment hazard.

Remove fresh-food and freezer doors from the refrigerator, prior to disposal. Failure to do so can result in child entrapment which can lead to death or brain damage.

IMPORTANT:



Child entrapment and suffocation are not problems of the past. Junked or abandoned refrigerators are still dangerous even if they will sit for "just a few days." If you are getting rid of your old refrigerator, please follow the instructions below to help prevent accidents.

Before You Throw Away Your Old Refrigerator or Freezer:

- Take off the fresh food and freezer doors.
- Leave the shelves in place so that children may not easily climb inside.

Refrigerants

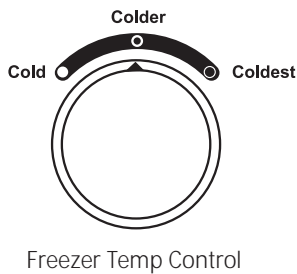
All refrigeration products contain refrigerants, which under federal law must be removed prior to product disposal. If you are getting rid of an old refrigeration product, check with the company handling the disposal about what to do.



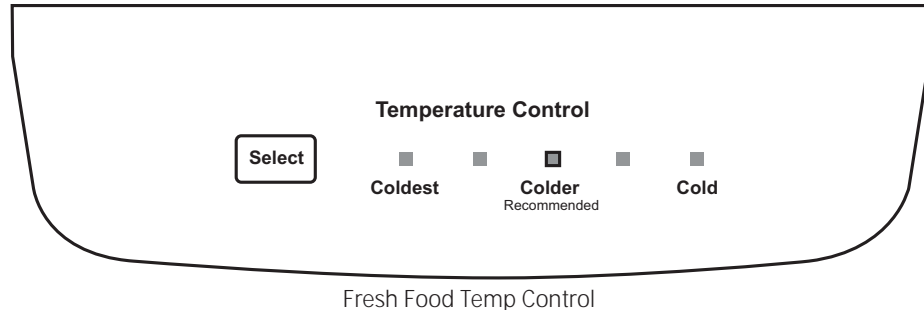
**READ AND FOLLOW THIS SAFETY INFORMATION CAREFULLY.
SAVE THESE INSTRUCTIONS**

About the control on the refrigerator.

Temperature Control



There is a temperature control in the fresh food compartment as well as the freezer compartment. Initially set the control to the recommended normal settings in the fresh food and freezer compartments. Allow 24 hours for the temperature to stabilize.



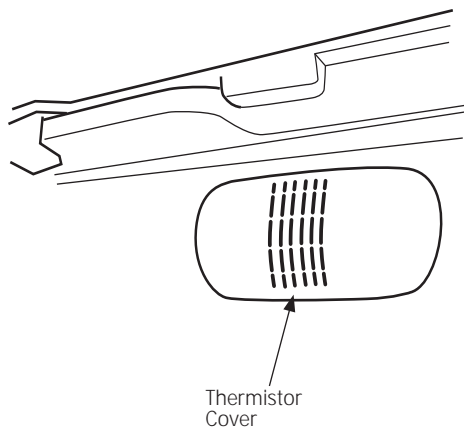
Control Settings

The fresh food control and the freezer control should be adjusted one increment at a time. Allow 12 hours after each adjustment for the compartment to reach the temperature you have set.

After each adjustment, check both the freezer and the fresh food compartments. Changing the fresh food control can affect the temperature of the freezer compartment. Likewise, changing the freezer control can affect the temperature of the fresh food compartment.

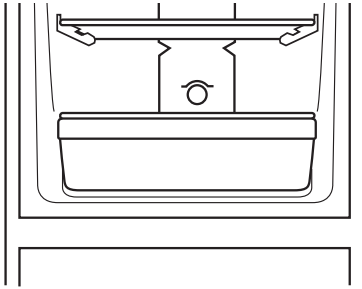
Control settings will vary based on personal preferences, usage and operating conditions and may require more than one adjustment. Factors that affect temperature include the amount of food in the fresh food and freezer compartments, frequency of door opening, and temperature of food when placed in either compartment.

Thermistor



The thermistor located on the right side wall of the fresh food compartment is one of the key elements for temperature control. Keep all items away from the thermistor cover as this will reduce the sensitivity of the thermistor and cause temperature issues. Food may freeze or become too warm depending on the compressor cycle if the air flow is blocked.

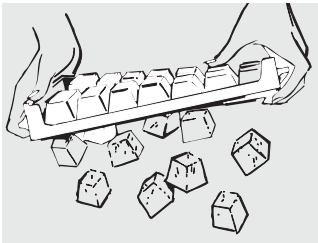
Fruit and Vegetable Drawers



This storage drawer provide space to store fruits, vegetables and meats.

To remove and replace the drawer and the cover above it, the door must be fully opened. In some installations, the refrigerator may have to be moved away from the wall for the door to be fully opened.

About ice service.



Ice Trays

To make ice, fill the ice tray with water and set it on a level surface in the freezer compartment. Ice cubes will form in a few hours.

To release ice cubes, turn the tray upside down, hold it over a container and twist both ends.

For only one or two ice cubes, leave the tray right-side up, twist both ends slightly and remove as many cubes as you want.

Wash ice trays in lukewarm water only—do not put them in an automatic dishwasher.

Care and cleaning of the refrigerator.

Cleaning the Outside

Keep the outside clean. Wipe with a clean cloth lightly dampened with mild liquid dish detergent. Dry with a clean, soft cloth.

Do not wipe the stainless steel door with a soiled dishcloth or wet towel. These may leave a residue that can erode the finish. Do not use scouring pads, powdered cleaners, bleach or cleaners containing bleach because these products can scratch and weaken the finish. Use only a liquid cleanser free of grit and rub in the direction of the brush lines.

The stainless steel doors and door handles (on some models) can be cleaned with a commercially available stainless steel cleaner. Cleaners with oxalic acid such as Bar Keepers Friend Soft Cleanser™ will remove surface rust, tarnish and small blemishes. Use only a liquid cleanser free of grit and rub in the direction of the brush lines with a damp soft sponge. Do not use appliance wax or polish on the stainless steel.

Protect the paint finish. The finish on the outside of the refrigerator is a high quality, baked-on paint finish. With proper care, it will stay new-looking and rust free for years. Apply a coat of kitchen/appliance wax when the refrigerator is new, and then at least twice a year.

Cleaning the Inside

To help prevent odors, leave an open box of baking soda in the fresh food and freezer compartments.

Unplug the refrigerator before cleaning.

If this is not practical, wring excess moisture out of sponge or cloth when cleaning around switches, lights or controls.

Use warm water and baking soda solution—about a tablespoon (15 ml) of baking soda to a quart (1 liter) of water. This both cleans and neutralizes odors. Rinse and wipe dry.

Other parts of the refrigerator—including door gaskets, fruit and vegetable drawers, and all plastic parts—can be cleaned the same way.

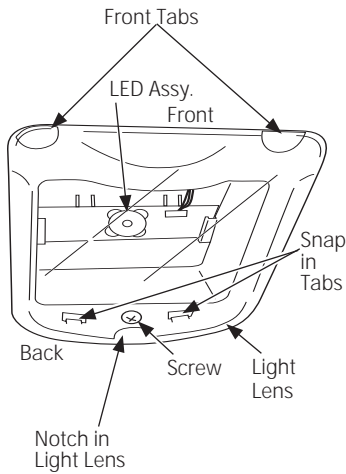
After cleaning the door gaskets, apply a thin layer of petroleum jelly to the door gaskets at the hinge side. This helps keep the gaskets from sticking and bending out of shape. Do not use cleansing powders or other abrasive cleaners.

CAUTION

Do not clean glass shelves or covers with warm water when they are cold. Glass shelves and covers may break if exposed to sudden temperature changes or impact such as bumping or dropping. Tempered glass is designed to shatter into many small pieces if it breaks.

Do not wash any plastic refrigerator parts in the dishwasher.

Replacing the LED Light



The LED light is located behind a light lens in the ceiling of the refrigerator section.

To replace the LED light:

- 1 Remove the top shelf (if necessary).
- 2 Remove the Phillips screw at the back of the light lens. Using your finger in the notch at the back of the lens, pull the light lens forward (toward the refrigerator door) and down to release the tabs at the back of the lens and then away from the front of the refrigerator to release the tabs at the front of the lens.
- 3 Slide the LED assembly from the mounting slot.
- 4 Gently pull the leads out and disconnect from the unit.
- 5 Replace with new LED assembly and slide assembly back into mounting slot.
- 6 Replace the light lens by sliding the tabs at the front of the lens into the slots and push up on the lens until the tabs at the back of the lens snap into place. Secure with the Phillips screw.
- 7 To order the LED assembly, please call GE Appliances at 800.GE.CARES (800.492.2737) during normal business hours.

Preparing for Vacation

For long vacations or absences, remove food and unplug the refrigerator. Clean the interior with a baking soda solution of one tablespoon (15 ml) of baking soda to one quart (1 liter) of water. Leave the doors open.

Preparing to Move

Remove food and unplug the refrigerator. Secure all loose items such as shelves and drawers by taping them securely in place to prevent damage.

Be sure the refrigerator stays in an upright position during moving.

Installation Instructions

Refrigerator

Model GBE10ES

If you have questions, call GE Appliances at 1.800.GE.CARES or visit our Website at: GEAppliances.com. In Canada, call 1.800.561.3344 or Visit our Website at: www.geappliances.ca.

BEFORE YOU BEGIN

Read these instructions completely and carefully.

- **IMPORTANT** – Save these instructions for local inspector's use.
- **IMPORTANT** – Observe all governing codes and ordinances.
- **Note to Installer** – Be sure to leave these instructions with the Consumer.
- **Note to Consumer** – Keep these instructions for future reference.
- Skill level – Installation of this appliance requires basic mechanical skills.
- Completion time – Refrigerator Installation -15 minutes
Reversing the Door Swing - 1 hour
- Proper installation is the responsibility of the installer.
- Product failure due to improper installation is not covered under the Warranty.

LOCATION REQUIREMENTS

- Do not install the refrigerator where the temperature will go below 60°F (16°C) because it will not run often enough to maintain proper temperatures.
- Do not install the refrigerator where the temperature will go above 100°F (37°C) because it will not perform properly.
- Do not install the refrigerator in a location exposed to water (rain, etc.) or direct sunlight.
- Install it on a floor strong enough to support it fully loaded.

CLEARANCES

- Free-standing installation only.
- If the refrigerator is being installed next to a wall, leave sufficient space on the hinge side to allow the door to swing open enough to access the clear bins in the refrigerator compartment.
- Do not install within 5" (13 cm) of the range.
- Minimum Clearances: Back – 3" from the wall

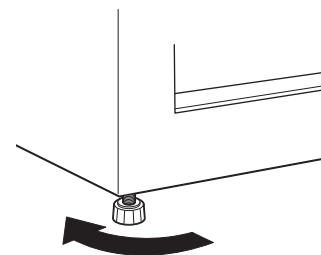
UNPACKING YOUR REFRIGERATOR

- Remove tape and any labels (except for the rating label) from your refrigerator. Tape or glue residue can also be removed by rubbing a small amount of liquid dish soap over the adhesive with your fingers. Wipe with warm water and dry.
- Do not use sharp instruments, rubbing alcohol, flammable fluids, or abrasive cleaners to remove tape or glue. These products can damage the surface of your refrigerator.
- When moving the refrigerator, do not tilt the refrigerator beyond 45° from upright position.

LEVELING LEGS

Adjustable legs at the front corners of the refrigerator should be set so the refrigerator is firmly positioned on the floor, and the front is raised just enough that the door closes easily when opened about halfway.

To adjust the leveling legs, turn the legs **clockwise** to raise the refrigerator, **counterclockwise** to lower it.



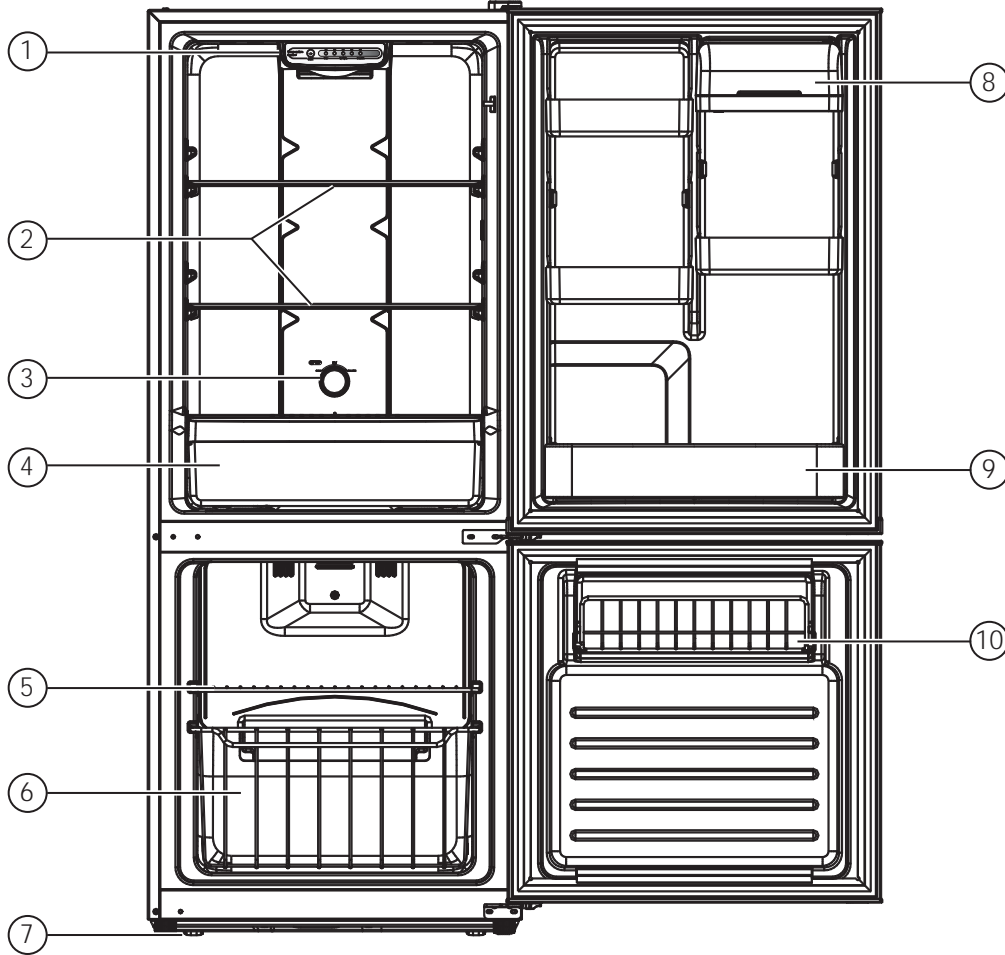
To raise the refrigerator

POWER CORD

- Plug the refrigerator power cord into its own properly grounded wall outlet with a voltage rating matching that on the refrigerator rating plate.
- Do not use an extension cord.
- Read all safety precautions on pages 2 and 3.

Installation Instructions

REFRIGERATOR FEATURES



1	Refrigerator Temperature Control	6	Freezer - Storage Basket
2	Refrigerator Shelves	7	Leveling Legs
3	Freezer Temperature Control	8	Door Bins
4	Vegetable Crisper with Glass Cover and Humidity Control	9	Gallon/2-Liter Bottle Storage Door Bin
5	Freezer Shelf	10	Freezer Door with Storage Space

Installation Instructions

REVERSING THE DOOR SWING

IMPORTANT NOTES

When reversing the door swing:

- Read the instructions all the way through before starting.
- Handle parts carefully to avoid scratching paint.
- Set screws down by their related parts to avoid using them in the wrong places.
- Provide a non-scratching work surface for the doors.
- It is recommended that 2 people perform this task.

IMPORTANT: Once you begin, do not move the cabinet until door-swing reversal is completed.

These instructions are for changing the hinges from the right side to the left side—if you ever want to change the hinges back to the right side, follow these same instructions and reverse all references to left and right.

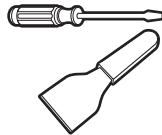
Unplug the refrigerator from its electrical outlet.

Empty all door shelves.

TOOLS YOU WILL NEED



8 mm Socket driver



Putty knife or
thin-blade screwdriver



Phillips screwdriver



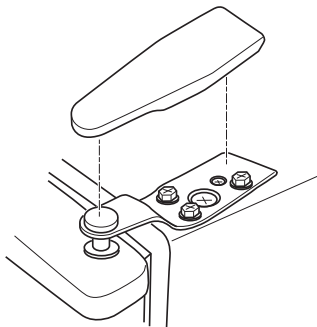
Masking tape

1 REMOVE THE FRESH FOOD DOOR

Remove the hinge cover. Unscrew and remove the top hinge.

Lift the fresh food door up and away from the appliance.

Set the door on a non-scratching surface with the outside up.



NOTICE: Do not let door drop to the floor. Doing so could damage the door stop.

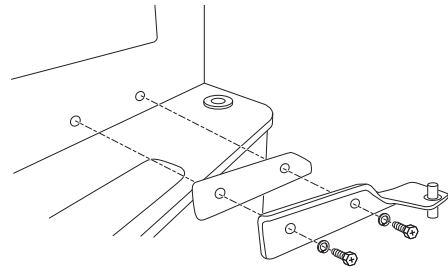
2 REMOVE THE FREEZER DOOR

Tape the door shut with masking tape.

Remove the center hinge by removing the screws. Lift up the hinge to remove it.

NOTE: Some models have a washer between the center hinge and the top of the freezer door. Be careful not to lose them.

Remove the tape holding the door shut.



Lift the freezer door up and off the bottom hinge.

Set the door outside-up on a non-scratching surface.

NOTE: When removing the door, watch for washer(s) between the bottom hinge and the bottom of the freezer door that may stick to the door. Do not lose.

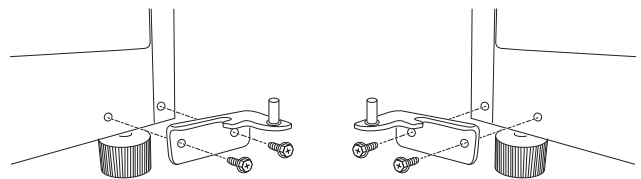
NOTICE: Do not let door drop to the floor. Doing so could damage the door stop.

3 BOTTOM HINGE

Remove the screws and bottom hinge from the right side. Remove the screw covers from the left corner.

Using the left hinge included with the parts that came with your refrigerator along with the screws (and washers if applicable) removed earlier, install the left hinge onto the bottom left of your refrigerator.

Place the screw covers into the holes now vacant on the right.



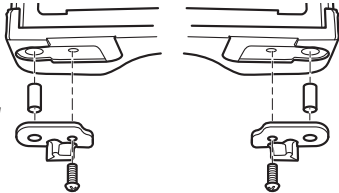
Installation Instructions

REVERSING THE DOOR SWING (CONT.)

4 TRANSFER FREEZER DOOR STOP TO THE LEFT

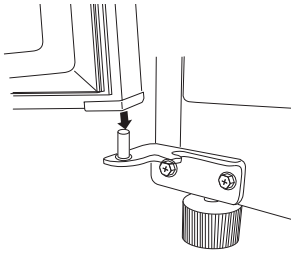
Remove the door stop from the bottom of the right side of the door. Transfer the screw covers from the bottom left side to the right side.

Using the left door stop included with the parts that came with your refrigerator, install the left door stop.

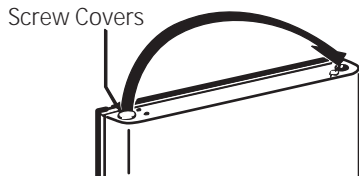


5 REHANG THE FREEZER DOOR

Make sure the washer(s) are in place on the bottom hinge pin. Make sure the door is aligned horizontally and vertically. Place the freezer door on the bottom hinge, close the door and tape it in place with masking tape.



Remove the screw covers from the left edge of the door and insert it into the hole on the opposite side.



6 INSTALL CENTER HINGE ON THE LEFT

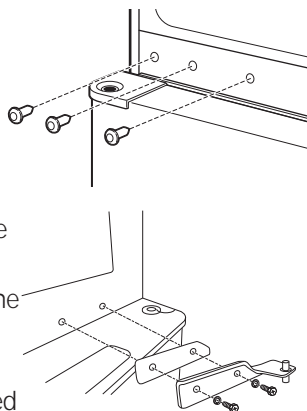
Remove the three screw covers on the left side and install two of them on the right.

Using the middle hinge and screws (and washers if applicable) removed earlier, install the left middle hinge on the left side.

Remove the tape holding the door shut.

NOTICE: When assembled correctly, the hinge is tight against the cabinet.

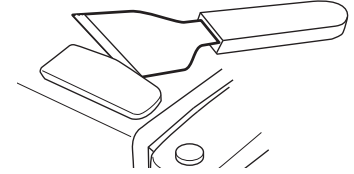
ATTENTION: The screws must be properly tightened. Turn the screws until snug. Then tighten the screws a minimum of 1/2 turn using both hands.



7 TRANSFER TOP HINGE TO THE LEFT

Using a putty knife with the edge covered with masking tape, remove the screw cover on the left. Be careful of the paint finish.

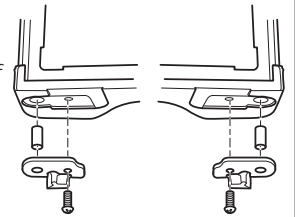
Reinstall the screw cover on the right side.



8 TRANSFER FRESH FOOD DOOR STOP TO THE LEFT

Remove the door stop from the bottom of the right side of the door. Transfer the screw covers from the bottom left side to the right side.

Using the left door stop included with the parts that came with your refrigerator, install the left door stop.

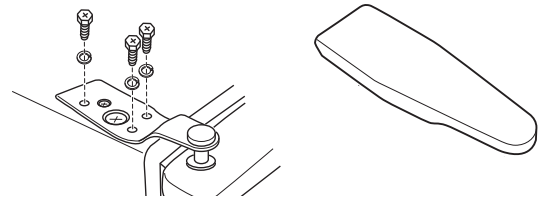


9 REHANG THE FRESH FOOD DOOR

Transfer the screw cover on top of the door to the opposite side.

Place the fresh food door on the center hinge over the pin. Assure the door is aligned horizontally and vertically, and that the gasket seals on all sides.

Attach the top hinge removed earlier on the left side of your refrigerator and replace the hinge cover



Normal operating sounds.



Newer refrigerators sound different from older refrigerators. Modern refrigerators have more features and use newer technology.

Do you hear what I hear? These sounds are normal.

**HUMMM...
WHOOSH...**

- The new high efficiency compressor may run faster and longer than your old refrigerator and you may hear a high-pitched hum or pulsating sound while it is operating.
- You may hear a whooshing sound when the doors close. This is due to pressure equalizing within the refrigerator.



- You may hear the fans spinning at high speeds. This happens when the refrigerator is first plugged in, when the doors are opened frequently or when a large amount of food is added to the refrigerator or freezer compartments. The fans are helping to maintain the correct temperatures.

CLICKS, POPS, CRACKS and CHIRPS

- You may hear cracking or popping sounds when the refrigerator is first plugged in. This happens as the refrigerator cools to the correct temperature.
- The compressor may cause a clicking or chirping sound when attempting to restart (this could take up to 5 minutes).
- Expansion and contraction of cooling coils during and after defrost can cause a cracking or popping sound.
- On models with an ice maker, after an ice making cycle, you may hear the ice cubes dropping into the ice bucket.

WATER SOUNDS



- The flow of refrigerant through the freezer cooling coils may make a gurgling noise like boiling water.
- Water dropping on the defrost heater can cause a sizzling, popping or buzzing sound during the defrost cycle.
- A water dripping noise may occur during the defrost cycle as ice melts from the evaporator and flows into the drain pan.
- Closing the door may cause a gurgling sound due to pressure equalization.



*Troubleshooting Tips
Save time and money! Review the charts on the following pages first and you may not need to call for service.*

<i>Problem</i>	<i>Possible Causes</i>	<i>What To Do</i>
<i>Refrigerator does not operate</i>	Refrigerator in defrost cycle.	Wait about 30 minutes for defrost cycle to end.
	Refrigerator is unplugged.	Push the plug completely into the outlet.
	The fuse is blown/circuit breaker is tripped.	Replace fuse or reset the breaker.
<i>Vibration or rattling (slight vibration is normal)</i>	Front leveling legs need adjusting.	See Leveling Legs.
<i>Motor operates for long periods or cycles on and off frequently. (Modern refrigerators with more storage space and a larger freezer require more operating time. They start and stop often to maintain even temperatures.)</i>	Normal when refrigerator is first plugged in.	Wait 24 hours for the refrigerator to completely cool down.
	Often occurs when large amounts of food are placed in refrigerator.	This is normal.
	Door left open.	Check to see if a package is holding door open.
	Hot weather or frequent door openings.	This is normal.
	Temperature control set at the coldest setting.	See About the control.
<i>Fresh food or freezer compartment too warm</i>	Temperature control not set cold enough.	See About the control.
	Warm weather or frequent door openings.	Set the temperature control one step colder. See About the control.
	Door left open.	Check to see if a package is holding door open.
<i>Frost or ice crystals on frozen food (frost within package is normal)</i>	Door left open.	Check to see if a package is holding door open.
	Too frequent or too long door openings.	
<i>Ice cubes have odor/taste</i>	Food transmitting odor/taste to ice cubes.	Wrap foods well.
	Interior of refrigerator needs cleaning.	See Care and cleaning.
<i>Slow ice cube freezing</i>	Door left open.	Check to see if package is holding door open.
	Temperature control not set cold enough.	See About the control.
<i>Refrigerator has odor</i>	Foods transmitting odor to refrigerator.	Foods with strong odors should be tightly wrapped. Keep an open box of baking soda in the refrigerator; replace every three months.
	Interior needs cleaning.	See <i>Care and cleaning</i> .
<i>Moisture forms on outside of refrigerator</i>	Not unusual during periods of high humidity.	Wipe surface dry.
<i>Moisture collects inside (in humid weather, air carries moisture into refrigerator when doors are opened)</i>	Too frequent or too long door openings.	

Before you call for service...



Troubleshooting Tips

Save time and money! Review the charts on the following pages first and you may not need to call for service.

<i>Problem</i>	<i>Possible Causes</i>	<i>What To Do</i>
<i>Interior light does not work</i>	No power at outlet.	Replace fuse or reset the breaker.
	LED light burned out.	See <i>Replacing the LED light</i>
<i>Food is freezing in the refrigerator</i>	Food too close to the air vent at the back of the refrigerator.	Move the food away from the air vent.
	Refrigerator control is set too cold.	Move the refrigerator control to a warmer temperature setting one increment at a time. See <i>About the controls</i> .
	<i>Food too close to the thermistor cover and blocks the air flow to the thermistor.</i>	Move the food away from the thermistor cover.
Rust, tarnish, or grime on stainless steel doors	Moist environment or salt air.	Clean stainless steel with cleaners containing oxalic acid (e.g. Bar Keepers Friend Soft Cleanser) will remove rust, lime, and other tarnish. Do not wipe the refrigerator with a soiled dish cloth or wet towel. Do not use scouring pads, powdered cleaners, bleach or cleaners containing bleach because these products can scratch and ruin the brush finish of the stainless steel.

Refrigerator Warranty.



For US Customers, all warranty service provided by our Factory Service Centers, or an authorized Customer Care® technician. To schedule service, on-line, 24 hours a day, visit GE Appliances at GEAppliances.com, or call GE Appliances at 800.GE.CARES (800.432.2737). Please have serial number and model number available when calling for service.

In Canada, call 800.561.3344.

Servicing your refrigerator may require the use of the onboard data port for diagnostics. This gives a GE Appliances Factory Service technician the ability to quickly diagnose any issues with your appliance and helps improve its products by providing information on your appliance. If you do not want your appliance data to be sent to GE Appliances, please advise your technician NOT to submit the data at the time of service.

For the Period of:	GE Appliances Will Replace
One Year From the date of the original purchase	Any part of the refrigerator which fails due to a defect in materials or workmanship. During the limited one-year warranty , GE Appliances will also provide, free of charge , all labor and related service to replace the defective part.

What is Not Covered:

- Service trips to your home to teach you how to use the product.
- Improper installation, delivery or maintenance.
- Failure of the product if it is abused, misused, or used for other than the intended purpose or used commercially.
- Loss of food due to spoilage.
- Replacement of house fuses or resetting of circuit breakers.
- Damage caused after delivery.
- Replacement of the water filter cartridge, if included, due to water pressure that is outside the specified operating range or due to excessive sediment in the water supply.
- Replacement of the light bulbs, if included, or water filter cartridge, if included, other than as noted above.
- Damage to the product caused by accident, fire, floods or acts of God.
- Incidental or consequential damage caused by possible defects with this appliance.
- Product not accessible to provide required service.
- Damage to finish, such as surface rust, tarnish, or small blemishes not reported within 48 hours of delivery.
- Products which are not defective, broken, or which are working as described in the owner's manual.

EXCLUSION OF IMPLIED WARRANTIES—Your sole and exclusive remedy is product repair as provided in this Limited Warranty. Any implied warranties, including the implied warranties of merchantability or fitness for a particular purpose, are limited to one year or the shortest period allowed by law.

For US Customers: This warranty is extended to the original purchaser and any succeeding owner for products purchased for home use within the USA. If the product is located in an area where service by a GE Appliances Authorized Servicer is not available, you may be responsible for a trip charge or you may be required to bring the product to an Authorized GE Appliances Service location for service. In Alaska, the warranty excludes the cost of shipping or service calls to your home.

Some states do not allow the exclusion or limitation of incidental or consequential damages. This warranty gives you specific legal rights, and you may also have other rights which vary from state to state. To know what your legal rights are, consult your local or state consumer affairs office or your state's Attorney General.

Warrantor US: GE Appliances, Louisville, KY 40225

For Customers in Canada: This warranty is extended to the original purchaser and any succeeding owner for products purchased in Canada for home use within Canada. In-home warrant service will be provided in areas where it is available and deemed reasonable by Mabe to provide.

Warrantor Canada: MC Commercial, Burlington, Ontario, L7R 5B6

Mesures de sécurité..... 18, 19

Instructions de fonctionnement

Réglage des commandes.....20

Thermistance20

Bacs de rangement.....21

Production de glace21

Entretien et nettoyage..... 22, 23

Instructions d'installation

Planification 24

Composants du réfrigérateur25

Inversion de

l'ouverture des portes..... 26, 27

Troubleshooting Tips

Bruits normaux

de fonctionnement..... 28

Avant d'appeler

un réparateur 29, 30

Soutien au consommateur

Garantie 31

Soutien au consommateur 32

Écrivez ici le numéro de modèle et le
numéro de série :

Modèle # _____

Série # _____

Vous les trouvez sur une étiquette
dans le coin supérieur gauche du
compartiment réfrigérateur.

INSTRUCTIONS IMPORTANTES DE SÉCURITÉ. LISEZ TOUTES LES INSTRUCTIONS AVANT D'UTILISER VOTRE RÉFRIGÉRATEUR.



Site Internet d'Électroménagers GE

Pour de plus amples informations sur le fonctionnement de votre réfrigérateur, consultez le site www.electromenagersge.ca ou composez le 800.561.3344.

CONSIGNES DE SÉCURITÉ POUR LE RÉFRIGÉRATEUR

⚠ Ce symbole représente une alerte de sécurité. Ce symbole vous avise de dangers possibles pouvant causer la mort, des blessures ou autres. Tous les messages de sécurité seront précédés du symbole d'alerte de sécurité ainsi que des mots « DANGER », « AVERTISSEMENT » ou « MISE EN GARDE ». Ces messages sont les suivants :

⚠ DANGER

Signale une situation qui présente un danger imminent et qui, si elle n'est pas évitée, entraînera des blessures graves, voire la mort.

⚠ AVERTISSEMENT

Signale une situation qui présente un danger imminent et qui, si elle n'est pas évitée, peut entraîner des blessures graves, voire la mort.

⚠ ATTENTION

Signale une situation qui présente un danger imminent et qui, si elle n'est pas évitée, peut entraîner des blessures mineures ou graves.

IMPORTANTES CONSIGNES DE SÉCURITÉ

⚠ AVERTISSEMENT

Pour réduire le risque d'incendie, d'explosion, de choc électrique ou de blessures lorsque vous utilisez votre réfrigérateur, veuillez suivre ces consignes de sécurité :

- Ce réfrigérateur doit être correctement installé conformément aux Consignes d'Installation avant toute utilisation.
- Débranchez le réfrigérateur avant d'effectuer une réparation, de remplacer une ampoule ou de le nettoyer.
Remarque : L'alimentation du réfrigérateur ne peut être déconnectée par aucune des fonctions sur le panneau de commande.
Remarque : Les réparations doivent être effectuées par un professionnel qualifié.
- Remettez toutes les pièces et panneaux en place avant d'utiliser l'appareil.
- Ne stockez pas ou n'utilisez pas d'essence ou d'autres vapeurs et liquides inflammables à proximité de cet appareil ou de tout autre appareil électroménager.
- Nous déconseillons fortement l'utilisation d'une rallonge à cause

des risques potentiels dans certaines conditions. Cependant, si l'utilisation d'un cordon prolongateur est nécessaire, ce dernier doit obligatoirement être homologué UL (aux USA) ou CSA (au Canada), à trois brins avec mise à la terre pour appareil électroménager et doit être équipé d'une fiche et d'une prise femelle avec terre. Les caractéristiques électriques du cordon prolongateur doivent être de 15 ampères (minimum) et de 120 volts.

- Pour éviter les risques d'asphyxie et d'enfermement pour les enfants. Démontez les portes du congélateur et du compartiment de réfrigération avant de le mettre au rebut ou d'interrompre son utilisation.
- Ne laissez pas les enfants grimper, se mettre debout ou se suspendre aux poignées de portes dans le réfrigérateur ou aux clayettes du réfrigérateur. Ils pourraient se blesser gravement.

⚠ ATTENTION

Pour réduire le risque de blessures lorsque vous utilisez votre réfrigérateur, veuillez suivre ces consignes de sécurité.

- Ne nettoyez pas les clayettes ou les couvercles en verre avec de l'eau tiède quand ceux-ci sont froids. Les clayettes et couvercles en verre peuvent se casser s'ils sont exposés à des changements soudains de température ou si vous les cognez ou les faites tomber. Le verre trempé est conçu pour se briser en petits morceaux en cas de casse.
- Éloignez les doigts des parties du congélateur où l'on peut facilement se pincer : les espaces entre les portes, et entre les portes et les placards sont toujours étroits. Soyez prudent lorsque vous fermez les portes en présence d'enfants.

- Ne recongelez pas les aliments surgelés qui ont complètement dégelé.
- Si votre réfrigérateur est doté d'une machine à glaçons automatique, évitez le contact avec les pièces mobiles du mécanisme éjecteur, ou avec l'élément chauffant qui libère les glaçons. Ne posez pas les doigts ou les mains sur le mécanisme de la machine à glaçons automatique pendant que le réfrigérateur est branché.

INSTRUCTIONS IMPORTANTES DE SÉCURITÉ. LISEZ TOUTES LES INSTRUCTIONS AVANT D'UTILISER VOTRE RÉFRIGÉRATEUR.

www.electromenagersge.ca

INSTALLATION



AVERTISSEMENT  **Risque d'explosion.**

Conservez les matériaux et vapeurs inflammables tels que l'essence à l'écart de votre réfrigérateur. Une explosion, un incendie voire la mort pourrait en résulter.

BRANCHEMENTS ÉLECTRIQUES



AVERTISSEMENT  **Risque de choc électrique.**

Branchez l'appareil dans une prise triple avec terre.

Ne retirez pas la broche de terre.

N'utilisez pas d'adaptateur.

Le non-respect de ces instructions peut entraîner des risques d'incendies, des chocs électriques ou la mort.



Ne coupez pas ou n'enlevez pas, sous aucun prétexte, la troisième broche de mise à la terre du cordon d'alimentation. Pour des raisons de sécurité, cet appareil doit être correctement mis à la terre.

Le cordon d'alimentation de cet appareil est équipé d'une fiche à trois broches (pour une mise à la terre) qui s'adapte à la prise de courant standard à 3 broches (pour une mise à la terre) pour minimiser les risques de chocs électriques par cet appareil.

Faites vérifier la prise murale et le circuit électrique par un électricien qualifié pour s'assurer que le système est correctement mis à la terre.

Dans le cas d'une prise biphasée, l'installateur a la responsabilité et l'obligation de la remplacer par une prise triphasée correctement mise à la terre. N'utilisez pas d'adaptateur.

Le réfrigérateur doit toujours être branché à sa propre prise électrique d'une tension nominale correspondant à celle indiquée sur sa plaque signalétique.

Une alimentation électrique à 115 volts CA, 60 Hz, avec un fusible de 15 ou 20 ampères et une mise à la terre est nécessaire. Ceci permet d'obtenir un meilleur rendement et évite de surcharger les circuits électriques du domicile qui risque d'occasionner un incendie en surchauffant.

Ne débranchez jamais le réfrigérateur en tirant sur le cordon d'alimentation. Prenez toujours fermement la fiche en main et tirez pour la sortir de la prise.

Réparez ou remplacez immédiatement tout cordon électrique usé ou endommagé. N'utilisez pas un cordon fissuré ou présentant des dommages dus aux frottements soit sur sa longueur ou aux extrémités.

Lorsque vous éloignez votre réfrigérateur du mur, faites attention à ne pas le faire rouler sur le cordon d'alimentation afin de ne pas l'endommager.

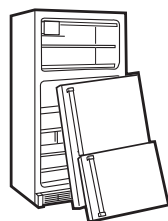
MISE AU REBUT APPROPRIÉE DE VOTRE ANCIEN RÉFRIGÉRATEUR



AVERTISSEMENT **Un enfant risque de suffoquer ou d'y être emprisonné.**

Démontez les portes du compartiment de réfrigération et du compartiment de congélation du réfrigérateur, avant mettre celui-ci au rebut. Le non-respect de cette recommandation peut entraîner l'enfermement d'un enfant qui peut entraîner la mort ou des lésions cérébrales.

IMPORTANT:



Les enfants pris au piège ou morts d'asphyxie sont toujours d'actualité. Les réfrigérateurs jetés ou abandonnés restent dangereux même si vous ne les laissez au rebut que pour « quelques jours ». Si vous voulez jeter votre ancien réfrigérateur, suivez les instructions suivantes pour empêcher les accidents.

Avant de jeter votre ancien réfrigérateur ou congélateur:

- Démontez les portes du compartiment de réfrigération et du compartiment de congélation.
- Laissez les clayettes en place, pour éviter que des enfants puissent facilement grimper dans votre réfrigérateur.

Fluides frigorigènes

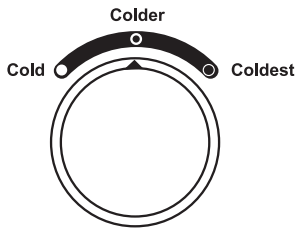
Les appareils réfrigérants contiennent des fluides frigorigènes qui conformément à la législation fédérale doivent être retirés avant la mise au rebut de l'appareil. Si vous mettez au rebut un ancien réfrigérateur contenant des fluides frigorigènes, vérifiez la procédure à suivre auprès de la compagnie responsable de l'élimination.



**LISEZ ET SUIVEZ SOIGNEUSEMENT CES MESURES DE SÉCURITÉ.
CONSERVEZ CES INSTRUCTIONS**

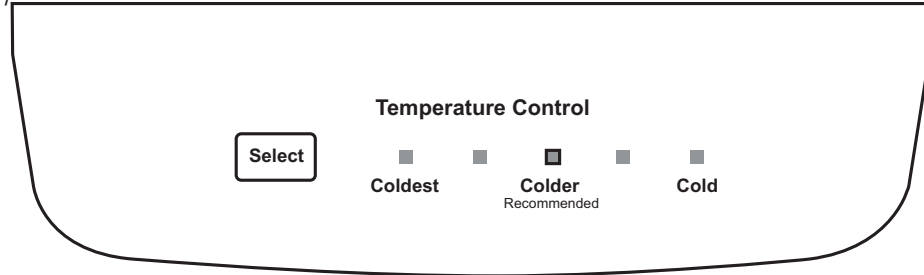
À propos de la commande du réfrigérateur.

Temperature Control



Commande de température du congélateur

Une commande de température se trouve dans les compartiments réfrigérateur et congélateur. Au début, réglez les commandes aux valeurs normales recommandées pour les compartiments réfrigérateur et congélateur. Allouez 24 heures pour la stabilisation de la température.



Commande de température du réfrigérateur

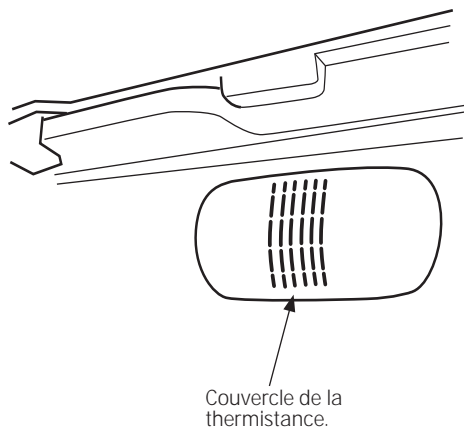
Réglage des commandes

Les commandes des compartiments réfrigérateur et congélateur doivent être réglées d'une valeur à la fois. Allouez 12 heures après chaque réglage pour que le compartiment atteigne la valeur choisie.

Après chaque réglage, vérifiez les deux compartiments, réfrigérateur et congélateur. Une modification de la commande réfrigérateur peut avoir effet sur la température du compartiment congélateur. L'inverse est aussi vrai, une modification de la commande congélateur peut avoir un effet sur la température du compartiment réfrigérateur.

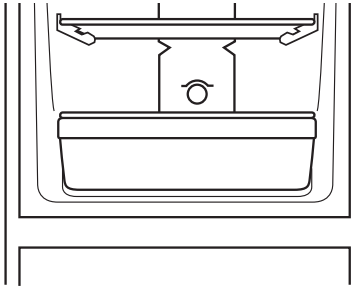
Les réglages vont varier en fonction de vos préférences et des conditions d'utilisation, et ils peuvent nécessiter plus d'un ajustement. Parmi les facteurs qui influencent la température, mentionnons la quantité de nourriture dans les compartiments réfrigérateur et congélateur, la fréquence d'ouverture des portes et la température de l'aliment lorsqu'il est placé dans un des compartiments.

Thermistance



La thermistance située sur la paroi droite du compartiment réfrigérateur est l'un des éléments importants du contrôle de température. Éloignez tous les articles du couvercle de la thermistance pour éviter de nuire à la sensibilité de la thermistance et causer des problèmes de température. Les aliments peuvent geler ou devenir trop chauds selon le cycle du compresseur lorsque la circulation d'air est bloquée.

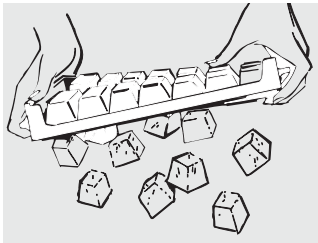
Bacs à légumes et à fruits



Ces bacs de rangement procurent de l'espace pour les fruits, les légumes et la viande.

Pour enlever et replacer les bacs et le couvercle au-dessus d'eux, la porte doit être entièrement ouverte. Dans certaines installations, il peut s'avérer nécessaire d'éloigner le réfrigérateur du mur pour obtenir une ouverture totale de la porte.

À propos de la production de glace.



Moules à glaçons

Pour produire de la glace, remplissez le moule à glaçons avec de l'eau et placez-le sur une surface de niveau dans le compartiment congélateur. Les cubes de glace se formeront en quelques heures.

Pour libérer les cubes, tournez le moule à l'envers en le maintenant au-dessus d'un récipient et tordez les deux extrémités.

Pour obtenir un ou deux cubes seulement, tenez le moule à l'endroit, tordez légèrement les deux extrémités puis retirez le nombre de cubes désiré.

Lavez les moules à glaçons avec de l'eau tiède seulement. Ne les placez pas dans un lave-vaisselle automatique.

Soins et nettoyage de votre réfrigérateur.

Nettoyage de l'extérieur

Conservez l'extérieur propre. Essuyez avec un linge propre légèrement humecté de de détersif liquide à vaisselle doux. Séchez et polissez avec un linge doux, propre.

N'essuyez pas la porte en acier inoxydable avec un linge à vaisselle souillé ou une serviette mouillée. Ils peuvent laisser un résidu susceptible d'éroder le fini. N'utilisez pas de tampons à récurer, de nettoyeurs en poudre, de javellisants ni de nettoyeurs qui contiennent du javellissant puisque ces produits peuvent rayer et détériorer le fini. Utilisez uniquement un nettoyeur liquide exempt d'abrasif et frottez dans la direction des lignes de brosse.

Vous pouvez nettoyer les portes et les poignées de porte en acier inoxydable (sur certains modèles) avec un nettoyeur d'acier inoxydable vendu sur le marché. Les nettoyeurs qui contiennent de l'acide oxalique, tels que Bar Keepers Friend Soft Cleanser™, éliminent la rouille de surface, le ternissement et les petites taches. Utilisez uniquement un nettoyeur liquide exempt d'abrasif et frottez dans la direction des lignes de brosse à l'aide d'une éponge souple imbibée. N'utilisez pas de cire pour appareils ménagers sur l'acier inoxydable.

Protection de la peinture de finition.

L'extérieur du réfrigérateur est revêtu d'une peinture de haute qualité cuite au four. Avec un entretien approprié, il gardera son aspect neuf exempt de rouille pendant de nombreuses années. Appliquez une couche de cire pour cuisine/électroménagers à la réception du réfrigérateur, puis au moins deux fois l'an par la suite.

Nettoyage de l'intérieur

Pour aider à empêcher les odeurs, laissez une boîte ouverte de bicarbonate de soude dans les compartiments réfrigération et congélation.

Débranchez votre réfrigérateur avant de le nettoyer.

Si ce n'est pas pratique, enlevez toute humidité au moyen d'une éponge ou d'un chiffon pour nettoyer autour des commutateurs, des lumières ou des réglages.

Utilisez une solution d'eau chaude et de bicarbonate de soude 15 ml (soit une cuillère à soupe environ) de bicarbonate de soude dans 1 litre (soit une pinte) d'eau). Cette solution nettoie tout en neutralisant les odeurs. Rincez et séchez en essuyant.

Les autres pièces du réfrigérateur — incluant les joints de porte, les bacs à fruits et légumes et toutes les pièces en plastique — peuvent être nettoyées de la même manière.

Après avoir nettoyé les joints de porte, appliquez une mince couche de vaseline sur les joints du côté charnières afin de les empêcher de coller et de se déformer. N'utilisez pas de nettoyeurs en poudre ni d'autres nettoyeurs abrasifs.

ATTENTION

Ne nettoyez pas les tablettes ou couvercles en verre avec de l'eau chaude lorsqu'ils sont froids. Les tablettes et couvercles en verre peuvent se briser s'ils sont exposés à une variation de température soudaine, ou soumis à un impact s'ils sont heurtés ou échappés. S'il se brise, le verre trempé est conçu pour se fracturer en un grand nombre de petits éclats. Ne lavez aucune pièce en plastique du réfrigérateur au lave-vaisselle.

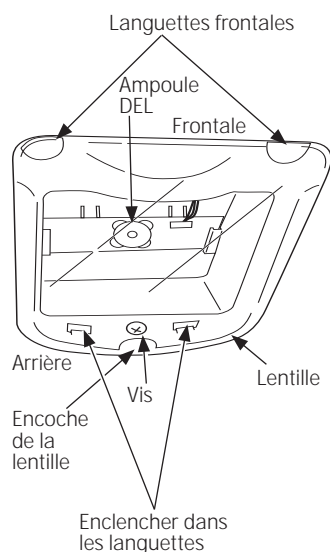
Pour remplacer l'ampoule DEL

L'ampoule DEL est sous la lentille située au plafond du compartiment réfrigérateur.

Pour remplacer l'ampoule DEL :

- 1 Enlever la tablette supérieure (s'il y a lieu).
- 2 Retirer la vis à tête cruciforme située derrière la lentille. Insérer les doigts dans l'encoche située derrière la lentille puis tirer la lentille vers l'avant (vers la porte du réfrigérateur) et vers le bas afin de dégager les languettes situées derrière la lentille en l'éloignant du devant du réfrigérateur afin de dégager les languettes situées devant la lentille.
- 3 Glisser l'ampoule DEL hors des fentes de montage.

- 4 Tirer doucement pour sortir les fils puis les débrancher de l'appareil.
- 5 Remplacer l'ampoule DEL et réinsérer l'ampoule dans les fentes de montage.
- 6 Réinstaller la lentille en glissant les languettes frontales de la lentille dans les fentes et pousser la lentille vers le haut jusqu'à ce que les languettes arrière s'enclenchent. Visser fermement la vis à tête cruciforme.
- 7 Pour commander une ampoule DEL, veuillez appeler les Électroménagers GE au 1 800 GE-CARES (800 492-2717) pendant les heures normales d'ouverture



Préparation de départ en vacances

Pour de longues vacances ou absences, enlevez tous vos aliments et débranchez votre réfrigérateur. Nettoyez l'intérieur avec une solution de bicarbonate de soude, de 15 ml (une cuillère à soupe) de bicarbonate de soude pour 1 litre (une pinte) d'eau. Laissez les portes ouvertes.

Préparation de déménagement

Enlevez tous vos aliments et débranchez votre réfrigérateur. Attachez tous les articles mobiles tels que les tablettes et les bacs en les enrubannant en place afin de prévenir les dommages.

Assurez-vous que votre réfrigérateur soit en position droite pendant le déménagement.

Instructions d'installation

Réfrigérateur

Modèle GBE10ES

Si vous avez des questions, appelez le 1.800.561.3344 ou visitez notre site Web à l'adresse:
www.electromenagersge.ca

AVANT DE COMMENCER

Veuillez lire toutes les directives attentivement.

- **IMPORTANT** – Conservez ces instructions pour l'inspecteur local.
- **IMPORTANT** – Respectez toutes les ordonnances et les codes locaux.
- **Note à l'installateur** – Assurez-vous de laisser ces instructions au consommateur.
- **Note au consommateur** – Conservez ces instructions pour référence future.
- **Niveau de compétence** – L'installation de cet appareil nécessite des compétences mécaniques de base.
- **Temps d'installation** – Installation du réfrigérateur:
15 minutes
Inversion du sens d'ouverture des portes : 1 heure
- L'installateur est responsable de bien installer ce réfrigérateur.
- Toute panne du produit due à une mauvaise installation n'est pas couverte par la garantie.

SPÉCIFICATIONS D'EMPLACEMENT

- N'installez pas le réfrigérateur dans une pièce où les températures descendent en-dessous de 60°F (16°C) parce qu'il serait difficile d'y maintenir une température correcte.
- N'installez pas le réfrigérateur dans un endroit où la température ambiante sera supérieure à 37°C, il ne fonctionnera pas correctement.
- N'installez pas le réfrigérateur dans un endroit exposé à l'eau (pluie, etc.) ou directement aux rayons solaires.
- Installez le réfrigérateur sur un plancher suffisamment solide pour le supporter à pleine charge.

DÉGAGEMENTS

- Installation amovible seulement.
- Si le réfrigérateur est installé à proximité d'un mur, laissez suffisamment d'espace du côté charnière pour permettre une ouverture de porte qui permettra l'accès aux bacs du compartiment réfrigérateur.
- Ne pas installer à moins de 5 po (13 cm) de la cuisinière.
- Dégagements minimaux : Arrière – 3 po (7,6 cm) du mur

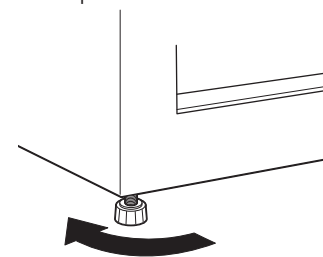
DÉBALLEMENT DU RÉFRIGÉRATEUR

- Retirez le ruban adhésif et toute étiquette (sauf l'étiquette des spécifications) du réfrigérateur. Les résidus de ruban ou de colle peuvent se dégager en frottant une petite quantité de savon à vaisselle liquide sur l'adhésif avec les doigts. Essuyez avec un chiffon imbibé d'eau chaude puis asséchez.
- N'utilisez pas d'instruments coupants, d'alcool à friction, de liquides inflammables ni de nettoyants abrasifs pour enlever le ruban ou la colle. Ces produits peuvent endommager la surface de votre réfrigérateur.
- Lors de son déplacement, ne penchez pas le réfrigérateur de plus de 45° par rapport à sa position droite.

PIEDS DE NIVELLEMENT

Les **pieds ajustables** dans les coins avant du réfrigérateur doivent être ajustés de façon que le réfrigérateur repose solidement contre le plancher; il faut aussi que l'avant soit légèrement plus haut afin que les portes se ferment aisément lorsqu'elles sont ouvertes à mi-course.

Pour ajuster les **pieds**, tournez-les dans le sens des aiguilles d'une montre pour abaisser le réfrigérateur, et dans le sens inverse pour le soulever..



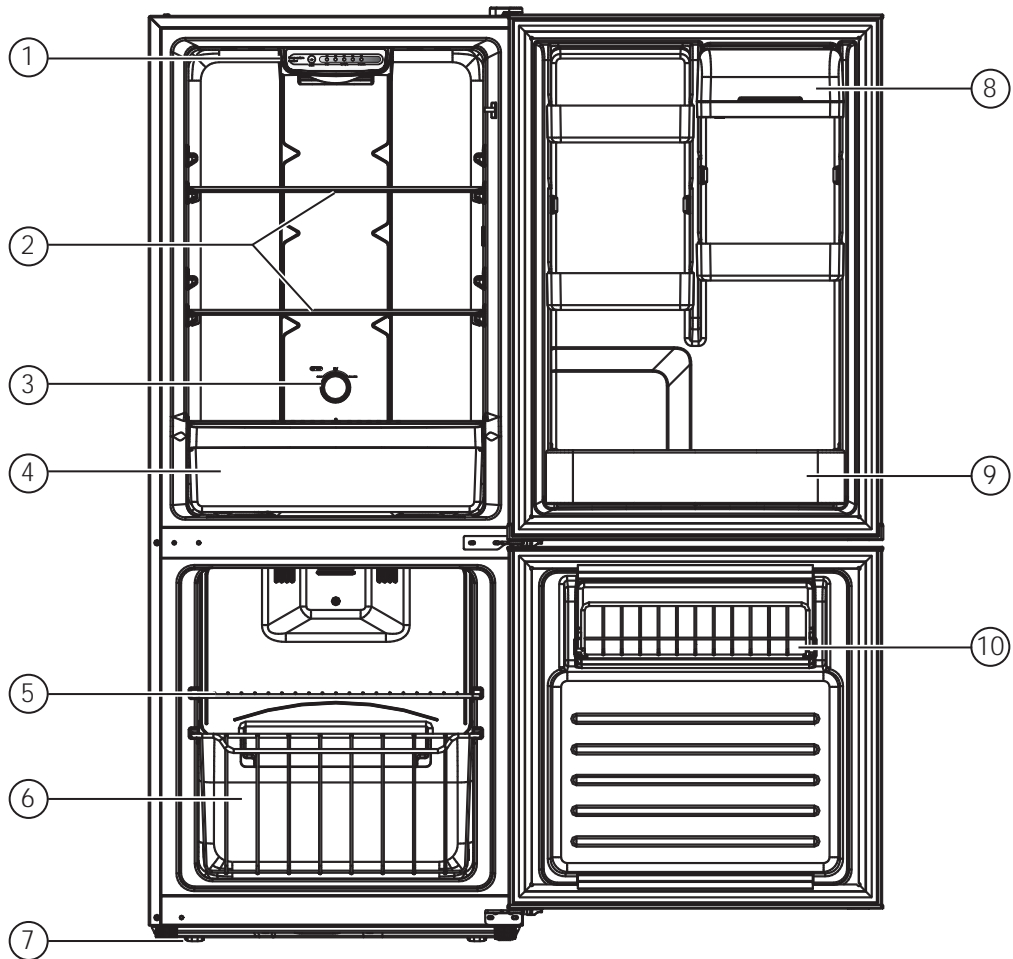
Pour soulever le réfrigérateur

CORDON D'ALIMENTATION

- Branchez le cordon d'alimentation du réfrigérateur dans sa propre prise murale correctement mise à la terre; la spécification de tension de la prise doit correspondre à celle figurant sur la fiche signalétique du réfrigérateur.
- N'utilisez pas une rallonge.
- Lisez les consignes de sécurité des pages 18 et 19.

Instructions d'installation

COMPOSANTS DU RÉFRIGÉRATEUR



1	Commande de température du réfrigérateur	6	Congélateur – Panier de rangement
2	Tablettes du réfrigérateur	7	Pied ajustable
3	Commande de température du congélateur	8	Compartiments de porte
4	Compartiment de légumes avec couvercle en verre et contrôle de l'humidité	9	Compartiment de porte pour ranger une bouteille de 2 litres
5	Tablette du congélateur	10	Porte du congélateur avec espace de rangement

Instructions d'installation

INVERSION DE L'OUVERTURE DES PORTES

NOTES IMPORTANTES

Pour inverser le sens d'ouverture des portes :

- Lisez toutes les directives avant de commencer.
- Manipulez les pièces avec précaution pour éviter de rayer la peinture.
- Posez les vis à côté des pièces correspondantes pour ne pas les utiliser aux mauvais endroits.
- Posez les portes sur un plan de travail qui ne risque pas de rayer la peinture.
- Nous recommandons que deux personnes participent à cette tâche.

IMPORTANT : Une fois commencée votre inversion du sens d'ouverture des portes, ne déplacez jamais votre réfrigérateur avant d'avoir terminé.

Ces directives s'appliquent à l'inversion des charnières du côté droit au côté gauche. Si vous voulez remettre les charnières à droite, suivez les mêmes directives en inversant toutes les références aux côtés gauche et droit.

Débranchez le réfrigérateur de sa prise électrique.

Videz tous les balconnets des portes.

OUTILS REQUIS



Tourne-écrou à douille de 8mm



Couteau à mastiquer ou tournevis à lame mince



Ruban-cache



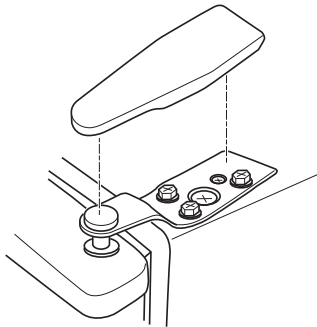
Tournevis Phillips

1 ENLÈVEMENT DE LA PORTE DU RÉFRIGÉRATEUR

Retirez le couvercle de charnière. Dévissez et enlevez la charnière supérieure.

Soulevez la porte du réfrigérateur puis tirez-la vers vous pour la dégager.

Placez la porte sur une surface antiégratignure avec la surface extérieure vers le haut.



NOTICE: Ne laissez pas la porte tomber sur le plancher. Cela pourrait endommager la butée de porte.

2 NLÈVEMENT DE LA PORTE DU CONGÉLATEUR

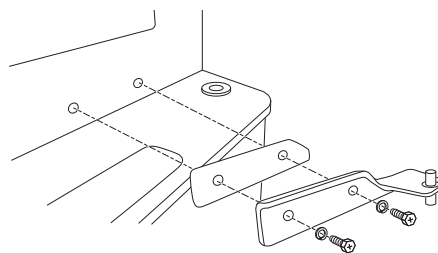
Maintenez la porte fermée avec du ruban à masquer.

Enlevez la charnière centrale en retirant les vis.

Soulevez la charnière pour la dégager.

NOTE : Certains modèles comportent une rondelle entre la charnière centrale et le dessus de la porte du compartiment réfrigérateur. Veillez à ne pas la perdre.

Retirez le ruban qui maintient la porte fermée.



Soulevez la porte du congélateur puis dégagez-la de la charnière inférieure.

Placez la porte avec l'extérieur vers le haut sur une surface antiégratignure.

NOTE : En enlevant la porte, il se peut que la ou les rondelles entre la charnière inférieure et le bas de la porte du congélateur collent sur la porte. Veillez à ne pas les perdre.

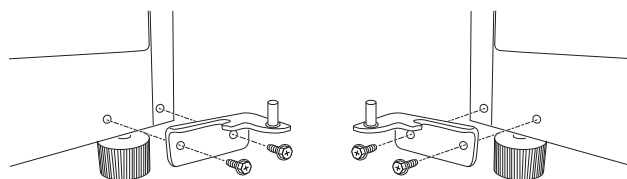
NOTICE: Ne laissez pas la porte tomber sur le plancher. Cela pourrait endommager la butée de porte.

3 CHARNIÈRE INFÉRIEURE

Retirez les vis et la charnière inférieure du côté droit. Enlevez les capuchons de vis du coin gauche.

À l'aide de la charnière gauche (incluse avec les pièces fournies avec le réfrigérateur) et des vis (et des rondelles s'il y a lieu) enlevées précédemment, posez la charnière gauche sur la partie inférieure gauche de votre réfrigérateur.

Placez les capuchons de vis dans les trous maintenant libres sur la droite.



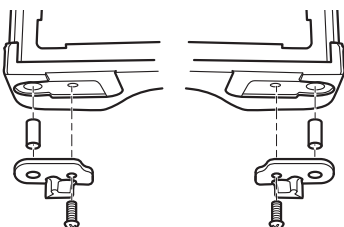
Instructions d'installation

INVERSION DE L'OUVERTURE DES PORTES (SUITE)

4 TRANSFERT DE LA BUTÉE DE PORTE DU CONGÉLATEUR SUR LA GAUCHE

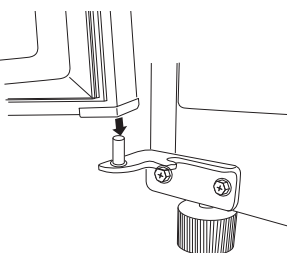
Enlevez la butée de porte du bas de la porte côté droit. Transférez les capuchons de vis du côté inférieur gauche vers le côté droit.

Posez la butée de porte gauche incluse dans les pièces fournies avec le réfrigérateur.



5 RACCROCHAGE DE LA PORTE DU CONGÉLATEUR

Assurez-vous que la ou les rondelles sont en place sur l'axe de charnière inférieure. Assurez-vous que la porte est alignée à l'horizontale et la verticale. Placez la porte du congélateur sur la charnière inférieure, fermez la porte puis enrubannez-la en place avec du ruban cache.



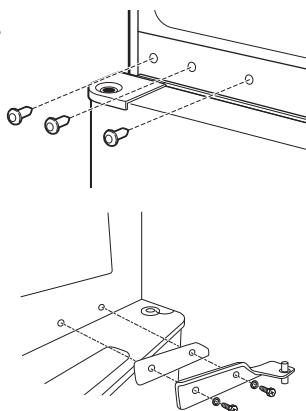
Enlevez les capuchons de vis du bord gauche de la porte et insérez-les dans les trous du côté opposé.



6 POSE DE LA CHARNIÈRE CENTRALE SUR LA GAUCHE

Enlevez les trois capuchons de vis sur le côté gauche et posez deux d'entre eux sur la droite.

À l'aide de la charnière centrale et des vis (et de rondelles s'il y a lieu) enlevées précédemment, posez la charnière centrale gauche sur le côté gauche. Retirez le ruban qui maintient la porte fermée.



NOTICE: Posée correctement, la charnière repose fermement contre la carrosserie.

6 POSE DE LA CHARNIÈRE CENTRALE SUR LA GAUCHE (SUITE)

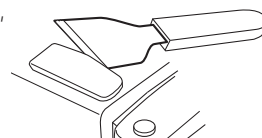
ATTENTION: Les vis doivent être serrées correctement. Vissez les vis jusqu'au bout. Puis serrez au minimum d'un autre 1/2 tour avec les deux mains.

7 TRANSFERT DE LA CHARNIÈRE SUPÉRIEURE SUR LA GAUCHE

À l'aide d'un couteau à mastic, son bord recouvert de ruban cache, retirez le capuchon de vis sur la gauche.

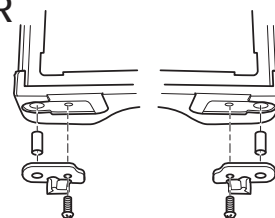
Veillez à ne pas endommager la peinture de finition.

Remplacez le capuchon de vis sur le côté droit.



8 TRANSFERT DE BUTÉE DE PORTE DU RÉFRIGÉRATEUR SUR LA GAUCHE

Enlevez la butée de porte dans le bas du côté droit de la porte. Transférez les capuchons de vis du côté inférieur gauche vers le côté droit.



Posez la butée de porte gauche incluse dans les pièces fournies avec le réfrigérateur.

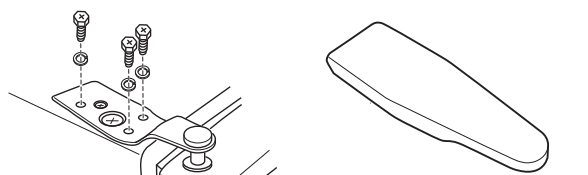
9 RACCROCHAGE DE LA PORTE DU RÉFRIGÉRATEUR

Transférez le capuchon sur le dessus de la porte du côté opposé.

Placez la porte du réfrigérateur sur la charnière centrale sur l'axe.

Assurez-vous que la porte est alignée à l'horizontale et la verticale, et que les joints d'étanchéité sont étanches sur tous les côtés.

Fixez la charnière supérieure enlevée précédemment du côté gauche du réfrigérateur et remplacez le couvercle de charnière.



Bruits normaux de fonctionnement



Les réfrigérateurs plus récents font des bruits différents de ceux des anciens. Les réfrigérateurs modernes présentent plus de fonctions et sont plus avancés sur le plan technologique.

Entendez-vous ce que j'entends? Ces bruits sont normaux.

HUMMM... WOUUCH....

- Le nouveau compresseur à rendement élevé peut fonctionner plus longtemps et plus vite que votre ancien réfrigérateur et vous pouvez entendre un son modulé ou un ronflement aigu pendant son fonctionnement.
- Vous pouvez entendre un sifflement lorsque les portes se ferment. Cela vient de l'équilibrage de pression dans le réfrigérateur.

CLICS, CLAQUEMENTS, CRAQUEMENTS et GRÉSILLEMENTS

- Vous pouvez entendre des craquements ou des claquements lorsque le réfrigérateur est branché pour la première fois. Cela se produit lorsque le réfrigérateur se refroidit à la bonne température.
- Le compresseur peut causer un clic ou un grésillement lors de la tentative de redémarrage (cela peut prendre 5 minutes).
- L'expansion et la contraction des serpentins de refroidissement pendant et après le dégivrage peuvent causer un craquement ou un claquement.
- Sur les modèles équipés d'une machine à glaçons, après un cycle de fabrication de glaçons, vous pouvez entendre les glaçons tomber dans le bac.

OUIR !



- Vous pouvez entendre les ventilateurs tourner à hautes vitesses. Cela se produit lorsque le réfrigérateur vient d'être branché, lorsque les portes sont ouvertes fréquemment ou lors de l'ajout d'une grande quantité d'aliments dans les compartiments congélateur ou réfrigérateur. Les ventilateurs permettent de maintenir les bonnes températures.

BRUITS D'EAU



- Le passage de l'agent frigorigère dans les serpentins de refroidissement du congélateur peut être accompagné d'un gargouillement semblable à celui de l'eau en ébullition.
- L'eau tombant sur l'élément chauffant de dégivrage peut faire un bruit de grésillement, de claquement ou de bourdonnement pendant le cycle de dégivrage.
- Un bruit de suintement d'eau peut être entendu pendant le cycle de dégivrage lorsque la glace de l'évaporateur fond et tombe dans le bac de récupération.
- Fermer la porte peut causer un gargouillement en raison de l'équilibrage de pression.



En cas de panne
Économisez votre temps et votre argent! Consultez les tableaux des pages suivantes, vous éviterez peut-être d'appeler un réparateur.

<i>Problème</i>	<i>Causes possibles</i>	<i>Solutions</i>
<i>Le réfrigérateur ne fonctionne pas</i>	Le réfrigérateur est au cycle dégivrage.	Attendez environ 30 minutes pour la fin du cycle dégivrage.
	Le réfrigérateur est débranché.	Poussez la fiche à fond dans la prise murale.
	Le fusible est grillé/le disjoncteur est déclenché.	Remplacez le fusible ou réarmez le disjoncteur.
<i>Vibration ou cliquetis (une légère vibration est normale)</i>	Les pieds de nivellement avant doivent être ajustés.	Voir la section Pieds de nivellement.
<i>Le moteur fonctionne pendant de longues périodes ou se met en marche et s'arrête fréquemment (Les réfrigérateurs modernes, qui ont davantage d'espace de rangement et un compartiment congélation plus grand, nécessitent plus de temps de fonctionnement. Ils se mettent en marche et s'arrêtent souvent pour maintenir des températures constantes.)</i>	C'est normal quand on met en marche le réfrigérateur pour la première fois.	Attendez 24 heures que le réfrigérateur se refroidisse complètement.
	Cela arrive souvent quand on met beaucoup d'aliments dans le réfrigérateur.	C'est normal.
	La porte est restée ouverte.	Vérifiez qu'un paquet d'aliments n'empêche pas la porte de bien se fermer.
	Il fait chaud ou vous ouvrez souvent la porte.	C'est normal.
	La commande de température est réglée à la valeur la plus froide.	Voir la section <i>À propos de la commande.</i>
<i>Le compartiment réfrigérateur ou congélateur est trop chaud</i>	Le réglage de la commande de température n'est pas suffisamment froid.	Voir la section <i>À propos de la commande.</i>
	Météo chaude ou ouvertures de porte fréquentes.	Réglez la commande de température d'une unité plus froid. Voir la section <i>À propos de la commande.</i>
	La porte est restée ouverte.	Vérifiez qu'un paquet d'aliments n'empêche pas la porte de bien se fermer.
<i>Du givre ou des cristaux de glace se forment sur les aliments congelés (du givre à l'intérieur paquets d'aliments est normal)</i>	La porte est restée ouverte.	Vérifiez qu'un paquet d'aliments n'empêche pas la porte de bien se fermer.
	Vous ouvrez la porte trop souvent ou trop longtemps.	
<i>Les glaçons ont une odeur ou un goût</i>	Les aliments donnent de l'odeur ou du goût aux glaçons.	Emballez bien les aliments.
	L'intérieur du réfrigérateur a besoin d'être nettoyé.	Consultez <i>Soins et nettoyage</i>
<i>La formation des glaçons est lente</i>	La porte est restée ouverte.	Vérifiez qu'un paquet d'aliments n'empêche pas la porte de bien se fermer.
	Le réglage de la commande de température n'est pas suffisamment froid.	Voir la section <i>À propos de la commande.</i>
<i>Le réfrigérateur sent</i>	Les aliments donnent une odeur au réfrigérateur.	Vous devez bien emballer les aliments qui sentent fort. Conservez une boîte ouverte de bicarbonate de soude dans votre réfrigérateur; remplacez-la tous les trois mois.
	L'intérieur a besoin d'un nettoyage.	Consultez <i>Soins et nettoyage</i>
<i>De l'humidité se forme sur l'extérieur du réfrigérateur</i>	C'est normal pendant les périodes de grande humidité.	Essuyez complètement la surface.

Avant d'appeler un réparateur...



En cas de panne
Économisez votre temps et votre argent! Consultez les tableaux des pages suivantes, vous éviterez peut-être d'appeler un réparateur.

<i>Problème</i>	<i>Causes possibles</i>	<i>Solutions</i>
De l'humidité se forme à l'intérieur (quand il fait humide, l'air transporte de l'humidité à l'intérieur du réfrigérateur quand vous ouvrez les portes)	Vous ouvrez les portes trop souvent ou trop longtemps.	
<i>La lampe intérieure ne fonctionne pas</i>	Pas de courant à la prise électrique.	Remplacez le fusible ou réarmez le disjoncteur.
	L'ampoule est grillée.	Voir la section <i>Remplacement de l'ampoule</i> .
<i>Les aliments gèlent dans le réfrigérateur</i>	Les aliments sont trop proches de l'évent à l'arrière du réfrigérateur.	Éloignez les aliments de l'évent.
	Le réglage de la commande du réfrigérateur est trop froid.	Réglez la commande à une température plus chaude, d'une unité à la fois. Voir la section À propos des commandes.
De la rouille, du ternissement ou de la saleté est visible sur les portes en acier inoxydable	Environnement humide ou air salé.	Nettoyez l'acier inoxydable à l'aide de nettoyeurs qui contiennent de l'acide oxalique (p.ex. la marque Bar Keepers Friend Soft Cleanser) pour enlever la rouille, le calcaire et les autres ternissements. N'essuyez pas le réfrigérateur avec un linge à vaisselle souillé ou une serviette mouillée. . N'utilisez pas de tampons à récurer, de nettoyeurs en poudre, de javellisants ni de nettoyeurs qui contiennent du javellisant puisque ces produits peuvent rayer et détériorer le fini.

Garantie du réfrigérateur.



Pour les clients des États-Unis, toutes les réparations en vertu de la garantie sont fournies par nos Centre de Service d'Usine ou par un technicien autorisé Customer Care®. Pour prévoir une réparation, consultez notre site GEAppliances.com ou appelez le 800.GE.CARE5 (800.432.2737). Veuillez avoir votre numéro de série et votre numéro de modèle à portée de main lorsque vous appelez pour obtenir un service.

Agrafez votre facture ici.
Pour bénéficier du service de réparation sous garantie, une preuve de la date d'achat initial est nécessaire.

Au Canada, appelez le 800.561.3344.

Pour le diagnostic, la réparation de votre réfrigérateur peut nécessiter l'utilisation du port de données embarqué. Celui-ci permet au technicien de réparation GE de diagnostiquer rapidement des problèmes avec votre appareil. Il permet également à GE d'améliorer ses produits en fournissant à ces derniers des informations sur votre appareil. Si vous ne voulez pas que les données de votre appareil soient envoyées à GE, veuillez demander à votre technicien de NE PAS soumettre les données à GE pendant la réparation.

Pendant la période de garantie de :	GE remplacera :
Un An A compter de la date d'achat initial	Toute pièce du réfrigérateur qui s'avère défectueuse en raison d'un défaut de matériau ou de fabrication. Pendant la validité de la présente garantie limitée d'un an, GE fournira également gratuitement la main d'œuvre et le service pour réparer la pièce défectueuse.

Ce qui n'est pas couvert par GE :

- Les déplacements à votre domicile pour vous expliquer l'utilisation de ce produit
- Une installation, livraison ou maintenance défectueuse.
- Une panne du produit par abus d'utilisation, par mauvaise utilisation, par modification ou s'il a été utilisé dans un but autre que celui pour lequel il a été fabriqué.
- Détérioration des aliments.
- Le remplacement des fusibles ou le réenclenchement du disjoncteur du domicile.
- Les dommages causés après la livraison.
- Le remplacement de la cartouche filtrante, si incluse, à cause d'une pression d'eau en dehors de la gamme de fonctionnement recommandée ou à cause d'une concentration excessive de sédiments dans l'eau d'alimentation.
- Le remplacement des ampoules, si incluses, ou la cartouche filtrante, si incluse, et dans des conditions autres que celles susmentionnées.
- Tout dommage causé par accident, incendie, inondation ou une catastrophe naturelle.
- Tout dommage fortuit ou indirect causé par des défauts éventuels de cet appareil.
- Le service s'il est impossible d'avoir accès au produit.
- Tout dommage au fini de l'appareil doit être signalé auprès du magasin où a été effectué l'achat dans les 48 heures suivant la livraison de l'appareil.
- Les produits n'étant pas défectueux, brisés ou qui fonctionnent selon la description du manuel du propriétaire.

EXCLUSION DES GARANTIES TACITES - Votre recours exclusif est l'échange du produit suivant les modalités de la Garantie Limitée. Toutes garanties tacites, y compris les garanties de valeurs marchandes ou d'adéquation à des fins particulières, sont limitées à une durée d'un an ou à la durée la plus courte autorisée par la loi.

Pour les clients des États-Unis : Cette garantie est étendue à l'acheteur d'origine et aux propriétaires suivants pour tout produit acheté pour une utilisation domestique aux États-Unis. Si le produit est installé dans une région où ne se trouve aucun réparateur autorisé GE, vous devrez peut-être assumer les frais de transport ou apporter l'appareil à un centre de service autorisé GE. En Alaska, cette garantie exclut le coût d'expédition ou de dépannage à votre domicile.

Certains états n'acceptent pas d'exclusion ou de limites aux dommages indirects consécutifs. Certains droits particuliers vous sont dévolus en vertu de la présente garantie et peuvent s'accompagner d'autres droits qui varient selon votre lieu de résidence. Pour connaître vos droits juridiques, veuillez consulter le bureau local ou le bureau d'état des affaires aux consommateurs ou le Procureur Général de votre état.

Garant : États-Unis : General Electric Company, Louisville, KY 40225

Cette garantie est étendue à l'acheteur d'origine et aux propriétaires suivants pour tout produit acheté aux Canada pour une utilisation domestique aux Canada. Le service à domicile en vertu de la garantie sera fourni dans les régions où il est disponible et où Mabe estime raisonnable de le fournir.

Garant Canada: MC Commercial, Burlington, Ontario, L7R 5B6

Soutien au consommateur.



Site Web appareils électroménagers GE

electromenagersge.ca

Vous avez une question ou vous avez besoin d'aide pour votre appareil électroménager? Contactez-nous par Internet au site electromenagersge.ca 24 heures par jour, tous les jours de l'année.



Service de réparations

1.800.561.3344

Service de réparations GE est tout près de vous.

Pour faire réparer votre électroménager GE, il suffit de nous téléphoner.



Studio de conception réaliste

Sur demande, GE peut fournir une brochure sur l'aménagement d'une cuisine pour les personnes à mobilité réduite.

Écrivez: Directeur, Relations avec les consommateurs, Mabe Canada Inc.
Bureau 310, 1 Factory Lane
Moncton, N.B. E1C 9M3



Prolongation de garantie

Veuillez consulter votre annuaire local pour trouver un fournisseur de garantie prolongée.



Pièces et accessoires

Ceux qui désirent réparer eux-mêmes leurs électroménagers peuvent recevoir pièces et accessoires directement à la maison (cartes VISA, MasterCard et Discover acceptées).

Les directives stipulées dans le présent manuel peuvent être effectuées par n'importe quel utilisateur. Les autres réparations doivent généralement être effectuées par un technicien qualifié. Soyez prudent, car une réparation inadéquate peut affecter le fonctionnement sécuritaire de l'appareil.

Vous trouverez dans les pages jaunes de votre annuaire le numéro du Centre de service Mabe le plus proche. Autrement, appelez-nous au 1.800.661.1616.



Contactez-nous

Si vous n'êtes pas satisfait du service après-vente dont vous avez bénéficié :

Premièrement, communiquez avec les gens qui ont réparé votre appareil.

Ensuite, si vous n'êtes toujours pas satisfait envoyez tous les détails–numéro de téléphone compris–au

Directeur, Relations avec les consommateurs, Mabe Canada Inc.
Bureau 310, 1 Factory Lane
Moncton, N.B. E1C 9M3



Inscrivez votre appareil électroménager

electromenagersge.ca

Inscrivez votre appareil électroménager en direct, aussitôt que possible. Cela améliorera nos communications et notre service après-vente. Vous pouvez également nous envoyer par la poste le formulaire d'inscription joint à votre documentation.

Instrucciones de seguridad . . . 34, 35

Instrucciones de operación

Configuraciones de control36
Termistor36
Cajones de almacenamiento37
Servicio de hielo37
Cuidado y limpieza 38, 39

Instrucciones de instalación

Planificación Avanzada. 40.
Funciones del Refrigerador41
Cómo invertir el vaivén
de la puerta 42, 43.

***Consejos para la identificación
y solución de problemas***

Sonidos normales de la operación . . . 44
Solución de Problemas 45, 46

Apoyo al cliente

Garantía (U.S.) 50
Apoyo al cliente 51

*Escriba los números de modelo y de serie
aquí:*

Modelo # _____

Serie # _____

Usted puede encontrarlos en una etiqueta
dentro del refrigerador.

INFORMACIÓN IMPORTANTE DE SEGURIDAD. LEA TODAS LAS INSTRUCCIONES ANTES DE USAR.



Sitio Web de Electrodomésticos de GE

Para más información sobre el funcionamiento de su refrigerador, visite www.GEAppliances.com o comuníquese al 1-800-GECARES (432-2737).

INFORMACIÓN DE SEGURIDAD DEL REFRIGERADOR

! Este es el símbolo de alerta de seguridad. El mismo alerta sobre potenciales riesgos de muerte o lesiones tanto para usted como para otras personas. Todos los mensajes de seguridad estarán a continuación del símbolo de alerta de seguridad y con la palabra "PELIGRO", "ADVERTENCIA" o "PRECAUCIÓN". Estas palabras se definen como:

! PELIGRO Signale une situation qui présente un danger imminent et qui, si elle n'est pas évitée, entraînera des blessures graves, voire la mort.

! ADVERTENCIA Signale une situation qui présente un danger imminent et qui, si elle n'est pas évitée, peut entraîner des blessures graves, voire la mort. .

! PRECAUCIÓN Signale une situation qui présente un danger imminent et qui, si elle n'est pas évitée, peut entraîner des blessures mineures ou graves.

INSTRUCCIONES IMPORTANTES DE SEGURIDAD

! ADVERTENCIA A fin de reducir el riesgo de incendio, explosión, descargas eléctricas o lesiones al usar su refrigerador, siga estas precauciones básicas de seguridad:


- Este refrigerador se deberá instalar y ubicar adecuadamente de acuerdo con las Instrucciones de Instalación antes de ser usado.
- Desenchufe el refrigerador antes de hacer reparaciones, reemplazar una lámpara de luz o hacer una limpieza.
Nota: La corriente que va al refrigerador no puede ser desconectada por ninguna configuración del panel de control.
Nota: Las reparaciones deberán ser realizadas por un Profesional del Servicio Técnico calificado.
- Reemplace todas las piezas y paneles antes del uso.
- No guarde ni use gasolina u otros vapores inflamables y líquidos cerca de este u otros electrodomésticos.
- Debido a los posibles riesgos sobre la seguridad bajo ciertas condiciones, recomendamos enfáticamente no usar prolongadores. Sin embargo, si se debe usar un prolongador, es absolutamente necesario que sea un prolongador para electrodoméstico de la lista UL (en Estados Unidos) o uno certificado por CSA (en Canadá), de 3 cables con conexión a tierra, que cuente con un enchufe con conexión a tierra y un tomacorriente con una graduación eléctrica del cable de 15 amperes (mínimo) y 120 volts.
- A fin de evitar riesgos de que los niños sufran asfixia o queden atrapados, retire las puertas de comidas frescas y del freezer de cualquier refrigerador antes de deshacerse o dejar de usar el mismo.
- No permita que los niños se trepen, paren o cuelguen de las manijas de la puerta o de los estantes del refrigerador. Podrían sufrir lesiones graves.

! PRECAUCIÓN A fin de reducir el riesgo de lesiones al usar el refrigerador, siga estas precauciones básicas.

- No limpie estantes de vidrio ni tapas con agua caliente cuando estén fríos. Los estantes de vidrio y las tapas se pueden romper si son expuestos a cambios de temperatura repentinos o impactos, tales como sacudones o caídas. El vidrio templado está diseñado para destruirse en pequeñas piezas en caso de rotura.
- Mantenga los dedos fuera de los espacios de "riesgo de lastimaduras"; los despejes entre las puertas y entre las puertas y el gabinete son necesariamente pequeños. Tenga el cuidado de cerrar las puertas cuando los niños se encuentren en el área.
- No vuelva a congelar comidas que hayan estado totalmente congeladas en forma previa.
- En refrigeradores con máquinas de hacer hielo automáticas, evite el contacto con las partes móviles del mecanismo eyector o con el elemento de calefacción que libera los cubos. No coloque los dedos ni las manos en el mecanismo de la máquina de hielo automática mientras el refrigerador esté enchufado.

⚠ ADVERTENCIA  **Riesgo de Explosión.**

Mantenga cualquier material y vapores inflamables, tales como gasolina, alejados del refrigerador. Si no se cumple con esto se podrá producir una explosión, incendio o la muerte.

CONEXIÓN DE LA ELECTRICIDAD**⚠ ADVERTENCIA**  **Riesgo de Descarga Eléctrica.**

Enchufe en un tomacorriente con conexión a tierra de 3 cables.

No elimine el cable de conexión a tierra.

No use un adaptador.

Si no se siguen estas instrucciones se podrá producir a muerte, incendios o descargas eléctricas.



Nunca, bajo ninguna circunstancia, corte o elimine el tercer cable (tierra) del cable de corriente. Para su seguridad personal, este electrodoméstico debe estar adecuadamente conectado a tierra.

El cable de corriente de este electrodoméstico contiene un enchufe de 3 cables (conexión a tierra) que se conecta a un tomacorriente de pared estándar de 3 cables (conexión a tierra) para minimizar la posibilidad de riesgos de descargas eléctricas por parte del mismo.

Contrate a un electricista calificado para que controle el tomacorriente y el circuito eléctrico, a fin de asegurar que el enchufe esté correctamente conectado a tierra.

En caso de contar con un tomacorriente de pared de 2 cables, es su responsabilidad y obligación reemplazarlo por un tomacorriente de pared de 3 cables correctamente conectado a tierra. No use un adaptador.

El refrigerador debería estar siempre conectado a un enchufe específico con un índice de voltaje equivalente al que figura en su etiqueta de características técnicas.

Se requiere un suministro eléctrico con fusible y conexión a tierra de 115 voltios de CA, 60 Hz, 15 o 20 amperes. Esto garantiza el mejor funcionamiento y además previene la sobrecarga de los circuitos del hogar, lo cual podría ocasionar riesgos de incendio debido al recalentamiento de cables.

Nunca desenchufe el refrigerador tirando del cable de corriente. Siempre tome su enchufe firmemente y empuje el mismo hacia afuera para retirarlo.

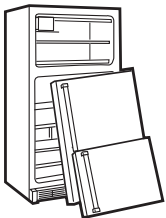
Repáre o reemplace de inmediato todos los cables de corriente pelados o con cualquier tipo de daño. No use un cable con cortaduras o abrasión sobre su extensión o extremos.

Al alejar el refrigerador de la pared, se deberá tener cuidado de que no ruede sobre ni dañe el cable de corriente.

FORMA ADECUADA DE DESCARTAR SU ANTIGUO REFRIGERADOR**⚠ ADVERTENCIA** : **Riesgo de que los niños sufran asfixia o y queden atrapados.**

Retire del refrigerador las puertas de comidas frescas y del freezer, antes de descartar el refrigerador. Si esto no se realiza, los niños podrán quedar atrapados y ocasionar la muerte o daño cerebral.

IMPORTANTE: Que un niño quede atrapado o que sufra una asfixia no son problemas del pasado. Los refrigeradores antiguos o abandonados aún son peligrosos, incluso aunque se conserven por "sólo unos pocos días". Si se deshará de su antiguo refrigerador, siga las siguientes instrucciones a fin de evitar accidentes.

**Antes de Descartar su Antiguo Refrigerador o Freezer:**

- Retire las puertas de comidas frescas y del freezer.

- Deje los estantes en su lugar de modo que los niños no puedan trepar dentro con facilidad.

Refrigerantes

Todos los productos de refrigeración cuentan con refrigerantes, que de acuerdo con la ley federal deberán ser eliminados antes de descartar el producto. Si se deshará de un producto de refrigeración antiguo, consulte a la compañía a cargo sobre cómo deshacerse del mismo.

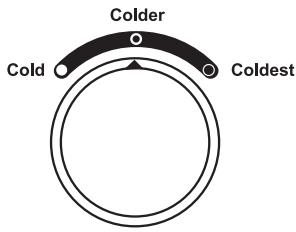


LEA Y SIGA ESTA INFORMACIÓN DE SEGURIDAD CUIDADOSAMENTE.

GUARDE ESTAS INSTRUCCIONES

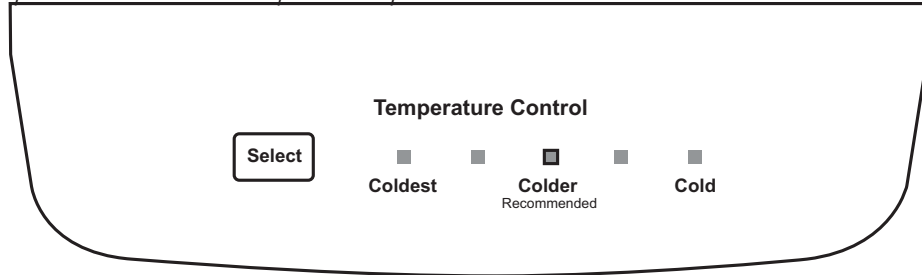
Sobre el control del refrigerador.

Temperature Control



Control de temperatura del freezer

Hay un control de temperatura en el compartimento de alimentos frescos y en el compartimento del congelador. Inicialmente configure el control en **Normal** de los compartimentos de alimentos frescos y del congelador. Deje pasar 24 horas hasta que la temperatura se estabilice.



Control de temperatura de comida fresca

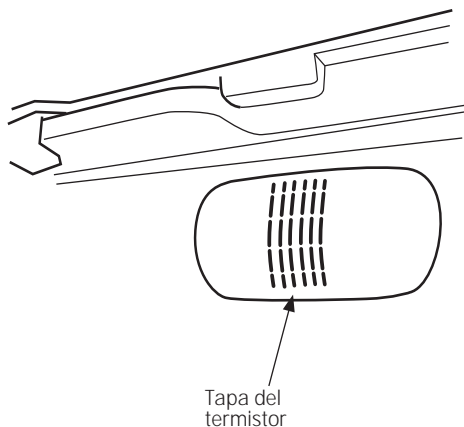
Configuraciones de los Controles

Ajuste el control de alimentos frescos subiendo una unidad por vez. Permita que transcurran 12 horas después de cada ajuste para que el refrigerador alcance la nueva temperatura configurada.

Después de cada ajuste, controle los compartimentos del congelador y de alimentos frescos. Cambiar el control de alimentos frescos puede afectar la temperatura del compartimento del congelador. Del mismo modo, cambiar el control del congelador puede afectar la temperatura del compartimento de alimentos frescos.

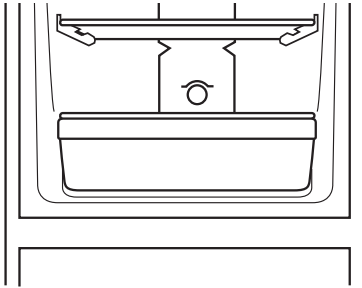
Las configuraciones de control varían en base a las preferencias personales, uso y condiciones de operación y pueden requerir más de un ajuste. Los factores que afectan la temperatura incluyen la cantidad de alimentos en los compartimentos de alimentos frescos y del congelador, la frecuencia de apertura de la puerta y la temperatura de los alimentos cuando se los coloca en cualquiera de los dos compartimentos.

Termistor



El termistor ubicado en la pared lateral derecha del compartimento de comida fresca es uno de los elementos clave para el control de la temperatura. Mantenga cualquier elemento alejado de la tapa del termistor, ya que esto reducirá la sensibilidad del mismo y ocasionará problemas de temperatura. Si el flujo de aire es bloqueado, la comida puede congelarse o calentarse demasiado, dependiendo del ciclo del compresor.

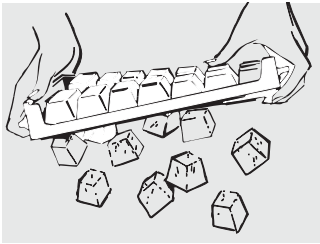
Cajones de frutas y vegetales



Estos cajones de almacenamiento ofrecen espacio para almacenar frutas, vegetales y carnes.

Para retirar y reemplazar los cajones y la tapa sobre estos, la puerta debe estar completamente abierta. En algunas instalaciones, el refrigerador puede tener que alejarse de la pared para que la puerta pueda abrirse por completo.

Sobre el servicio de hielo.



Bandejas para cubitos de hielo

Para hacer hielo, llene la bandeja de hielo con agua y coloque la misma en una superficie nivelada del compartimiento del freezer. Se formarán cubos de hielo en unas pocas horas.

Para sólo uno o dos cubitos de hielo, deje la bandeja hacia arriba, retuerza ambos

extremos ligeramente y quite todos los cubitos que desee.

Lave las bandejas para cubitos de hielo sólo en agua tibia—no las coloque en el lavaplatos.

Cuidado y limpieza del refrigerador.

Limpieza de la parte exterior

Mantenga la parte exterior limpia. Limpiela con un paño ligeramente humedecido con un detergente líquido para platos no agresivo. Seque con un paño suave y limpio.

No limpie el refrigerador con un repasador sucio o con una toalla mojada. Estos pueden dejar un residuo que puede desgastar la pintura. No utilice esponjillas abrasivas, limpiadores en polvo, blanqueadores o limpiadores que contengan blanqueadores porque estos productos pueden rayar y dañar el acabado de la pintura. Use sólo un limpiador líquido libre de material abrasivo y frote en la dirección de las líneas del cepillo.

Los puertos y las manijas de las puertas de acero inoxidable (en algunos modelos) pueden ser limpiados con un limpiador para acero inoxidable para usos comerciales. Los limpiadores con ácido oxálico tales como Bar Keepers Friend Soft Cleanser™ eliminarán el óxido sobre la superficie, deslustres y pequeñas manchas. Use sólo un limpiador líquido libre de material abrasivo y frote en la dirección de las líneas del cepillo con una esponja suave y húmeda. No utilice cera para electrodomésticos sobre el acero inoxidable.

Proteja el acabado de la pintura. El acabado de la parte exterior del refrigerador es de una pintura cocida de alta calidad. Con los cuidados adecuados, permanecerá como nueva y libre de herrumbre durante años. Aplique una mano de cera para cocinas/ aparatos al refrigerador nuevo, y luego por lo menos dos veces por año.

Limpieza de la parte interior

Para ayudar a prevenir olores, deje una caja abierta de bicarbonato de sodio en los compartimentos de alimentos frescos y del congelador.

Desenchufe el refrigerador antes de limpiarlo. Si esto no resulta práctico, seque la humedad excesiva con una esponja o paño cuando limpie alrededor de los interruptores, luces o controles.

Utilice una solución de agua tibia con bicarbonato de sodio—alrededor de una cucharada (15 ml) de bicarbonato de sodio y un cuarto de galón (1 litro) de agua. Esta solución limpia y neutraliza los olores. Enjuague y seque con un paño.

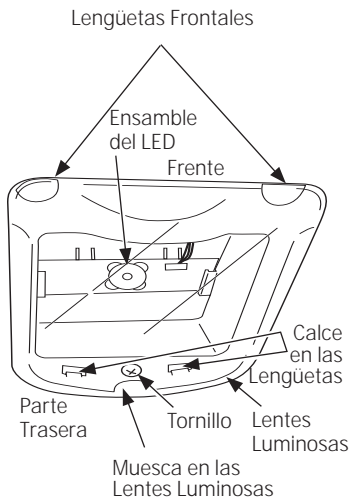
Otras piezas del refrigerador—incluyendo juntas de las puertas, cajones para frutas y vegetales y todas las piezas plásticas—pueden limpiarse de la misma manera.

Después de limpiar las juntas de la puerta, aplique una fina capa de vaselina a las juntas sobre el lado de la bisagra. Esto ayuda a que las juntas no se peguen y que no se deformen. No utilice polvos limpiadores u otros limpiadores abrasivos.

⚠ PRECAUCIÓN

No limpie estantes de vidrio ni tapas con agua caliente cuando estén fríos. Los estantes de vidrio y las tapas se pueden romper si son expuestos a cambios de temperatura repentinos o impactos tales como sacudones o caídas. El vidrio templado está diseñado para destruirse en pequeñas piezas en caso de rotura.

No lave ninguna parte plástica del refrigerador en la lavadora de platos.



Reemplazo de la Luz LED

La luz LED está ubicada detrás de una lente luminosa en el techo de la sección del refrigerador.

Para reemplazar la luz LED:

- 1 Retire la repisa superior (si es necesario).
- 2 Retire el tornillo Phillips ubicado en la parte trasera de las lentes luminosas. Con el dedo en la muesca ubicada en la parte trasera de las lentes, empuje las lentes luminosas hacia delante (hacia la puerta del refrigerador) y hacia abajo para liberar las lengüetas ubicadas en la parte trasera de las lentes, y luego lejos del frente del refrigerador para liberar las lengüetas ubicadas en el frente de las lentes.
- 3 Deslice el ensamblaje de la luz LED de la ranura de montaje.

- 4 De forma suave, retire los cables y desconecte los mismos de la unidad.
- 5 De forma suave, retire los cables y desconecte los mismos de la unidad.
- 6 Reemplace las lentes luminosas deslizando las lengüetas ubicadas en el frente de las lentes dentro de las ranuras, y empuje hacia arriba sobre las lentes hasta que las lengüetas en el reverso de las lentes calcen en su posición. Ajuste con el tornillo Phillips.
- 7 Para ordenar el ensamblaje LED, comuníquese a GE Appliances al 800.GE.CARES (800.492.2737) durante el horario comercial normal.

Preparación para vacaciones

Durante largas vacaciones o ausencias, quite los alimentos y desenchufe el refrigerador. Limpie la parte interior con una solución compuesta por una cucharada bicarbonato de sodio (15 ml) y un cuarto (1 litro) de agua. Deje las puertas abiertas.

Preparación para una mudanza

Quite los alimentos y desenchufe el refrigerador. Fije todos los elementos sueltos como estantes o cajones asegurándolos bien con cinta adhesiva para evitar daños.

Asegúrese de que el refrigerador quede en posición vertical durante la mudanza.

Instrucciones de Instalación

Refrigerador

Modelos GBE10ES

¿Preguntas? Llame al 800.GE.CARES (800.432.2737) o bien Visite nuestra página Web: GEAppliances.com

ANTES DE COMENZAR

Lea estas instrucciones por completo y con detenimiento.

- **IMPORTANTE** – Guarde estas instrucciones para el uso de inspectores locales.
- **IMPORTANTE** – Cumpla con todos los códigos y ordenanzas vigentes.
- **Nota al instalador** – Asegúrese de dejar estas instrucciones con el Consumidor.
- **Nota al consumidor** – Conserve estas instrucciones para referencia futura.
- Nivel de capacidad – La instalación de este aparato requiere capacidades mecánicas básicas.
- Tiempo de finalización – Instalación del refrigerador
15 minutos
Invertir el vaivén de la puerta
1 hora
- El instalador tiene la responsabilidad de efectuar una instalación adecuada.
- La Garantía no cubre las fallas del producto debido a una instalación incorrecta.

UBICACIÓN DEL REFRIGERADOR

- No instale el refrigerador donde las temperaturas sean inferiores a 60°F (16°C), ya que no se mantendrá en funcionamiento el tiempo suficiente para conservar las temperaturas adecuadas.
- No instale el refrigerador donde la temperatura sea superior a los 100°F (37°C), ya que no funcionará de forma correcta.
- No instale el refrigerador en una ubicación expuesta al agua (lluvia, etc.) o en contacto directo con la luz solar.
- Instale el refrigerador en un piso lo suficientemente fuerte como para soportarlo completamente cargado.

ESPACIO NECESARIO

- Instalación con modo de pie únicamente.
- Si el refrigerador está siendo instalado junto a la pared, deje suficiente espacio del lado de la bisagra para permitir que, al abrirse, la puerta gire lo suficiente como para acceder a los cubos vacíos del compartimiento del refrigerador.
- No realice la instalación a menos de 5" (13 cm.) de la cocina.
- Espacios Necesarios Mínimos: Parte Trasera – 3" desde la pared

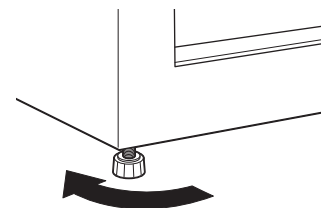
CÓMO DESEMBALAR SU REFRIGERADOR

- Retire la cinta y cualquier etiqueta (excepto la etiqueta de calificación) de su refrigerador. Los residuos de cinta o pegamento se pueden retirar fácilmente frotando con los dedos una cantidad pequeña de jabón líquido para lavar platos sobre el adhesivo. Limpie con agua caliente y seque.
- No use instrumentos puntiagudos, no frote alcohol, no use líquidos inflamables, ni limpiadores abrasivos para retirar cinta o pegamento. Estos productos pueden dañar la superficie del refrigerador.
- Al mover el refrigerador, no lo incline más de 45° desde su posición vertical.

PATAS DE NIVELACIÓN

Deben instalarse **patas ajustables** en las esquinas frontales del refrigerador para que éste se encuentre bien asentado en el piso, y el frente debe estar elevado lo suficiente para que la puerta cierre fácilmente cuando se abre hasta alrededor de la mitad.

Para ajustar las patas de nivelación, gire las patas **patas en sentido de las agujas del reloj para levantar** el refrigerador o **en sentido contrario a las agujas del reloj para bajarlo**.



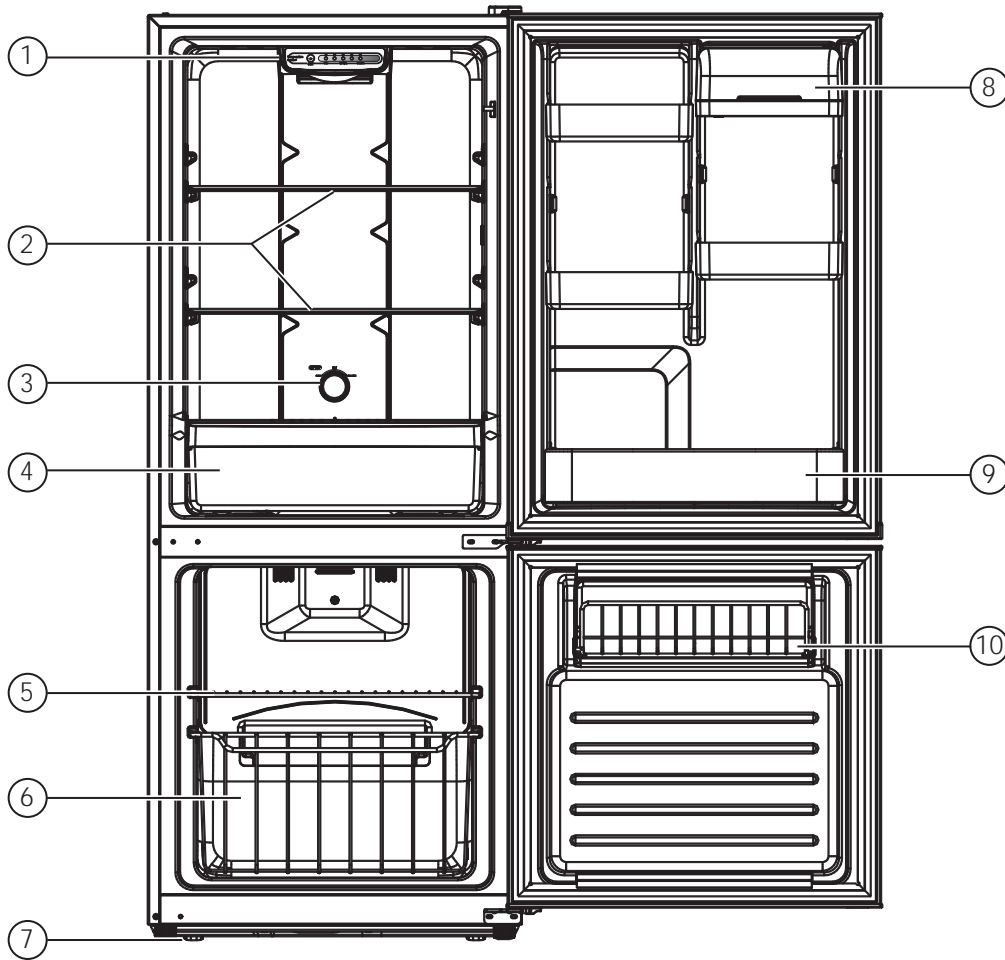
Para elevar el refrigerador

CABLE DE CORRIENTE

- Enchufe el cable de corriente del refrigerador en su propio tomacorriente correctamente conectado a tierra, con un índice de voltaje que coincida con la placa de calificación del refrigerador.
- No use un prolongador.
- Lea todas las precauciones de seguridad en las páginas 2 y 3.

Instrucciones de instalación

FUNCIONES DEL REFRIGERADOR



1	Control de temperatura del refrigerador	6	Freezer – Canasta de Almacenamiento
2	Estantes del refrigerador	7	Pies ajustables
3	Control de temperatura del freezer	8	Cestos de la Puerta
4	Cajón de Verduras con Tapa de Vidrio y Control de la Humedad	9	Cesto de la Puerta para Almacenamiento de Botellas de un Galón/ 2 Litros
5	Estante del Freezer	10	Puerta del Freezer con Espacio de Almacenamiento

Instrucciones de instalación

CÓMO INVERTIR EL VAIVÉN DE LA PUERTA

NOTAS IMPORTANTES

Cuando invierta el vaivén de la puerta:

- Lea por completo todas las instrucciones antes de comenzar.
- Manipule las piezas con cuidado para no rayar la pintura.
- Separe los tornillos por sus piezas relacionadas para evitar usarlos en lugares equivocados.
- Coloque las puertas sobre una superficie de trabajo que no raye.
- Se recomienda que 2 personas realicen esta tarea.

IMPORTANTE: Una vez que haya comenzado, no mueva el gabinete hasta haber finalizado la inversión del vaivén de la puerta.

Estas instrucciones son para cambiar las bisagras del lado derecho al lado izquierdo; si alguna vez desea cambiarlas de nuevo al lado derecho, siga las mismas instrucciones e invierta todas las referencias de la izquierda a la derecha.

Desenchufe el refrigerador del tomacorriente.

Vacíe todos los estantes de la puerta.

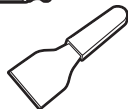
HERRAMIENTAS NECESARIAS



Llave de cubo de 8 mm



Destornillador de estrella



Espátula o destornillador de lados finos



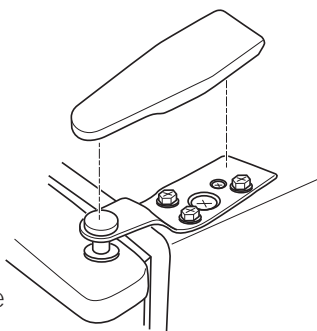
Cinta adhesiva

1 QUITE LA PUERTA DE ALIMENTOS FRESCOS

Retire la tapa de la bisagra. Destornille y retire la bisagra superior.

Levante la puerta de alimentos frescos hacia arriba y afuera del electrodoméstico

Coloque la puerta sobre una superficie que no raye con la parte exterior hacia arriba.



AVISO : No deje caer la puerta al piso. Si esto sucede, puede dañarse la traba de la puerta.

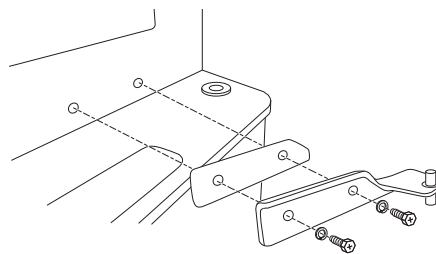
2 QUITE LA PUERTA DEL CONGELADOR

Cierre la puerta con cinta adhesiva.

Retire la bisagra central quitando los 2 tornillos. Levante la bisagra para retirarla.

NOTA: Algunos modelos cuentan con una arandela entre la bisagra central y la parte superior de la puerta de alimentos frescos. Tenga cuidado de no aflojarlos.

Quite la cinta que sostiene la puerta cerrada.



Levante la puerta hacia arriba y afuera de la bisagra inferior.

Coloque la puerta con la parte exterior hacia arriba sobre una superficie que no raye.

NOTA: Cuando quite la puerta, preste atención a las arandelas entre la bisagra central y la parte inferior de la puerta de congelador porque pueden pegarse a la puerta. No las pierda.

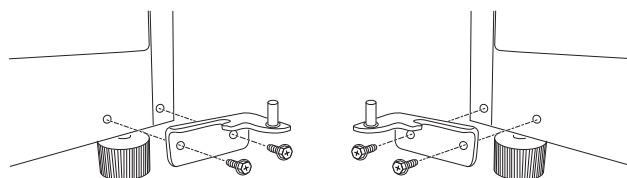
AVISO : No deje caer la puerta al piso. Si esto sucede, puede dañarse la traba de la puerta.

3 BISAGRA INFERIOR

Retire los tornillos y la bisagra inferior del lado derecho. Retire las tapas de los tornillos de la esquina izquierda.

Utilizando la bisagra izquierda incluida con las piezas recibidas con su refrigerador junto con los tornillos (y arandelas, si corresponde) retirados anteriormente, instale la bisagra izquierda en el extremo inferior izquierdo de su refrigerador.

Coloque las tapas de los tornillos en los agujeros ahora vacíos sobre la derecha.



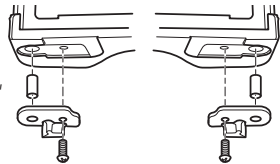
Installation Instructions

CÓMO INVERTIR EL VAIVÉN DE LA PUERTA (CONT.)

4 TRANSFIERA LA TRABA DE LA PUERTA DEL CONGELADOR HACIA LA IZQUIERDA

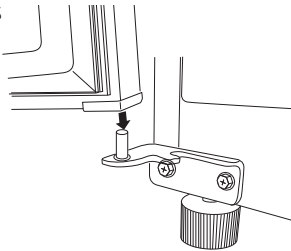
Retire la traba de la puerta desde la parte inferior del lado derecho de la puerta. Transfiera las tapas de los tornillos desde el lado inferior izquierdo hasta el lado derecho.

Using the left door stop included with the parts that came with your refrigerator, install the left door stop.



5 VUELVA A COLGAR LA PUERTA DEL CONGELADOR

Asegúrese que las arandelas estén en su lugar en el perno inferior de la bisagra. Asegúrese de que la puerta esté alineada tanto de forma horizontal como vertical. Coloque la puerta del congelador en la bisagra inferior, cierre la puerta y ciérrela con cinta adhesiva.



Retire las tapas de los tornillos desde el extremo izquierdo de la puerta e inserte las mismas en el agujero del lado opuesto.

Tapas de los tornillos



6 INSTALE LA BISAGRA CENTRAL EN LA IZQUIERDA

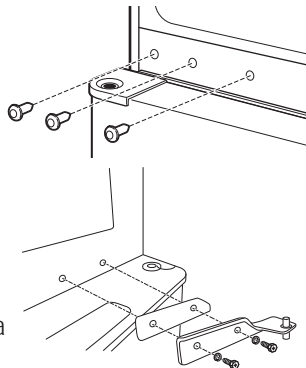
Retire las tres tapas de los tornillos del lado izquierdo e instale dos de las mismas sobre la derecha.

Usando la bisagra intermedia y los tornillos (y arandelas, si corresponde) retirados anteriormente, instale la bisagra intermedia izquierda del lado izquierdo.

Quite la cinta que sostiene la puerta cerrada.

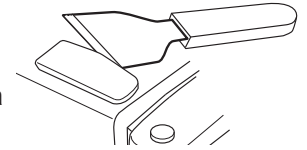
AVISO : Cuando se arma correctamente, la bisagra queda firme contra el gabinete.

ATENCIÓN: Los tornillos deben estar bien ajustados. Gire los tornillos hasta que queden firmes. Luego ajuste los tornillos con 1/2 vuelta como mínimo utilizando ambas manos.



7 TRANSFIERA LA BISAGRA SUPERIOR A LA IZQUIERDA

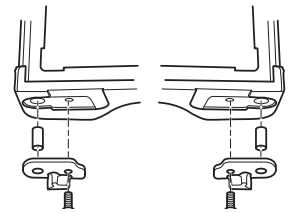
Utilizando una espátula con los bordes recubiertos con cinta adhesiva, quite los las tapas de los tornillos. Tenga cuidado con el acabado de pintura.



Vuelva a instalar la tapa del tornillo del lado derecho.

8 TRANSFIERA LA TRABA DE LA PUERTA DE ALIMENTOS FRESCOS A LA IZQUIERDA

Quite la traba de la puerta de la parte inferior del lado derecho de la puerta. Transfiera los las tapas de los tornillos del lado inferior izquierdo al lado derecho.



Usando la traba izquierda de la puerta incluida con las piezas recibidas con su refrigerador, instale la traba de la puerta izquierda.

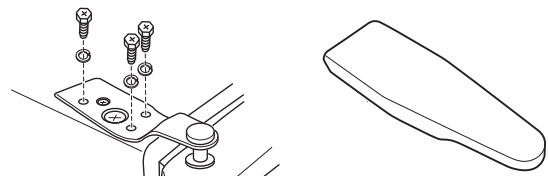
9 VUELVA A COLGAR LA PUERTA DE ALIMENTOS FRESCOS

Transfiera el las tapas de los tornillos de la parte superior de la puerta al lado opuesto.

Las tapas de los tornillos



Coloque la puerta de alimentos frescos en la bisagra central sobre el perno. Asegúrese de que la puerta esté alineada de forma horizontal y vertical, y que la junta quede sellada sobre todos los lados. Adhiera la bisagra superior retirada anteriormente sobre el lado izquierdo de su refrigerador y reemplace la tapa de la bisagra.



Sonidos normales de la operación.



Los refrigeradores más nuevos producen sonidos diferentes a los modelos más antiguos. Los refrigeradores modernos tienen más funciones y usan tecnología más reciente.

¿Usted escucha lo que yo escucho? Estos sonidos son normales.

HUMMM... WHOOSH...

- El nuevo compresor de alta eficiencia puede funcionar más rápido y durar más que el de su refrigerador anterior y puede escuchar un zumbido de tono alto o un sonido pulsante mientras opera.
- Puede escuchar un sonido de soplido cuando las puertas se cierran. Esto se debe a que la presión se está estabilizando dentro del refrigerador.



- Puede escuchar los ventiladores moviéndose a gran velocidad. Esto pasa cuando el refrigerador se conecta por primera vez, cuando las puertas se abren frecuentemente o cuando se guarda gran cantidad de alimentos en el refrigerador o en los compartimientos del congelador. Los ventiladores están ayudando a mantener las temperaturas correctas.

CHASQUIDOS, ESTALLIDOS, CRUJIDO

- Puede escuchar sonidos como de crujido o estallidos cuando el refrigerador se conecta por primera vez. Esto pasa a medida que el refrigerador se enfría hasta la temperatura correcta.
- El compresor puede causar un chasquido o un gorjeo cuando intenta volver a arrancar (esto puede tomar hasta 5 minutos).
- Expansión y contracción de las bobinas durante o después del ciclo de descongelación puede causar sonidos como de crujido o estallidos.
- En modelos con máquina de hielos, después de completar un ciclo de hacer hielo, se pueden escuchar los cubos de hielo cuando caen a la bandeja de hielos.

SONIDOS DE AGUA



- El fluido del refrigerante a través de las bobinas puede producir un sonido de borboteo como de agua hirviendo.
- El agua que cae en el calentador de descongelación puede causar un chisporroteo, estallido o zumbido durante el ciclo de descongelación.
- Un ruido de agua cayendo se puede escuchar durante el ciclo de descongelación a medida que el hielo se derrite del evaporador y fluye hacia la bandeja de drenaje.
- El cierre de las puertas puede producir un sonido de gorgoteo debido a la estabilización de la presión.



Solucionar problemas
¡Ahorre tiempo y dinero! Revise las tablas en las siguientes páginas y tal vez no necesitará de solicitar un servicio.

Problema	Causas Posibles	Qué hacer
El refrigerador no funciona	El refrigerador está en el ciclo de descongelado.	• Espere alrededor de 30 minutos para que termine el ciclo de descongelado.
	El refrigerador está desenchufado.	• Presione el enchufe completamente dentro del tomacorriente.
	Fusible quemado/interruptor de circuitos accionado.	• Cambie el fusible o reconfigure el interruptor.
Vibración o golpeteo (una leve vibración es normal)	Las patas de nivelación frontales deben ajustarse.	• Ver <i>Patas de nivelación</i> .
El motor funciona por periodos prolongados o se enciende y apaga frecuentemente (Los refrigeradores modernos con más espacio de almacenamiento y un congelador más grande requieren más tiempo de operación. Se encienden y apagan a menudo para mantener temperaturas parejas)	Normal cuando el refrigerador se enchufa por primera vez.	• Espere 24 horas para que el refrigerador se enfríe por completo.
	Esto ocurre a menudo cuando se colocan grandes cantidades de alimentos en el refrigerador.	• Esto es normal.
	Se dejó la puerta abierta.	• Constate que un paquete no esté manteniendo la puerta abierta.
	Clima caluroso o aperturas frecuentes de la puerta.	• Esto es normal.
	Control de temperatura configurado en el nivel más frío.	• Ver <i>Sobre el control</i> .
El compartimento de alimentos frescos o del congelador están muy calientes	El control de temperatura no se ha configurado lo suficientemente frío.	• Ver <i>Sobre el control</i> .
	Clima caluroso o aperturas frecuentes de la puerta.	• Configure el control de temperatura un paso más frío. Ver <i>Sobre el control</i> .
	Se dejó la puerta abierta.	• Constate que un paquete no esté manteniendo la puerta abierta.
Escarcha o cristales de hielo sobre los alimentos congelados (la escarcha dentro del paquete es normal)	Se dejó la puerta abierta.	• Constate que un paquete no esté manteniendo la puerta abierta.
	Aperturas de la puerta muy frecuentes o muy prolongadas	
Los cubitos de hielo tienen olor/sabor	Los alimentos transmiten olor/sabor a los cubitos de hielo	• Envuelva bien los alimentos.
	Debe limpiarse la parte interior del refrigerador.	• Ver <i>Cuidado y limpieza</i> .
Los cubitos de hielo tardan en hacerse	Se dejó la puerta abierta.	• Constate que un paquete no esté manteniendo la puerta abierta.
	El control de temperatura no se ha configurado lo suficientemente frío.	• Ver <i>Sobre el control</i> .

Antes de solicitar un servicio...



*Solucionar problemas
¡Ahorre tiempo y dinero! Revise las tablas en las siguientes
páginas y tal vez no necesitará de solicitar un servicio.*

Problema	Causas Posibles	Qué hacer
<i>El refrigerador tiene olor</i>	Los alimentos transmiten olor al refrigerador.	<ul style="list-style-type: none"> • Los alimentos con olores fuertes deben envolverse bien. • Mantenga una caja abierta de bicarbonato de sodio en el refrigerador; cámbiela casa tres meses.
	Debe limpiarse la parte interna.	<ul style="list-style-type: none"> • Ver <i>Cuidado y limpieza</i>.
<i>Se forma humedad en la parte exterior del refrigerador</i>	Resulta común durante períodos de humedad elevada.	<ul style="list-style-type: none"> • Seque la superficie con un paño.
<i>Se acumula humedad en el interior (en climas húmedos, el aire transporta humedad dentro del refrigerador cuando se abren las puertas)</i>	Aperturas de la puerta muy frecuentes o muy prolongadas.	
<i>La luz interior no funciona</i>	El tomacorriente no recibe energía.	<ul style="list-style-type: none"> • Cambie el fusible o reconfigure el interruptor.
	La bombilla de luz se ha quemado.	<ul style="list-style-type: none"> • Ver <i>Cómo cambiar la bombilla de luz</i>.
<i>Los alimentos se congelan en el refrigerador</i>	Los alimentos se encuentran muy cerca de la ventilación de aire en la parte trasera del refrigerador.	<ul style="list-style-type: none"> • Aleje los alimentos de la ventilación de aire.
	El control del refrigerador está configurado en una temperatura muy baja.	<ul style="list-style-type: none"> • Mueva el control del refrigerador a una configuración más elevada subiendo una unidad por vez.
<i>Óxido, pérdida de color o suciedad en puertas</i>	Ambiente húmedo o aire salino.	<ul style="list-style-type: none"> • Limpie el acero inoxidable con limpiadores que contengan ácido oxálico (tal como un Limpiador Suave de la marca Bar Keepers Friend); estos eliminarán el óxido, cal u otros deslustres. No limpie el refrigerador con una tela sucia para platos o una toalla mojada. No use estropajos, limpiadores en polvo, blanqueadores ni limpiadores que contengan blanqueador, ya que estos productos pueden rayar y arruinar la terminación del acero inoxidable.

Notas.

Garantía del refrigerador.



Todos los servicios de garantía los proporcionan nuestros Centros de Reparación de Fábrica o nuestros técnicos Customer Care® autorizados. Para concertar una cita de reparación, en línea, 24 horas al día, visite nos al GEAppliances.com, o llame al 800.GE.CARES (800.432.2737). Cuando llame para solicitar servicio, por favor tenga a mano el número de serie y el número de modelo.

Grape aquí su recibo. Se requiere facilitar prueba de la fecha de compra original para obtener un servicio bajo la garantía.

Para realizar el servicio técnico de su refrigerador se podrá requerir el uso de datos del puerto de abordaje para su diagnóstico. Esto da al técnico del Servicio de Fábrica de GE la habilidad de diagnosticar de forma rápida cualquier problema con su electrodoméstico, y de ayudar a GE a mejorar sus productos al brindarle a GE la información sobre su electrodoméstico. Si no desea que los datos de su electrodoméstico sean enviados a GE, solicitamos que le indique a su técnico NO entregar los datos a GE en el momento del servicio.

Por el período de:	GE reemplazará:
Un año A partir de la fecha de la compra original	Cualquier parte del refrigerador que falle debido a defectos en los materiales o en la fabricación. Durante esta garantía limitada de un año , GE también proporcionará, sin costo alguno , toda la mano de obra y el servicio relacionado para reemplazar partes defectuosas.

Lo que GE no cubrirá:

- Viajes del técnico del servicio a su hogar para enseñarle sobre cómo usar el producto.
- Instalación, entrega o mantenimiento inadecuados.
- Fallas del producto en caso de abuso, mal uso, o uso para propósitos diferentes al original o uso comercial.
- Pérdida de alimentos por mal estado.
- Reemplazo de fusibles de la casa o reinicio de disyuntores.
- Daño causado después de la entrega.
- Reemplazo del cartucho del filtro de agua, si se incluye, debido a la presión del agua que está fuera del rango de funcionamiento específico o debido a exceso de sedimentos en el suministro de agua.
- Reemplazo de bombillas de luz, si se incluyen, o del cartucho del filtro de agua, si se incluye, a diferencia de lo detallado anteriormente.
- Daños ocasionados sobre el producto por accidente, incendio, inundaciones o catástrofes naturales.
- Daños consecuentes o incidentales causados por posibles defectos de este producto.
- Producto no accesible para brindar el servicio requerido.
- Cualquier daño sobre la terminación deberá ser informado dentro de las 48 horas luego de la entrega del electrodoméstico.
- Productos que no presenten defectos ni estén rotos, o que estén funcionando de acuerdo con lo descrito en el Manual del Propietario.

EXCLUSIÓN DE GARANTÍAS IMPLÍCITAS—Su único y exclusivo derecho es la reparación del producto, tal y como se indica en esta Garantía limitada. Cualquier garantía implícita, incluyendo las garantías implícitas de comerciabilidad o adecuación para un fin determinado, están limitadas a un año o el período de tiempo más breve permitido por la ley.

Para los clientes de EE.UU. Esta garantía se extiende al comprador original y a cualquier dueño subsiguiente de productos comprados para uso hogareño dentro de EE.UU. Si el producto está en un área donde no se encuentra disponible un Proveedor Autorizado del Servicio Técnico de GE, usted será responsable por el costo de un viaje o se podrá requerir que traiga el producto a una ubicación del Servicio Técnico de GE Autorizado para recibir el servicio. En Alaska, la garantía excluye el costo de envío o llamadas del servicio a su hogar.

Algunos estados no permiten la exclusión o limitación de daños fortuitos o consecuentes. Esta garantía le da derechos legales específicos y es posible que tenga otros derechos legales que varían entre un estado y otro. Para conocer cuáles son sus derechos legales, consulte a la oficina de asuntos del consumidor local o estatal o al Fiscal de su estado.

Garante: General Electric Company. Louisville, KY 40225

Para los clientes de Canadá : Esta garantía se extiende al comprador original y cualquier comprador posterior de productos comprados en Canadá para uso residencial dentro de Canadá. El servicio a domicilio warrant será proporcionado en las áreas donde está disponible y que se considere razonable por Mabe para ofrecer.

Mabe Canada Inc., Burlington, ON, L7R 5B6

Servicio al consumidor.



Página Web de GE Appliances

GEAppliances.com

¿Tiene alguna pregunta sobre su electrodoméstico? ¡Pruebe la página Web de GE Appliances, 24 horas al día, cualquier día del año! Para mayor conveniencia y servicio más rápido, ya puede descargar los Manuales de los Propietarios, pedir piezas o incluso hacer una cita en línea para que vengan a realizar una reparación.



Solicite una reparación

GEAppliances.com

El servicio de expertos GE está a tan sólo un paso de su puerta. ¡Entre en línea y solicite su reparación cuando le venga cualquier día del año! O llame al 800.GE.CARES (800.432.2737) durante horas normales de oficina.



Real Life Design Studio (Estudio de diseño para la vida real) *GEAppliances.com*

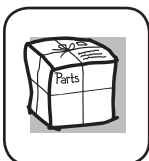
GE apoya el concepto de Diseño Universal—productos, servicios y ambientes que pueden usar gente de todas las edades, tamaños y capacidades. Reconocemos la necesidad de diseñar para una gran gama de habilidades y dificultades físicas y mentales. Para más detalles sobre las aplicaciones de GE Diseño Universal, incluyendo ideas de diseño para la cocina para personas con discapacidades, mire nuestra página Web hoy mismo. Para personas con dificultades auditivas, favor de llamar al 800.TDD.GEAC (800.833.4322).



Garantías ampliadas

GEAppliances.com

Compre una garantía ampliada y obtenga detalles sobre descuentos especiales disponibles mientras su garantía está aún activa. Puede comprarla en línea en cualquier momento, o llamar al (800.626.2224) durante horas normales de oficina. GE Consumer Home Services estará aún ahí cuando su garantía termine.



Piezas y accesorios

GEAppliancesparts.com

Aquellos individuos con la calificación necesaria para reparar sus propios electrodomésticos pueden pedir que se les manden las piezas o accesorios directamente a sus hogares (aceptamos las tarjetas VISA, MasterCard y Discover). Haga su pedido en línea hoy, 24 horas cada día o llamar por teléfono al 800.626.2002 durante horas normales de oficina.

Las instrucciones descritas en este manual cubren los procedimientos a seguir por cualquier usuario. Cualquier otra reparación debería, por regla general, referirse a personal calificado autorizado. Debe ejercerse precaución ya que las reparaciones incorrectas pueden causar condiciones de funcionamiento inseguras.



Póngase en contacto con nosotros

GEAppliances.com

Si no está satisfecho con el servicio que recibe de GE, póngase en contacto con nosotros en nuestra página Web indicando todos los detalles así como su número de teléfono o escribanos a:

General Manager, Customer Relations
GE Appliances, Appliance Park
Louisville, KY 40225



Registre su electrodoméstico

GEAppliances.com

¡Registre su nuevo electrodoméstico en línea—cuando usted prefiera! El registrar su producto a tiempo le proporcionará, si surgiera la necesidad, una mejor comunicación y un servicio más rápido bajo los términos de su garantía. También puede enviar su tarjeta de registro pre-impresa que se incluye en el material de embalaje.

Consumer Support.



GE Appliances Website

GEAppliances.com

Have a question or need assistance with your appliance? Try the GE Appliances Website, 24 hours a day, any day of the year! For greater convenience and faster service, you can now download Owner's Manuals, order parts or even schedule service on-line. In Canada, visit www.geappliances.ca.



Schedule Service

GEAppliances.com

Expert GE repair service is only one step away from your door. Get on-line and schedule your service at your convenience any day of the year! Or call 800.GE.CARES (800.432.2737) during normal business hours. In Canada, call 800.561.3344



Real Life Design Studio

GEAppliances.com

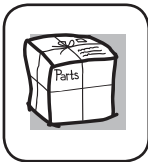
GE supports the Universal Design concept—products, services and environments that can be used by people of all ages, sizes and capabilities. We recognize the need to design for a wide range of physical and mental abilities and impairments. For details of GE's Universal Design applications, including kitchen design ideas for people with disabilities, check out our Website today. For the hearing impaired, please call 800.TDD.GEAC (800.833.4322).



Extended Warranties

GEAppliances.com

Purchase a GE extended warranty and learn about special discounts that are available while your warranty is still in effect. You can purchase it on-line anytime, or call 800.626.2224 during normal business hours. GE Consumer Home Services will still be there after your warranty expires. In Canada, consult your local listings for an extended warranty provider.



Parts and Accessories

GEAppliancesparts.com

Individuals qualified to service their own appliances can have parts or accessories sent directly to their homes (VISA, MasterCard and Discover cards are accepted). Order on-line today, 24 hours every day or by phone at 800.626.2002 during normal business hours. In Canada, call 800.661.1616.

Instructions contained in this manual cover procedures to be performed by any user. Other servicing generally should be referred to qualified service personnel. Caution must be exercised, since improper servicing may cause unsafe operation.



Contact Us

GEAppliances.com

If you are not satisfied with the service you receive from GE, contact us on our Website with all the details including your phone number, or write to:

General Manager, Customer Relations
GE Appliances, Appliance Park
Louisville, KY 40225

In Canada, contact:

Director, Customer Relations
Suite 310, 1 Factory Lane
Moncton, N.B. E1C 9M3



Register Your Appliance

GEAppliances.com

Register your new appliance on-line—at your convenience! Timely product registration will allow for enhanced communication and prompt service under the terms of your warranty, should the need arise. You may also mail in the pre-printed registration card included in the packing material. In Canada, visit www.geappliances.ca.