

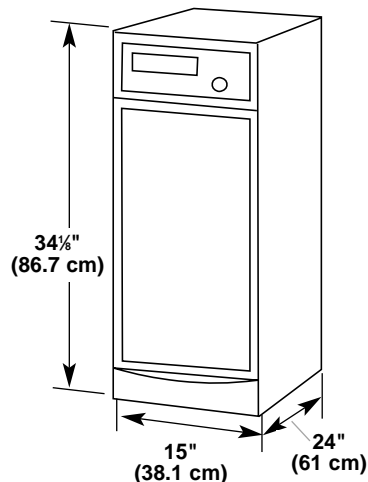
# KitchenAid® Compactor

## PRODUCT MODEL NUMBERS

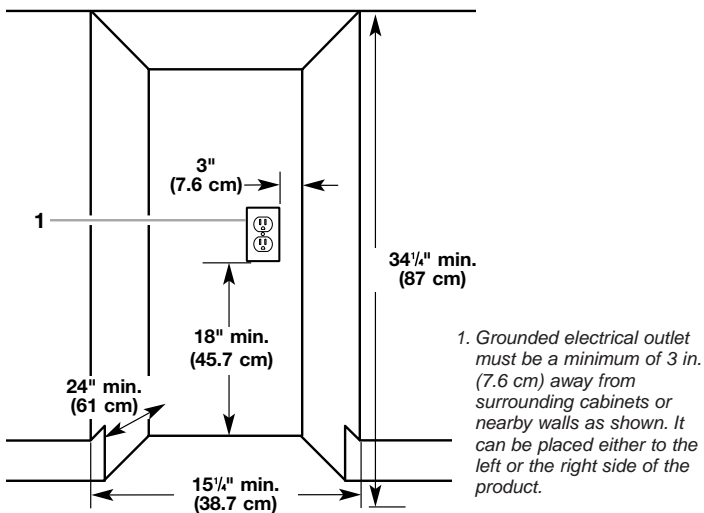
KUCC151L

**Electrical:** 115-volt, 60-Hz, AC-only, 15- or 20-amp. grounded circuit is required. A time-delay fuse or circuit breaker and separate circuit is recommended.

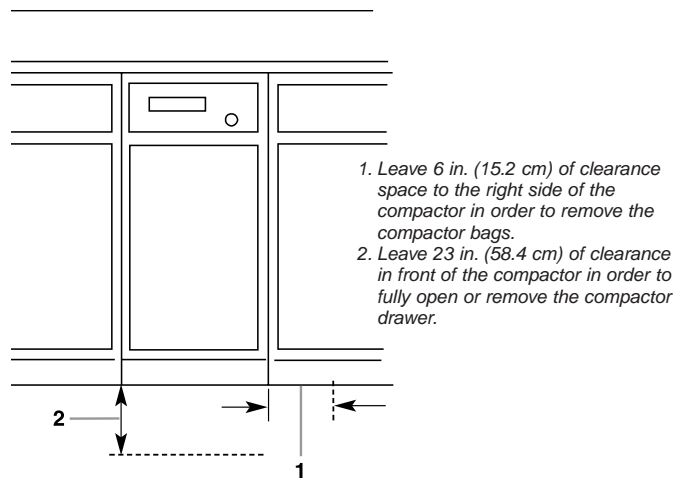
## OVERALL DIMENSIONS



## CABINET OPENING DIMENSIONS

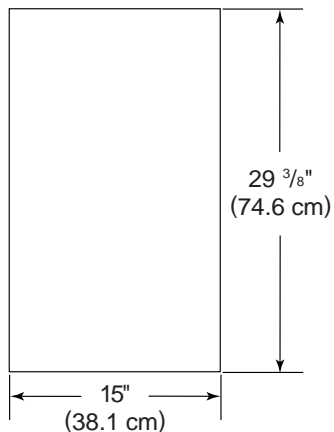


## CLEARANCE DIMENSIONS



## CUSTOM PANEL

### Trimless panel without handles



Panel should be 1/2 in. (13 mm) minimum thick.