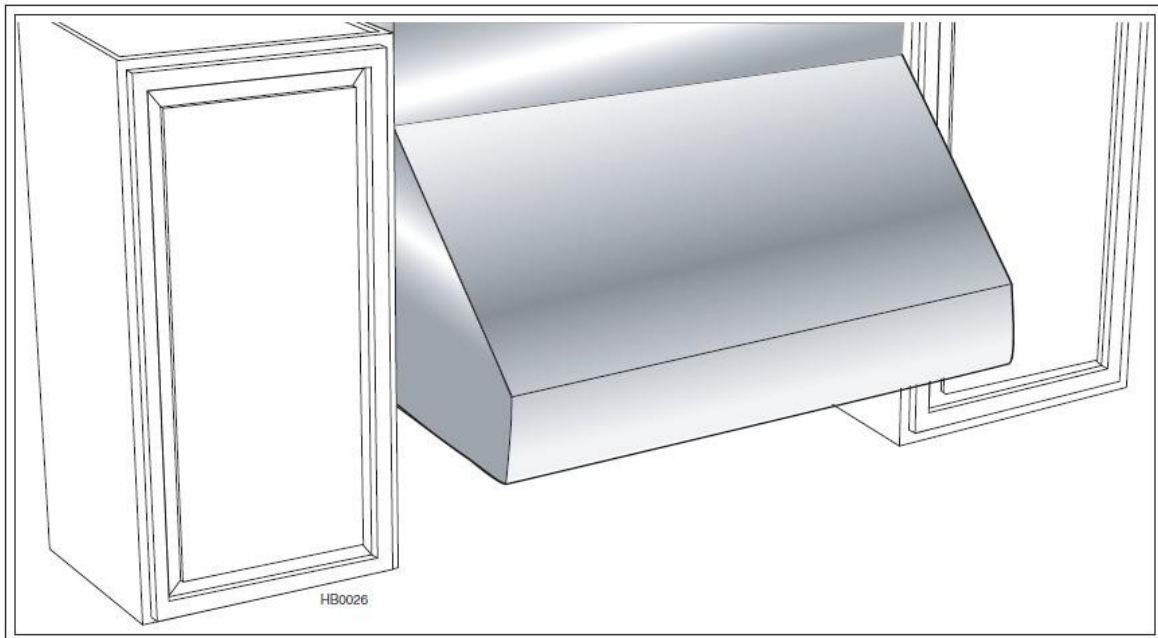




Range Hood

Use & Care / Installation Manual

- Models FSH301-SS (30" wide - Stainless)
 FSH361-SS (36" wide - Stainless)
 FSH481-SS (48" wide - Stainless)
 FSH601-SS (60" wide - Stainless)



⚠ INTENDED FOR DOMESTIC COOKING ONLY ⚠

READ AND SAVE THESE INSTRUCTIONS

TABLE OF CONTENTS

SECTION	PAGE	SECTION	PAGE
Warranty	2	FIVESTAR Range Hood System	6
Safety Instructions	3	Prepare The Hood Location	7
Operation	4	Prepare The Hood	8
Cleaning	4	Install The Hood	9
Parts Included With Hood	5	Connect The Wiring	10
Parts Not Included With Hood	5	Wiring Diagram	10
Optional Parts	5	Finalize the Installation	10
Tools Needed	5	Install The Filters	11
		Service Parts	12

WARRANTY

LIMITED WARRANTY

FIVESTAR

RANGE HOODS

This product has been designed for domestic household use. If properly installed and operated under normal conditions in accordance with the printed instructions, it will satisfactorily perform the functions that are generally expected of this type of product.

ONE YEAR PARTS AND LABOR

If this product fails to do so because of a defect in material or workmanship within one year from the date of original purchase:

We will at our option, repair, exchange, or correct by other means we consider appropriate, any part(s) we find to be defective except for the finish, warming lamps, and lamp bulbs. Any parts to be replaced or repaired will be warranted only for the balance of the original year.

OWNERSHIP

This warranty remains in force for the time period mentioned above from the date of original retail purchase. YOU MUST KEEP YOUR RECEIPT AS PROOF OF THE DATE OF ORIGINAL PURCHASE.

WARRANTY CONDITIONS

This warranty DOES NOT apply to any product that has been subjected to alteration, misuse, abuse (including damage by foreign agents or chemicals), accident, improper installation, delivery damage, or other than normal household use and service.

This warranty does not apply to the stainless steel finish as it is specifically dependent upon proper care by the use. We warrant only that it is manufactured to a commercially acceptable standard and conforms to it at time of delivery.

This warranty is LIMITED STRICTLY to the terms indicated herein, and no other expressed warranties or remedies thereunder shall be binding on us. TO THE EXTENT CONSISTENT WITH STATE AND FEDERAL LAWS: (1) ANY IMPLIED WARRANTIES SHALL BE LIMITED TO THE SAME TIME PERIOD STATED HEREIN FOR THE EXPRESSED WARRANTIES, AND (2) WE SHALL NOT BE LIABLE FOR ANY INCIDENTAL OR CONSEQUENTIAL DAMAGES UNDER ANY EXPRESSED OR IMPLIED WARRANTIES RELATING TO THE PRODUCT.

The warranty obligation on this product outside the contiguous 48 U.S. States and the District of Columbia shall be LIMITED STRICTLY to furnishing replacement parts and shall EXCLUDE service labor.

FEDERAL REGULATORY PROVISIONS

Some states or provinces do not allow limitations on how long an implied warranty lasts nor limitations or exclusions of incidental or consequential damages, so the above limitations or exclusions may not apply to you. This warranty gives you specific legal rights, and you may also have other rights which vary from state to state, or province to another, as well as rights under Federal Laws.

PURCHASER'S RESPONSIBILITIES

The purchaser will be responsible for the costs of any service calls requested to demonstrate or confirm the proper operation of the product, to correct an improper installation, or to correct malfunctions in the product created by the operation in a manner not prescribed by or cautioned against in the instructions.

MODEL NUMBER

The model number can be found on a label attached to the hood. The purchaser should always use the model number and hood size when talking to or writing to the dealer or builder from whom this product was purchased or the local authorized service agency.

FACTORY ASSISTANCE

If the purchaser is unable to located an authorized service agency, or if the purchaser does not receive satisfaction from the source from whom the product was purchased, or from the local service agency, write to: customerservice@fivestarrange.com.

SAFETY INSTRUCTIONS

WARNING ⚡ 🔥

TO REDUCE THE RISK OF FIRE, ELECTRIC SHOCK, OR INJURY TO PERSONS, OBSERVE THE FOLLOWING:

1. Use this unit only in the manner intended by the manufacturer. If you have questions, contact the manufacturer at the address listed in the warranty.
2. Before servicing or cleaning unit, switch power off at service panel and lock the service disconnecting means to prevent power from being switched on accidentally. When the service disconnecting means cannot be locked, securely fasten a prominent warning device, such as a tag, to the service panel.
3. Installation work and electrical wiring must be done by a qualified person(s) in accordance with all applicable codes and standards, including fire-rated codes and standards.
4. Sufficient air is needed for proper combustion and exhausting of gases through the flue (chimney) of fuel burning equipment to prevent backdrafting. Follow the heating equipment manufacturer's guideline and safety standards such as those published by the National Fire Protection Association (NFPA), and the American Society for Heating, Refrigeration and Air Conditioning Engineers (ASHRAE), and the local code authorities.
5. When cutting or drilling into wall or ceiling, do not damage electrical wiring and other hidden utilities.
6. Do not use this range hood with any additional solid state speed control device.
7. Ducted fans must always be vented to the outdoors.
8. To reduce the risk of fire, use only steel ductwork.
9. This unit must be grounded.

TO REDUCE THE RISK OF A RANGE TOP GREASE FIRE:

1. Never leave surface units unattended at high settings. Boilovers cause smoking and greasy spillovers that may ignite. Heat oils slowly on low or medium settings.
2. Always turn hood ON when cooking at high heat or when cooking flaming foods.
3. Clean ventilating fans frequently. Grease should not be allowed to accumulate on fan or filter.
4. Use proper pan size. Always use cookware appropriate for the size of the surface element.

WARNING ⚡ 🔥

TO REDUCE THE RISK OF INJURY TO PERSONS IN THE EVENT OF A RANGE TOP GREASE FIRE, OBSERVE THE FOLLOWING:*

1. SMOTHER FLAMES with a close-fitting lid, cookie sheet, or metal tray, then turn off the burner. BE CAREFUL TO PREVENT BURNS. If the flames do not go out immediately, EVACUATE AND CALL THE FIRE DEPARTMENT.
2. NEVER PICK UP A FLAMING PAN - You may be burned.
3. DO NOT USE WATER, including wet dishcloths or towels - This could cause a violent steam explosion.
4. Use an extinguisher ONLY if:
 - A. You know you have a Class ABC extinguisher and you already know how to operate it.
 - B. The fire is small and contained in the area where it started.
 - C. The fire department is being called.
 - D. You can fight the fire with your back to an exit.

* Based on "Kitchen Firesafety Tips" published by NFPA.

CAUTION ⚠

1. For general ventilating use only. Do not use to exhaust hazardous or explosive materials and vapors.
2. To avoid motor bearing damage and noisy and/or unbalanced impellers, keep drywall spray, construction dust, etc. off power unit.
3. Your hood motor has a thermal overload which will automatically shut off the motor if it becomes overheated. The motor will restart when it cools down. If the motor continues to shut off and restart, have the hood serviced.
4. For best capture of cooking impurities, the bottom of the hood should be a minimum of 24" and a maximum of 30" above the cooking surface.
5. To reduce the risk of fire and to properly exhaust air on a ducted installation, be sure to duct air outside - Do not exhaust air into spaces within walls or ceiling or into attics, crawl spaces, or garage.
6. This product is equipped with a thermostat which may start blower automatically. To reduce the risk of injury and to prevent power from being switch on accidentally, switch power off at service panel and lock or tag service panel.
7. To reduce the risk of fire and electric shock, the FIVESTAR hood must be installed with FIVESTAR blower models FBK600, FBK1200 or exterior blower model 332H only. Other blowers cannot be substituted. (Blowers sold separately).
8. Use with approved cord-connection kit only.
9. Please read specification label on product for further information and requirements.

Warranty

Safety

Operation

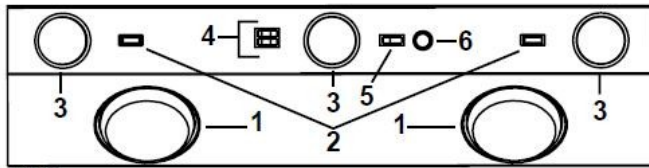
Cleaning

Installation

Service Parts

OPERATION

Always turn ON your hood before you begin cooking in order to establish an air flow in the kitchen. Let the blower run for a few minutes to clear the air after you turn off the range. This will help keep the whole kitchen cleaner and brighter.



HC0004

1. Warming lamps
2. Warming lamp switches
3. Halogen lights
4. Halogen light switches
5. ON/OFF Blower switch
6. Blower speed control

Warming Lamps (Infrared)

Each warming lamp (item 1 on picture above) is controlled with its own ON/OFF switch (item 2 on picture above).

Use only BR40 Size, 250W Max., Infrared bulbs. (Purchase separately.)



WARNING: Do not place highly flammable material on warming shelves.

Cooktop Lighting (Halogen)

A double set of ON/OFF switches (item 4 on picture above) control the halogen lights (item 3 on picture above).

The front rocker controls the center light. The rear rocker controls both side lights. Select one, two, or three lights for best cooktop lighting.

Use PAR 20, 50W halogen bulbs. (Purchase separately.)

Blower

The blower is operated using two (2) controls.

Use the ON/OFF blower switch (item 5 on picture above) to start and stop the blower. When turned on, the blower will operate at the previous setting of the speed control (item 6 on the picture above).

Turn the speed control knob clockwise to decrease blower speed - counterclockwise to increase speed.

HEAT SENTRY™

Your hood is equipped with a HEAT SENTRY™ thermostat. This thermostat is a device that will turn on or speed up the blower if it senses excessive heat above the cooking surface.

- 1) If blower is OFF - it turns blower ON to high speed.
- 2) If blower is ON at a lower speed setting - it turns blower up to HIGH speed.

When the temperature level drops to normal, the blower will return to its original setting.



WARNING: The HEAT SENTRY™ thermostat can start the blower even if the hood is turned OFF. When this occurs, it is impossible to turn the blower OFF with the switch. If you must stop the blower, do it from the main electrical panel.

CLEANING

Grease filters

The grease filters should be cleaned frequently. Use a warm detergent solution. Grease filters are dishwasher safe.

Wash more often if your cooking style generates greater grease - like frying foods or wok cooking.

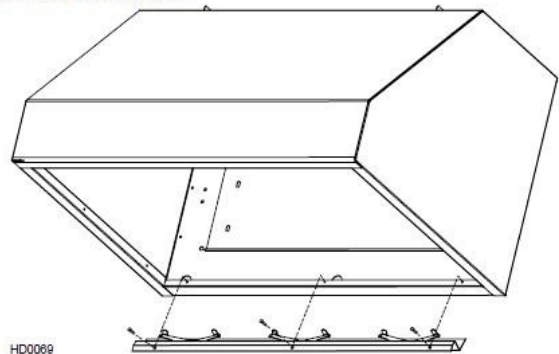
Remove filters by pushing filters towards the back of hood and rotating filters downward.

Blower Cleaning

Remove the grease filters in order to access the blower. Vacuum blower to clean. Do not immerse in water. Refer to blower instruction manual for more details.

Grease Rail

The grease rail should be cleaned frequently, especially if baffle filters are used. Remove filters, then, disassemble the grease rail from the hood by removing its 3 retaining screws. See illustration below.



Refer to *Stainless steel cleaning* in Hood Cleaning section below. Once the grease rail is clean and dry, reassemble it to the hood and reinstall filters.

Hood Cleaning

Stainless steel cleaning: How to maintain its "BRIGHT LOOK"

Do:

- Regularly wash surfaces with clean cloth or rag soaked with warm water and mild soap or liquid dish detergent.
- Always clean in the direction of original polish lines.
- Always rinse well with clear water (2 or 3 times) after cleaning. Wipe dry completely.
- You may also use a specialized household stainless steel cleaner.

Don't:

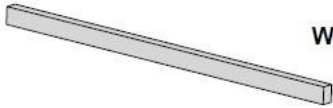
- Do not use any steel or stainless steel wool or any other scrapers to remove stubborn dirt.
- Do not use any harsh or abrasive cleaners.
- Do not allow dirt to accumulate.
- Do not let plaster dust or any other construction residues reach the hood. During construction/renovation, cover the hood to make sure no dust sticks to stainless steel surface.

Avoid: when choosing a detergent

- Any cleaners that contains bleach will attack stainless steel.
- Any products containing: chloride, fluoride, iodide, bromide will deteriorate surfaces rapidly.
- Any combustible products used for cleaning such as acetone, alcohol, ether, benzol, etc., are highly explosive and should not be used close to a range.

Enamel finish: Clean with warm water and detergent only. When discoloration occurs, use a good enamel polish such as automotive polish. (**DO NOT** use rough abrasive cleaner or porcelain cleaner.)

PARTS INCLUDED WITH HOOD



Wood mounting strip



Grease Filters
(3 per 30" and 36" hood)
(4 per 48" hood)
(5 per 60" hood)



Parts Bag
(includes 4 flat head screws #10-2",
8 screws #8-3/4", 4 Nuts #10-32,
2 Wall anchors and
2 Washers 3/16" ID x 3/4" OD)

PARTS NOT INCLUDED WITH HOOD



**PAR 20 50W
Light Bulb**
(3 per hood)



**BR40, 250W Max.
Warming Lamp**
(2 per hood)

Ducting Accessories

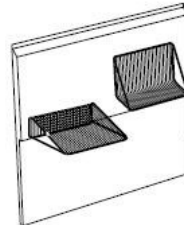
(See "FIVESTAR Range Hood System" on page 6 for Ducting Accessory Model Nos.)

Blower (interior OR exterior)

(See "FIVESTAR Range Hood System" on page 6 for Blower Model Nos.)

OPTIONAL PARTS

Soffit Chimney	
Description	Model Number
30" Stainless	FDC30-SS
36" Stainless	FDC36-SS
48" Stainless	FDC48-SS
60" Stainless	FDC60-SS



Backsplash	
Description	Model Number
30" Stainless	FBS30
36" Stainless	FBS36
48" Stainless	FBS48
60" Stainless	FBS60

TOOLS NEEDED FOR HOOD INSTALLATION



Screwdriver
(Robertson or Phillips)



Pencil



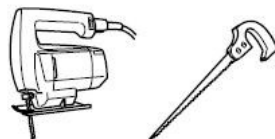
Tape Measure



3/8" Nutdriver



Drill



Sabre Saw -or- Keyhole Saw



Duct Tape



Wire Stripper

Warranty

Safety

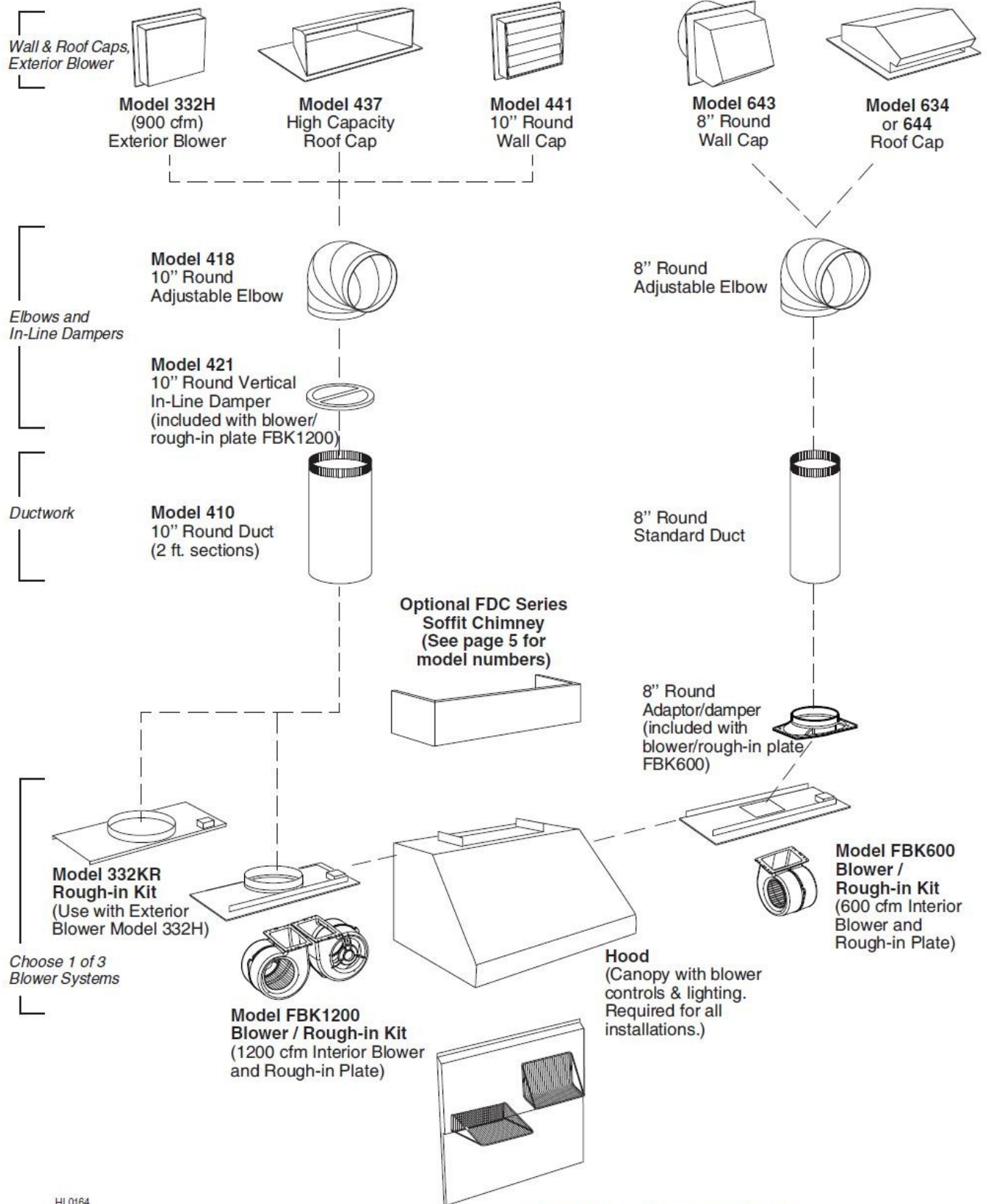
Operation

Cleaning

Installation

Service Parts

FIVESTAR RANGE HOOD SYSTEM

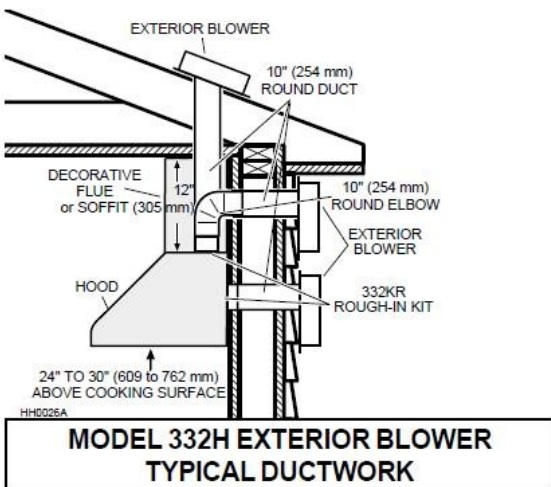
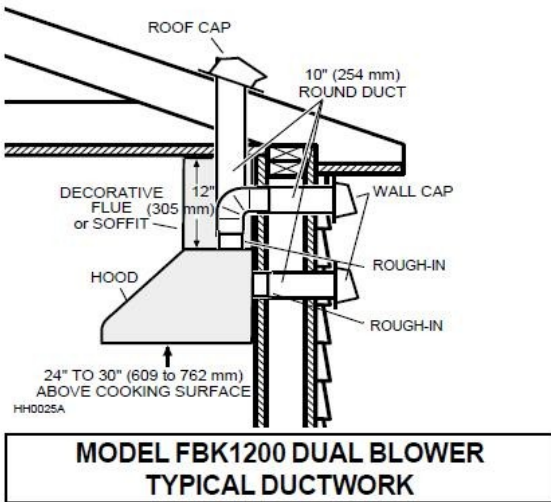
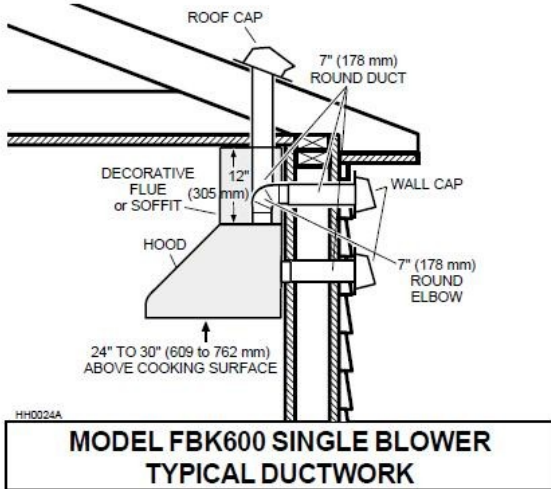


HL0164

FIVESTAR MODELS available through your local FIVESTAR store or from FIVESTAR Parts at 1-800-553-7704.

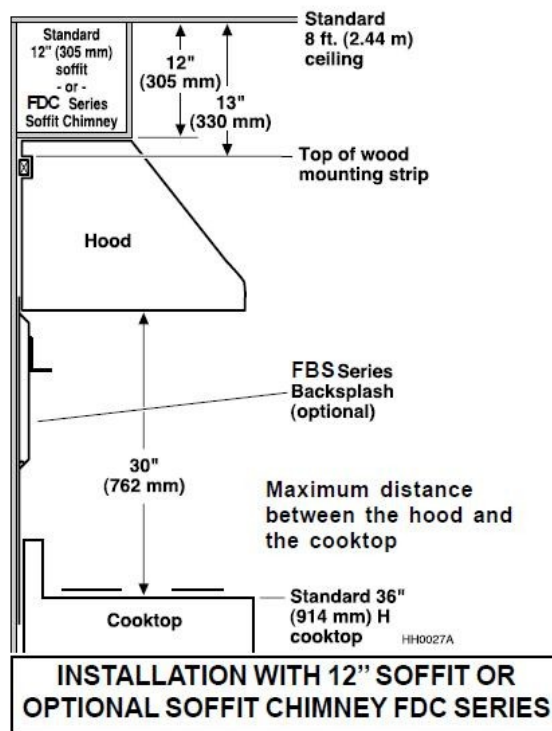
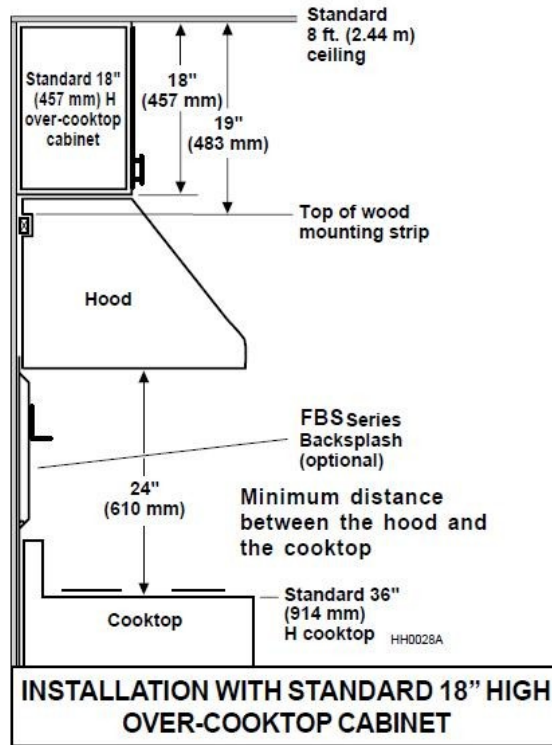
PREPARE THE HOOD LOCATION

- The FIVESTAR hood must be installed with interior blower models FBK600 or FBK1200, or exterior blower model 332H only. Other blowers cannot be substituted. (Blowers sold separately.)
Plan where and how the ductwork will be located.
Install proper-sized ductwork, elbow(s), and roof or wall cap for the model of blower you are using.
For best results, use a minimum number of elbows.



- Dimensions for the most common installations are shown below.

Adjust your measurements for various heights of ceilings, soffits, cabinets or cooktops. For proper operation, the hood must be a minimum of 24" and a maximum of 30" above the cooktop.



Warranty

Safety

Operation

Cleaning

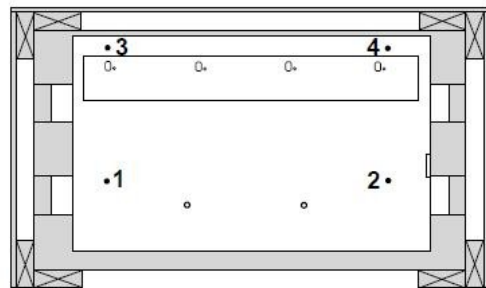
Installation

Service Parts

PREPARE THE HOOD

- Using a Phillips #2 or a Robertson #2 screwdriver, unscrew the hood from the bottom of crate. Refer to figure to the right to locate all 4 screws. Discard these screws and remove hood from wood pallet.

HR0002



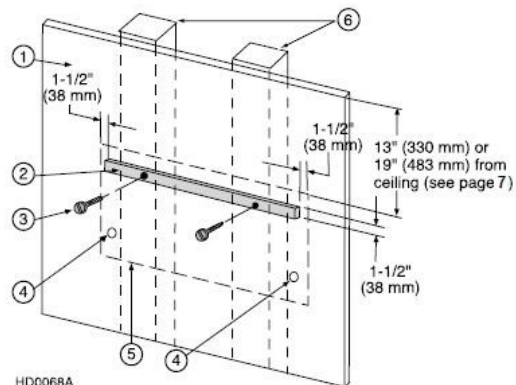
OPTION

A Backsplash is available (see page 5 for more details). This backsplash must be installed before the hood shell because the hood shell covers the backsplash top mounting screws. In order to be able to install the backsplash, make sure you have at least 18" (457 mm) clearance between bottom of hood and range control panel or cooktop. (Refer to instructions included with backsplash.)

- Measure and mark a level line on wall above cooktop location for the wood mounting strip (see illustrations to the right and under step 2 on page 7). Use **#10-2" flat head screws** (included in the parts bag) to secure the **mounting strip** to the drywall. Make sure to hit the wall studs.



CAUTION: Due to the weight of this hood, ensure that the wood strip is attached to all of the available wall studs (2 studs minimum for the 30" hood, more as hood width increases); not into drywall alone.



HD0068A

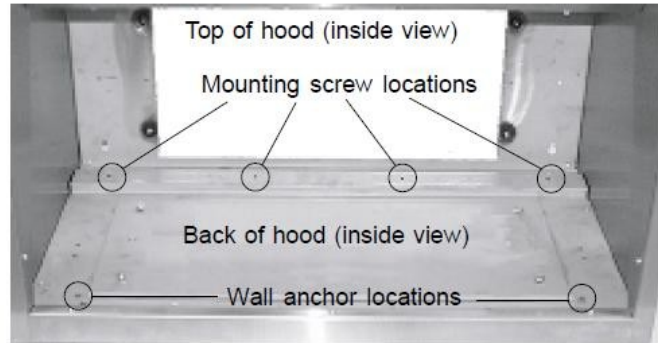
- Drywall
- Wood Mounting Strip
- Flat Head Screw
- Wall Anchor Location
- Outline of the Back of the Hood
- Wall Studs

INSTALL THE HOOD

1. Rest the back cavity of the hood on the wood mounting strip.

CAUTION: Hold the hood until it is completely secured to the wood mounting strip.

Secure hood to wood strip with (4) **screws #8 - 3/4"** (for 30" and 36" width hoods) or (6) screws (for 48" and 60" width hood) provided at location shown. Drill (2) 3/16" size holes into the drywall for wall anchors through the existing holes in the inside hood back in the locations shown. Then install the (2) **wall anchors** and attach the hood to these anchors with the remaining **#8 - 3/4" screws** and the (2) **washers** provided.



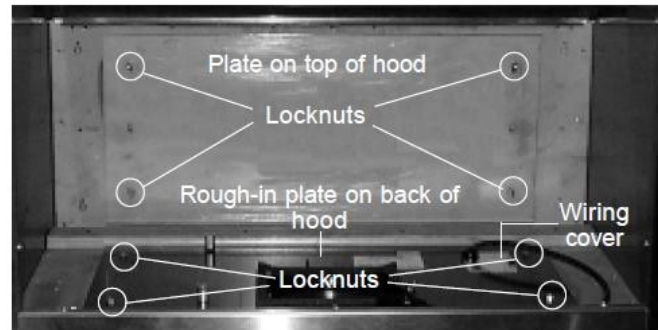
HD0064

2. Run power cable to installation location. Refer to the instructions included with the selected **blower / rough-in kit** (sold separately) for details on installing the rough-in plate. Install the rough-in plate so that the wiring box is located on the right side as you are facing the hood.

For ducting through back of hood, remove existing plate from inside back of hood and attach to inside top of hood to cover hole. Secure to threaded studs with same (4) nuts.

For ducting through top of hood, existing plate remains in place on inside back of hood.

Connect ducting to rough-in plate as you are installing the rough-in plate. Use duct tape to make all joints secure and air-tight.



HD0063

Warranty

Safety

Operation

Cleaning

Installation

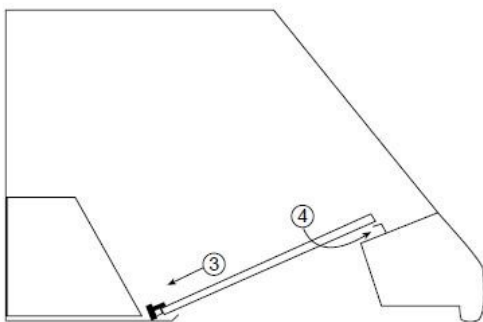
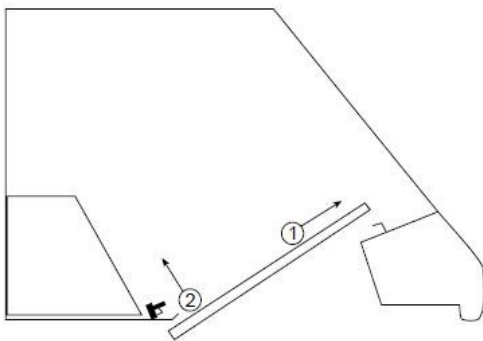
Service Parts

INSTALL FILTERS

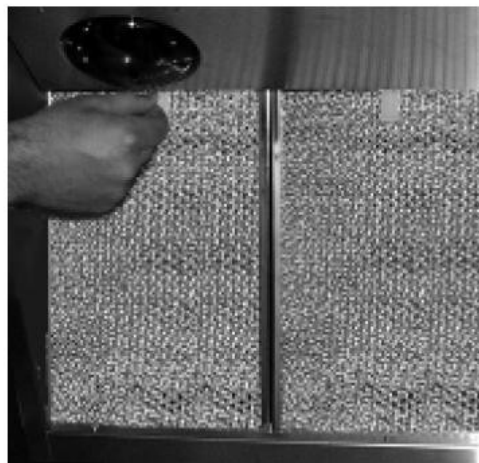
CAUTION: Remove protective plastic film covering filters before installing them.

It is recommended to install side filters first and finish with center one(s).

- 1) Insert upper end of filter into the hood (pull tab side).
- 2) Raise lower end toward the inside of hood.
- 3) Position rear part of filter into channel and pull.
- 4) Using the pull tab, pull on the upper end of filter and slide it under the front inner retaining piece.



HD0024



HD0070

Replacement filters are available.
Refer to page 12 for ordering information.

Warranty

Safety

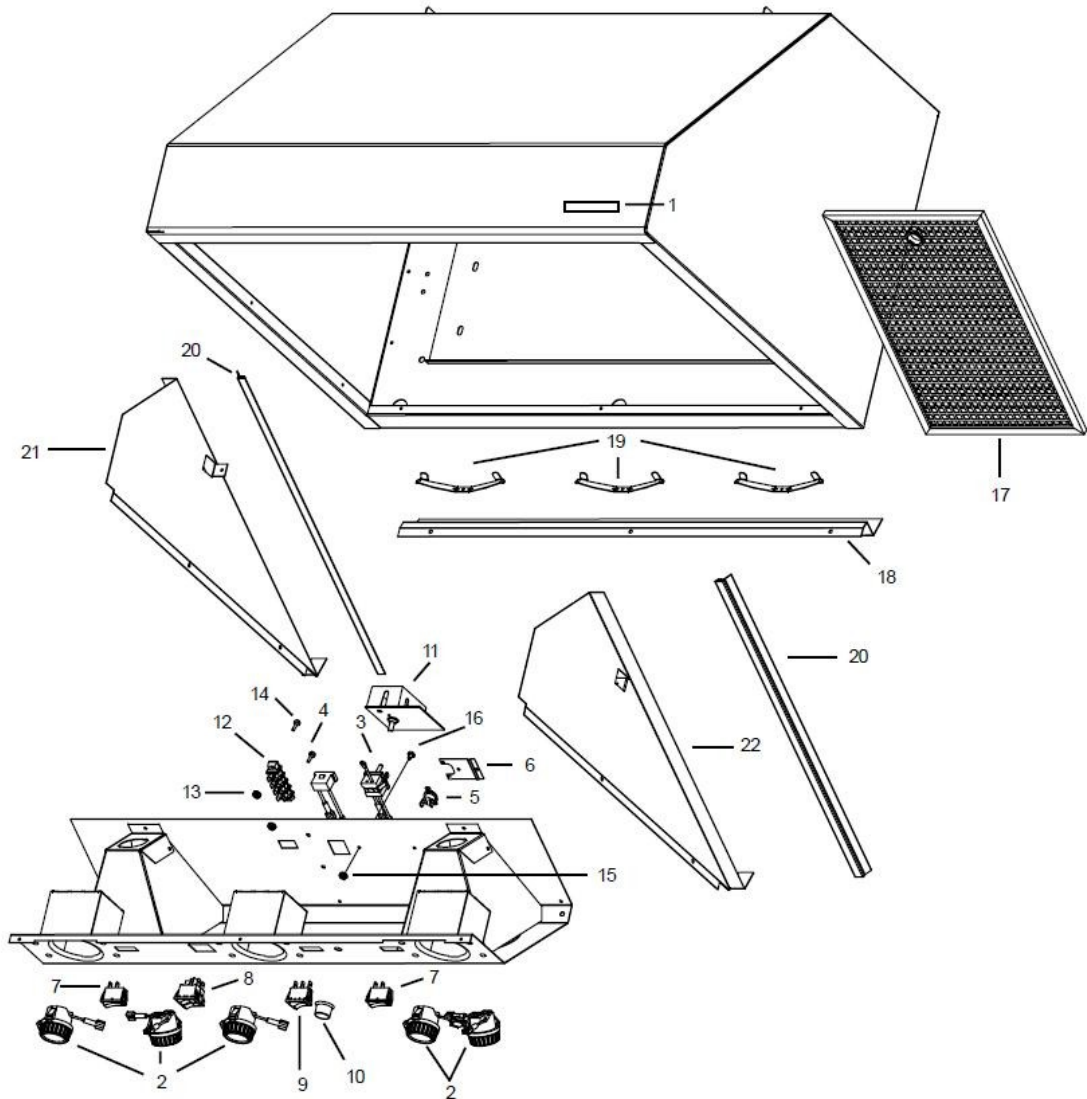
Operation

Cleaning

Installation

Service Parts

SERVICE PARTS



HL0031

KEY NO.	PART NO.	DESCRIPTION
1	V05616	FIVESTAR Logo
2	V02264	Porcelain Lamp Socket
3	V02773	Male Motor Connector
4	V02772	Female Motor Connector
5	V03435	Thermostat
6	V03436	Thermostat Bracket
7	V02563	SPST Single Switch for Heat Lamps
8	V03502	SPST Double Switch for Halogen Lights
9	V03503	SPST Lighted Single Switch for Blower
10	V03504	Speed Control Button
11	V03501	Speed Control
12	V03505	Terminal Block
**	V03517	Power Cord
**	V03519	Control Wire
**	V03520	Lighted Switch Wire
13	V00673	Lock Nut 8-32
14	V02517	Machine Screw 8-32 x 1/2 Quadrex
15	V01869	Machine Screw 6-32 x 1/4 Pan Quadrex
16	V01582	Lock Nut 6-32
17	V05662	Mesh Filter Kit for 30" Hood 9.5 x 15.25 x 0.355 (QTY:3)

KEY NO.	PART NO.	DESCRIPTION
17	V05663	Mesh Filter for 36" Hood 11.61 x 15.25 x 0.355 (3 required)
	V05663	Mesh Filter for 48" Hood 11.61 x 15.25 x 0.355 (4 required)
	V05663	Mesh Filter for 60" Hood 11.61 x 15.25 x 0.355 (5 required)
18	V14763	Grease Rail 30"
	V14764	Grease Rail 36"
	V14766	Grease Rail 48"
	V14768	Grease Rail 60"
19	V05528	Filter Spring 5.265" x 0.350"
20	V05521	Sealing Extrusion 20.625"
21	V14744	Left Side Liner
22	V14745	Right Side Liner
**	V05650	Manual for Five Star
**	V12971	Installation Bag (Flat head screws #10 x 2" (4), Screws #8 x 3/4" (8), Nuts #10-32 (4), Wall anchors (2), Washers 3/16" ID x 3/4" OD (2))
**	V02544	Halogen Lamp PAR20 50W
*		Heat Lamp BR40, 250W max.

Order replacement parts by PART NO. - not by KEY NO.

* Purchased locally.

** Not illustrated.