

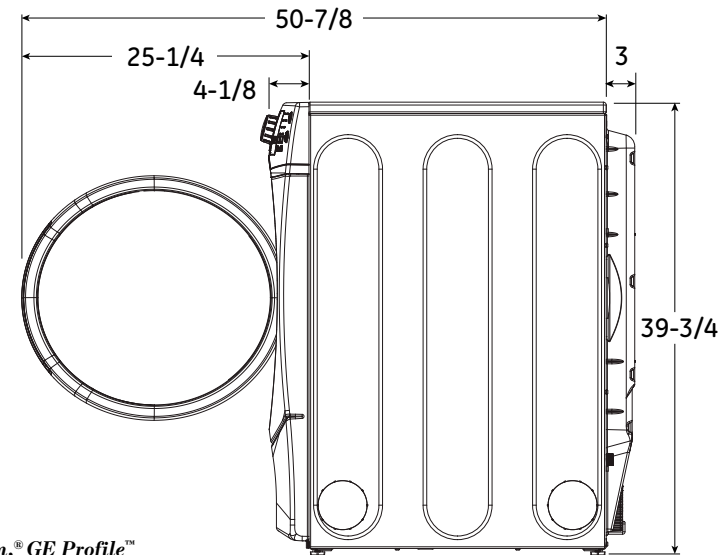
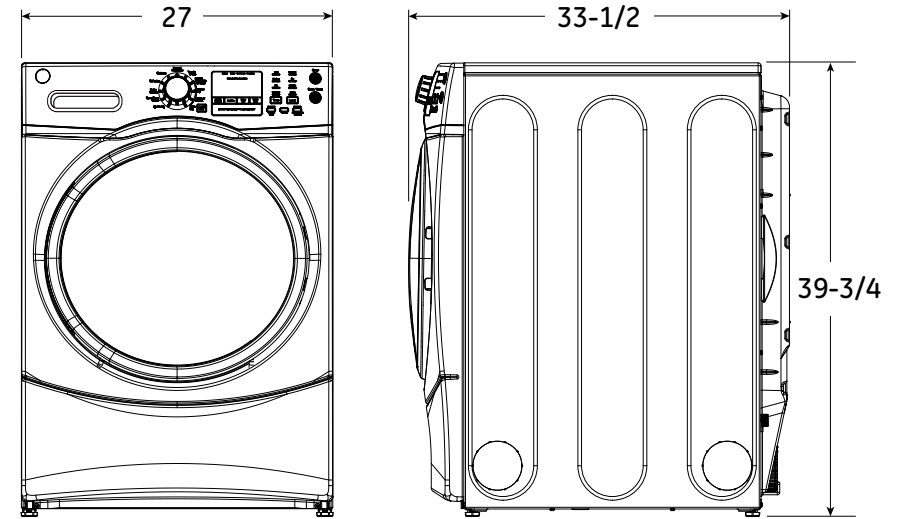
# GFWN1600J

GE® ENERGY STAR® 4.3 DOE cu. ft. stainless steel capacity front load washer with Sanitize with Oxi

## DIMENSIONS AND INSTALLATION INFORMATION (IN INCHES)

Electric Rating	
120V	12.0A, 60Hz

**INSTALLATION INFORMATION:** For complete information, see installation instructions packed with your washer.



GE APPLIANCES

For answers to your Monogram,® GE Profile™ or GE® appliance questions, visit our website at [geappliances.com](http://geappliances.com) or call GE Answer Center® service, 800.626.2000.



Listed by  
Underwriters  
Laboratories

Specification Created 3/15

# GFWN1600J

**GE® ENERGY STAR® 4.3 DOE cu. ft. stainless steel capacity front load washer with Sanitize with Oxi**

## SPECIAL INSTALLATION REQUIREMENTS:

### STACKED INSTALLATION:

Brackets for stacking dryer over washer are not included with the washer. Order part no. GEFLSTACK or part no. WE25X10018.

### ALCOVE OR CLOSET INSTALLATION:

- If your dryer is approved for installation in an alcove or closet, it will be stated on a label on the dryer back.
- The dryer **MUST** be exhausted to the outside.
- Minimum clearances between dryer cabinet and adjacent walls or other surfaces are: 0" either side, 3" front and rear
- Minimum vertical space from floor to overhead cabinets, ceilings, etc. is 52".
- Closet doors must be louvered or otherwise ventilated and must contain a minimum of 60 sq. in. of open area equally distributed. If this closet contains both a washer and a dryer, doors must contain a minimum of 120 sq. in. of open area equally distributed.
- No other fuel-burning appliance shall be installed in the same closet with a gas dryer.

### BATHROOM OR BEDROOM INSTALLATION:

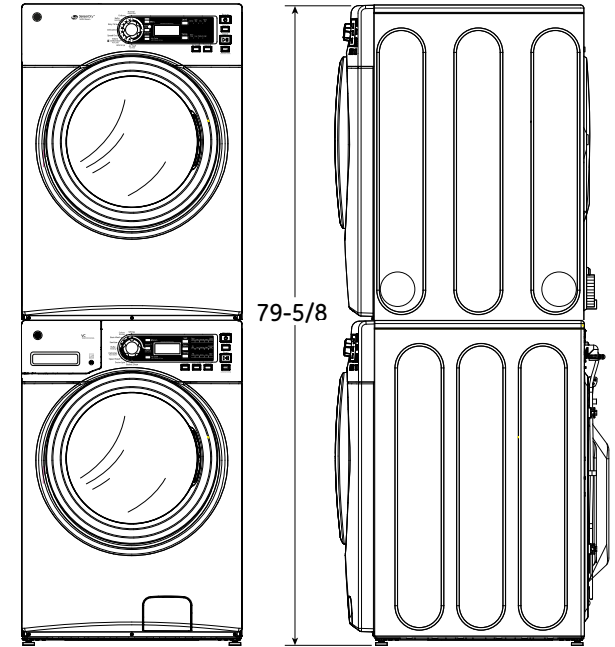
- The dryer **MUST** be exhausted to the outdoors.
- The installation must conform with the local codes, or in the absence of local codes, with the National Electric Code and National Fuel Gas Code, ANSI Z223.

### MINIMUM CLEARANCE OTHER THAN ALCOVE OR CLOSET INSTALLATIONS:

- Minimum clearances to combustible surfaces 0" both sides, 3" rear.

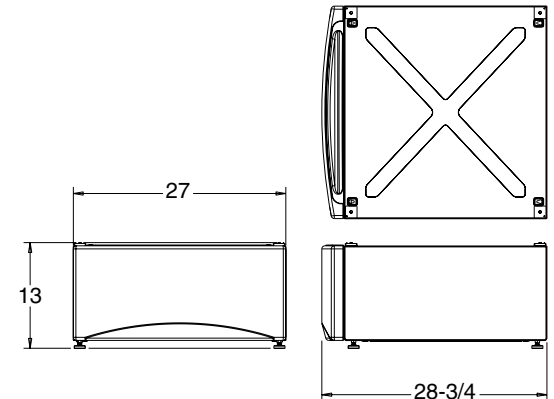
**FOR MORE INFORMATION ON VENTING KITS AND ACCESSORIES, PLEASE CALL 1-800-GE-CARES.**

## STACKED DIMENSIONS (IN INCHES)



## PEDESTAL DIMENSIONS (IN INCHES) SBSD13HWW - WHITE

This optional 13" pedestal raises the door opening and height of the washer or dryer. Feet on 13" pedestal allow it to adjust to 13-3/8" height.



**GE APPLIANCES**

For answers to your Monogram,® GE Profile™ or GE® appliance questions, visit our website at [geappliances.com](http://geappliances.com) or call GE Answer Center® service, 800.626.2000.



Specification Created 3/15

# GFWN1600J

*GE® ENERGY STAR® 4.3 DOE cu. ft. stainless steel capacity front load washer with Sanitize with Oxi*

## FEATURES AND BENEFITS

**Time saver** - An option that will reduce overall wash time on most cycles by at least 20% without sacrificing wash performance

**Extended tumble** - Freshly tumbles your garments periodically for up to 8 hours when unable to move clothing to the dryer right away

**Sanitize with Oxi** - Remove 99.9% of bacteria with a dedicated cycle that uses an Oxi additive to boost your detergent's cleaning power, while keeping fabrics looking and feeling their best

**Stain Removal Guide** - Clean 5 of the most common stains with preprogrammed settings that modify any cycle to help remove blood, tomato, wine, dirt and grass

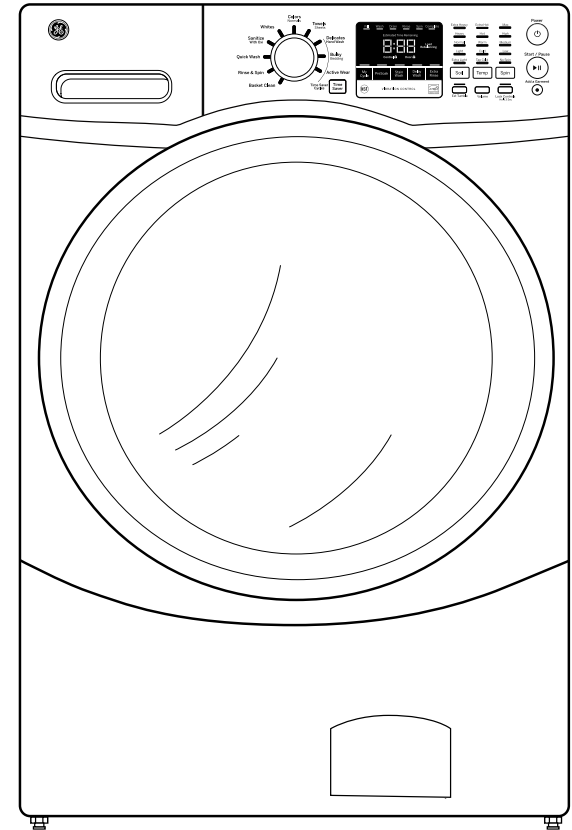
**1300-RPM spin speed** - Fast spin speeds remove water efficiently and minimize dry time

**Bulky Bedding cycle** - Washes larger items, such as comforters, blankets and jackets

**My Cycle** - Create your favorite cycles for your specific clothes-care needs

**Vibration Control** - Adjusts spin patterns for each floor type for a smoother wash without walking or shaking

Model GFWN1600JWW - White



**GE APPLIANCES**

*For answers to your Monogram,® GE Profile™ or GE® appliance questions, visit our website at [geappliances.com](http://geappliances.com) or call GE Answer Center® service, 800.626.2000.*



Specification Created 3/15