



Installation of Your Lynx Beverage Tower Base

Lynx Beverage Tower Base - Model L24TWB

Introduction:

Your Lynx Beverage Tower Base is an accessory that allows either the Lynx Single Tap (L24TWS) or Lynx Double Tap (L24TWD) to be used with the Lynx model L24BF outdoor refrigerator. An optional caster kit is available to set this kit up as a mobile beverage station when used with the L24BF. The Tower Base may also be installed onto a countertop.

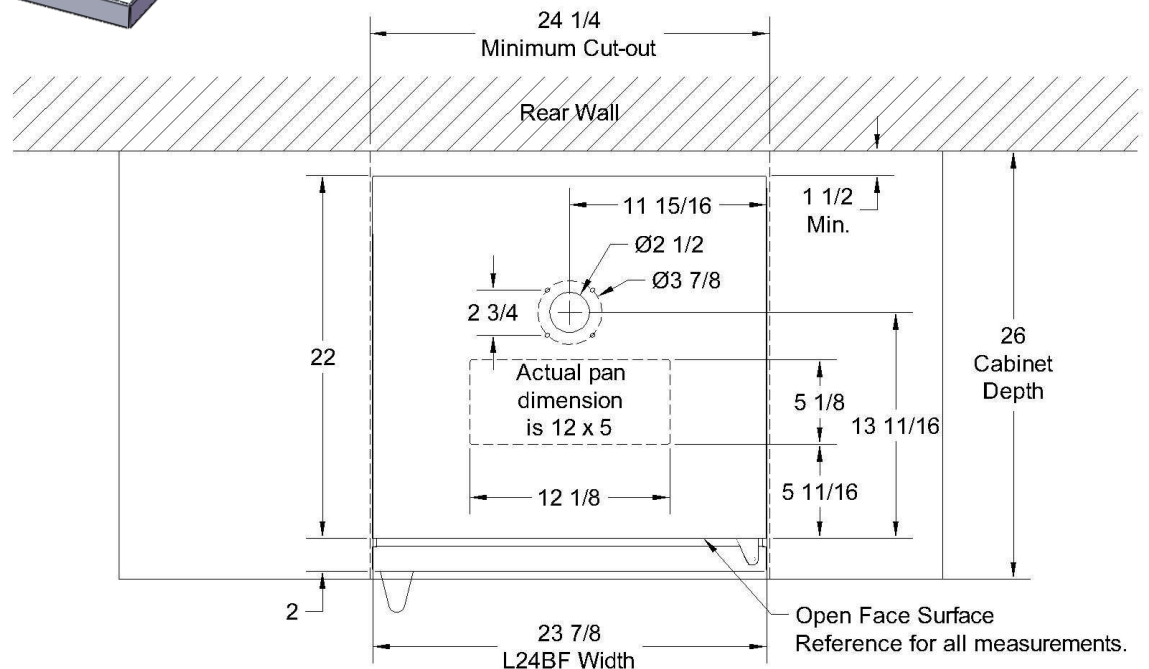
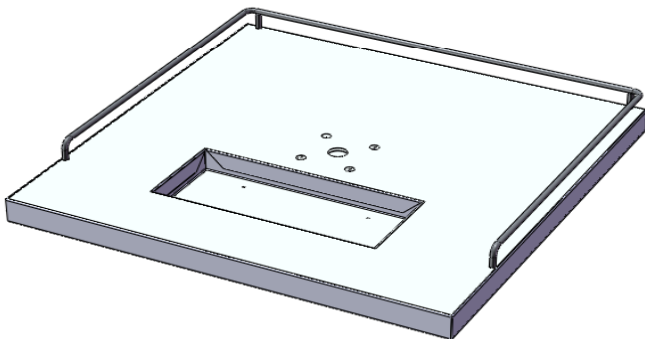
The Lynx model L24BF outdoor refrigerator has been designed specifically to work with the Beverage Kits. The volume is designed to accommodate two standard US quarter beer kegs (not provided), the CO2 tank and required connections.

WARNINGS:

CO2 cylinders contain high pressure gas which can be hazardous if not handled properly. Make sure you READ and UNDERSTAND the procedures included with the CO2 cylinders BEFORE installation.

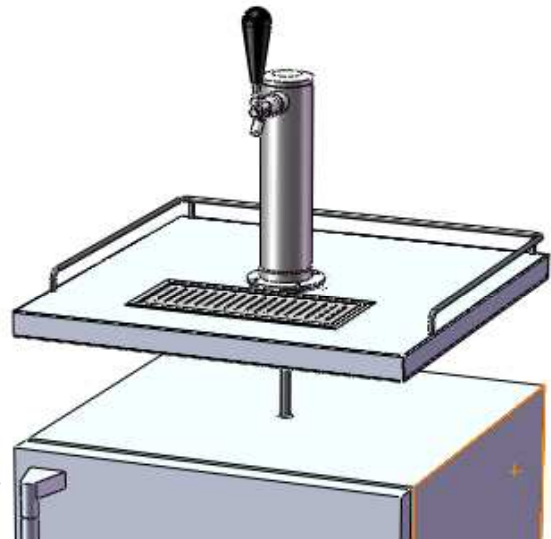
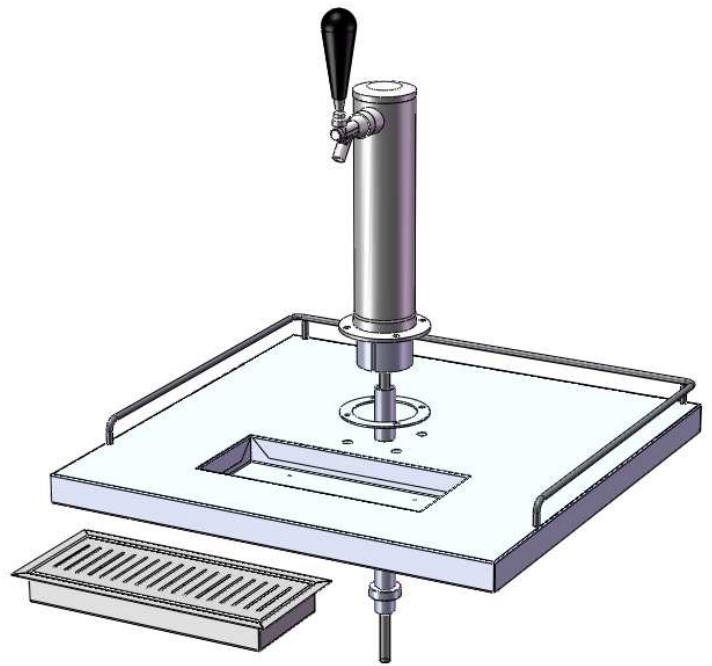


L24TWB shown with the L24TWS on the L24BF Refrigerator and L24CST Caster kit (Each sold Separately).



L24TWB Tower Base - Direct mounting to the L24BF Refrigerator.

- 1) Remove the black plastic plug from the top center of the refrigerator. Keep in a safe place for future use.
- 2) Place the large flat rubber gasket over the 2-1/2" hole in the tower base.
- 3) Prepare the tower assembly for installation. A 14 inch length of insulating foam has been provided to install inside the tower base. The foam must protrude through the tower base into the refrigerator to make a proper seal. *The installation of this foam is critical to the proper operation of the beverage tower kit. Failure to properly insulate the tower base could cause excessive foam and incorrect temperature control.* Insert the foam around the beverage line and insert it *completely* into the beverage tower.
- 4) Feed the beverage tube into the base assembly and through to the refrigerator.
- 5) Align the gasket and secure the tower to the base with the 4 screws provided.
The mounting is designed to allow exact alignment of the tower with the base. Tighten the screws completely.
- 6) Add the tap and handle with the wrench provided.
- 7) Insert the spill tray into the base assembly.



L24TWB Beverage Kit - Mounting your kit to an island.

The beverage kit is designed to be installed into an island.

- 1) Determine the location of the refrigerator in the island installation. It should be positioned nearly flush to the face surface of the island for easy access and alignment with the tower base. The refrigerator cavity should be 35" high x 24-1/2" wide x 26" deep.
- 2) Position the Tower Base with the face surface flush with the refrigerator door front and the tower base centered on the refrigerator.
- 3) Using the hole in the tower base as a guide, mark the center of a 2-1/2" diameter hole and drill through the countertop for the beverage line.
- 4) Remove the black plastic plug from the top center of the refrigerator. Keep in a safe place for future use.
- 5) Press a length of insulating sleeve into the hole around the pipe. The insulator should be pressed against the refrigerator top and extending about 1 inch above the surface of the countertop. If you need additional material purchase a length of insulating tubing similar to the material supplied. This material can be obtained from any hardware outlet in the plumbing department.
- 6) Align the tower base over the hole until it rests comfortably on the countertop. Adjust the leveling feet if necessary.
- 7) Proceed with steps 4 through 9 from the direct mounting instructions above to complete the installation.

