

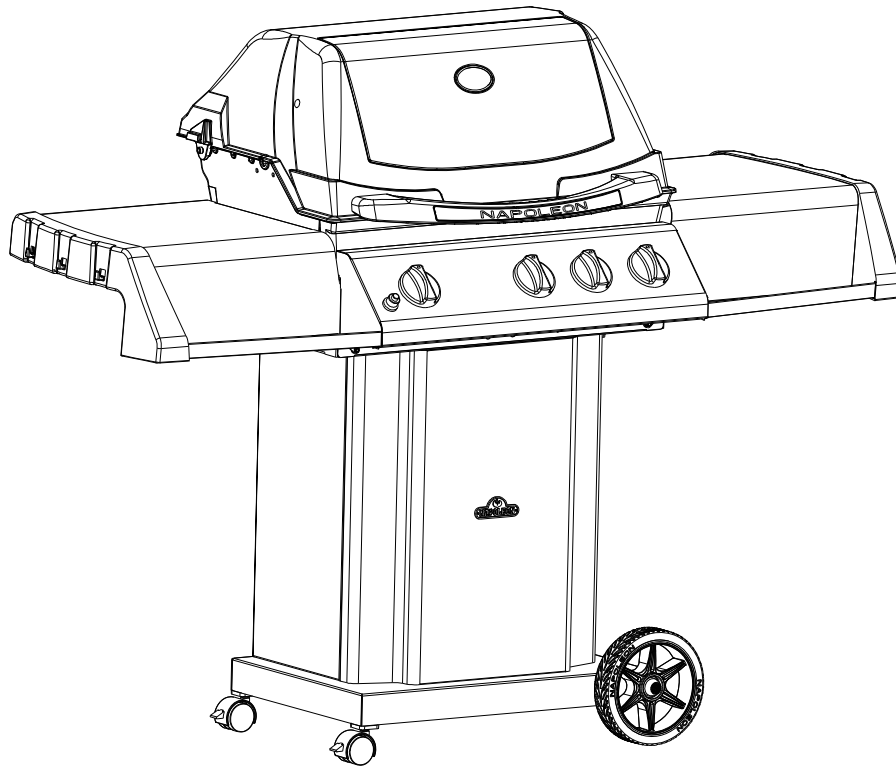
APPLY SERIAL NUMBER LABEL FROM CARTON  
APPOSEZ L'ÉTIQUETTE DU NUMÉRO DE SÉRIE DU CARTON



Serial No. / N° de série XXXXX000000  
MODEL NO. / N° DE MODÈLE



**GOURMET GRILLS**  
*Award Winning Products*



**ULTRA  CHEF**

**UP405 PEDESTAL  
U405 CART**

MANUFACTURED BY / MANUFACTURE PAR: **NAPOLEON APPLIANCE CORP.**,  
214 BAYVIEW DR., BARRIE, ONTARIO, CANADA L4N 4Y8 PHONE: (705)726-4278  
FAX: (705)725-2564 EMAIL: [care@nac.on.ca](mailto:care@nac.on.ca) WEB SITE: [www.napoleongrills.com](http://www.napoleongrills.com)

RETAIN THIS MANUAL FOR FUTURE REFERENCE.  
GARDER CE LIVRE POUR RÉFÉRENCES FUTURES



**Do not try to light this appliance without reading "LIGHTING" instructions section of this manual.**

 **WARNING**

**Do not store or use gasoline or other flammable liquids or vapors in the vicinity of this or any other appliance. An L.P. cylinder not connected for use must not be stored in the vicinity of this or any other appliance. If the information in these instructions is not followed exactly, a fire or explosion may result, causing property damage, personal injury or death.**

 **DANGER**

**IF YOU SMELL GAS:**

- **Shut off gas to the appliance.**
- **Extinguish any open flame.**
- **Open lid.**
- **If odor continues, keep away from the appliance and immediately call your gas supplier or your fire department**

 **CAUTION**

**During unpacking and assembly it is recommended that you wear work gloves and safety glasses for your protection. Although we make every effort to make the assembly process as problem free and safe as possible, it is characteristic of fabricated steel parts that the edges and corners may be sharp and can cause cuts if handled incorrectly.**

## **SAFE OPERATING PRACTICES**

- This gas grill must not be installed in or on recreational vehicles and/or boats.
- This gas grill must only be used outdoors in a well-ventilated space and must not be used inside a building, garage or any other enclosed area.
- Keep any electrical supply cord and fuel supply hose away from any heated surfaces.
- Inspect the fuel supply hose before each use. If there is evidence of excessive abrasion or wear or the hose is cut, it must be replaced, prior to using the gas grill, with a replacement hose assembly specified by the manufacturer.
- When the propane cylinder is not disconnected from the appliance, the gas grill and cylinder must be stored outdoors in a well ventilated space.
- Do not locate in windy settings. High winds adversely affect the cooking performance of the gas grill.
- Adults and especially children should be alerted to the hazards of high surface temperatures. Young children should be supervised near the gas grill.
- Under no circumstances should this gas grill be modified.
- Gas must be turned off at the propane cylinder or at the natural gas supply valve when the gas grill is not in use.
- When the gas grill is to be stored indoors, the connection between the propane cylinder and the gas grill must be disconnected and the cylinder removed and stored outdoors in a well ventilated space out of reach of children. Disconnected cylinders must not be stored in a building, garage or any other enclosed area. Natural gas units must be disconnected from the supply when being stored indoors.
- The top lid is to be closed during the gas grill preheat period
- Do not use the condiment tray to store lighters, matches or other flammable materials.
- This gas grill is designed for outdoor use only.



NAPOLEON gas grills are manufactured under the strict Standard of the world recognized ISO 9001-2000 Quality Assurance Certificate.

NAPOLEON products are designed with superior components and materials, and are assembled by trained craftsmen who take great pride in their work. The burner and valve assembly are leak tested and test-fired at a quality test station, and thoroughly inspected by a qualified technician before packaging and shipping to ensure that you, the customer, receive the quality product you expect from NAPOLEON.

### NAPOLEON GAS GRILL ULTRACHEF LIMITED LIFETIME WARRANTY

NAPOLEON warrants the following materials and workmanship in your new NAPOLEON gas grill against defects for as long as you own the gas grill. This covers: aluminum castings (excluding paint), SOLIDO® side shelves, stainless steel side shelves, LUXIDIO® side shelf endcaps, wheels, knobs, stainless steel burners, stainless steel lid inserts, and lid handles. Subject to the following conditions. During the first five years NAPOLEON will provide replacement parts at our option free of charge. From the sixth year to lifetime NAPOLEON will provide replacement parts at 50% of the current retail price.

Components such as stainless steel sear plates, cooking grids, igniters (excluding batteries), temperature gauges and brass valves are covered and NAPOLEON will provide parts free of charge during the first two years of the limited warranty.

Components such as regulators, casters, warming racks, hoses and connectors, fasteners and accessories are covered and NAPOLEON will provide parts free of charge during the first year of the limited warranty.

NAPOLEON shall not be liable for any transportation charges, labour costs or export duties.

### CONDITIONS AND LIMITATIONS

"NAPOLEON warrants its products against manufacturing defects to the original purchaser only, provided that the purchase was made through an authorized NAPOLEON dealer and is subject to the following conditions and limitations:"

This factory warranty is non-transferable and may not be extended what-so-ever by any of our representatives.

The gas grill must be installed by a licenced, authorized service technician or contractor. Installation must be done in accordance with the installation instructions included with the product and all local and national building and fire codes.

This limited warranty does not cover damages caused by misuse, lack of maintenance, grease fires, hostile environments, accident, alterations, abuse or neglect and parts installed from other manufacturers will nullify this warranty.

This limited warranty further does not cover any scratches, dents, painted finishes, corrosion or discolouring by heat, abrasive and chemical cleaners, nor chipping on porcelain enamel parts, nor any components used in the installation of the gas grill.

Should deterioration of parts occur to the degree of non-performance within the duration of the warranted coverage, a replacement part will be provided.

In the first year only, this warranty extends to the replacement of warranted parts which are defective in material or workmanship provided that the product has been operated in accordance with the operation instructions and under normal conditions.

After the first year, with respect to this President's Limited Lifetime Warranty NAPOLEON may, at its discretion, fully discharge all obligations with respect to this warranty by refunding to the original warranted purchaser the wholesale price of any warranted but defective part(s).

**NAPOLEON will not be responsible for the installation, labour or any other costs or expenses related to the re-installation of a warranted part, and such expenses are not covered by this warranty.**

Notwithstanding any provision contained in this President's Limited Lifetime Warranty NAPOLEON's responsibility under this warranty is defined as above and it shall not in any event extend to any incidental, consequential, or indirect damages.

This warranty defines the obligation and liability of NAPOLEON with respect to the NAPOLEON gas grill and any other warranties expressed or implied with respect to this product, its components or accessories are excluded.

NAPOLEON neither assumes, nor authorizes any third party to assume, on its behalf, any other liabilities with respect to the sale of this product. NAPOLEON will not be responsible for: over firing, blow outs caused by environmental conditions such as strong winds, or inadequate ventilation.

Any damages to the gas grill due to weather damage, hail, rough handling, damaging chemicals or cleaners will not be the responsibility of NAPOLEON.

The bill of sale or copy will be required together with a serial number and a model number when making any warranty claims from NAPOLEON.

NAPOLEON reserves the right to have its representative inspect any product or part prior to honouring any warranty claim.

NAPOLEON shall not be liable for any transportation charges, labour costs, or export duties.

# GENERAL INFORMATION

This gas barbecue is certified under Canadian and American national standards, CAN/CGA-1.6b-2002 and ANSI Z21.58b - 2002 respectively for outdoor gas grills and should be installed to conform with local codes. In absence of local codes, install to the current National Fuel Gas Code CAN/CGA-B149.1 or ANSI Z223.1/NFPA 54, natural gas and propane installation code. When installed, the unit must be electrically grounded in accordance with local codes or, in absence of local codes, with the current CSA C22.1 Canadian electrical code in Canada or the National Electrical Code, ANSI/NFPA 70 in the United States.

**Use only the pressure regulator and hose assembly provided with this barbecue. Replacement pressure regulators and hose assemblies must be specified by the manufacturer. Do not store propane cylinder or spare cylinder on the shelf beneath the barbecue.** Never fill the cylinder beyond 80 percent full. If the preceding information is not followed exactly, a fire causing death or serious injury may occur.

The regulator supplies a pressure of 11 inches water column to the gas grill and has a QCC1 type fitting. Cylinders to be used with this unit must be supplied with a QCC1 cylinder valve. A QCC1 cylinder has a positive seating connection, which will not allow gas flow until a positive seal has been achieved. It is also equipped with an excess flow device. **In order to attain full flow to the barbecue, the gas grill valves must be in the off position when the cylinder valve is turned on.**

**PROPANE CYLINDER SPECIFICATIONS:** A dented or rusty cylinder may be hazardous and should be checked by your propane supplier. Never use a cylinder with a damaged valve. Use only a propane supply cylinder constructed and marked in accordance with the specifications for LP-gas cylinders of the Canadian Transport Commission (CTC) or the US Department of Transportation (DOT). This appliance has been designed for use with a 20lb. (9.1 kg) size propane cylinder only (not supplied). The propane cylinder must be provided with a shut-off valve terminating in a propane cylinder valve type QCC1, and a safety relief device having direct communication with the vapour space of the cylinder. The cylinder supply system must be arranged for vapour withdrawal and the cylinder shall include a collar to protect the cylinder valve. The cylinder shall incorporate a listed OPD (overfill protection device).

**CALIFORNIA PROPOSITION 65:** The burning of gas fuel creates by-products, some of which are on the list as substances known by the State of California to cause cancer or reproductive harm. When cooking with gas, always ensure adequate ventilation to the unit, to minimize exposure to such substances.

# IMPORTANT DO'S AND DON'TS

## DO'S

- Read the entire instruction manual before operating the gas grill.
- Maintain proper clearance to combustibles (20" to rear of unit, 6" to sides). Additional clearance is recommended (24") near vinyl siding or large panes of glass.
- Leak test the unit before initial use, annually and whenever any gas components are replaced.
- Follow lighting instructions carefully when operating grill. Burner controls must be off when turning supply cylinder valve on.
- Ensure sear plates are positioned properly according to sear plate installation instructions.
- Clean grease tray and sear plates regularly to avoid build-up which may lead to grease fires.
- Remove warming rack before lighting rear burner. (The extreme heat will damage the warming rack.)

## DON'TS

- Do not attempt to use a tank which is not equipped with a QCC-1 type connection.
- Do not route hose behind front leg - hose must run around front side of leg.
- Do not use condiment tray to store lighters, matches or any other combustibles.
- Do not locate unit under unprotected combustible construction.
- Do not operate rear burner with main burners operating.
- Do not leave grill unattended when operating.
- Do not light burners with lid closed.
- Do not move grill when hot or operating.
- Do not allow cold water (rain, sprinkler, hose, etc.) to come in contact with heated unit. A large temperature differential can cause chipping in the porcelain.
- Do not use a pressure washer to clean any part of the unit.
- Do not operate the grill in a screened in porch, gazebo or any other enclosed area.

# GAS HOOK-UP INSTRUCTIONS



**CYLINDER CONNECTION:** Ensure that the gas regulator hose is kink free. Remove the cap or plug from the cylinder fuel valve. Insert the black QCC1 regulator nipple onto the QCC1 fuel valve. Hand tighten clockwise. *Do not use tools. Leak test all joints prior to using the barbecue.* A leak test must be performed annually, and each time a cylinder is hooked up, or if a part of the gas system is replaced.

**PROPANE CYLINDER INSTALLATION:** Set cylinder into the groove of the lower tank mounting bracket. Ensure that tank valve faces away from the barbecue. Lower the top tank mounting bracket onto the cylinder and tighten with wing nut. **IMPORTANT:** Ensure that the hose is routed around the front side of the cart leg to maintain proper clearance to the underside of the unit.

**NATURAL GAS HOOK-UP:** This natural gas grill is supplied with a 10ft supply hose (complete with a quick disconnect) designed for natural gas and certified for outdoor use. The gas grill is designed to operate at an inlet pressure of 7 inches water column. A regulator must be installed if the house pressure is greater than 7 inches water column. Piping and valves upstream of the quick disconnect are not supplied.

The quick disconnect must not be installed in an upward direction and a readily accessible manual shut-off valve must be installed upstream of, and as close to, the quick disconnect as is feasible. The flared end of the hose must be connected to the unit as illustrated in the *Natural Gas Hose Attachment* diagram. These connections must be made by a licensed gas installer. Leak test all joints prior to using the gas grill.

**IMPORTANT:** Ensure that the hose is routed around the front side of the cart leg to maintain proper clearance to the underside of the unit.

**NON-SIDE BURNER UNITS:** Connect the flared end of the hose to the fitting on the end of the manifold tube. Wrench tighten. (*Do not use thread sealer/pipe dope.*)

**SIDE BURNER UNITS:** Connect the 20" hose from the manifold, to the side burner as illustrated in the *Natural Gas Hose Attachment* diagram. Connect the supply hose to the flare connection which faces down from the side burner. Tighten all connections using two wrenches. (*Do not use thread sealer/pipe dope.*)

## WARNING

- The installation must be performed by a licensed gas fitter, and all connections must be leak tested before operating the grill.
- Do not route hose underneath drip pan.
- Do not route hose between space in bottom shelf and back panel.
- Do not route hose over top of rear panel.
- Ensure all hose connections are tightened using two wrenches. Do not use teflon tape or pipe dope on any hose connection.
- Ensure the hose does not contact any high temperature surfaces, or it may melt and leak causing a fire.
- Leak test all the connections using a soap and water solution, as per the leak testing instructions found in this manual.

# LEAK TESTING INSTRUCTIONS



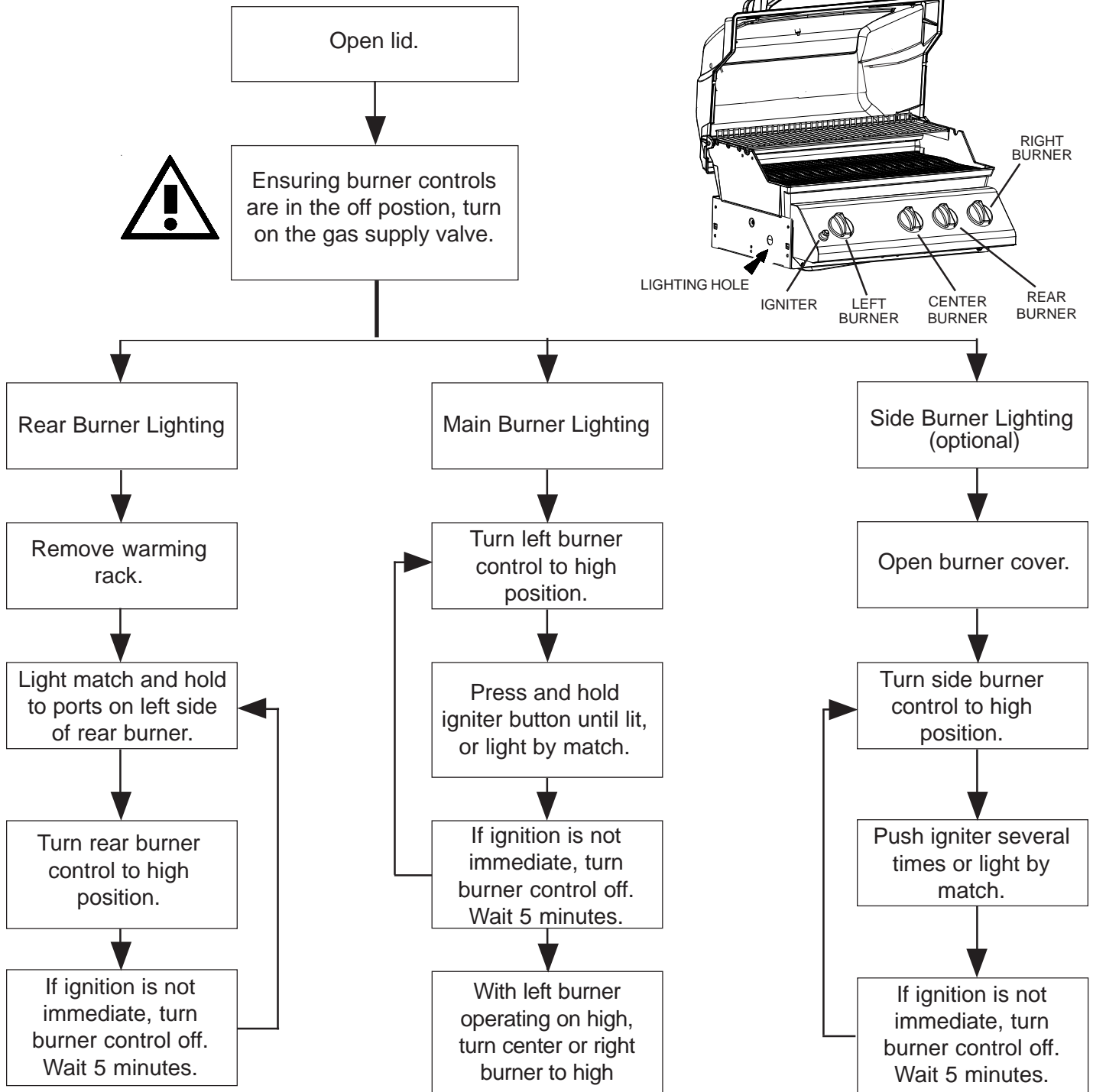
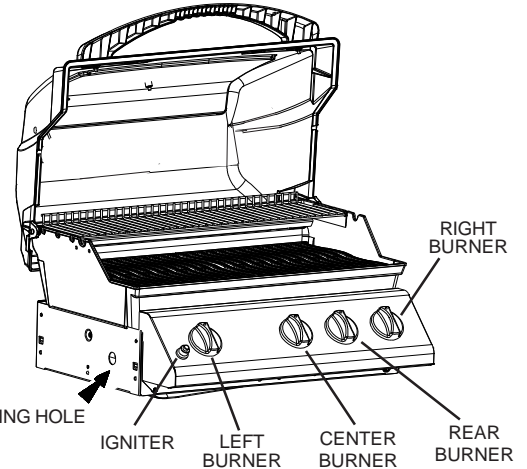
## DANGER

**Do not use an open flame to check for gas leaks. Be sure there are no sparks or open flames in the area while you check for leaks. Sparks or open flames will result in a fire or explosion, damage to property, serious bodily injury or death.**

**LEAK TESTING:** This must be done before initial use, annually and whenever any gas components are replaced or serviced. Do not smoke while performing this test, and remove all sources of ignition. See *Leak Testing Diagram* for areas to check.

1. Turn all burner controls to off. Turn supply valve on.
2. Brush a half and half solution of liquid soap and water onto all joints and connections of the regulator, hose, manifolds and valves.
3. Bubbles will indicate a gas leak. Either tighten the loose joint or have the part replaced with one recommended by the customer care department.
4. If the leak cannot be stopped, shut off the gas supply, disconnect it and have the barbecue inspected by your gas supplier or dealer. Do not use the appliance until the leak has been corrected.
5. Turn off gas supply.

# 405 LIGHTING INSTRUCTIONS



The propane cylinder is equipped with an excess flow device. Unless all burners are turned off prior to turning the cylinder on, only small flames will be achievable.



Do not use rear burner while operating main burner.

# COOKING INSTRUCTIONS

When lit for the first time, the gas grill will emit a slight odour. This is a normal temporary condition caused by the "burn-in" of internal paints and lubricants used in the manufacturing process and will not occur again. Simply run the main burners on high for approximately ½ hour.

**MAIN BURNER USE:** When searing foods, preheating is recommended by operating all main burners in the high position with the lid closed for approximately 10 minutes. Food cooked for a short period of time (fish, vegetables) may be grilled with the lid open. Cooking with the lid closed will ensure higher, more even temperatures that will reduce cooking time and cook meat more evenly. Food that has a cooking time longer than 30 minutes, such as roasts, may be cooked indirectly (with the burner lit opposite to the food placement). When cooking very lean meats, such as chicken breasts, or lean pork, the grids can be oiled before pre-heating to reduce sticking. Cooking meat with a high degree of fat content, may create flare-ups. Either trim some fat or reduce temperatures to prevent this. Should a flare-up occur, move food away from flames, reduce heat. Leave the lid open.

**REAR BURNER USE:** *Remove the warming rack prior to use.* Cooking grids should also be removed if they interfere with the rotisserie. This gas grill is equipped with a 14,000 BTU rear burner. The rear burner is designed to be used in conjunction with the rotisserie kit available from your dealer. See the rotisserie kit assembly instructions. To use the counterbalance, remove the rotisserie motor from the gas grill. Place the spit with meat being cooked across the hangers inside the grill. The meat will naturally hang with the heavy side down. Tighten the counterbalance arm and weight, so that the arm is facing up. Slide the counterweight in or out to balance the load, and tighten in place. Re-install the motor and begin cooking. Place a dish underneath to collect drippings for basting and naturally delicious gravy. Basting liquid may be added as required. To seal in juices, first operate rear burner on high until brown, then reduce the heat to thoroughly cook foods. Keep the lid closed for best results. Your roasts and fowl will brown perfectly on the outside and stay moist and tender on the inside. For example, a 3 pound chicken on the rotisserie will be done in approximately 1½ hours on medium to high.

**SIDE BURNER USE:** The side burner can be used like any range top burner, for gravies, soups etc. The gas grill should be located so that the side burner is protected from the wind, because the wind will adversely affect its performance.

# CLEANING INSTRUCTIONS

**Ensure that the burners are turned off prior to cleaning. Avoid unprotected contact with hot surfaces. Clean grill in an area where cleaning solutions will not harm decks, lawns or patios. Do not use oven cleaner to clean any part of this gas grill. Do not use a self cleaning oven to clean cooking grids or any other parts of the gas grill. Barbecue sauce and salt can be corrosive and will cause rapid deterioration of the gas grill components unless cleaned regularly.**

Note: Stainless steel tends to oxidize or stain in the presence of chlorides and sulfides, particularly in coastal areas and other harsh environments, such as the warm, high humidity atmosphere around pools and hot tubs. These stains may be perceived as rust, but can be easily removed and prevented. To ensure stain prevention, wash all stainless steel surfaces every 3-4 weeks with fresh water and stainless steel cleaner or as often as required.

**GRIDS AND WARMING RACK** - The grids and warming rack are best cleaned during the pre-heat period with a soft brass wire brush. Steel wool can be used for stubborn stains. Stainless grids (optional) will discolour permanently from normal usage, due to the high temperature of the cooking surface.

**CLEANING INSIDE THE GAS GRILL** - Remove cooking grids. Use a soft brass wire brush to clean loose debris from casting sides and insides of the lid. Scrape sear plates with a putty knife or scraper, and use a wire brush to remove ash. Remove sear plates and brush debris off of burners with a brass wire brush. Brush all debris from inside the gas grill into the drip pan. The pan should be scraped out with a putty knife or scraper, and all the debris should be scraped into the disposable grease tray. This tray should be replaced every two to four weeks, depending on gas grill usage. For supplies, see your NAPOLEON Gas Grill dealer. Ensure that the sear plates are placed properly when they are reinstalled (Check assembly instructions for proper orientation).

**CLEANING THE OUTSIDE OF THE GAS GRILL** - Do not use abrasive cleaners to clean any painted, or stainless steel parts. Exterior grill surfaces should be cleaned while warm to the touch, with warm soapy water. To clean stainless surfaces, use a stainless steel cleaner or a non-abrasive cleaner. Always wipe in the direction of the grain. Do not use steel wool, as it will scratch the finish. Stainless steel parts will discolour when heated, usually to a golden or brown colour. This discolouration is normal and will not affect the performance of the grill.

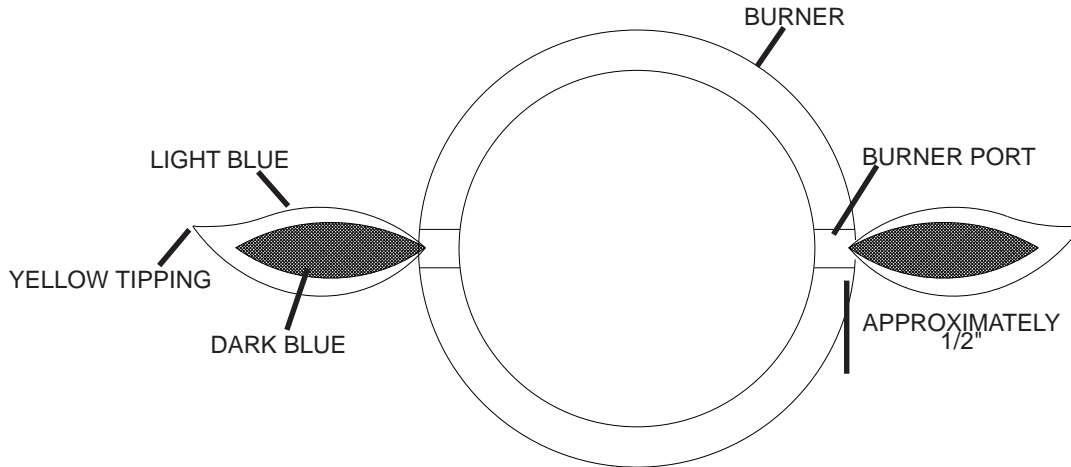
**SOLIDO SIDE SHELVES** - Clean side shelves with warm soapy water, and a plastic bristle brush.

# MAINTENANCE INSTRUCTIONS

**It is recommended that this gas grill be thoroughly inspected and serviced annually by a qualified service person.**

**Turn off the gas at the source and disconnect unit before servicing. Maintenance should only be done when the grill is cool, to avoid the possibility of burns. A leak test must be performed annually, and whenever any component of the gas train is replaced.**

**COMBUSTION AIR ADJUSTMENT - (This must be done by a qualified gas installer.)** The air shutter is factory set and should not have to be adjusted under normal conditions. However, some extreme field conditions may exist that require adjustment. When the air shutter is adjusted correctly, the flames will be dark blue with light blue tips, and occasional yellow tips.



If the burner is getting too little air, the flames will be lazy yellow, and possibly produce soot. If the burner is getting too much air, the flames will be lifting erratically from the burner and may cause difficulties when lighting.

1. To adjust the air shutter, remove cooking grids and sear plates and leave lid open. The back cover must be removed for back burner air shutter adjustment.
2. Loosen air-shutter lock screw and open or close air shutter as required. The normal settings are:
 

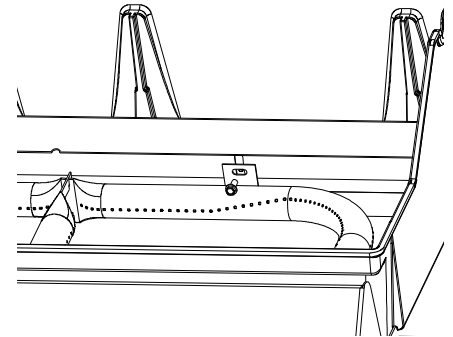
Main Burner	Propane	3/16"	Back Burner	Propane	3/8"
	Natural	1/8"		Natural	1/8"

3. Light burners and set to high. Visually inspect burner flames. When shutters are set, turn burners off, tighten locking screw, and replace removed parts.

**⚠ WARNING**

**HOSE - Check for abrasion, melting, cuts and cracks. If any of these conditions exist, do not use gas grill. Have part replaced by your gas grill dealer, or qualified gas installer.**

**BURNER** - The burner is made from heavy wall 304 stainless steel, but due to the extreme heat and corrosive environment, surface corrosion will occur. Use a brass wire brush to remove surface corrosion. Clean any blocked ports using an opened paper clip. Do not enlarge the burner ports. Spiders and insects are attracted to the smell of propane and natural gas. The burner is equipped with an insect screen on the air shutter, which will reduce the likelihood of insects building nests inside the burner, but does not entirely eliminate the problem. The nest or web will cause the burner to burn with a soft yellow or orange flame or cause a fire (flashback) at the air shutter underneath the control panel. To clean the inside of the burner, it must be removed from the gas grill. Remove the 2 screws located above the burner to the left and right of the centre of the burner. Lift back of burner upwards to remove. Use a flexible venturi tube cleaning brush to clean out the inside of the burner. Shake any loose debris out of the burner, through the gas inlet. Ensure that the insect screen is clean, tight, and free of any lint or other debris. Check also that the valve orifices are clean. Do not enlarge the orifices. Re-install the burner. Check that the valve enters the burner when installing. Replace burner cover and mounting screws to complete installation.



**ALUMINUM CASTINGS** - Clean castings periodically with warm soapy water. Aluminum will not rust, but due to high temperatures and weathering, oxidation can occur on aluminum surfaces. This will appear as white spots on the castings. To refinish the castings, clean them and sand lightly with fine sandpaper. Wipe surface to remove any residue, and paint with high temperature barbecue paint. Protect surrounding areas from over-spray. Follow curing directions found on the can.

## TROUBLESHOOTING

Problem	Possible Causes	Solution
Low heat / Low flame when valve turned to high.	For propane - improper lighting procedure.  For natural gas - undersized supply line.  For both gases - improper preheating.	Ensure lighting procedure is followed carefully. All gas grill valves must be in the off position when the tank valve is turned on. Turn tank on slowly to allow pressure to equalize. See lighting instructions.  Pipe must be sized according to installation code.  Pre-heat grill with main burners on high for 10 to 15 minutes.



Excessive flare-ups/uneven heat.	Sear plates installed incorrectly.  Improper pre-heating.  Excessive grease and ash build up on sear plates and in drip pan.	Ensure sear plates are installed correctly. The arches without slots should be located directly above the left and right burners. When the sear plates are installed correctly, six of the eight slots should be in valleys.  Pre-heat grill with main burners on high for 10 to 15 minutes.  Clean sear plates and drip pan regularly. Do not line base with aluminum foil. Refer to cleaning instructions.
Burners burn with yellow flame, accompanied by the smell of gas.	Possible spider web or other debris, or improper air shutter adjustment.	Thoroughly clean burner by removing. See general maintenance instructions. Open air shutter slightly according to combustion air adjustment instructions. (This must be done by a qualified gas installer.)
Flames lift away from burner, accompanied by the smell of gas, and possibly difficulties in lighting.	Improper air shutter adjustment.	Close air shutter slightly according to combustion air adjustment instructions. (This must be done by a qualified gas installer.)
Burner will not light with the igniter, but will light with a match.	Dead battery / or installed incorrectly.  Loose electrode wire.  Wrong replacement igniter.  Improper gap at electrode tip.  Lifting flames on burner.	Replace with heavy duty 'AAA' battery. Install with positive terminal up.  Check that electrode wire is firmly pushed onto the terminal on the back of the igniter.  One spark systems must use a one spark igniter.  Ensure that the collector box is tight, and the gap between the electrode end and the collector box is between 1/8 - 3/16". The gap can be adjusted by bending the box in or out.  Close air shutter slightly - see previous problem
Humming regulator.	Normal occurrence on hot days.	This is not a defect. It is caused by internal vibrations in the regulator, and does not affect the performance or safety of the gas grill.
Burners will not crosslight each other.	Plugged ports along back of burner.	Clean burner ports. See burner maintenance instructions.
"Paint" appears to be peeling inside lid or hood.	Grease build up on inside surfaces.	This is not a defect. The peeling is caused by hardened grease, which dries into paint-like shards, that will flake off. Regular cleaning will prevent this. See cleaning instructions.

## ORDERING REPLACEMENT PARTS / RETURNS

Before contacting the customer care department, check the NAC web site for more extensive cleaning, maintenance, troubleshooting and part replacement instructions at [www.napoleongrills.com](http://www.napoleongrills.com). Contact the factory directly for replacement parts and warranty claims. The customer care department is available between 9 AM and 5 PM (Eastern standard time) at 1-866-820-8686 or fax at 1-705-727-4282. In order to process a claim, we must be provided with the following information:

1. Model and serial number of the unit.
2. Part number and description.
3. A concise description of the problem ('broken' is not sufficient).
4. Proof of purchase (photocopy of the invoice).

In some cases the customer care representative may request to have the parts returned to the factory for inspection, before providing replacement parts. The parts must be shipped prepaid to the attention of the customer service department with the following information:

1. Model and serial number of the unit.
2. A concise description of the problem ('broken' is not sufficient).
3. Proof of purchase (photocopy of the invoice).
4. SPC number - provided by the customer care representative.

Before contacting customer care, please note that the following items are not covered by the warranty:

- costs for transportation, brokerage or export duties
- labor costs for removal and re-installation
- costs for service calls to diagnose problems
- discoloration of stainless steel parts
- part failure due to lack of cleaning and maintenance, or use of improper cleaners (ovencleaner).

**Ne tentez pas d'allumer cet appareil avant d'avoir lu la section "INSTRUCTIONS D'ALLUMAGE" de ce manuel.**

 **AVERTISSEMENT**

**Pour votre sécurité n'entrez pas et n'utilisez pas d'essence ou autres liquides et vapeurs inflammables à proximité de cet ou tout autre appareil. Une bonbonne de propane de propane non branchée ne devrait pas être entreposée à proximité de cet ou de tout autre appareil. Si ces instructions ne sont pas suivies à la lettre, un feu ou une explosion pourraient s'ensuivre, causant des dommages à la propriété, des blessures corporelles ou des pertes de vie.**

 **DANGER**

**QUE FAIRE SI VOUS DÉTECTEZ UNE ODEUR DE GAZ:**

- **Fermez l'alimentation principale en gaz.**
- **Éteignez toute flamme nue.**
- **Ouvrez le couvercle.**
- **Si l'odeur persiste, appelez immédiatement votre fournisseur de gaz ou le service des incendies.**

 **ATTENTION**

Lors du déballage et de l'assemblage, nous vous conseillons de porter des gants de travail et des lunettes de sécurité pour votre protection. Malgré tous nos efforts pour assurer que l'assemblage soit aussi sécuritaire et sans problème que possible, il se peut que les bords et les coins des pièces usinées en acier soient coupants et qu'ils causent des coupures si les pièces ne sont pas manipulées correctement.

**CONSIGNES DE SÉCURITÉ**

- \* Ce gril à gaz ne doit pas être installé dans ou sur des véhicules récréatifs et/ou des bateaux.
- \* Ce gril doit être utilisé uniquement à l'extérieur, dans un endroit bien aéré et ne doit jamais être utilisé à l'intérieur d'un bâtiment, d'un garage ou de tout autre endroit fermé.
- \* Gardez les fils électriques et les tuyaux d'alimentation en gaz éloignés des surfaces chauffantes.
- \* Inspectez le tuyau d'alimentation en gaz avant chaque utilisation. S'il montre des signes de fendillement excessif, d'usure ou s'il est coupé, il doit être remplacé par un ensemble de rechange spécifié par le fabricant avant d'utiliser le gril.
- \* Lorsque la bonbonne de propane n'est pas débranchée du gril, la bonbonne et le gril doivent être entreposés à l'extérieur, dans un endroit bien aéré.
- \* N'installez pas le gril dans un endroit venteux. Les vents forts nuiront à la performance de cuisson de votre gril.
- \* Lorsque le gril n'est pas utilisé, l'alimentation en gaz doit être fermée à la bonbonne de propane ou à la soupape d'alimentation du gaz naturel.
- \* Les adultes et particulièrement les enfants doivent être sensibilisés aux risques que représentent les surfaces exposées à des températures élevées. Surveillez les jeunes enfants lorsqu'ils sont près du gril.
- \* Ce gril ne devra être modifié en aucun cas.
- \* Lorsque le gril doit être entreposé à l'intérieur, la bonbonne de propane doit être débranchée du gril et entreposée à l'extérieur dans un endroit bien aéré, hors de la portée des enfants. Les bonbonnes de propane ne doivent en aucun temps être entreposées à l'intérieur d'un bâtiment, d'un garage ou de tout autre endroit fermé. Les appareils au gaz naturel doivent être débranchés de leur source d'alimentation en gaz lorsqu'ils sont entreposés à l'intérieur.
- \* Le couvercle doit être fermé lors de la période de préchauffage du gril.
- \* N'utilisez pas le plateau à condiments pour entreposer des briquets, des allumettes ou autres matériaux inflammables.
- \* Ce gril à gaz est conçu pour un usage extérieur seulement.



Les grils à gaz NAPOLÉON sont fabriqués conformément aux normes strictes du Certificat d'assurance de qualité mondialement reconnues ISO 9001-2000.

Les produits NAPOLÉON sont conçus avec des composantes et des matériaux de qualité supérieure, assemblés par des artisans qualifiés qui sont fiers de leur travail. Le brûleur et le montage de la soupape subissent un test de détection de fuites et d'allumage à une station de test de qualité et sont soigneusement inspectés par un technicien qualifié avant d'être emballés et expédiés pour garantir que vous, le client, recevez le produit de qualité dont vous vous attendez de NAPOLÉON.

## GARANTIE À VIE LIMITÉE DES GRILS À GAZ ULTRA CHEF DE NAPOLÉON

NAPOLÉON garantit votre nouveau gril à gaz contre tous défauts concernant les matériaux et le procédé de fabrication tant et aussi longtemps que vous êtes propriétaire du gril. Cette garantie couvre : la fonte d'aluminium (excluant les finis peints), les tablettes latérales SOLIDO<sup>®</sup>, les tablette latérale en acier inoxydable, les embout en LUXIDIO<sup>®</sup> de les tablettes latérale, les roues, les boutons de contrôle, les brûleurs en acier inoxydable, les poignées de couvercle, et l'appliqué pour couvercle en acier inoxydable sous réserve des conditions suivantes. Pendant les cinq premières années, NAPOLÉON fournira gratuitement les pièces de rechange selon son choix. De la sixième année à vie, NAPOLÉON fournira les pièces de rechange à 50 % du prix de détail courant.

Les composants tels que les plaques de brûleur en acier inoxydable, les grilles de cuisson, l'allumeur (excluant les piles), la jauge de température et les soupapes en laiton sont couverts et NAPOLÉON fournira les pièces gratuitement durant les deux premières années de la garantie limitée.

Les composants tels que les régulateurs, les roulettes, les grilles de réchaud, les tuyaux et les raccords, les pièces d'assemblage et les accessoires sont couverts et NAPOLÉON fournira les pièces gratuitement durant la première année de la garantie limitée.

NAPOLÉON n'assumera aucuns frais d'expédition, de main-d'oeuvre ou de taxes d'exportation.

## CONDITIONS ET LIMITATIONS

"NAPOLÉON garantit ses produits contre tous défauts de fabrication à l'acheteur d'origine seulement à condition que l'achat ait été fait par l'entremise d'un représentant autorisé NAPOLÉON et sous réserve des conditions et limitations suivantes."

Cette garantie d'usine n'est pas transférable et ne peut être prolongée par aucun de nos représentants qu'elle qu'en soit la raison.

Le gril à gaz doit être installé par un installateur ou entrepreneur qualifié. L'installation doit être faite conformément aux instructions d'installation incluses avec le produit et à tous les codes d'incendie et de construction locaux et nationaux.

Cette garantie limitée ne couvre pas les dommages causés par un usage impropre, un manque d'entretien, feux de graisse, un environnement inadéquat, un accident, des modifications, de l'abus ou de la négligence. L'installation de pièces d'autres fabricants annulera cette garantie.

Cette garantie limitée ne couvre pas non plus les éraflures, les bosselures, la corrosion ou la décoloration causés par la chaleur ou les produits d'entretien chimiques et abrasifs ni l'écaillage des pièces de porcelaine émaillée ni les composantes utilisées dans l'installation du gril à gaz.

Dans le cas d'une détérioration des composantes causant un mauvais fonctionnement pendant la période couverte par la garantie, un remplacement part des composantes sera effectué.

Au cours de la première année seulement, cette garantie s'applique à la réparation ou au remplacement des pièces garanties dont les matériaux ou la fabrication sont défectueux à la condition que le produit ait été utilisé conformément aux instructions d'opération et dans des conditions normales.

Après la première année, selon cette Garantie à vie limitée du Président NAPOLÉON peut, à sa discrétion, se libérer complètement de toutes ses obligations en ce qui concerne cette garantie en remboursant à l'acheteur d'origine le prix de gros de toutes pièces garanties qui sont défectueuses.

**NAPOLÉON ne sera pas responsable de l'installation, main-d'oeuvre ou autres coûts ou dépenses relatives à la réinstallation d'une pièce garantie car de telles dépenses ne sont pas couvertes par cette garantie.**

Nonobstant toutes les dispositions contenues dans cette Garantie à vie limitée du Président, la responsabilité de NAPOLÉON sous cette garantie est définie comme ci-dessus et elle ne s'appliquera à aucun dommage accidentel, consécutif ou indirect.

Cette garantie définit les obligations et responsabilités de NAPOLÉON en ce qui concerne le gril à gaz NAPOLÉON. Tout autre garantie énoncée ou implicite en ce qui concerne ce produit, ses composantes ou accessoires est exclue.

NAPOLÉON n'endosse ni n'autorise aucun tiers à assumer en son nom, tout autre responsabilité concernant la vente de ce produit. NAPOLÉON ne se tiendra pas responsable d'une surchauffe ou d'explosions causées par des conditions environnementales tel que des vents forts ou une ventilation inappropriée.

Tous dommages causés au gril par la température, un usage abusif ou l'utilisation de produits d'entretien chimiques ou abrasifs ne seront pas la responsabilité de NAPOLÉON.

La facture ou une copie sera requise ainsi que le numéro de série et de modèle du gril lors d'une réclamation auprès de NAPOLÉON.

NAPOLÉON se réserve le droit de demander à son représentant d'inspecter tous produits ou pièces avant d'approuver les réclamations.

NAPOLÉON n'assumera aucun frais de transport, de main-d'oeuvre ou taxes d'exportation.

# INFORMATION GÉNÉRALE

CE GRIL À GAZ EST CERTIFIÉ SELON LES NORMES NATIONALES CANADIENNES ET AMÉRICAINES, CAN/CGA-1.6b-2002 ET ANSI Z21.58b-2002 RESPECTIVEMENT POUR DES GRILS À GAZ POUR L'EXTÉRIEUR ET SON INSTALLATION DEVRAIT ÊTRE CONFORME AUX CODES LOCAUX. En l'absence de codes locaux, installez selon les normes courantes CAN1-B149.2 du code d'installation de Propane au Canada ou selon les normes ANSI Z223.1 du "National Fuel Gas" aux États-Unis.

Si un moteur de rôtissoire est utilisé, il doit être électriquement mis à la terre conformément aux codes locaux ou, en l'absence de tels codes, conformément à la version courante du code CSA C22.1 Code électrique canadien ou au code ANSI/NFPA 70 aux États-Unis.

**N'UTILISEZ QUE L'ENSEMBLE DE RÉGULATEUR DE PRESSION ET DE TUYAU FOURNI AVEC CE GRIL. LES ENSEMBLES DE RÉGULATEUR DE PRESSION ET TUYAUX DE RECHANGE DOIVENT ÊTRE RECOMMANDÉS PAR LE FABRICANT. N'ENTREPOSEZ PAS DE BONBONNE DE PROPANE OU DE BONBONNE DE RECHANGE SUR L'ÉTAGÈRE SOUS LE GRIL.**

Le régulateur fourni une pression de 11 pouces de colonne d'eau au gril. Le gril possède un raccord de type QCC1. Les bonbonnes utilisées avec ce gril doivent être munies d'une soupape QCC1. Une soupape QCC1 possède un raccord qui empêche l'écoulement du gaz jusqu'à ce qu'un joint étanche soit obtenu. Elle est aussi équipée d'un dispositif de contrôle d'écoulement du gaz. Afin d'obtenir un débit maximal de gaz, les soupapes du gril doivent être fermées lorsque vous ouvrez la soupape de la bonbonne.

**SPÉCIFICATIONS POUR LA BONBONNE DE PROPANE:** Une bonbonne bosselée ou rouillée peut être dangereuse et devrait être vérifiée par votre fournisseur de propane. N'utilisez jamais une bonbonne avec une soupape endommagée. Utilisez uniquement une bonbonne de propane fabriquée et étiquetée selon les normes pour les bonbonnes de propane de la Commission canadienne des Transports ou le "US Department of Transportation (DOT)". Cet appareil a été conçu pour être utilisé avec une bonbonne de propane de 20 livres (9.1kg) uniquement (non fournie).

La bonbonne de propane doit être équipée d'une soupape d'arrêt se raccordant à une soupape de type QCC1. Une valve de sécurité doit être branchée directement sur la bonbonne. Le système d'alimentation de la bonbonne doit être installé de manière à permettre l'évacuation des vapeurs et doit avoir un collet pour protéger la soupape de la bonbonne. La bonbonne doit être munie d'un dispositif de détection de trop-plein.

**PROPOSITION 65 DE LA CALIFORNIE :** La combustion de gaz crée des sous-produits, parmi lesquels certains se retrouvent sur la liste de substances connues par l'état de Californie comme causant le cancer ou autres dangers pour la reproduction. Lorsque vous cuisinez avec le gaz, assurez-vous de toujours avoir une ventilation adéquate afin de minimiser l'exposition à ces substances.

# QUOI FAIRE ET NE PAS FAIRE

## À FAIRE

- Lire le manuel d'instructions au complet avant d'utiliser le gril.
- Respecter les dégagements recommandés des matériaux inflammables (20" à l'arrière du gril et 6" sur les côtés). Une distance plus grande est recommandée (24") à proximité d'un recouvrement de vinyle ou d'une grande surface vitrée.
- Faire un test de fuites avant la première utilisation, annuellement et à chaque fois qu'une composante de gaz est changée.
- Suivre les instructions d'allumage à la lettre lorsque vous utilisez votre gril. Les soupapes des brûleurs doivent être fermées lorsque vous ouvrez la soupape d'alimentation en gaz.
- S'assurer que les plaques du brûleur sont bien en place selon le livre d'instructions.
- Nettoyer le tiroir d'égouttement et les plaques du brûleur régulièrement pour éviter les feux de graisse.
- Enlever la grille-réchaud avant d'allumer le brûleur arrière. (La chaleur intense pourrait l'endommager).

## À NE PAS FAIRE

- Ne pas tenter d'utiliser une bonbonne qui n'est pas équipée d'un raccord de type QCC1.
- Ne faites pas passer le tuyau d'alimentation en gaz derrière la patte avant. Le tuyau doit passer devant la patte avant afin de respecter le dégagement recommandé entre le tuyau et le fond de l'appareil.
- Ne pas utiliser le plateau à condiments pour entreposer des briquets, des allumettes ou tout autre matériau inflammable.
- Ne pas placer le gril sous une construction inflammable non-protégée.
- Ne pas utiliser le brûleur arrière en même temps que le brûleur principal.
- Ne pas laisser le gril sans surveillance lorsqu'il est allumé.
- Ne pas allumer le gril avec le couvercle fermé.
- Ne pas déplacer le gril pendant qu'il fonctionne ou qu'il est chaud.
- Ne pas permettre à l'eau froide (pluie, arrosoir, boyeau d'arrosage etc) de venir en contact avec le gril chaud. Une grande différence de température pourrait causer l'éclatement de la porcelaine.
- N'utilisez pas un pulvérisateur pour nettoyer l'appareil.
- Ne faites pas fonctionner le gril dans une véranda avec paramoustique, un gazebo ou tout autre endroit fermé.

# INSTRUCTIONS DE BRANCHEMENT DU GAZ



**RACCORD DE LA BONBONNE:** Assurez-vous que le tuyau du régulateur de gaz est sans anomalie. Enlevez les bouchons sur la soupape de gaz à la bonbonne. Connectez le régulateur QCC1 sur la soupape de gaz QCC1. Serrez à la main dans le sens des aiguilles d'une montre. N'utilisez pas d'outil. Faites un test de fuites sur tous les raccords avant d'utiliser le gril. Un test de fuites doit être fait annuellement et à chaque fois qu'une bonbonne est remplacée ou qu'une pièce du système de gaz est remplacée.

**INSTALLATION DE LA BONBONNE DE PROPANE:** Placez la bonbonne dans le socle. Assurez-vous que la soupape ne fait pas face au gril. Abaissez le support de montage du réservoir sur la bonbonne et fixez-le avec un écrou papillon.

**IMPORTANT:** Assurez-vous que le tuyau est dirigé vers le côté avant de la patte afin de maintenir un dégagement approprié au-dessous de l'unité.

**BRANCHEMENT AU GAZ NATUREL:** Ce gril à gaz naturel est équipé d'un tuyau d'alimentation de 10 pieds (complet avec un système de débranchement rapide) conçu pour un branchement au gaz naturel et certifié pour une utilisation extérieure. Ce gril à gaz est conçu pour fonctionner à une pression d'alimentation de 7 pouces de colonne d'eau. Un régulateur de pression doit être installé si la pression de la source d'alimentation en gaz est plus grande que 7 pouces de colonne d'eau. La tuyauterie et les soupapes en amont du système de débranchement rapide ne sont pas fournies.

Le système de débranchement rapide ne doit pas être installé verticalement et une soupape d'arrêt manuelle facilement accessible doit être installée en amont, et aussi près que possible du système de débranchement rapide. Le bout évasé du tuyau doit être raccordé à l'unité comme montré. Ces raccords doivent être faits par un installateur de gaz qualifié.

**IMPORTANT:** Assurez-vous que le tuyau est dirigé vers le côté avant de la patte afin de maintenir un dégagement approprié au-dessous de l'unité.

**APPAREILS SANS BRÛLEUR LATÉRAL:** Raccordez le bout évasé du tuyau au raccord qui est au bout du tube collecteur. Resserrez avec une clé. (N'utilisez pas de scellant/enduit à tuyaux).

**APPAREILS AVEC BRÛLEUR LATÉRAL:** Raccordez le tuyau de 20" à partir du collecteur, à travers la bague de fixation au-dessous de la base, au côté du brûleur comme montré. Installez le coude de 90° faisant face à l'arrière de l'unité. Raccordez le tuyau d'alimentation à ce coude et le bout évasé du tuyau d'alimentation au brûleur latéral. Resserrez avec une clé tous les raccords. (N'utilisez pas de scellant/enduit à tuyaux).



## AVERTISSEMENT

- L'installation doit être effectuée par un installateur certifié pour le gaz et tous les raccords doivent être testés pour des fuites avant de faire fonctionner le gril.
- Ne pas passer le tuyau d'alimentation sous le tiroir d'égouttement.
- Ne passez pas le boyau entre l'espace dans la tablette inférieure et le panneau arrière.
- N'acheminez pas le boyau par-dessus le panneau arrière.
- Assurez-vous que tous les raccords de boyaux sont serrés à l'aide de deux clés. N'utilisez pas de ruban de Téflon ou de composé pour raccord de tuyau sur les raccords.
- Vérifiez pour des fuites de gaz en appliquant une solution d'eau savonneuse selon les instructions de détection de fuites dans le manuel.
- Assurez-vous que le boyau ne touche à aucune surface à haute température sinon il risque de fondre, de provoquer une fuite et causer un feu.

# TEST DE DÉTECTION DE FUITES



## DANGER

N'utilisez pas une flamme nue pour vérifier pour des fuites de gaz. Assurez-vous qu'il n'y ait aucune étincelle ni flamme nue à proximité de l'endroit à vérifier. Les étincelles ou les flammes nues provoqueront un feu ou une explosion, causant des dommages matériels, des blessures graves ou des pertes de vie.

**TEST DE FUITES:** Il doit être fait avant la première utilisation, annuellement et à chaque fois qu'une pièce du système de gaz est remplacée ou réparée. Ne fumez pas et enlevez toutes sources d'allumage lorsque vous faites ce test. Consultez le schéma de test de fuites pour voir les endroits à tester.

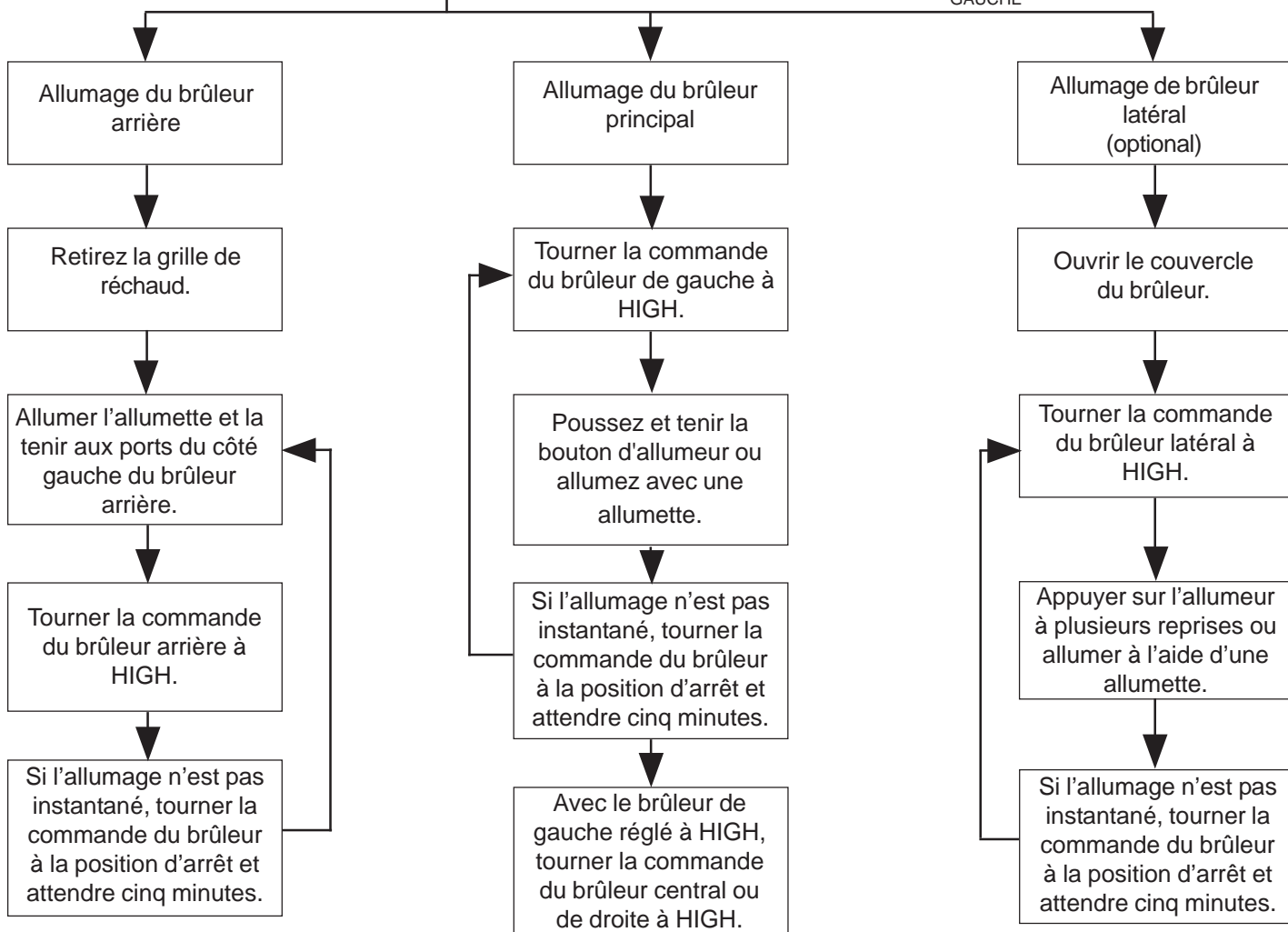
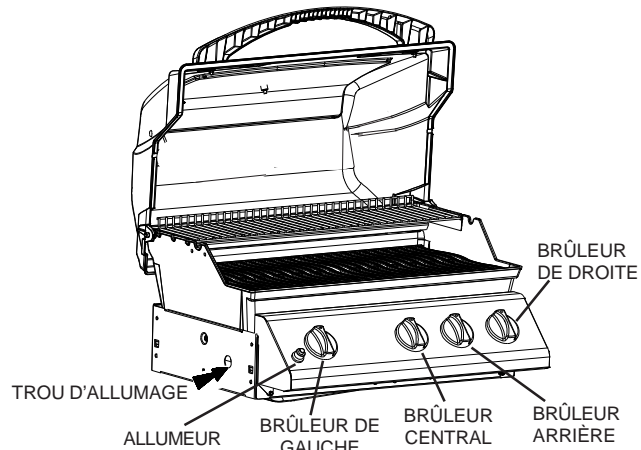
- 1 - Fermez tous les boutons des brûleurs. Ouvrez la soupape de la bonbonne.
- 2 - Appliquez une solution de deux parts égales de savon liquide et d'eau sur tous les joints du régulateur, le tuyau et ses raccords.
- 3 - Des bulles indiqueront une fuite de gaz. Resserrez le joint ou remplacez la pièce avec une autre recommandée par le détaillant.
- 4 - Si la fuite ne peut être réparée, fermez l'alimentation de gaz à la bonbonne, enlevez-la et faites inspecter votre gril par votre fournisseur de gaz ou détaillant. N'utilisez pas l'appareil jusqu'à ce que la fuite soit réparée.
- 5 - Fermez la soupape de la bonbonne.

# INSTRUCTIONS D'ALLUMAGE 405

Ouvrir le couvercle.



S'assurer que les commandes des brûleurs sont en position d'arrêt, et ouvrir le robinet d'alimentation en gaz.



La bonbonne de propane est munie d'un dispositif de régulation pour prévenir les débits excessifs. À moins de fermer tous les brûleurs avant d'ouvrir le robinet de la bonbonne, seules de petites flammes seront possibles.



Ne pas utiliser le brûleur arrière pendant que le brûleur principal est en marche.

# INSTRUCTIONS D'OPÉRATION

Lorsqu'il est allumé pour la première fois, le gril dégagera une légère odeur. Ceci est un phénomène normal et temporaire causé par l'évaporation des peintures et lubrifiants internes utilisés dans le processus de fabrication et ne se reproduira pas. Allumez simplement votre gril sur "high" pendant une demi-heure.

**UTILISATION DU BRÛLEUR PRINCIPAL:** Avant de cuire les aliments il est recommandé de préchauffer le gril à "high" avec le couvercle fermé pendant environ 10 minutes. Les aliments à cuisson courte (poisson, légumes) peuvent être grillés avec le couvercle ouvert. Une cuisson avec le couvercle fermé procurera des températures plus élevées et plus constantes qui réduiront la période de cuisson et cuiront la viande de façon plus égale. Les aliments qui requièrent un temps de cuisson de plus de 30 minutes, tels que les rôtis, peuvent être cuits en utilisant la méthode indirecte (avec le brûleur allumé du côté opposé à l'emplacement de la viande). Lorsque vous faites cuire des viandes très maigres, comme une poitrine de poulet ou du porc maigre, il est à conseiller de huiler les grilles de cuisson avant le préchauffage ce qui aura pour effet d'empêcher la viande de trop coller aux grilles. Le fait de cuire de la viande avec beaucoup de gras, peut causer des flambées soudaines. Il suffit alors d'enlever le gras avant la cuisson ou de réduire la température pour remédier à ce problème. En cas de flambées, éloignez les aliments de la flamme et réduisez la température. Gardez le couvercle ouvert.

**UTILISATION DU BRÛLEUR ARRIÈRE:** Enlevez la grille-réchaud avant de l'allumer. Les grilles de cuisson doivent également être enlevées si elles interfèrent avec l'utilisation de la rôtissoire. Ce gril est équipé d'un brûleur arrière de 14,000 BTU. Le brûleur arrière est conçu pour être utilisé avec un ensemble de rôtissoire disponible chez votre détaillant. Consultez les instructions de montage de l'ensemble rôtissoire pour plus de détails. Pour placer le contre-poids au bon endroit enlevez le moteur de la rôtissoire de son support. Placez la broche qui supporte la viande sur les deux supports à l'intérieur du gril. Le morceau de viande se placera naturellement avec son côté le plus pesant vers le bas. Fixez le contre-poids en place en plaçant le bras vers le haut. Vous devez ensuite glisser le poids vers le haut ou vers le bas afin de contrebalancer le poids de la viande puis serrez-le en place. Replissez le moteur et commencez la cuisson. Placez la lèchefrite sous la viande pour récupérer le jus de cuisson qui servira pour arroser la viande et créer ainsi une délicieuse sauce naturelle. On peut également ajouter un peu d'eau si nécessaire pour favoriser l'arrosage. Afin de capturer le jus à l'intérieur de la viande, réglez le brûleur arrière à "high" jusqu'au brunissement puis, réduisez ensuite la chaleur pour une cuisson complète. Gardez le couvercle fermé pour obtenir de meilleurs résultats. Vos rôtis et volailles seront parfaitement dorés à l'extérieur tout en restant tendres et juteux à l'intérieur. Par exemple, un poulet de 3 livres sur la rôtissoire sera cuit dans approximativement 1h30 à une température entre moyenne et haute.

**UTILISATION DU BRÛLEUR LATÉRAL:** Votre brûleur latéral peut être utilisé comme un rond de cuisinière normal pour chauffer les sauces, les soupes etc. Le gril doit être placé de manière à ce que le vent n'affecte pas l'opération du brûleur latéral car il en réduirait la performance.

## NETTOYAGE

**Assurez-vous que les brûleurs sont éteints avant de nettoyer. Éviter tout contact avec les surfaces chaudes. Nettoyez votre gril dans un endroit où les produits de nettoyage n'endommageront pas votre patio, terrain ou terrasse. N'utilisez pas de produit de nettoyage à fourneau pour nettoyer votre gril. La sauce BBQ et le sel sont très corrosifs et causeront une détérioration très rapide de votre gril à moins que vous ne fassiez un nettoyage régulier.**

Note : L'acier inoxydable a tendance à s'oxyder ou à tacher en présence de chlorures et de sulfures que l'on retrouve particulièrement dans les zones côtières ainsi que dans les environnements chauds et humides tels que les piscines et les spas. Ces taches peuvent être prises pour de la rouille mais il peuvent être facilement enlevées et même évitées. Afin de prévenir les taches, nettoyez toutes les surfaces en acier inoxydable à toutes les trois à quatre semaines ou au besoin avec de l'eau douce et un nettoyant à acier inoxydable.

**LES GRILLES DE CUISSON ET LA GRILLE-RÉCHAUD:** Les grilles de cuisson et la grille-réchaud sont plus faciles à nettoyer durant la période de préchauffage en utilisant une brosse en laiton. Une laine d'acier peut être utilisée pour les taches les plus rebelles. Les grilles en acier inoxydable vont changer de couleur en permanence dû à la chaleur excessive de la surface de cuisson.

**NETTOYAGE DE L'INTÉRIEUR DU GRIL:** Enlevez les grilles de cuisson. Utilisez une brosse en laiton pour enlever les débris non-incrustés sur les côtés de la cuve et à l'intérieur du couvercle. Grattez les plaques de brûleur avec un couteau à mastic ou un grattoir puis utilisez une brosse en laiton pour enlever la suie. Enlevez les plaques de brûleur et nettoyez les débris sur le brûleur à l'aide de la brosse. Nettoyez tous les débris qui se trouvent à l'intérieur du gril en les faisant tomber dans le tiroir d'égouttement. Le tiroir d'égouttement devrait être gratté à l'aide d'un couteau à mastic ou d'un grattoir en jetant les débris dans le récipient à graisse jetable. Le récipient jetable devrait être remplacé entre deux et quatre semaines selon la fréquence d'utilisation du gril. Pour vous procurer des récipients de rechange informez-vous à votre représentant NAPOLEON. Assurez-vous de replacer les plaques de brûleur dans la bonne position. (Consultez les instructions de montage si nécessaire pour un positionnement correct).

**NETTOYAGE DE L'EXTÉRIEUR DU GRIL:** N'utilisez pas de produits abrasifs pour nettoyer les pièces peintes, ou en acier inoxydable. Utilisez une solution d'eau savonneuse chaude pour nettoyer l'extérieur du gril pendant qu'il est encore tiède au toucher. Pour nettoyer les surfaces en acier inoxydable utilisez un produit de nettoyage à acier inoxydable ou un produit de nettoyage tout usage sans abrasif. Frottez toujours dans le sens du grain. N'utilisez pas de laine d'acier car elle égratignerait le fini. Les pièces en acier inoxydable vont décolorer sous l'effet de la chaleur pour habituellement prendre une couleur dorée ou brune. Cette décoloration est normale et n'affectera pas la performance du gril.

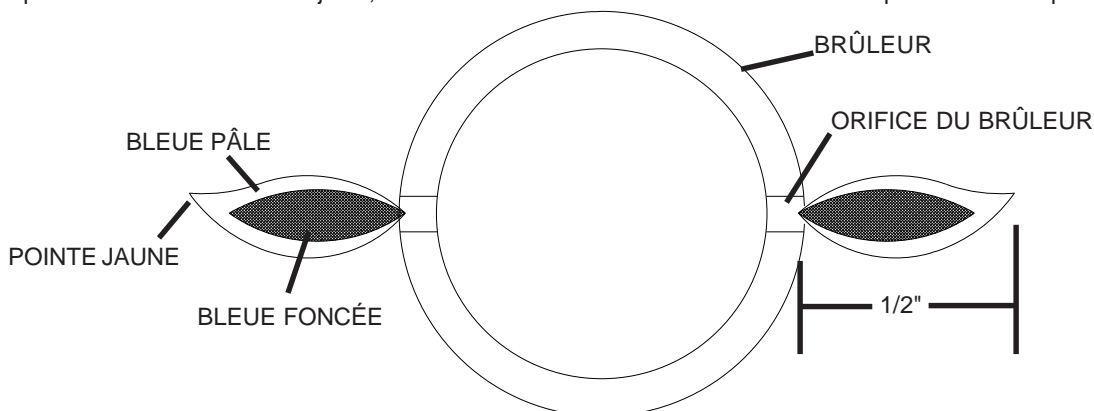
**LES TABLETTES LATÉRALES EN SOLIDO:** Nettoyez les tablettes latérales à l'aide d'une solution d'eau savonneuse chaude et d'une brosse de nylon.

## INSTRUCTIONS D'ENTRETIEN

**Nous vous conseillons de faire inspecter ce gril à gaz annuellement par un technicien de service qualifié.**

**Fermez le gaz à la source et débranchez l'appareil avant l'entretien. L'entretien devrait être effectué seulement lorsque le gril est froid pour éviter toutes possibilités de brûlure. Un test de détection de fuites devrait être effectué annuellement ou à chaque fois qu'une composante de gaz est remplacée.**

**AJUSTEMENT DE L'AIR DE COMBUSTION** (ceci doit être effectué par un installateur qualifié): Le volet d'air est réglé à l'usine et ne devrait pas avoir besoin normalement d'être ajusté. Cependant dans des conditions exceptionnelles un ajustement peut être requis. Lorsque le volet d'air est bien ajusté, les flammes seront bleues foncées avec des pointes bleues pâles ou quelques fois jaunes.



Si le brûleur ne reçoit pas assez d'air, les flammes seront jaunes pâles et produiront possiblement de la suie. Si le brûleur reçoit trop d'air, les flammes scintilleront de façon erratique et causeront possiblement des problèmes d'allumage.

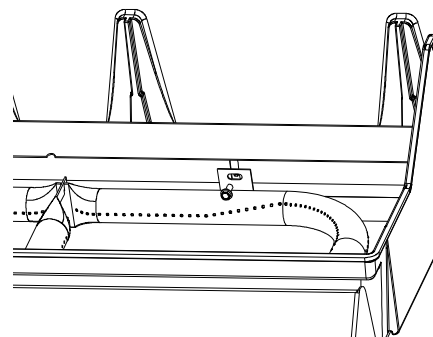
1. Pour ajuster le volet d'air, enlevez les grilles de cuisson, les plaques de brûleur et laissez le couvercle ouvert. Pour ajuster le volet d'air du brûleur arrière, vous devez enlever le couvercle arrière.
2. Desserrez la vis de verrouillage du volet d'air et ouvrez ou fermez le volet d'air selon le cas. Les ajustements normaux sont:
 

Brûleur principal	Propane 3/16"	Brûleur arrière	Propane 3/8"
	Naturel 1/8"		Naturel 1/8"
3. Allumez les brûleurs et positionnez-les à "high". Inspectez visuellement les flammes. Lorsque les volets sont ajustés, éteignez les brûleurs, serrez la vis de verrouillage et remplacez les pièces qui avaient été enlevées.

**⚠ AVERTISSEMENT**

**BOYAU** - Vérifiez l'usure, coupures, craquelures ou s'il est fondu. Si vous découvrez une de ces déficiences, n'utilisez pas votre grill. Faites remplacer la pièce par votre détaillant ULTRACHEF ou par un installateur qualifié.

**BRÛLEUR** - Le brûleur est fait d'acier inoxydable 304, mais en raison de la chaleur extrême et d'un environnement corrosif, il se produira une corrosion de surface. Enlevez cette corrosion à l'aide d'une brosse en laiton. Nettoyez les orifices bouchés à l'aide d'un trombone déplié. N'agrandissez surtout pas les orifices du brûleur. Les araignées et les insectes sont attirés par l'odeur du propane et du gaz naturel. Le brûleur est muni d'un grillage contre les insectes qui protège le volet d'air réduisant ainsi la possibilité que les insectes se construisent des nids dans le brûleur mais ceci n'est pas efficace à 100 %. Le nid ou la toile d'araignée fera que le brûleur produira une flamme jaune pâle ou orangée ou causera des "ratés" de feu au niveau des volets d'air sous le panneau de contrôle. Pour nettoyer l'intérieur du brûleur vous devez le détacher du grill. Retirez les vis qui se trouvent au-dessus de l'arrière du brûleur, de chaque côté du centre. Soulevez l'arrière du brûleur vers le haut pour le retirer. Utilisez une brosse flexible de tube de venturi pour nettoyer l'intérieur du brûleur. Faites sortir tous les débris qui se trouvent à l'intérieur du brûleur en le brossant. Assurez-vous que le grillage est propre, serré et libre de tous débris ou déchets. Vérifiez également que les orifices de la soupape sont propres. N'agrandissez surtout pas les orifices. Réinstallez le brûleur. Assurez-vous que la soupape pénètre le brûleur lors de la réinstallation. Remplacez le couvre-brûleur et la vis centrale afin de terminer l'installation.



**MOULAGES EN ALUMINIUM** - Nettoyez les moulages périodiquement à l'aide d'une solution d'eau savonneuse chaude. L'aluminium ne rouillera pas mais dû aux chaleurs élevées et aux effets climatiques, une oxydation se produira sur les surfaces d'aluminium. Ceci apparaîtra comme des taches blanches sur les moulages. Pour réparer le fini des moulages, sablez-les à l'aide d'un papier émeri fin. Essuyez la surface et peignez avec de la peinture à grill haute température. Protégez les alentours des vapeurs de peinture. Suivez les directives de séchage inscrites sur la bonbonne de peinture.

## GUIDE DE DÉPANNAGE

Problème	Causes Probables	Solution
Chaleur faible / Flamme petite lorsque le bouton de contrôle est sur "high".	Pour le propane - procédure d'allumage incorrect.	Assurez-vous que la procédure d'allumage est suivie à la lettre. Tous les boutons de contrôle du grill doivent être fermés lorsque vous ouvrez la soupape d'arrivée de gaz à la bonbonne ce qui devrait être fait lentement pour assurer l'équilibre de la pression. Voir les instructions d'allumage. Grosseur du tuyau doit être selon le code d'installation.  Préchauffez le grill à l'aide des brûleurs principaux en les plaçant à "high" pendant 10 à 15 minutes.
	Pour le gaz naturel - tuyau d'arrivée du gaz trop petit.	
	Pour les deux sortes de gaz - mauvais préchauffage	



Flambée excessive / Chaleur inégale.	Plaques de brûleur mal installées.  Mauvais préchauffage  Amas excessif de graisse et de cendres sur les plaques de brûleur et dans le tiroir d'égouttement.	Assurez-vous que les plaques de brûleur sont installées de façon adéquate. Consultez les instructions d'assemblage.  Préchauffez le gril à l'aide des deux brûleurs principaux pendant 10 à 15 minutes.  Nettoyez les plaques de brûleur et le tiroir d'égouttement régulièrement. Ne tapissez pas le tiroir d'égouttement avec du papier d'aluminium. Consultez les instructions de nettoyage.
Les flammes produites par les brûleurs sont jaunes et vous détectez une odeur de gaz.	Possibilité de toiles d'araignée, d'autres débris ou d'un mauvais ajustement des volets d'air.	Enlevez le brûleur et nettoyez-le complètement. Consultez les instructions d'entretien. Ouvrez les volets d'air un peu tout en suivant les règles. (ceci doit être effectué par un installateur de gaz qualifié)
Les flammes se détachent du brûleur, accompagnées d'une odeur de gaz et possiblement une difficulté d'allumage.	Mauvais ajustement des volets d'air.	Fermez légèrement les volets d'air selon les instructions d'ajustement des volets d'air. (ceci doit être effectué par un installateur de gaz qualifié)
Le brûleur ne s'allume pas avec l'allumeur mais s'allume avec une allumette.	La pile est déchargée ou installée incorrectement.  Fil de l'électrode lâche.  Mauvais allumeur de rechange.  Mauvais écart du bout de l'électrode.  Les flammes se séparent du brûleur.	Remplacez avec des piles AAA à grande capacité. Installez la pile avec la borne positive (+) vers le haut.  Assurez-vous que le fil de l'électrode soit poussé bien au fond sur le terminal derrière l'allumeur.  Le système à 1 étincelle ne fonctionnera qu'avec un allumeur de ce type  Assurez-vous que la boîte de connection est bien fixée et que la distance entre l'électrode et celle-ci est entre 1/8" et 3/16". La distance peut être ajustée en poussant la boîte vers l'extérieur.  Fermez le volet d'air légèrement - voir le problème précédent.
Le régulateur murmure.	Problème normal en temps chaud.	Ceci n'est pas un défaut. Il est causé par une vibration à l'intérieur du régulateur et n'affecte en rien la performance et la sécurité du gril à gaz.
Les brûleurs ne s'allument pas les uns aux autres.	Les orifices sont bouchés à l'arrière du brûleur.	Nettoyez les orifices du brûleur. Consultez les instructions d'entretien.
La peinture semble peler à l'intérieur du couvercle.	Accumulation de graisse sur les surfaces internes.	Ceci n'est pas un défaut. Le pelage est causé par la graisse qui durci et sèche comme des éclats de peinture qui pèlent. Un nettoyage régulier préviendra ce problème. Consultez les instructions de nettoyage.

## COMMANDE DES PIÈCES DE RECHANGE / RETOURS

Avant de contacter le bureau de service du clientèle, veuillez prendre note, que notre guide de dépanage est maintenant disponible sur le net à [www.napoleongrills.com](http://www.napoleongrills.com). Ici, vous trouver beaucoup d'information comme les instructions de d'opération et de nettoyage et comment remplacer les pièces. Contactez le manufacturier directement pour obtenir des pièces de rechanges et faire des réclamations sur garantie. Le département de service est à votre disposition entre 9 AM et 5 PM (heure normale de l'est) au 1-888-820-8686 ou fax au 1-705-727-4282. Pour qu'une réclamation soit traitée, l'information suivante est nécessaire :

1. Modèle et numéro de série de l'appareil.
2. Numéro de la pièce et description.
3. Une description concise du problème (« cassé » n'est pas suffisant).
4. Preuve d'achat (copie de la facture).

Dans quelques cas, le département du service peut demander de leur retourner la pièce pour des fins d'inspection avant de fournir une pièce de rechange. Les pièces doivent être expédiées port payé à l'attention du département de service avec l'information suivante :

1. Modèle et numéro de série de l'appareil.
2. Une description concise du problème (« cassé » n'est pas suffisant).
3. Preuve d'achat (copie de la facture).
4. Un numéro de « SPC » - fourni par le représentant du département de service.

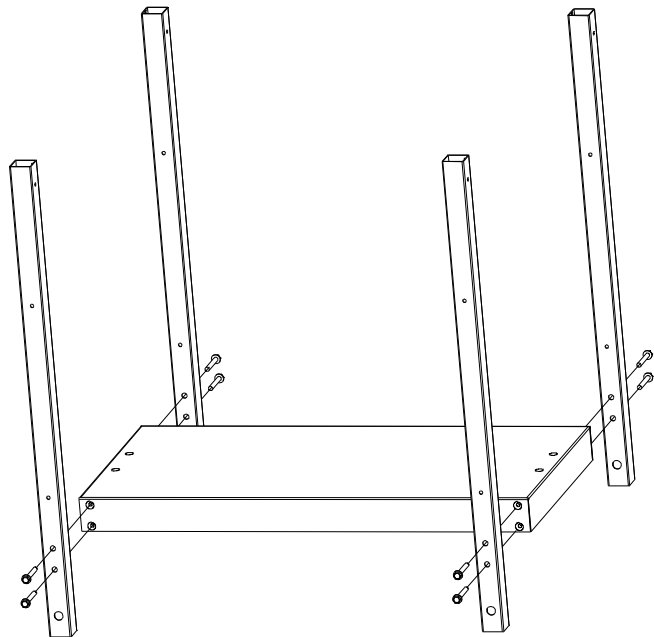
Avant de contacter le département de service, veuillez prendre note que les items suivants ne sont par couverts par la garantie :

- coûts de transport, bris et frais d'exportation
- main-d'oeuvre pour l'enlèvement et l'installation de la pièce
- coûts des appels de service pour diagnostiquer le problème
- décoloration des pièces en acier inoxydable
- bris des pièces suite à un manque d'entretien ou de maintenance, ou utilisation de nettoyeurs non appropriés (nettoyeur à fourneau)

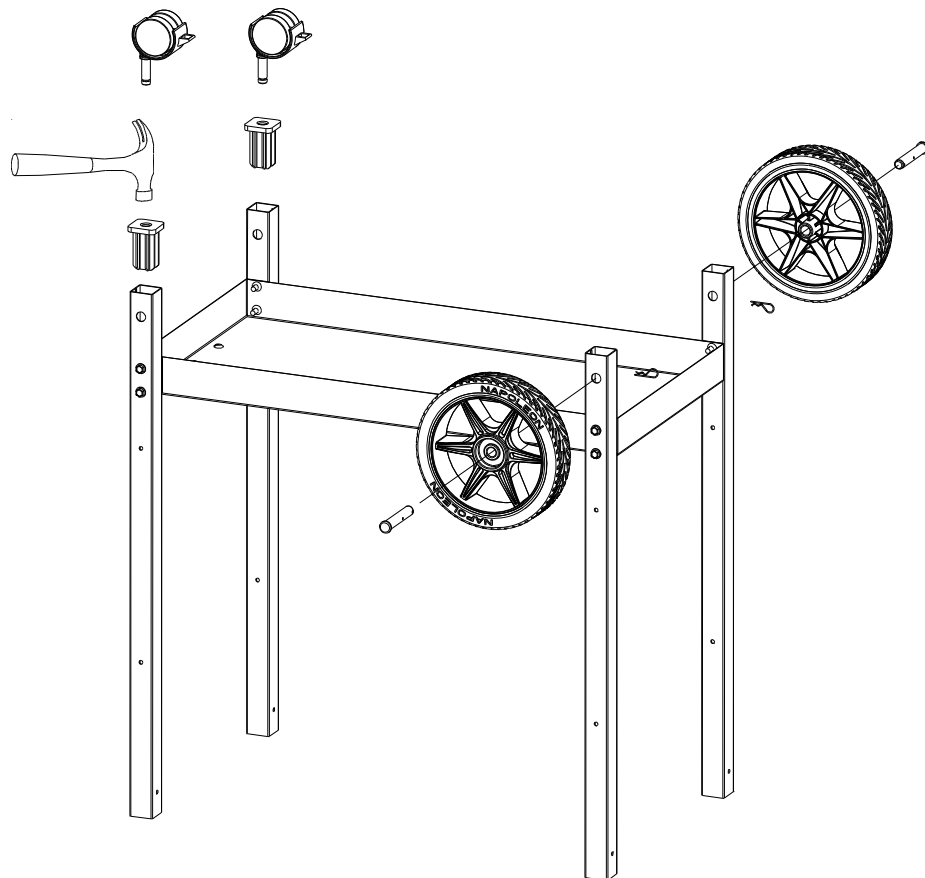
CART MODEL ONLY  
MODÈLE SUR CHARIOT SEULEMENT



8 X  
N570-0027 (#14 X 2")



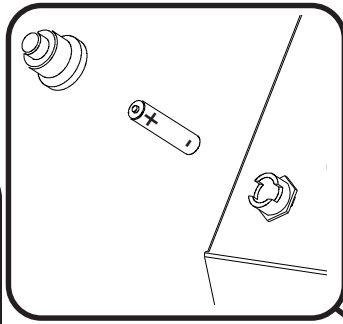
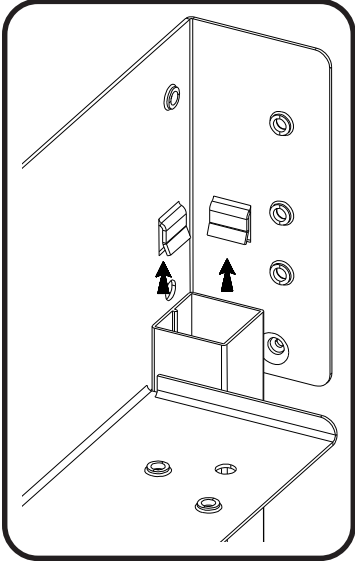
CART MODEL ONLY  
MODÈLE SUR CHARIOT SEULEMENT



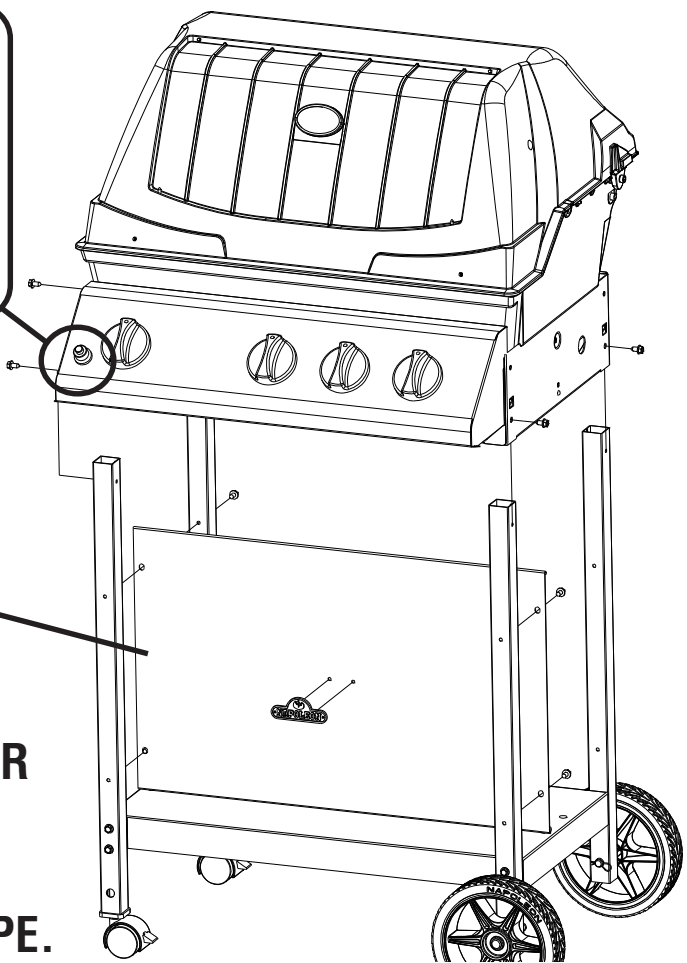
**CART MODEL ONLY  
MODÈLE SUR CHARIOT SEULEMENT**



**8 X**   
**N570-0026 (#14 x 1/2")**



**RB UNITS ONLY  
MODÈLE RB  
SEULEMENT**

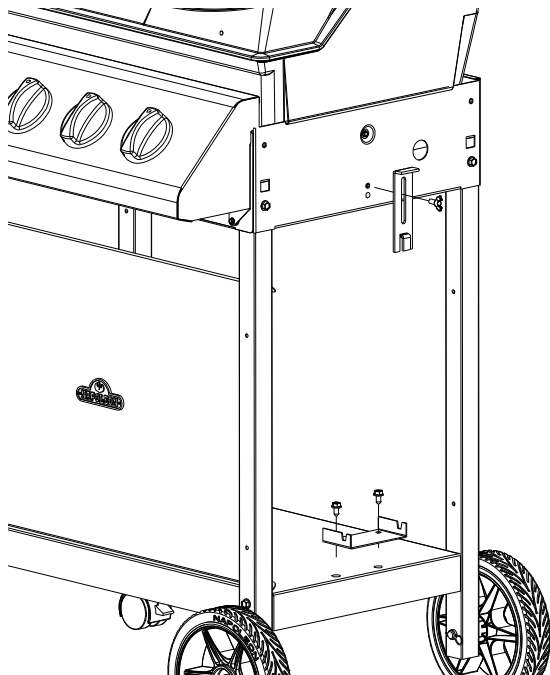


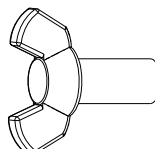
**TWO PEOPLE ARE REQUIRED FOR  
THIS STEP.  
DEUX PERSONNES SON  
NÉCESSAIRES POUR CETTE ÉTAPPE.**

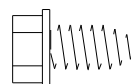
**CART MODEL ONLY  
MODÈLE SUR CHARIOT SEULEMENT**



**PROPANE ONLY  
PROPANE SEULEMENT**



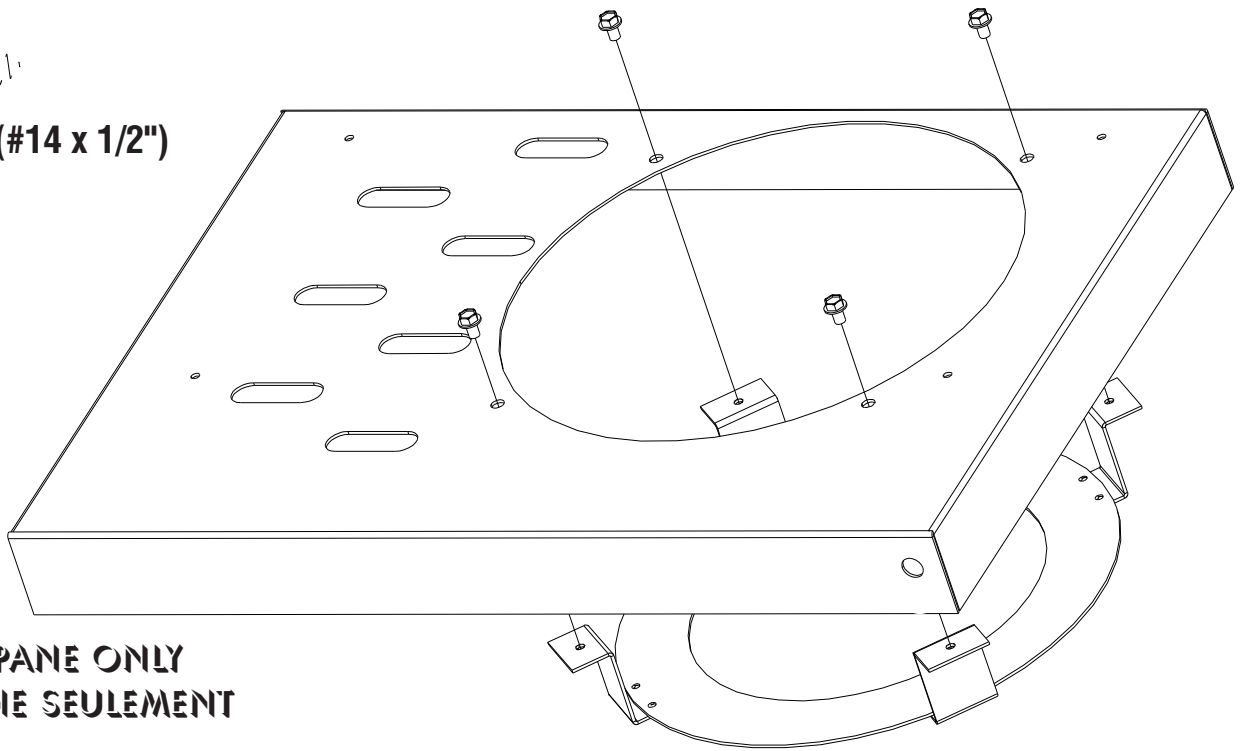
**1 X**   
**N570-0065 (1/4-20 x 1/2")**

**2 X**   
**N570-0026 (#14 x 1/2")**

**PEDESTAL MODEL ONLY  
MODÈLE SUR SOCLE SEULEMENT**

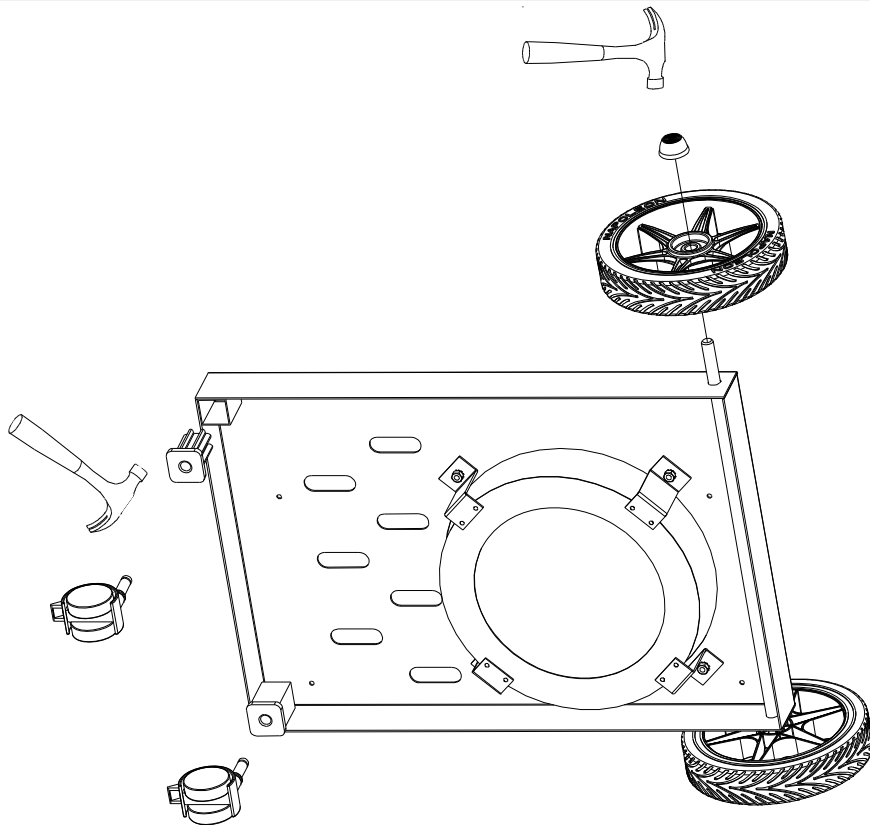


4 X  
N570-0026 (#14 x 1/2")

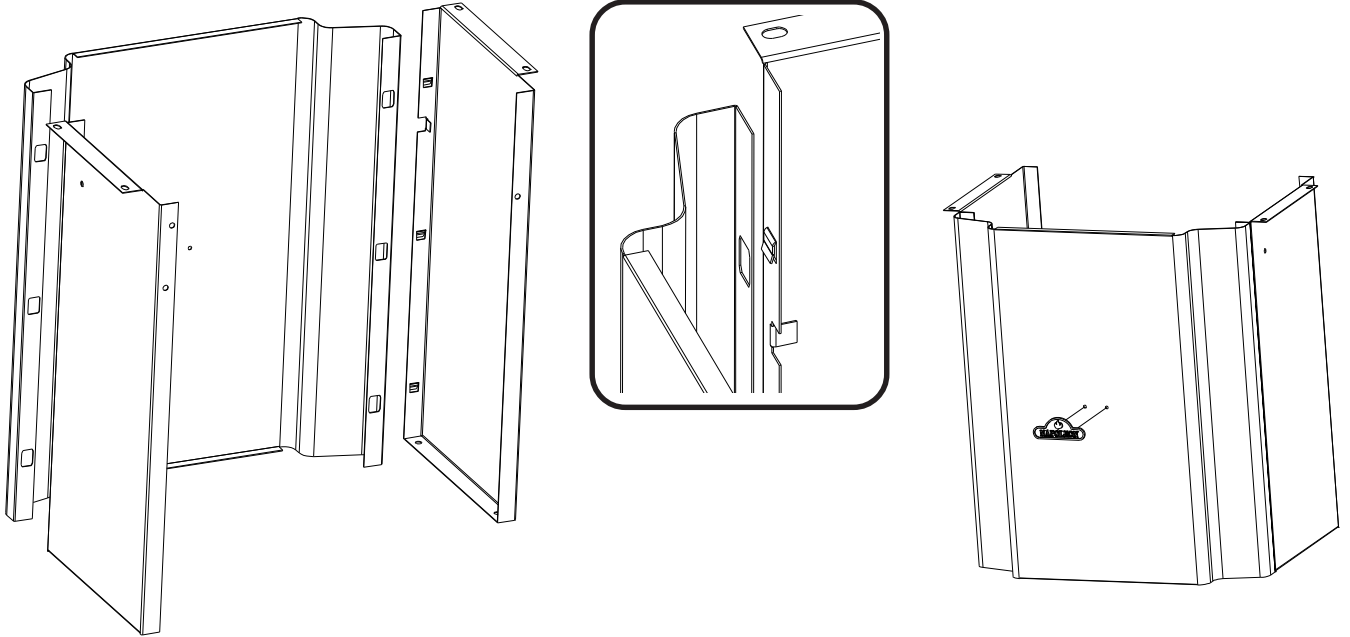


**PROPANE ONLY  
PROPANE SEULEMENT**

**PEDESTAL MODEL ONLY  
MODÈLE SUR SOCLE SEULEMENT**



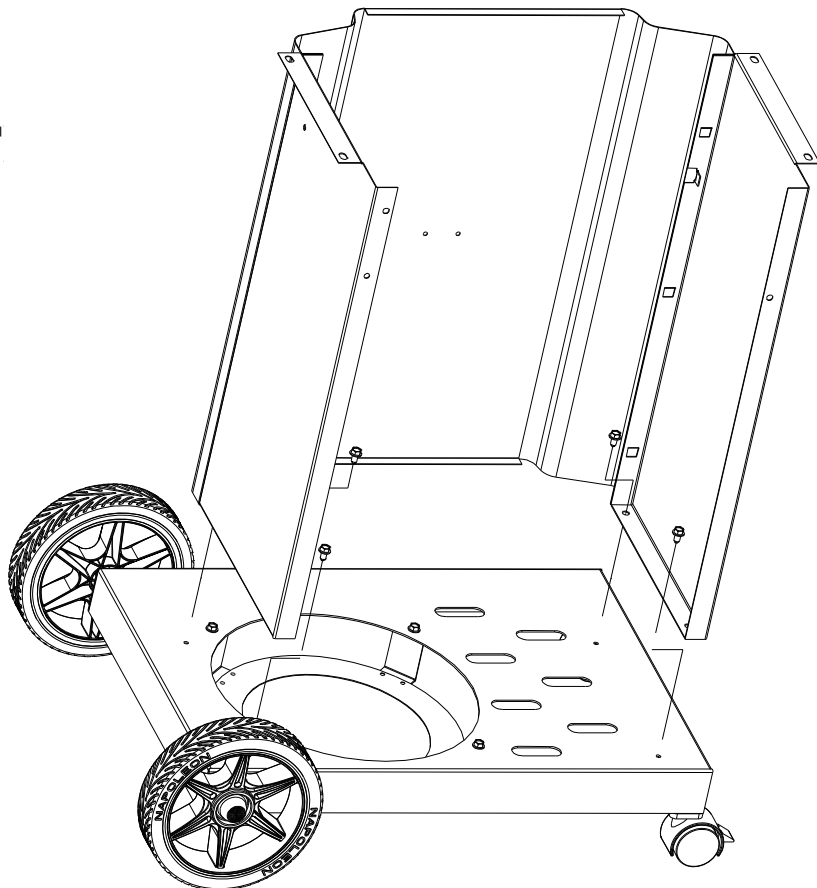
**PEDESTAL MODEL ONLY  
MODÈLE SUR SOCLE SEULEMENT**



**PEDESTAL MODEL ONLY  
MODÈLE SUR SOCLE SEULEMENT**



4 X   
N570-0026 (#14 x 1/2")

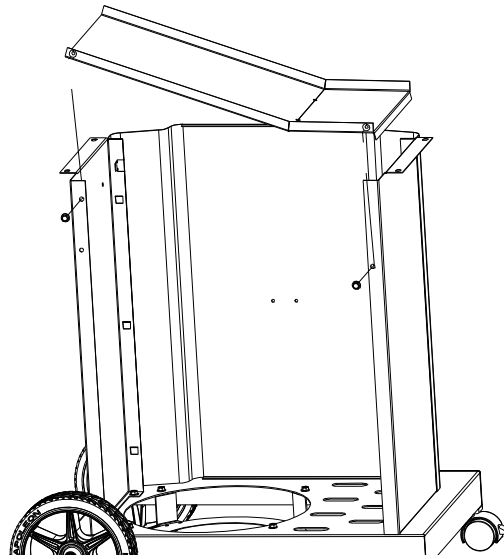


**PEDESTAL MODEL ONLY  
MODÈLE SUR SOCLE SEULEMENT**



2 X   
N570-0026 (#14 x 1/2")

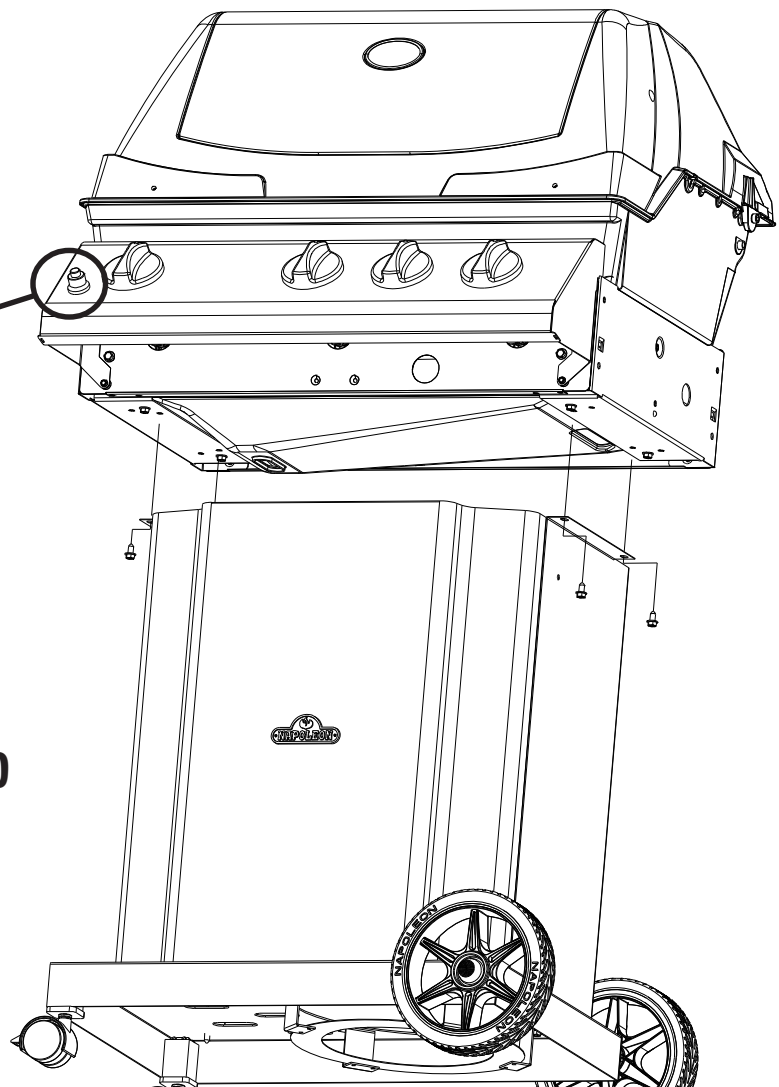
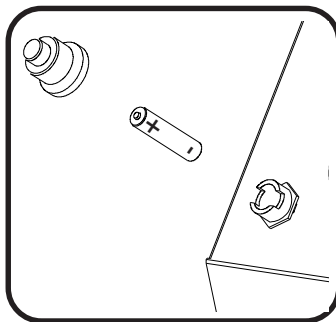
**PROPANE ONLY  
PROPANE SEULEMENT**



**PEDESTAL MODEL ONLY  
MODÈLE SUR SOCLE SEULEMENT**

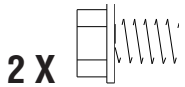


4 X   
N570-0026 (#14 x 1/2")

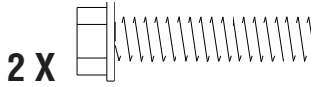


**TWO PEOPLE ARE REQUIRED  
FOR THIS STEP.  
DEUX PERSONNES SON  
NÉCESSAIRES POUR CETTE  
ÉTAPE.**

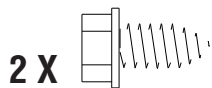
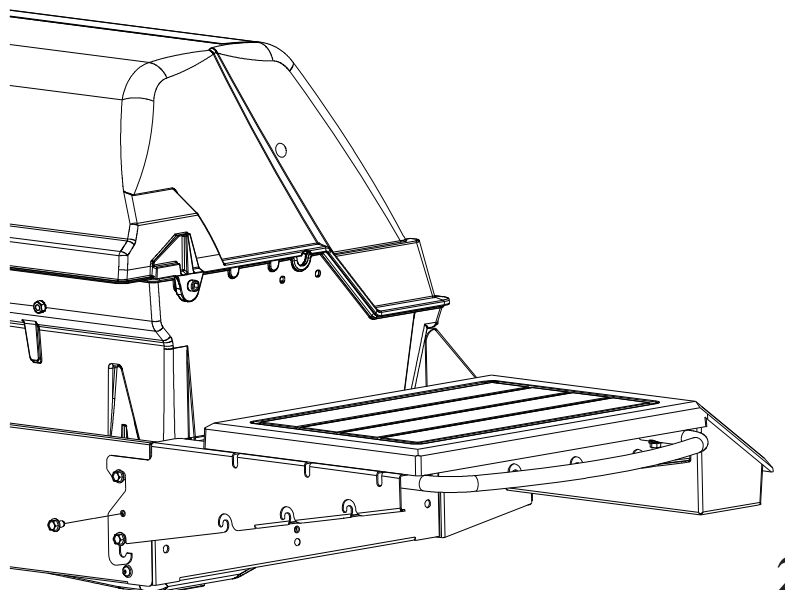
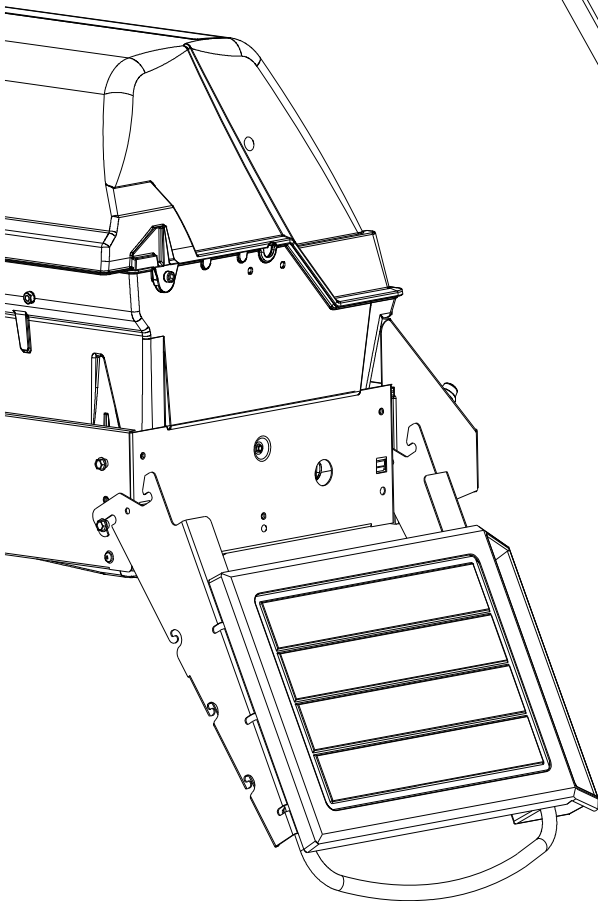
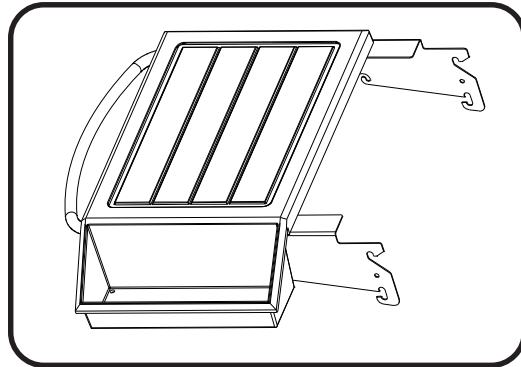
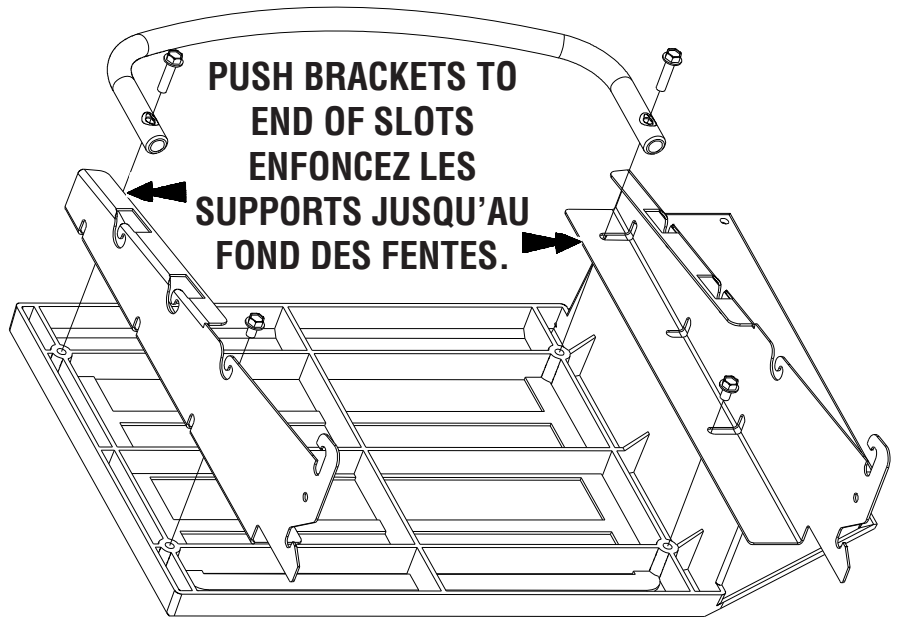
**CART MODEL ONLY**  
**MODÈLE SUR CHARIOT SEULEMENT**



**2 X**  
**N570-0029 (1/4-20 x 3/8")**



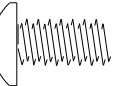
**2 X**  
**N570-0036 (1/4-20 x 1")**

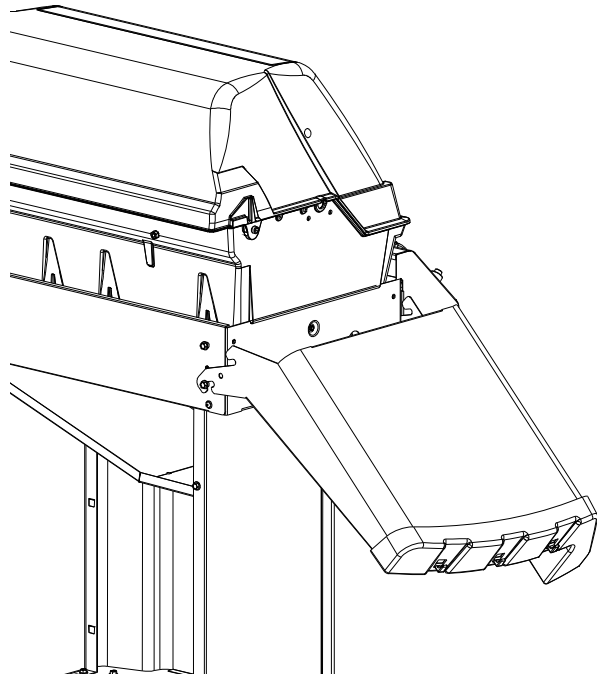
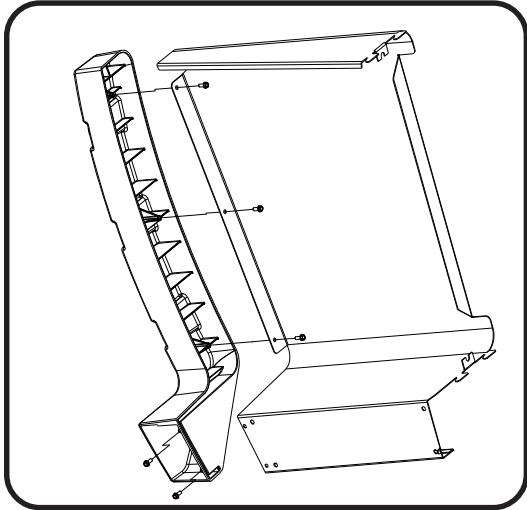


**2 X**  
**N570-0026 (#14 x 1/2")**  
**OPTIONAL LOCKING SCREW**  
**VIS DE VERROUILLAGE**  
**OPTIONNELLE**

**PEDESTAL MODEL ONLY  
MODÈLE SUR SOCLE SEULEMENT**

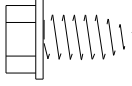


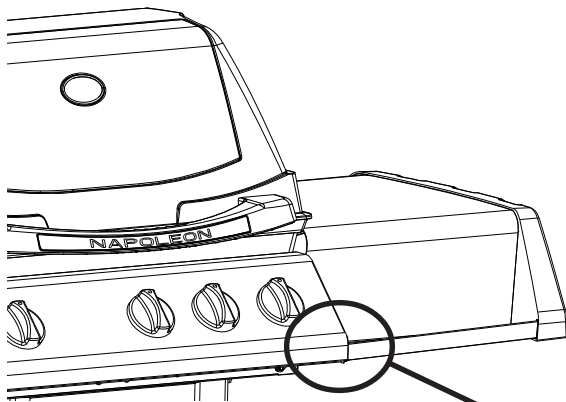
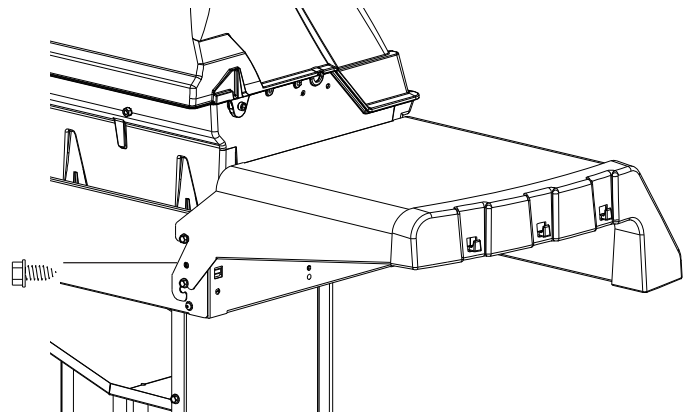
**5 X**   
**N570-0076 (#8 X 1/2")**



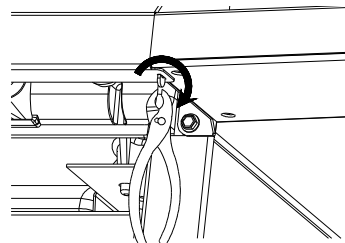
**PEDESTAL MODEL ONLY  
MODÈLE SUR SOCLE SEULEMENT**



**2 X**   
**N570-0026 (#14 x 1/2")**  
**OPTIONAL LOCKING SCREW**  
**VIS DE VERROUILLAGE**  
**OPTIONNELLE**



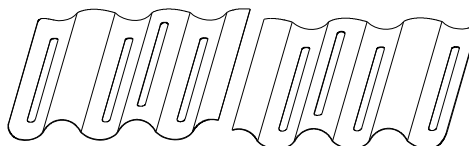
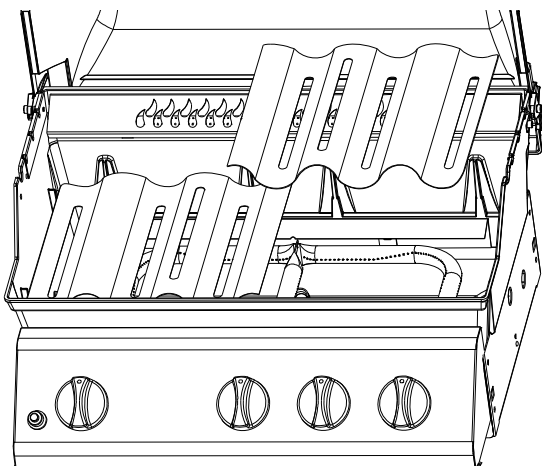
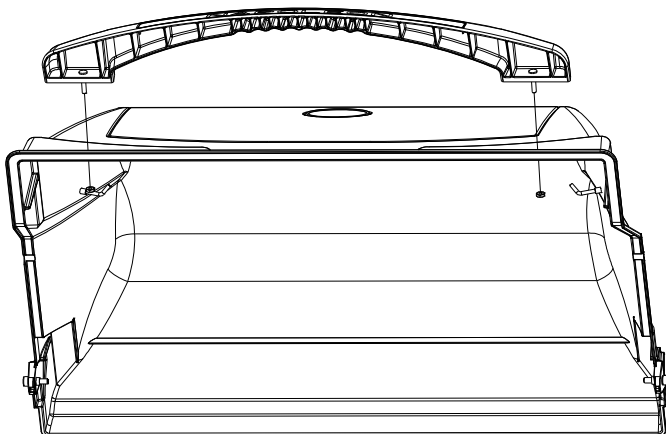
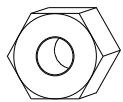
**LOCKING OPTIONAL  
VERROUILLAGE OPTIONNELLE**





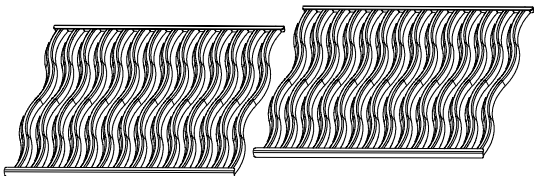


2 X  
N450-0005 (10-24)

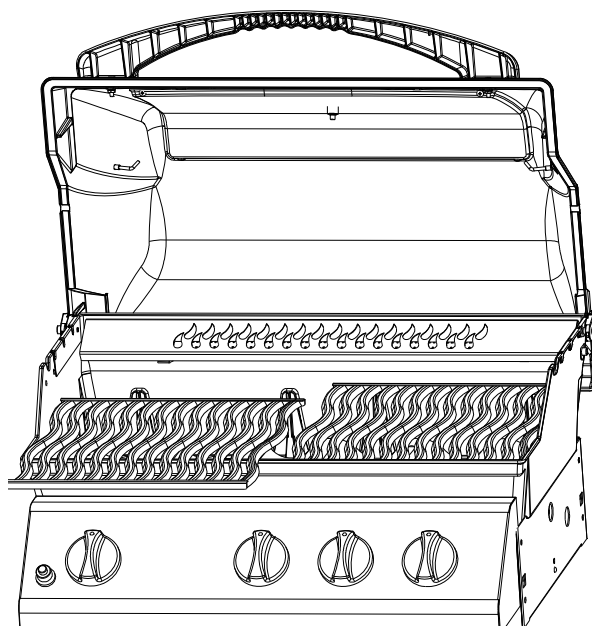
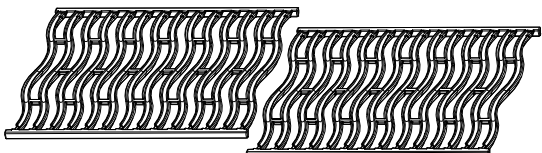


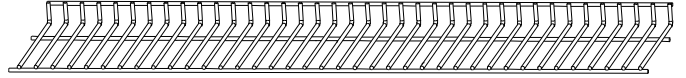
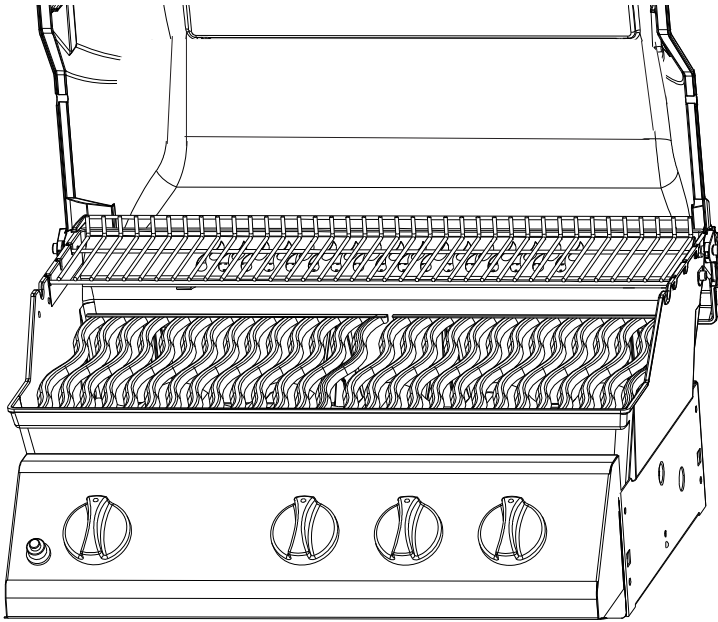
2 X N305-0041

CART MODEL  
2 X N305-0044

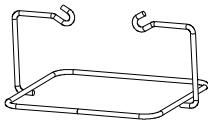


PEDESTAL MODEL  
2 X N305-0065

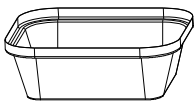




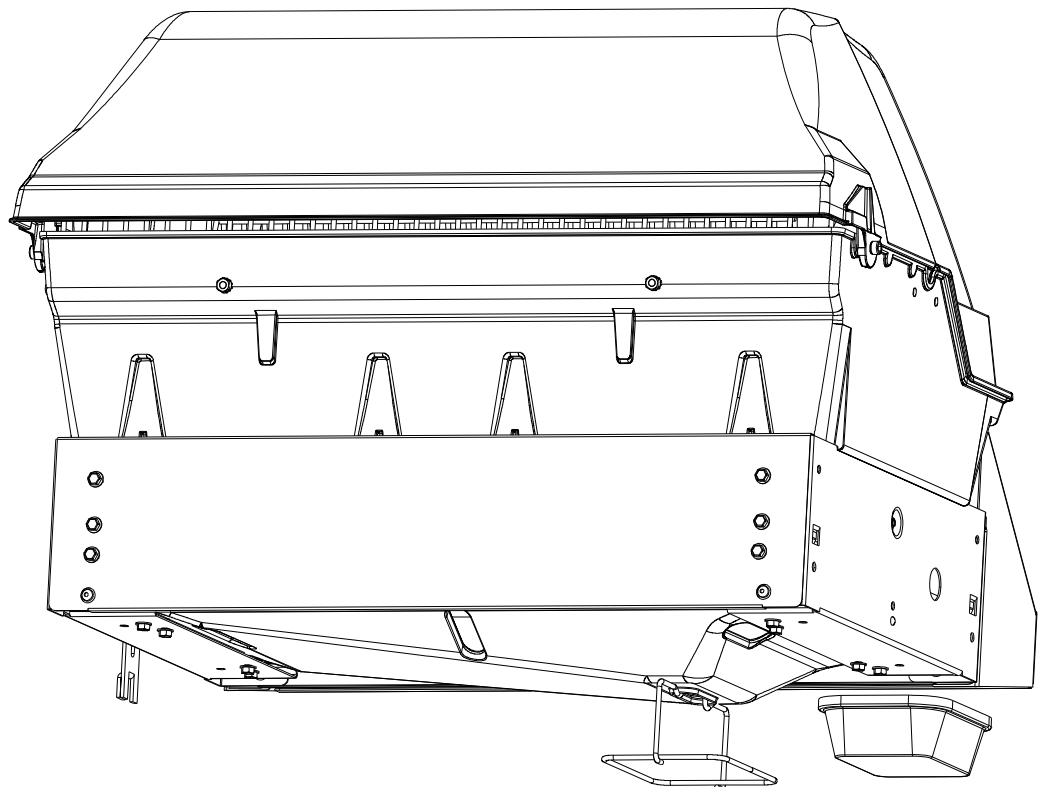
**N520-0011K**



**N160-0010**



**N185-0001**

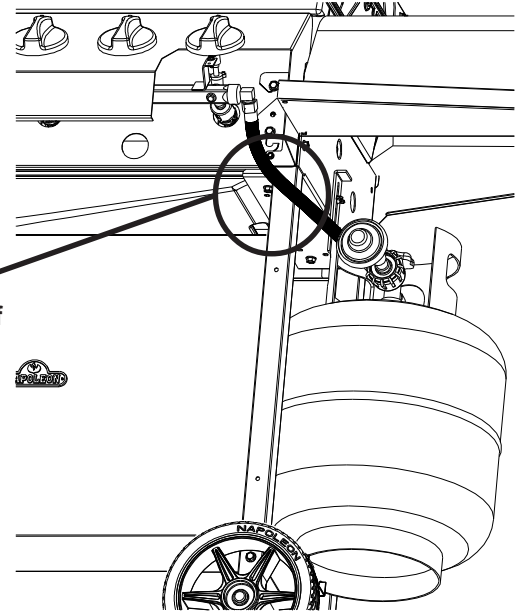
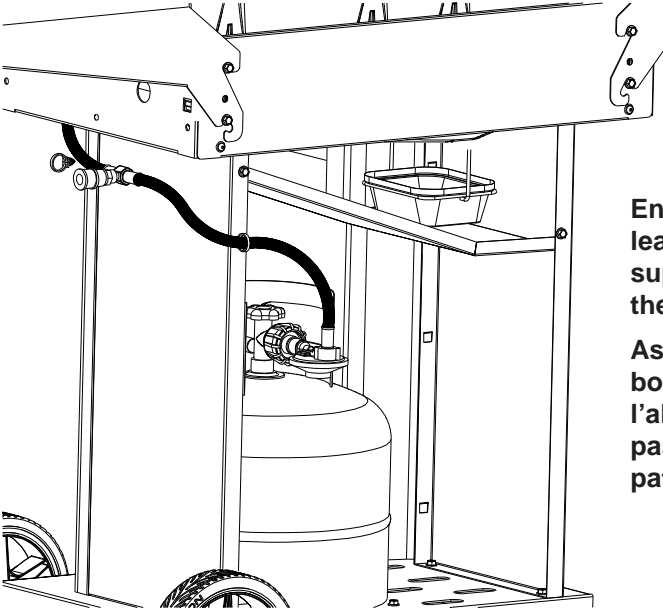


**PROPANE ONLY - PROPER HOSE CONNECTION**  
**PROPANE SEULEMENT - BRANCHEMENT ADÉQUAT DU BOYAU**

2 X   
**N160-0002**

PEDESTAL MODEL  
 MODÈLE SUR SOCLE

CART MODEL  
 MODÈLE SUR CHARIOT



Ensure that the hose leading to the gas supply runs in front of the leg.

Assurez-vous que le boyau de menant à l'alimentation en gaz passe en avant de la patte.



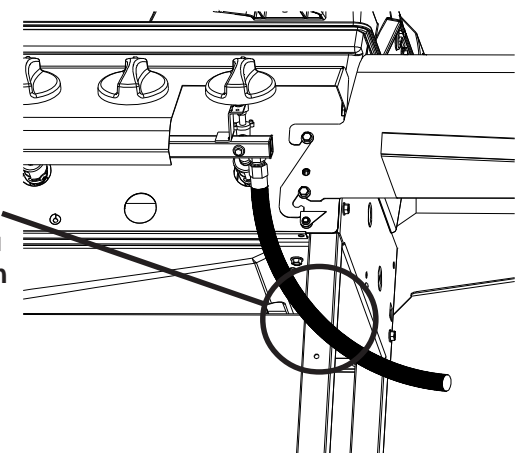
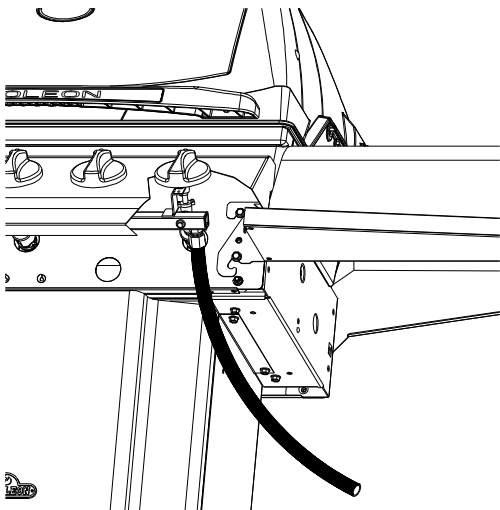
- Ensure the hose does not contact any high temperature surfaces, or it may melt and leak causing a fire.
- Assurez-vous que le boyau ne touche à aucune surface à haute température sinon il risque de fondre, de provoquer une fuite et causer un feu.

**NATURAL GAS ONLY - PROPER HOSE CONNECTION**  
**GAZ NATUREL SEULEMENT - BRANCHEMENT ADÉQUAT DU BOYAU**

2 X 

PEDESTAL MODEL  
 MODÈLE SUR SOCLE

CART MODEL  
 MODÈLE SUR CHARIOT



Ensure that the hose leading to the gas supply runs in front of the leg.  
 Assurez-vous que le boyau de menant à l'alimentation en gaz passe en avant de la patte.



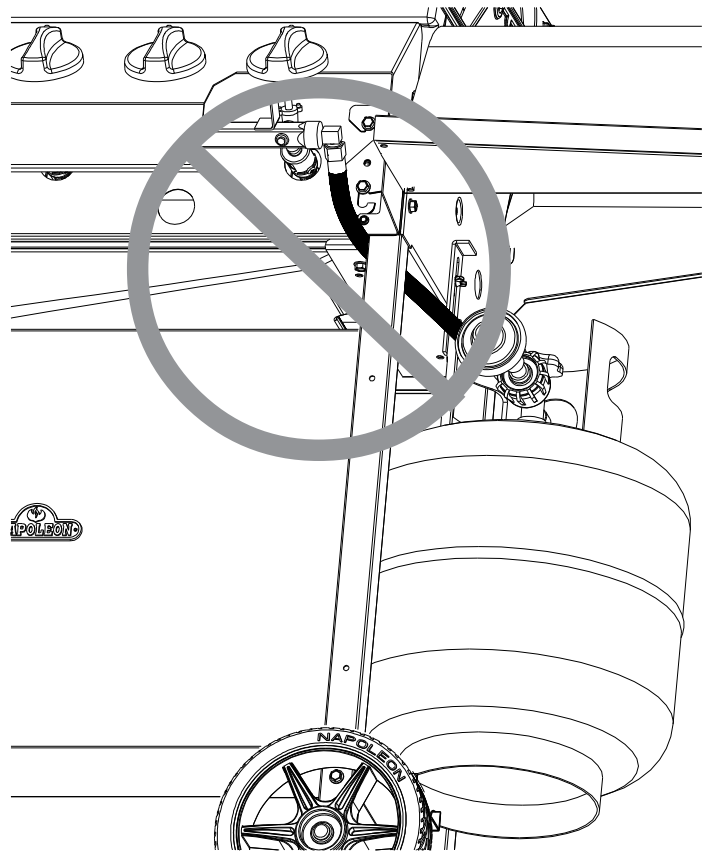
- The installation must be performed by a licensed gas fitter, and all connections must be leak tested before operating the grill.
- L'installation doit être effectuée par un installateur certifié pour le gaz et tous les raccordements doivent être testés pour des fuites avant de faire fonctionner le gril.

**PROPANE ONLY - IMPROPER HOSE CONNECTION**  
**PROPANE SEULEMENT - BRANCHEMENT INADÉQUAT DU BOYAU**



**“WARNING - FIRE HAZARD”**  
**“ATTENTION - RISQUE D’INCENDIE”**

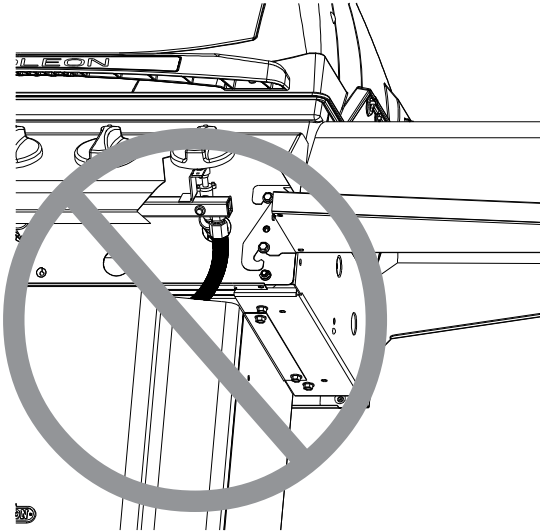
- Do not route hose over top of front panel.
- N’acheminez pas le boyau par-dessus le panneau avant.



- Ensure the hose does not contact any high temperature surfaces, or it may melt and leak causing a fire.
- Assurez-vous que le boyau ne touche à aucune surface à haute température sinon il risque de fondre, de provoquer une fuite et causer un feu.

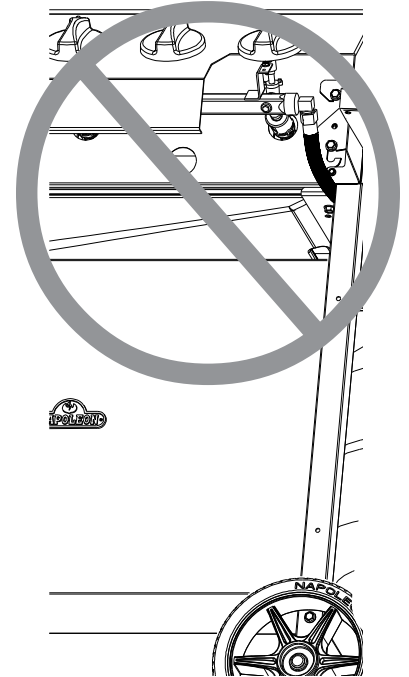
**NATURAL GAS ONLY - IMPROPER HOSE CONNECTION  
GAZ NATUREL SEULEMENT - BRANCHEMENT INADÉQUAT DU BOYAU**

**PEDESTAL MODEL  
MODÈLE SUR SOCLE**

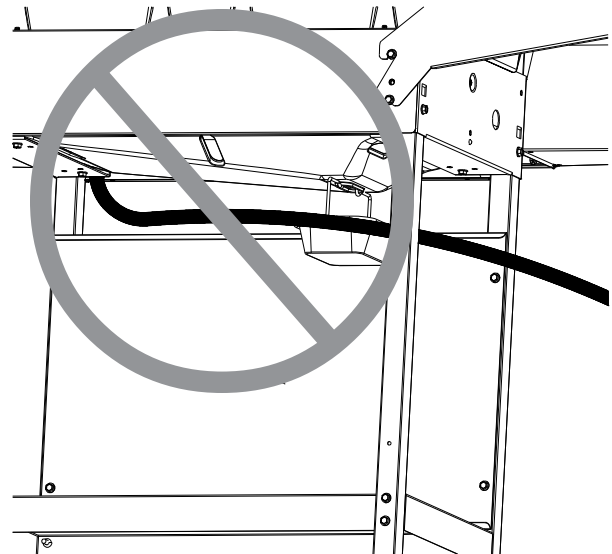


- Do not route hose over top of front panel.
- N'acheminez pas le boyau par-dessus le panneau avant.

**CART MODEL  
MODÈLE SUR CHARIOT**



- Do not route hose underneath drip pan.
- Ne pas passer le tuyau d'alimentation sous le tiroir d'égouttement afin de garder.



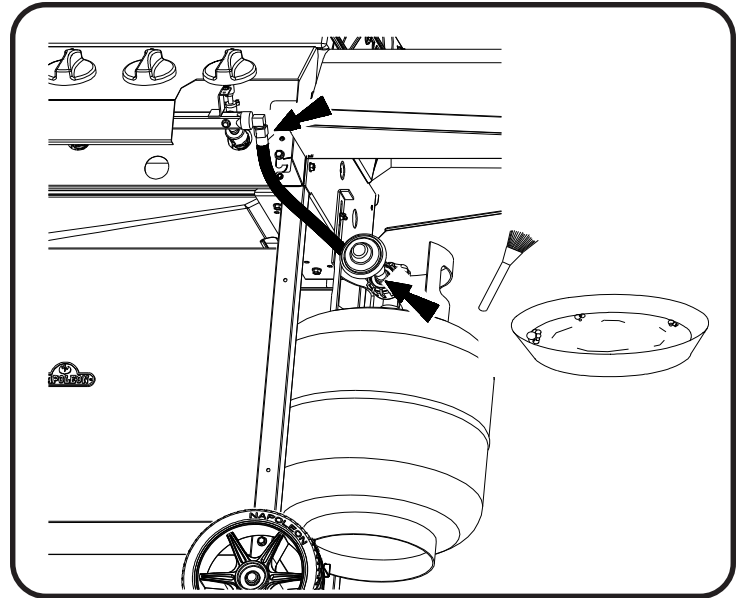
- Ensure the hose does not contact any high temperature surfaces, or it may melt and leak causing a fire.
- Assurez-vous que le boyau ne touche à aucune surface à haute température sinon il risque de fondre, de provoquer une fuite et causer un feu.

## LEAK TESTING TEST DE DÉTECTION DE FUITES

### DANGER

Do not use an open flame to check for gas leaks. Be sure there are no sparks or open flames in the area while you check for leaks. Sparks or open flames will result in a fire or explosion, damage to property, serious bodily injury or death.

N'utilisez pas une flamme nue pour vérifier pour des fuites de gaz. Assurez-vous qu'il n'y ait aucune étincelle ni flamme nue à proximité de l'endroit à vérifier. Les étincelles ou les flammes nues provoqueront un feu ou une explosion, causant des dommages matériels, des blessures graves ou des pertes de vie.

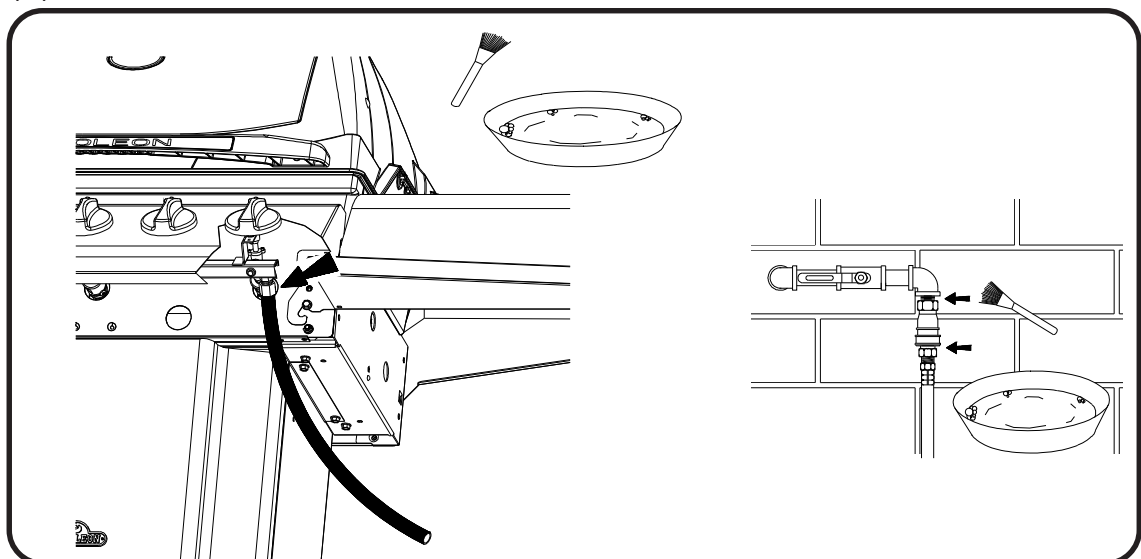


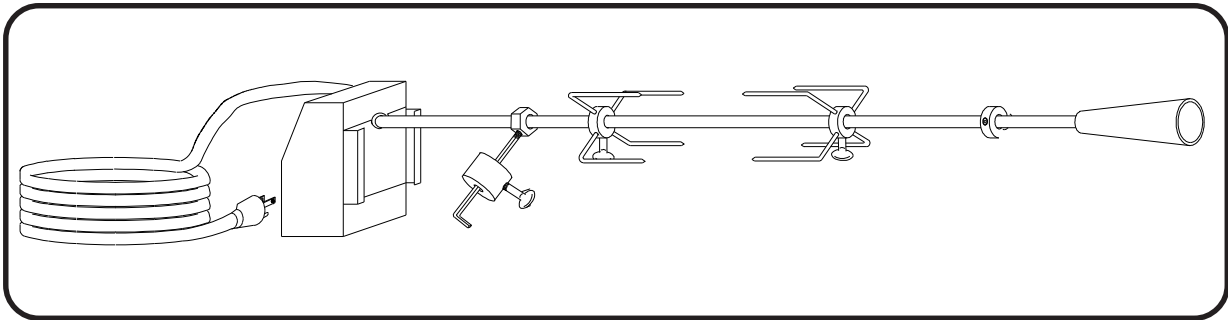
**LEAK TESTING:** This must be done before initial use, annually and whenever any gas components are replaced or serviced. Do not smoke while performing this test, and remove all sources of ignition. See *Leak Testing Diagram* for areas to check.

1. Turn all burner controls to off. Turn supply valve on.
2. Brush a half and half solution of liquid soap and water onto all joints and connections of the regulator, hose, manifolds and valves.
3. Bubbles will indicate a gas leak. Either tighten the loose joint or have the part replaced with one recommended by the customer care department.
4. If the leak cannot be stopped, shut off the gas supply, disconnect it and have the barbecue inspected by your gas supplier or dealer. Do not use the appliance until the leak has been corrected.
5. Turn off gas supply.

**TEST DE FUITES:** Il doit être fait avant la première utilisation, annuellement et à chaque fois qu'une pièce du système de gaz est remplacée ou réparée. Ne fumez pas et enlevez toutes sources d'allumage lorsque vous faites ce test. Consultez le schéma de test de fuites pour voir les endroits à tester.

- 1 - Fermez tous les boutons des brûleurs. Ouvrez la soupape de la bonbonne.
- 2 - Appliquez une solution de deux parts égales de savon liquide et d'eau sur tous les joints du régulateur, le tuyau et ses raccords.
- 3 - Des bulles indiqueront une fuite de gaz. Resserrez le joint ou remplacez la pièce avec une autre recommandée par le détaillant.
- 4 - Si la fuite ne peut être réparée, fermez l'alimentation de gaz à la bonbonne, enlevez-la et faites inspecter votre grill par votre fournisseur de gaz ou détaillant. N'utilisez pas l'appareil jusqu'à ce que la fuite soit réparée.
- 5 - Fermez la soupape de la bonbonne.





# NOTES

# PARTS LIST / LISTE DE PIÈCES

ITEM	PART #	DESCRIPTION	U405	U405RB	UP405RB
1	n135-0027p	lid casting / moulage du couvercle	x	x	x
2	n335-0031	lid insert / couvercle	ac	x	x
3	n685-0003	temperature gauge / jauge de température	x	x	x
4	n325-0051	lid handle / poignée du couvercle	x	x	x
5	n570-0056	lid pivot screw / vis du pivot	x	x	x
7	n520-0011k	warming rack / grille - réchaud	x	x	x
8	n200-0056	rear burner cover (infra red) / boîtier du brûleur arrière (infra-rouge)		x	x
9	n100-0027	rear burner / brûleur arrière		x	x
10	n200-0055p	rear cover / boîtier arrière			x
11	n305-0044	cooking grill / grille de cuisson	x		
	n305-0065	cooking grill / grille de cuisson		x	x
12	n305-0041	sear plate left and right / plaque de brûleur gauche et droite	x	x	x
13	n100-0021	main burner left and right / brûleur principal gauche et droite	x	x	x
14	n100-0022	main burner centre / brûleur principal centrale	x	x	x
	n350-0054	collector box - main burner / boîte du collecteur du brûleur principal	x	x	x
	n240-0016	main burner electrode / électrode du brûleur principal	x	x	x
15	n135-0029p	base casting / cuve	x	x	x
16	n080-0111p	base mounting brackets / supports de la cuve	x	x	x
17	n585-0018p	heatshield / pare chaleur	x	x	x
18	n590-0159	stainless steel side shelf, left / tablette latérale en acier inoxydable, gauche			x
19	n120-0004	luxidio side shelf end cap, left / embout en luxidio de le tablette latéral, gauche			x
20	n570-0076	#8 x 1/2" screw / #8 x 1/2" vis			x
21	n590-0163	stainless steel side shelf, right / tablette latérale en acier inoxydable, gauche			x
22	n120-0005	luxidio side shelf end cap, right / embout en luxidio de le tablette latéral, gauche			x
23	n570-0008	#8 x 1/2 screw / #8 x 1/2 vis	x	x	x
24	n080-0019p	top tank support / support supérieur de la bonbonne	p	p	
	n570-0065	thumbscrew 1/4-20 / vis 1/4-20	p	p	
25	n475-0201	control panel / panneau de contrôle	x		
	n475-0202	control panel / panneau de contrôle		x	x
26	n570-0028	shoulder screw #14 x 1/2" / vis #14 x 1/2	x	x	x
27	n357-0013	electronic ignition / allumeur électronique	x	x	x
28	n380-0012	control knob / bouton de contrôle	x	x	x
29a	n010-0333	manifold assembly / ensemble du collecteur	p		
29b	n010-0334	manifold assembly / ensemble du collecteur	n		
29c	n010-0335	manifold assembly / ensemble du collecteur		p	p
29d	n010-0336	manifold assembly / ensemble du collecteur		n	n
30	n160-0010	grease tray holder / support du récipient à graisse	x	x	x
31	62007	5 replacement grease trays / ensemble de 5 récipient à graisse	ac	ac	ac
32	n075-0074p	leg / patte	x	x	
33	n570-0026	#14 x 1/2 screw / #14 x 1/2 vis	x	x	x
34	n080-0124	low er tank support / support inférieur de la bonbonne	p	p	
35	n745-0007	w heel - each / roue (unité)	x	x	x
36	n485-0011	clevis pin / clavette en U	x	x	
37	n485-0012	cotter pin / clavette d'arrêt	x	x	
38	n475-0119	front cart panel / panneau avant du chariot	ac	x	
39	n590-0095p	bottom shelf / tablette du bas	x	x	
	n570-0027	#14 x 2 screw / #14 x 2 vis	x	x	
40	n370-0053	caster assembly - each / ensemble de roulettes (unité)	x	x	x
41	n015-0002	axle / essieu			x
42	n010-0360p	tank support / support du bonbonne			p
43	n450-0023	axle cap / enjoliveur			x
44	n010-0359p	bottom shelf / tablette du bas			x
45	n570-0026	#14 x 1/2 screw / #14 x 1/2 vis			x

x - standard  
x - compris

p - propane units only  
n - natural gas units only  
ac - accessory

p - appareils propane seulement  
n- appareils gaz naturel seulement  
ac - accessoires

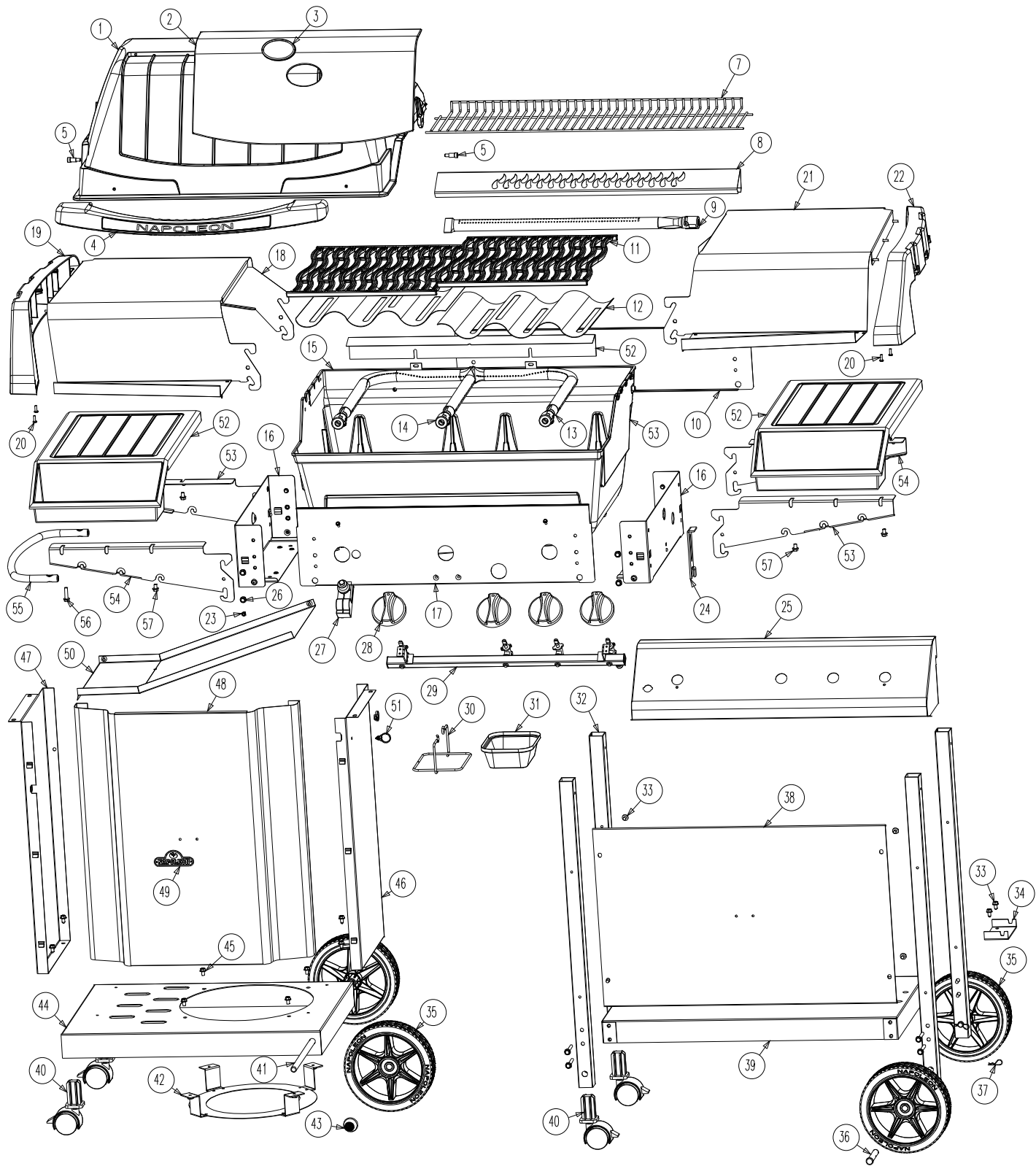


ITEM	PART #	DESCRIPTION	U405	U405RB	UP405RB
46	n495-0020p	pedestal, right side / socle droite			x
47	n495-0019p	pedestal, left side / socle gauche			x
48	n495-0021	pedestal, front / socle avant			x
49	n385-0110	NAPOLEON logo / logo NAPOLEON	x	x	x
50	n585-0023p	tank heatshield / écran de chaleur			p
51	n160-0002	hose clip / support de tuyau			x
52	n590-0049	Solido side shelf / tablette latérale en Solido	x	x	
	n200-0054	burner grease shield/pare chaleur brûleur	x	x	x
53	n080-0113p	side shelf bracket - right / support de la tablette latérale - droite	x	x	
54	n080-0112p	side shelf bracket - left / support de la tablette latérale - gauche	x	x	
55	n030-0001p	towel bar / support du crochet	x	x	
56	n570-0036	1/4-20 x 1 screw / 1/4-20 x 1 vis	x	x	
57	n570-0029	1/4-20 x 3/8 screw / 1/4-20 x 3/8 vis	x	x	
	n720-0035	rear burner supply tube / tuyau d'alimentation brûleur arrière		x	x
	n530-0003	1-outlet regulator / ensemble de tuyau de régulateur à 1 sortie	p	p	
	n530-0005	1-outlet regulator / tuyau de régulateur à 1 sortie			p
	n345-0009	16" side burner hose / tuyau brûleur latérale de 16"			ac-p
	n345-0001	10ft n/g hose w/quick disconnect / tuyau de 10 pieds avec débranchement rapide	n	n	n
	n345-0002	20" side burner hose / tuyau brûleur latérale de 20"			ac-n
	64405	rotisserie kit / ensemble de la rôtissoire	ac	ac	ac
	63161	vinyl cover / housse en vinyle	ac	ac	ac

x - standard  
x - compris

p - propane units only  
n - natural gas units only  
ac - accessory

p - appareils propane seulement  
n- appareils gaz naturel seulement  
ac - accessoires





**FAX TO: 705 727 4282**

**GOURMET GRILLS**

*Award Winning Products*

**ACCESSORIES & PARTS ORDER FORM**

PLEASE PRINT CLEARLY

CONTACT NAME: \_\_\_\_\_

SHIP TO : \_\_\_\_\_

\_\_\_\_\_

\_\_\_\_\_

TEL : \_\_\_\_\_

FAX : \_\_\_\_\_

EMAIL: \_\_\_\_\_

VISA OR MASTERCARD # : \_\_\_\_\_ EXPIRY DATE: \_\_\_\_\_

SIGNATURE: \_\_\_\_\_

QUANTITY	PART NUMBER	DESCRIPTION

TAXES MAY APPLY  
SHIPPING EXTRA

IF CONFIRMATION IS REQUIRED PLEASE INCLUDE A FAX NUMBER OR EMAIL ADDRESS

