

- EN** Installation, Operation and maintenance Instructions  
**FR** Instructions d'installation, d'utilisation et d'entretien  
**ES** Instrucciones de instalación, operación y mantenimiento

## Beer Dispensers Distributeurs de bière Dispensadores de cerveza

**ML24BN**  
**ML24BS**  
**ML24BT**



# CONTENTS

## Contents:

Safety information .....	2
Unpacking your appliance .....	3
Warranty registration .....	3
Installing your appliance .....	4
Cabinet clearances .....	4
Leveling the appliance .....	4
Electrical connection .....	5
Installing the anti-tip device .....	6
Product dimensions ML24BN .....	8
Product dimensions ML24BS and ML24BT .....	9
Product dimensions ML24BSSM and ML24BTSM .....	10
Using your Electronic control .....	11
Starting your appliance .....	11
Sleep mode .....	11
Turning your appliance "ON" or "OFF" .....	11
Adjusting the temperature .....	12
Temperature mode .....	12
Control lock .....	12
Alarms .....	12
Door ajar .....	12
Power failure .....	13
Temperature alarm .....	13
Vacation mode .....	13
Overlay door panel installation .....	14
Using your beer dispenser.....	19
Shelving .....	19
Tap equipment and assembly.....	20
Externally mounting CO <sub>2</sub> tank .....	24
CO <sub>2</sub> regulator .....	25
Drain kit .....	26
Care and cleaning .....	26
Cleaning the drain sump .....	26
Tap cleaning kit .....	27
Faucet cleaning .....	27
Keg coupler cleaning .....	27
Front grille .....	28
Cabinet .....	28
Interior .....	28
Energy saving tips .....	28
Door alignment .....	29
Obtaining service .....	29
Troubleshooting .....	30
Warranty .....	31

## Important Safety Instructions

Warnings and safety instructions appearing in this guide are not meant to cover all possible conditions and situations that may occur. Common sense, caution, and care must be exercised when installing, maintaining, or operating this appliance.

## Recognize Safety Symbols, Words, and Labels.



**WARNING**

**WARNING** - You can be killed or seriously injured if you do not follow these instructions.



**CAUTION**

**CAUTION**-Hazards or unsafe practices which could result in personal injury or property / product damage.

**NOTE**

**NOTE**-Important information to help assure a problem free installation and operation.

State of California Proposition 65 Warnings:

**WARNING:** This product contains one or more chemicals known to the State of California to cause cancer.

**WARNING:** This product contains one or more chemicals known to the State of California to cause birth defects or other reproductive harm..



**AGA MARVEL** is committed to building a quality product in an environmentally friendly manner. Our processes are tightly controlled and closely monitored. We have achieved certifications in ISO 9001 for quality assurance, ISO 14001 for environmental management, and OHSAS 18001 for occupational health and safety from Lloyd's Register Quality Assurance.

# UNPACKING YOUR APPLIANCE



## WARNING

### EXCESSIVE WEIGHT HAZARD

Use two or more people to move product.  
Failure to do so can result in personal injury.

### Remove Interior Packaging

Your appliance has been packed for shipment with all parts that could be damaged by movement securely fastened. Remove internal packing materials and any tape holding internal components in place. The owners manual is shipped inside the product in a plastic bag along with the warranty registration card, and other accessory items.

### Important

Keep your carton and packaging until your appliance has been thoroughly inspected and found to be in good condition. If there is damage, the packaging will be needed as proof of damage in transit. Afterwards please dispose of all items responsibly.



## CAUTION

Dispose of the plastic bags which can be a suffocation hazard.

### Note to Customer

This merchandise was carefully packed and thoroughly inspected before leaving our plant. Responsibility for its safe delivery was assumed by the retailer upon acceptance of the shipment. Claims for loss or damage sustained in transit must be made to the retailer.

## NOTE

DO NOT RETURN DAMAGED MERCHANDISE TO THE MANUFACTURER - FILE THE CLAIM WITH THE RETAILER.



## CAUTION

If the appliance was shipped, handled, or stored in other than an upright position for any period of time, allow the appliance to sit upright for a period of at least 24 hours before plugging in. This will assure oil returns to the compressor. Plugging the appliance in immediately may cause damage to internal parts.

### Warranty Registration

It is important you send in your warranty registration card immediately after taking delivery of your appliance or you can register online at [www.agamarvel.com](http://www.agamarvel.com).

The following information will be required when registering your appliance.

Service Number

Serial Number

Date of Purchase

Dealer's name and address

Online registration  
available at  
[www.agamarvel.com](http://www.agamarvel.com)

The service number and serial number can be found on the serial plate which is located inside the cabinet on the left side near the top. (See figure 1).

AGA MARVEL	
GREENVILLE, MI 48838	
MODEL NO.	<input type="text"/>
SERVICE NO.	<input type="text" value="XXXXXXXXXX"/>
SERIAL NO.	<input type="text" value="XXXXXXXXXX"/>
HZ <input type="text"/>	VOLTS <input type="text"/>
AMPS <input type="text"/>	R134A <input type="text"/>
oz	
TEST PRESSURE 140 PSI LOW SIDE 300 PSI HIGH SIDE	

Figure 1



## CAUTION

### Help Prevent Tragedies

Child entrapment and suffocation are not problems of the past. Junked or abandoned refrigerators are still dangerous - even if they sit out for "just a few days".

If you are getting rid of your old refrigerator, please follow the instructions below to help prevent accidents.

Before you throw away your old refrigerator or freezer:

- Take off the doors or remove the drawers.
- Leave the shelves in place so children may not easily climb inside.

# INSTALLING YOUR APPLIANCE

## Select Location

The proper location will ensure peak performance of your appliance. We recommend a location where the unit will be out of direct sunlight and away from heat sources. To ensure your product performs to specifications, the recommended installation location temperature range is from 55 to 100°F (13 to 38°C).

## Cabinet Clearance

Ventilation is required from the bottom front of the appliance. Keep this area open and clear of any obstructions. Adjacent cabinets and counter top can be installed around the appliance as long as the front grille remains unobstructed. Overlay door models with articulated hinges are intended for built-in applications only.

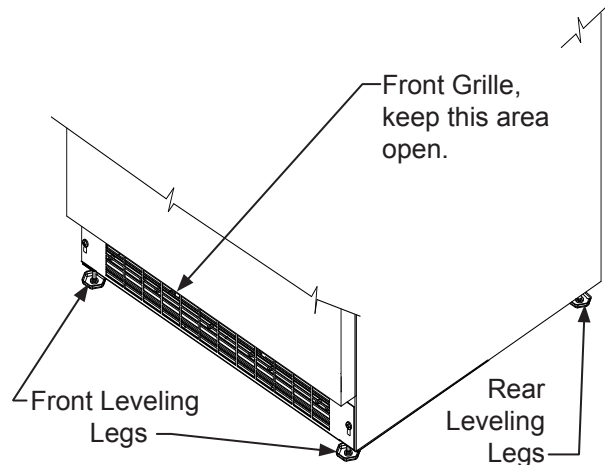


Figure 2

## Leveling Legs

Adjustable legs at the front and rear corners of the appliance should be set so the unit is firmly positioned on the floor and level from side to side and front to back. The overall height of your Marvel appliance may be adjusted higher (by turning the leveling leg out, CCW) and lower (by turning the leveling leg in, CW) dimensions as shown in Table "A".

To adjust the leveling legs, place the appliance on a solid surface and protect the floor beneath the legs to avoid scratching the floor. With the assistance of another person, lean the appliance back to access the front leveling legs. Raise or lower the legs to the required dimension by turning the legs. Repeat this process for the rear by tilting the appliance forward using caution. On a level surface check the appliance for levelness and adjust accordingly.

The front grille screws may be loosened and the grille adjusted to the desired height. When adjustment is complete tighten the two front grille screws. (See Figure 3).



## Front Grille

Do not obstruct the front grille. The openings within the front grille allow air to flow through the condenser heat exchanger. Restrictions to this air flow will result in increased energy usage and loss of cooling capacity. For this reason it is important this area not be obstructed and the grille openings kept clean. AGA MARVEL does not recommend the use of a custom made grille as air flow may be restricted. (See Figure 2).

Model	Minimum Height	Maximum Height
ML24BNS ML24BSS ML24BTS	33 ¾" (85.7 cm)	34 ¾" (88.3 cm)
ML24BNP ML24BSP ML24BTP	34" (86.4 cm)	35" (88.9 cm)

Table A

## INSTALLING YOUR APPLIANCE

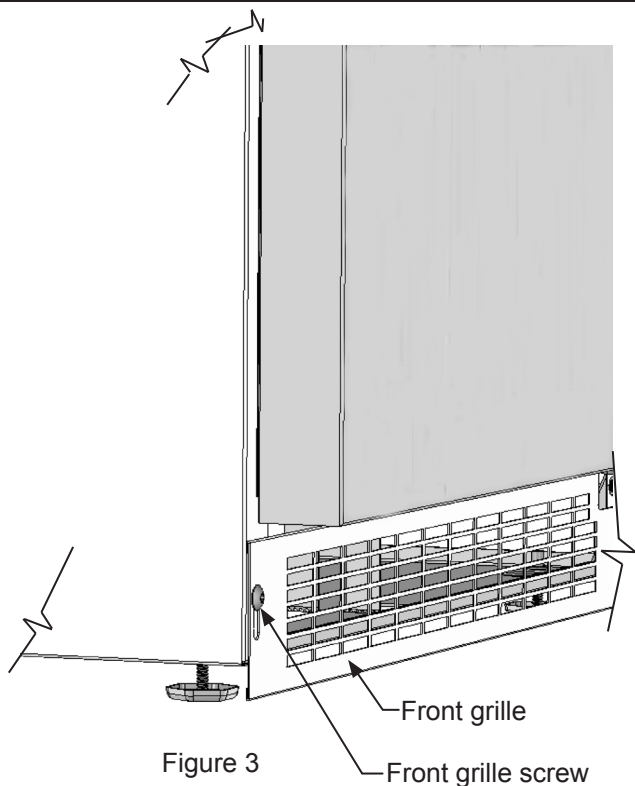


Figure 3

Front grille

Front grille screw



### WARNING

#### Electrical Shock Hazard

- Do not use an extension cord with this appliance. They can be hazardous and can degrade product performance.
- This appliance should not, under any circumstances, be installed to an un-grounded electrical supply.
- Do not remove the grounding prong from the power cord.
- Do not use an adapter.
- Do not splash or spray water from a hose on the appliance. Doing so may cause an electrical shock, which may result in severe injury or death.

#### Electrical Connection

A grounded 115 volt, 15 amp dedicated circuit is required.

This product is factory equipped with a power supply cord that has a three-pronged, grounded plug. It must be plugged into a mating grounding type receptacle in accordance with the National Electrical Code and applicable local codes and ordinances (see Figure 4). If the circuit does not have a grounding type receptacle, it is the responsibility and obligation of the customer to provide the proper power supply. The third ground prong should not, under any circumstances, be cut or removed.

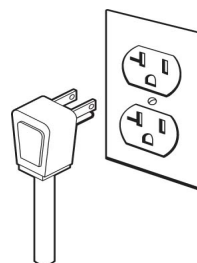


Figure 4

### NOTE

Ground Fault Circuit Interrupters (GFCI) are prone to nuisance tripping which will cause the appliance to shut down. GFCI's are generally not used on circuits with power equipment that must run unattended for long periods of time, unless required to meet local building codes and ordinances.

# INSTALLING THE ANTI TIP DEVICE

**WARNING**

- ALL APPLIANCES CAN TIP RESULTING IN INJURY.
- INSTALL THE ANTI-TIP BRACKET PACKED WITH THE APPLIANCE.
- FOLLOW THE INSTRUCTIONS BELOW

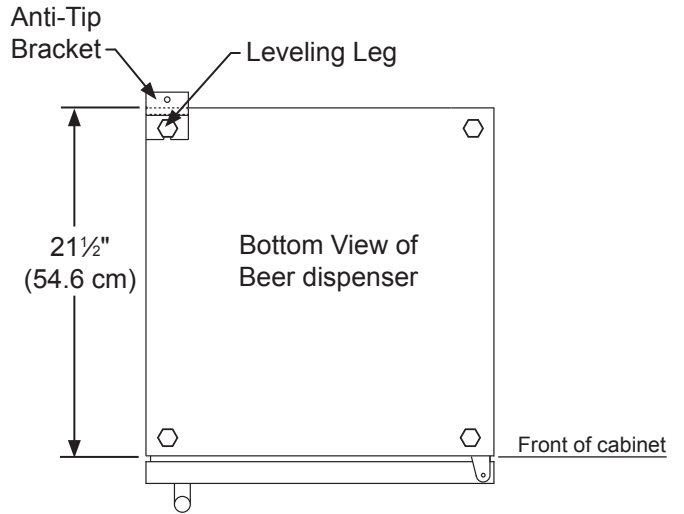


Figure 5

## Anti-Tip Device

**CAUTION**

If your beer dispenser is not located under a counter top (free standing), you must use an anti-tip device installed as per these instructions. If the beer dispenser is removed from its location for any reason, make sure that the device is properly engaged when you push the beer dispenser back into the original location. If the device is not properly engaged, there is a risk of the beer dispenser tipping over, with the potential for property damage or personal injury.

**NOTE**

If installing on a concrete floor, concrete fasteners are required, (not included with the anti-tip kit).

**CAUTION**

Any finished flooring should be protected with appropriate material to avoid damage when moving the unit.

## Floor Mount Installation

The anti-tip bracket is to be located on the floor in the left or right rear corner of the beer dispenser as shown in Figure 5.

## Step by step instructions for locating the position of the bracket:

1) Decide where you want to place the beer dispenser. Slide it into place, being careful not to damage the floor, leaving 1" (2.5 cm) of clearance from the rear wall to allow room for the anti-tip bracket.

2) Raise the rear leveling legs approximately 1/4" (6 mm) to allow engagement with the anti-tip bracket. Level the unit by adjusting all the leveling legs as required. Turning the leveling leg counterclockwise will raise the unit and clockwise will lower the unit.

3) Make sure the beer dispenser is in the desired location, then mark on the floor the rear and side corner of the cabinet where the anti-tip bracket will be installed. If the installation does not allow marking the rear corner of the cabinet, then make temporary lines on the floor marking the front corner of the cabinet, excluding the door. Slide the beer dispenser out of the way. From the temporary line extend the sidewall line back 21 1/2" (54.6 cm) as shown in Figure 6.

4) Align the anti-tip bracket to the marks on the floor so the side of the bracket lines up with the side of the cabinet mark, and the "V" notches on the anti-tip bracket line up with the end of the 21 1/2" (54.6 cm) line (Rear of cabinet line).

5) Fasten the anti-tip bracket to the floor using the supplied screw. (See Figure 6).

6) Slide the cabinet back into position, making sure the rear cabinet leveling leg slides under the anti-tip bracket engaging the slot.

## INSTALLING THE ANTI TIP DEVICE

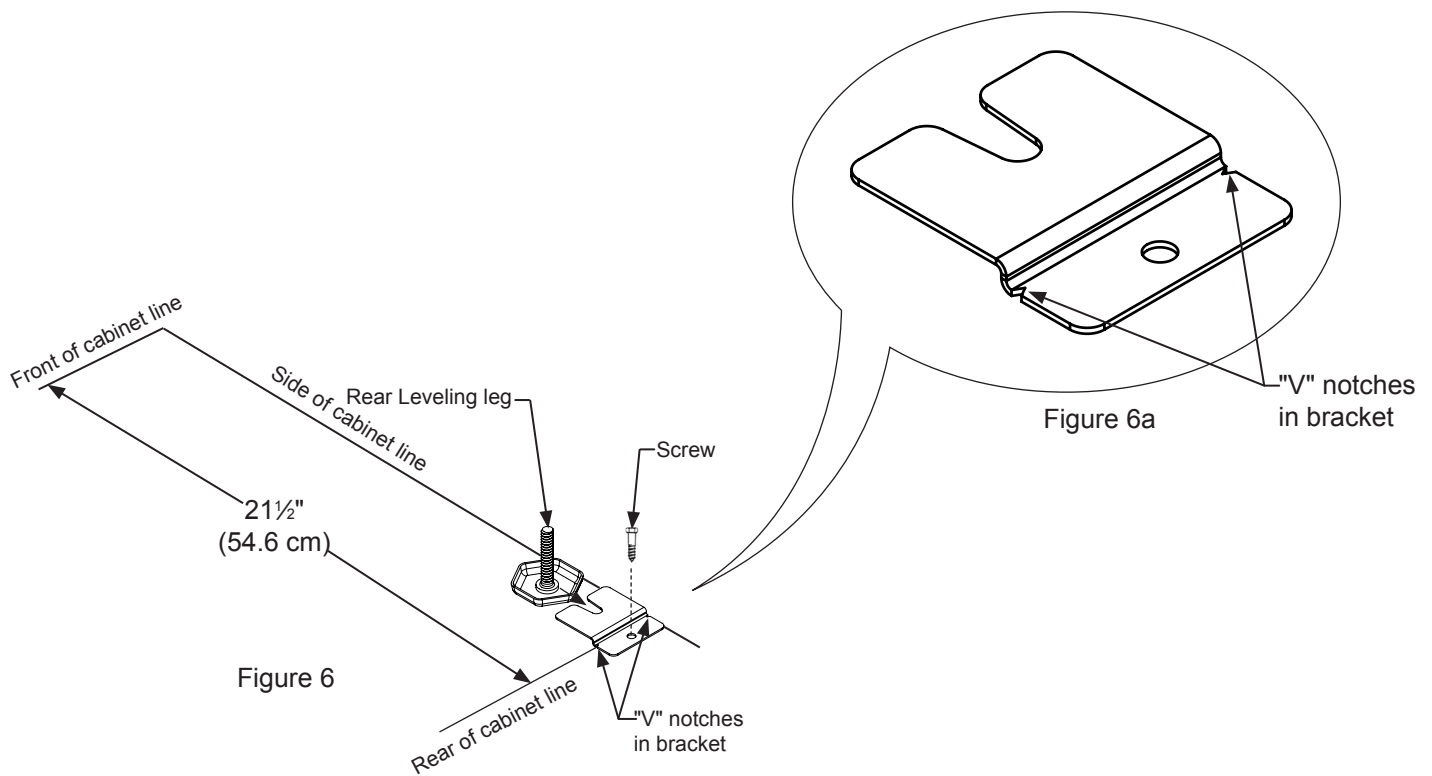


### WARNING

**TIP OVER HAZARD:** One of the rear cabinet leveling legs must be engaged under an anti-tip bracket.

### NOTE

When the floor mounted anti-tip bracket is used the minimum adjusted height of the cabinet is increased by  $\frac{3}{8}$ " (9 mm).



# PRODUCT DIMENSIONS ML24BN

MODEL	ROUGH-IN OPENING DIMENSIONS			CABINET DIMENSIONS					
	"A"	"B"	"C"	"D"	"E"	"F"	"G"	"H"	"J"
ML24BN(S)	24" (61 cm)	**34" to 35" (86.4 to 88.9 cm)	*	23 <sup>7</sup> / <sub>8</sub> " (60.7 cm)	33 <sup>3</sup> / <sub>4</sub> " to 34 <sup>3</sup> / <sub>4</sub> " (85.7 to 88.3 cm)	23 <sup>23</sup> / <sub>32</sub> " (60.2 cm)	25 <sup>2</sup> / <sub>32</sub> " (65.2 cm)	46 <sup>13</sup> / <sub>32</sub> " (117.9 cm)	25 <sup>1</sup> / <sub>16</sub> " (65.2 cm)
ML24BN(P)	24" (61 cm)	**34 <sup>1</sup> / <sub>4</sub> " to 35 <sup>1</sup> / <sub>4</sub> " (87 to 89.5 cm)	*	23 <sup>7</sup> / <sub>8</sub> " (60.7 cm)	34" to 35" (86.4 to 88.9 cm)	22 <sup>7</sup> / <sub>8</sub> " (58.1 cm)	-	46 <sup>1</sup> / <sub>2</sub> " (118.1 cm)	23 <sup>1</sup> / <sub>8</sub> " (58.7 cm)

PRODUCT DATA		
MODEL	ELECTRICAL REQUIREMENTS#	PRODUCT WEIGHT
ML24BN(S)	115V/60Hz/15A	140 lbs (63.6 kg)
ML24BN(P)	115V/60Hz/15A	140 lbs (63.6 kg)

DOOR STYLE
(S) Solid Door
(P) Solid Overlay Door (no handle)

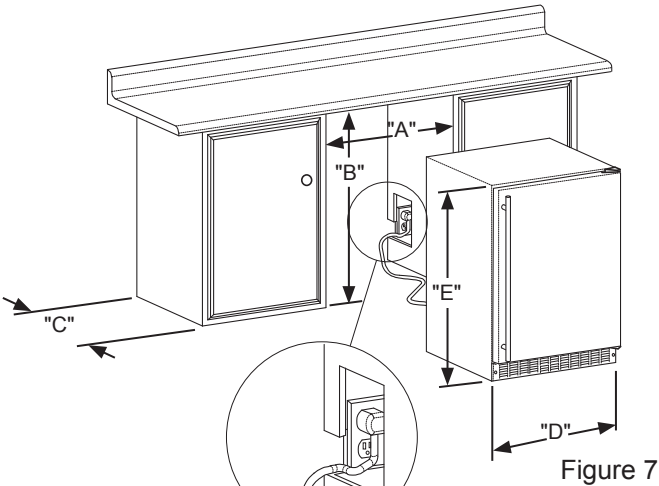


Figure 7a

If necessary to gain clearance inside the rough-in opening a hole can be cut through the adjacent cabinet and the power cord routed through this hole to a power outlet. Another way to increase the available opening depth is to recess the power outlet into the rear wall 1" (2.5 cm) to gain the thickness of the power cord plug.

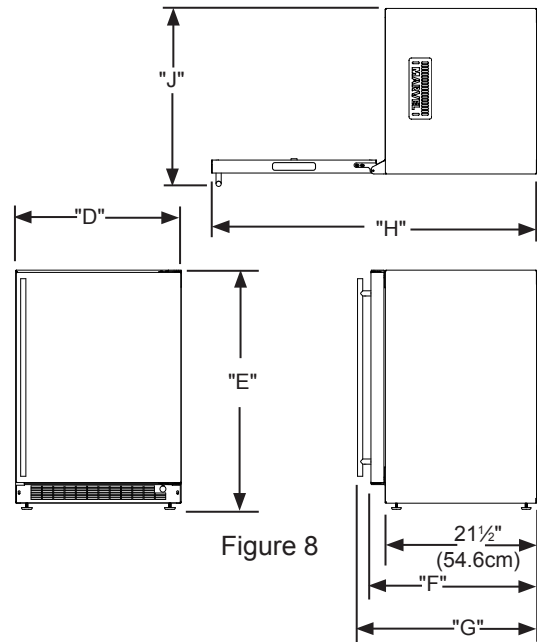


Figure 8

\* Depth dimension of rough-in opening may vary depending on each individual installation. To recess entire door "F" dimension plus 1" (2.5 cm) for thickness of power cord plug is required.

\*\* Minimum rough-in opening required is to be larger than the adjusted height of the cabinet.

# A grounded 15 amp dedicated circuit is required. Follow all local building codes when installing electrical and appliance.

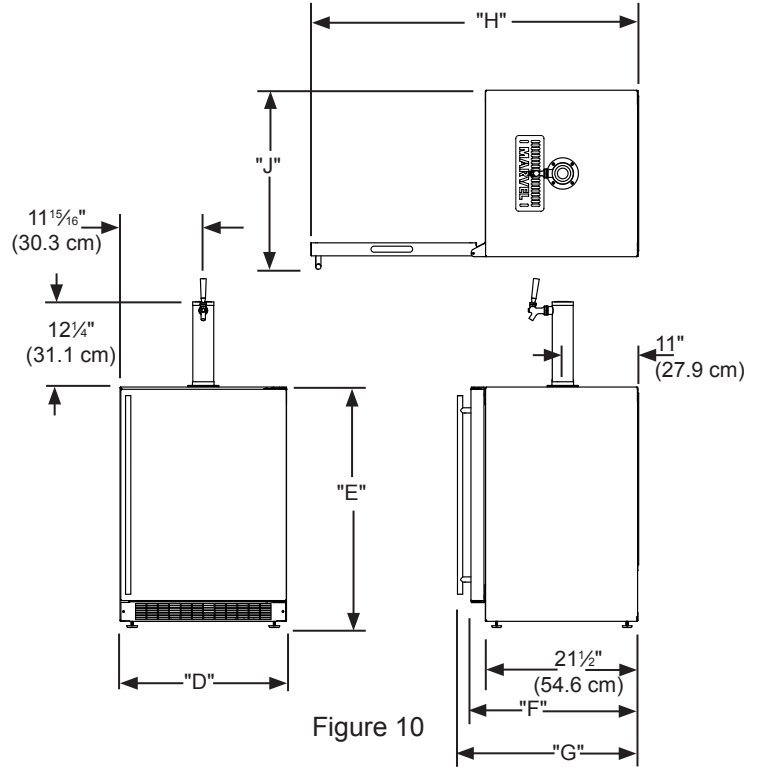
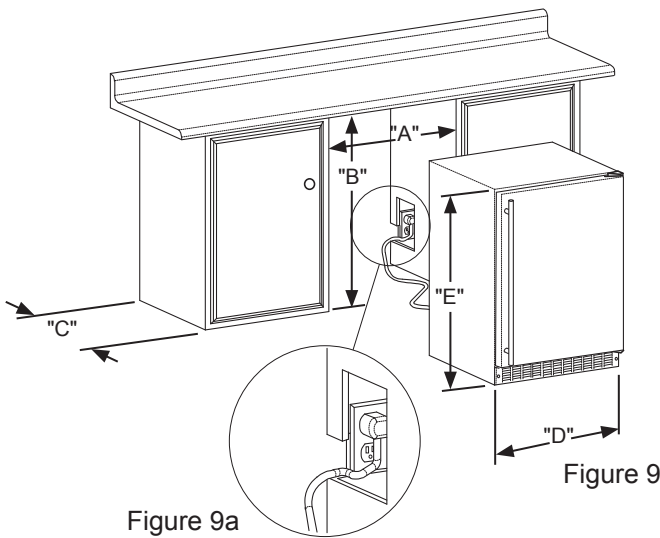


# PRODUCT DIMENSIONS ML24BS AND ML24BT

MODEL	ROUGH-IN OPENING DIMENSIONS			CABINET DIMENSIONS					
	"A"	"B"	"C"	"D"	"E"	"F"	"G"	"H"	"J"
ML24BS(S) ML24BT(S)	24" (61 cm)	**34" to 35" (86.4 to 88.9 cm)	*	23 <sup>7</sup> / <sub>16</sub> " (60.7 cm)	33 <sup>3</sup> / <sub>4</sub> " to 34 <sup>3</sup> / <sub>4</sub> " (85.7 to 88.3 cm)	23 <sup>23</sup> / <sub>32</sub> " (60.2 cm)	25 <sup>2</sup> / <sub>32</sub> " (65.2 cm)	46 <sup>13</sup> / <sub>32</sub> " (117.9 cm)	25 <sup>1</sup> / <sub>16</sub> " (65.2 cm)
ML24BS(P) ML24BT(P)	24" (61 cm)	**34 <sup>1</sup> / <sub>4</sub> " to 35 <sup>1</sup> / <sub>4</sub> " (87 to 89.5 cm)	*	23 <sup>7</sup> / <sub>16</sub> " (60.7 cm)	34" to 35" (86.4 to 88.9 cm)	22 <sup>7</sup> / <sub>16</sub> " (58.1 cm)	-	46 <sup>1</sup> / <sub>2</sub> " (118.1 cm)	23 <sup>3</sup> / <sub>16</sub> " (58.7 cm)

PRODUCT DATA		
MODEL	ELECTRICAL REQUIREMENTS#	PRODUCT WEIGHT
ML24BS(S) ML24BT(S)	115V/60Hz/15A	140 lbs (63.6 kg)
ML24BS(P) ML24BT(P)	115V/60Hz/15A	140 lbs (63.6 kg)

DOOR STYLE
(S) Solid Door
(P) Solid Overlay Door (no handle)



If necessary to gain clearance inside the rough-in opening a hole can be cut through the adjacent cabinet and the power cord routed through this hole to a power outlet. Another way to increase the available opening depth is to recess the power outlet into the rear wall 1" (2.5 cm) to gain the thickness of the power cord plug.

\* Depth dimension of rough-in opening may vary depending on each individual installation. To recess entire door "F" dimension plus 1" (2.5 cm) for thickness of power cord plug is required.

\*\* Minimum rough-in opening required is to be larger than the adjusted height of the cabinet.

# A grounded 15 amp dedicated circuit is required. Follow all local building codes when installing electrical and appliance.

# PRODUCT DIMENSIONS ML24BSSM AND ML24BTSM

Single dispense tower shown

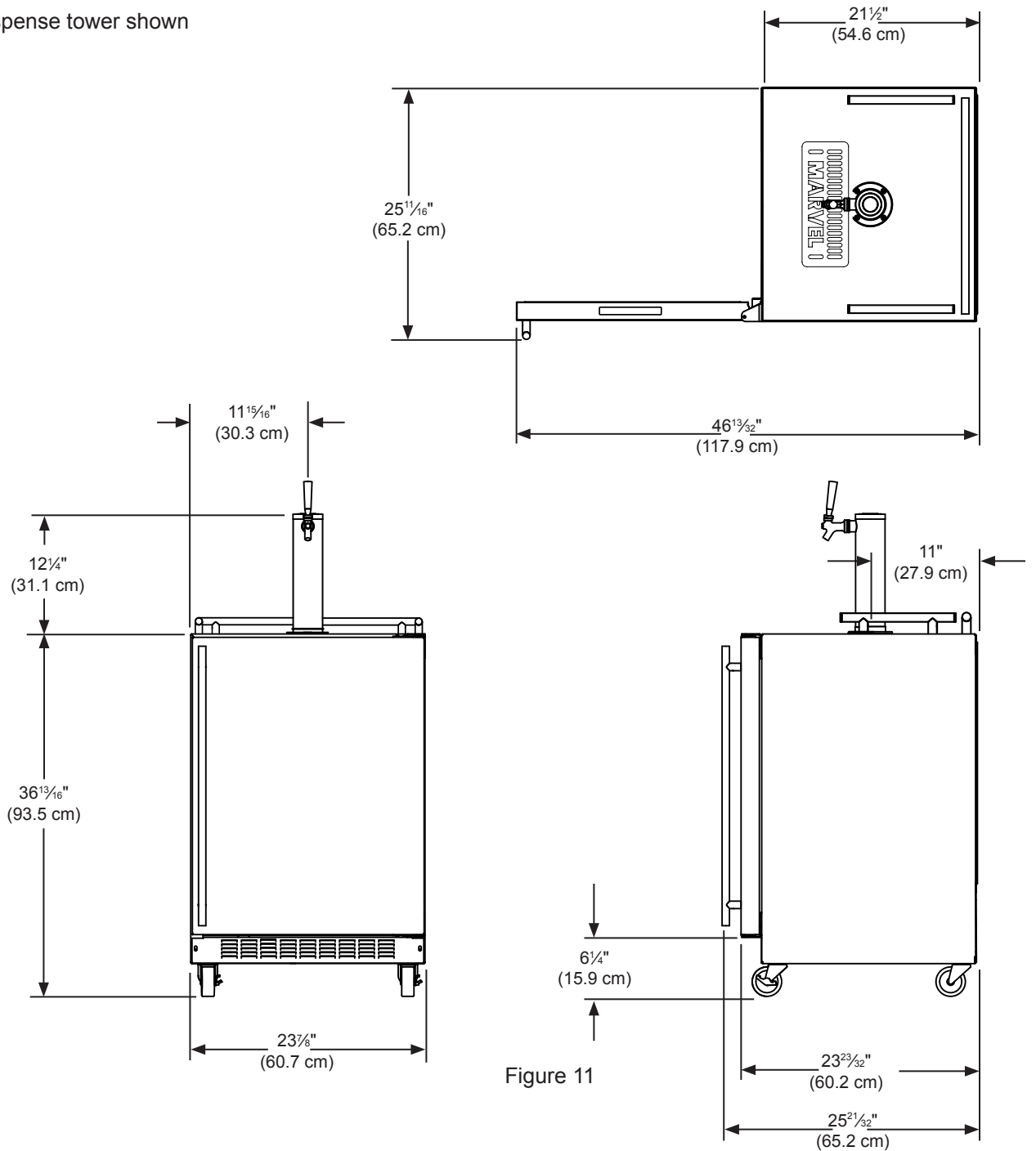


Figure 11

Electrical Requirements: A grounded 115 volt, 15 amp dedicated circuit is required.

Power outlet can be located in the back wall behind unit. Follow all local building codes when installing electrical and unit. Product weight = 150 lbs. (68.2 kg.)

# USING YOUR ELECTRONIC CONTROL

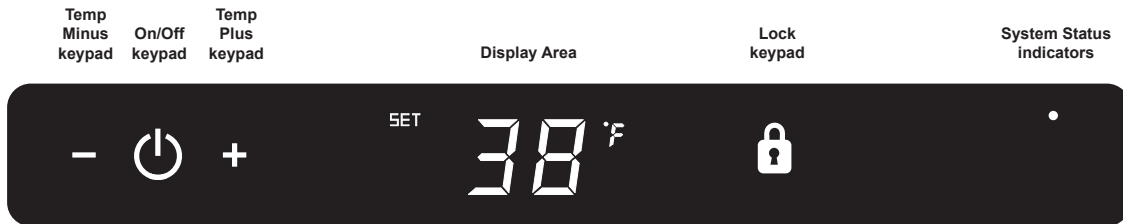


Figure 12 Electronic single zone control



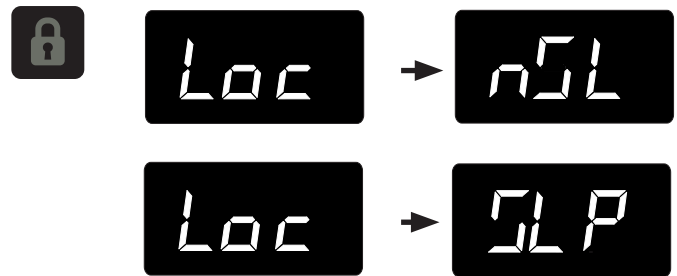
To wake the display press any keypad. A confirm tone will sound, and the current storage compartment temperature will be displayed.

## Starting your appliance:

Plug the appliance power cord into a 115 volt wall outlet. Your appliance is shipped from the factory in the "On" position and will begin start-up of cooling as soon as power is supplied. If the appliance does not start, confirm that the wall outlet has power, and that the control is in the "On" position, (See "Turning your appliance On and Off" below).

The control display is covered with a clear plastic film. This film may be removed by carefully lifting the film at a corner.

On initial power up, the control display will indicate a "Power Failure" alarm. This is a normal condition as the appliance was powered-up at the factory for quality inspection and then removed from power. A momentary press of the "On/Off" keypad will reset this alarm condition. (See Alarms section on page 12).



The sleep mode can be disabled if you prefer to have the display on continuously. Press and hold the "Lock" keypad until the display goes past "Loc" and reads "nSL". To enable the sleep mode, repeat the instruction, again going past "Loc" until the display reads "SLP".



## Sleep mode:

If no keypads are pressed for 60 seconds, the display will enter sleep mode to conserve power. The control panel will go dark with the exception of the system status "OK" indicator which will remain enabled. Alarm conditions will wake the display, (see alarms on page 12).

**To make the following changes to the control settings (turning the appliance ON/OFF, adjusting the temperature, and activating vacation mode), the control must be awake.**

## Turning your appliance ON and OFF:

If the appliance is "On", (and out of sleep mode) the temperature will be shown in the display area of the control. To turn the appliance "Off", press and hold the "On/Off" keypad for 4-seconds. "OFF" will now be displayed on the control.



To turn the appliance "On", press and hold the "On/Off" keypad for 4-seconds.

## USING YOUR ELECTRONIC CONTROL



### Adjusting the temperature:

To set or check the set-point temperature (with the control out of sleep mode), press the "-" or "+" keypads. "SET" will be indicated on the user interface panel and the current set-point temperature will display and flash. Subsequent presses of the "-" or "+" keypads will adjust the temperature colder or warmer respectively. When you have reached your desired set-point temperature, press the "On/Off" keypad to accept, or do nothing and the "Set" mode will time-out in 10-seconds accepting the displayed temperature as the new set-point.

The available set-point temperature range for your appliance is 34°F (1.2°C) to 46°F (7.9°C). If you attempt to adjust the temperature outside of this range you will receive an audible notification.



### CAUTION

If you are using the appliance as a refrigerator for perishable foods, the set-point temperature should be set between 34°F and 42°F (1.2°C and 5.7°C).

When initially loading your product with warm contents, it may take up to 48-hours for the storage compartment temperature to stabilize.

When making temperature set-point changes, it may take up to 24-hours for the stored contents to stabilize at your new set-point temperature.

Factors that affect the storage compartment stabilized temperature:

- Changes to temperature setting.
- Room temperature changes.
- Temperature of stored contents.
  - Loading warm contents.
  - Cold content load will delay the change to a warmer set-point temperature.
  - Warm content load will delay the change to a colder set-point temperature.
- Usage, (number and duration of the door openings).
- Installation of the appliance in direct sunlight or next to a heat source.

### Temperature mode:

The temperature mode is preset from the factory in Fahrenheit (°F) but you have the option to change it to Centigrade (°C). To change the mode, press and hold the "-" keypad, while pressing the "+" keypad, then release the "-" keypad. The temperature will now be displayed in Centigrade (°C). Repeat the procedure to change the temperature mode back to Fahrenheit (°F).

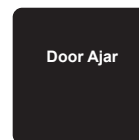


### Control lock:

The control panel can be locked to avoid unintentional changes. To lock the control, press and hold the "Lock" keypad until the display reads "Loc" then release your finger from the keypad. The lock icon will flash 3-times and then continuously illuminate. When the control panel is locked, only the Lock keypad, System Status OK indicator, and the Alarm indicator are active. To un-lock the control panel, repeat this instruction until the display reads "nLc".

### Alarms:

The control will alert you to conditions that could adversely affect the performance of the appliance.

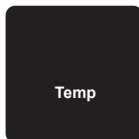


- **Door ajar** - If the door is open, or not closed properly, for more than 5-minutes the System Status OK indicator will turn-off, the "Door Ajar" indicator will flash, and a tone will sound every 60 seconds. Additionally, an "ALARM RESET" indicator will be displayed below the "On/Off" keypad. This alarm condition can be reset by closing the door or momentarily pressing the "On/Off" keypad, (i.e.-if you are cleaning the storage compartment, etc.). The alarm will recur in 5-minutes if the alarm condition persists.

## USING YOUR ELECTRONIC CONTROL



- **Power failure** - If power to the appliance is interrupted the System Status indicator will turn-off and the "Power Failure" indicator will flash. Additionally, an "ALARM RESET" indicator will be displayed below the "On/Off" keypad. No audible tone will sound. This alarm condition can be reset by momentarily pressing the "On/Off" keypad. If this alarm occurs, it is recommended that you check the condition of any perishables, even if the appliance is operating normally and the temperature has recovered, as prolonged power outages could result in excessive temperature excursions which may spoil perishables.

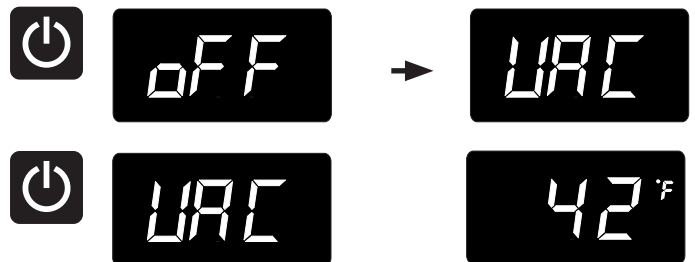


- **Temperature alarm** - If the storage compartment temperature exceeds 10°F from set-point for more than a 1-hour duration, the System Status indicator will turn off, the "Temp" indicator will flash, and an audible tone will sound every 60-seconds. Additionally, an "ALARM RESET" indicator will be displayed below the "On/Off" keypad. This alarm condition can be reset by momentarily pressing the "On/Off" keypad. If this alarm occurs it is recommended that you check the condition of your stored contents, even though the appliance is operating normally and the temperature has recovered, as prolonged temperature excursions could spoil perishables.

### Vacation mode:

This operating mode can be used to save energy during high cost energy periods, or when you won't be using your appliance for an extended period of time by disabling the lights, alarm tones, and keypad entry tones. Vacation mode also serves as a Sabbath mode, disabling functions and its controls in accordance with the weekly Sabbath and religious holidays observed within the Orthodox Jewish community. When used as Sabbath mode, you may open or close the door at any time to access contents without concern of directly turning on or off any lights, digital read-outs, solenoids, fans, valves, compressor, icons, tones, or alarms.

When activated, the display, alarm indicators and tones, keypad touch tones, interior lights, and all options are disabled. All keypad functions are disabled, with the exception of the "On/Off" keypad which is required to exit Vacation-mode. Storage compartment temperatures are monitored and controlled at the settings prior to entering Vacation mode.



To enter Vacation Mode (with the control out of sleep mode), press and hold the "On/Off" keypad until the display goes past "OFF" and reads "VAC". The display will flash "VAC" 3-times to acknowledge your request, then will display "VAC" continuously until Vacation mode is exited. A power outage will not exit Vacation mode, exiting can only be accomplished manually. To exit Vacation mode and return to normal operation, press and hold the "On/Off" keypad until the control displays the temperature.

### NOTE

Door Ajar  
Temp

Multiple alarms are possible, i.e.- "Door Ajar" for a prolonged period may trigger a "Temp" alarm, in which case both "Door Ajar" and "Temp" indicators will activate.

# OVERLAY DOOR PANEL INSTALLATION

If you purchased an overlay panel model, your unit is equipped with articulated hinges to allow fully integrated built-in installations. Custom panel thicknesses of  $\frac{5}{8}$ " (15 mm) and  $\frac{3}{4}$ " (18 mm) are accommodated.

## CAUTION

It is important to use the factory provided grille that came with the product to assure proper air flow is maintained through the condenser. The use of a custom grille is not recommended and will void the warranty.

## WARNING

Overlay panel models are designed for use with **built-in installations only**. Use in freestanding installations could result in personal injury.

### Step 1: Removing the Door

With a phillips screwdriver remove the screw and "P" clamp from the bottom of the door near the hinge. See Figure 13b.

Disconnect the door wire harness by pressing and holding down the locking tab on the wire connector and pulling the connector apart. See Figure 14.

Open the door and loosen the screws holding the hinges to the cabinet (2 at the top and 2 at the bottom hinge). Do not remove the screws but loosen them enough so the hinges can be slipped off of the screws when sliding the door to the side.

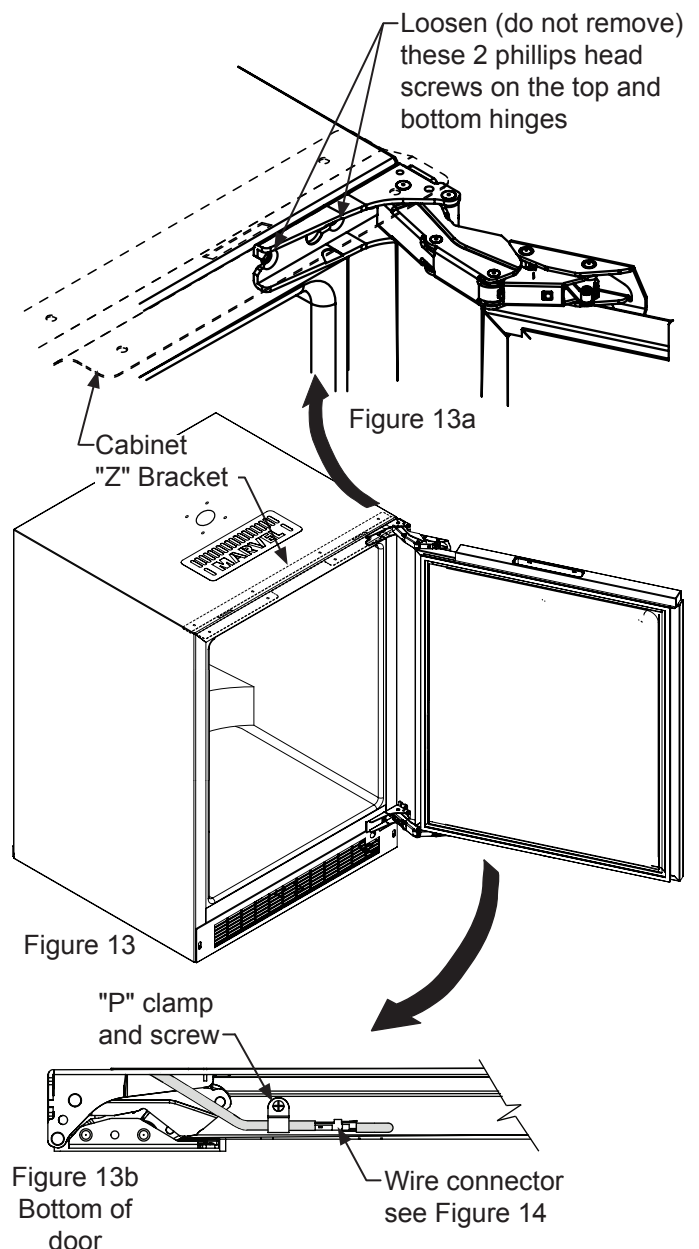
## WARNING

The articulated hinges have many pinch points. Carefully close / collapse the hinges as soon as the door is removed from the cabinet.

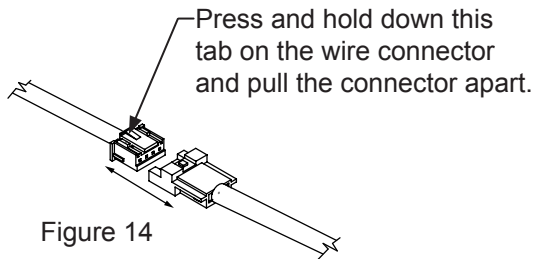
With a helper, and being careful not to scratch the cabinet or the door, slide the door to the side about  $\frac{1}{2}$  inch and remove the hinges and door from the unit.

## WARNING

Use extreme caution with the articulated hinges. The hinge is self closing and many pinch points exist prior to built-in installation. **Do not remove the cabinet "Z" bracket from the top of the cabinet.**



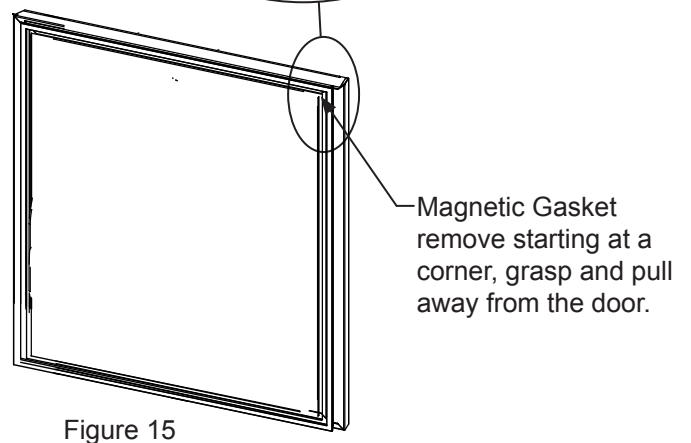
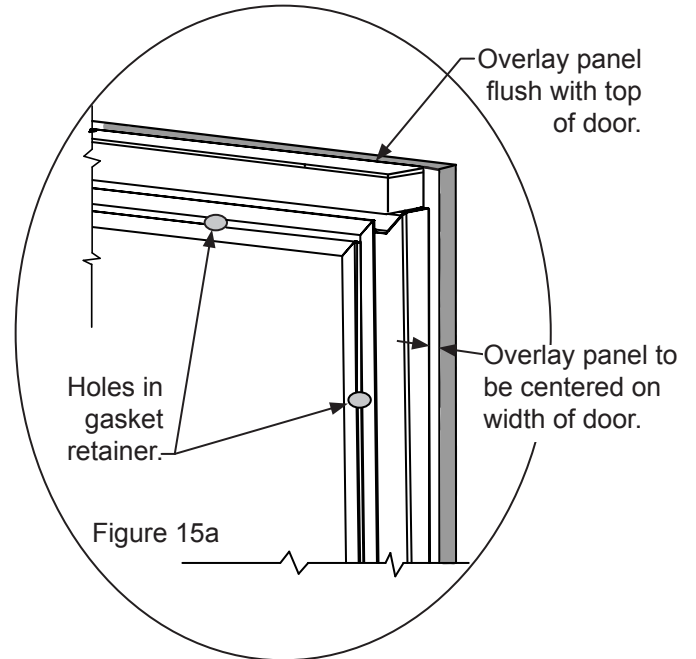
# OVERLAY DOOR PANEL INSTALLATION



## Step 2: Remove the door gasket

With the door laying on a flat surface and starting at a corner of the door remove the magnetic door gasket from the interior side of the door, see Figure 15. Set the gasket aside on a flat surface.

There are 10 holes in the gasket retainer extrusions, (3 on each side and 2 at the top and bottom which are used to fasten the panel to the front of the door. The screws are provided in the literature pack.



## Step 3: Cut and drill the overlay panel

Depending on your model cut the overlay door panel to the dimensions shown in Figures 16 and 17 for a left hand door model or Figures 18 and 19 for a right hand door model.

# OVERLAY DOOR PANEL INSTALLATION

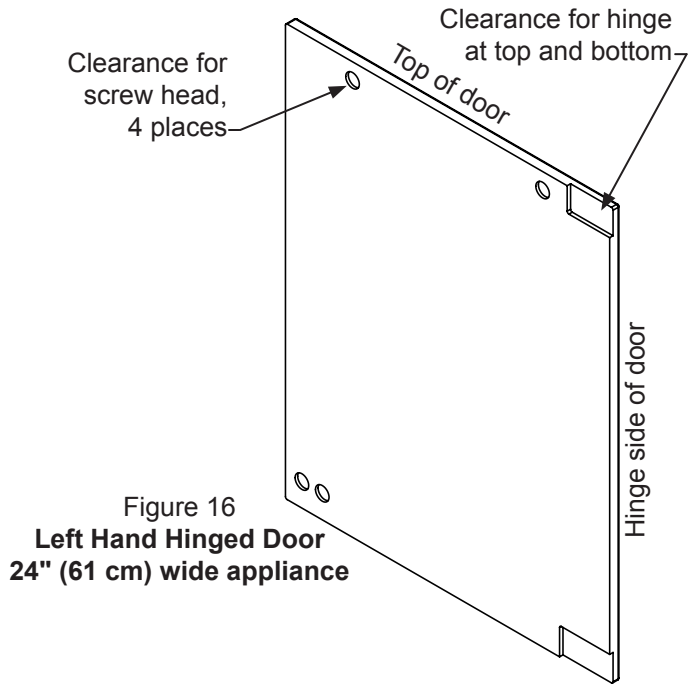


Figure 16  
Left Hand Hinged Door  
24" (61 cm) wide appliance

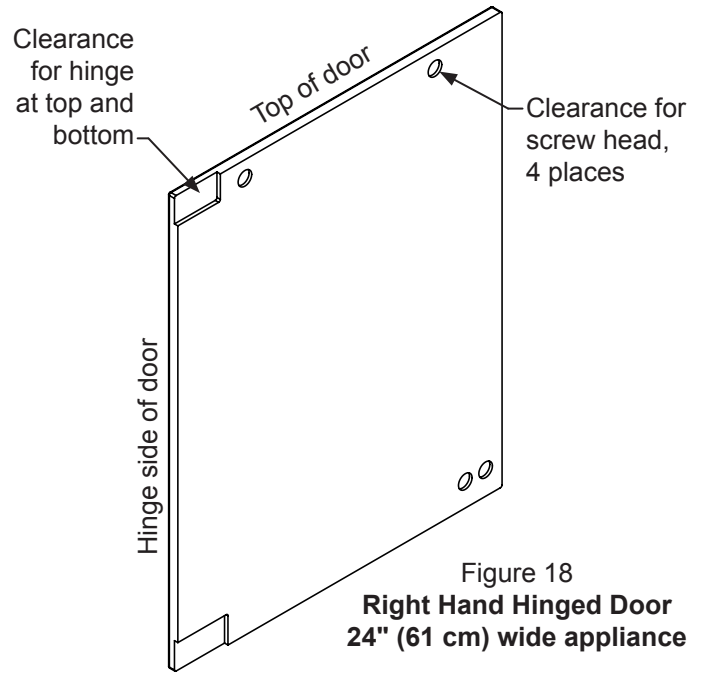


Figure 18  
Right Hand Hinged Door  
24" (61 cm) wide appliance

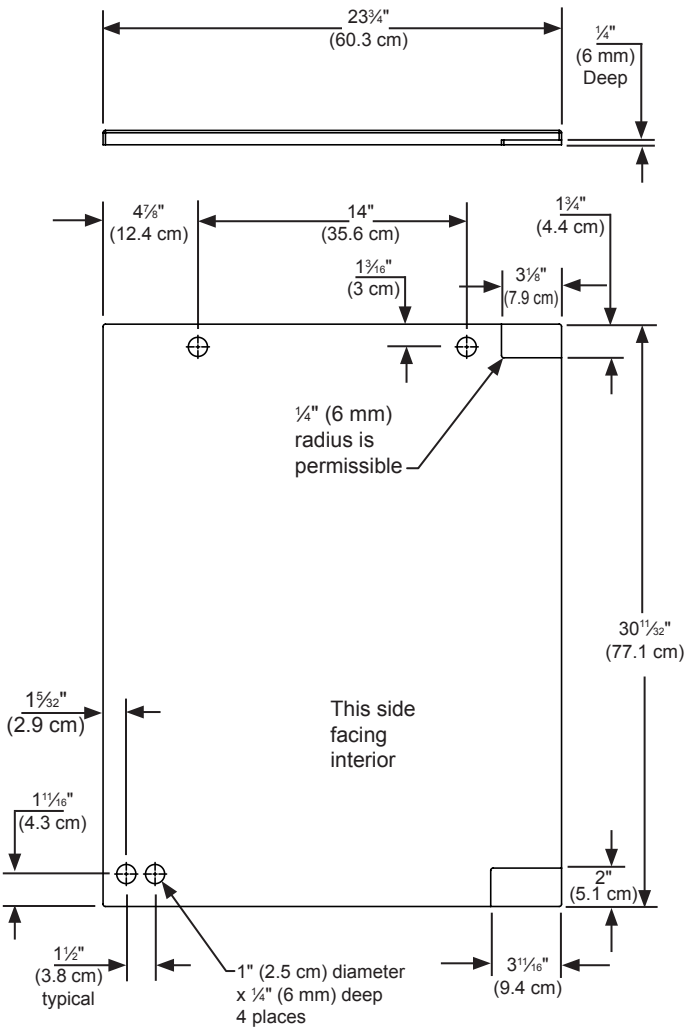


Figure 17  
Left Hand Hinged Door  
24" (61 cm) wide appliance

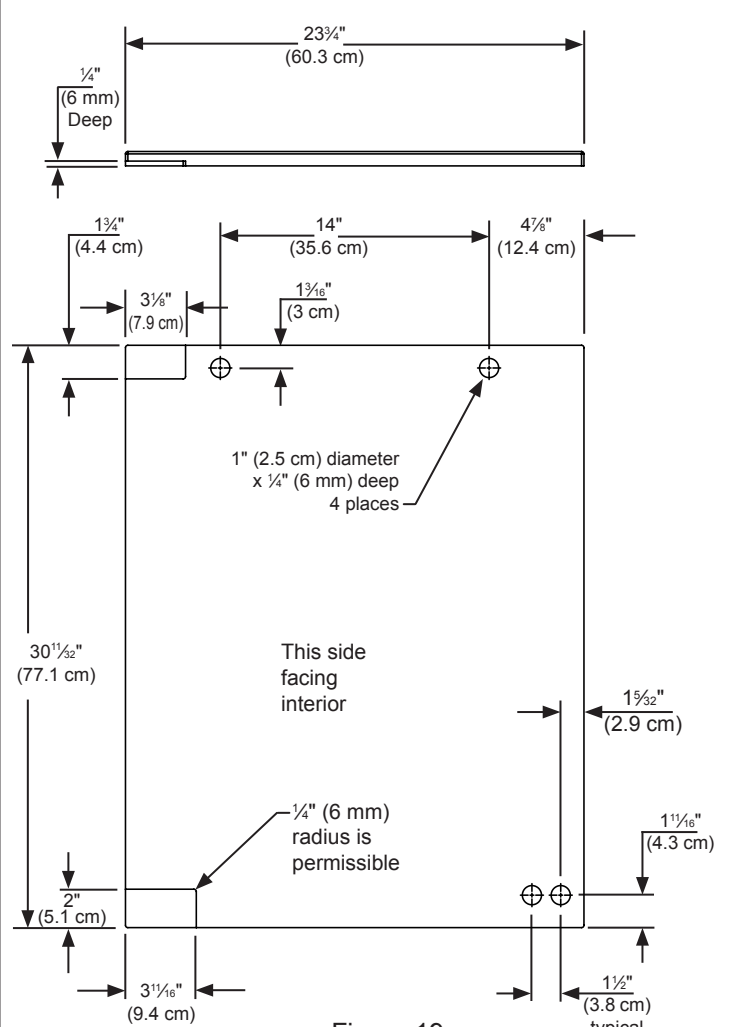


Figure 19  
Right Hand Hinged Door  
24" (61 cm) wide appliance



# OVERLAY DOOR PANEL INSTALLATION



## CAUTION

Weight of overlay door panel must not exceed 15 pounds (6.8 kg) for a solid door model.

### Step 4: Assemble the panel to the door

The preferred method of attaching the panel to the door is to clamp the panel to the door so it cannot move while drilling the screw pilot holes. Use bar clamps or "C" clamps with pads on the clamping surfaces that will not mar the panel or the door. The custom overlay panel should be flush with the top of the door and centered along the width of the door. See Figure 15a. Drill holes through the gasket extrusion using the 10 holes as pilot holes. Use the drill size from the chart in Table "B", being careful not to drill through the front surface of the panel, drill no deeper than  $\frac{1}{2}$ " (12.7 mm) deep. If the overlay panel is thinner than  $\frac{5}{8}$ " (16 mm) thick shorter screws will have to be obtained. Fasten the panel to the door with the 10 screws provided in the literature pack. (See Figure 20). Remove the clamps and replace the gasket in the gasket extrusion channels of the door. Some force may be required to seat the gasket into the channels. Be sure the gasket corners are seated properly.

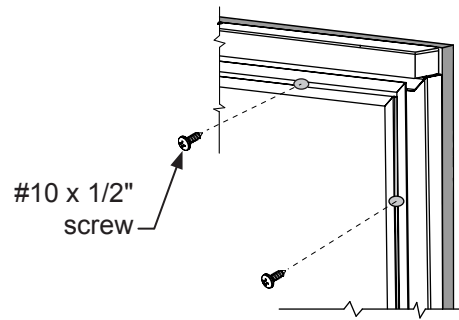


Figure 20

Material Type	#10 Wood Screw
Hardwood	$\frac{1}{8}$ " (3.2 mm) Diameter. Pilot Hole
Softwood	$\frac{7}{64}$ " (2.8 mm) Diameter. Pilot Hole

Table B

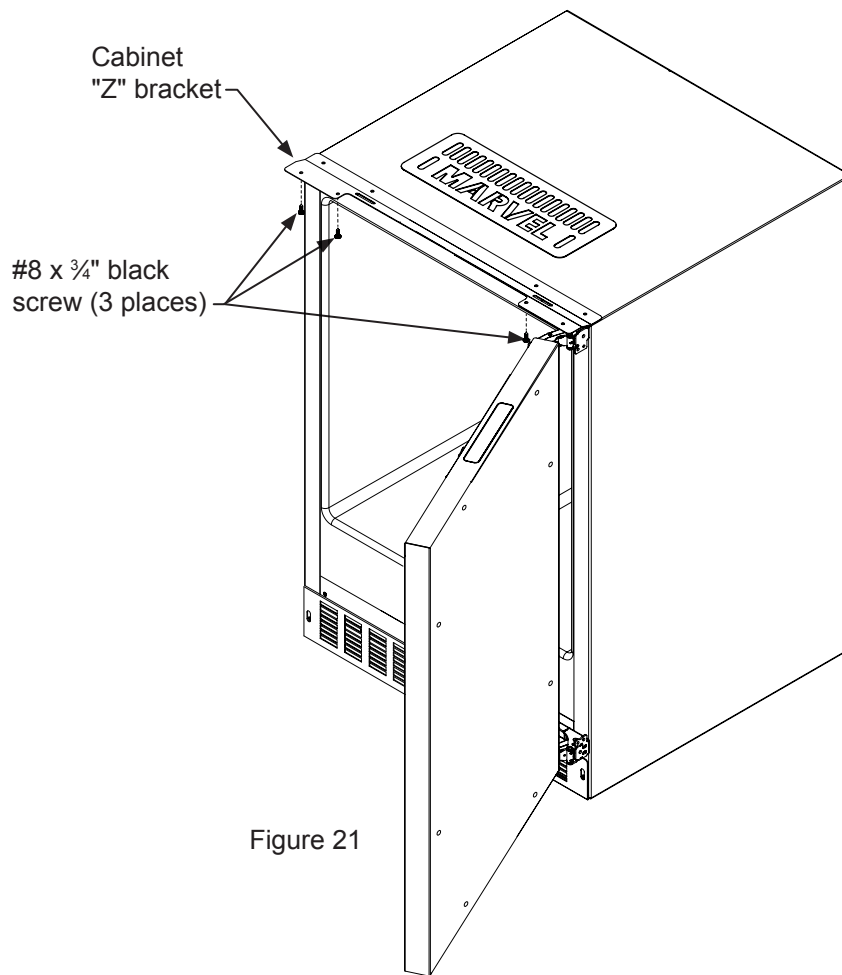
### Step 5: Install the door

Carefully open the top and bottom hinges on the door being careful as there are many pinch points. Place the hinges over the 4 screws in the cabinet, 2 at the top and 2 at the bottom and slide the door into position. Tighten the 4 hinge screws with a phillips screwdriver. (See Figures 13 and 13a). Place wire harness from the grille and mount to the bottom of the door with the screw and "P" clamp removed in step 1. (See Figure 13b). Reconnect the wire harness, (See Figure 14).

## OVERLAY DOOR PANEL INSTALLATION

### Step 6: Secure the cabinet

Use the #8 x 3/4" black screws from the literature pack to secure the counter top to the cabinet top through the holes in the cabinet "Z" bracket.



# USING YOUR BEER DISPENSER

## Shelving

The unit is shipped with the (2) shelves taped in place in the upper and the lower shelf positions. Remove them from the refrigerator and arrange them as follows when setting up your unit.

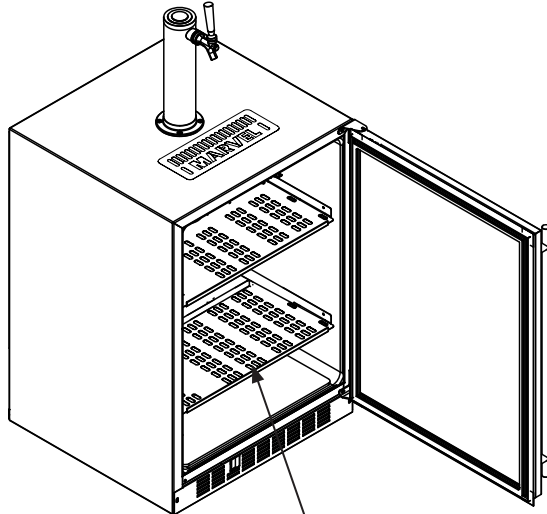


Figure 22 Two shelves

If you are not serving beer on tap, your keg dispenser can be used as a refrigerator by placing both shelves on the mounting brackets as shown in Figure 23. The shelves are marked upper and lower. The upper shelf should be placed in the top shelf position and the shelf marked lower should be placed in the bottom shelf position.

## CAUTION

If you are using the appliance as a refrigerator for perishable foods, the set-point temperature should be set between 34°F and 42° F (1.2° C and 5.7° C).

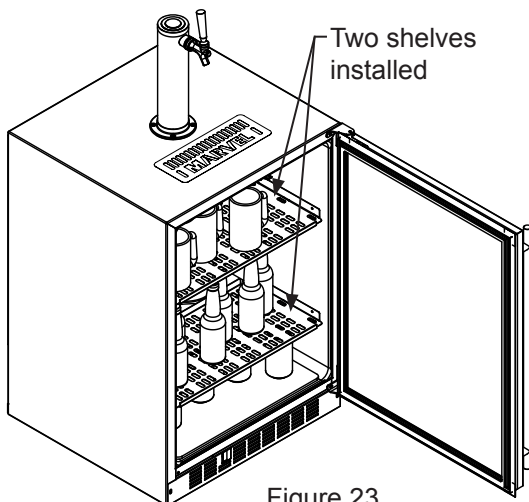
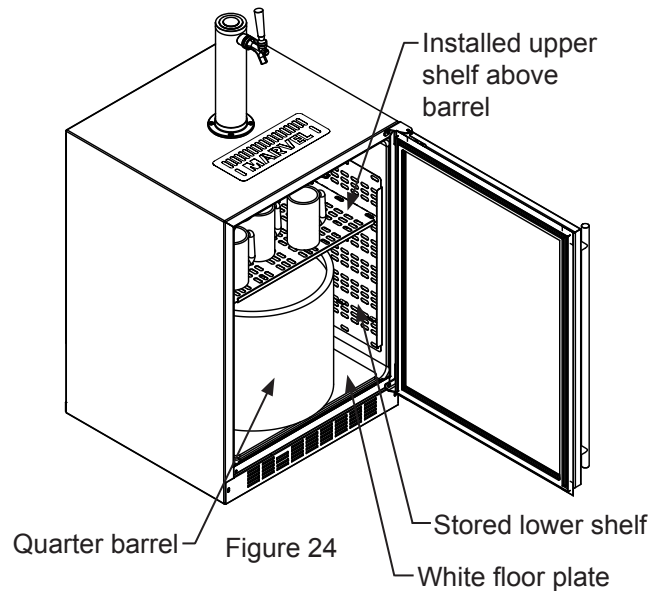


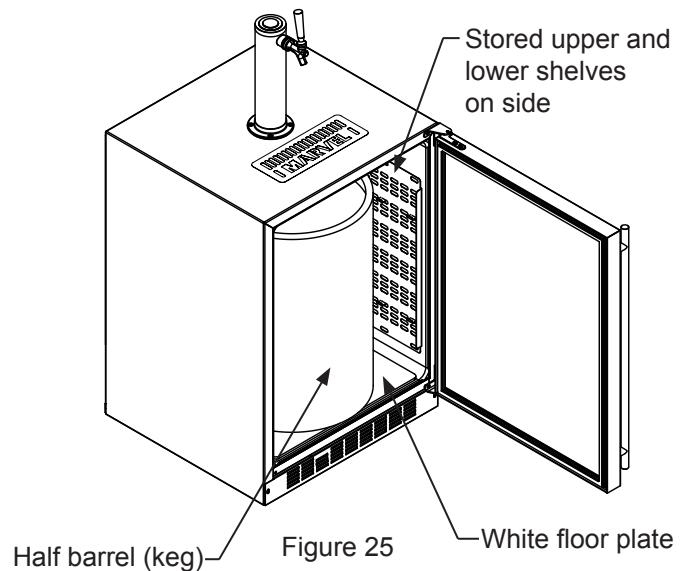
Figure 23

If you are using a quarter barrel of beer, you can add shelf space for keeping your mugs chilled. The quarter barrel must set on the floor, it cannot fit on the shelf, see Figure 24. Be sure the white floor plate is in the bottom of the interior compartment before positioning the barrel.



Quarter barrel Figure 24

If you are using a half barrel (keg) or (2) 1/6 barrels, place the two shelves on the right side of the keg dispenser on the two mounting hooks for storage. (See Figure 25). Be sure the white floor plate is in the bottom of the interior compartment before positioning the barrel(s).



Half barrel (keg) Figure 25

## USING YOUR BEER DISPENSER

This beer dispensing unit will support one half (½) barrel or one quarter (¼) barrel. The double draft tower units can support two sixth (⅙) barrels of beer. See chart below for quantity of beer in each barrel size.

	Barrel Sizes		
	1/6 barrel	1/4 Barrel	1/2 Barrel
<b>Height</b>	23 <sup>5</sup> / <sub>16</sub> " (59.2 cm)	14 <sup>13</sup> / <sub>16</sub> " (37.6 cm)	23 <sup>5</sup> / <sub>16</sub> " (59.2 cm)
<b>Diameter</b>	9 <sup>1</sup> / <sub>4</sub> " (23.5 cm)	17" (43.2 cm)	17" to 17 <sup>1</sup> / <sub>4</sub> " (43.2 to 43 cm)
<b>Gallons</b>	5.23	7.75	15.5
<b>#12 ounce Glasses</b>	53	82	163

Table C

Keg Size	#of kegs per 5 pound CO <sub>2</sub> Tank
5 gallon Corny	15 to 22
1/6 barrel	14 to 21
1/4 Barrel	10 to 14
1/2 Barrel	5 to 7

Table D

### Tap Equipment and Assembly

**Your dispensing kit includes the following parts:**

- Polished stainless steel tower with clear beer line (single or double dispense)
- Tower Gasket
- Phillips oval head screws
- Knob for Tower (Faucet Handle)
- Keg coupler(s)
- CO<sub>2</sub> regulator with red gas line(s) attached
- Empty 5 pound CO<sub>2</sub> tank
- Plastic clamp(s) large and small
- Faucet wrench

### Tools required for installation:

- Flat bladed screwdriver
- Phillips screwdriver
- Pliers
- Adjustable wrench or a 1<sup>1</sup>/<sub>8</sub>" open end wrench
- ½" open end wrench



## WARNING

**CO<sub>2</sub> can be dangerous. If it becomes difficult to breathe and/or your head starts to ache, a high concentration of carbon dioxide may be present. Leave the area immediately.**

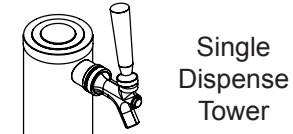
- The CO<sub>2</sub> tank must always be connected to the regulator. **Never** connect the tank to the keg.
- The CO<sub>2</sub> tank must be securely mounted in the upright position. Secure it with the chain provided.
- **Never** drop or throw the CO<sub>2</sub> tank.
- Keep the CO<sub>2</sub> tank away from heat.
- Ventilate the area after a CO<sub>2</sub> leak.

1. Remove shelving and packaged components from the interior of the refrigerator before beginning the assembly process.
2. Take your empty 5 pound CO<sub>2</sub> tank to your local gas supply dealer to be filled. You can usually find them in your "yellow pages" under "Welding Supply" or "Fire Protection". One 5 pound tank can process many kegs (see table "D") Your dealer should supply you with a plastic washer every time the tank is filled.
3. Tower mounting (if you are installing the unit under a counter skip to step 4). If you are mounting the tower directly to the top of the refrigerator, first remove the four screws from the top of the refrigerator. Feed the clear beer line through the tower gasket and the large hole in the refrigerator top. Align the 4 holes in the tower with the 4 holes in the refrigerator top and secure the tower with the 4 screws removed previously. Skip to step 5.

# USING YOUR BEER DISPENSER

## Single Dispense Tower Kit

Connect **A** to **A**, etc.....



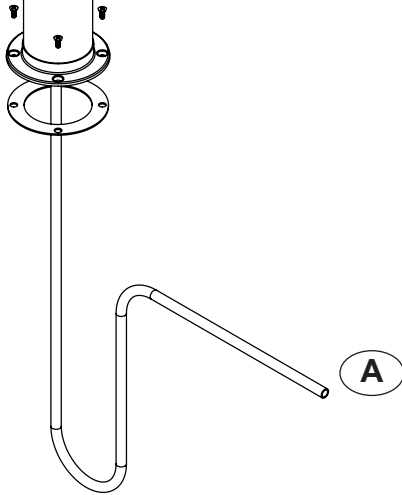
Single Dispense Tower  
Figure 26

Figure 27



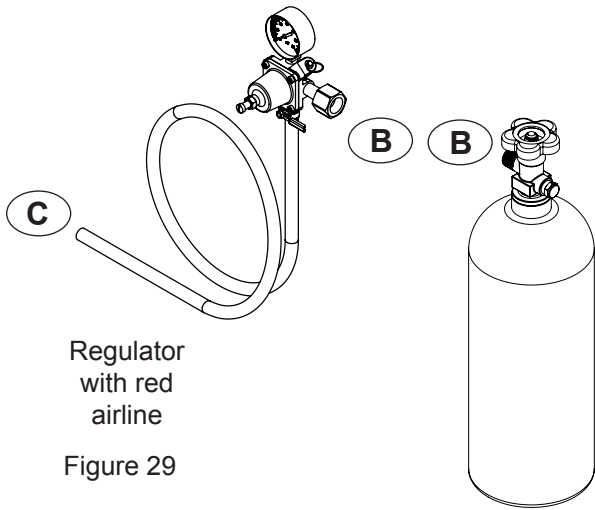
Hose clamps use for connections

**A** and **C**



**A** Figure 28  
Keg Coupler

**C**



Regulator with red airline

Figure 29

5 Pound CO<sub>2</sub> Tank  
Figure 30

## Double Dispense Tower Kit

Connect **A** to **A**, etc.....

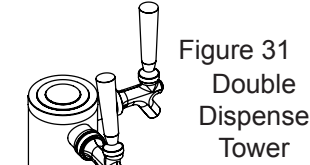


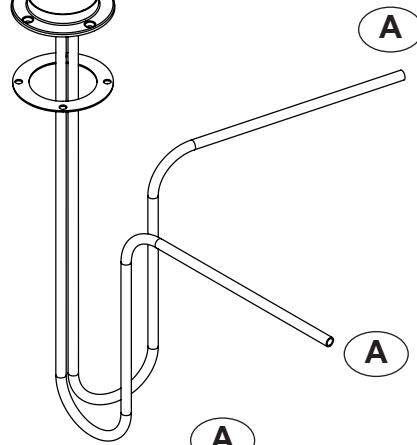
Figure 31  
Double Dispense Tower

Figure 32



Hose clamps use for connections

**A** and **C**



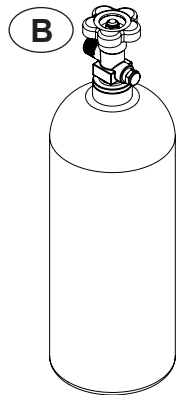
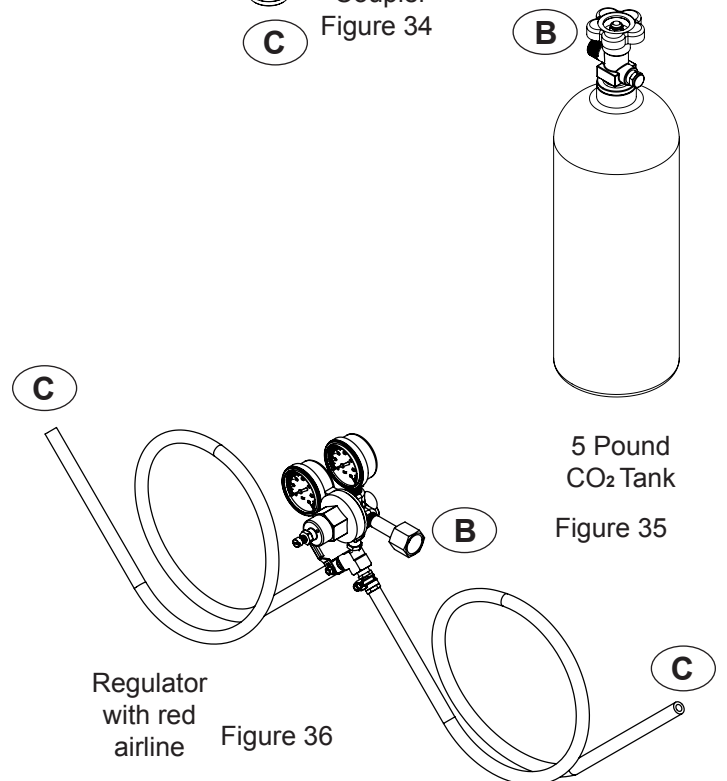
**A**  
Keg Coupler

**C**

Figure 33

**A**  
Keg Coupler  
Figure 34

**C**



5 Pound CO<sub>2</sub> Tank

Figure 35

Regulator with red airline  
Figure 36

## USING YOUR BEER DISPENSER

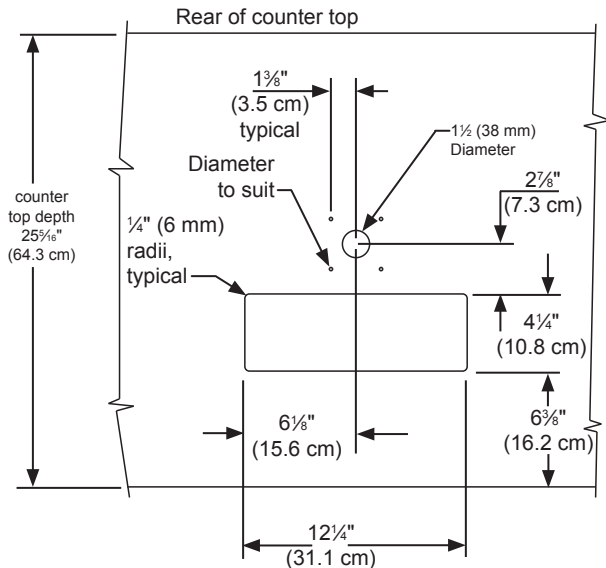


Figure 37



### CAUTION

The cutout dimensions shown in Figure 37 are based on a 25 $\frac{5}{16}$ " (64.3 cm) deep counter top. Your counter top may be different than this and require other front to back dimensioning. Refer to the product dimensions on pages 8 and 9 when determining the required dimensions.

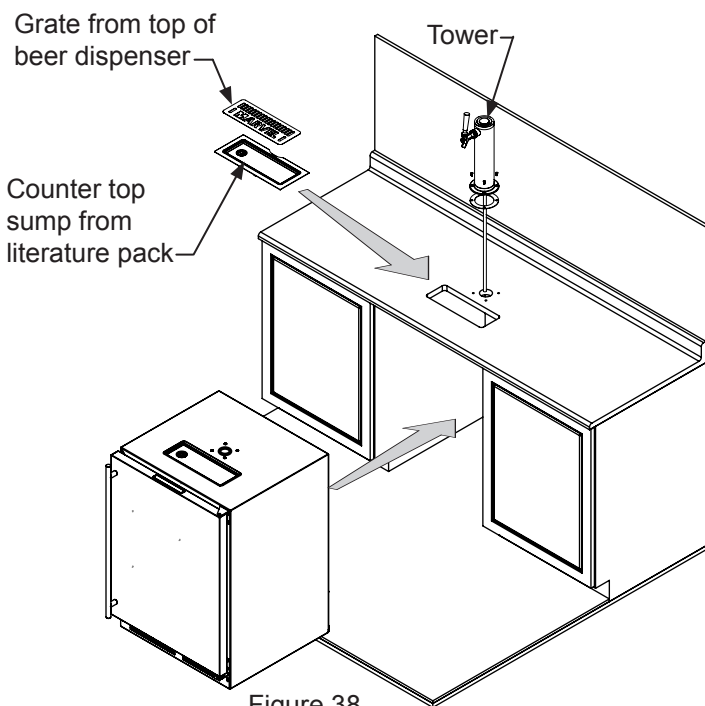


Figure 38

- If you are installing your keg refrigerator under a counter you will need to drill 5 holes in the counter top to mount the tower. The first hole is a 1 $\frac{1}{2}$ " diameter hole located at the center of the tower for the beer line, locate approximately 13 $\frac{1}{2}$ " (34.3 cm) from the front edge of the counter top (based on a counter top depth of 25 $\frac{5}{16}$ "). Next drill the 4 tower mounting holes per the dimensions in Figure 37. The hole diameter is dependent on the counter top material and if screw anchors are required. The screws supplied are in the literature pack and are a #10 x 1" type AB stainless steel screw. Mark and cut the rectangular cutout for the drain sump. After the holes are drilled and the keg refrigerator is in place under the counter top feed the beer line through the tower gasket, the 1 $\frac{1}{2}$ " hole in the counter top and the hole in the top of the keg refrigerator. Mount the tower to the counter top with the 4 screws provided. Place the counter top drain sump, from the literature pack, in the rectangular hole with the radius cutout to the rear around the tower and place the grate in the sump.
- Mount the regulator to the CO<sub>2</sub> tank (connection **B**) use the new plastic washer you received from the gas supply company. Note that the regulator has left hand threads and has to be turned counterclockwise to tighten. Tighten with the adjustable wrench or the 1 $\frac{1}{8}$ " open end wrench.
- Connect the red air line(s) from the regulator to the **large** air line fitting on the keg coupler with a **large** hose clamp (connection **C**).
- Connect the clear beer line from the tower to the **small** air line fitting on the keg coupler with a **small** hose clamp (connection **A**).

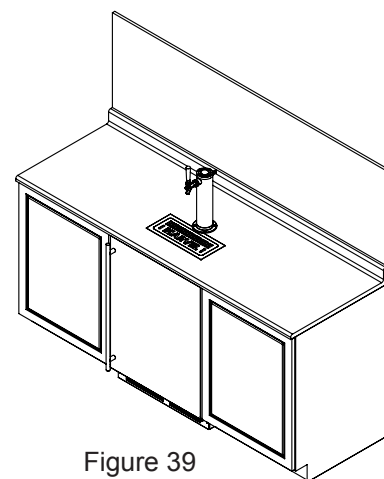
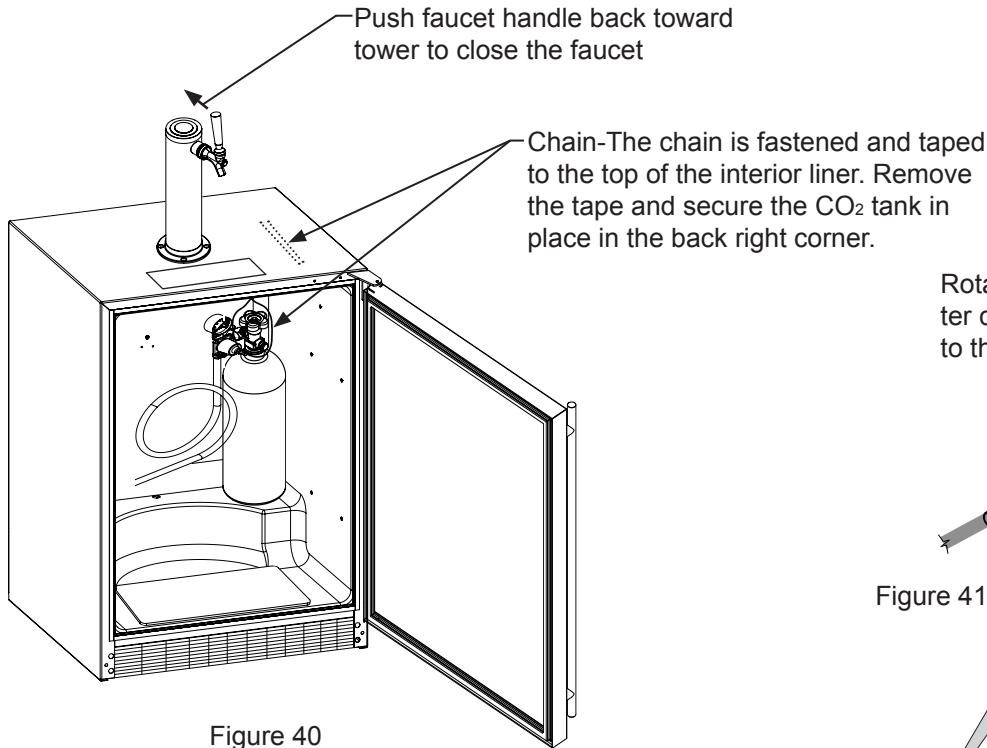


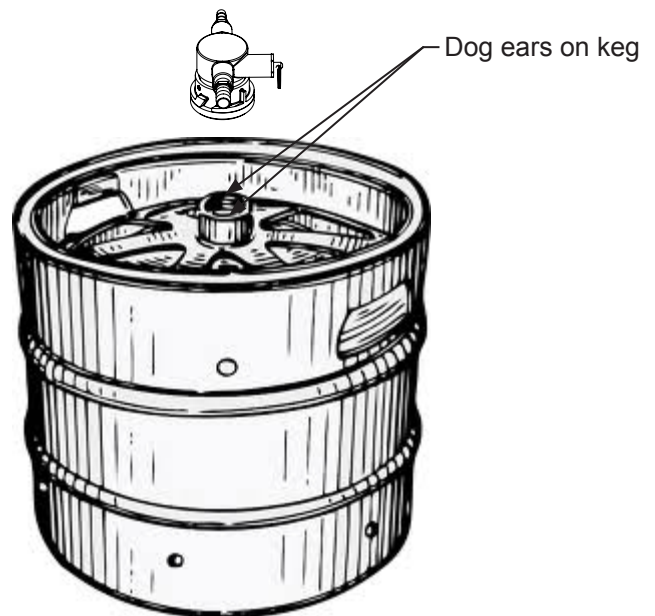
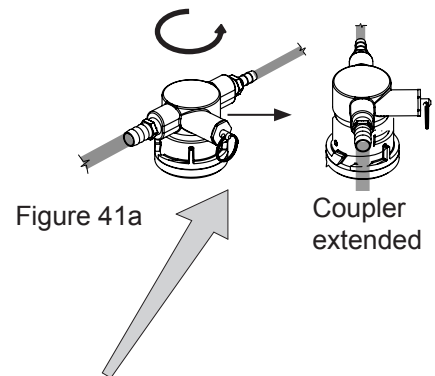
Figure 39

## USING YOUR BEER DISPENSER

8. Locate the CO<sub>2</sub> tank in the corner of the refrigerator as shown in Figure 40 and secure with the chain. Close the faucet handle on the tower.
9. Hooking up the keg coupler to the keg: Verify the coupler is in the "OFF" position (see Figure 41a). Align the lugs on the keg with the corresponding openings on the keg coupler and turn clockwise until the coupler stops (about 90°). Push down and twist the top of the coupler clockwise to allow gas to enter the keg.



Rotate the top of the coupler counter clockwise to extend the coupler to the "OFF" position.



## USING YOUR BEER DISPENSER

### Optional CO<sub>2</sub> tank external mounting bracket:

The optional mounting bracket is designed to hold the 5# CO<sub>2</sub> cylinder that comes with the beer dispenser. Larger cylinders may be purchased from a third party and mounted externally. Use the hole port on the rear of the cabinet to run the CO<sub>2</sub> line to the keg.

Many options are available for mounting the CO<sub>2</sub> tank outside of the beer dispenser to gain additional cold storage space inside.

**Secure the optional external mounting bracket on the back of the beer dispenser (this is ideal for mobile units) or mount within adjacent cabinetry (ideal for undercounter built-in units):**

Mount the (4) screws (#10-32 x 3/4" flathead machine screws) provided with the bracket in the rear of the appliance, see Figure 42. Do not completely tighten. Place the keyhole slots in the flanges of the bracket over the four screws and tighten them to secure the bracket to the back of the cabinet. The bracket can also be fastened to adjacent cabinetry using the provided #10 x 3/4" wood screws. Mark the hole locations where required using a pencil and the slots in the mounting bracket. Drill appropriate pilot holes (depending on the material you are mounting to) and secure the bracket per the above instructions.

### NOTE

Consider the length of the red air line when choosing a place for the CO<sub>2</sub> tank.

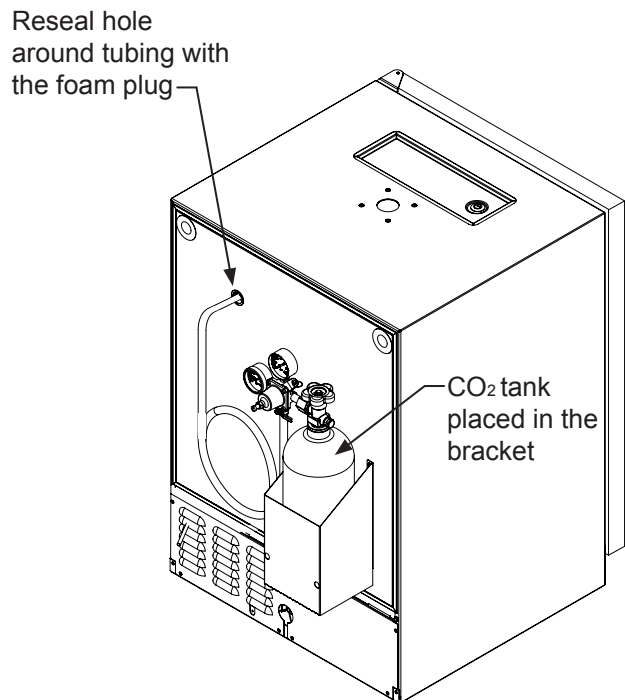
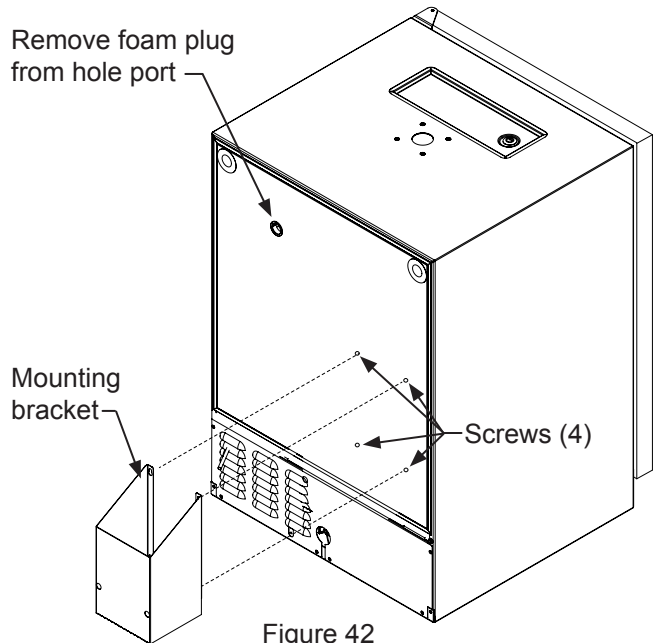
With the gauges mounted to the CO<sub>2</sub> tank place the tank in the mounting bracket.

Remove the foam plug from the hole port as shown in Figure 42, and feed the red CO<sub>2</sub> line through the rear wall and out the coil cover on the inside of the cabinet. Connect the red CO<sub>2</sub> line to the keg coupler.

Reseal the hole in the back of the cabinet with the foam plug. See Figure 43.

### CAUTION

If the CO<sub>2</sub> tank is placed on the floor it must be secured in the upright position with a chain or other means to prevent it from being tipped over.





# USING YOUR BEER DISPENSER

## CO<sub>2</sub> Regulator (Single Dispense Tower)

Your beer dispenser comes equipped with a 5 pound CO<sub>2</sub> tank and a single gauge regulator. The gauge reads the pressure being supplied to the beer keg. Follow the procedure below to adjust the pressure to 12 - 14 psi (0.8 to 1 bar) for lager beer or 9 - 12 psi (0.6 to 0.8 bar) for ale's.

### To adjust the pressure (Single Gauge):

1. Close the shutoff valve at the bottom of the regulator.
2. Be sure the faucet handle is closed on the tower (see Figure 47).
3. Loosen the lock nut by turning  $\curvearrowright$  counterclockwise using the  $\frac{1}{2}$ " open end wrench until loose, this will allow adjustment of the pressure adjustment screw.
4. With the flat bladed screwdriver turn the adjustment screw  $\curvearrowright$  clockwise to increase the pressure or  $\curvearrowleft$  counterclockwise to decrease the pressure.
5. Open the shutoff valve on the bottom of the regulator. The gauge reading may drop but will return very quickly.
6. Pull the ring on the keg coupler to allow the gas to flow momentarily.
7. Make any fine adjustments if necessary with the adjustment screw.
8. Tighten the locknut with the  $\frac{1}{2}$ " open end wrench by turning clockwise  $\curvearrowright$ .

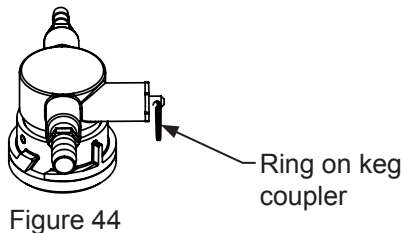


Figure 44

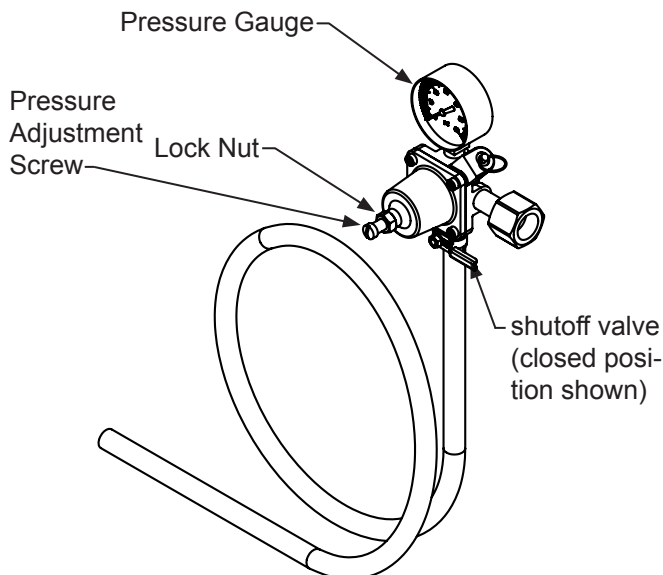


Figure 45 (Regulator for Single Dispense Tower)

## CO<sub>2</sub> Regulator (Double Dispense Tower)

Your beer dispenser comes equipped with a 5 pound CO<sub>2</sub> tank and a dual gauge regulator. The lower gauge should be reading approximately 750 psi (52 bar) when the tank is properly filled and the tank is not in the refrigerator (at room temperature). The tank will read less when chilled. Use this lower gauge as an indicator of how much CO<sub>2</sub> you have left in the tank.

The upper gauge reads the pressure being supplied to the beer keg. Follow the procedure below to adjust the pressure to 12 - 14 psi (0.8 to 1 bar) for lager beer or 9 - 12 psi (0.6 to 0.8 bar) for ale's.

### To adjust the pressure (Upper Gauge):

1. Close the shutoff valves at the bottom of the regulator.
2. Be sure the faucet handle is closed on the tower (see Figure 47).
3. Loosen the lock nut by turning  $\curvearrowright$  counterclockwise using the  $\frac{1}{2}$ " open end wrench until loose, this will allow adjustment of the pressure adjustment screw.
4. With the flat bladed screwdriver turn the adjustment screw  $\curvearrowright$  clockwise to increase the pressure or  $\curvearrowleft$  counterclockwise to decrease the pressure.
5. Open the shutoff valve on the bottom of the regulator. The gauge reading may drop but will return very quickly.
6. Pull the ring on the keg coupler to allow the gas to flow momentarily.
7. Make any fine adjustments if necessary with the adjustment screw.
8. Tighten the locknut with the  $\frac{1}{2}$ " open end wrench by turning clockwise  $\curvearrowright$ .

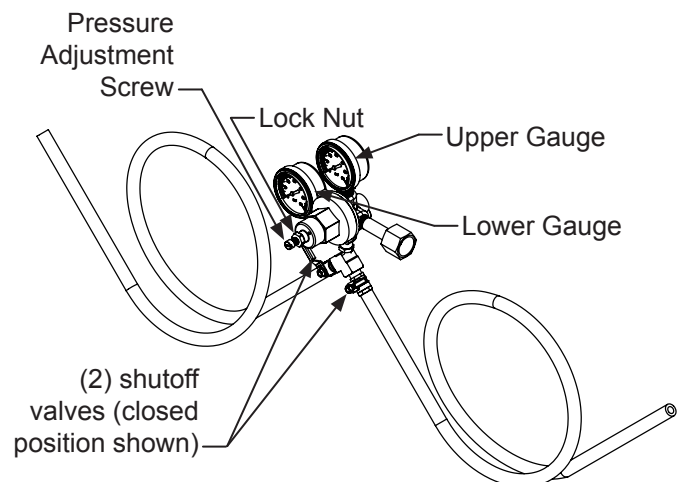
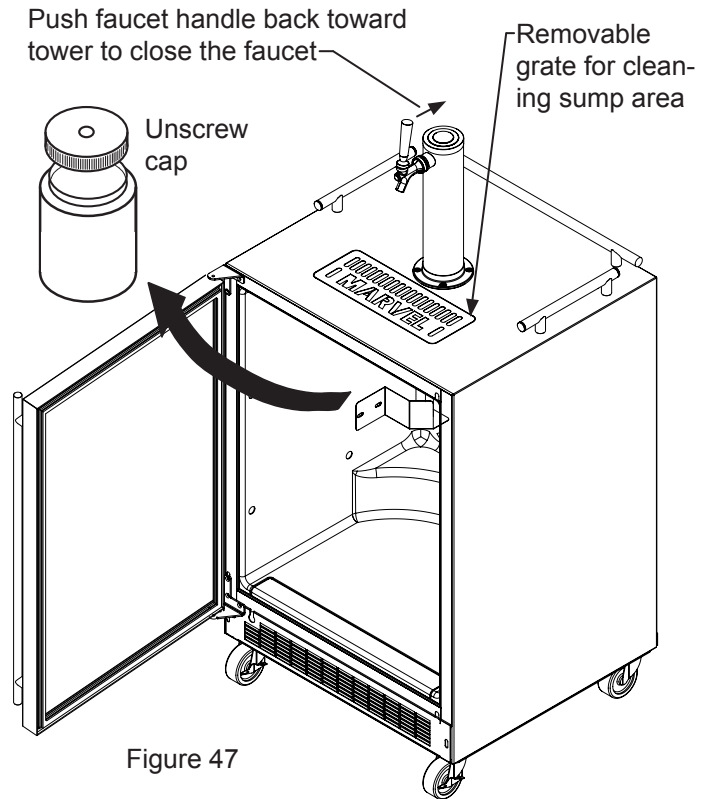


Figure 46 (Regulator for Double Dispense Tower)

## USING YOUR BEER DISPENSER AND CARE AND CLEANING

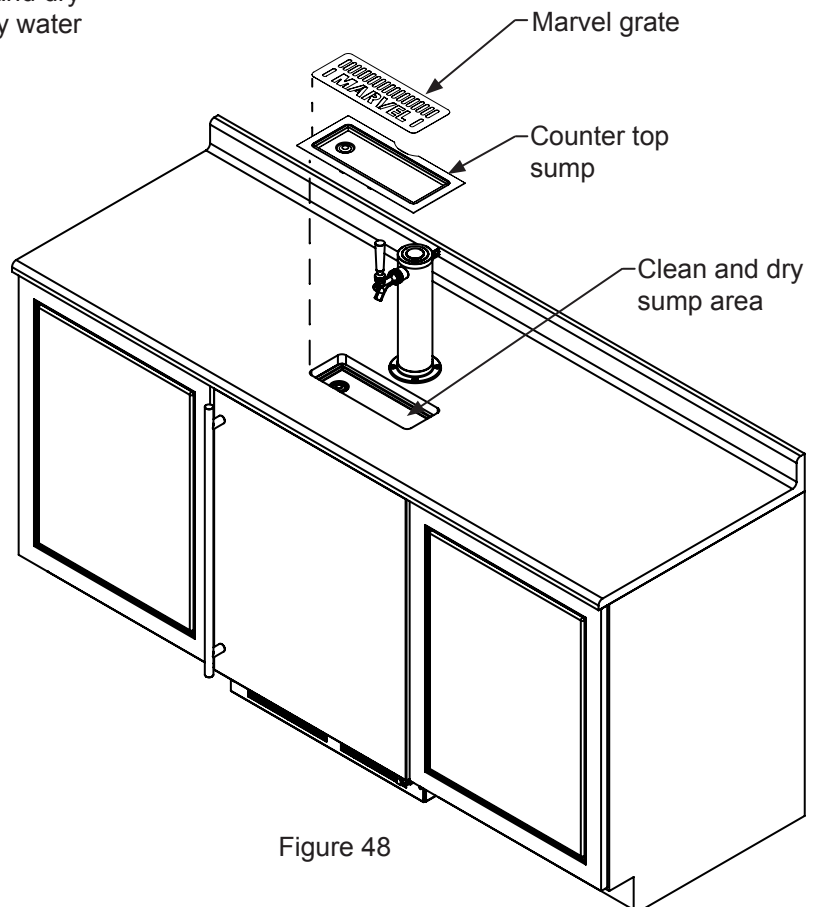
**Drain kit (All Models):** The drain kit is shipped in place and ready to use. **To empty:** Pull drain hose out of bottle cap, remove bottle from unit, unscrew cap and discard waste and rinse bottle. Reinstall bottle in unit.



### Cleaning the drain sump:

On a **free standing beer dispenser** remove the Marvel grate from in front of the tower, clean with soap and water and dry before reinstalling. Clean the sump area with soapy water and dry. (See figure 47).

On a **built in beer dispenser** remove the Marvel grate and counter top sump, clean with soap and water and dry before reinstalling. Clean the sump area with soapy water and dry. (See Figure 48).



# CARE AND CLEANING

## Cleaning and Maintaining Dispensing System

The dispensing system needs to be cleaned between usage to prevent spoilage and/or foul taste in your beer.

### Tap Cleaning Kit

This is an optional item (part number 42242373) Kit includes everything to quickly clean tap. Includes cleaning solution, pump, mixing bottle, brush and wrench.

### Faucet Cleaning

Turn off the gas supply with the shutoff valve(s) under the regulator (see Figure 45 or 46) and open the faucet to relieve the pressure. To remove the faucet from the tower use the spanner wrench provided. Place the pin on the wrench into the hole on the faucet collar and turn clockwise  $\curvearrowright$  to remove the faucet. (See Figure 50).

Remove the knurled cap from the faucet body just below the handle and pull the handle assembly from the faucet. This will allow the shaft to be removed from the back of the faucet, see Figure 49.

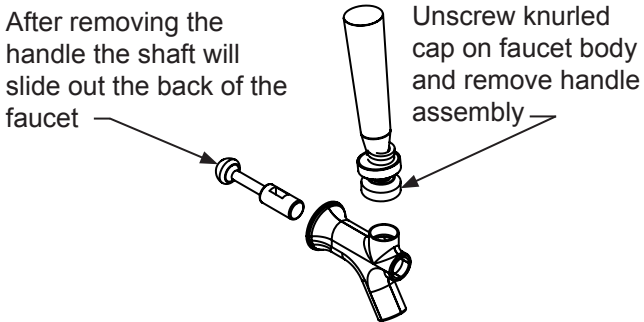


Figure 49

Soak all faucet parts in hot clear water or a solution of hot water and a sanitizing solution. Do not use soap.

Reassemble faucet, assemble faucet to tower (be sure faucet is in off position), and turn on gas valve.

### Keg Coupler Cleaning

Remove the keg coupler from the keg if necessary. Close the gas valve(s) below the regulator, remove both the red gas line(s) and clear beer line(s) from the keg coupler(s) by removing the plastic hose clamps (See Figure 52). Soak and brush the keg coupler in hot water or a sanitizing solution. Dry all parts and reassemble.

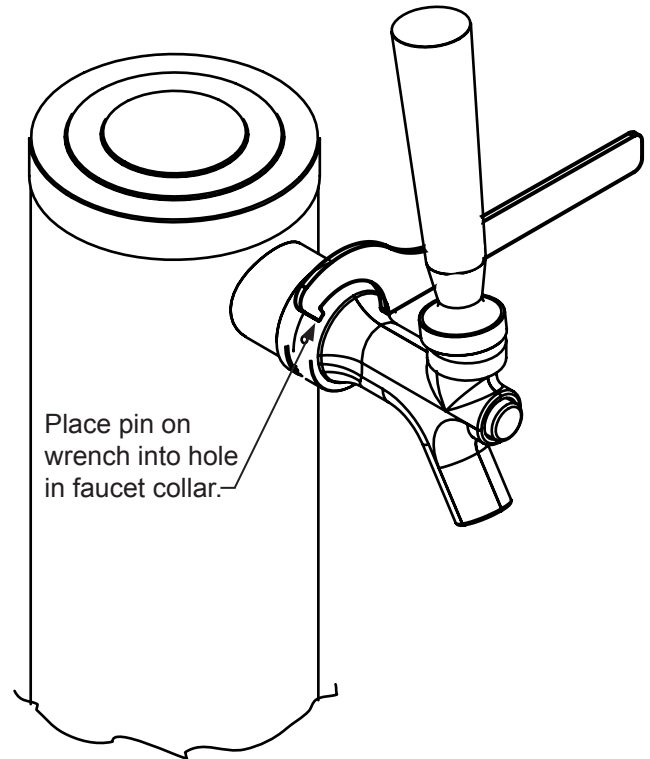


Figure 50

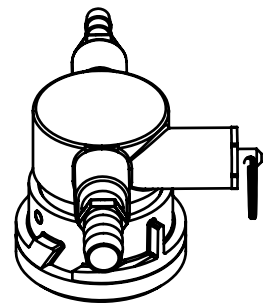


Figure 51

Hose clamps can be released by a lateral movement to the head.

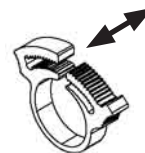


Figure 52

## CARE AND CLEANING AND ENERGY SAVING TIPS

### Front Grille

Be sure that nothing obstructs the required air flow openings in front of the cabinet. At least once or twice a year, brush or vacuum lint and dirt from the front grille area (see page 4).



### CAUTION

**SHOCK HAZARD:** Disconnect electrical power from the appliance before cleaning with soap and water.

### Cabinet

The painted cabinet can be washed with either a mild soap and water and thoroughly rinsed with clear water. NEVER use abrasive scouring cleaners.

### Interior

Wash interior compartment with mild soap and water. Do NOT use an abrasive cleaner, solvent, polish cleaner or undiluted detergent.

### Care of Appliance

1. Avoid leaning on the door, you may bend the door hinges or tip the appliance.
2. Exercise caution when sweeping, vacuuming or mopping near the front of the appliance. Damage to the grille can occur.
3. Periodically clean the interior of the appliance as needed.
4. Periodically check and/or clean the front grille as needed.

### In the Event of a Power Failure

If a power failure occurs, try to correct it as soon as possible. Minimize the number of door openings while the power is off so as not to adversely affect the appliance's temperature.

### The following suggestions will minimize the cost of operating your refrigeration appliance.

1. Do not install your appliance next to a hot appliance (cooker, dishwasher, etc.), heating air duct, or other heat sources.
2. Install product out of direct sunlight.
3. Ensure the front grille vents at front of appliance beneath door are not obstructed and kept clean to allow ventilation for the refrigeration system to expel heat.
4. Plug your appliance into a dedicated power circuit. (Not shared with other appliances).
5. When initially loading your new product, or whenever large quantities of warm contents are placed within refrigerated storage compartment, minimize door openings for the next 12 hours to allow contents to pull down to compartment set temperature.
6. Maintaining a relatively full storage compartment will require less appliance run time than an empty compartment.
7. Ensure door closing is not obstructed by contents stored in your appliance.
8. Allow hot items to reach room temperature before placing in product.
9. Minimize door openings and duration of door openings.
10. Use the warmest temperature control set temperature that meets your personal preference and provides the proper storage for your stored contents.
11. When on vacation or away from home for extended periods, set the appliance to warmest acceptable temperature for the stored contents.
12. Set the control to the "off" position if cleaning the appliance requires the door to be open for an extended period of time.

## DOOR ALIGNMENT AND OBTAINING SERVICE

### Door alignment for solid door models:

The door should be parallel to the sides and top of the appliance. If alignment is necessary the door may be adjusted by loosening the 2 screws which secure the door adjustment bracket on the bottom of the door (see Figure 53a) and adjusting the door side to side. Use a  $\frac{5}{32}$ " allen wrench for this procedure. (See Figure 53 below). When finished aligning the door, tighten the screws securely.

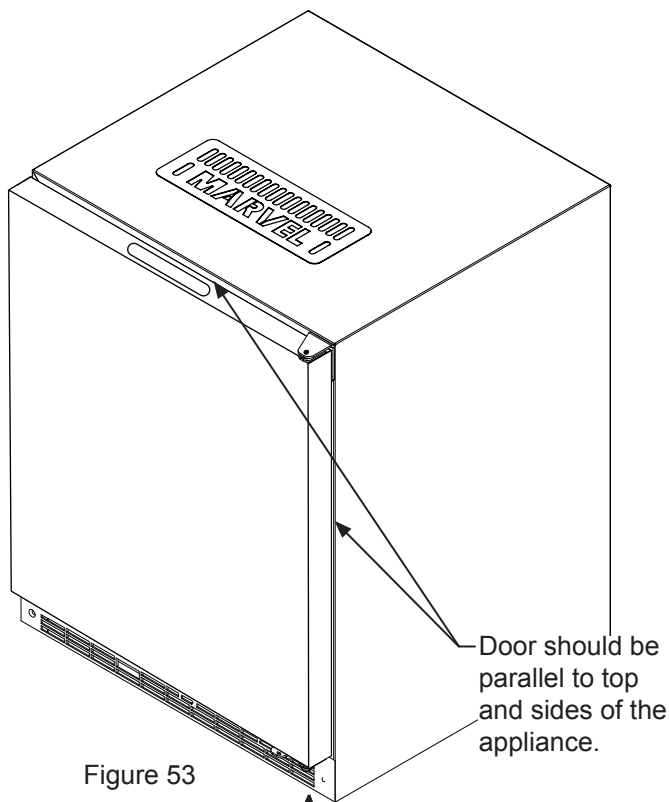


Figure 53

### If Service is Required:

- If the product is within the first year warranty period please contact your dealer or call AGA MARVEL Customer Service at 800.223.3900 for directions on how to obtain warranty coverage in your area.
- If the product is outside the first year warranty period, AGA MARVEL Customer Service can provide recommendations of service centers in your area. A listing of authorized service centers is also available at [www.agamarvel.com](http://www.agamarvel.com) under the service and support section.
- In all correspondence regarding service, be sure to give the service number, serial number, and proof of purchase.
- Try to have information or description of nature of the problem, how long the appliance has been running, the room temperature, and any additional information that may be helpful in quickly solving the problem.
- Table "E" is provided for recording pertinent information regarding your product for future reference.

For Your Records	
Date of Purchase	
Dealer's name	
Dealer's Address	
Dealer's City	
Dealer's State	
Dealer's Zip Code	
Appliance Serial Number	
Appliance Service Number	
Date Warranty Card Sent (Must be within 10 days of purchase).	

Table E

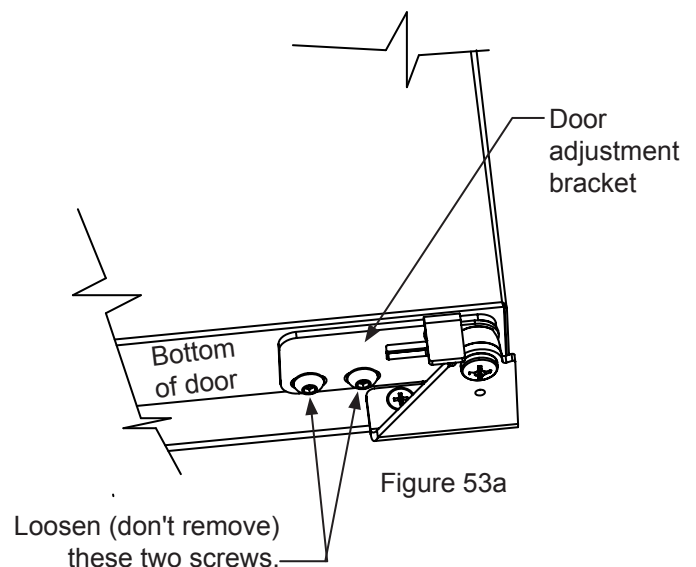


Figure 53a

# TROUBLESHOOTING

## Before You Call for Service

If the appliance appears to be malfunctioning, read through this manual first. If the problem persists, check the troubleshooting guide below. Locate the problem in the guide and refer to the cause and its remedy before calling for service. The problem may be something very simple that can be solved without a service call. However, it may be required to contact your dealer or a qualified service technician.



## WARNING

### Electrocution Hazard

- Never attempt to repair or perform maintenance on the appliance until the main electrical power has been disconnected. Turning the appliance control "OFF" does not remove electrical power from the unit's wiring.
- Replace all parts and panels before operating.

Problem	Possible Cause	Remedy
Appliance not cold enough  (See "Adjusting the temperature" on page 12)	• Control set too warm	• Adjust temperature colder. Allow 24 hours for temperature to stabilize.
	• Content temperature not stabilized.	• Allow temperature to stabilize for at least 24 hours.
	• Excessive usage or prolonged door openings.	• Airflow must not be obstructed to front grille. See "clearances" on page 4.
	• Airflow to front grille blocked.	• Check door alignment and/or replace door gasket.
Appliance too cold  (See "Adjusting the Temperature" on page 12)	• Door gasket not sealing properly.	• Check door alignment and/or replace door gasket.
	• Control set too cold	• Adjust temperature warmer. Allow 24 hours for temperature to stabilize.
Noise or Vibration	• Appliance not level	• Level appliance, see "Leveling Legs" on page 4.
	• Fan hitting tube obstruction.	• Contact a qualified service technician.
Appliance will not run.	• Appliance turned off	• Turn appliance on. See "Starting your appliance" on page 11.
	• Power cord not plugged in.	• Plug in power cord.
	• No power at outlet.	• Check house circuit.

# HOUSEHOLD PRODUCT WARRANTY

## Entire Product

### Limited One Year Parts and Labor Warranty

AGA MARVEL warrants that it will supply all necessary parts and labor to repair or replace in the end user's home or office, any component which proves to be defective in material or workmanship, subject to the condition and exclusions stated below, for a period of one year from the date of purchase by the end user.

### Additional Second Through Fifth Year

#### Limited Parts Only Warranty

During the four years following expiration of the one year limited warranty, AGA MARVEL will supply replacement parts for the hermetically sealed refrigeration system which consists of the compressor, condenser, drier, accumulator, bypass valve, connecting tubing and the evaporator that are proven to be defective due to workmanship or materials subject to the conditions and exclusions below.

The above warranties do not cover:

- Shipping costs of replacement parts or returned defective parts.
- Customer education or instructions on how to use the appliance.
- Any content loss due to product failure.
- Removal or installation of product.

Nor do the above warranties cover failure of this product or its components due to:

- Transportation or subsequent damages.
- Commercial use or use other than normal household or small office.
- Improper installation, misuse, abuse, accident or alteration, use of wiring not conforming to electrical codes, low or high voltages, failure to provide necessary maintenance, or other unreasonable use.

## Parts or Service

### Not Supplied or Designated by AGA MARVEL

The above warranties also do not apply if:

- The original bill of sale, deliver date, or serial number cannot be verified.
- Defective parts are not returned for inspection if so requested by AGA MARVEL.
- The refrigeration equipment is not in the possession of the original end use purchaser.

The warranties set forth herein are the only warranties extended by AGA MARVEL. Any implied warranties, including the implied warranty of merchantability, are limited to the duration of these express warranties. In no event shall AGA MARVEL be liable for any consequential or incidental damages or expenses resulting from breach of these or any other warranties, whether express or implied.

Some states do not allow the exclusion or limitation of consequential damages or a limitation on how long an implied warranty lasts, so the above exclusion or limitation may not apply to you. This warranty gives you specific legal rights and you may have other rights that may vary from state to state.

No person, firm, or corporation is authorized to make any other warranty or assume any other obligation for AGA MARVEL. These warranties apply only to products used in any of the fifty states of the United States and the District of Columbia.

To obtain performance of this warranty, report any defects to:

**AGA MARVEL**  
1260 E. VanDeinse St.  
Greenville MI 48838

Phone: 800.223.3900



[www.agamarvel.com](http://www.agamarvel.com)

**AGA MARVEL**

1260 E. VanDeinse St.  
Greenville MI 48838

800.223.3900

41013400-EN Rev E  
10/29/14

All specifications and product designs subject to change without notice. Such revisions do not entitle the buyer to corresponding changes, improvements, additions, replacements or compensation for previously purchased products.