



Installation Instructions

Discovery[®] Built-In Refrigerator

Models: DYF30BFBPL, DYF30BFBPR, DYF30BFBSL,
DYF30BFBSR, DYF30BFTSL, DYF30BFTSR,
DYF36BFBPL, DYF36BFBPR, DYF36BFBSL,
DYF36BFBSR, DYF36BFTSL, DYF36BFTSR

Table of Contents

Important Safety Instructions	1	Installation Instructions	13
Safety Symbols and Labels	1	Unpacking the Refrigerator	13
General Safety Precautions	2	Moving the Unit Into the House	13
Product Specifications	3	Custom Panel Installation	14
Product Dimensions	3	Connecting the Power.....	16
Installation Specifications	6	Water Supply Connection	16
Electrical Specifications	6	Moving the Unit into Final Position	17
Water Supply Specifications	6	Leveling	17
Preparing the Location.....	6	Final Installation	18
Custom Door Panel Overview.....	9	Verifying Operation.....	20
Custom Door Panel Construction	10	Installation Checklist	21
Custom Grill Panel Construction.....	12		

Before You Begin...

Important:

Installer: In the interest of safety and to minimize problems, read these installation instructions completely and carefully before you begin the installation process. Leave these installation instructions with the customer.

Customer: Keep these installation instructions for future reference and the local electrical inspector's use.

Customer Service Information

If You Need Help...

If you have questions or problems with installation, contact your Dacor® dealer or the Dacor Customer Service Team. For repairs to Dacor appliances under warranty call the Dacor Distinctive Service line. Whenever you call, have the model and serial number of the appliance ready. The model and serial number are printed on the product data label.

The product data label is located on the right door jamb. Open the door to expose it.

Dacor Distinctive Service (repairs under warranty only)

Phone: (800) 793-0093 ex. 2822 (U.S.A. and Canada)

Monday — Friday 6:00 A.M. to 4:00 P.M. Pacific Time

Dacor Customer Service

Phone: (800) 793-0093 ex. 2813 (U.S.A. and Canada)

Monday — Friday 6:00 A.M. to 5:00 P.M. Pacific Time

Web site: www.dacor.com

**All specifications are subject to change without notice.
Dacor assumes no liability for changes to specifications.**

Important Safety Instructions

Important Information About Safety Instructions

- The **Important Safety Instructions** and warnings in these instructions are not meant to cover all possible problems and conditions that can occur. Use common sense and caution when installing, maintaining or operating this or any other appliance.
- Always contact the Dacor Customer Service Team about problems and conditions that you don't understand. See **Customer Service Information**.

Safety Symbols and Labels

DANGER

Immediate hazards that **WILL** result in severe personal injury or death.

WARNING

Hazards or unsafe practices that **COULD** result in severe personal injury or death.

CAUTION

Hazards or unsafe practices that **MIGHT** result in minor personal injury or property damage.

DANGER

IMPORTANT: To prevent child entrapment and suffocation when discarding an old appliance:

- Take off the door(s).
- Leave the racks in place so children cannot easily climb inside.
- Cut the prongs off the power plug and discard them.
- Cut the power cable off and discard it separately from the old appliance.

IMPORTANT: To avoid the possibility of explosion or fire, do not store or use combustible, flammable or explosive vapors and liquids (such as gasoline) inside or in the vicinity of this or any other appliance.

State of California Proposition 65 Warnings:

WARNING: This product contains one or more chemicals known to the State of California to cause cancer.

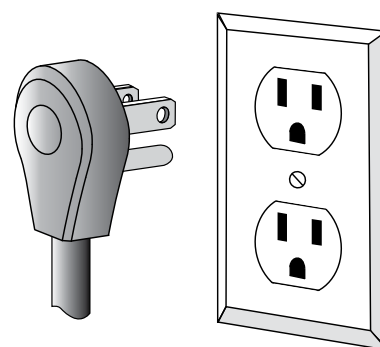
WARNING: This product contains one or more chemicals known to the State of California to cause birth defects or other reproductive harm.

WARNING

IMPORTANT: This appliance is equipped with a three-prong grounding electric plug for protection against possible electric shock hazards. It must be plugged into a dedicated, grounded, electrical outlet. If only a two-prong electrical outlet is available, it is the responsibility of the customer to have it replaced with a dedicated, properly grounded three-prong electrical outlet.

- **DO NOT** cut or remove the third (ground) prong from the power cord.
- **DO NOT** use an adapter plug.
- **DO NOT** use a power cord that is frayed or damaged.
- **DO NOT** connect the appliance to an extension cord.
- Keep the power cord away from heated surfaces.

NOTE: Use of an electrical outlet with a ground fault interrupter (GFI) is not recommended.



Power cord with three-prong grounding plug

Grounded type electrical outlet

READ AND SAVE THESE INSTRUCTIONS

Important Safety Instructions

General Safety Precautions

WARNING - To reduce the risk of fire, electric shock, serious injury or death when using your appliance, follow basic safety precautions, including the following:

WARNING

- If you receive a damaged product, immediately contact your dealer or builder. Do not install or use a damaged appliance.
- Make sure that this appliance has been properly installed according to these installation instructions.
- Make sure you know the location of the electrical outlet so that you know where and how to disconnect power. Making sure the appliance is properly installed is the responsibility of the customer.
- Refrigeration equipment and refrigerants must be properly disposed of in a professional and appropriate way, in accordance with the current local regulations and laws which protect the environment. This applies to your old appliance and to your new unit once it has reached the end of its service life. **DO NOT** dispose of the appliance in a landfill or with urban waste. Contact local waste disposal centers for information on how to dispose of recyclable waste.
- Take care when handling, moving, using or disposing of the appliance to avoid damaging the refrigeration system.
- Do not install or use outdoors or in wet conditions. This appliance is not designed for installation in a recreational vehicle or boat.
- Keep packaging materials away from children. Plastic sheets and bags can cause suffocation.
- Connect this appliance to a 115 Vac, 15 Amp. circuit that is controlled by a circuit breaker or fuse. This appliance should have its own separate grounded circuit.
- Do not kink or pinch the power supply cord of the appliance. Never unplug the appliance by pulling on the power cord. Always grip the plug firmly and pull straight out from the electrical outlet.
- Disconnect this appliance when not in use.
- Do not install, repair, modify, or replace any part of the appliance unless specifically recommended in the literature accompanying it. A qualified service technician should perform all other service.
- Before performing any type of service, disconnect the unit from the electrical outlet or disconnect power at the circuit breaker panel or fuse box.
- Use this appliance only for its intended purpose: the storage of food and beverages. It is not intended for commercial or industrial use.

WARNING

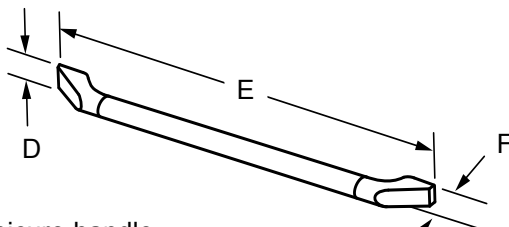
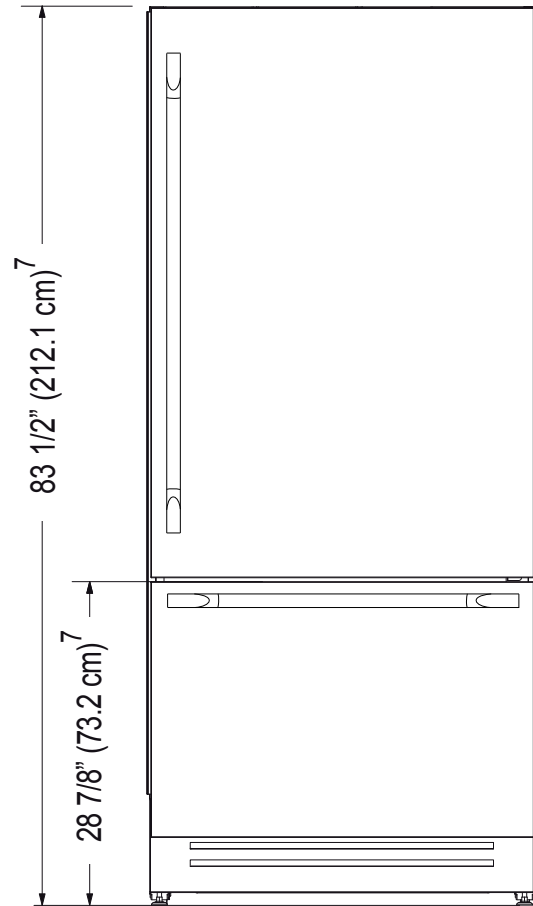
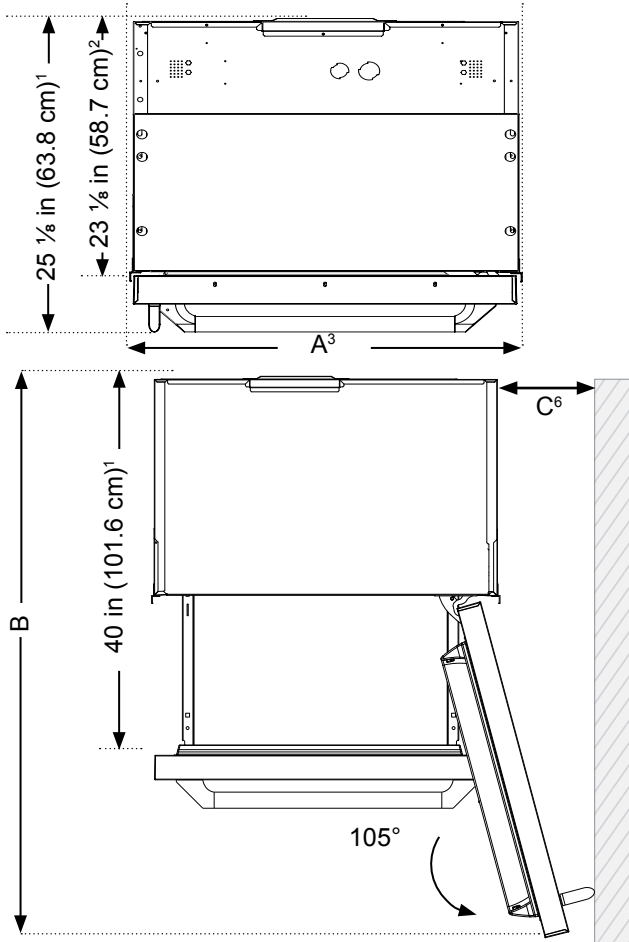
- This appliance is not intended for use by persons (including children) with reduced physical, sensory abilities, or lack of experience and knowledge, unless they are properly supervised by a person responsible for their safety. Children must be supervised for their safety.
- Never allow anyone, including children to sit, stand or climb on any part of the appliance, including the door. Doing so may cause damage, serious injury or death.
- If the power cord is damaged, it must be replaced by the manufacturer or a qualified service technician in order to avoid a safety hazard. Do not tamper with the controls.
- Clean this appliance regularly as instructed in the Care and Cleaning section of the use and care manual. Clean the ice bucket or drawer regularly.
- The appliance features a lighting system with high intensity LED lamps. Do not stare into these lamps when they are on to avoid possible eyesight damage.
- When the freezer is functioning, do not touch the inner stainless steel surfaces with wet or damp hands, since skin may stick to the very cold surfaces.
- Do not use any type of electrical equipment inside the refrigerator or freezer compartments.
- When positioning the shelves, do not place fingers in the shelf slide guides.
- Do not obstruct any of the vents or openings on the appliance.
- To avoid risk of the appliance tipping over it is mandatory to secure the appliance to the wall by means of the two supplied anti-tip brackets.
- Do not obstruct any of the vents or openings on the appliance.

Product Specifications

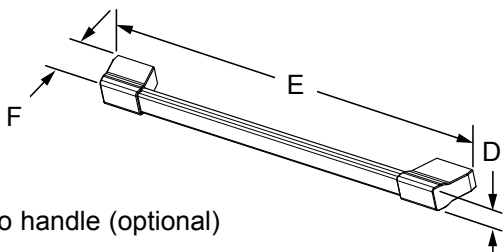
Product Dimensions

Product tolerances: $\pm 1/16''$ (± 1.6 mm)

Models DYF30BFBSL DYF30BFBSR, DYF36BFBSL DYF36BFBSR



Epicure handle
(standard on bottom compressor models)



Pro handle (optional)

Electric cord length: 90 inches (2.3 m)

- ¹ Excludes depth of door handle.
- ² For cabinet depth, with side trim removed, subtract 3/4 in (1.9 cm).
- ³ For cabinet width, with side trim removed, subtract 1/2 in (1.3 cm).
- ⁴ 30-inch wide models.

Model	A ³	B	C ⁶
DYF30BFBSL DYF30BFBSR	29 1/2 in (74.9 cm)	52 in (132.0 cm)	4 3/8 in (11.2 cm)
DYF36BFBSL DYF36BFBSR	35 3/8 in (89.9 cm)	57 7/8 in (147.0 cm)	5 1/2 in (13.8 cm)

Handle	D	E - Refrig Door	E - Freezer Door	F
Epicure	13/16 in (2.1 cm)	37 3/8 in (94.9 cm)	25 1/2 in ⁴ (94.9 cm)	2 3/8 in (6.0 cm)
			31 1/2 in ⁵ (80.0 cm)	
Pro	1 1/2 in (3.8 cm)	37 3/4 in (95.9 cm)	25 15/16 in ⁴ (65.8 cm)	2 1/2 in (6.4 cm)
			31 13/16 in ⁵ (80.8 cm)	

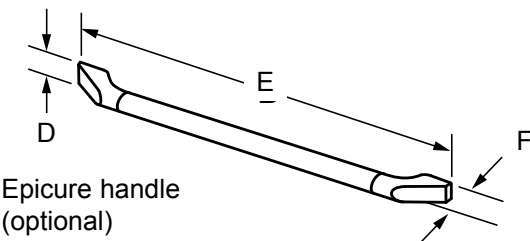
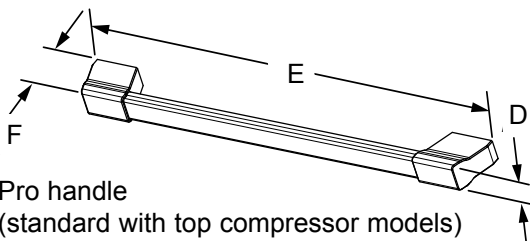
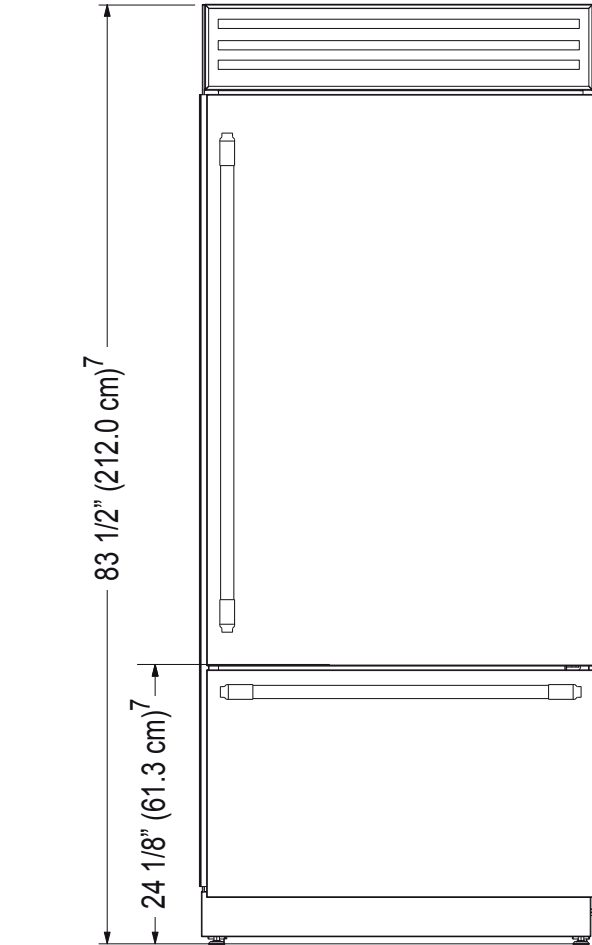
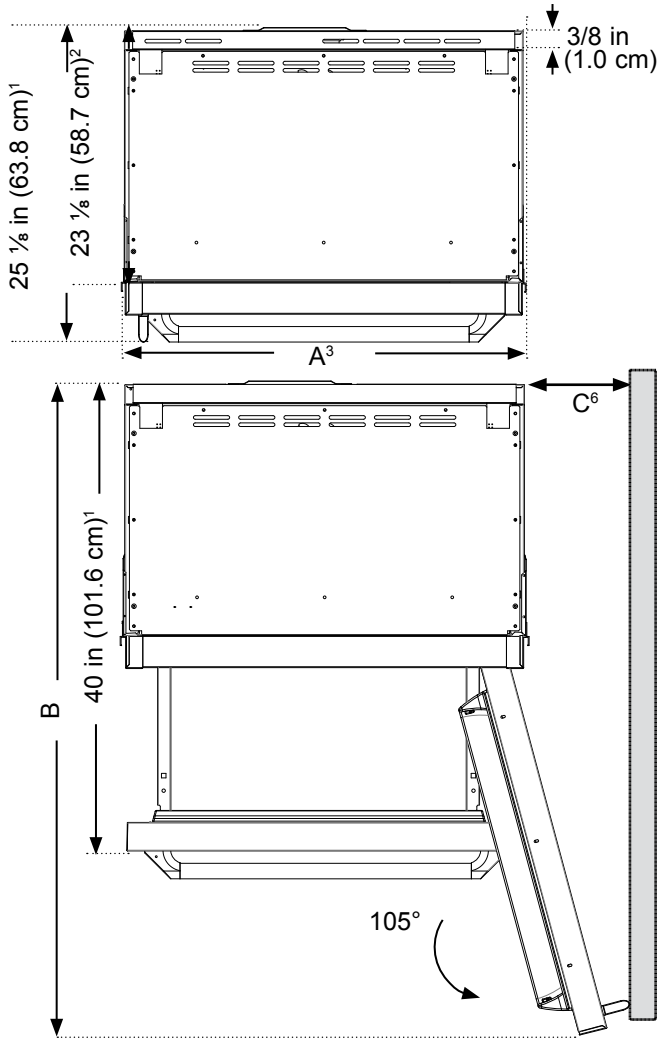
- ⁵ 36-inch wide models.
- ⁶ Dimensions are with standard, Epicure style door handle installed. Distance to side wall is required to allow door to open 105-degrees. However, a 90-degree door opening is sufficient to allow all drawers to open to full extension.
- ⁷ Height can be increased up to 1 inch (2.5 cm) using the adjustable legs.

Product Specifications

Product Dimensions (cont.)

Models DYF30BFTSL DYF30BFTSR, DYF36BFTSL DYF36BFTSR

Product tolerances: $\pm 1/16"$ (± 1.6 mm)



Model	A ³	B	C ⁶
DYF30BFTSL DYF30BFTSR	29 1/2 in (74.9 cm)	52 in (132.0 cm)	4 5/8 in (11.7 cm)
DYF36BFTSL DYF36BFTSR	35 3/8 in (89.9 cm)	57 7/8 in (147.0 cm)	5 3/4 in (14.6 cm)

Handle	D	E - Refrig Door	E - Freezer Door	F
Epicure	13/16 in (2.1 cm)	37 3/8 in (94.9 cm)	25 1/2 in ⁴ (94.9 cm)	2 3/8 in (6.0 cm)
			31 1/2 in ⁵ (80.0 cm)	
Pro	1 1/2 in (3.8 cm)	37 3/4 in (95.9 cm)	25 15/16 in ⁴ (65.8 cm)	2 1/2 in (6.4 cm)
			31 13/16 in ⁵ (80.8 cm)	

Electric cord length: 90 in (2.3 m)

- ¹ Excludes depth of door handle.
- ² For cabinet depth, with side trim removed, subtract 3/4 in (1.9 cm).
- ³ For cabinet width, with side trim removed, subtract 1/2 in (1.3 cm).
- ⁴ 30-inch wide models.

⁵ 36-inch wide models.

⁶ Dimensions are with standard, Pro style door handle installed. Distance to side wall is required to allow door to open 105-degrees. However, a 90-degree door opening is sufficient to allow all drawers to open to full extension.

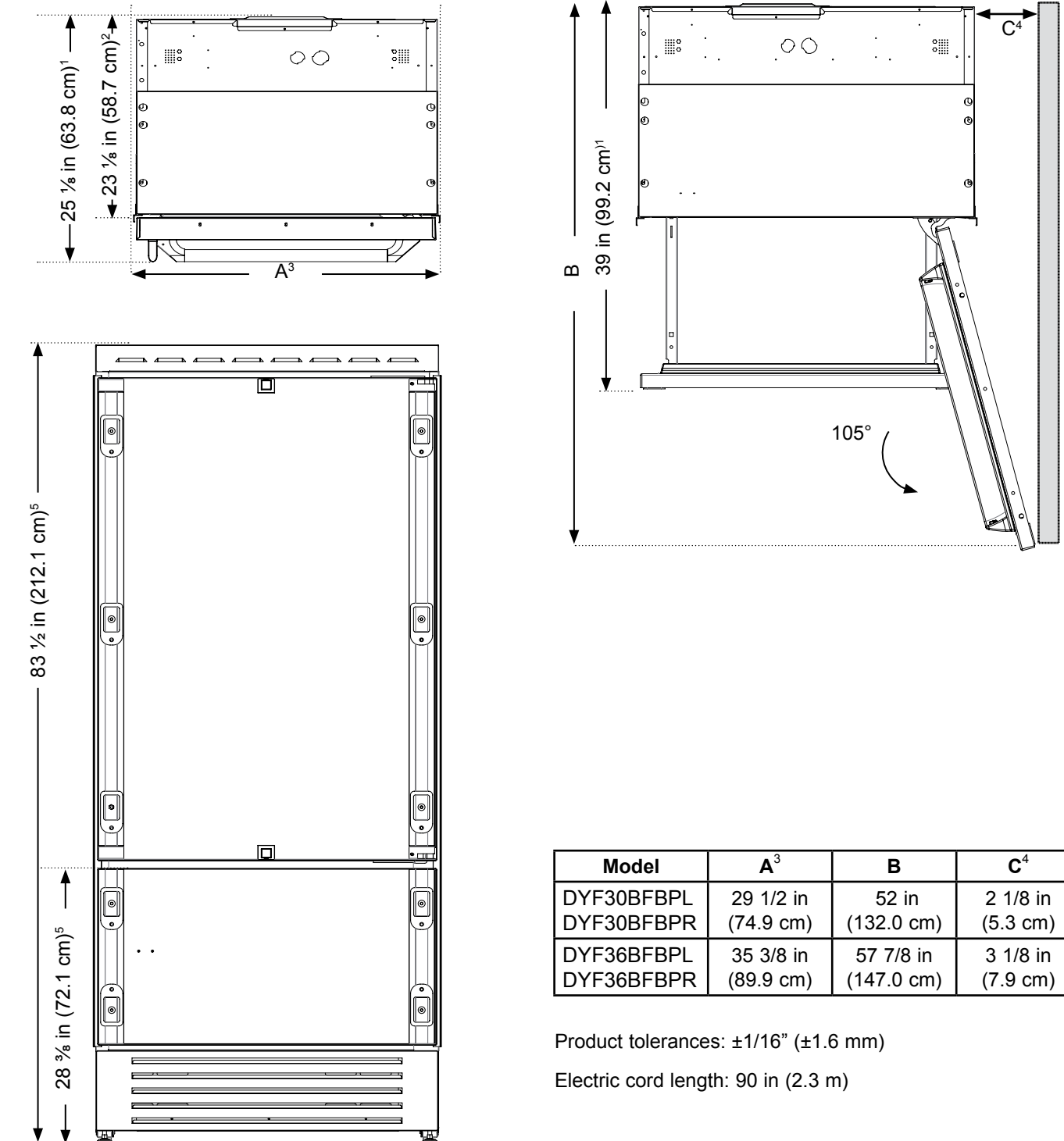
⁷ Height can be increased up to 1 inch (2.5 cm) using the adjustable legs.

Product Specifications

Product Dimensions (cont.)

Product tolerances: $\pm 1/16"$ (± 1.6 mm)

Models DYF30BFBPL DYF30BFBPR, DYF36BFBPL DYF36BFBPR



¹ Excludes depth of custom panel and door handle.

² For cabinet depth, with side trim removed, subtract 3/4 in (1.9 cm)

³ For cabinet width, with side trim removed, subtract 1/2 in (1.3 cm)

⁴ Distance to side wall is required to allow door to open 105 degrees. Does not include custom panel thickness and door handle depth. However, a 90-degree door opening is sufficient to allow all drawers to open to full extension.

⁵ Height can be increased up to 1 inch (2.5 cm) using the adjustable legs.

Installation Specifications

WARNING

Observe all governing codes and ordinances during planning and installation. Contact your local building department for further information.

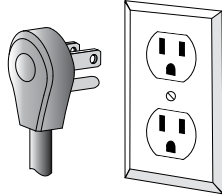
- Unless a whole house **filtration system** is installed, the provided water filter cartridge, should be installed according to the Use and Care Manual.
- Turn off the **ice maker** using the **ICE** key whenever the water supply valve is turned off. The **ICE** key is lit when the ice maker is on.

Electrical Specifications

WARNING

Electrical and grounding connections must comply with the applicable portions of the national electrical code and/or other local electrical codes.

This appliance comes with an electrical cord with a three-prong grounding plug for a 115 Vac, 15 Amp. power supply. Plug it into a 115 Vac, three-prong, grounding electrical outlet only.



Electrical Requirements

Electrical Circuit Requirements:	15 Amp. 115 Vac, 60 Hz. dedicated, grounded, circuit.
Total Connected Load:	See product data label.

Circuit Requirements

The wiring from the electrical outlet shall be connected to a circuit protected by a 15 or 20 Amp. circuit breaker or time delay fuse, installed by a licensed electrician. Do not use an outlet that can be turned off by a switch. Using an electrical outlet with a ground fault interrupter (GFI) is not recommended.

Preparing the Location

WARNING

Follow all cabinet dimensions shown on the following pages to insure safe operation. All minimum product dimensions must be met. Dimensions shown provide the minimum required clearances.

- Your Dacor built-in refrigerator can be installed in a cabinet opening (see facing page) or at the end of a cabinet run, using a custom side panel to cover the exposed side (see page 8).
- Carefully check the location where the appliance is to be installed. Put it in a location with convenient access. The power supply shall meet the **Electrical Specifications**. Also, the utilities need to be installed close by in a cabinet adjacent to the location selected so that the power plug can be disconnected and the water supply shut off without removing the appliance from the cutout.
- The location should allow the refrigerator door and freezer drawer to open freely. See **Product Dimensions**.
- For best performance, locate the refrigerator away from sources of heat such as cooking appliances, household heating outlets or other sources of heat.
- Do not install the appliances in a location where the water line could freeze.
- The floor must be capable of supporting the weight of the appliance.

Water Supply Specifications

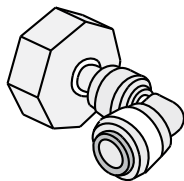
WARNING

The built-in water filter cannot be used to treat water that is not suitable for human consumption. Do not connect this appliance to a water supply that is microbiologically unsafe or of unknown quality without adequate disinfection. Systems certified for cyst reduction may be used on disinfected water that may contain filterable cysts.

Water Supply Requirements

Water Supply Pressure:	25 to 73 p.s.i. (0.17 MPa to 0.50 MPa)
------------------------	--

- The appliance is provided with a fitting for connection to a 1/4-inch polyethylene water line. The customer must provide the water line and any fittings required to connect the water line to the household water supply.
- The water line must be long enough to provide enough slack to allow the refrigerator to be moved for floor cleaning and servicing, without the need to first disconnect the water line.
- The water line must be routed so that no part of it is located in areas that will fall below freezing.



Model	Weight
DYF30BFBPL, DYF30BFBPR DYF30BFB SL, DYF30BFB SR DYF30BFTSL, DYF30BFTSR	606 lb (275 kg)
DYF36BFBPL, DYF36BFBPR DYF36BFB SL, DYF36BFB SR DYF36BFTSL, DYF36BFTSR	650 lb (295 kg)

- The floor must be solid, level and all cutout surfaces must be at right angles.
- In the interest of safety, the surrounding cabinet must have sufficient material for attachment of the anti-tip brackets in the areas shown in the cutout diagrams on the following pages.
- Plan the installation so that the appliance can be removed easily if service is required. Dacor is not responsible for additional service costs charged for removal of customer installed molding or decorative panels to allow access for servicing the refrigerator.

Installation Specifications

Full Built-in Installation

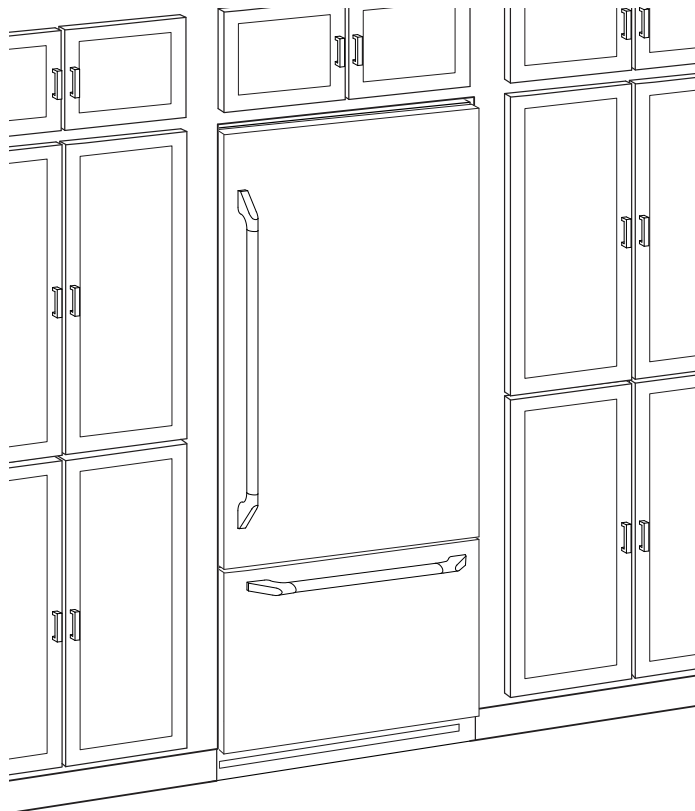
The refrigerator is shipped with the side trim pieces installed. These trim pieces have screw holes that allow the unit to attach to the surrounding cabinets or side panels for a built-in installation using 1/8" diameter wood screws.

These trim pieces may be removed if built-in cabinet depth is limited or if a custom side panel is not required (page 8). Refer to the tables on this page for additional information.

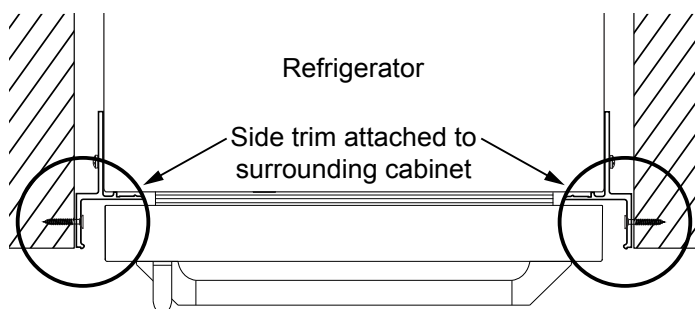
Minimum Cabinet Depth (all models)

These depth dimensions allow for minimum ventilation requirements at the rear of the appliance.

Configuration	Minimum Cabinet Depth
side trim installed	23 7/8 in (60.6 cm)
without side trim installed	23 1/8 in (58.7 cm)

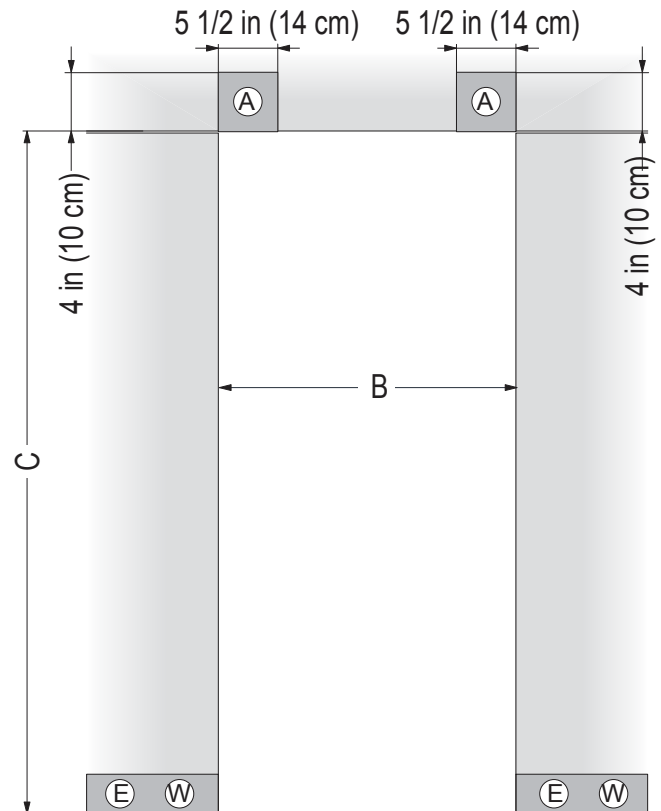


Example of Full Built-in Installation



Full Built-in Installation - Top View

Cutout tolerances: +1/16" (+1.6 mm), -0



Cabinet Cutout - Front View

A: Areas to be left clear for the anti-tip brackets

E: Recommended electrical outlet locations

W: Recommended water supply locations

Models	(B) Cabinet Width for Built-In Installation ¹	(C) Minimum Cabinet Height ²
DYF30BFBPL DYF30BFBPR DYF30BFBSL DYF30BFBSR	29 5/8 in (75.2 cm)	84 in (213.4 cm)
DYF30BFTSL DYF30BFTSR	29 5/8 in (75.2 cm)	84 in (213.4 cm)
DYF36BFBPL DYF36BFBPR DYF36BFBSL DYF36BFBSR	35 1/2 in (90.2 cm)	84 in (213.4 cm)
DYF36BFTSL DYF36BFTSR	35 1/2 in (90.2 cm)	84 in (213.4 cm)

¹ Installation inside a cabinet of this width allows the refrigerator trim to be attached directly to the surrounding cabinets. This width is the minimum that must be kept when the side trim is removed to allow for proper ventilation.

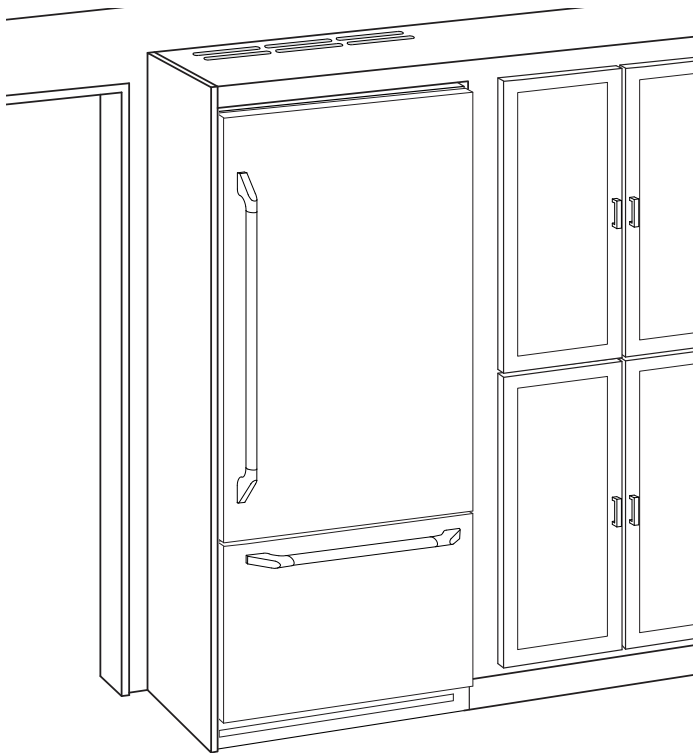
² Installation in cabinets of this height requires that the back of the cabinet be ventilated through the top. Otherwise, a 2-inch increase in cabinet height is required for adequate ventilation.

Installation Specifications

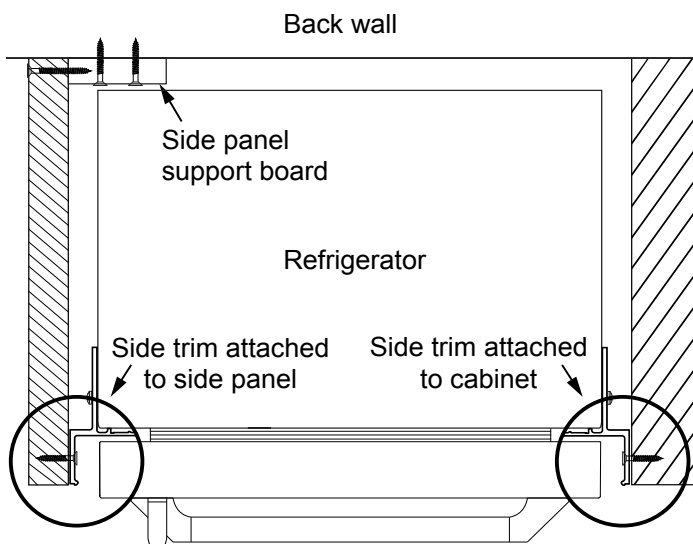
Built-in Installation with Custom Side Panel

Cutout tolerances: +1/16" (+1.6 mm), -0

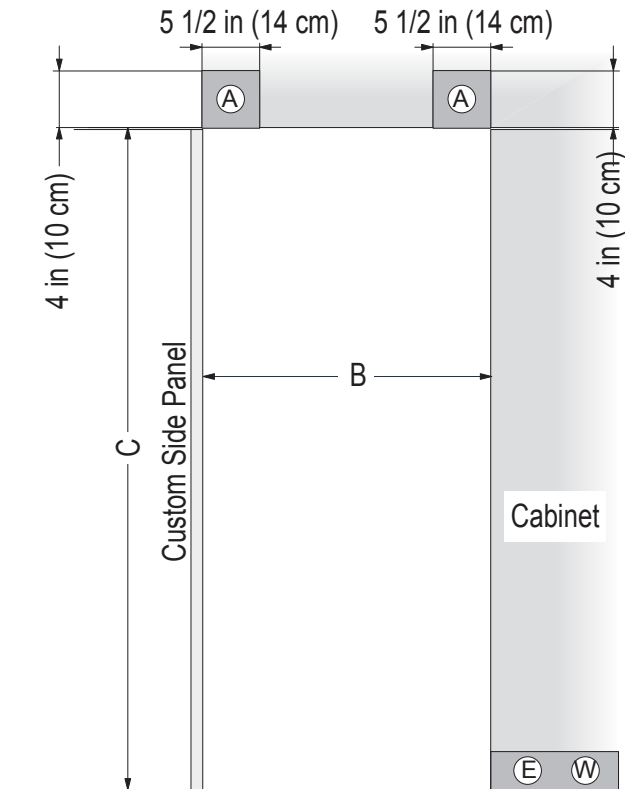
- A custom side panel is necessary when the refrigerator is installed at the end of a cabinet run. The side panel covers the side of the refrigerator chassis.
- The required depth of the side panel is the same as the depth of the cabinet on the opposite side of the unit.
- A support board is mounted to the wall behind the refrigerator. It will act as a bracket to attach the custom side panel to the wall behind the refrigerator.
- The refrigerator is shipped with the side trim pieces pre-installed. These trim pieces have screw holes that allow the unit to be attached to the cabinet and side panel using 1/8" diameter wood screws.
- See tables on this page for cutout dimensions.



Example of Built-in Installation with Custom Side Panel



Built-in Installation with Custom Side Panel - Top View



Cabinet Cutout with Custom Side Panel - Front View

A: Area to be left clear for the anti-tip brackets

E: Recommended electrical outlet location

W: Recommended water supply location

Minimum Cabinet Depth: 23 7/8 in (60.6 cm)

Models	(B) Cabinet Width for Built-In Installation ¹	(C) Minimum Cabinet Height ²
DYF30FBPPL DYF30FBFPR DYF30BFBSL DYF30BFBSR	29 5/8 inches (75.2 cm)	84 inches (213.4 cm)
DYF30BFTSL DYF30BFTSR	29 5/8 inches (75.2 cm)	84 inches (213.4 cm)
DYF36FBPPL DYF36FBFPR DYF36BFBSL DYF36BFBSR	35 1/2 inches (90.2 cm)	84 inches (213.4 cm)
DYF36BFTSL DYF36BFTSR	35 1/2 inches (90.2 cm)	84 inches (213.4 cm)

¹ Installation inside a cabinet of this width allows the refrigerator trim to be attached directly to the surrounding cabinets.

This width is the minimum that must be kept when the side trim is removed to allow for proper ventilation.

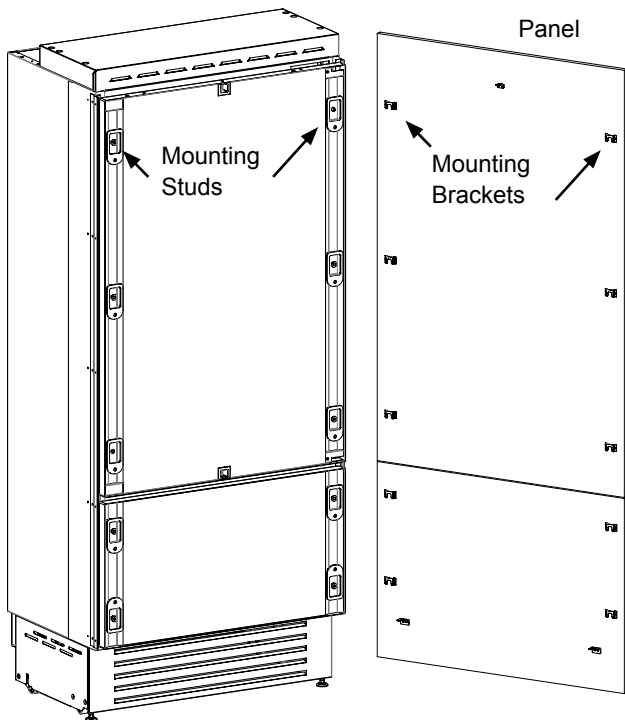
² Installation in cabinets of this height requires that the back of the cabinet be ventilated through the top. Otherwise, a 2-inch height increase in cabinet height is required for adequate ventilation.

Installation Specifications

Custom Door Panel Overview

Models DYF30BFBPL, DYF30BFBPR, DYF36BFBPL and DYF36BFBPR Only

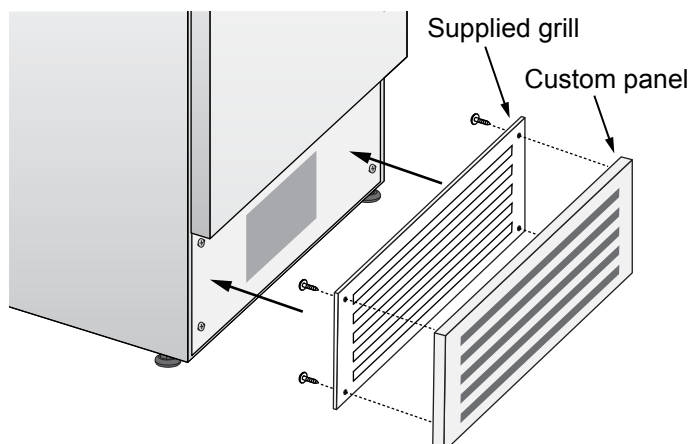
- Custom overlay panels and handles for the above models allow you to blend the exterior of your refrigerator into your overall kitchen décor.
- The panels are mounted and adjusted using the supplied mounting hardware.
- The mounting brackets attach to your custom panels. The brackets slip over the mounting studs installed on the front of the refrigerator door and freezer drawer. See the following pages for panel and mounting dimensions and specifications.



Mounting Hardware for Custom Panel

Custom Grill Cover

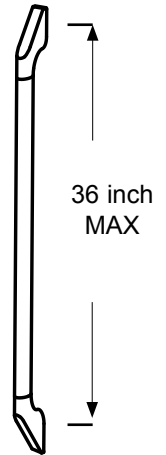
The refrigerator grill does not come with hardware for attaching a custom grill panel. However, it is possible to create a custom panel for the grill by using the dimensions on page 12, to avoid loss of air flow. The custom panel attaches by drilling holes in the existing magnetically attached (white) grill and using wood screws to secure it.



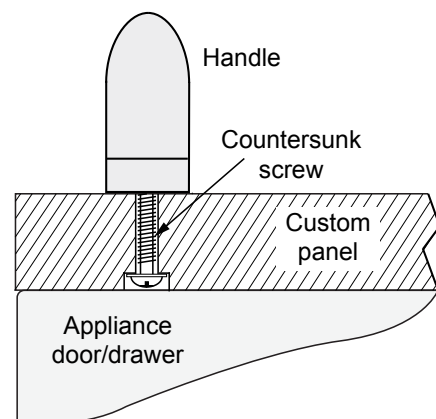
Handle Specifications

Before installing the custom panels, you must first install the door/drawer handles.

- With custom panel models, you have the advantage of being able to select a handle style that meets your own personal taste. Dacor recommends handles with larger D-style pulls. Any handle designed for use with an appliance should produce satisfactory results.
- Handles are not provided with custom panel models. Selected handle kits are available through your Dacor dealer. Dacor does not advise the use of single pull knobs.
- Most handle kits do not include the necessary mounting screws because screw lengths varies with panel thickness.
- The panel craftsman needs to select and purchase the required fasteners for the installation. The screw heads must be countersunk into the panel to prevent interference during depth adjustment (page 15).



Customer Supplied D-Style Handle



Handle Installation for Units with Custom Door Panels - Top View

Installation Specifications

Custom Door Panel Construction

Models **DYF30BFBPL**, **DYF30BFBPR**, **DYF36BFBPL** and **DYF36BFBPR** Only

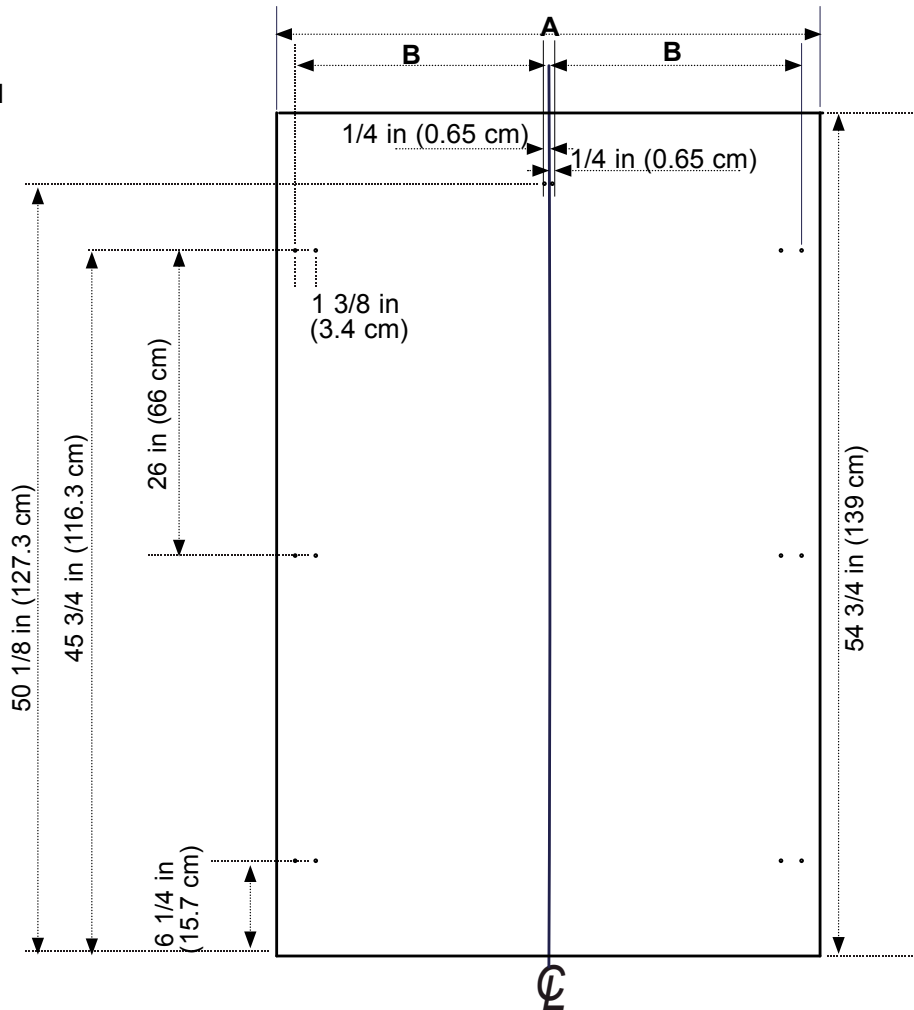
The door and freezer panels can extend above and below the edges of the unit. The dimensions can be adjusted according to your unique and specific requirements, cabinetry setup, and design style.

- Use a 1/16" drill bit for all holes.
- **Be careful not to penetrate the front finish.**

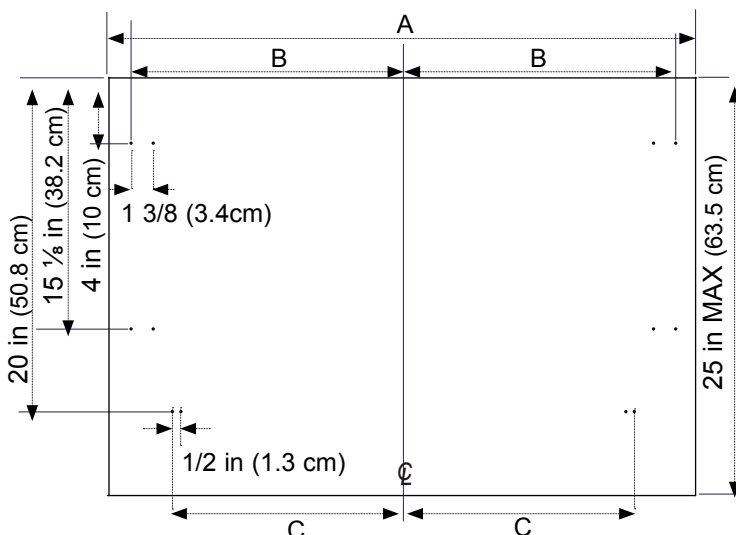
Panel Weight/Thickness Specifications		
	Refrigerator Door	Freezer Drawer
Maximum Weight	51 lb (23 kg)	25 lb (11 kg)
Panel Thickness	3/4 in (18 mm) min. 1 1/8 in (28 mm) max.	3/4 in (18 mm) min. 1 1/8 in (28 mm) max.

Tolerances: ±1/16" (±1.6 mm)

Refrigerator Door Panel



Freezer Drawer Panel



Refrigerator Door Tolerances: ±1/16" (±1.6 mm)

	DYF30BFBPL	DYF36BFBPL
	DYF30BFBPR	DYF36BFBPR
A	29 3/8 in (74.7 cm)	35 1/4 in (89.7 cm)
B	13 1/2 in (34.2 cm)	16 1/2 in (41.7 cm)

Freezer Drawer Tolerances: ±1/16" (±1.6 mm)

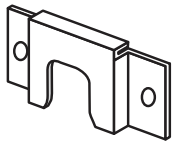
	DYF30BFBPL	DYF36BFBPL
	DYF30BFBPR	DYF36BFBPR
A	29 3/8 in (74.7 cm)	35 1/4 in (89.7 cm)
B	13 1/2 in (34.2 cm)	16 1/2 in (41.7 cm)
C	11 in (27.95 cm)	14 in (35.45 cm)

Installation Specifications

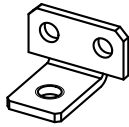
Details of the bracket hardware used on the panels.

Install the brackets according to the templates on page 10:

- Mounting Brackets
- Leveling Bracket (refrigerator)
- Leveling Bracket (freezer)



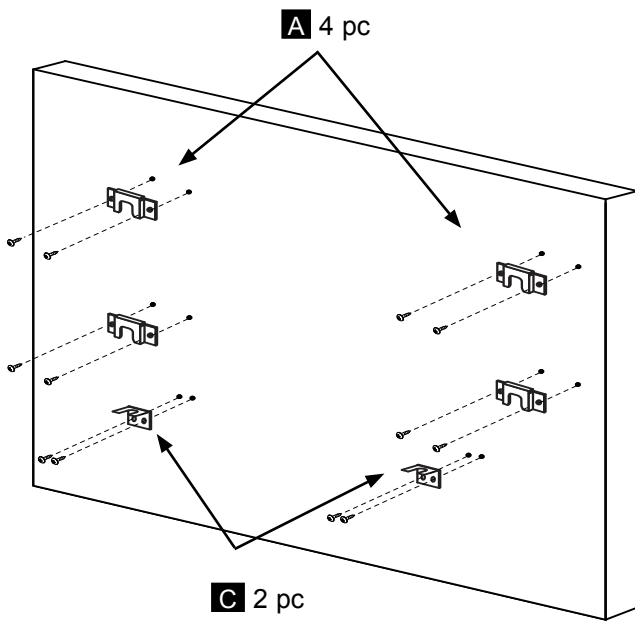
A - Mounting bracket



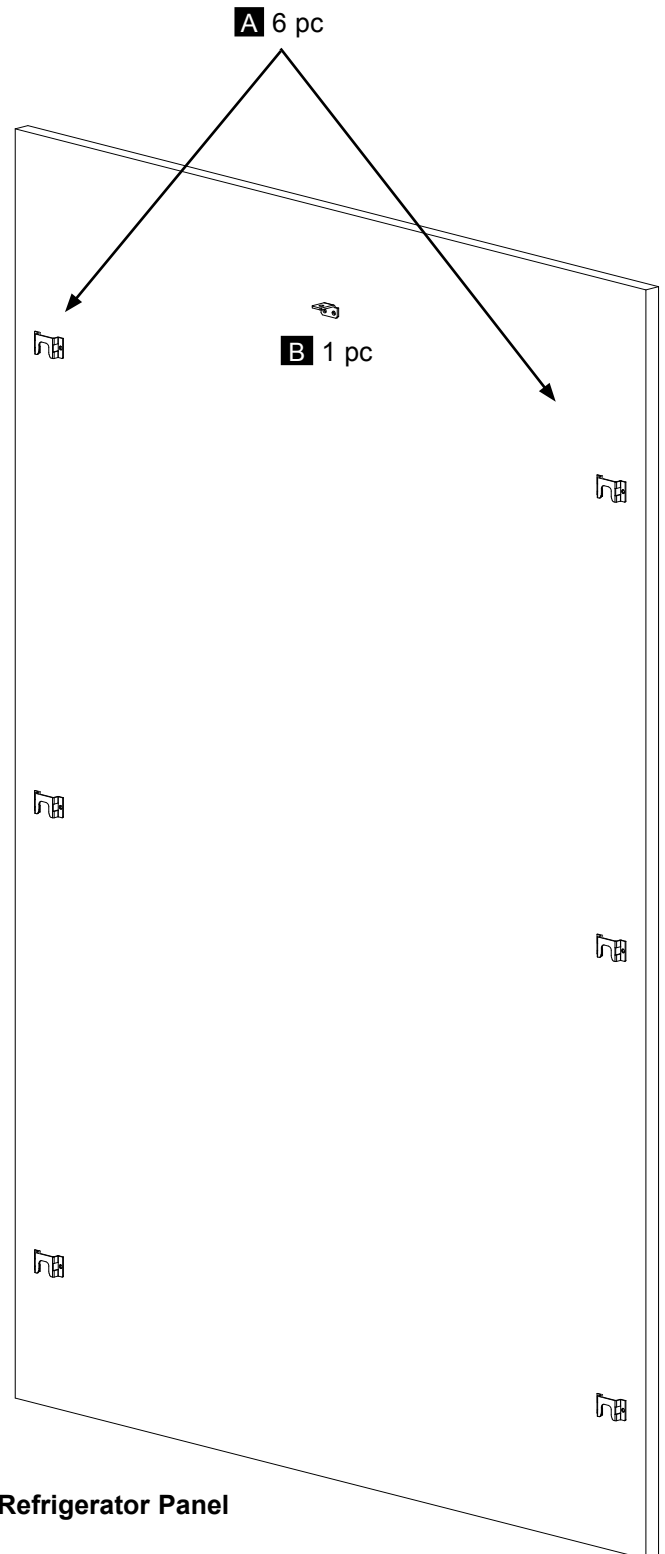
B - Refrigerator door (top) leveling bracket



C - Freezer drawer (bottom) leveling bracket



Freezer Panel



Refrigerator Panel

Installation Specifications

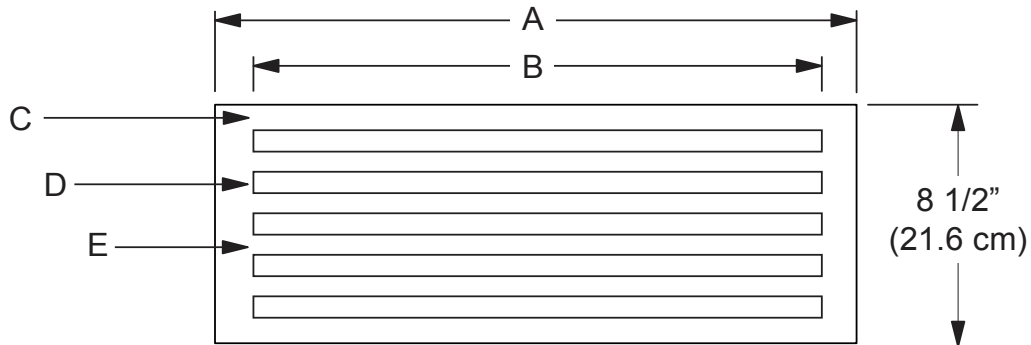
Custom Grill Panel Construction

Optional for models DYF30BFBPL, DYF30BFBPR, DYF36BFBPL and DYF36BFBPR.

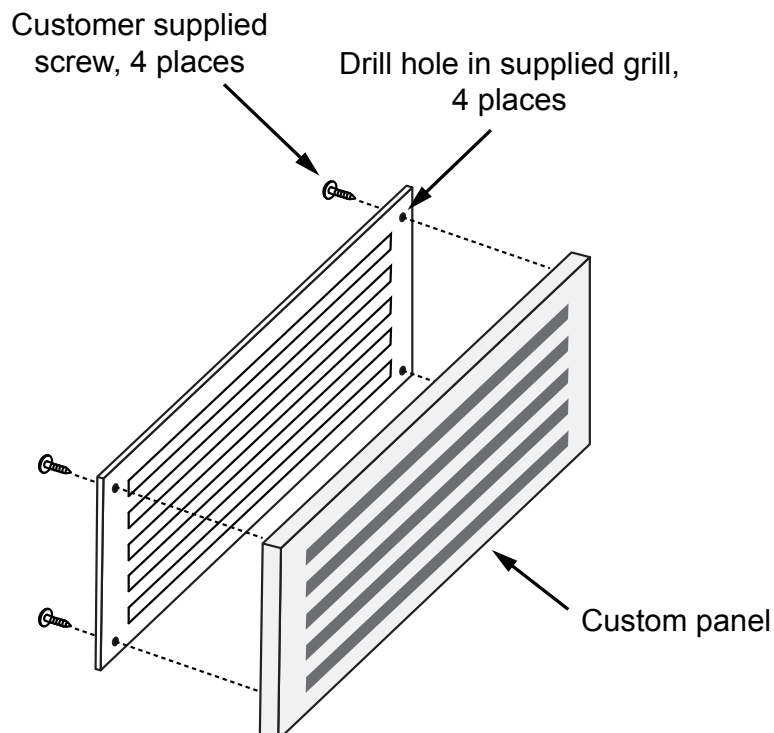
Construct the custom grill panel to the dimensions below.

Tolerances: $\pm 1/16$ " (± 1.6 mm)

Grill Panel Weight/Thickness Specifications	
Maximum Weight	10 lb (4.5 kg)
Panel Thickness	3/4" (18 mm) min. 1 1/8" (28 mm) max.



	DYF30BFBPL DYF30BFBPR	DYF36BFBPL DYF36BFBPR
A	29 3/8" (74.7 cm)	35 1/4" (89.7 cm)
B	27 7/8" (708 mm)	27 7/8" (708 mm)
C	13/16" (20 mm)	13/16" (20 mm)
D	5/8" (15 mm)	5/8" (15 mm)
E	15/16" (25 mm)	15/16" (25 mm)



Installation Instructions

Unpacking the Refrigerator

1. Wait to remove the packing materials and tape from the inside and outside of the unit until it is moved into the house. It is best to leave the unit on the shipping pallet until it is positioned in front of the cabinet cutout.
2. Verify that all required components have been provided. Inspect the unit for shipping damage (including cosmetic damage). If any item is missing or damaged, please contact your dealer immediately. Do not install a damaged or incomplete appliance.

Parts included

- 1/4" to 3/4" self-locking water supply line adapter
- Anti-tip bracket kit with fasteners
- Water filter
- Ice scoop
- Cleaning cloth
- Cleaning sponge
- User manuals
- Grill (bottom grill units only, ships in place on some models, on others, it is taped to the back or side of the unit)
- Kick panel (top grill units only, taped to back or side of unit)
- Trim covers, white (taped to the back or side of the unit)
- Custom panel mounting kit - for model numbers ending in PL and PR only
- Vinyl door trim - for model numbers ending in PL and PR only

Tools/parts required for installation (not provided)

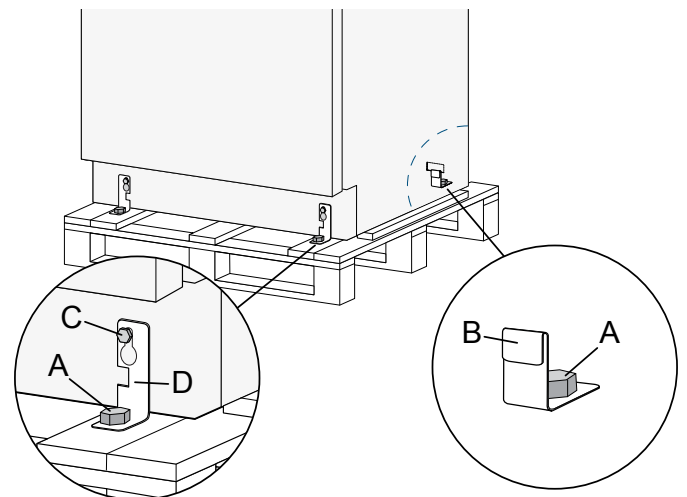
- 1/4" O.D. plastic water line
- Fittings necessary to connect water line to household water supply
- 1/8 inch diameter wood screws (required if side trim will be attached to surrounding cabinets or if custom side panels will be used, 5 required per side)
- Phillips head screwdriver
- Electric drill
- 1/16" (2 mm) drill bit for wood
- 3/8" (8 mm) bit for walls
- Crescent wrench

Make sure you have everything necessary for proper installation before proceeding.

Moving the Unit Into the House

WARNING

- **TIP OVER HAZARD:** This appliance is large, heavy and tips easily when not installed. Always transport in an erect position if possible. If this is not possible, transport laying on the back side. Keep doors taped shut during transport.
 - Move and install with a minimum of two persons.
 - Be very careful to avoid floor damage. Delicate flooring should be protected with plywood, hard cardboard, or similar material.
1. Before transporting the appliance, check access to the location where it will be installed (door size, maneuvering space in stairwells, etc.).
 2. Use a dolly to transport. Once at the final location, remove the appliance from the pallet as instructed below. The unit is equipped with rollers to allow it to be pushed into place after connection of the water supply and power.
 3. Take a crescent wrench, and remove the four (4) screws bolted to the pallet **A**.
 4. Lift and remove the two (2) L- brackets from the rear of the refrigerator **B**.
 5. Lift and remove the two (2) L- brackets on the front of the refrigerator **D**.
 - If necessary, use a crescent wrench to loosen the bolts **C**. Turn twice to release, then retighten. Do not overtighten.
 6. With the help of at least one additional person, remove the refrigerator from the pallet.



Installation Instructions

Custom Panel Installation

Models **DYF30BFBPL, DYF30BFBPR, DYF36BFBPL and DYF36BFBPR Only**

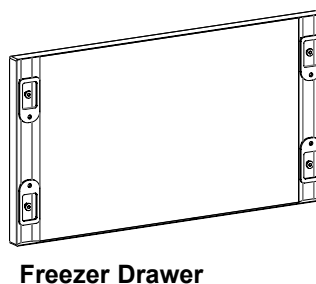
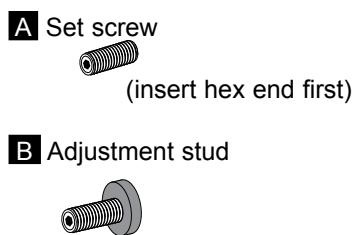
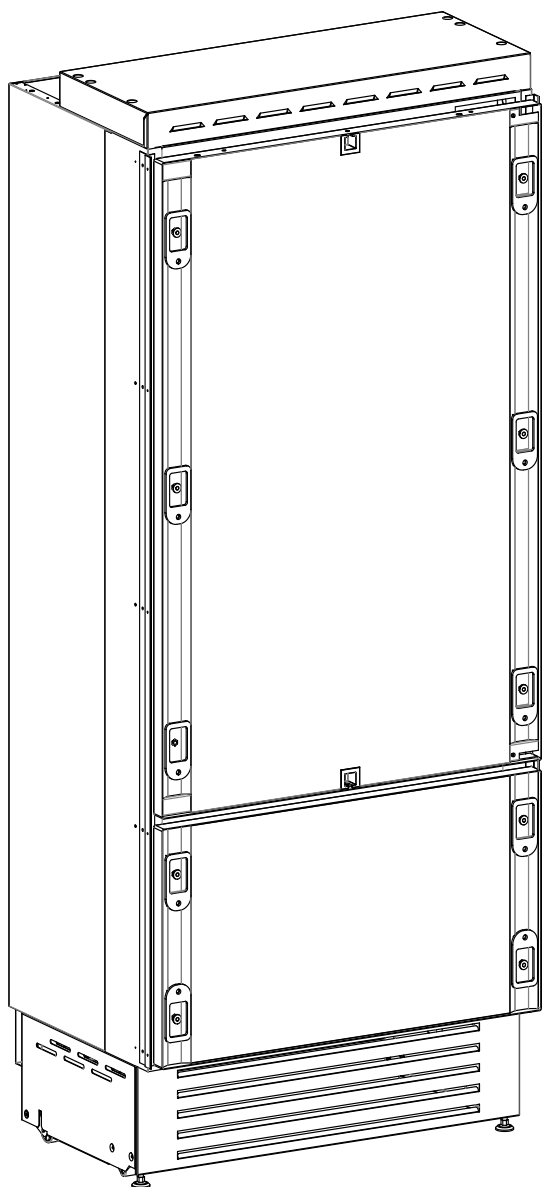
NOTE: Before proceeding with door panel installation, all mounting brackets must be installed according to the panel specifications starting on page 9.

Handle Installation

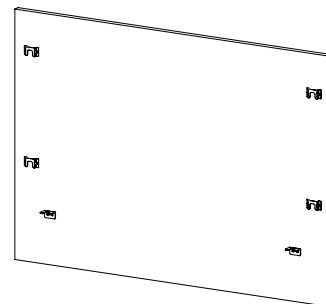
Install the door handles on the custom panels according to the handle installation instructions prior to custom panel installation. Reference the **Handle Specifications** on page 9.

Preparing for Installation

1. Make sure that all tape has been removed from the door.
2. Hand thread the ten (10) set screws **A**. Insert the hex end first, and thread each set screw as deep as possible.
3. Hand thread the ten (10) adjustment studs **B**. Each stud will grip the panel hardware, so thread the stud only until half remains above the surface.



Freezer Drawer

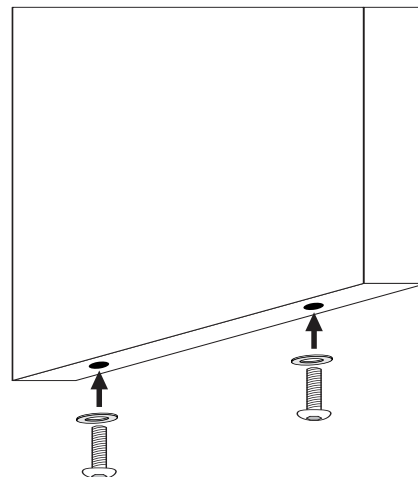


Freezer Drawer Panel

Freezer Drawer Panel Installation

1. Make sure that all tape has been removed from the drawer.
2. Place washers on two (2) of the hex bolts. Hand thread the two bolts into the holes in the bottom of the freezer drawer. Thread each bolt half way.
3. Attach the freezer drawer panel to the freezer drawer by hooking the four (4) brackets on the panel over the adjustment studs (previously installed).

Wait to make final adjustments until the refrigerator door panel is in place.

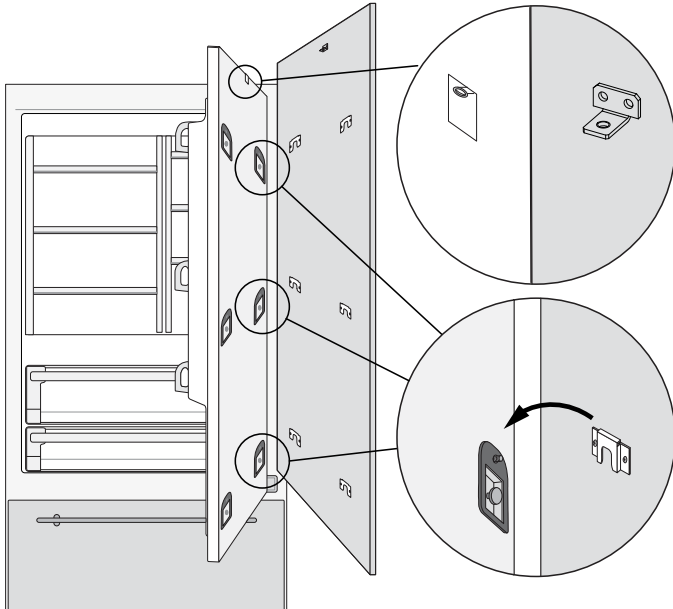


Bottom of Freezer Drawer

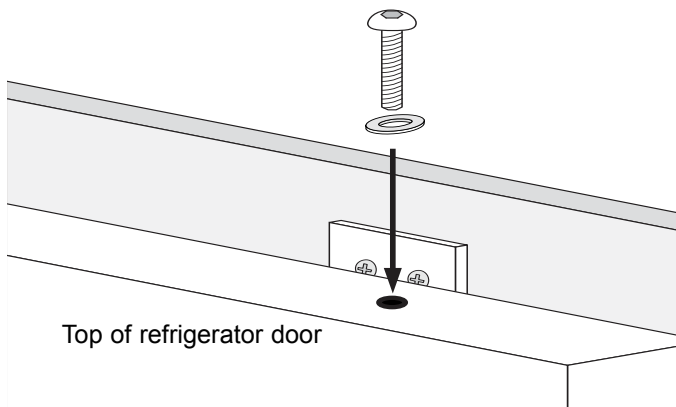
Installation Instructions

Refrigerator Door Panel Installation

1. Attach the refrigerator door panel to the refrigerator face by hooking the six (6) brackets on the back of the custom panel over the adjustment studs on the door face. During installation, the adjustment brackets on the top of the panel need to be inserted into the slots at the top of the door face.

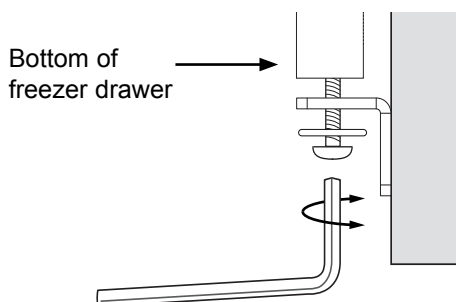


2. Place a washer on one of the hex bolts. Hand thread it into one of the holes in the top of refrigerator door. Thread it half way. Do the same for the other hole.

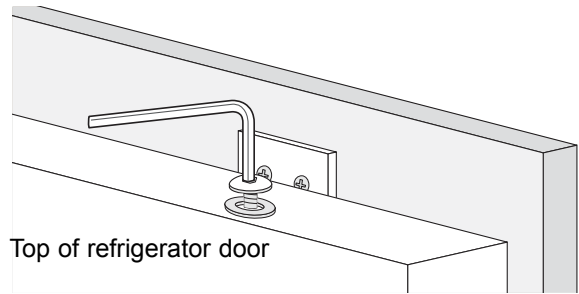


Final Panel Alignment

1. Align the freezer drawer panel vertically and horizontally by adjusting the bolts on the underside of the freezer drawer face using the hex wrench (included).



Align the refrigerator door panel vertically and horizontally by adjusting the bolts on the top of the refrigerator door face using the hex wrench.



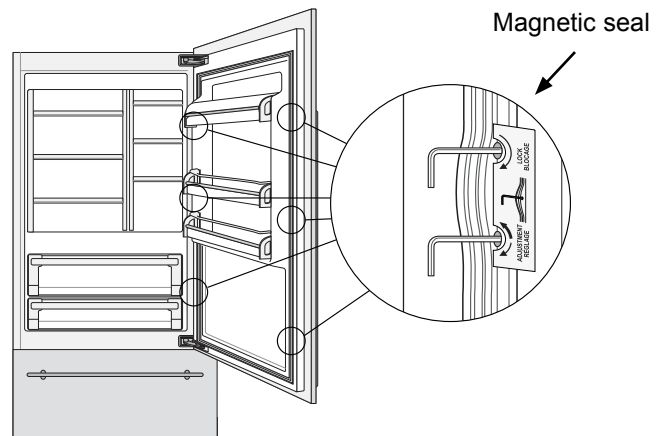
To Adjust the Depth of the Panels

1. Push the magnetic seal aside on the back side of the refrigerator door face and the freezer drawer face to expose the adjustment holes.
 - There are 3 sets of adjustment holes on each side of the refrigerator door and 2 sets of holes on each side the the freezer drawer. See diagrams below.
2. Insert the hex wrench into the holes labeled ADJUSTMENT and turn to adjust the panel depth.
3. Lock the the panel into place by inserting the hex wrench into the holes labeled LOCK and turning each set screw clockwise until it stops. See diagrams below.

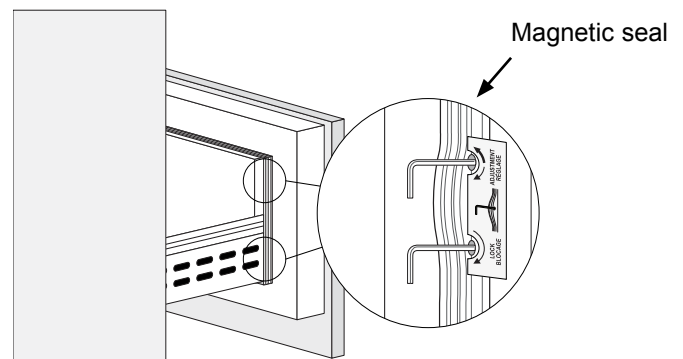


IMPORTANT

To ensure the doors shut correctly, pull the magnetic seals back into position so that they are straight.



Panel Depth Adjustment (Refrigerator)



Panel Depth Adjustment (Freezer)

Installation Instructions

Connecting the Power

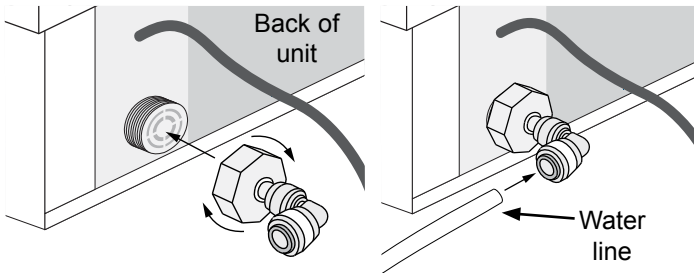
1. Unwind the power cord and connect it directly to the electrical outlet.
2. Make sure the appliance is in Stand-by mode (Stand-by is flashing on the control panel display) and that all lights are off. If the unit is not in Stand-by mode, touch the **ON/OFF** key to turn it off.
3. Also make sure the **ICE** light on the control panel is off. If it is on, touch the **ICE** key to turn it off.

ON/OFF

Water Supply Connection

Units with grill on bottom:

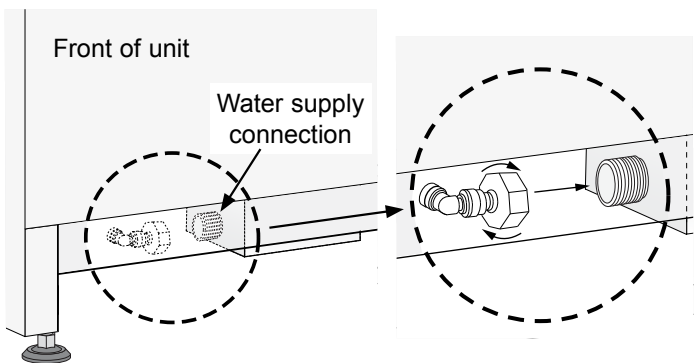
1. Connect one end of a 1/4 inch O.D. polyethylene water line to the household water supply valve.
2. Hold the other end of the water line over a bucket. Turn on the water valve to flush out impurities and air. When the water is clear, turn off the valve.
3. Connect the water supply fitting to the back of the refrigerator as shown below. Make sure it is tightened firmly into place, but do not overtighten.
4. Insert the end of the water line into the self locking water supply fitting as shown below. Push in until it stops.



5. Turn on the water valve and check for leaks. Tighten connections as necessary.

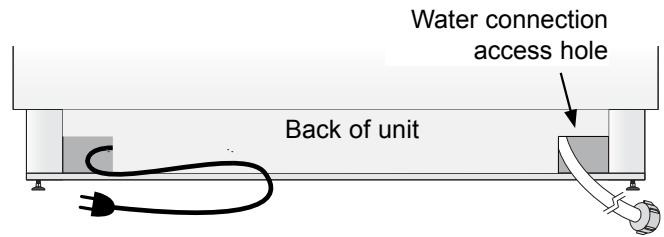
Units with grill on top:

1. Reach under the bottom front of the unit and connect the water supply fitting to the water supply connection, as shown below. Tighten it firmly into place, but do not overtighten.

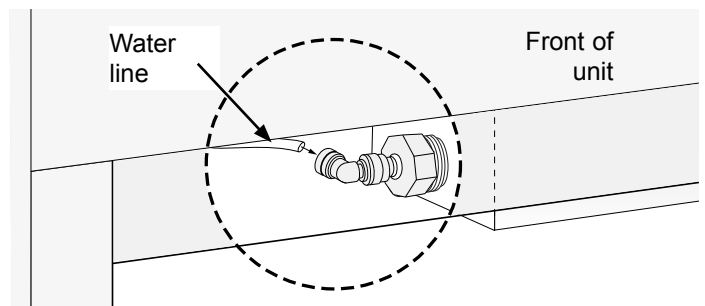


2. Connect one end of a 1/4 inch O.D. plastic water line to the household water supply valve.

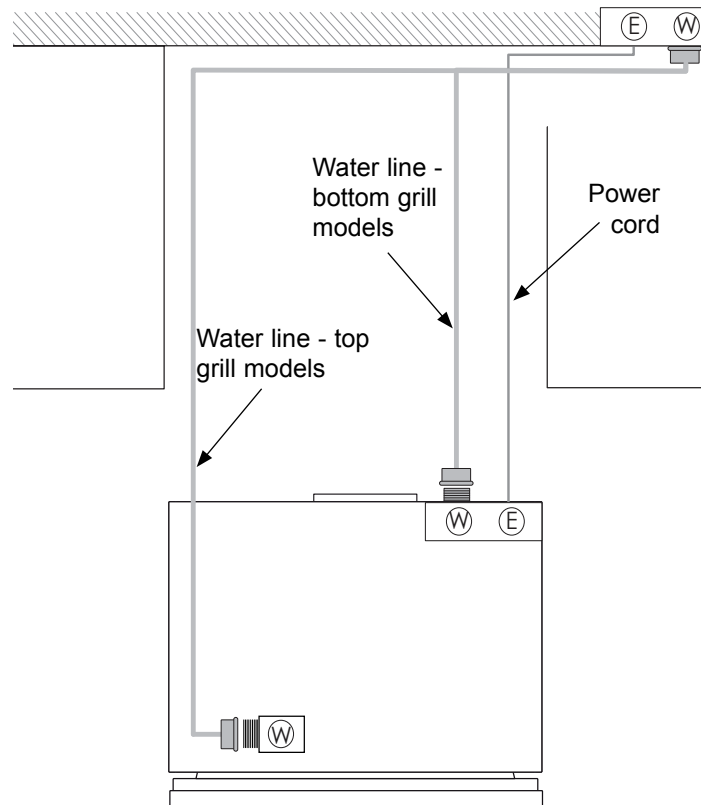
3. Insert the water supply line into the water connection access hole on the back of the unit as shown.



4. Reach through the opening on the bottom front of the unit, and pull the end of the water line out of the front. Hold it over a bucket. Turn on the water valve and flush out impurities and air. When the water is clear, turn off the valve.
5. Insert the end of the water line into the self locking water supply fitting as shown below. Push in until it stops.



6. Turn on the water valve and check for leaks. Tighten connections as necessary.



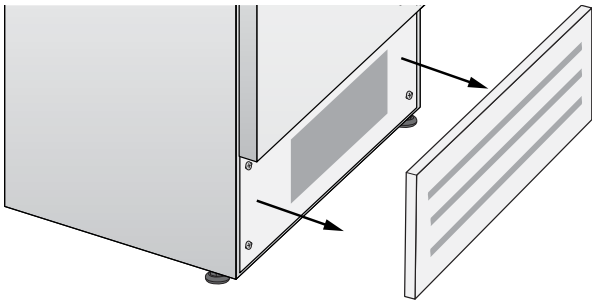
E = Electrical Connection **W** = Water supply connection

Utility Connections - Top View

Installation Instructions

Moving the Unit into Final Position

1. If a custom side panel will be installed on one side of the unit, attach the required support board to the wall prior to pushing the unit into position (see page 18).
2. Before moving the unit to its final position, make sure the front leveling legs are in the up position. Using a crescent wrench, turn the legs **A** (see diagram below) to the right until they clear the floor. On some bottom grill models, you may need to remove the grill to access the legs.



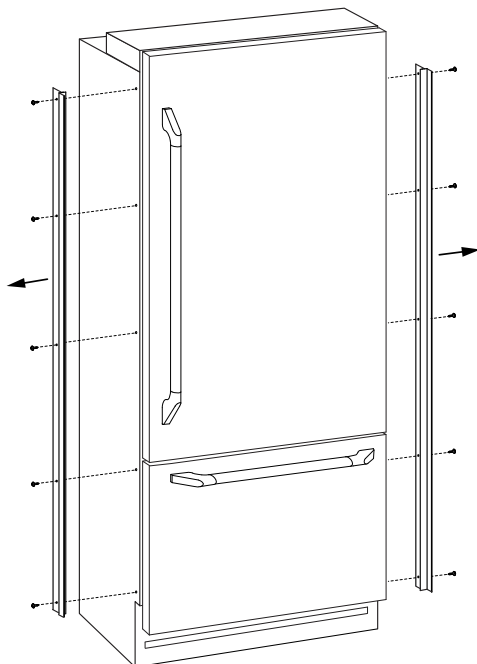
WARNING

- Be careful when installing or removing the appliance to reduce the likelihood of damage to the floor, to the power cord and the water supply line.
- After moving the unit into place, be sure to lower the front leveling legs to help support the refrigerator. See **Leveling**.

3. Remove the trim covers taped to the back or side of the unit. On some models the ventilation grill or kick panel is taped to the unit and needs to be removed before performing the following steps.

If the unit is to be installed without the side trim attached (the unit will not be attached to the surrounding cabinets):

4. Remove the screws that hold the side trim pieces in place.



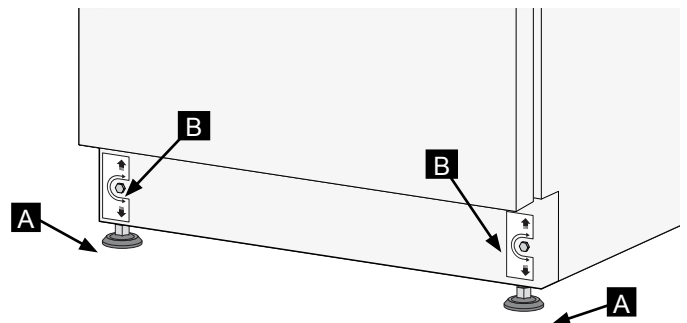
**Side Trim
Showing Screws**

5. Slowly and gently push or walk the unit backward into place. As you do this, have someone gently pull the water supply line's slack and power cord's slack through the access holes into the adjacent cabinetry. This will help prevent the unit from landing on the line and cord.

Leveling

Use the leveling feet to level the appliance all directions. On units with a bottom grill, make sure that the grill is removed before proceeding.

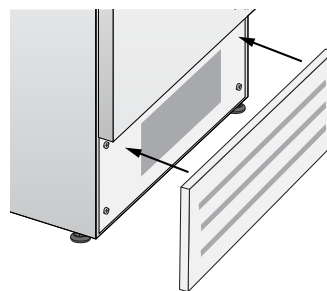
1. Adjust the height of the front legs **A** by turning them with a crescent wrench.
2. Adjust the height of the rear wheels by turning the adjusting bolts **B** located on the front of the unit.



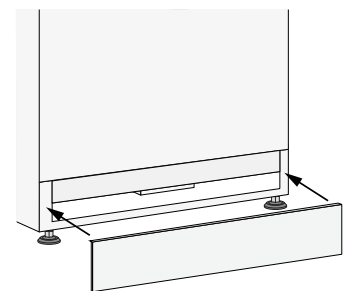
IMPORTANT: The leveling legs must contact the floor to properly support the weight of the refrigerator. The front rollers are for moving the refrigerator and not for permanent support.

3. Some units have a plastic coating over the grill or kick panel. Remove any plastic coating on the grill or kick panel (depending on the model). Install the grill/kick panel on the bottom of the unit, behind the freezer drawer. The grill/kick panel is held in place by magnets.

continued...



**Grill Installation -
Bottom Grill Models**



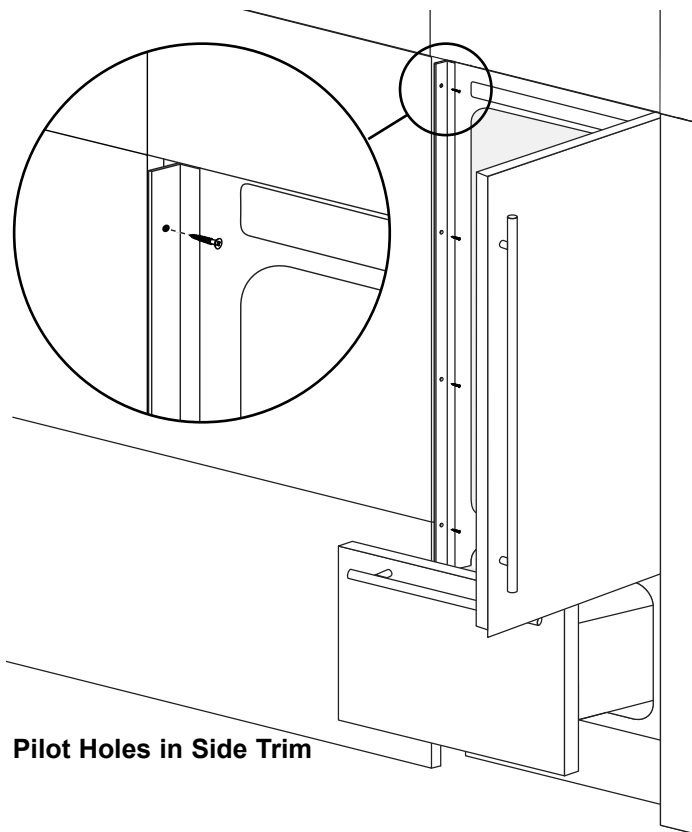
**Kick Panel Installation -
Top Grill Models**

Installation Instructions

Final Installation

Attach Unit to Cabinets (optional)

1. Drill pilot holes for the wood screws through the side trim into the adjoining cabinet(s).
 2. Attach the appliance to the adjacent cabinets using 1/8 inch diameter wood screws.
- If a custom side panel will be installed, see the side panel attachment instructions.
3. After tightening the screws into place, open and close the refrigerator door and freezer drawer to check for interference.

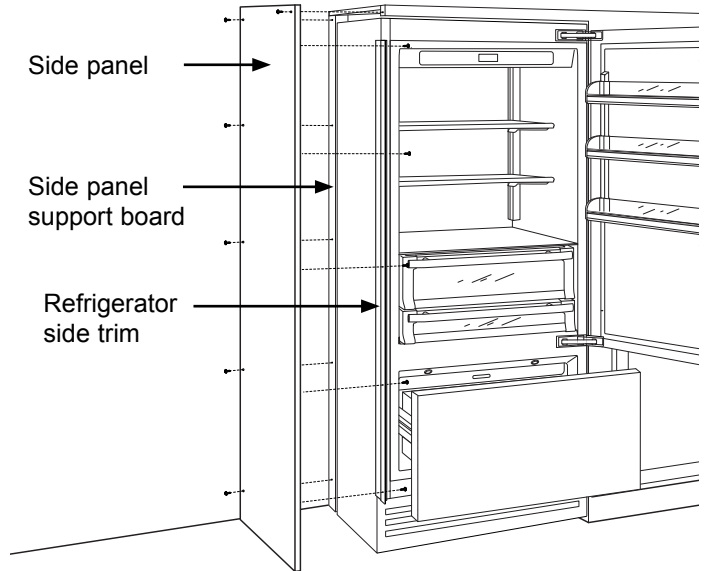


Pilot Holes in Side Trim

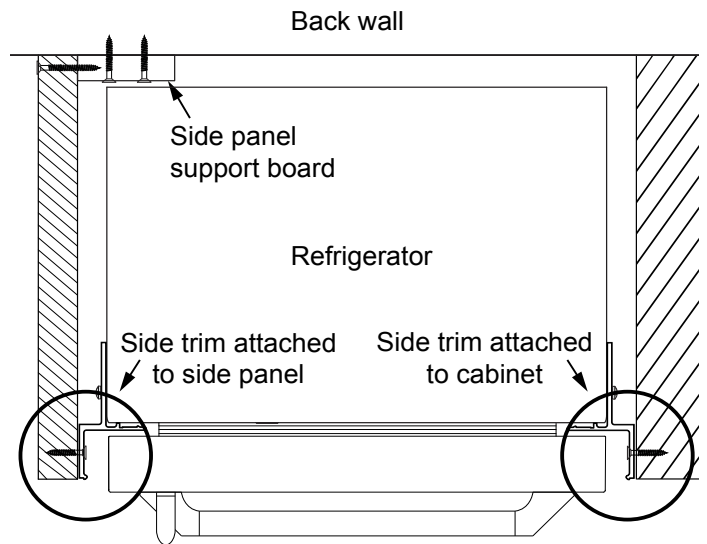
Attach Custom Side Panel (optional)

IMPORTANT: Dacor is not responsible for additional service costs charged for removal of customer installed molding or decorative panels required to service the refrigerator.

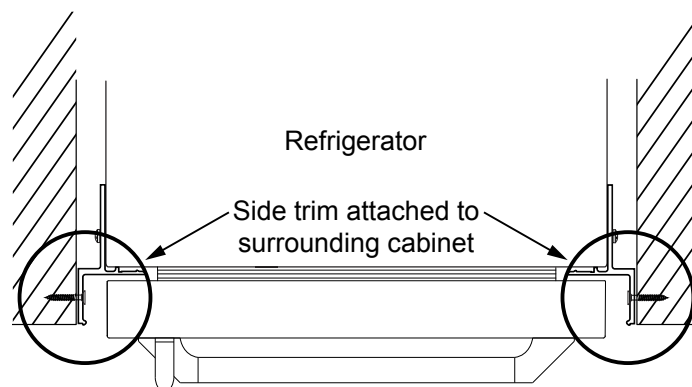
1. Attach the side panel to the support board in back and attach to the refrigerator trim piece in front.
2. See diagrams below.



Built-in Installation with Side Panel - ISO View



Built-in Installation with Side Panel - Top View

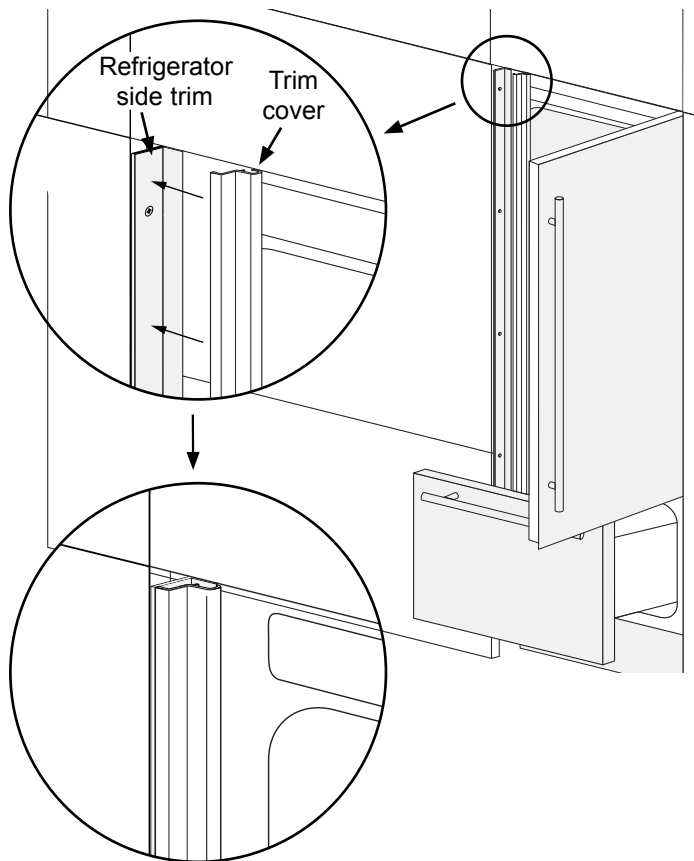


Full Built-in Installation - ISO View

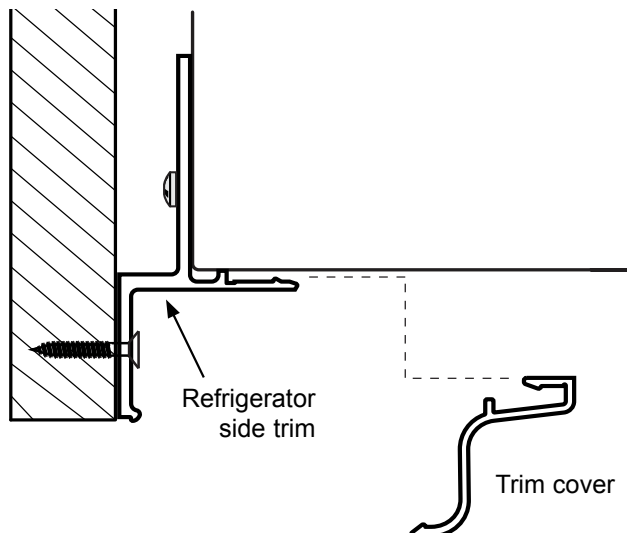
Installation Instructions

Attach Trim Covers (optional)

1. The trim covers cover the inner surface of the side trims and the screws heads.
2. To install the side trim pieces, open the refrigerator door and freezer drawer to access the inner surfaces of the side trims.
3. Slide the trim covers into place, as shown, until they "click" into place. See diagrams below.
4. Close the doors.



Trim Cover Installation - ISO View



Trim Cover Installation - Top View

Anti-tip Bracket Installation

It is mandatory to install the anti-tip brackets (included) on the upper part of the refrigerator and secure it to the wall. The method of installation depends on the appliance model.

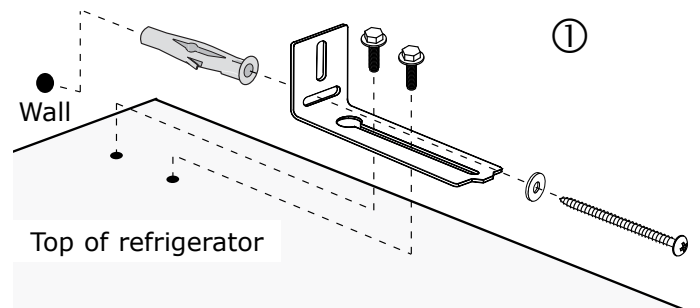
Anti-tip Bracket Installation for Bottom Grill Models

Models DYF30BFBSL DYF30BFBSR, DYF36BFBSL DYF36BFBSR, DYF30BFBPL DYF30BFBPR, DYF36BFBPL DYF36BFBPR

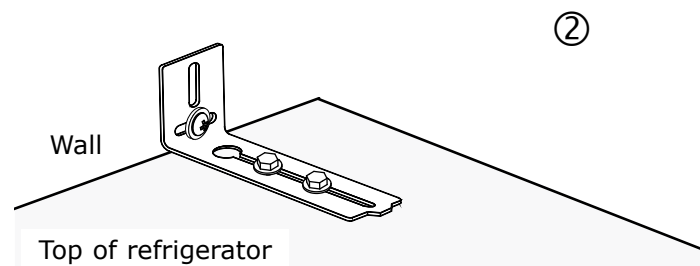
Read and familiarize yourself with the diagrams below before beginning the following bracket installation.

1. Place a anti-tip brackets (included) on the top of the appliance.
2. Line up the bottom slot in the bracket with the screw holes on the top of the appliance. See diagrams below.
3. Use the slot on the bracket to mark the hole position on the wall.
4. Remove the bracket and drill a 3/8" (8 mm) hole in the wall at the point marked in step 2. Insert the provided wall anchor into the wall.
5. Reposition the bracket and attach it to the top of the refrigerator. Use two (2) of the machine screws in the anti-tip bracket kit (included).
6. Attach the bracket to the wall with one (1) wood screw. Repeat the above steps for the other anti-tip bracket.

Bottom Grill Models



Anti-Tip Parts Detail



Anti-Tip Finished Install

Installation Instructions

Anti-tip Bracket Installation for Top Grill Models

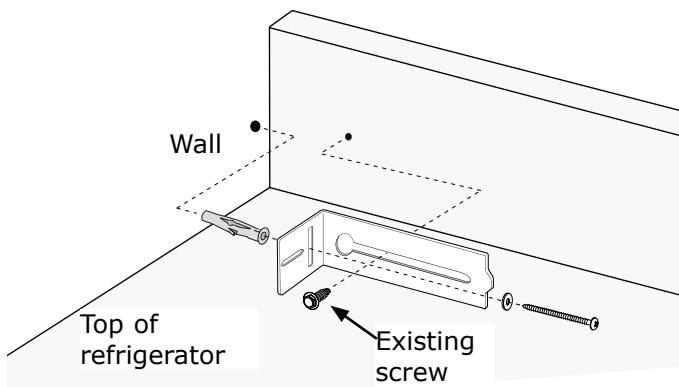
Models DYF30BFTSL DYF30BFTSR, DYF36BFTSL DYF36BFTSR

Read and familiarize yourself with the diagrams below before beginning the following bracket installation.

1. Remove the sheet metal screw located at the top back of the appliance, located inside the chassis, on the right side (see diagrams below).
2. Use the screw removed in step 1 to loosely attach the anti-tip bracket to the appliance. Push the back of the bracket up against the wall.
3. Use the slot on the bracket to mark the hole position on the wall.
4. Rotate the bracket out of the way, and drill a 3/8" (8 mm) hole in the wall at the point marked in step 3.
5. Insert the wall anchor into the wall.
6. Reposition the bracket against the wall and tighten the sheet metal screw.
7. Attach the bracket to the wall using a wood screw.
8. Repeat the above steps for the other anti-tip bracket.

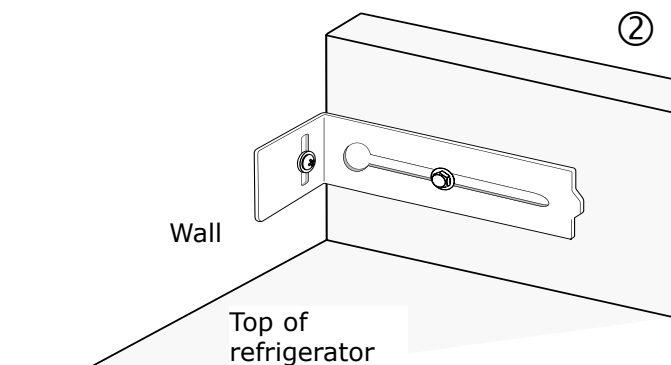
Top Grill Models

①



Anti-Tip Parts Detail

②



Anti-Tip Parts Detail

Verifying Operation

1. Read the use and care manual completely before using the refrigerator.
2. When the appliance is first plugged in, **Stand by** should appear on the display.
3. Turn to the **Switching On and Off** in the **Operation** section of the use and care manual for first time start up instructions.
4. After turning on the refrigerator turn to **Using the Ice Maker for the First Time** on the following page of the use and care manual for important information on setting up the ice maker.



IMPORTANT

Adjustment of the control panel settings is not possible when the refrigerator is starting up for the first time. Changes made to the control panel settings may not be saved until the compartments have reached operating temperature.

If the appliance fails to operate properly:

- Verify that power is supplied to the electrical outlet and that the appliance is plugged in.
- Check all plumbing connections.
- Check for kinks in the water supply line.
- If the appliance still does not work, contact

Dacor Distinctive Service at (800) 793-0093 ex. 2822

- Do not attempt to repair the appliance yourself. If you need service, be sure to
- have the model and serial numbers available when you call. See the inside cover for location.

Dacor is not responsible for the cost of correcting problems caused by a faulty installation.

Installation Instructions

Installation Checklist



WARNING

- To ensure a safe and proper installation, the following checklist should be completed by the installer to ensure that no part of the installation has been overlooked and the unit is working properly.
- Proper installation is the responsibility of the homeowner. **The importance of proper installation of your Dacor appliance cannot be overemphasized.**

- Has the unit been inspected for cosmetic damage?
- Has the water supply line been properly installed according to specifications and checked for leaks?
- Is the unit properly aligned with the adjacent cabinets?
- Do all doors, drawers and shelves operate smoothly, without interference?
- Has all packaging, tape, and literature been removed from inside and outside of the appliance?
- Is the power cable connected to a three-prong grounded electrical outlet that meets the electrical specifications?
- Has the unit been properly leveled?
- Have the anti-tip brackets been properly installed?
- Has proper operation been verified?
- Has the warranty been activated on-line or the warranty card filled out and mailed?

