



# Installation Instructions

## 36 Inch Refrigerator

*Model: RF36NDFSS*

Francis - Voir Page 9

# Table of Contents

---

<b>Refrigerator Safety</b> .....	1	Move Refrigerator into House .....	5
<b>Installation Specifications</b> .....	2	Reinstalling the Doors .....	5
Product Dimensions .....	2	Connecting the Water Supply .....	6
Tools and Parts .....	2	Connecting to the Refrigerator .....	6
Location Requirements .....	2	Plug in Refrigerator .....	7
Cabinet Layout .....	2	Move Unit to Final Position .....	7
Water Supply Requirements .....	2	Handle Installation .....	7
Electrical Requirements .....	3	Leveling .....	8
<b>Installation Instructions</b> .....	3	Complete Installation .....	8
Unpack the Refrigerator .....	3	Water System Preparation .....	8
Door and Drawer Front Removal .....	4		

## IMPORTANT:

- If you receive a damaged product, immediately contact your dealer or builder. Do not install or use a damaged appliance.
- **Installer:** Leave these installation instructions with the homeowner.
- **Homeowner:** Keep these installation instructions for future reference. Save these installation instructions for the local electrical inspector's use.

# Customer Service Information

---

If you have questions or problems with installation, contact your Dacor® dealer or the Dacor Customer Service Team. For repairs to Dacor appliances under warranty, call the Dacor Distinctive Service line. Whenever you call, have the model and serial number of the appliance ready. These numbers are found on a label located inside the refrigerator compartment.

## Dacor Customer Service:

Phone: (800) 793-0093 ex. 2813 (U.S.A. and Canada)  
Monday — Friday 6:00 A.M. to 5:00 P.M. Pacific Time  
Web site: [www.dacor.com](http://www.dacor.com)

## Dacor Distinctive Service (repairs under warranty only):

Phone: (800) 793-0093 ex. 2822 (U.S.A. and Canada)  
Monday — Friday 6:00 A.M. to 5:00 P.M. Pacific Time

**All specifications subject to change without notice.  
Dacor assumes no liability for changes to specifications.**

# Refrigerator Safety

## Your safety and the safety of others are very important.

We have provided many important safety messages in this manual and on your appliance. Always read and obey all safety messages.



This is the safety alert symbol.

This symbol alerts you to potential hazards that can kill or hurt you and others.

All safety messages will follow the safety alert symbol and either the word "DANGER" or "WARNING."

These words mean:

**⚠ DANGER**

**You can be killed or seriously injured if you don't immediately follow instructions.**

**⚠ WARNING**

**You can be killed or seriously injured if you don't follow instructions.**

All safety messages will tell you what the potential hazard is, tell you how to reduce the chance of injury, and tell you what can happen if the instructions are not followed.

State of California Proposition 65 Warnings:

WARNING: This product contains one or more chemicals known to the State of California to cause cancer.

WARNING: This product contains one or more chemicals known to the State of California to cause birth defects or other reproductive harm.

**⚠ WARNING**



### Tip Over Hazard

**Refrigerator is top heavy and tips easily when not completely installed.**

**Keep doors taped closed until refrigerator is completely installed.**

**Use two or more people to move and install refrigerator.**

**Failure to do so can result in death or serious injury.**

### Important information to know about disposal of refrigerants:

Dispose of refrigerator in accordance with Federal and Local regulations. Refrigerants must be evacuated by a licensed, EPA certified refrigerant technician in accordance with established procedures.

# Installation Specifications

## Product Dimensions

- The depth from the front of the door (w/o door handles) to the back of the refrigerator chassis is 28" (71.1 cm).
- The depth of the cabinet less the door is 24 1/8" (61.3 cm).
- The power cord is 60" (152.4 cm) long.
- The height from the top of the refrigerator to the floor is 70 1/8" (178.1 cm), 71 1/8" (180.7 cm) with the leveling legs in the fully extended position.
- The refrigerator width from edge to edge is 35 5/8" (90.5 cm).

## Tools and Parts


Make sure that you have the necessary tools and materials available for a proper installation:

- Flat-blade screwdriver set
- Phillips head screwdriver set
- 7/16" and 1/2" open-end wrenches or two adjustable wrenches
- Nut driver set or socket set
- Electric drill with 1/4" drill bit
- 1/4" (6 mm) copper tubing for the water line. Provide sufficient length to allow for a minimum of a 24" (61.0 cm) diameter service loop.
- Compression nut and compression sleeve to connect to the water supply valve. A compression nut and sleeve are included with the refrigerator to connect the refrigerator side of the line.
- Copper tubing cutter
- Level - 2' (0.6 m) and 4' (1.2 m) recommended
- Appliance dolly able to support 350 lbs (159 kg) and adequate manpower to handle the weight of the appliance
- Plywood or cardboard to protect finished flooring

## Location Requirements

Your Dacor refrigerator can be recessed in an opening between cabinets or installed at the end of a cabinet run using a side panel to enclose the refrigerator.

**⚠ WARNING**



**Explosion Hazard**

**Keep flammable materials and vapors, such as gasoline, away from refrigerator.**

**Failure to do so can result in death, explosion, or fire.**

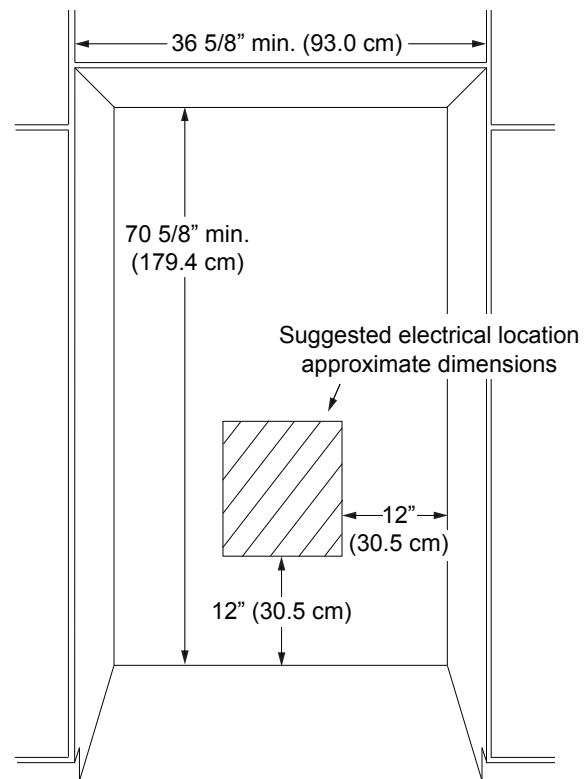
### IMPORTANT:

- Observe all governing codes and ordinances.
- To ensure proper ventilation for your refrigerator, allow for 1/2" (1.3 cm) space on each side and at the top. Allow for a 1" (2.5 cm) space behind the refrigerator.

- When installing your refrigerator next to a fixed wall, leave 2 1/2" (6.4 cm) minimum on the hinge side to allow for the door to swing open.
- This refrigerator is intended for use in a location where the temperature ranges from a minimum of 55°F (13°C) to a maximum of 110°F (43°C). The preferred room temperature range for optimum performance, which reduces electricity usage and provides superior cooling, is between 60°F (15°C) and 90°F (32°C). It is recommended that you do not install the refrigerator near a heat source, such as an oven or radiator.
- The floor must be able to support the refrigerator's weight of more than 350 lbs (159 kg) and the contents of the refrigerator.

## Cabinet Layout

- Locate the refrigerator so that it may easily be pulled out from the wall if service becomes necessary.
- The plumbing for the water line can come through the floor flush to or from the back wall. Install the water valve in a location that allows it to be turned off without moving the refrigerator out in the event the refrigerator or water line requires service.



## Water Supply Requirements

- Plumbing shall be installed in accordance with the International Plumbing Code and any local codes and ordinances.
- A cold water supply with water pressure of between 35 and 120 psi (241 and 827 kPa) is required to operate the water dispenser and ice maker. If you have questions about your water pressure, call a licensed, qualified plumber.

# Installation Specifications

- Install a shut off valve between the refrigerator and water supply. Use 1/4" copper tubing with a compression nut and compression sleeve and check for leaks. Allow a minimum of 24" (61.0 cm) diameter service loop of copper tubing outside the wall or floor for easy connection to the water supply. Install copper tubing only in areas where the household temperatures will remain above freezing.
- Do not use a piercing type or 3/16" (5 mm) saddle valve which will reduce water flow and clog more easily.

If you have questions about your water pressure, call a licensed, qualified plumber.

## Reverse osmosis water supply

**IMPORTANT:** The pressure of the water supply coming out of a reverse osmosis system going to the water inlet valve of the refrigerator needs to be between 35 and 120 psi (241 and 827 kPa).

If a reverse osmosis water filtration system is connected to your cold water supply, the water pressure to the reverse osmosis system needs to be a minimum of 40 to 60 psi (276 to 414 kPa).

If the water pressure to the reverse osmosis system is less than 40 to 60 psi (276 to 414 kPa):

- Check to see whether the sediment filter in the reverse osmosis system is blocked. Replace the filter if necessary.
- Allow the storage tank on the reverse osmosis system to refill after heavy usage.
- If your refrigerator has a water filter, it may further reduce the water pressure when used in conjunction with a reverse osmosis system. Remove the water filter. See the use and care manual.

## Electrical Requirements

### ⚠ WARNING



#### Electrical Shock Hazard

**Plug into a grounded 3 prong outlet.**

**Do not remove ground prong.**

**Do not use an adapter.**

**Do not use an extension cord.**

**Failure to follow these instructions can result in death, fire, or electrical shock.**

Before you move your refrigerator into its final location, it is important to make sure you have the proper electrical connection.

#### Recommended Grounding Method

A 115 volt, 60 Hz., AC only, 15- or 20-amp fused, grounded electrical supply is required. It is recommended that a separate circuit serving only your refrigerator be provided. Use an outlet that cannot be turned off by a switch. Do not use an extension cord.

**NOTE:** Before performing any type of installation, cleaning, or removing a light bulb, turn the control (Thermostat, Refrigerator or Freezer Control depending on the model) to OFF and then disconnect the refrigerator from the electrical source. When you are finished, reconnect the refrigerator to the electrical source and reset the control (Thermostat, Refrigerator or Freezer Control depending on the model) to the desired setting. See *Setting the Controls* in the use and care manual.

# Installation Instructions

**IMPORTANT:** Read all directions before you begin.

## Unpack the Refrigerator

### ⚠ WARNING

#### Excessive Weight Hazard

**Use two or more people to move and install refrigerator.**

**Failure to do so can result in back or other injury.**

**IMPORTANT:**

- Do not remove the film on the outside until the refrigerator is in its operating position.
- Remove tape and glue residue from surfaces before turning on the refrigerator. Rub a small amount of liquid dish soap over the adhesive with your fingers. Wipe with warm water and dry.

- Do not use sharp instruments, rubbing alcohol, flammable fluids or abrasive cleaners to remove tape or glue. These products can damage the surface of your refrigerator. For more information, see *Refrigerator Safety*.
- Dispose of/recycle all packaging materials.
- After you remove all of the packaging materials, clean the inside of your refrigerator before using it. See *Care and Cleaning* in the use and care manual.

continued...

# Installation Instructions

## Door and Drawer Front Removal

### **⚠ WARNING**



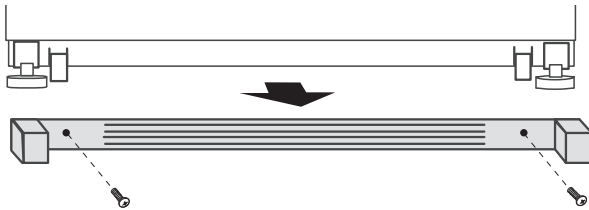
#### **Electrical Shock Hazard**

**Disconnect power before removing doors.**

**Failure to do so can result in death or electrical shock.**

Some installations require door and drawer front removal before transporting the refrigerator through doorways to the location where it will be used.

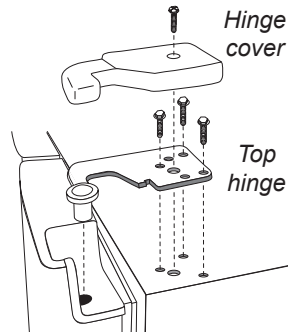
1. Unplug the power cord from the power source.
2. Remove food and any adjustable door or utility bins from the doors.
3. Remove the two screws fastening the base grill to the cabinet, and set the screws aside. Grasp the grill and pull it toward you.



4. Keep the refrigerator doors closed until you are ready to lift them free from the cabinet.

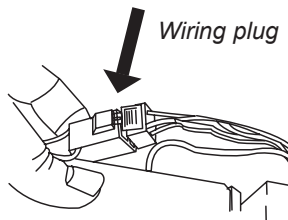
**NOTE:** Provide additional support for the refrigerator door while the hinges are being removed. Do not depend on the door gasket magnets to hold the door in place while you are working.

5. Remove the top hinge covers from the refrigerator door by removing the Phillips screws.



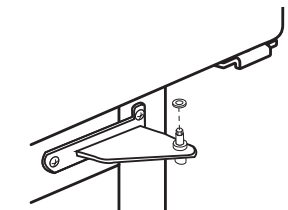
6. Unscrew the hex head screws from the top hinges. Remove the hinges.

7. Disconnect the wiring plug located on top of the left top hinge by wedging a flat-blade screwdriver between the two sections. **NOTE:** The green, ground wire remains attached to the hinge.

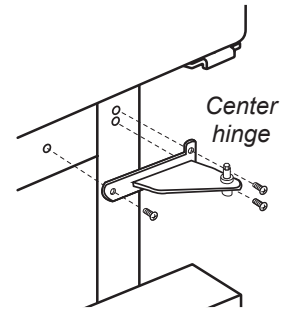


8. Lift the refrigerator doors from the center hinge pin.

9. On some models, remove the shim from the bottom hinge pin and keep it for later use.



10. Remove the Phillips screws that hold the center hinge in place. Remove the hinge and retain it and all screws for later use.



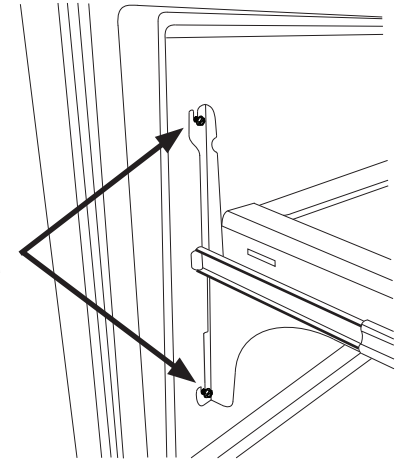
11. Pull the freezer drawer completely open.

12. Loosen the four (4) screws attaching the drawer brackets to the drawer front as shown.

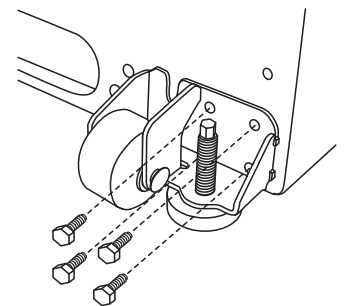
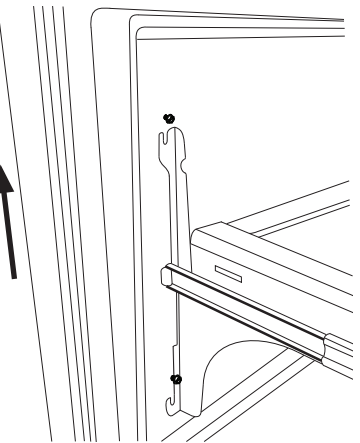
**NOTE:** Loosen the screws only three to four turns. Do not remove the screws from the drawer front.

**IMPORTANT:** Two people may be required to remove and replace the drawer front.

13. Lift the drawer front upward and off the screws.



14. Unscrew the hex head screws from the rollers and remove.



# Installation Instructions

## Move Refrigerator into House

### **! WARNING**



#### Tip Over Hazard

Refrigerator is top heavy and tips easily when not completely installed.

Keep doors taped closed until refrigerator is completely installed.

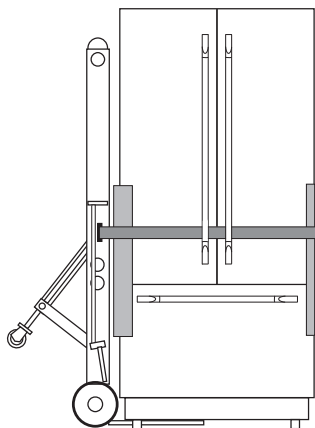
Use two or more people to move and install refrigerator.

Failure to do so can result in death or serious injury.

#### When Moving Your Refrigerator:

Your refrigerator is heavy. When moving the refrigerator for cleaning or service, be sure to cover the floor with cardboard or hardboard to avoid floor damage. Always pull the refrigerator straight out when moving it. Do not wiggle or "walk" the refrigerator when trying to move it, as floor damage could occur.

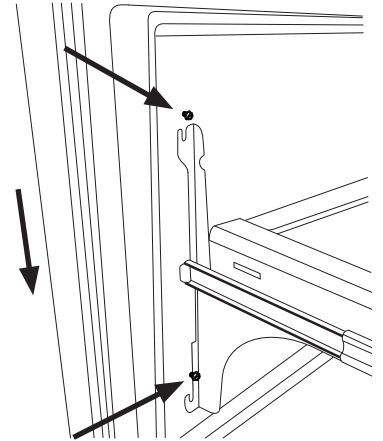
1. Place an appliance dolly under the left side of the refrigerator as shown. Be sure to avoid damaging the side trims and handles. Place the corner posts from the packing materials over the trims and handles as appropriate. Pass the dolly strap under the handles and slowly tighten the strap.
2. Place pieces of the shipping carton on the floor when rolling the dolly and refrigerator into the house. Move the refrigerator close to the opening.
3. Place cardboard or plywood under the refrigerator.
4. Stand the refrigerator up. First, place the left bottom edge of the refrigerator on the floor, stand the refrigerator upright and then lower the right-hand side of the refrigerator to the floor.



## Reinstalling the Doors

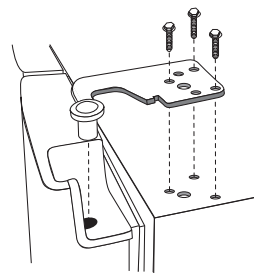
After the moving the refrigerator to the location where it will be used, reinstall the doors and freezer drawer front.

1. Replace the rollers.
2. Slide the screws on the back of the drawer front into the slots in the drawer brackets on both sides. You may need to move the bottom of the bracket around slightly to get the slot to line up with the screw.
3. Tighten the four front panel screws completely. Do not over-tighten.

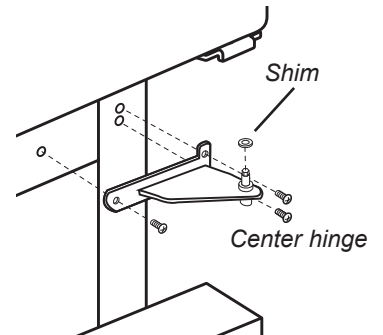


4. Install the top hinge loosely using the existing hex head screws.
5. Install the center hinge using the existing Phillips screws.

Top hinge

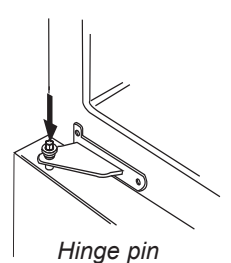


Shim



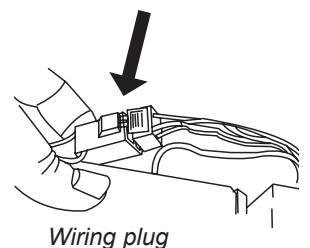
Center hinge

6. Place the hinge side of the refrigerator door on the center hinge pin.
7. Align each door so that the bottom of the refrigerator door aligns evenly with the top of the freezer drawer. While holding the refrigerator door upright, tighten down the top hinge with a hex head driver.



Hinge pin

8. Reconnect the wiring plug located on top of the left top hinge.

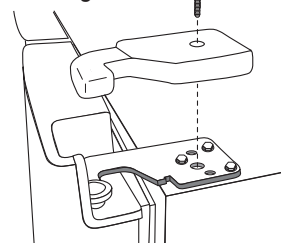


Wiring plug

9. Replace the top hinge cover using the existing Phillips screw.

Hinge cover

10. Return all removable door parts to the door and food to the refrigerator.





# Installation Instructions

## Connecting the Water Supply

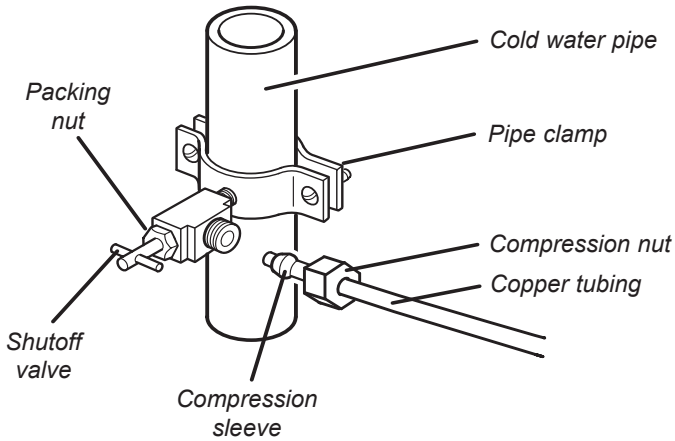
**IMPORTANT:** If you turn on the refrigerator before the water line is connected, turn off the ice maker to avoid excessive noise or damage to the water valve.

### Connect to the Water Line

1. Unplug the refrigerator or disconnect power.
2. Turn OFF the main water supply. Turn ON the nearest faucet long enough to clear the line of water.
3. Find a 1/2" to 1 1/4" (1.3 cm to 3.2 cm) vertical cold water pipe near the refrigerator.

**IMPORTANT:**

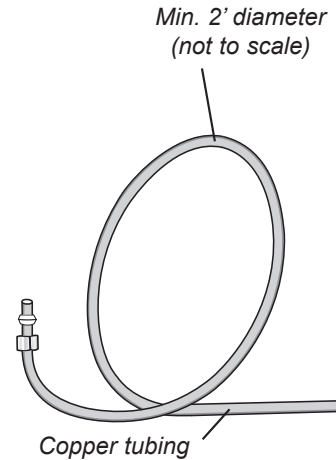
- Make sure it is a cold water pipe.
  - A horizontal pipe will work, but the following procedure must be followed: Drill on the top side of the pipe, not the bottom. This will help keep water away from the drill. This also keeps normal sediment from collecting in the valve.
4. Determine the length of copper tubing you need. Measure from the connection on the lower right rear of the refrigerator to the water pipe. Add 7 ft (2.1 m) to allow for cleaning. Be sure both ends of the copper tubing are cut square.
  5. Using a cordless drill, drill a 1/4" (6.4 mm) hole in the cold water pipe you have selected.



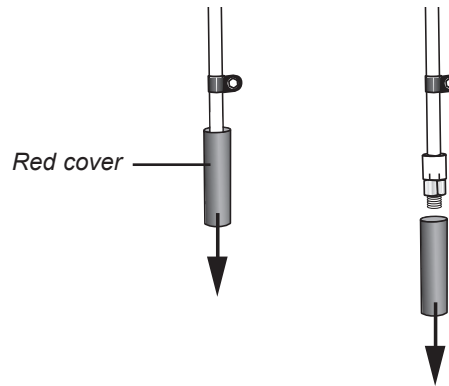
6. Fasten the shutoff valve to the cold water pipe with the pipe clamp. Be sure the outlet end is solidly in the 1/4" drilled hole in the water pipe and that the washer is under the pipe clamp. Tighten the packing nut. Tighten the pipe clamp screws slowly and evenly so the washer makes a watertight seal. Do not overtighten.
7. Slip the compression sleeve and compression nut on the copper tubing as shown. Insert the end of the tubing into the outlet end squarely as far as it will go. Screw the compression nut onto the outlet end with an adjustable wrench. Do not overtighten or you may crush the copper tubing.
8. Place the free end of the tubing in a container or sink, and turn ON the main water supply. Flush the tubing until the water is clear. Turn OFF the shutoff valve on the water pipe.

## Connecting to the Refrigerator

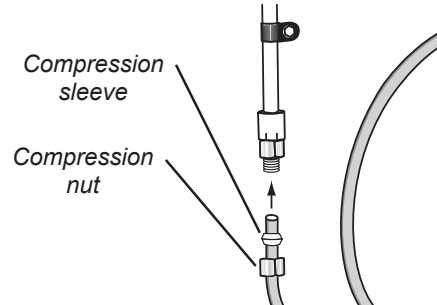
1. Create a service loop with the copper tubing (minimum 2 foot /61 cm diameter). Avoid kinks in the copper tubing when bending it into a service loop. Do not use plastic tubing.



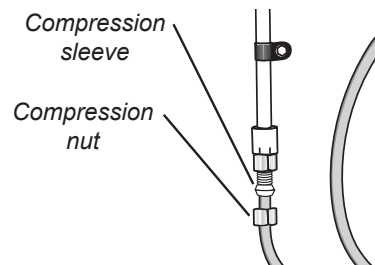
2. Remove and discard the red plastic cover from the water valve inlet port on the back of the refrigerator.



3. Place the brass nut and sleeve on the end of the copper tube as shown. The nut and sleeve are provided in the use and care packet. Do not use an old sleeve.



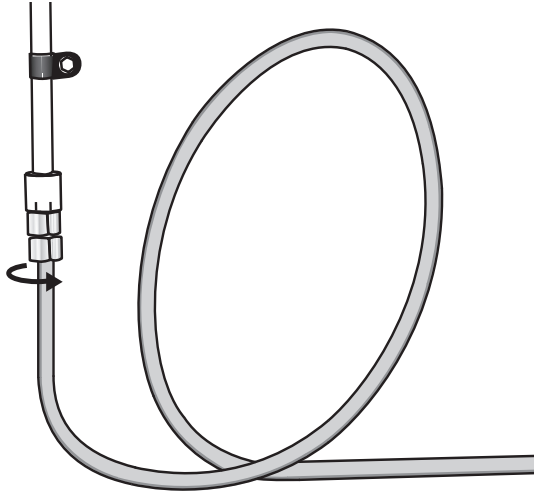
4. Place the end of the copper tubing into the water valve inlet port. Shape the tubing slightly. Do not kink the tubing so that it feeds straight into the inlet port.





# Installation Instructions

- Slide the brass nut over the sleeve and screw it into the inlet port.
- Place an adjustable wrench on the nut attached to the plastic waterline. Maintain position.
- Using a second adjustable wrench, turn the lower nut counterclockwise and fully tighten it while holding the upper nut in place. Do not overtighten.



- Turn on the water supply. Check for leaks and correct if necessary. Continue to observe the water supply connection for two to three hours prior to moving the refrigerator to its permanent location. Monitor the water connection for 24 hours. Correct leaks if necessary.

## Plug in Refrigerator

### **⚠ WARNING**



#### **Electrical Shock Hazard**

**Plug into a grounded 3 prong outlet.**

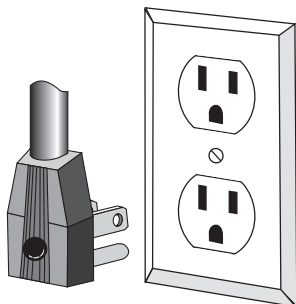
**Do not remove ground prong.**

**Do not use an adapter.**

**Do not use an extension cord.**

**Failure to follow these instructions can result in death, fire, or electrical shock.**

Plug the refrigerator into a grounded three prong outlet.



## Move Unit to Final Position

### **⚠ WARNING**



#### **Tip Over Hazard**

**Refrigerator is top heavy and tips easily when not completely installed.**

**Keep doors taped closed until refrigerator is completely installed.**

**Use two or more people to move and install refrigerator.**

**Failure to do so can result in death or serious injury.**

**IMPORTANT:** To avoid floor damage, make sure the levelers are raised (not touching the floor) and the refrigerator is on the rollers before moving.

- Place cardboard or plywood under the refrigerator. Remove the dolly.
- Move the refrigerator straight back, evenly into the opening. Be sure that the refrigerator side trims are not interfering with the door opening. Also, be sure that the water tubing is not kinked and the power supply cord is on top of the refrigerator.

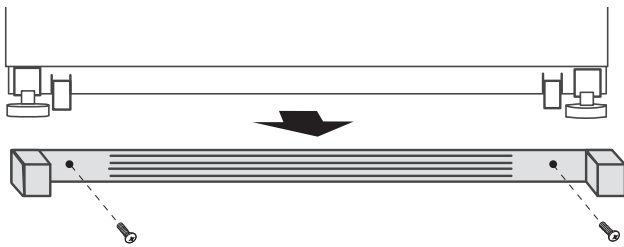
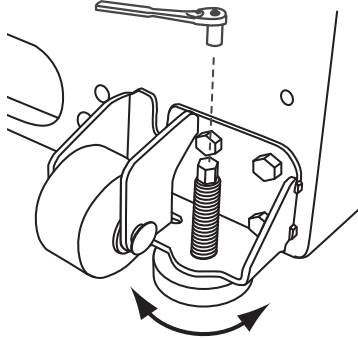
## Handle Installation

- Some units do not come with the handle installed to allow the customer to choose the handle style. Optional handle kits may also be available. Contact your Dacor dealer for a list of available handle kits.
- The installation instructions for the handle are included with the kit.

# Installation Instructions

## Leveling

1. Move the refrigerator to its final location.  
**NOTE:** To allow the refrigerator to roll easier, raise the leveling legs off the floor by turning the leveling screws counterclockwise. The front rollers will be touching the floor.
2. So the doors will close easier, use a 1/4" hex driver to turn both leveling screws clockwise. This will raise the front of the refrigerator tilting it slightly downward to the rear. Turn both leveling screws the same amount.  
**NOTE:** Having someone push against the top of the refrigerator takes some weight off the leveling screws. This makes it easier to turn the screws.
3. Open and close the doors to make sure they close as easily as you like. If not, increase the tilt by turning both leveling screws clockwise. It may take several turns of the leveling screw to allow the doors to close easier.
4. Check for door alignment. If one door is lower than the other, adjust the leveling screw, on the lower side of the refrigerator. Using a 1/4" hex driver, turn the screw clockwise to raise that side of the refrigerator until the doors are aligned. It may take several turns of the leveling screw to raise the refrigerator.  
**NOTE:** Having someone push against the top of the refrigerator takes some weight off the leveling screws. This makes it easier to turn the screws.
5. Make sure the refrigerator is steady. If the refrigerator seems unsteady or rolls forward when the door or drawer is opened adjust the leveling screws. Using a 1/4" hex driver, turn the leveling screw on each side clockwise until the rollers are up and the leveling feet are firmly against the floor.
6. Replace the base grill by aligning the holes in the grille with the holes in the cabinet and fasten using the screws.



## Complete Installation

1. Turn the water supply line valve to the open position.
2. Wait a few minutes. Check the water line connections for leaks.
3. Remove all boxes, parts packages and packing materials from the interior of the refrigerator.
4. Remove the film and cardboard from the grill and doors or door frame, depending on your model.
5. Install the shelves and bins in the refrigerator and freezer compartments.

6. The controls are preset at the factory to the midpoint setting. Check that the compressor is operating properly and that all the lights are working.
7. Flush the water system before use. See *Water System Preparation*.

To get the most efficient use from your new refrigerator, read your use and care manual. Keep these installation instructions and the use and care manual near the refrigerator for easy reference.

## Water System Preparation

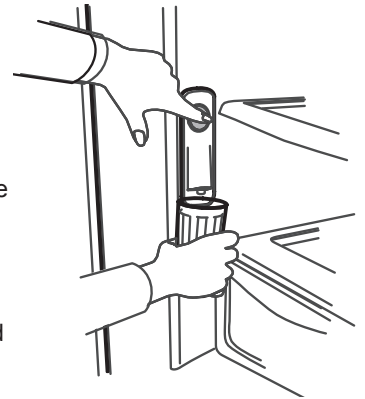
Please read before using the water system.

Immediately after installation, follow the steps below to make sure that the water system is properly cleaned.

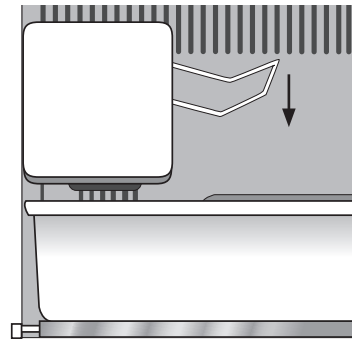
**NOTE:** Flush four (4) gallons of water through the water filter cartridge before use. Allow 24 hours for the refrigerator to cool down and chill water.

Do not use with water that is microbiologically unsafe or of unknown quality without adequate disinfection before or after the system. Systems certified for cyst reduction may be used on disinfected waters that may contain filterable cysts.

1. Install the water filter. The water filter is located in the upper right hand corner of the fresh food compartment. Remove the blue bypass cap and retain it for later use. Remove the sealing label from the end of the filter and insert it into the filter head. Rotate it gently clockwise until it stops. Snap the filter cover closed.
2. Hold a sturdy container under the water spout and press the dispenser button. Flush the water system by dispensing and discarding 4 gallons (15 L) of water. Cleaning the system will take approximately 5 minutes and will help clear air from the line. Additional flushing may be required in some households. As air is cleared from the system, water may spurt out of the dispenser.



3. Make sure the ice bin is in place and the ice maker arm is down.
4. After the freezer section reaches between 0° to 2°F (-18° to -17° C), the ice maker fills with water and begins operating. You will have a complete harvest of ice approximately every three hours.
5. Allow approximately 24 hours after installation to receive the first batch of ice.
6. Allow 3 days to completely fill the ice storage bin. Discard the first three batches of ice produced.





# Instructions d'installation

## Réfrigérateur de 36 pouces

*Modèle : RF36NDFSS*

# Table des matières

<b>Sécurité du réfrigérateur</b> .....	11	Enlèvement de les portes et de la façade du tiroir.....	14
<b>Prescriptions d'installation</b> .....	12	Faire entrer le réfrigérateur dans le domicile .....	15
Dimensions du produit.....	12	Réinstaller des portes.....	15
Outils et pièces.....	12	Raccordement de l'arrivée d'eau.....	16
Conditions requises pour l'emplacement .....	12	Branchement du réfrigérateur.....	17
Implantation de l'armoire .....	12	Déplacement de l'appareil jusqu'à son emplacement définitif	17
Spécifications de l'alimentation en eau .....	13	Mise à niveau .....	18
Spécifications électriques.....	13	Montage des poignées .....	18
<b>Instructions d'installation</b> .....	14	Achever l'installation.....	18
Déballage du réfrigérateur.....	14	Préparation du système d'eau.....	18

## IMPORTANT :

- Si le produit reçu est endommagé, contactez immédiatement votre revendeur ou votre constructeur. Ne pas installer ou utiliser un appareil ménager endommagé.
- **Installateur** : Laisser ces instructions d'installation au propriétaire.
- **Propriétaire** : Conserver ces instructions d'installation pour vous y reporter en cas de besoin. Conserver ces instructions d'installation à l'intention du contrôleur d'installations électriques local.

## Information pour le service à la clientèle

Pour tout problème ou question concernant l'installation, contacter le marchand Dacor® ou l'équipe de service à la clientèle Dacor. Pour toute réparation sur les appareils ménagers Dacor sous garantie, contacter la ligne de réparations réservée aux produits Dacor. Lors de la prise de contact, vous devrez communiquer le nom du modèle et le numéro de série de l'appareil. Ces numéros se trouvent sur une plaque situés interne du compartiment de réfrigération.

### Équipe de service à la clientèle Dacor

Téléphone : (800) 793-0093 ex. 2813 (É.-U. et Canada)  
Du lundi au vendredi, de 6 h à 17 h, heure du Pacifique  
Site Web : [www.dacor.com](http://www.dacor.com)

### Ligne de réparations réservée aux produits Dacor (réparations sous garantie uniquement)

Téléphone : (800) 793-0093 ex. 2822 (É.-U. et Canada)  
Du lundi au vendredi, de 6 h à 17 h, heure du Pacifique

**Les spécifications figurant dans ce manuel sont susceptibles d'être modifiées sans préavis.  
DACOR n'assumera aucune responsabilité en cas de modification de ces spécifications.**

# Sécurité du réfrigérateur

## Votre sécurité et celle des autres est très importante.

Nous donnons de nombreux messages de sécurité importants dans ce manuel et sur votre appareil ménager. Assurez-vous de toujours lire tous les messages de sécurité et de vous y conformer.



Voici le symbole d'alerte de sécurité.

Ce symbole d'alerte de sécurité vous signale les dangers potentiels de décès et de blessures graves à vous et à d'autres.

Tous les messages de sécurité suivront le symbole d'alerte de sécurité et le mot "DANGER" ou "AVERTISSEMENT". Ces mots signifient :

**⚠ DANGER**

**Risque possible de décès ou de blessure grave si vous ne suivez pas immédiatement les instructions.**

**⚠ AVERTISSEMENT**

**Risque possible de décès ou de blessure grave si vous ne suivez pas les instructions.**

Tous les messages de sécurité vous diront quel est le danger potentiel et vous disent comment réduire le risque de blessure et ce qui peut se produire en cas de non-respect des instructions.

Avertissements de la proposition 65 de l'État de Californie :

**AVERTISSEMENT :** Ce produit contient au moins un produit chimique connu par l'État de Californie pour être à l'origine de cancers.

**AVERTISSEMENT :** Ce produit contient au moins un produit chimique connu par l'État de Californie pour être à l'origine de malformations et autres déficiences de naissance.

**⚠ AVERTISSEMENT**



### Risque de basculement

**Le réfrigérateur est lourd au sommet et bascule facilement lorsqu'il n'est pas complètement installé.**

**Garder les portes fermées avec un ruban adhésif jusqu'à l'installation complète du réfrigérateur.**

**Utiliser deux ou plus de personnes pour déplacer et installer le réfrigérateur.**

**Le non-respect de ces instructions peut causer un décès ou une blessure grave.**

### Renseignements importants à propos de la mise au rebut des fluides réfrigérants :

Mettre le réfrigérateur au rebut conformément à la réglementation fédérale et locale. Les fluides réfrigérants doivent être évacués par un technicien certifié et agréé par l'EPA conformément aux procédures établies.

# Prescriptions d'installation

## Dimensions du produit

- La profondeur depuis l'avant de la porte (sans poignées) jusqu'à l'arrière du châssis du réfrigérateur est de 28" (71,1 cm).
- La profondeur de l'armoire sans la porte est de 24 1/8" (61,3 cm).
- La longueur du cordon d'alimentation est de 60" (152,4 cm).
- La hauteur depuis le haut du réfrigérateur jusqu'au sol est 70 1/8" (178,1 cm), 71 1/8" (180,7 cm) depuis le haut du réfrigérateur jusqu'au sol, pieds de mise à niveau allongés au maximum.

## Outils et pièces

Vérifiez que vous disposez de tous les outils et matériaux nécessaires à une installation correcte.

- Jeu de tournevis Phillips
- Jeu de tournevis plats
- Clés plates de 7/16" et 1/2" ou deux clés à molette réglables
- Jeu de douilles
- Perceuse sans fil et jeu de forets
- Tube de cuivre de 1/4" (6 mm) pour la canalisation d'eau. Prévoir une longueur suffisante pour une boucle de service de diamètre minimal de 24" (61,0 cm).
- Écrou et virole de compression à raccorder au robinet d'arrivée d'eau. Un écrou et une virole de compression sont fournis avec le réfrigérateur pour le raccordement de la canalisation côté réfrigérateur.
- Coupe-tubes cuivre
- Niveau : longueur 2' (0,6 m) et 4' (1,2 m) recommandée
- Châssis roulant capable de supporter 350 lbs (159 kg) et nombre de personnes suffisant pour manier le poids du réfrigérateur.
- Matériaux appropriés pour couvrir et protéger le domicile et son mobilier pendant l'installation

## Conditions requises pour l'emplacement

Votre réfrigérateur Dacor peut être encastré dans un espace situé entre deux meubles de cuisine ou installé à la fin d'une série de meubles à l'aide d'un panneau latéral qui confine le réfrigérateur.

### **⚠ AVERTISSEMENT**



#### **Risque d'explosion**

**Garder les matériaux et les vapeurs inflammables, telle que l'essence, loin du réfrigérateur.**

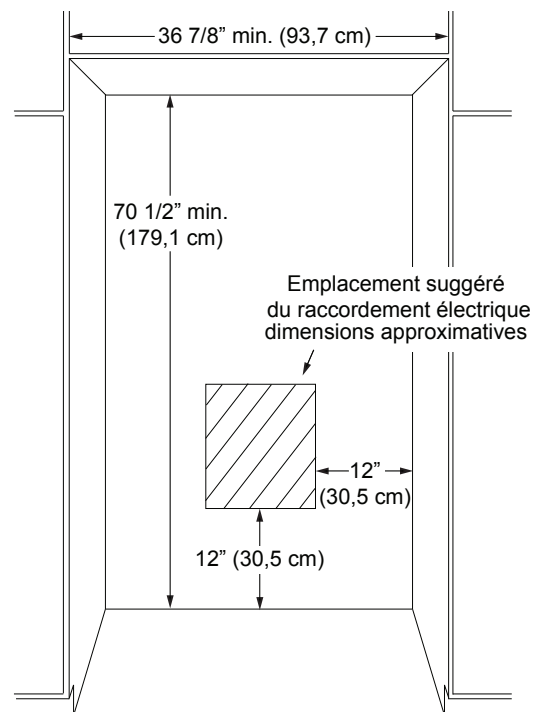
**Le non-respect de cette instruction peut causer un décès, une explosion ou un incendie.**

### **IMPORTANT:**

- Respecter tous les codes et règlements en vigueur.
- Pour obtenir une aération appropriée pour votre réfrigérateur, laisser un espace de 1/2" (1,3 cm) de chaque côté et au sommet. Laisser un espace de 1" (2,5 cm) à l'arrière du réfrigérateur.
- En cas d'installation du réfrigérateur près d'un mur fixe, laisser un espace minimum de 2 1/2" (6,3 cm) du côté de la charnière (certains modèles nécessitent davantage d'espace) pour permettre à la porte de s'ouvrir sans obstruction.
- Ce réfrigérateur est conçu pour être utilisé dans un endroit où la température est comprise entre un minimum de 55°F (13°C) et un maximum de 110°F (43°C). La plage de température ambiante idéale pour une performance optimale est comprise entre 60°F (15°C) et 90°F (32°C). Respecter cette plage de température permet aussi de réduire la consommation d'électricité et d'optimiser l'efficacité du refroidissement. Il est recommandé de ne pas installer le réfrigérateur près d'une quelconque source de chaleur, tel un four ou un radiateur.
- Le sol doit être capable de supporter le poids du réfrigérateur, supérieur à 350 lbs (159 kg) et du contenu du réfrigérateur.

## Implantation de l'armoire

- Installer le réfrigérateur de façon à pouvoir le dégager facilement du mur pour entretien ou réparation.
- La plomberie de la canalisation d'eau peut venir du sol ou du mur arrière. Installer le robinet d'arrivée d'eau dans un endroit permettant de le fermer sans déplacer le réfrigérateur en cas d'intervention sur le réfrigérateur ou la canalisation d'eau.



# Prescriptions d'installation

## Spécifications de l'alimentation en eau

- Toutes les installations doivent être conformes aux exigences des codes locaux de plomberie.
- Une alimentation en eau froide avec une pression entre 35 et 120 lb/po<sup>2</sup> (241 et 827 kPa) est nécessaire pour faire fonctionner le distributeur d'eau et la machine à glaçons. Si vous avez des questions au sujet de la pression de votre eau, appelez un plombier qualifié agréé.
- Installer un robinet d'arrêt entre le réfrigérateur et l'arrivée d'eau. Utiliser un tube en cuivre de 1/4" avec un écrou et une virole de compression et vérifier l'absence de fuites. Laisser une boucle de service d'un diamètre minimal de 24" (61,0 cm) en tube de cuivre à l'extérieur du mur ou du sol pour faciliter le raccordement à l'arrivée d'eau. Installer les tubes en cuivre seulement à des endroits où la température se maintient au-dessus du point de congélation.
- Ne pas utiliser de robinet à étrier de type à injection ou de 3/16" (5 mm), susceptible de réduire le débit d'eau et de s'obstruer plus facilement.

Si vous avez des questions au sujet de la pression de votre eau, appelez un plombier qualifié agréé.

### Alimentation en eau par osmose inverse

**IMPORTANT** : La pression de l'alimentation en eau entre le système d'osmose inverse et la valve d'arrivée d'eau du réfrigérateur doit être comprise entre 35 et 120 lb/po<sup>2</sup> (241 et 827 kPa).

Si un système de purification de l'eau par osmose inverse est raccordé à votre alimentation en eau froide, la pression de l'eau au système doit être au minimum de 40 à 60 lb/po<sup>2</sup> (276 à 414 kPa).

Si la pression de l'eau au système d'osmose inverse est inférieure à 40-60 lb/po<sup>2</sup> (276 à 414 kPa)

- Vérifier que le filtre à sédiment du système d'osmose inverse n'est pas bloqué. Le remplacer si nécessaire.
- Laisser le réservoir du système d'osmose inverse se remplir après une utilisation intense.
- Si votre réfrigérateur est doté d'un filtre à eau, celui-ci peut réduire encore plus la pression de l'eau lorsqu'il est utilisé avec un système d'osmose inverse. Retirer le filtre à eau. Voir le guide d'utilisation.

## Spécifications électriques

### ⚠ AVERTISSEMENT



#### Risque de choc électrique

**Brancher sur une prise à 3 alvéoles reliée à la terre.**

**Ne pas enlever la broche de liaison à la terre.**

**Ne pas utiliser un adaptateur.**

**Ne pas utiliser un câble de rallonge.**

**Le non-respect de ces instructions peut causer un décès, un incendie ou un choc électrique.**

Avant de placer le réfrigérateur à son emplacement final, il est important de vous assurer d'avoir la connexion électrique appropriée.

#### Méthode recommandée de mise à la terre

Une source d'alimentation de 115 volts, 60 Hz, type 15 ou 20 A CA seulement, protégée par des fusibles et adéquatement mise à la terre est nécessaire. Il est recommandé d'utiliser un circuit distinct pour alimenter uniquement votre réfrigérateur. Utiliser une prise murale qui ne peut pas être mise hors circuit à l'aide d'un commutateur. Ne pas employer de rallonge.

**REMARQUE** : Avant d'exécuter tout type d'installation, nettoyage ou remplacement d'une ampoule d'éclairage, tourner la commande (réglage du thermostat, du réfrigérateur ou du congélateur selon le modèle) à OFF (arrêt) et déconnecter ensuite le réfrigérateur de la source d'alimentation électrique. Lorsque vous avez terminé, reconnecter le réfrigérateur à la source d'alimentation électrique et tourner de nouveau la commande (réglage du thermostat, du réfrigérateur ou du congélateur selon le modèle) au réglage désiré. Voir *Réglage des commandes* dans le Manual d'utilisation et d'entretien.



# Instructions d'installation

**IMPORTANT :** Lire toutes les instructions avant de commencer.

## Déballage du réfrigérateur

### **AVERTISSEMENT**



#### Risque de basculement

Le réfrigérateur est lourd au sommet et bascule facilement lorsqu'il n'est pas complètement installé.

Garder les portes fermées avec un ruban adhésif jusqu'à l'installation complète du réfrigérateur.

Utiliser deux ou plus de personnes pour déplacer et installer le réfrigérateur.

Le non-respect de ces instructions peut causer un décès ou une blessure grave.

#### **IMPORTANT :**

- Ne pas ôter la pellicule extérieure avant que le réfrigérateur ne soit à la position de service.
- Sur toutes les surfaces, enlever le ruban adhésif et tout résidu d'adhésif avant la mise en marche du réfrigérateur. Avec les doigts, frotter le résidu d'adhésif avec un peu de savon à vaisselle liquide; essuyer avec de l'eau chaude et sécher.
- Pour enlever le ruban adhésif ou résidu d'adhésif, ne pas utiliser d'instrument acéré, ni d'alcool à friction, de fluides inflammables ou de produits de nettoyage abrasifs; ces produits peuvent endommager la surface du réfrigérateur. Voir *Sécurité du réfrigérateur*.
- Jeter ou recycler tous les matériaux d'emballage.
- Après avoir retiré tous les matériaux d'emballage, nettoyer l'intérieur du réfrigérateur avant de l'utiliser. Voir le guide d'utilisation.

## Enlèvement de les portes et de la façade du tiroir

### **AVERTISSEMENT**



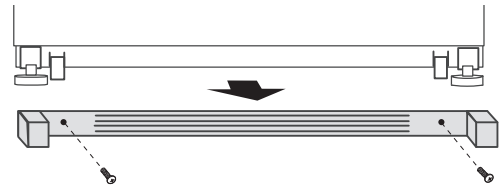
#### Risque de choc électrique

Déconnecter la source de courant électrique avant d'enlever les portes.

Le non-respect de cette instruction peut causer un décès ou un choc électrique.

Certaines installations imposent de démonter les portes et la façade du tiroir avant de transporter le réfrigérateur à travers les encadrements de porte jusqu'à son emplacement d'utilisation.

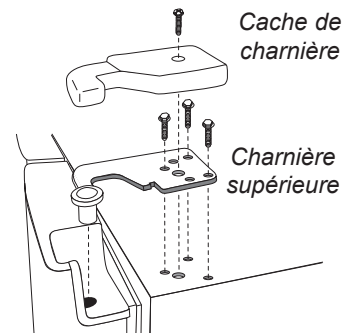
1. Débrancher le cordon d'alimentation de la prise secteur.
2. Retirer les aliments et tout balconnet ou compartiment utilitaire des portes
3. Retirer les deux vis fixant la grille de la base à la caisse, et les mettre de côté. Saisir la grille et la tirer vers vous.



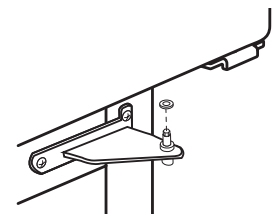
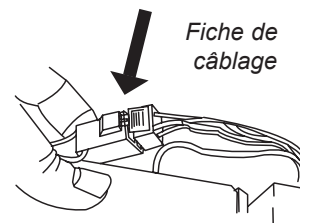
4. Fermer la porte du réfrigérateur jusqu'au moment où on est prêt à la séparer de la caisse de l'appareil.

**REMARQUE :** Prévoir un support additionnel des portes pendant le démontage des charnières. La force d'attraction des aimants des portes ne suffit pas à les maintenir en place.

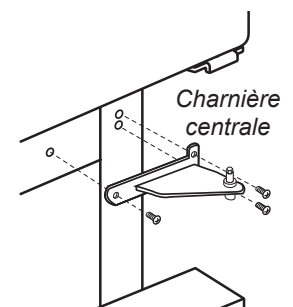
5. Démontez le cache de charnière supérieure de la porte du réfrigérateur en dévissant la vis Phillips.
6. Dévisser les vis à tête hexagonale de la charnière supérieure. Enlever la charnière.



7. Débrancher la fiche de câblage située en haut de la charnière supérieure gauche en insérant un tournevis à lame plate entre les deux pièces. **REMARQUE :** Le conducteur vert de liaison à la terre reste fixé à la charnière.
8. Extraire les portes de réfrigérateur du pivot de la charnière centrale.
9. Sur certains modèles, ôter la cale de l'axe de la charnière inférieure et la conserver pour utilisation ultérieure. Voir l'illustration.



10. Dévisser les vis Phillips qui maintiennent la charnière centrale. Enlever la charnière et la conserver, accompagnée de toutes ses vis, pour le remontage.



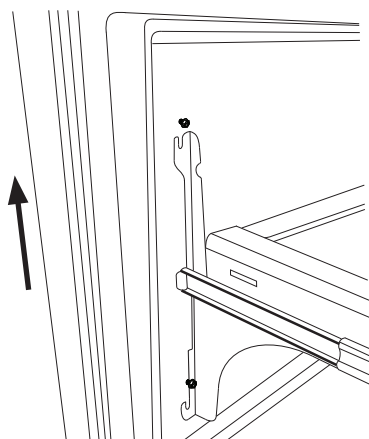
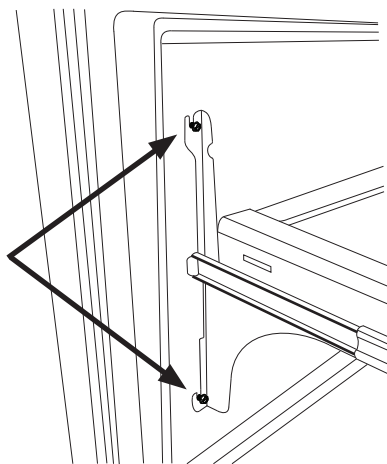
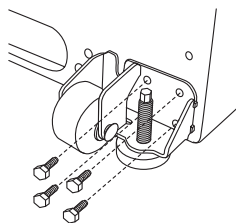
# Instructions d'installation

11. Ouvrir complètement le tiroir de congélation.
12. Desserrer les quatre (4) vis qui maintiennent les supports du tiroir à la façade du tiroir, comme illustré.

**REMARQUE :** Desserrer les vis de trois ou quatre tours seulement. Ne pas les dévisser complètement de la façade du tiroir.

**IMPORTANT :** Deux personnes peuvent être nécessaires pour retirer et réinstaller la façade du tiroir de congélation.

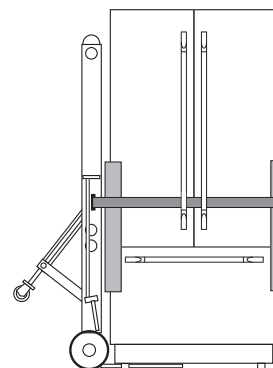
13. Lever la façade du tiroir pour l'extraire des vis.
14. Dévisser les vis à tête hexagonale de les roulettes et enlever.



## Déplacement de votre réfrigérateur :

Votre réfrigérateur est lourd. Lors du déplacement de votre réfrigérateur pour le nettoyage ou un entretien ou réparation, veiller à recouvrir le plancher avec du carton ou un panneau de fibres dures pour éviter qu'il ne subisse tout dommage. Toujours tirer le réfrigérateur tout droit lors de son déplacement. Ne pas incliner le réfrigérateur d'un côté ou de l'autre ni le "faire marcher" en essayant de le déplacer car le plancher pourrait être endommagé.

1. Introduire le chariot de manutention sous le côté gauche du réfrigérateur, tel qu'illustré. Éviter d'endommager les garnitures latérales et les poignées. À cette fin, placer les cornières de l'emballage par-dessus les garnitures et poignées. Serrer lentement la sangle.



2. Placer des bouts de carton d'expédition sur le plancher lorsqu'on utilise un chariot pour faire entrer le réfrigérateur dans le domicile. Approcher le réfrigérateur près de la cavité d'encastrement.
3. Placer une feuille de carton ou de contreplaqué sous le réfrigérateur.
4. Mettre le réfrigérateur en position verticale. Placer d'abord le bord inférieur gauche du réfrigérateur sur le plancher, puis mettre le réfrigérateur debout et abaisser ensuite le côté droit du réfrigérateur sur le plancher.

## Faire entrer le réfrigérateur dans le domicile

### **AVERTISSEMENT**



#### Risque de basculement

**Le réfrigérateur est lourd au sommet et bascule facilement lorsqu'il n'est pas complètement installé.**

**Garder les portes fermées avec un ruban adhésif jusqu'à l'installation complète du réfrigérateur.**

**Utiliser deux ou plus de personnes pour déplacer et installer le réfrigérateur.**

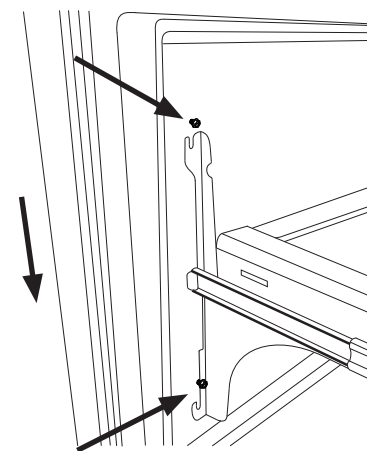
**Le non-respect de ces instructions peut causer un décès ou une blessure grave.**

## Réinstaller des portes

Après avoir déplacé le réfrigérateur jusqu'à son emplacement d'utilisation, réinstaller les portes et la façade du tiroir de congélation.

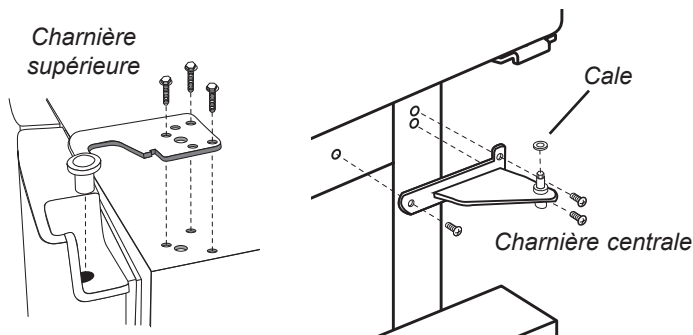
1. Réinstaller les roulettes.
2. Glisser les vis à l'arrière de la façade du tiroir de congélation dans les fentes des deux côtés des supports de tiroir. Il peut s'avérer nécessaire de déplacer légèrement le bas du support pour aligner la fente avec la vis.
3. Serrer complètement les quatre vis de la façade. Ne pas serrer trop fort.

continué...

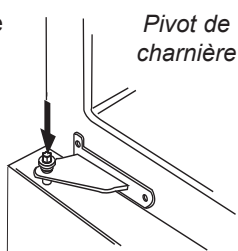


# Instructions d'installation

4. Visser sans serrer la charnière supérieure à l'aide des vis précédemment dévissées.
5. Visser la charnière centrale à l'aide des vis Phillips précédemment dévissées.

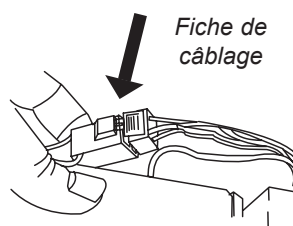


6. Placer la porte du réfrigérateur, du côté portant la charnière, sur le pivot de la charnière centrale.



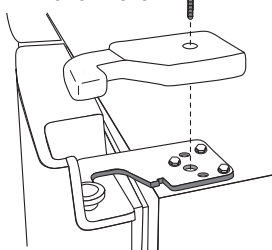
7. Aligner la porte de sorte que le bas de la porte du réfrigérateur s'aligne parfaitement avec le sommet du tiroir du compartiment de congélation. Tout en maintenant la porte du réfrigérateur à la verticale, fixer la charnière supérieure à l'aide d'un tournevis à douille hexagonale.

8. Rebrancher la fiche de câblage située en haut de la charnière supérieure gauche.



9. Replacer le cache de charnière à l'aide de la vis Phillips précédemment dévissée.

Cache de charnière



10. Réinstaller toutes les pièces amovibles dans les portes; y ranger les aliments.

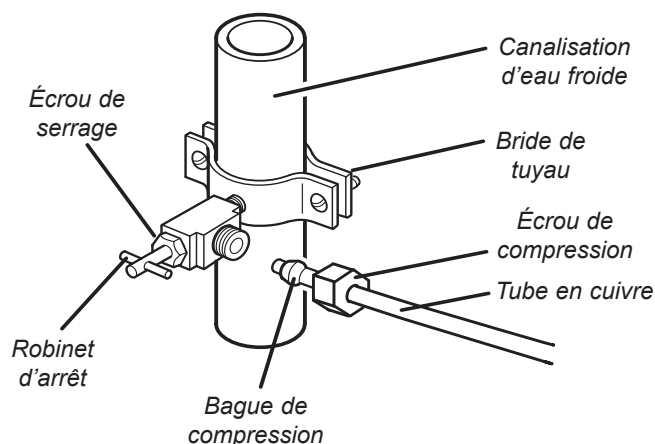
3. Trouver une canalisation d'eau froide verticale de 1/2" à 1 1/4" (1,3 cm to 3,2 cm) près du réfrigérateur.

## IMPORTANT :

- S'assurer qu'il s'agit d'un conduit d'eau froide.
- Un conduit horizontal fonctionnera, mais le procédé suivant doit être suivi : percer par le dessus de la canalisation et non pas par le dessous. Ainsi, l'eau ne risquera pas d'arroser la perceuse. Ceci empêche également les sédiments qu'on trouve normalement dans l'eau de s'accumuler dans le robinet.

4. Pour déterminer la longueur du tube en cuivre, il faut mesurer la distance entre le point de connexion au bas du côté arrière droit du réfrigérateur et la canalisation. Ajouter une longueur de 7 pi (2,1 m) pour permettre le déplacement du réfrigérateur pour le nettoyage.

5. À l'aide d'une perceuse sans fil, percer un trou de 1/4" (6,4 mm) dans le tuyau de canalisation d'eau froide choisie.



6. Fixer le robinet d'arrêt sur la canalisation d'eau froide avec la bride de tuyau. Vérifier que le raccord du robinet est bien engagé dans le trou de 1/4" percé dans la canalisation et que la rondelle d'étanchéité est placée sous la bride de tuyau. Serrer l'écrou de serrage. Serrer lentement et uniformément les vis de la bride de tuyau afin que la rondelle forme une jonction étanche. Ne pas serrer excessivement.

7. Enfiler l'écrou et la bague de compression du raccord sur le tube en cuivre comme on le voit sur l'illustration. Insérer l'extrémité du tube aussi loin que possible dans l'ouverture de sortie du robinet. Visser l'écrou de compression sur le raccord de sortie avec une clé à molette. Ne pas serrer excessivement car ceci pourrait provoquer l'écrasement du tube en cuivre.

8. Placer le bout libre du tube dans un contenant ou évier et OUVRIER le robinet principal d'arrivée d'eau et laisser l'eau s'écouler par le tube jusqu'à ce que l'eau soit limpide. FERMER le robinet principal d'arrivée d'eau.

## Raccordement de l'arrivée d'eau

**IMPORTANT :** Si l'on met en marche le réfrigérateur avant que la canalisation d'eau ne soit raccordée, éteindre la machine à glaçons pour éviter tout bruit excessif ou éviter d'endommager le robinet d'eau.

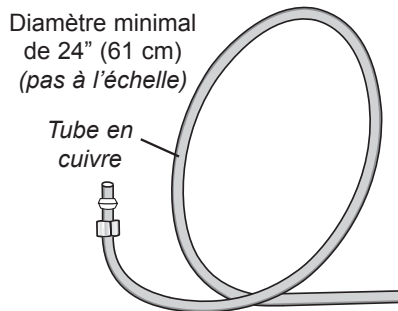
## Raccordement à une canalisation d'eau

1. Débrancher le réfrigérateur ou déconnecter la source de courant électrique.
2. FERMER le robinet principal d'arrivée d'eau. OUVRIER le robinet de puisage le plus proche pendant une période suffisante pour que la canalisation d'eau se vide.

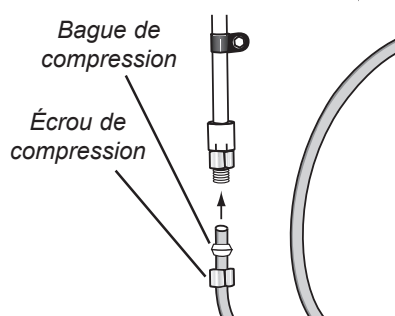
# Instructions d'installation

## Raccordement au réfrigérateur

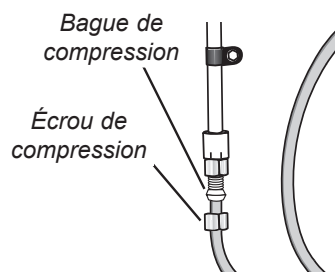
1. Créer une boucle de service avec du tube en cuivre (d'un diamètre minimal de 2" [61 cm]). Éviter de plier le tube en cuivre en le courbant en une boucle de service. Ne pas utiliser de tube plastique.
2. Retirer le couvercle en plastique rouge de l'orifice d'entrée du robinet d'eau sur l'arrière.



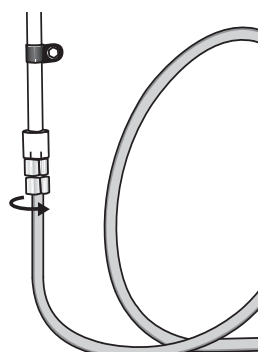
3. Placer l'écrou et l'olive en laiton à l'extrémité du tube en cuivre comme illustré. L'écrou et l'olive se trouvent dans le sachet d'utilisation et d'entretien. Ne pas se servir d'une olive déjà utilisée.



4. Placer l'extrémité du tube en cuivre dans l'orifice d'entrée du robinet d'eau. Adapter légèrement le tube. Ne pas plier le tube, de façon à joindre directement l'orifice d'entrée.
5. Glisser l'écrou en laiton par-dessus l'olive et le visser sur l'orifice d'entrée.



6. Placer une clé à ouverture réglable sur l'écrou fixé sur la canalisation d'eau en plastique. Maintenir la clé en place.
7. À l'aide d'une deuxième clé à ouverture réglable, visser l'écrou inférieur dans le sens inverse des aiguilles d'une montre et le serrer complètement, tout en maintenant l'écrou supérieur immobile. Ne pas serrer trop fort.



8. Ouvrir l'arrivée d'eau. Vérifier l'absence de fuite et rectifier le cas échéant. Vérifier régulièrement le raccordement de l'arrivée d'eau pendant deux ou trois heures avant de déplacer le réfrigérateur à son emplacement définitif. Surveiller le raccordement d'eau pendant 24 heures. Réparer les fuites si nécessaire.

## Branchement du réfrigérateur

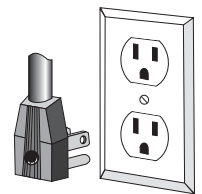
### ⚠ AVERTISSEMENT



#### Risque de choc électrique

- Brancher sur une prise à 3 alvéoles reliée à la terre.
- Ne pas enlever la broche de liaison à la terre.
- Ne pas utiliser un adaptateur.
- Ne pas utiliser un câble de rallonge.
- Le non-respect de ces instructions peut causer un décès, un incendie ou un choc électrique.

Brancher le réfrigérateur à une prise avec borne de terre.



## Déplacement de l'appareil jusqu'à son emplacement définitif

### ⚠ AVERTISSEMENT



#### Risque de basculement

- Le réfrigérateur est lourd au sommet et bascule facilement lorsqu'il n'est pas complètement installé.
- Garder les portes fermées avec un ruban adhésif jusqu'à l'installation complète du réfrigérateur.
- Utiliser deux ou plus de personnes pour déplacer et installer le réfrigérateur.
- Le non-respect de ces instructions peut causer un décès ou une blessure grave.

**IMPORTANT :** Pour éviter d'endommager le plancher, avant de déplacer le réfrigérateur, vérifier que les pieds sont soulevés (aucun contact avec le plancher) et que le réfrigérateur repose sur ses roulettes.

1. Placer une feuille de carton ou de contreplaqué sous le réfrigérateur.
2. Pousser le réfrigérateur tout droit dans la cavité d'encastrement. Veiller à ce que les garnitures latérales du réfrigérateur n'interfèrent pas avec l'ouverture de la porte. S'assurer également que la canalisation d'arrivée d'eau n'est pas déformée et que le cordon de courant électrique se trouve sur le dessus du réfrigérateur.

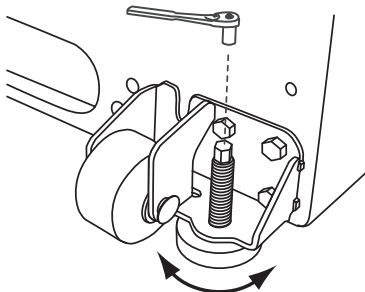


# Instructions d'installation

## Mise à niveau

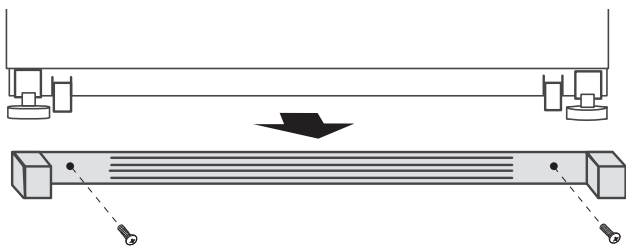
1. Déplacer le réfrigérateur jusqu'à sa position de service finale.  
**REMARQUE** : Afin que le réfrigérateur puisse rouler plus facilement, soulever les pieds de nivellement en tournant les vis de nivellement dans le sens antihoraire. Les roulettes avant toucheront le plancher.

2. Afin que les portes ferment plus facilement, utiliser un tourneécrou à tête hexagonale de 1/4" pour tourner les vis de nivellement dans le sens horaire. Ce réglage soulèvera légèrement l'avant du réfrigérateur et l'inclinera ainsi légèrement sur sa partie arrière. Régler les deux vis de nivellement à la même hauteur.



**REMARQUE** : Le fait d'exercer une pression sur le dessus du réfrigérateur permet d'alléger le poids appliqué aux vis de nivellement. Ceci facilite le réglage des vis.

3. Ouvrir et fermer les portes pour vérifier que leur fermeture es aussi aisée que vous le souhaitez. Si ce n'est pas le cas, augmenter l'inclinaison du réfrigérateur en tournant les deux vis de nivellement dans le sens horaire. Il est possible qu'il faille appliquer plusieurs tours aux vis de nivellement pour faciliter la fermeture des portes.
4. Vérifier l'alignement de la porte. Si une porte est plus basse que l'autre, ajuster la vis de nivellement du côté du réfrigérateur le plus bas. À l'aide d'un tourne-écrou à tête hexagonale de 1/4", tourner la vis de nivellement dans le sens horaire afin d'élever ce côté du réfrigérateur, jusqu'à ce que les portes soient alignées. Il faudra peut-être appliquer plusieurs tours à la vis de nivellement pour soulever le réfrigérateur.  
**REMARQUE** : Le fait d'exercer une pression sur le dessus du réfrigérateur permet d'alléger le poids appliqué aux vis de nivellement. Ceci facilite le réglage des vis.
5. S'assurer que le réfrigérateur est stable. Si le réfrigérateur semble instable ou qu'il roule vers l'avant lorsqu'on ouvre la porte ou le tiroir, ajuster les vis de nivellement. À l'aide d'un tourne-écrou à tête hexagonale de 1/4", tourner les vis de nivellement dans le sens horaire de chaque côté jusqu'à ce que les pieds de nivellement soient en contact ferme avec le plancher.
6. Remettre la grille de la base en place en alignant les trous de la grille avec ceux de la caisse et la fixer à l'aide des vis.



## Montage des poignées

Certains modèles sont livrés avec les poignées non montées pour laisser le client en choisir le style. Des jeux de poignées en option sont disponibles. Les instructions d'installation des poignées sont incluses avec le jeu de poignées. Achever l'installation.

7. Tourner le robinet de la canalisation d'eau à la position ouvert.
8. Attendre quelques minutes. Vérifier les raccords de la canalisation d'eau pour voir s'il y a des fuites.
9. Retirer toutes les boîtes, tous les paquets de pièces et tous les matériaux d'emballage de l'intérieur du réfrigérateur.
10. Ôter la pellicule et le carton de la grille et des portes ou du châssis de la porte, selon le modèle.
11. Installer les tablettes et bacs dans les compartiments de réfrigération et de congélation.
12. Les commandes sont pré-réglées à l'usine au réglage moyen. S'assurer que le compresseur fonctionne bien et que toutes les lumières sont en bon état de marche.
13. Purger le système d'eau avant l'utilisation. Voir *Préparation du circuit d'eau*.

Pour une utilisation optimale de votre nouveau réfrigérateur, lire le guide d'utilisation et d'entretien. Conserver les instructions d'installation et le guide d'utilisation et d'entretien près du réfrigérateur pour pouvoir s'y référer facilement.

## Préparation du système d'eau

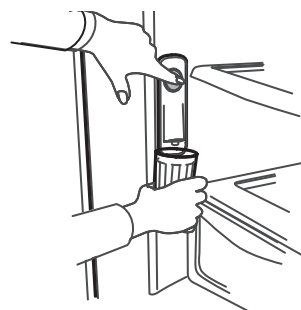
Veillez lire avant d'utiliser le système d'eau.

Immédiatement après l'installation, suivre les étapes ci-dessous pour vous assurer que le système d'eau est bien nettoyé.

**AVIS** : Vider quatre (4) gallons d'eau par la cartouche du filtre à eau avant utilisation. Accorder 24 heures pour que le réfrigérateur se refroidisse et rafraîchisse l'eau.

Ne pas utiliser pour le filtrage d'une eau microbiologiquement polluée ou de qualité inconnue en l'absence d'un dispositif de désinfection adéquat avant ou après le système. Les systèmes certifiés pour la réduction de kyste peuvent être utilisés pour l'eau désinfectée qui peut contenir des kystes filtrables.

1. Installer le filtre d'eau. Le filtre à eau est situé dans le coin supérieur droit du compartiment de réfrigération. Retirer le bouchon bleu et le mettre de côté pour utilisation ultérieure. Retirer l'étiquette d'étanchéité du bout du filtre et insérer celui-ci dans la tête de filtre. Faire tourner lentement dans le sens horaire jusqu'à l'arrêt du filtre. Fermer le couvercle du filtre.
2. Maintenir un récipient robuste sous le bec verseur et appuyer sur la touche du distributeur. Rincer le circuit : puiser et jeter 4 gallons (15 L) d'eau. Le processus de nettoyage du circuit prendra approximativement 5 minutes et facilitera l'évacuation de l'air de la canalisation. Pour certains domiciles, un processus de rinçage/purge supplémentaire peut être nécessaires. Alors que l'air s'évacue du système, de l'eau peut s'échapper du distributeur.



# Instructions d'installation

---

3. Vérifier que le bac à glaçons est bien en place et que le bras de la machine est baissé.

4. Une fois que la section de congélation a atteint entre 0° et 2°F (-18° à -17°C), la machine à glaçons se remplit d'eau et commence à fonctionner. Vous aurez une distribution de glaçons complète environ toutes les trois heures.

5. Attendre environ 24 heures après l'installation pour obtenir la première distribution de glaçons.

6. Prévoir un délai de 3 jours pour le remplissage complet du bac d'entreposage. Jeter les trois premiers lots de glaçons produits.

