

RF36NDFSS



Renaissance® 36" Wide Freestanding Refrigerator

PLANNING GUIDE

WARNING

- Observe all governing codes and ordinances during planning and installation. Contact your local building department for further information.
- This appliance must be installed in accordance with the accompanying installation instructions.

Product Dimensions

- ◇ The depth from the front of the door (w/o door handles) to the back of the refrigerator chassis is 28" (71.1 cm).
- ◇ The depth of the cabinet less the door is 24 1/8" (61.3 cm).
- ◇ The power cord is 60" (152.4 cm) long.
- ◇ The height from the top of the refrigerator to the floor is 70 1/8" (178.1 cm), 71 1/8" (180.7 cm) with the leveling legs in the fully extended position.
- ◇ The refrigerator width from edge to edge is 35 5/8" (90.5 cm).

Location Requirements

Your Dacor refrigerator can be recessed in an opening between cabinets or installed at the end of a cabinet run using a side panel to enclose the refrigerator.

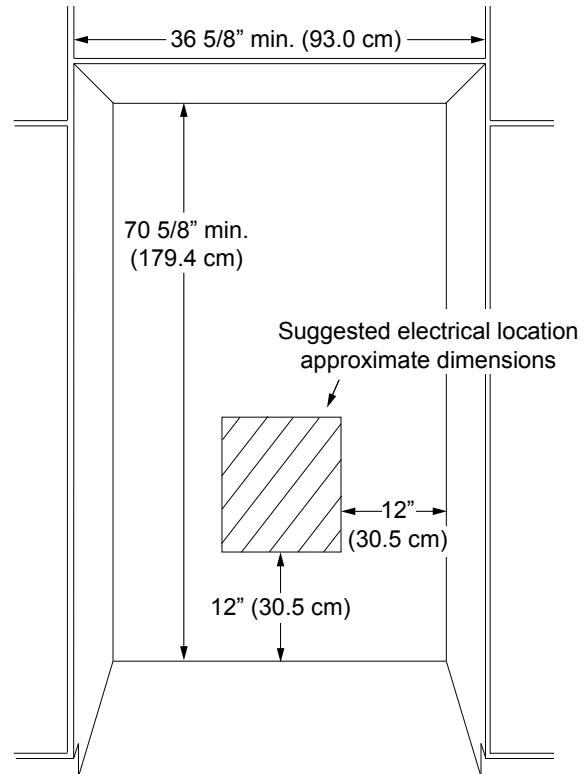
- ◇ To ensure proper ventilation, allow for a 1/2" (1.3 cm) space on both sides and at the top of the refrigerator. Allow for 1" (2.5 cm) behind.
- ◇ When installing your refrigerator next to a fixed wall, leave 2 1/2" (6.4 cm) minimum on the hinge side to allow for the door to swing open.
- ◇ This refrigerator is intended for use in a location where the temperature ranges from a minimum of 55°F (13°C) to a maximum of 110°F (43°C). The preferred room temperature range for optimum performance, which reduces electricity usage and provides superior cooling, is between 60°F (15°C) and 90°F (32°C). It is recommended that you do not install the refrigerator near a heat source, such as an oven or radiator.
- ◇ The floor must be able to support the refrigerator's weight of more than 350 lbs (159 kg) and the contents of the refrigerator.
- ◇ The area to the left and the right of the appliance must permit both doors to open to a minimum of 90°. Allow space between the side of the refrigerator doors and a corner wall for the handle.

Cabinet Layout

- ◇ Locate the refrigerator so that it may easily be pulled out from the wall if service becomes necessary.
- ◇ The plumbing for the water line can come through the floor flush to or from the back wall. Install the water valve in a location that allows it to be turned off without moving the refrigerator out in the event the refrigerator or water line requires service.

Electrical Requirements

A 115 Volt, 60 Hz. AC only 15 or 20 Amp. fused, grounded electrical supply is required. It is recommended that a separate circuit serving only your refrigerator be provided. Use an outlet that cannot be turned off by a switch. Do not use an extension cord.



Water Supply Requirements

- ◇ A cold water supply with water pressure of between 35 and 120 psi (241 and 827 kPa) is required to operate the water dispenser and ice maker. If you have questions about your water pressure, call a licensed, qualified plumber.
- ◇ Install a shut off valve between the refrigerator and water supply. Use 1/4" copper tubing with a compression nut and compression sleeve and check for leaks. Allow a minimum of 24" (61.0 cm) diameter service loop of copper tubing outside the wall or floor for easy connection to the water supply. Install copper tubing only in areas where the household temperatures will remain above freezing.
- ◇ Do not use a piecing type or 3/16" (5 mm) saddle valve which will reduce water flow and clog more easily.

Reverse Osmosis Water supply

IMPORTANT: The pressure of the water supply coming out of a reverse osmosis system going to the water inlet valve of the refrigerator needs to be between 35 and 120 psi (241 and 827 kPa).

If a reverse osmosis water filtration system is connected to your cold water supply, the water pressure to the reverse osmosis system needs to be a minimum of 40 to 60 psi (276 to 414 kPa).

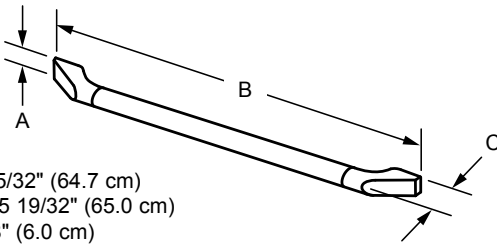
RF36NDFSS



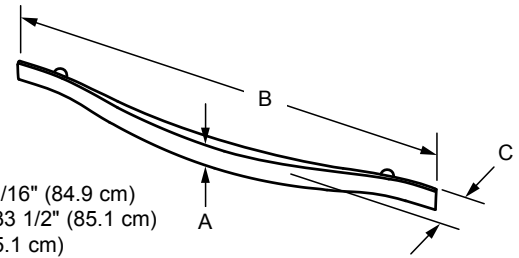
Renaissance 36" Wide Freestanding Refrigerator

PLANNING GUIDE

Handle Dimensions

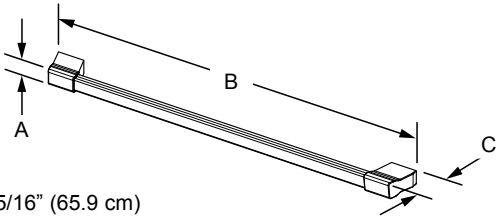


- A = 13/16" (2.1 cm)
- B refrigerator = 25 15/32" (64.7 cm)
- B freezer drawer = 25 19/32" (65.0 cm)
- C refrigerator = 2 3/8" (6.0 cm)
- C freezer drawer = 2 15/16" (7.4 cm)



- A = 1 1/2" (3.8 cm)
- B refrigerator = 33 7/16" (84.9 cm)
- B freezer drawer = 33 1/2" (85.1 cm)
- C refrigerator = 2" (5.1 cm)
- C freezer drawer = 2 7/16" (6.2 cm)

EPICURE STYLE HANDLE DIMENSIONS (PN AFE36H3CHC)



- A = 1 1/2" (3.8 cm)
- B refrigerator = 25 15/16" (65.9 cm)
- B freezer drawer = 26" (66.0 cm)
- C refrigerator = 2 1/2" (6.4 cm)
- C freezer drawer = 2 1/2" (6.4 cm)

PRO STYLE HANDLE DIMENSIONS (PN AFPH36H3C)

MILLENNIA STYLE HANDLE DIMENSIONS (PN ARFMH36H3C)