



REX245SSRT



38" x 24" x 24" (H x W x D)

24" wide smoothtop electric range in stainless steel, with low 'slide-in' backguard and storage drawer

Highlights:

Smooth ceramic glass cooking surface ensures easy cleanup and safer cooking

24" fit is ideal for smaller homes

Lower storage compartment offers added convenience for small kitchens

Large oven window with light makes it easy to monitor your cooking without opening the door

Product Features:

24" width	Perfectly sized for apartments and smaller home kitchens
Smooth ceramic glass top	Smooth cooking surface ensures improved safety and easy cleanability
Oven window with light	Easier monitoring of your cooking with an oven window and on/off light
Storage drawer	Save even more space by storing your pots and pans in this pull-out compartment
Waist-high broiler	Broiler is located inside the oven, making it easier to use
Upfront controls	Control panel is conveniently located for safer use
Four cooking zones	Surface features two 8" and two 6" elements to accommodate a range of sizes and cooking needs
Indicator lights	Control panel includes an 'on' light for the oven and burners for added safety when using the range
Safety brake system for oven racks	Sliding racks will stay in your oven with special brake mechanism



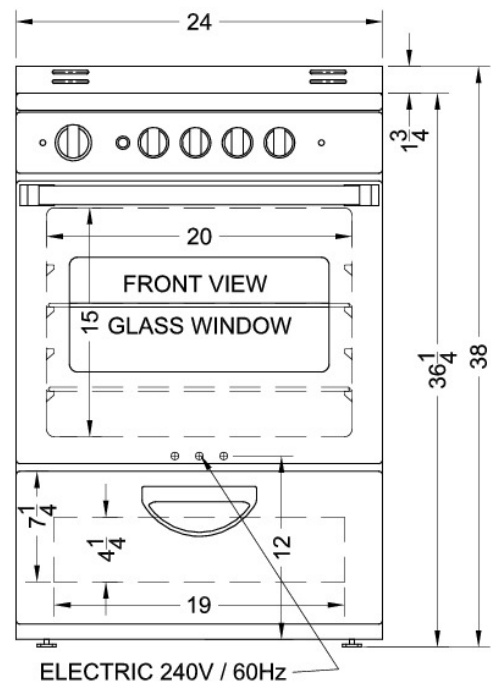
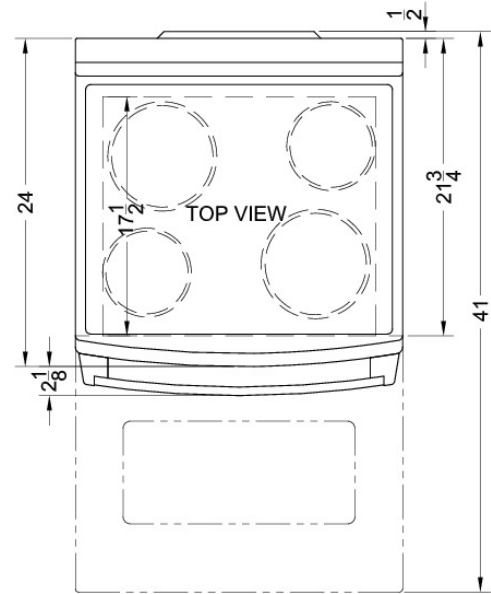
SUMMIT APPLIANCE DIVISION FELIX STORCH, INC.

770 Garrison Avenue, Bronx, NY 10474 USA TEL 718-893-3900 FAX 844-478-8799 info@summitappliance.com  www.summitappliance.com



REX245SSRT Specifications:

Overview	
Height	38.0"
Width	24.0"
Depth	24.0"
Depth with Handle	26.13"
Depth with door at 90°	41.0"
Door	Stainless Steel
Cabinet	Black
US Electrical Safety	CSA
Voltage/Frequency	220 V AC/60 Hz
Shipping Weight	150.0 lbs.
Parts & Labor Warranty	1 Year
Electric Range	
Oven Capacity	3.0cu.ft.
Cooktop Surface	Glass
Element Type	Glasstop
Number of Elements	4
Element #1 Size	8.0"
Element #1 Wattage	1700.0
Element #2 Size	6.0"
Element #2 Wattage	1200.0
Element #3 Size	6.0"
Element #3 Wattage	1200.0
Element #4 Size	8.0"
Element #4 Wattage	1700.0
Burner Controls	Dial
Oven Controls	Dial
Oven Light	Yes
Cleaning Type	Manual
Oven Rack Qty	2
Oven Window	Yes
Oven Interior Height	15.0"
Oven Interior Width	20.0"
Oven Interior Depth	17.5"
Power Source	220V
Storage Compartment	Yes
Broiler Location	Inside Oven



SUMMIT APPLIANCE DIVISION FELIX STORCH, INC.

770 Garrison Avenue, Bronx, NY 10474 USA TEL 718-893-3900 FAX 844-478-8799

info@summitappliance.com

www.summitappliance.com