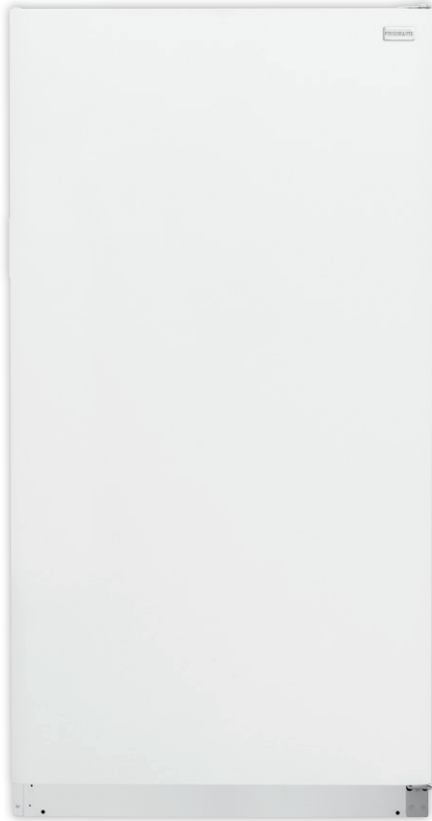


## Freezer

### FFFH17F1RW

Frost-Free  
16.6 Cu. Ft. Upright



#### Product Dimensions

Height	67-1/4"
Width	34"
Depth (Including Door)	28-1/2"

#### More Easy-To-Use Features

##### ENERGY STAR®-Qualified

Save money on your utility bills with ENERGY STAR®-Qualified appliances.

##### Adjustable Temperature Control

Select the correct temperature for your needs.

##### Removable Trivet

##### Pocket Handle Door



ENERGY STAR®

#### Available in:



White  
(W)

<sup>1</sup>Average cabinet temperature as tested per AHAM standard HRF-1-2007 Section 7.9 at 70 degrees with door remaining closed.

## Signature Features

### ArcticLock™ Thicker Walls

Keeps food frozen for over 2 days if there is a power outage.<sup>1</sup>

### Bright Lighting

Our bright lighting makes it easy to see what's inside.

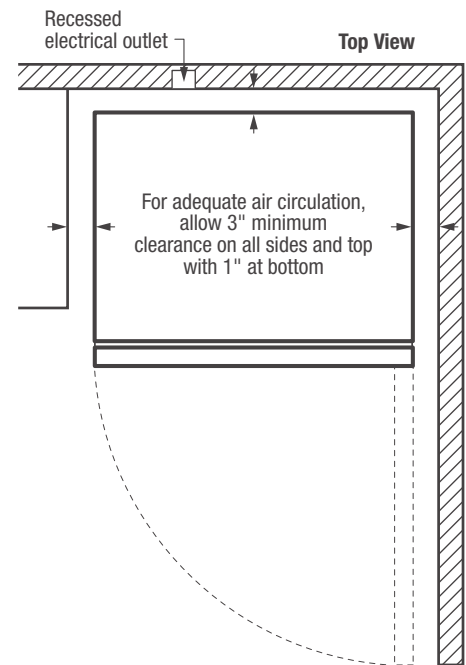
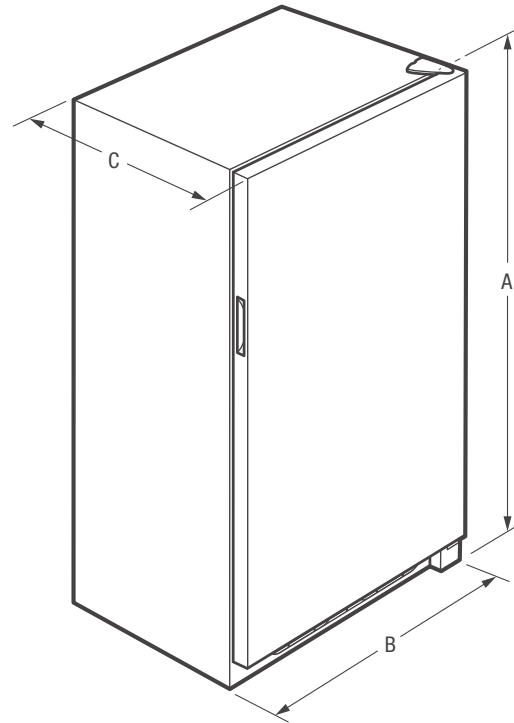
### Frost-Free Operation

Never defrost your freezer again so you can spend time on more important things.

### Built with American Pride

Appliances that are high-performing, more accessible, and more innovative than ever – designed, built, and engineered in the U.S.A.

Features	
Door Handle Design	Pocket
Reversible Door	
Automatic Door Closer	
Leveling Legs	Yes
Lock with Pop-Out Key	
Defrost	Frost-Free
Adjustable Temperature Control	Mechanical Dial
Front Digital Display	
Temp Display Mode	1-7
High-Temp Duration Readout	
High-Temp Alarm	
Door Ajar Alarm	
Airflow Ports	1
Interior Lighting	Bright
Full-Width Adjustable Shelves	3 Wire
Full-Width Fixed Shelves	
Removable Trivet	1
SpaceWise® Shelf Bookend	
Mid-Level Baskets	
Lower Storage Basket	
Basket Dividers	
Retractable Pizza Shelf	
Soft Freeze™ Zone	
SpaceWise® Adjustable Door Bins	
Full-Width Door Bins	
Store-More™ Tilt-Out Wire Door Bins	
Fixed Door Racks	5
Defrost Drain	
Power-On Light	
Certifications	
ENERGY STAR®	Yes
CSA Rating	Household
Specifications	
Total Capacity (Cu. Ft.)	16.63
Shelf Area (Sq. Ft.)	8.23
Annual Energy (kWH)	431
Annual Energy Cost (.12/ kWH)	\$52
Power Supply Connection Location	Lower Right Rear
Voltage Rating	115V, 60Hz
Connected Load (kW rating) @ 115 Volts <sup>1</sup>	0.6
Amps @ 115 Volts	5
Minimum Circuit Required (Amps)	15
Shipping Weight (Approx.)	190 Lbs.



<sup>1</sup>An electrical supply with grounded three-prong receptacle is required. The power supply circuit must be installed in accordance with current edition of National Electrical Code (NFPA 70) and local codes & ordinances.

NOTE: For planning purposes only. Always consult local and national electric codes. Refer to Product Installation Guide for detailed installation instructions on the web at [frigidaire.com](http://frigidaire.com).



Product Dimensions	
A - Height	67-1/4"
B - Width	34"
C - Depth (Including Door)	28-1/2"
Depth with Door Open 90°	60-3/8"

Accessories information available on the web at [frigidaire.com](http://frigidaire.com)