

SWC546LBI

33.0" x 23.63" x 22.5" (H x W x D)

46-bottle dual zone built-in wine cellar with digital thermostat, glass door, and black cabinet

Highlights:

Chill white and sparkling wine while preserving red in two distinct temperature zones

Easy temperature management with a digital thermostat

Flexible design allows built-in or freestanding use in any 24" space

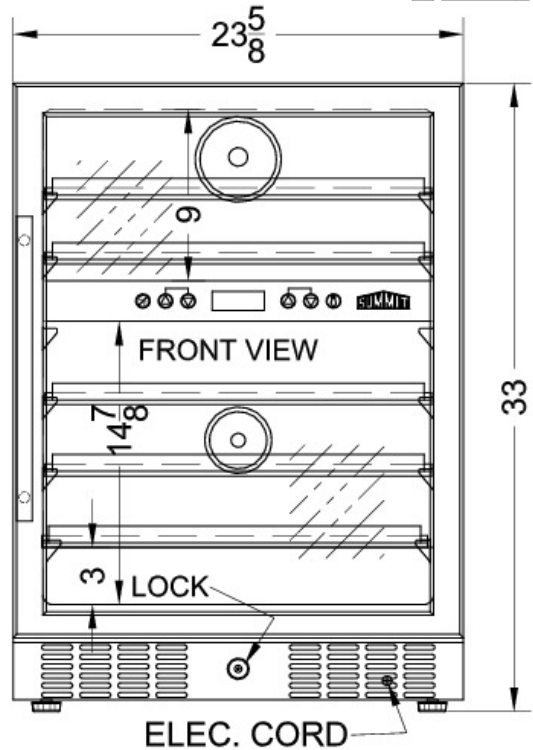
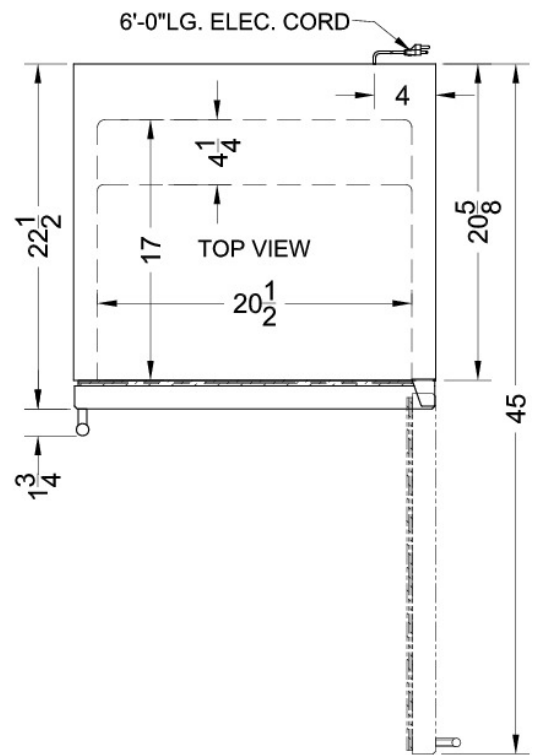
Factory installed lock provides security you can count on



Built-in capable	Make the best use of space by installing your appliance under the counter
Fully finished black cabinet	Allows the unit to be used freestanding
Digital thermostat	Set and adjust two temperature zones separately with easy-to-use digital controls and digital displays
Two temperature zones	Lower zone for reds has a temperature range of 50° F to 64° F; Upper zone stores whites and sparkling wine between 40° F and 50° F
Automatic defrost	Reduced maintenance with auto defrost system
Slide-out wooden shelving	Ideal for holding your bottles
Stainless steel door frame	Classic trim for a refined look
Glass door	Provides a full display of your collection
Recessed LED lighting	Elegant and efficient lighting for both temperature zones
Factory installed lock	Keyed lock for secure interior

SWC546LBI Specifications:

Height	33.0"
Width	23.63"
Depth	22.5"
Capacity	5.3 cu.ft.
Ext Depth with Handle	24.25"
Interior Height 1	9.0"
Interior Width 1	20.5"
Interior Depth 1	17.0"
Interior Height 2	14.88"
Interior Width 2	20.5"
Interior Depth 2	17.0"
Comp Step Height	3.0"
Comp Step Width	20.5"
Comp Step Depth	4.25"
Shipping Weight	115.0 lbs.
Weight	105.0 lbs.
US Electrical Safety	ETL
Voltage/Frequency	115 V AC/60 Hz
Canadian Electrical Safety	ETL-C
Amps	2.0
Reversible	Yes
Door Swing	RHD
Shelf Quantity	5
Shelf Type	Wood
Wine Bottle Holder	true
Defrost Type	Automatic
Depth with door at 90°	45.0"
Thermostat Type	Digital
Light	true
Fan Type	Interior and Exterior
Level Legs Quantity	2
Freon Oz	1.76
Refrigerant Type	R134a
Compressor Warranty	5 Years
Parts/Labor Warranty	1 Year



Summit Appliance Division, Felix Storch, Inc.
 770 Garrison Ave • Bronx, NY 10474
 Phone: 718-893-3900 • Fax: 718-842-3093
 Email: info@summitappliance.com